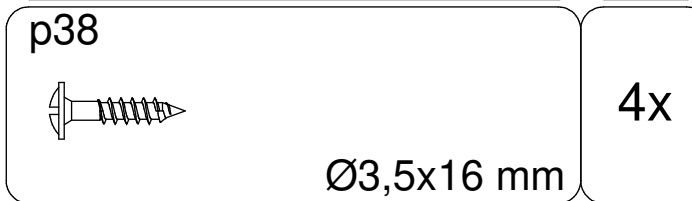
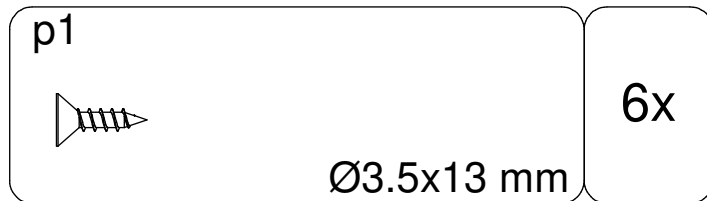
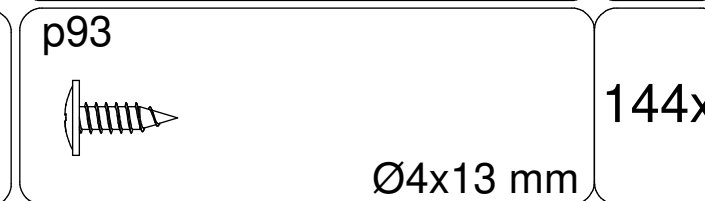
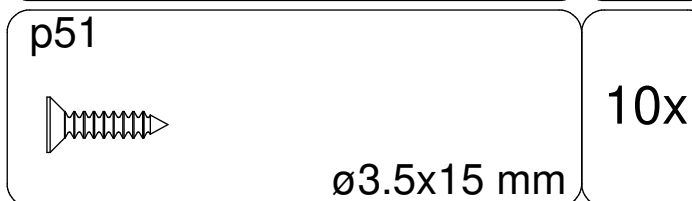
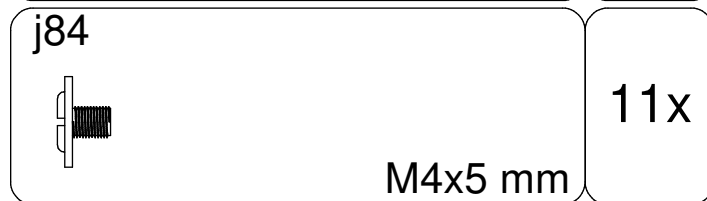
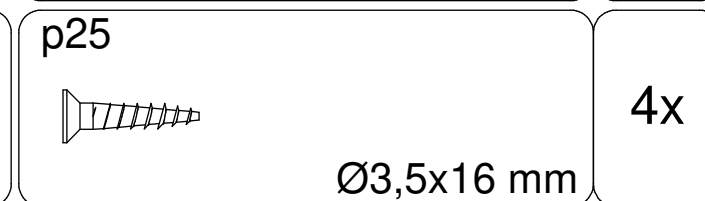
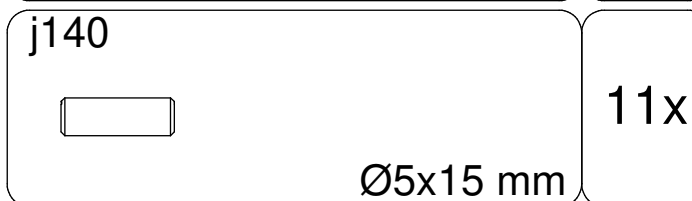
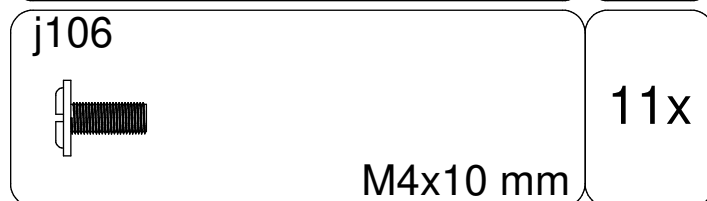
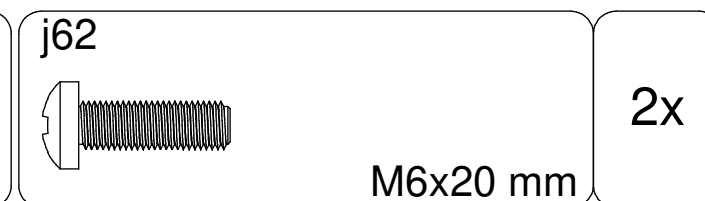
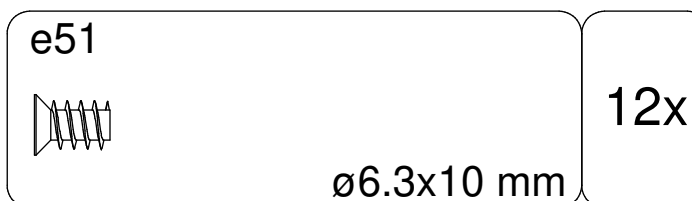
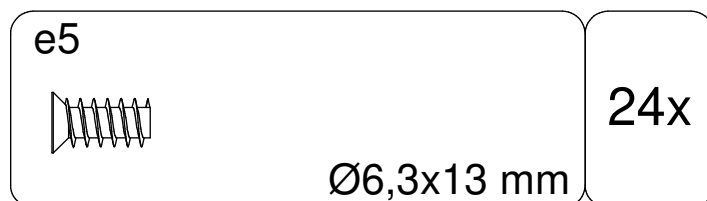
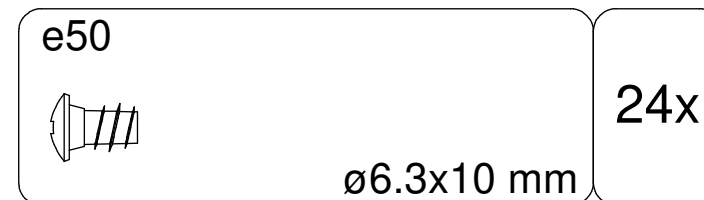
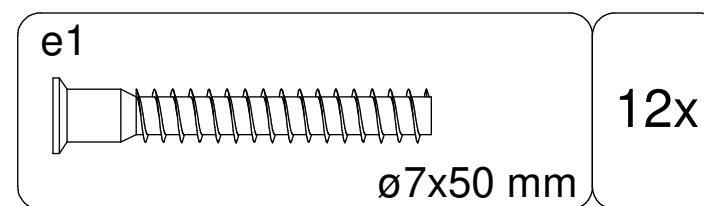
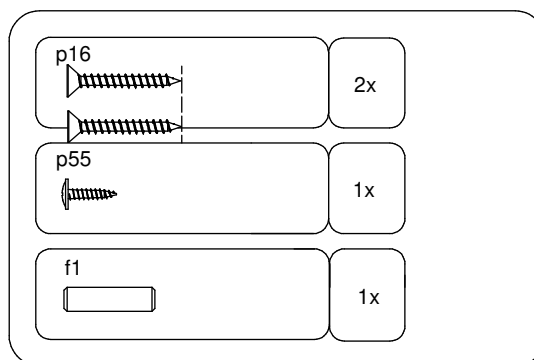
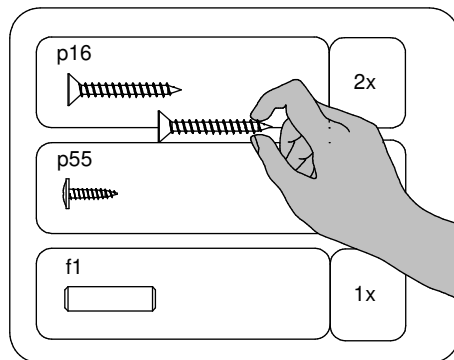
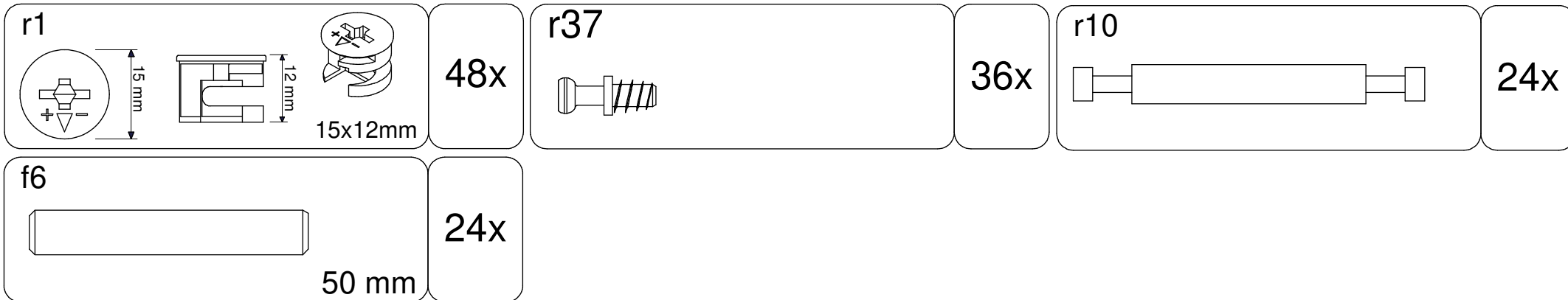
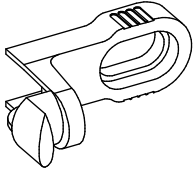
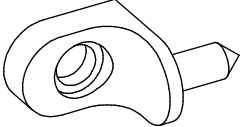
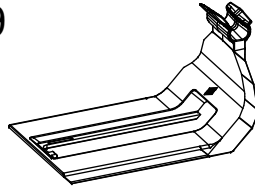
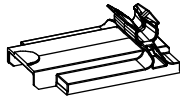

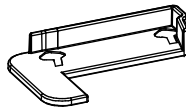
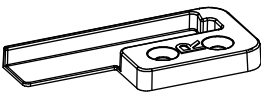
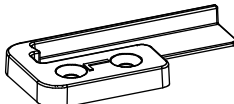

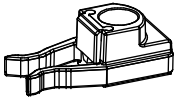
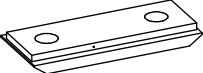
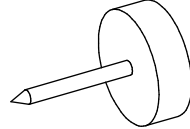
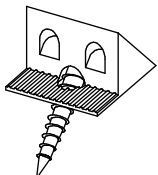
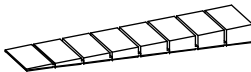
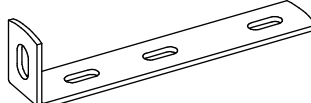
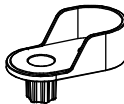
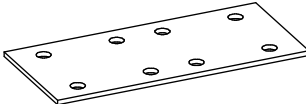
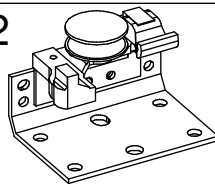


**1:1**

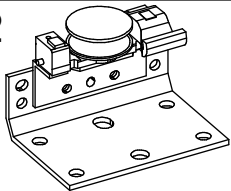
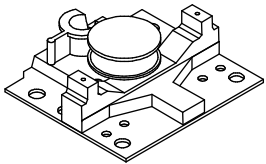
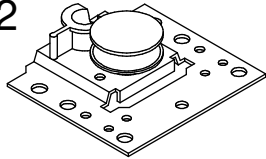
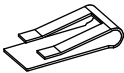
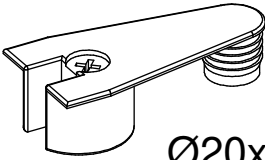
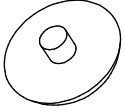

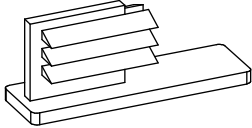
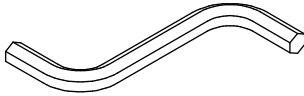
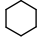
1:1



~~1:1~~

d20 	24x	d28 	12x	f69 	2x
f70 	2x	f71 	1x	f72 	1x
f73 	1x	f74 	1x	f75 	2x
f76 	2x	f77 	4x	k1 	20x
l2 	30x	l63 	8x	n14\2 	2x
n158 	6x	n180 	12x	n238\2 	1x


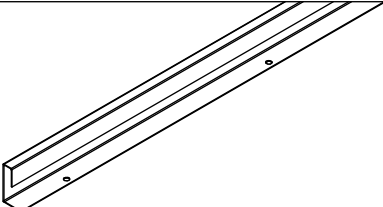

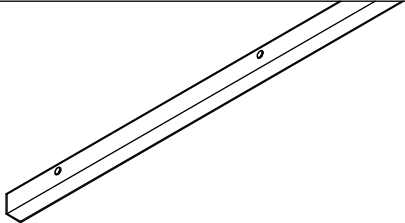
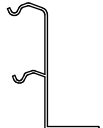
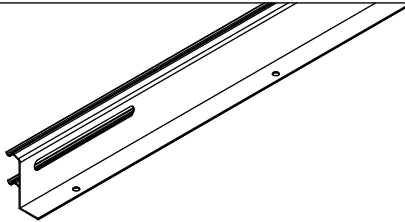

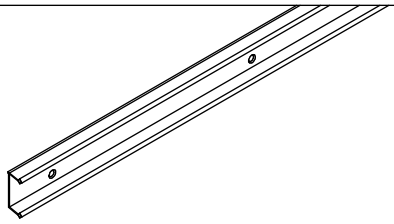

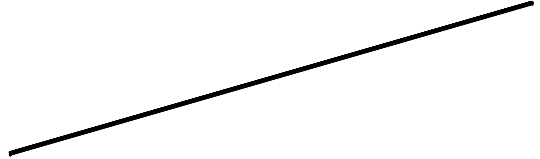
~~1:1~~

n239\2 	1x	n240 	1x	n241\2 	1x
n218 	6x	r54  $\text{Ø}20 \times 12,5 \text{ mm}$	36x	s1  $\text{Ø}12 \text{ mm}$	12x
s113  $35 \times 9 \text{ mm}$	2x	w180\1  $37.5 \times 11 \times 2 \text{ mm}$	3x	z1   4 mm	1x

~~1:1~~

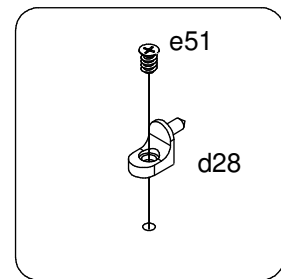
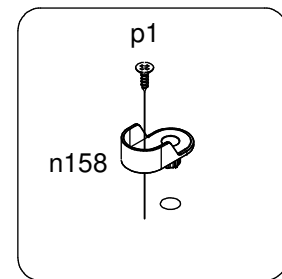
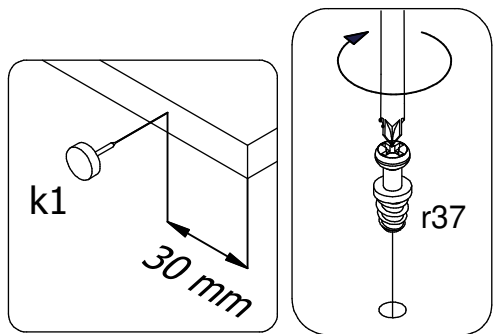
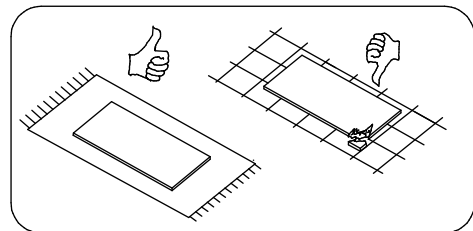
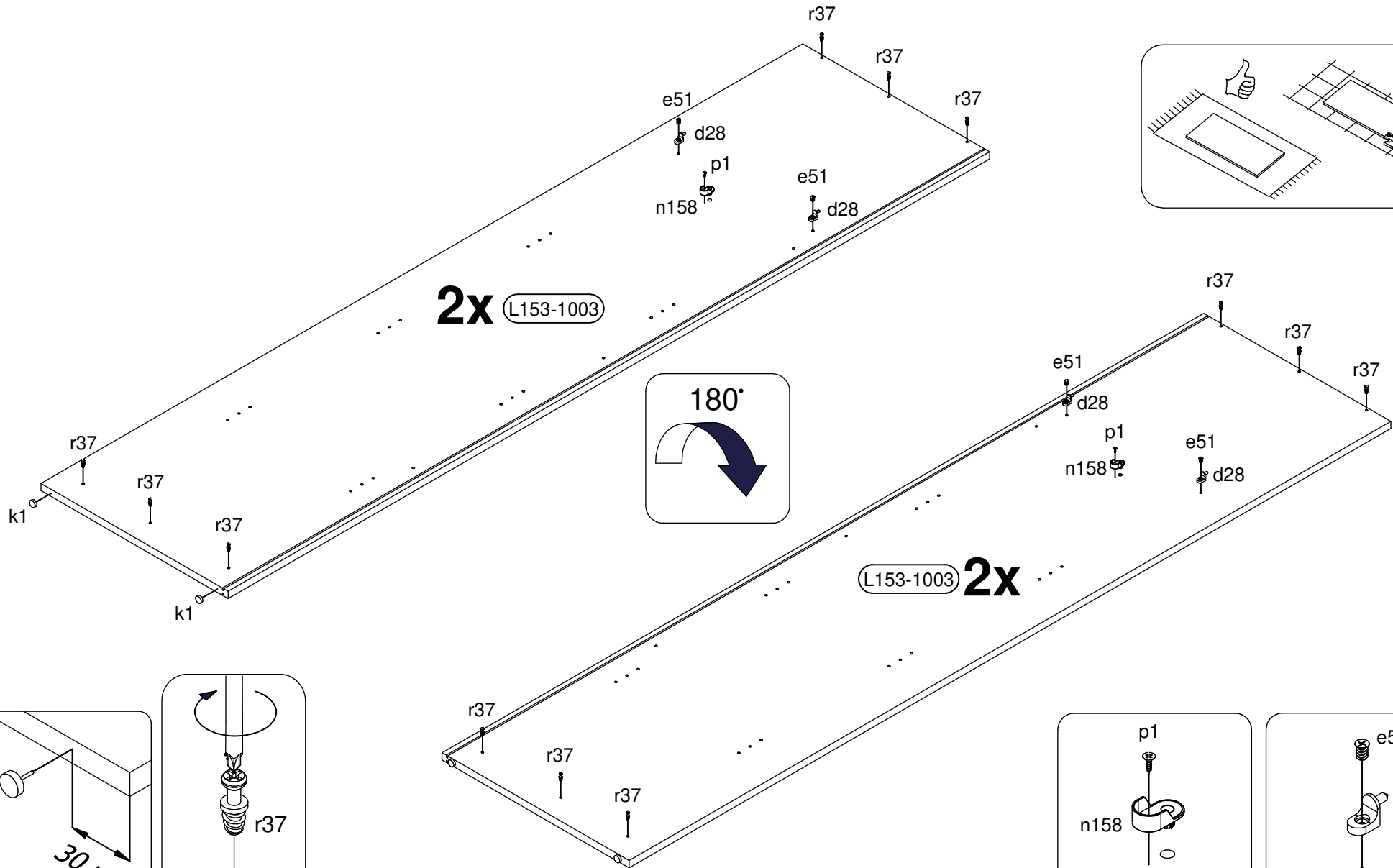
D-7/7



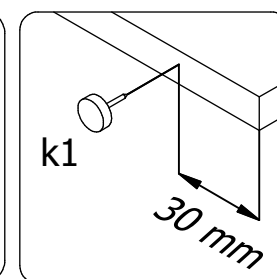
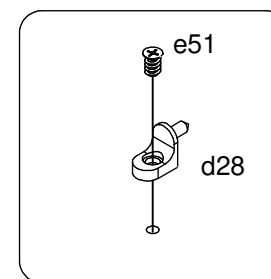
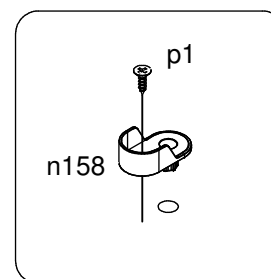
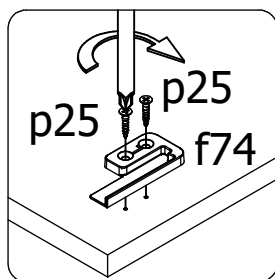
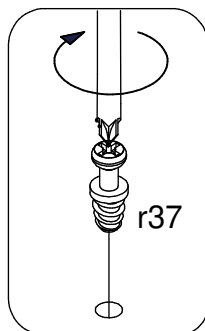
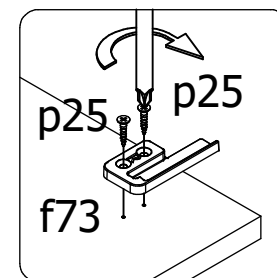
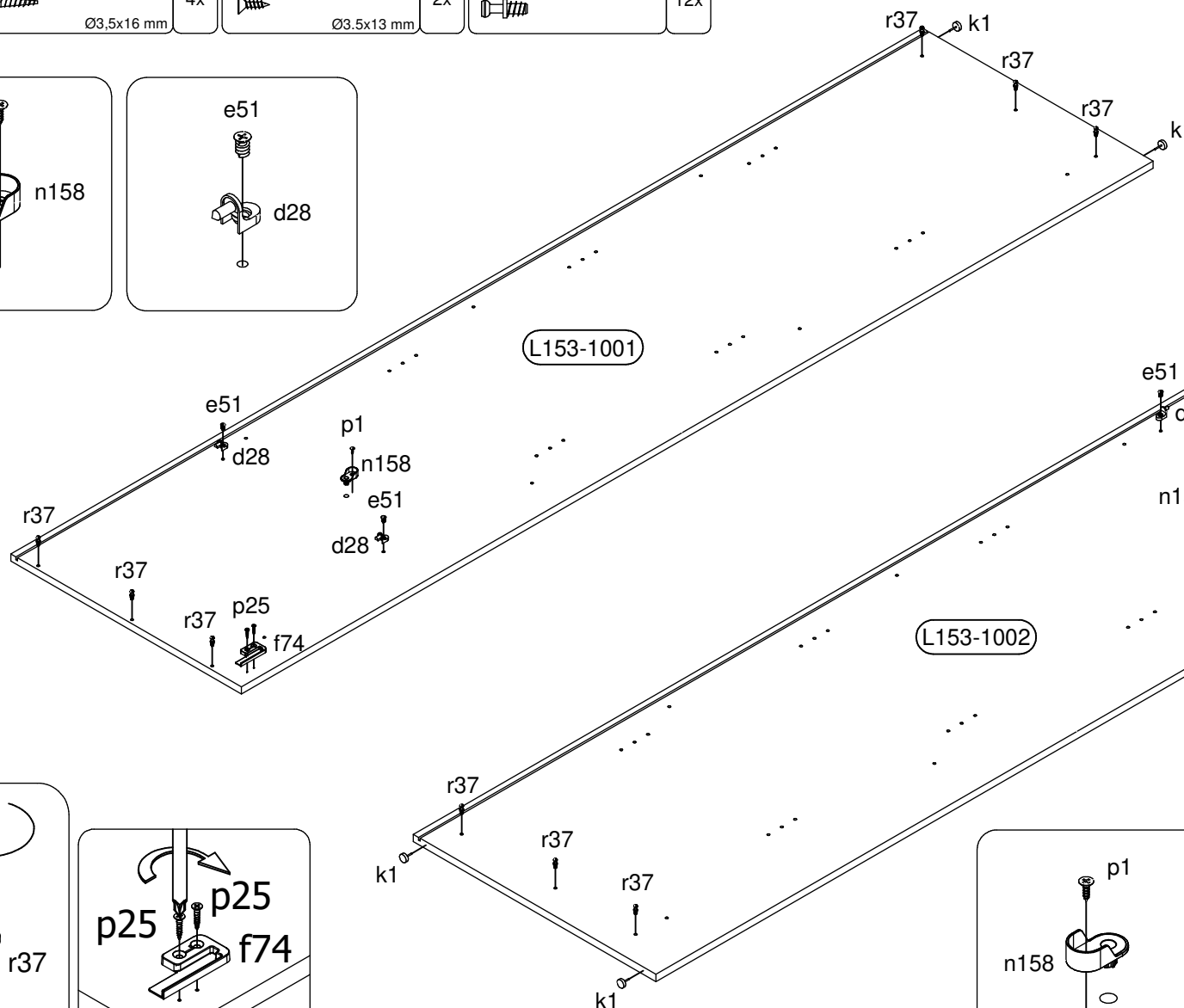
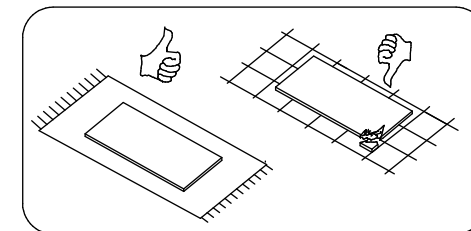
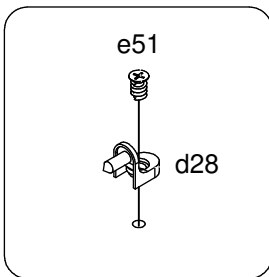
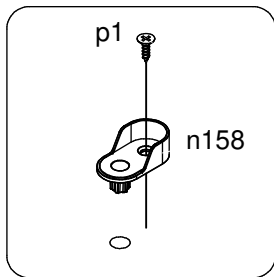
w172\5			L-2130 mm	3x
w118\8			L-2130 mm	1x
w249\1			L-2668 mm	1x
w250\1			L-2664 mm	1x
sp_2130			L-2130 mm	3x





- 1 d28
- 4x e51
- 4x k1
- 2x n158
- 4x p1
- 4x r37
- 12x

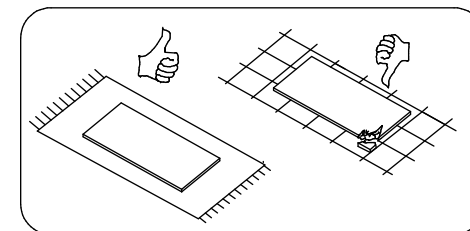
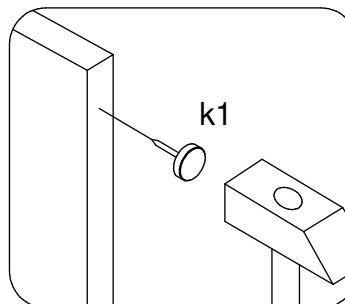
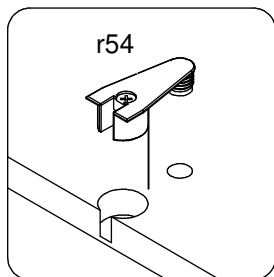
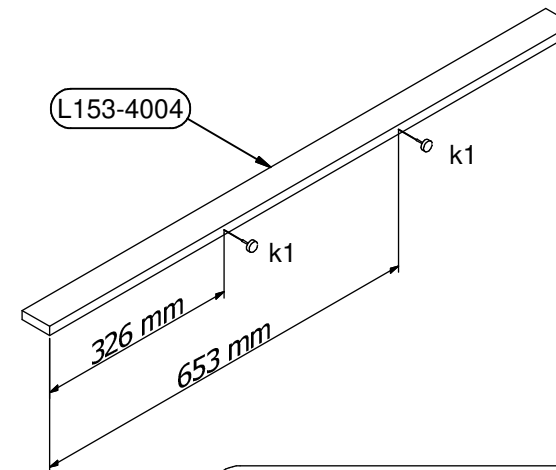
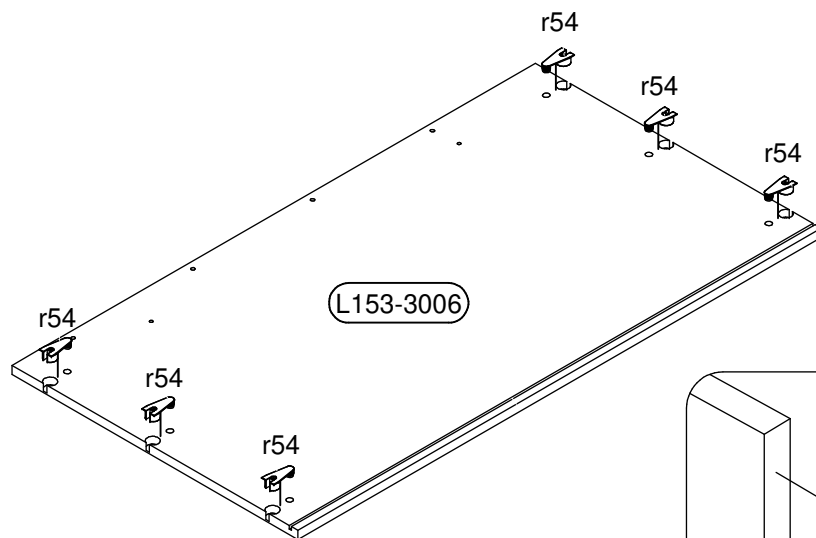
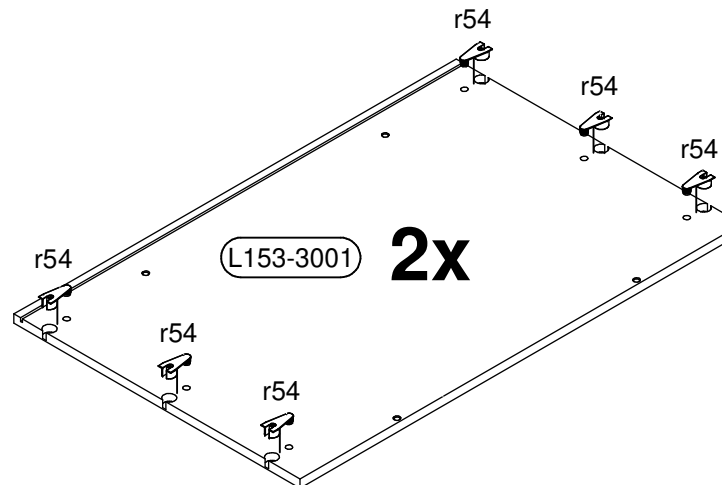
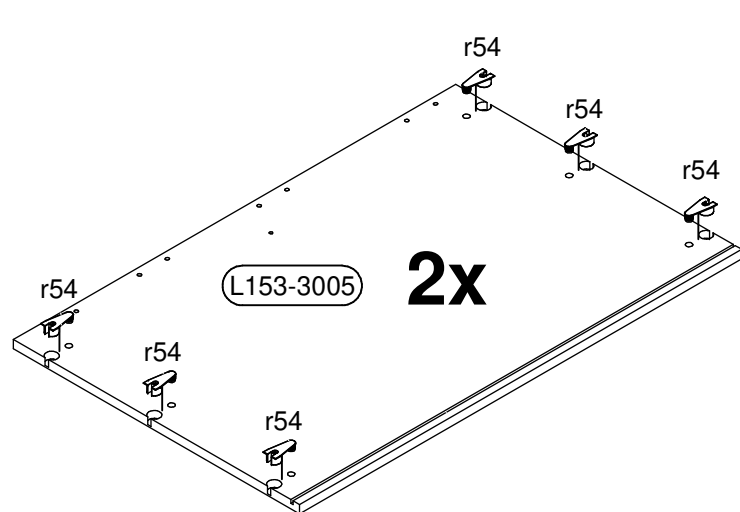


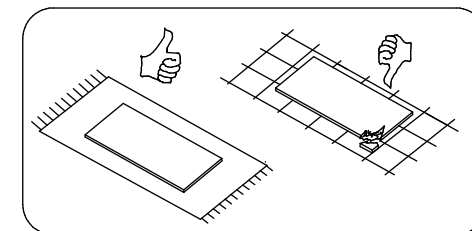
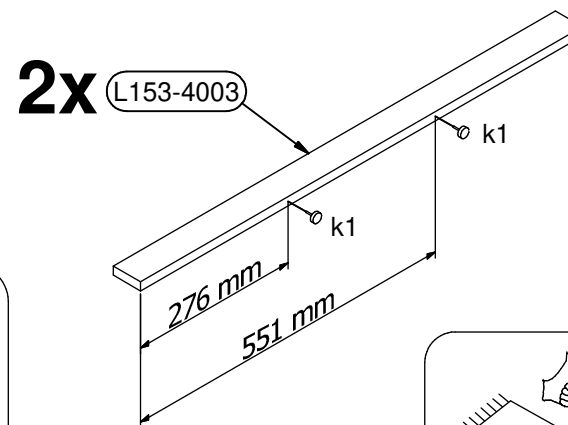
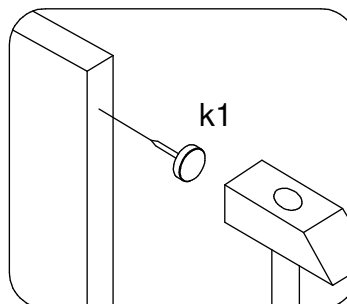
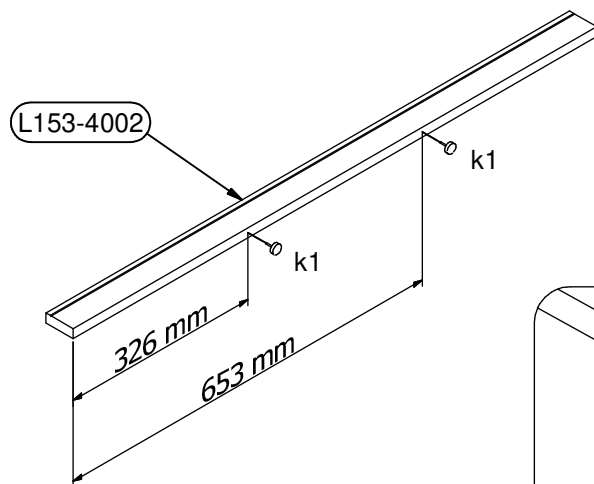
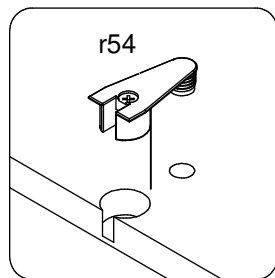
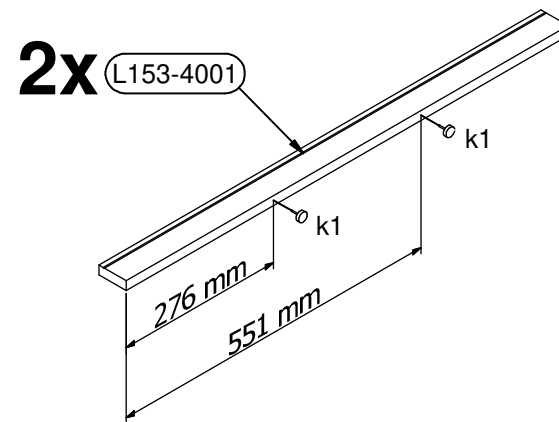
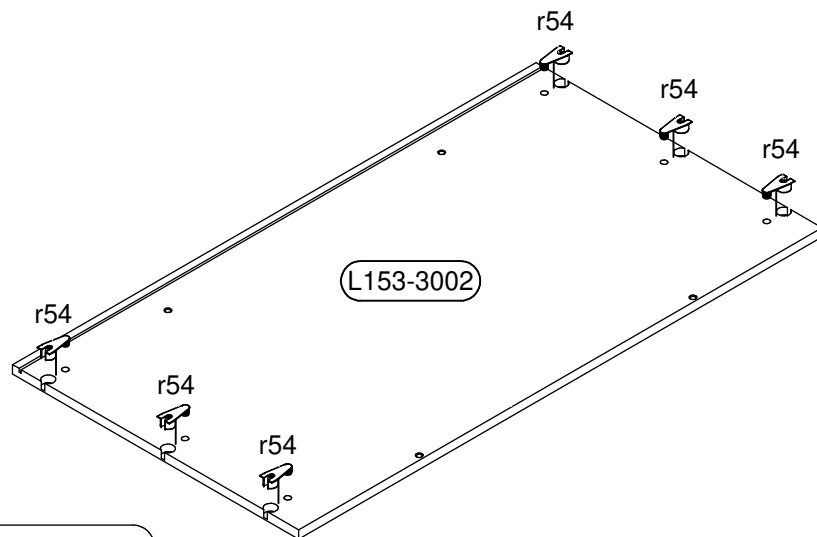
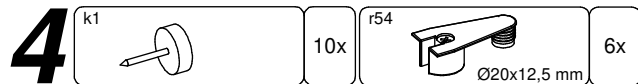
2	d28	4x	e51	4x	f73	1x	f74	1x	k1	4x	n158	2x
	p25	4x	p1	2x	r37	12x						
	Ø3,5x16 mm		Ø6.3x10 mm		Ø3.5x13 mm							

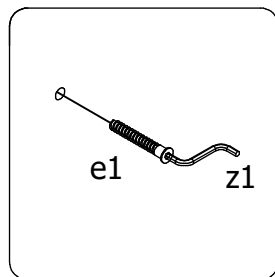
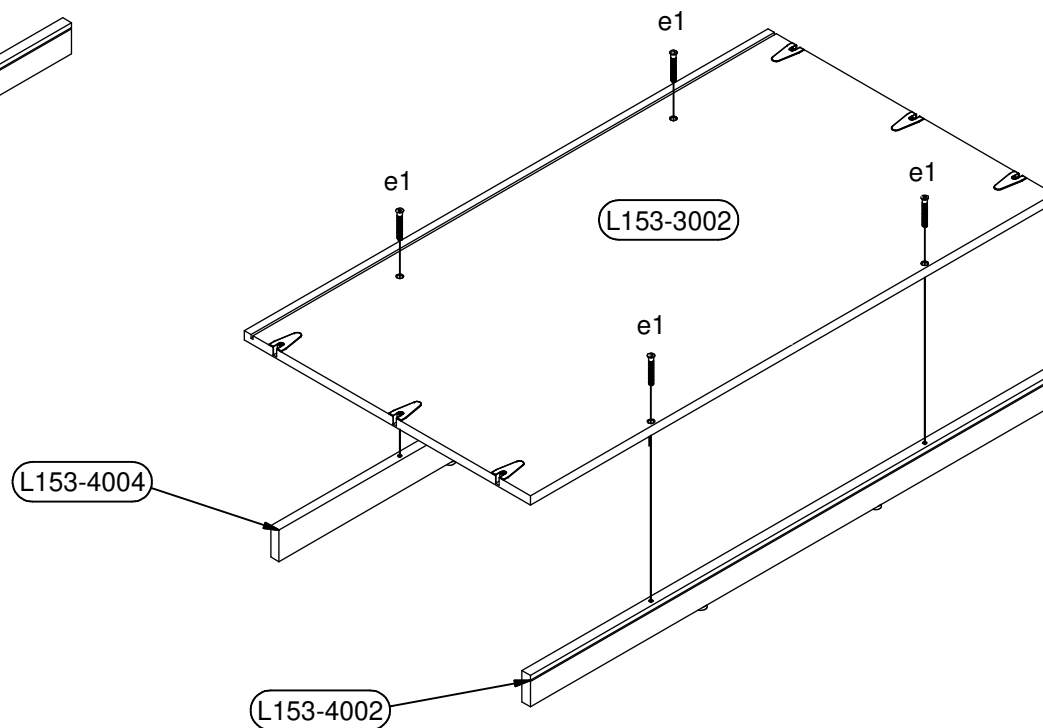
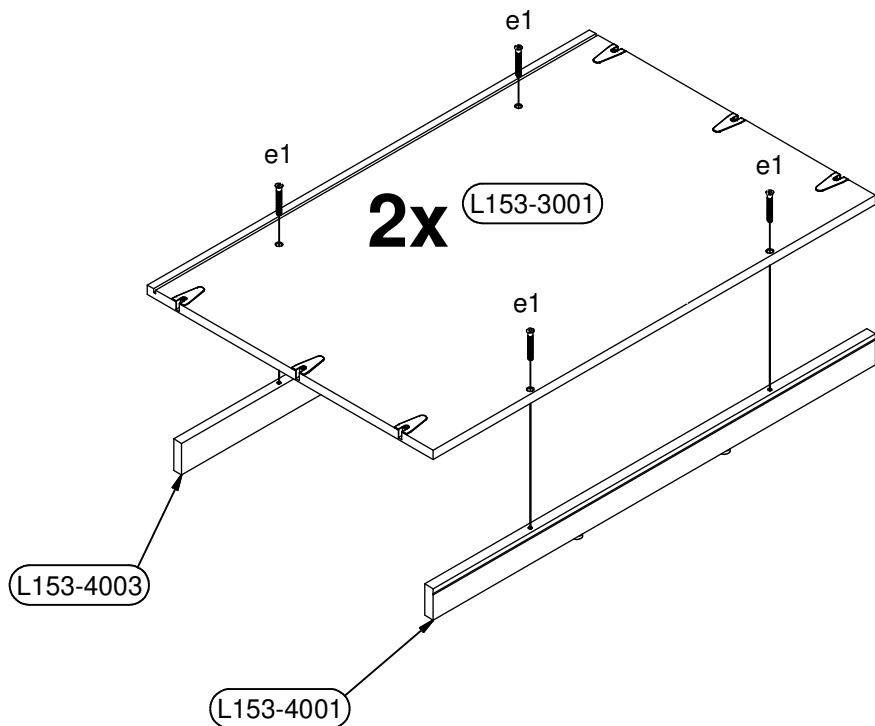
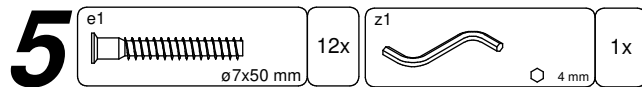


**3**

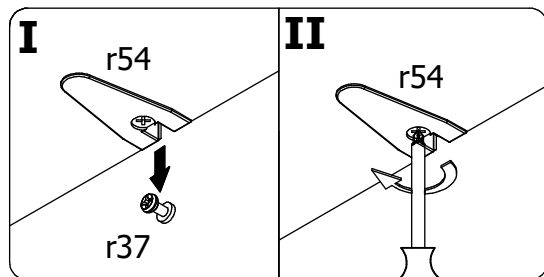
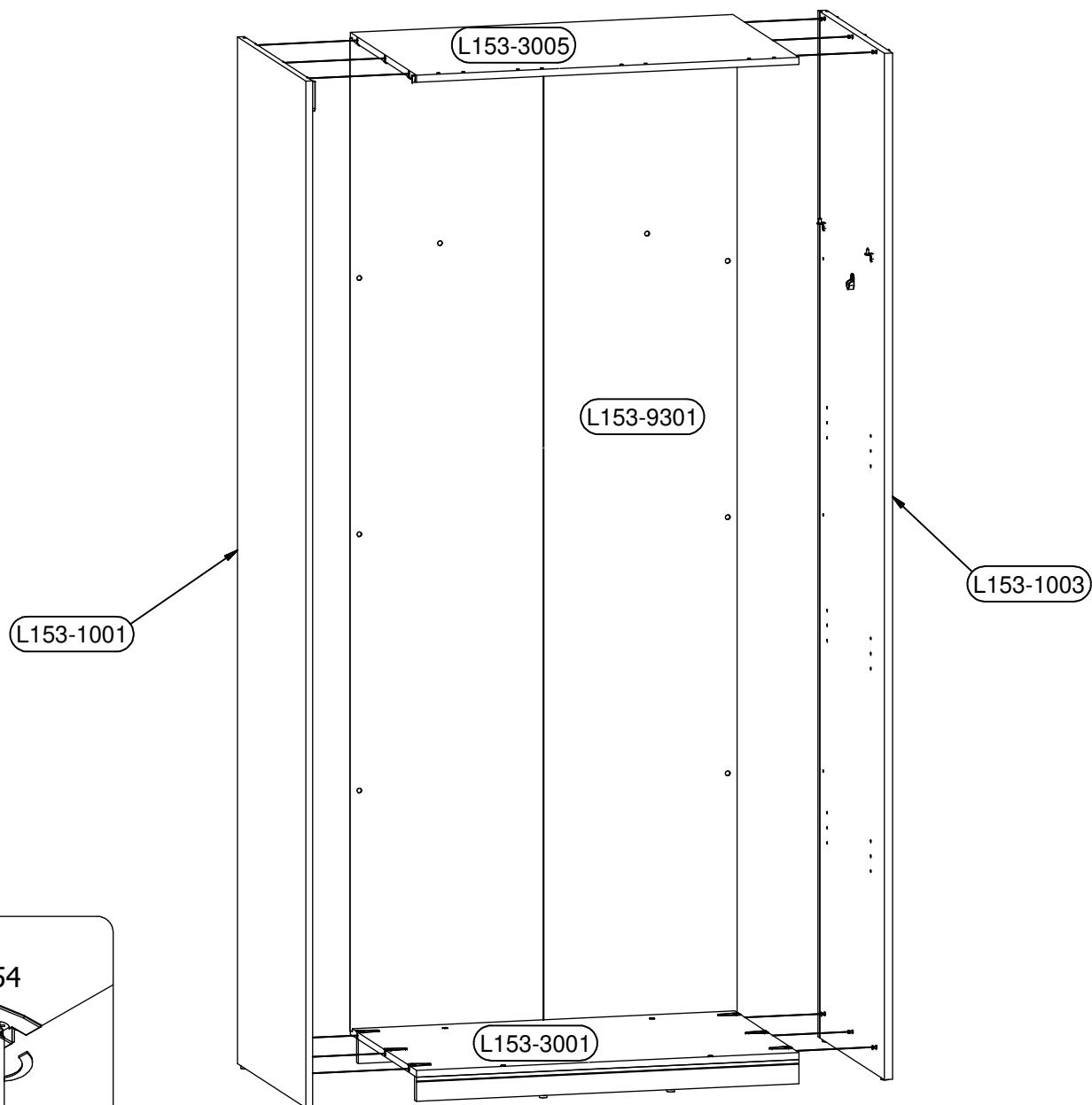
k1		2x	r54		30x
				Ø20x12,5 mm	



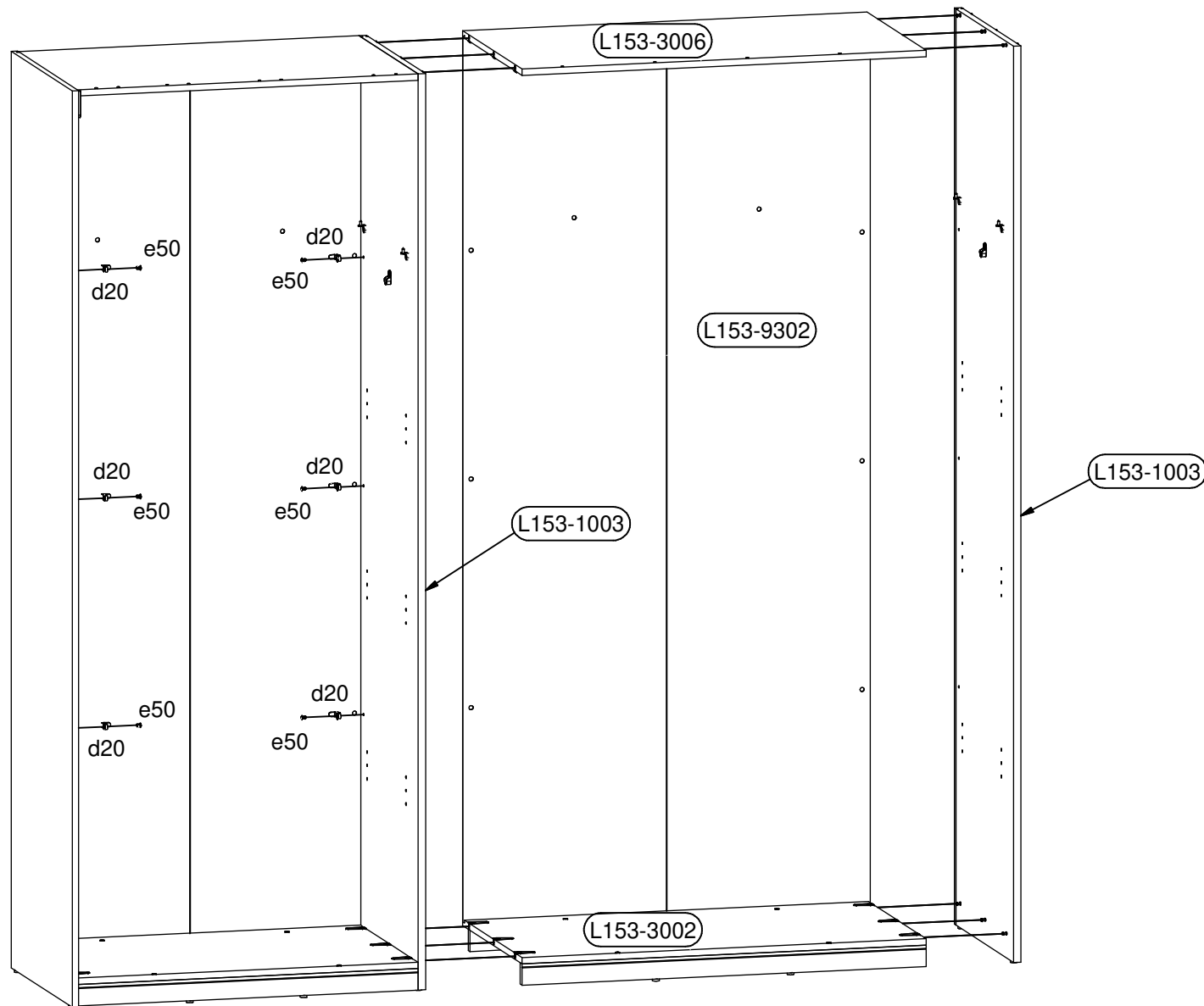
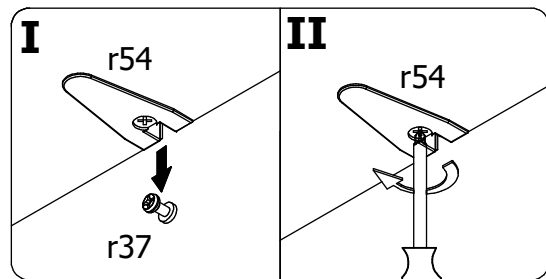
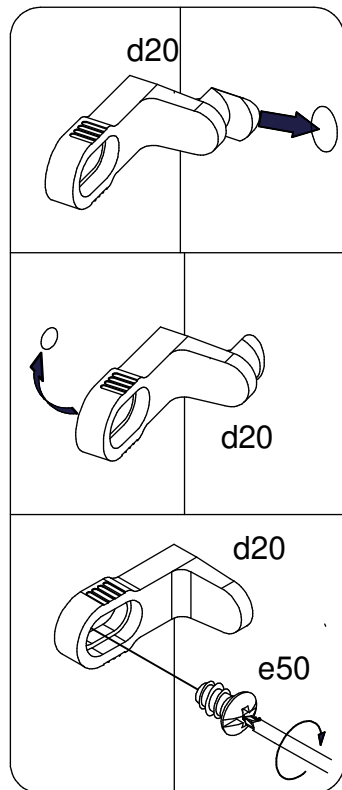




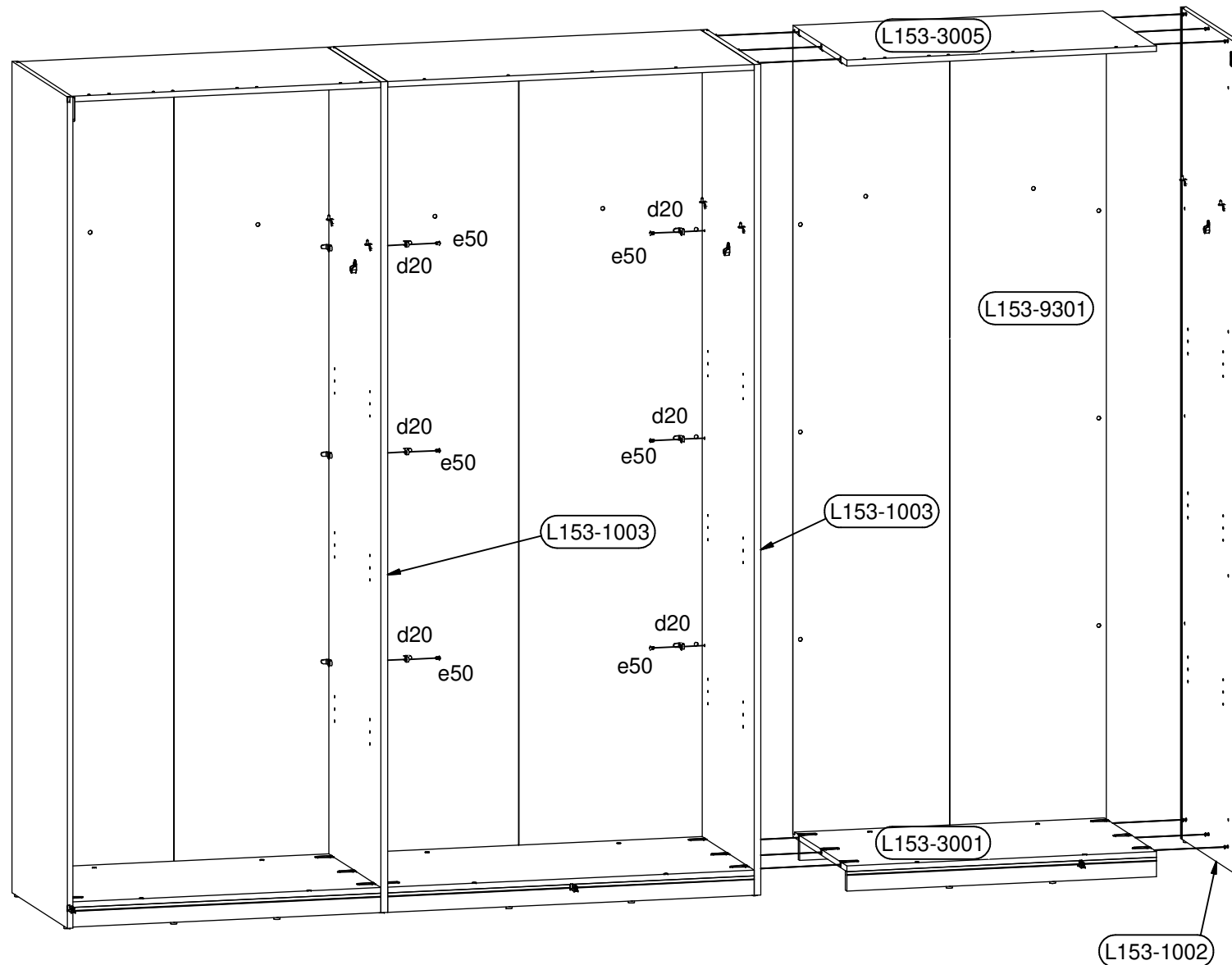
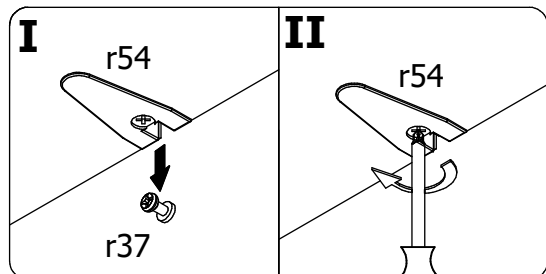
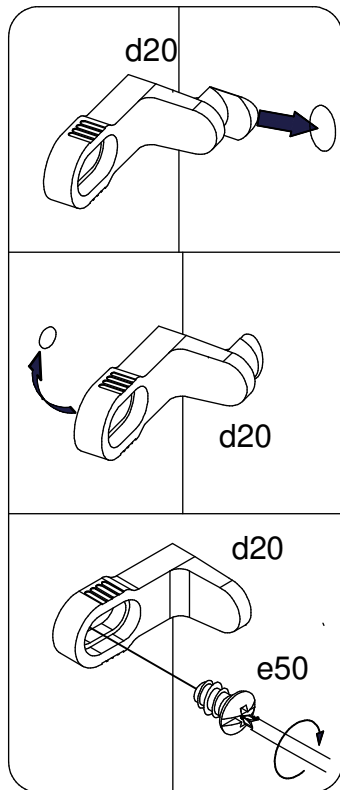
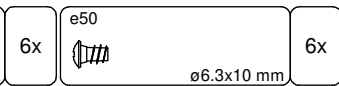
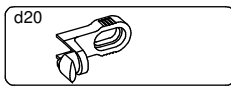
6



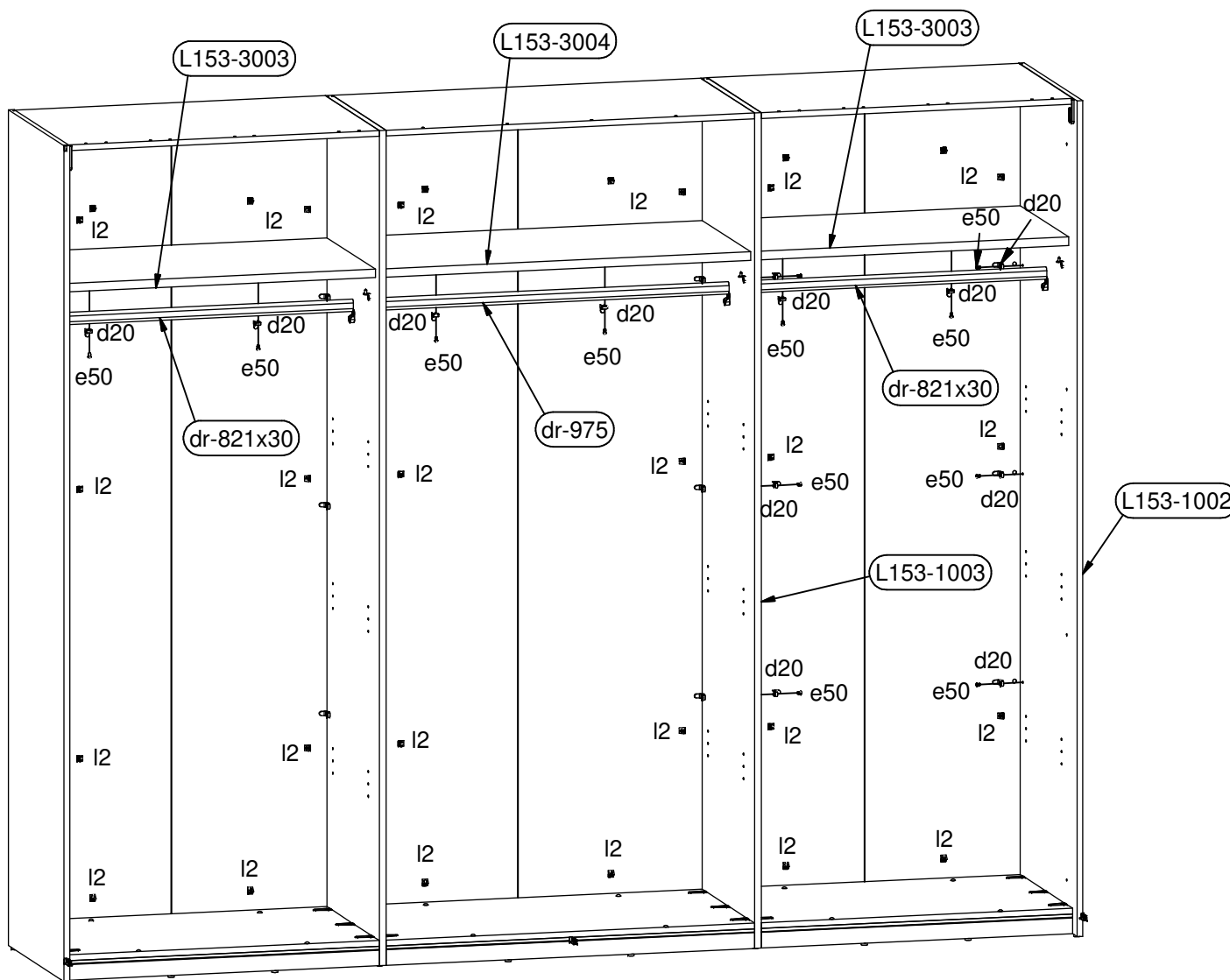
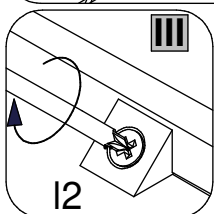
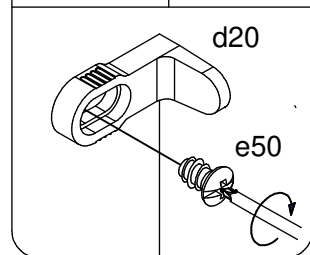
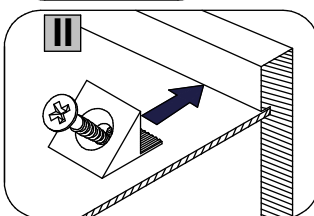
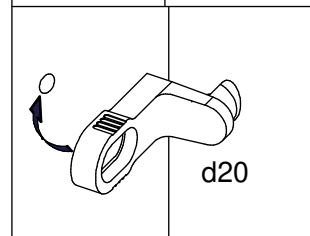
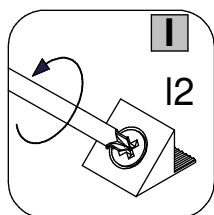
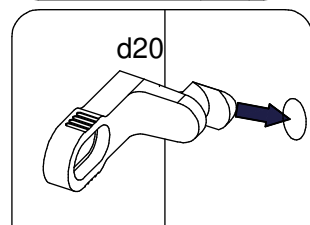
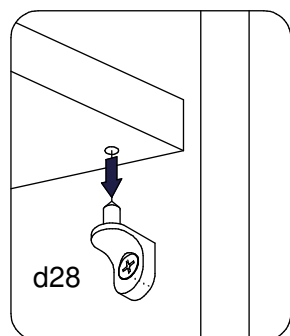
7 d20 6x e50 ø6.3x10 mm 6x



8

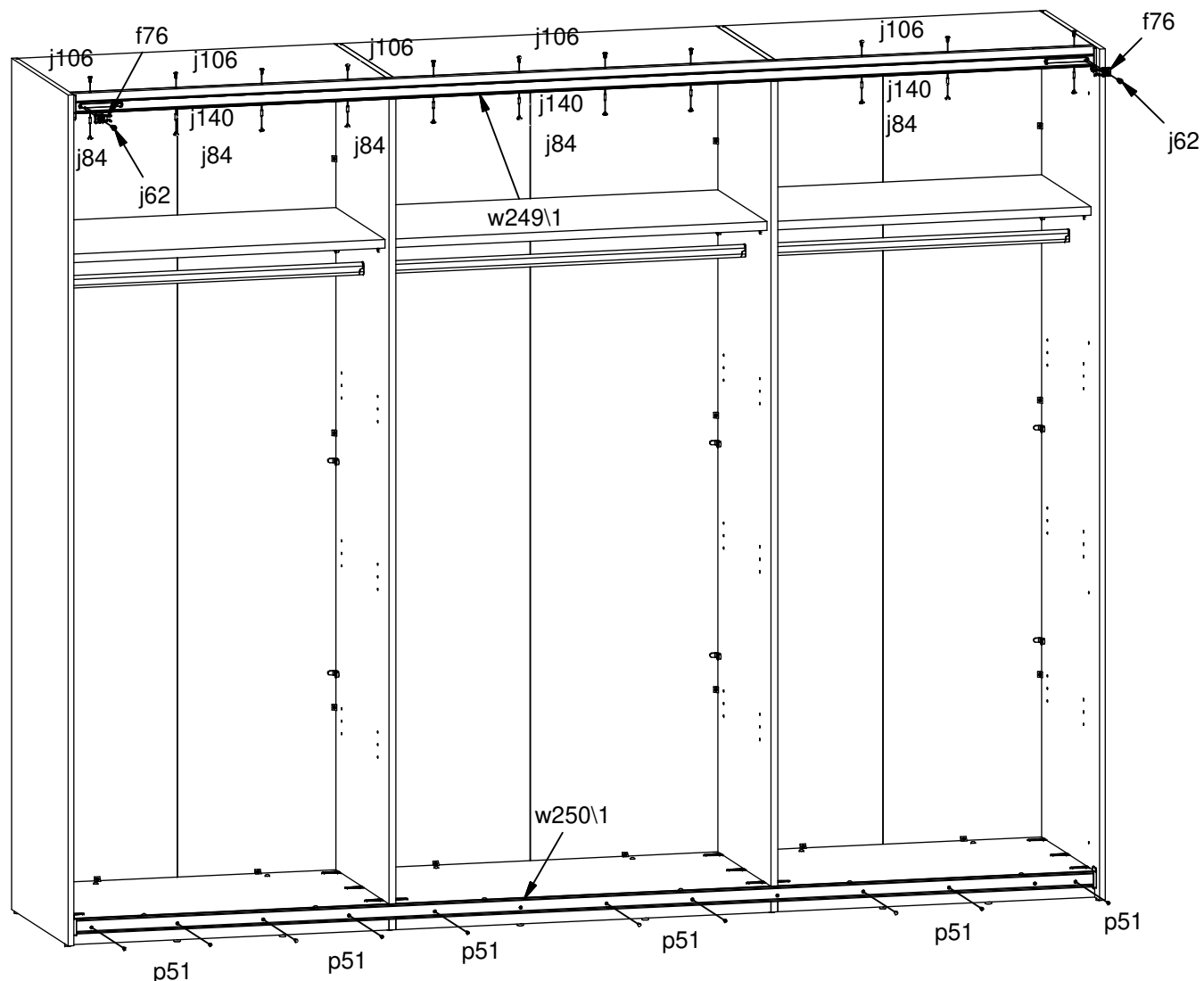
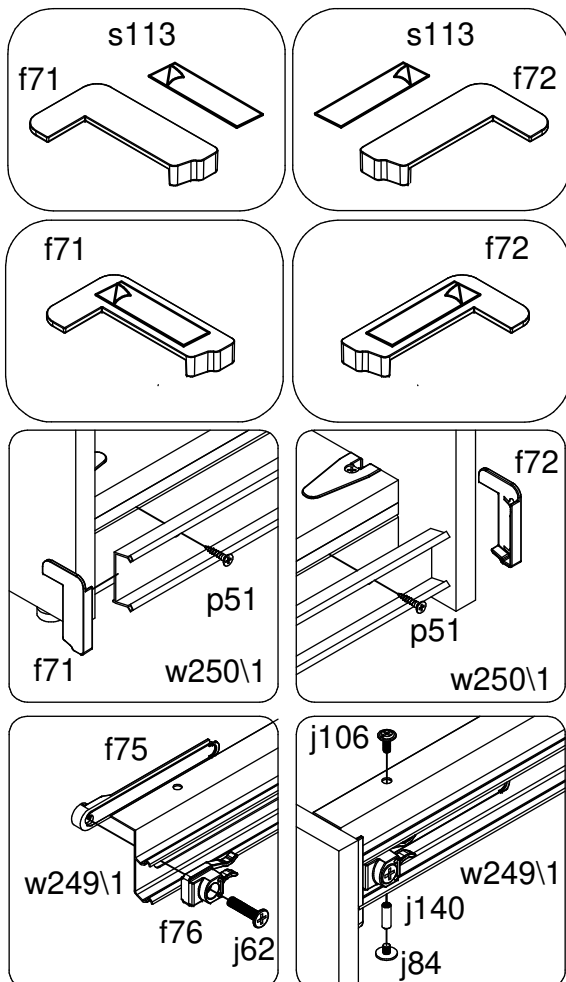


9	d20	12x	e50	12x	12	30x
		ø6.3x10 mm				



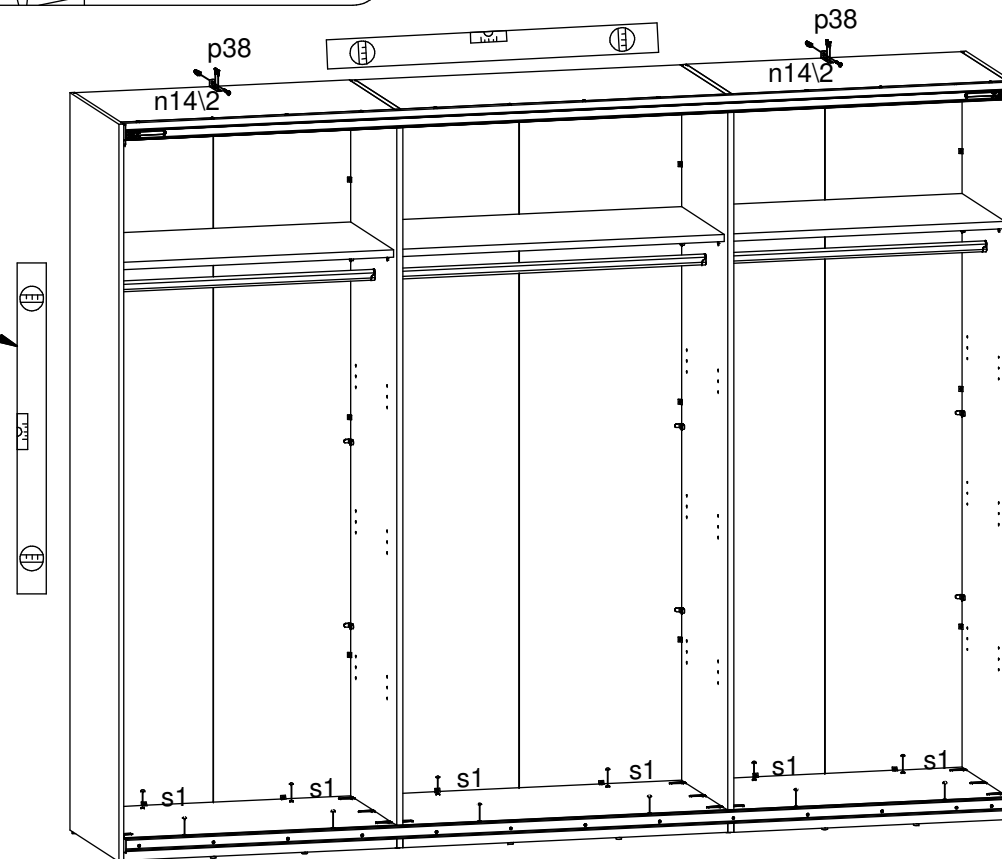
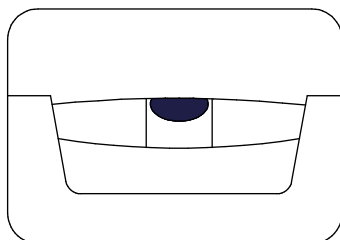
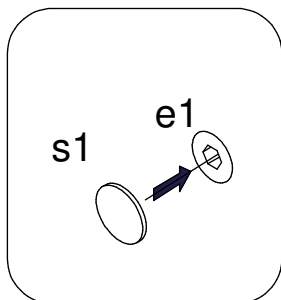
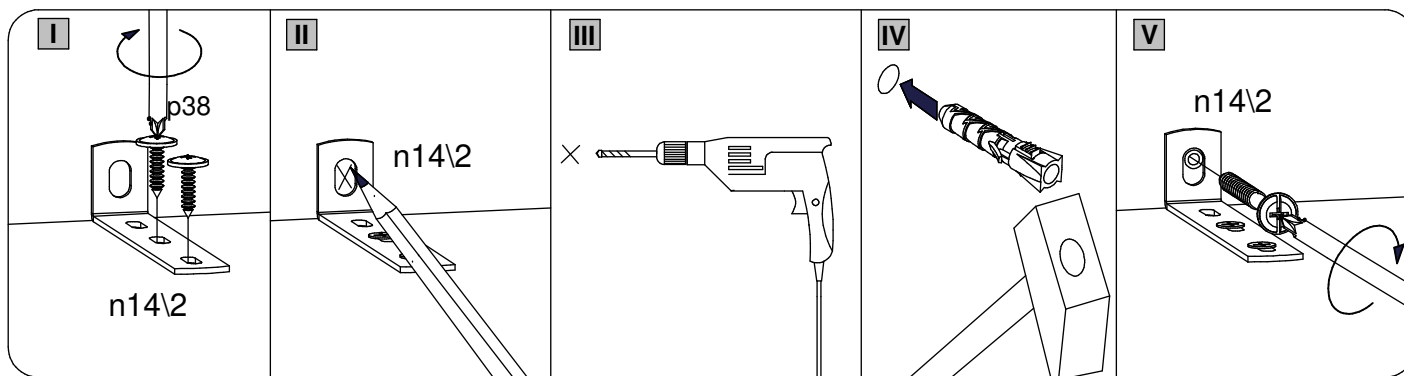
10

f71  1x	f72  1x	f75  2x	f76  2x	j106  M4x10 mm 11x	j140  Ø5x15 mm 11x
j84  M4x5 mm 11x	j62  M6x20 mm 2x	p51  ø3.5x15 mm 10x	s113  35x9 mm 2x		

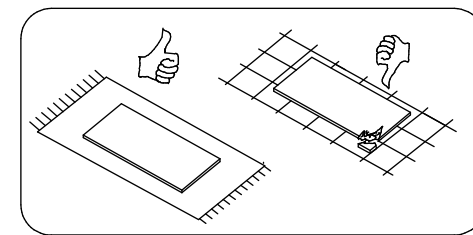
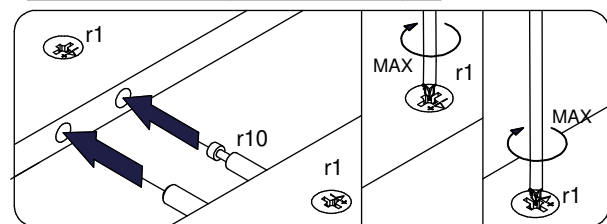
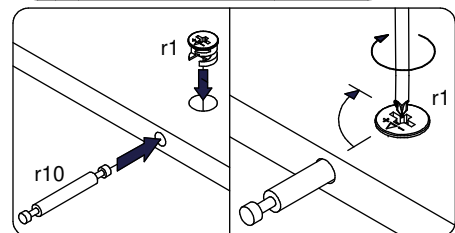
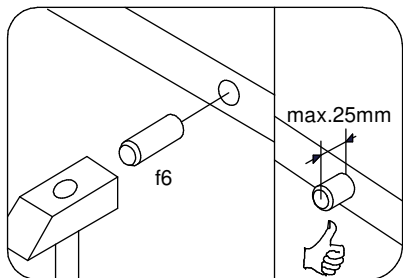
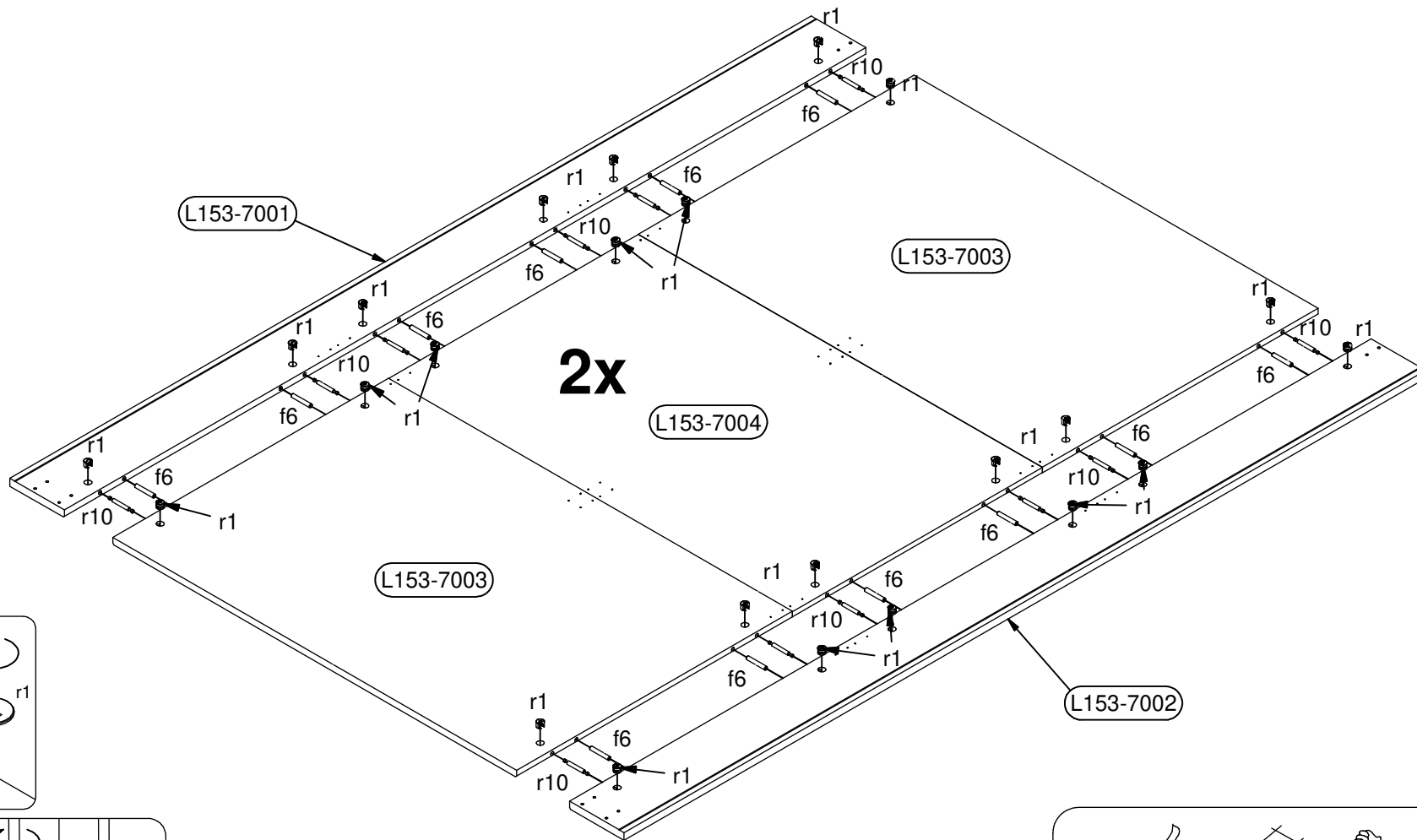
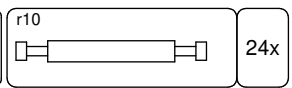
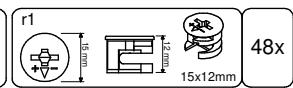
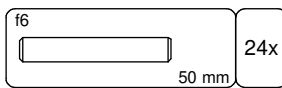


11

- 163 8x
- n14\2 2x
- p38 4x
- s1 12x
- Ø3,5x16 mm
- Ø12mm

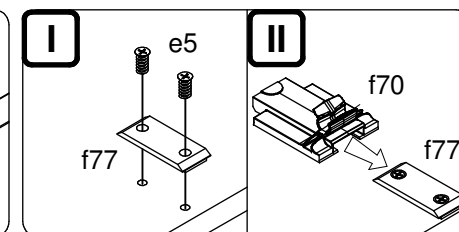
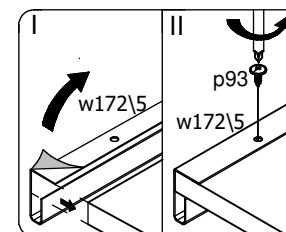
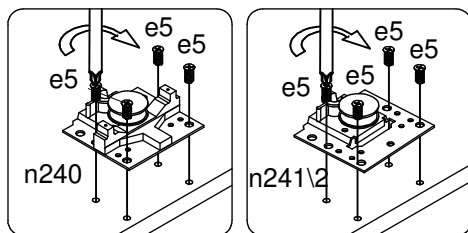
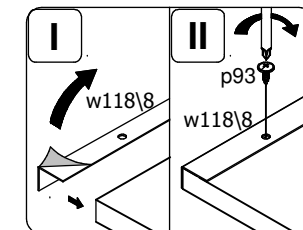
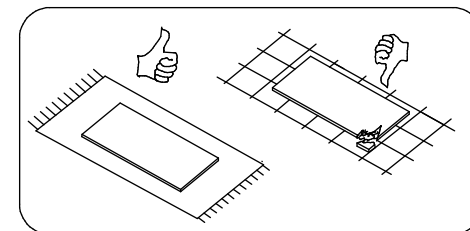
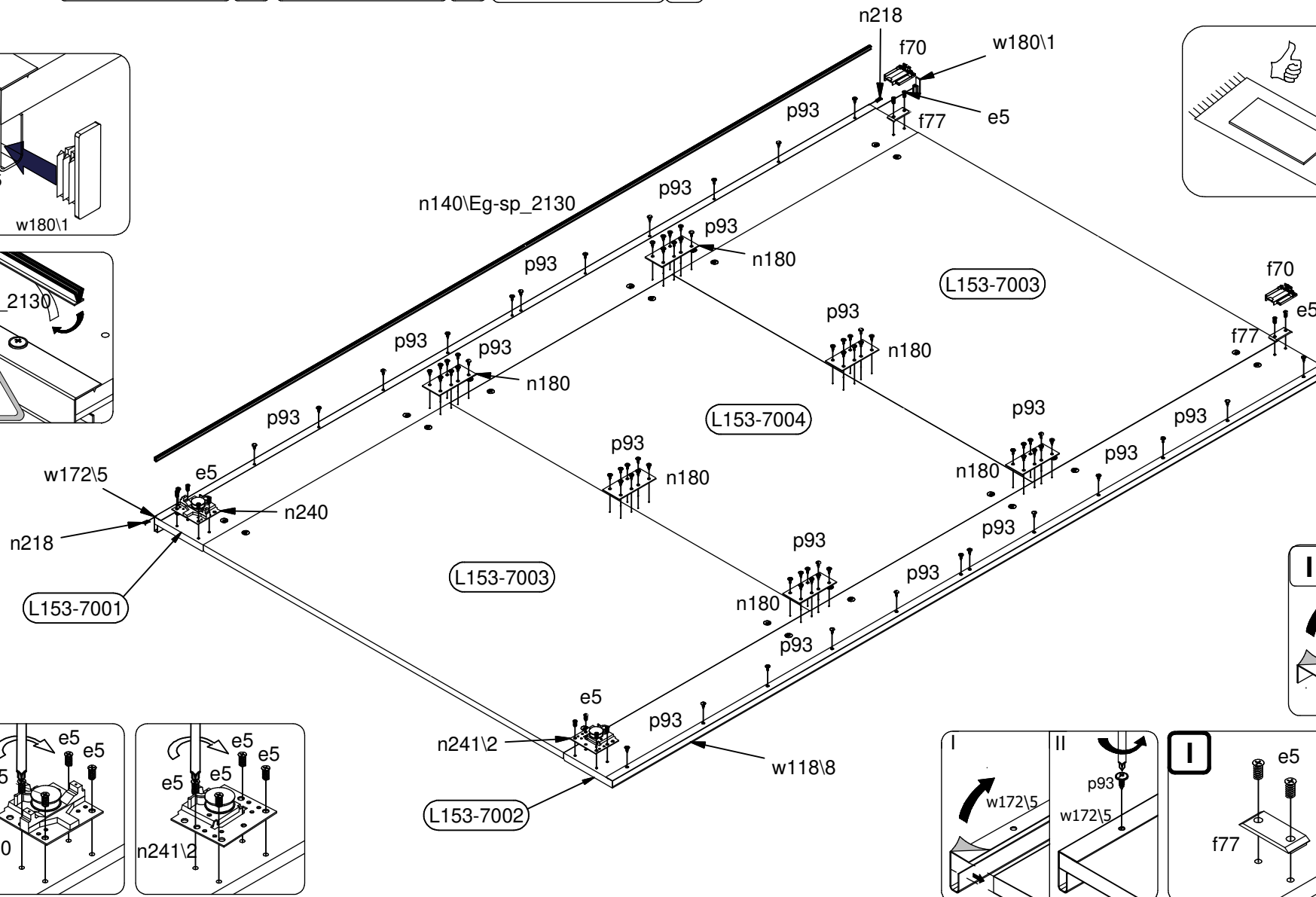
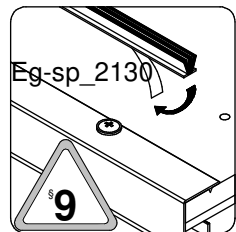
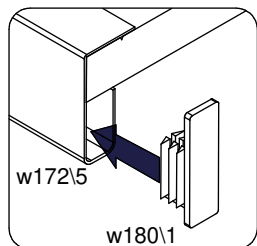


12

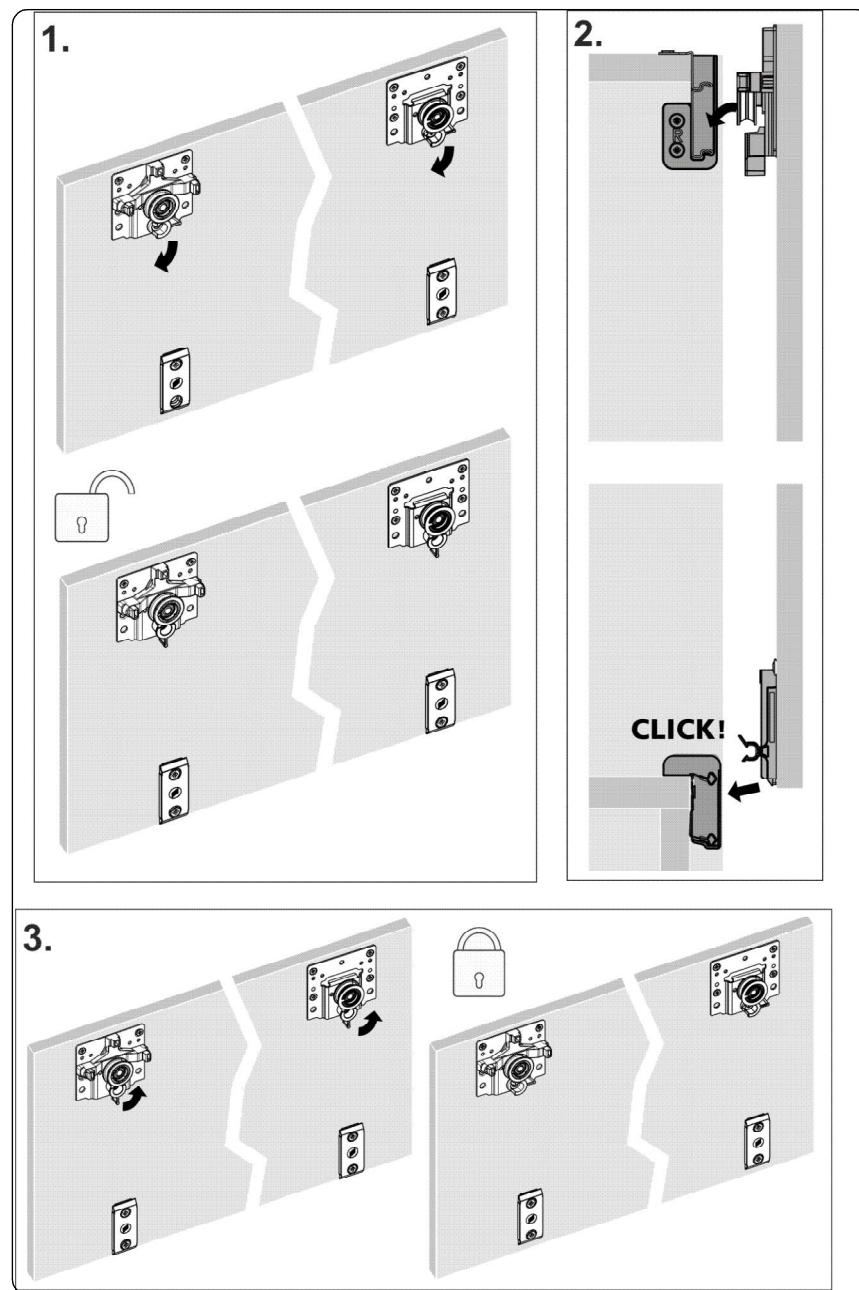
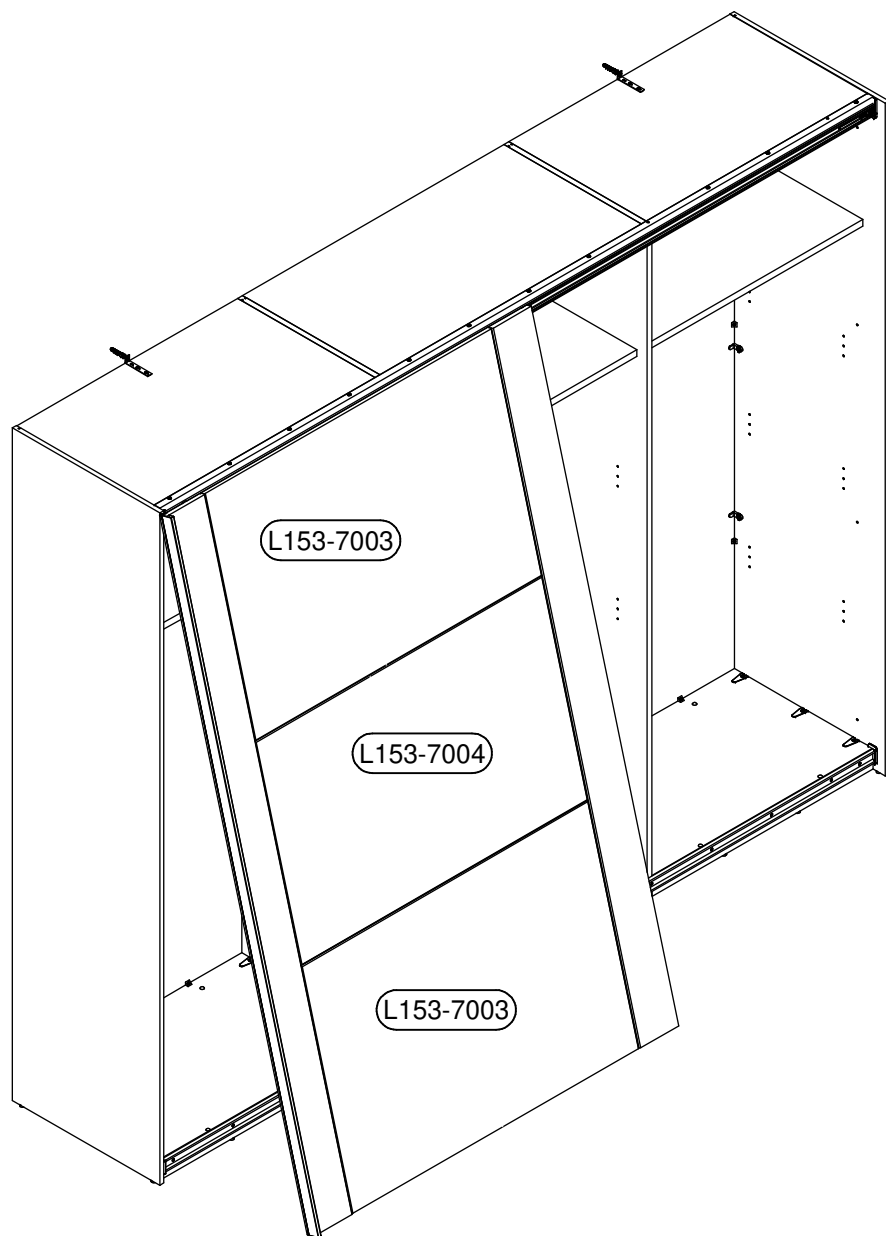


13

e5 12x Ø6,3x13 mm	f70 2x	f77 4x	n180 6x	n240 1x	n241\2 1x
n218 2x	p93 72x Ø4x13 mm	w180\1 37.5x11x2 mm 1x			

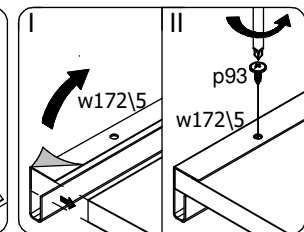
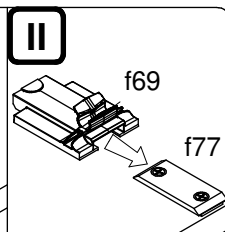
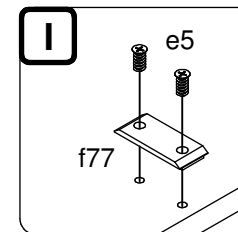
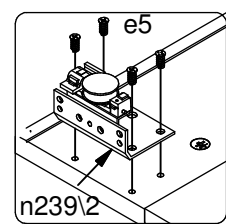
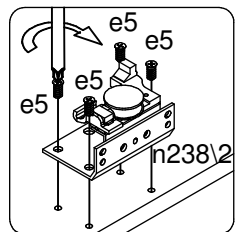
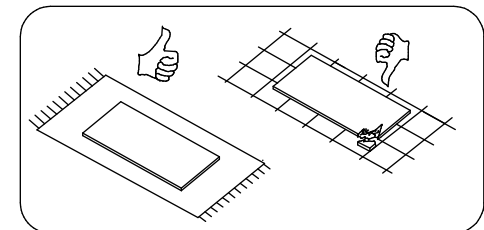
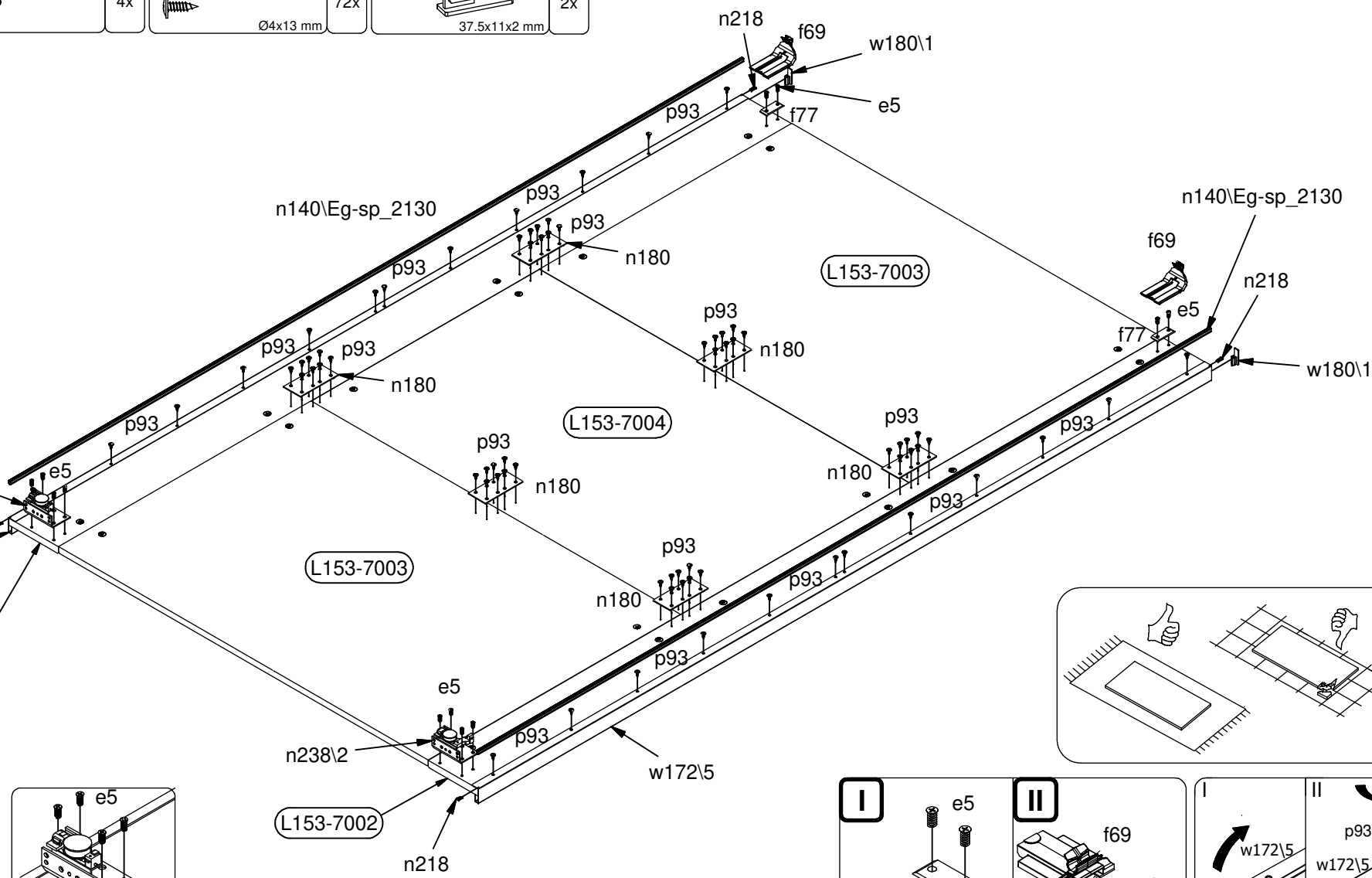
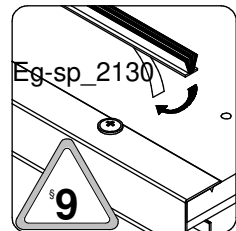
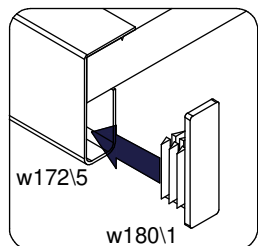


# 14



15

e5 Ø6,3x13 mm 12x	f69 2x	f77 4x	n180 6x	n238\2 1x	n239\2 1x	1x
n218 4x	p93 Ø4x13 mm 72x	w180\1 37.5x11x2 mm 2x				



# 16

