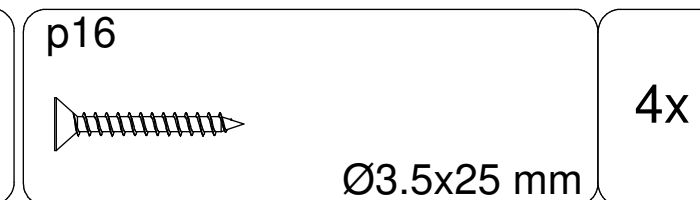
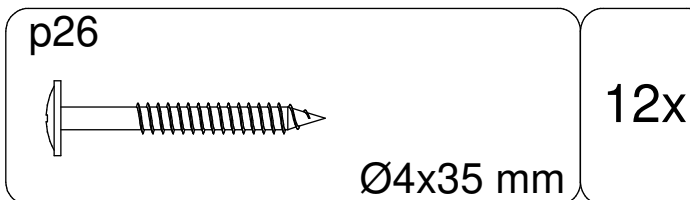
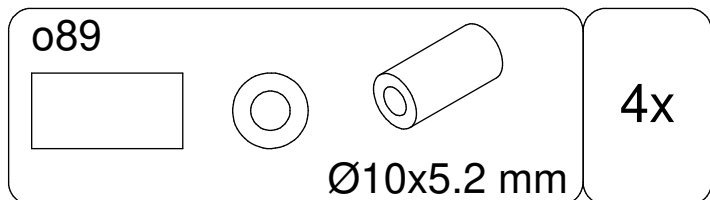
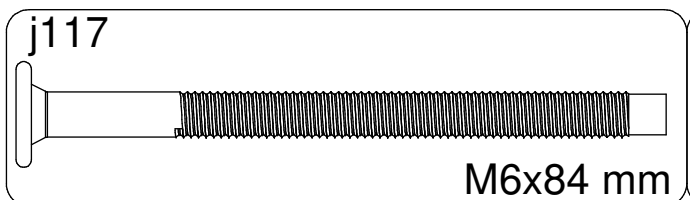
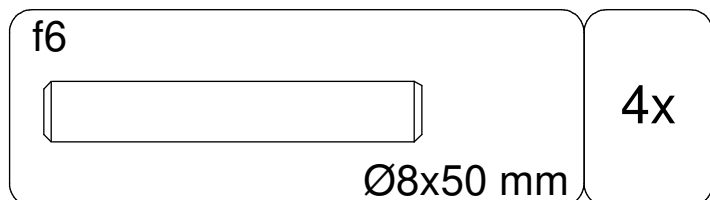
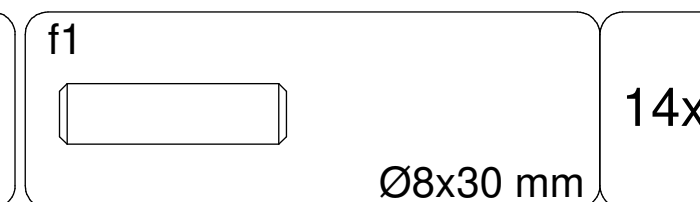
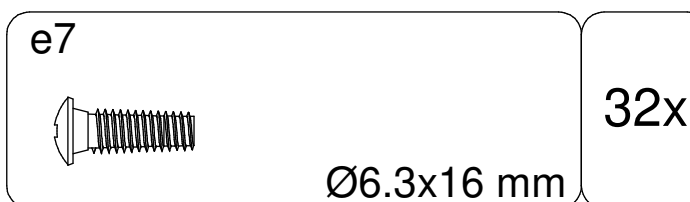
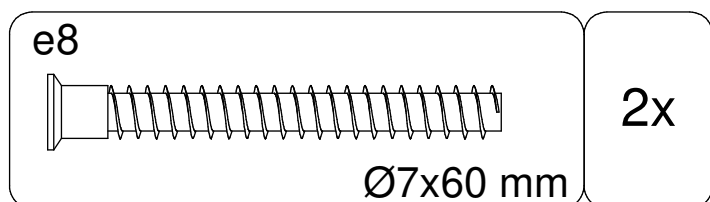
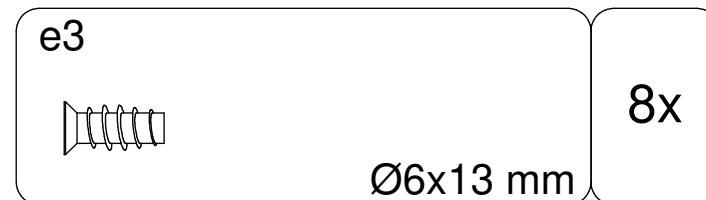
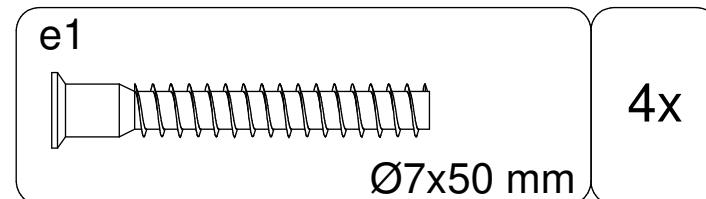
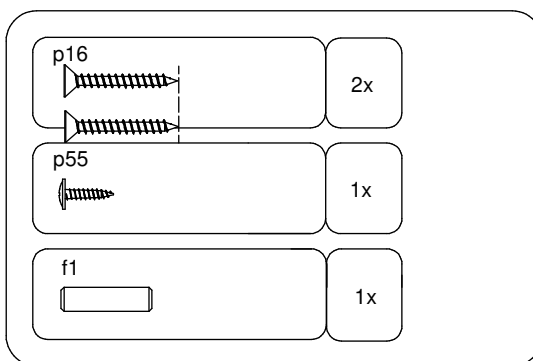
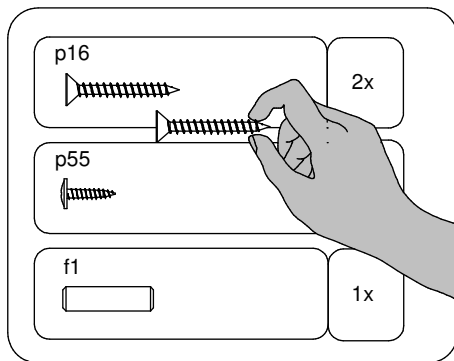


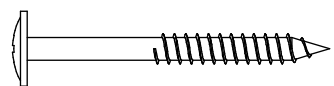
B1	B2	C1	C2	C3	C4	D
L153-1010	-.3	2000	300	22	1	3/4
L153-1011	-.3	2000	300	22	1	3/4
L153-4007	-.1	1646	305	22	1	2/4
L153-4008	-.3	250	100	15	2	3/4
L153-4011	-.3	1650	950	36	1	1/4
L153-4014	-.3	1600	261	16	1	2/4
L153-5002	-.1	1650	410	76	1	4/4
ZZ1-462		262	70	27	2	3/4
ZZ1-465		32	70	27	2	3/4
ZZ1-718	-.7	1995	70	27	1	3/4
ZZ1-747	-.2	1880	25	25	2	3/4

1:1



1:1

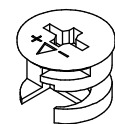
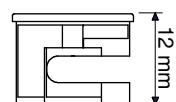
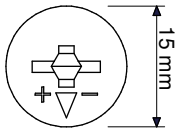
p10



Ø4x40 mm

16x

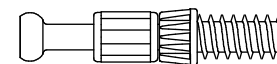
r1



15x12mm

8x

r42



8x

r43



Ø10x16 mm

4x



~~1:1~~

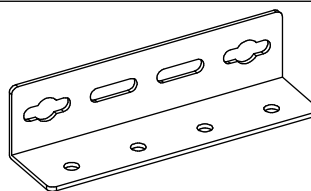
k103



Ø20x3.5 mm

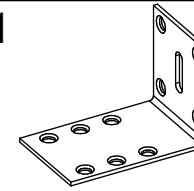
6x

n63



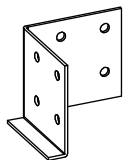
2x

n111



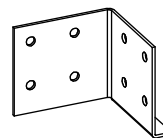
2x

n231\L



1x

n231\P

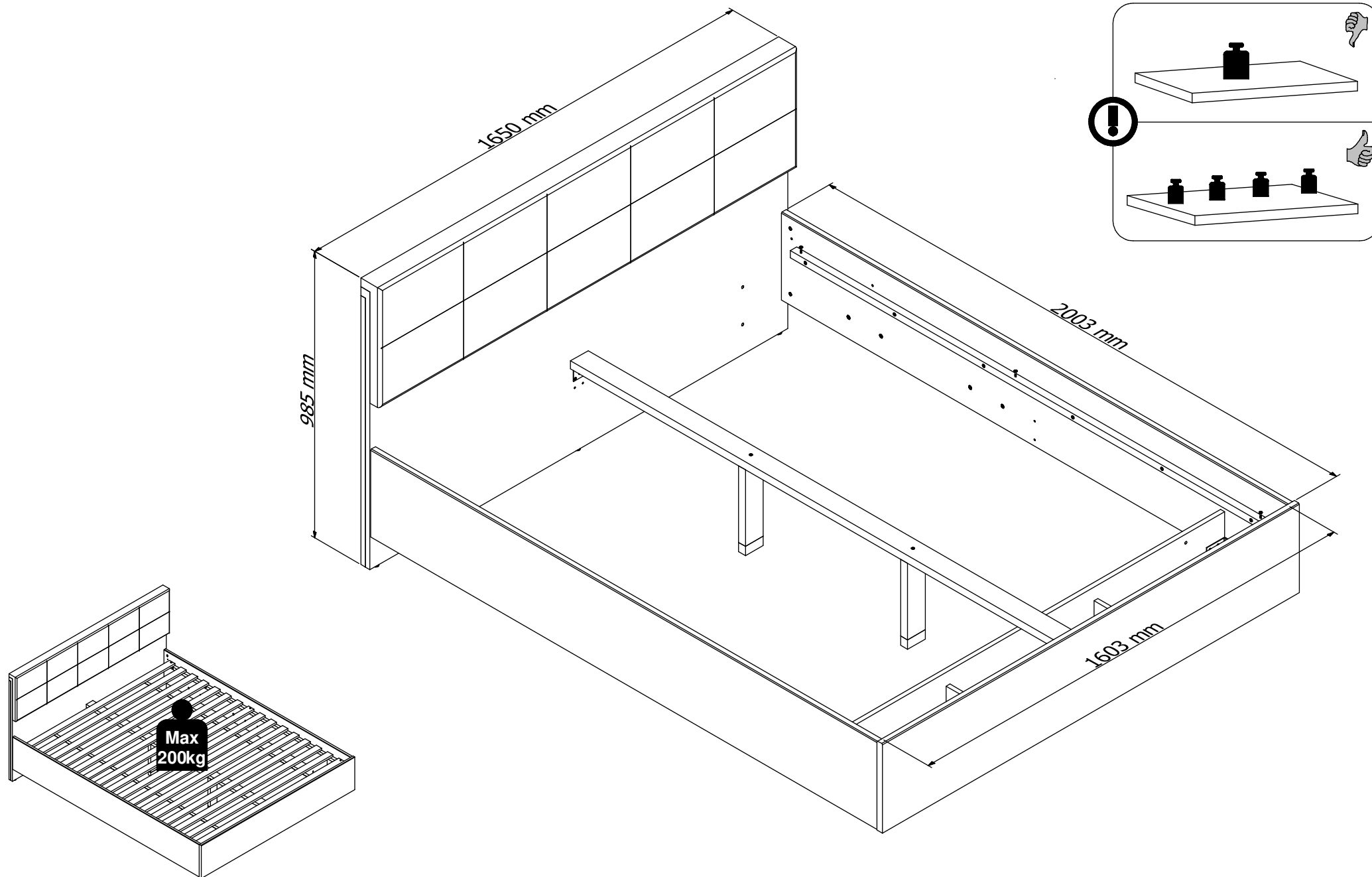


1x

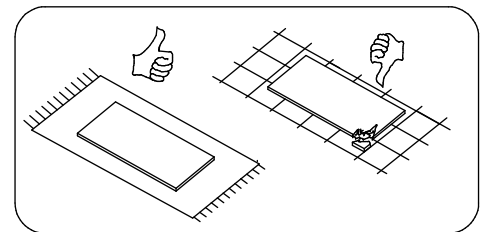
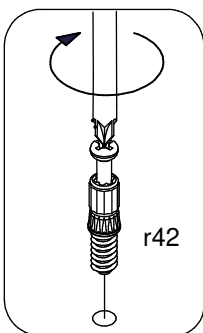
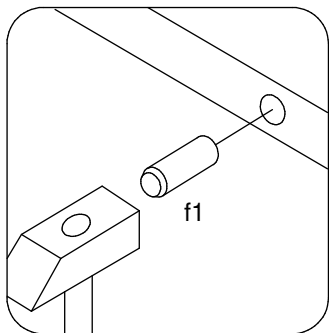
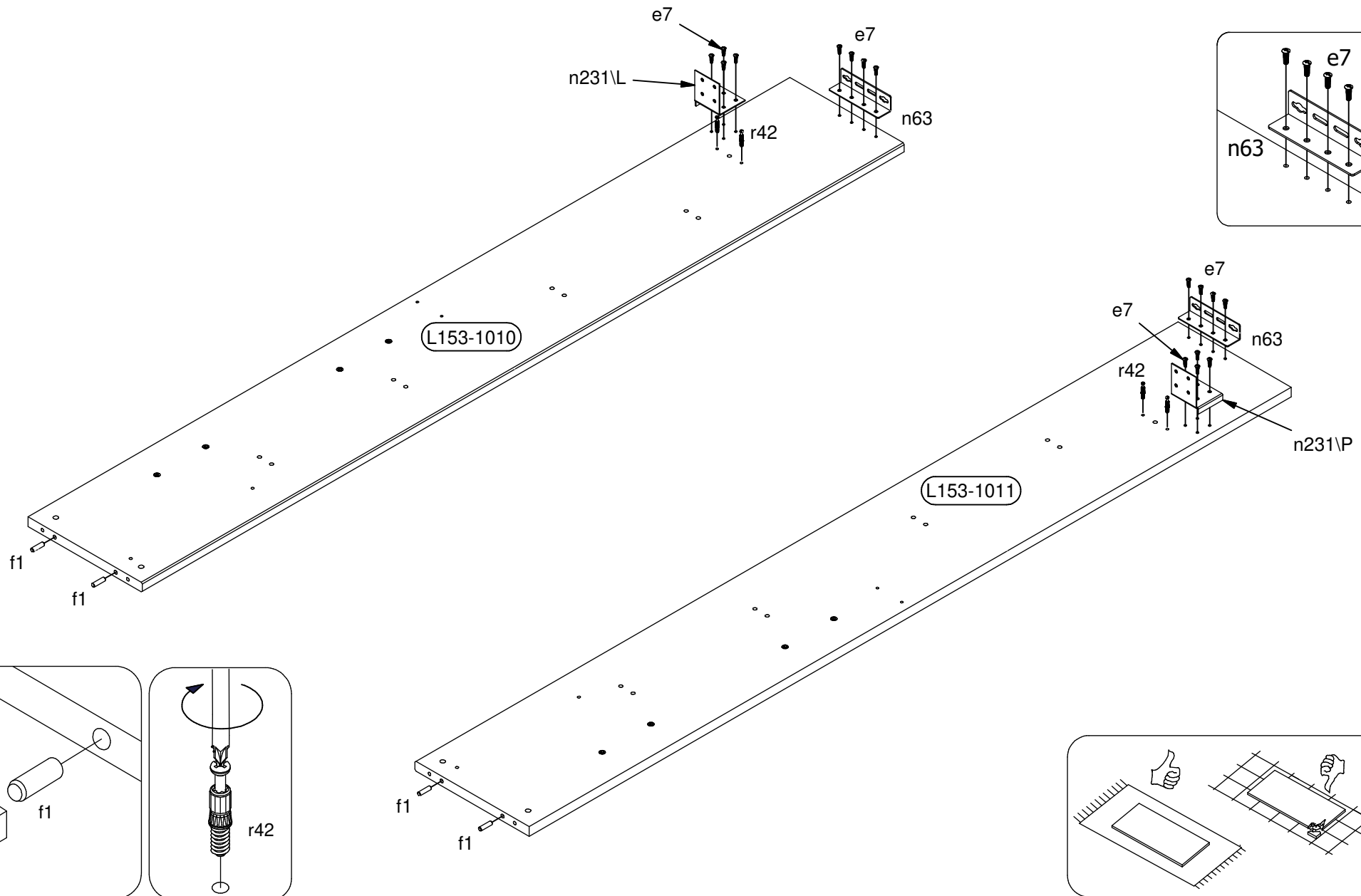
z1

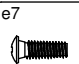

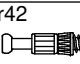
 4 mm

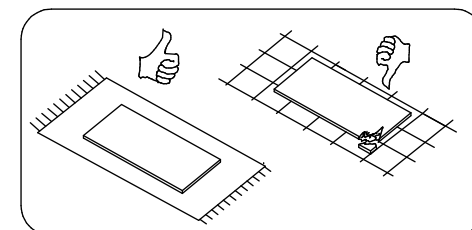
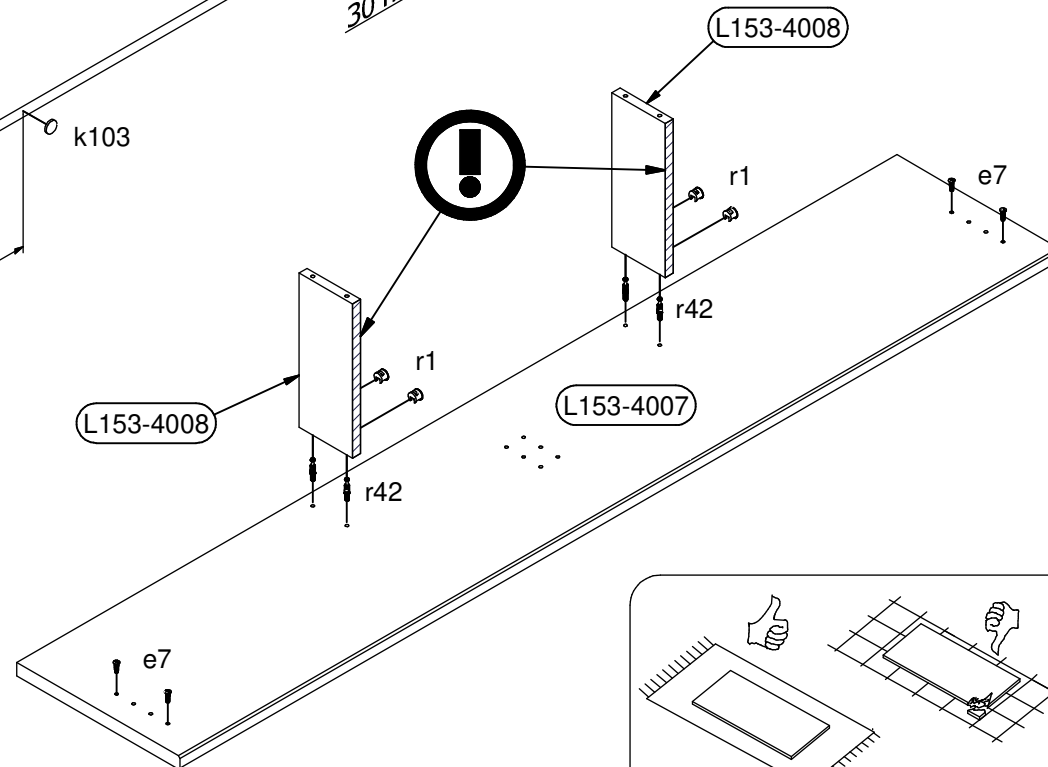
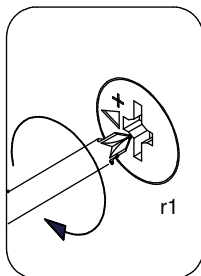
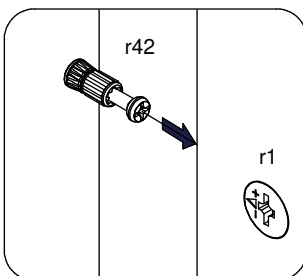
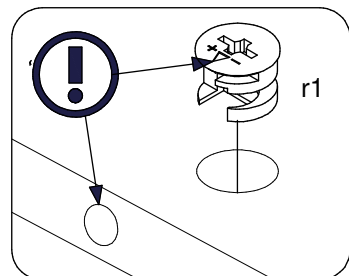
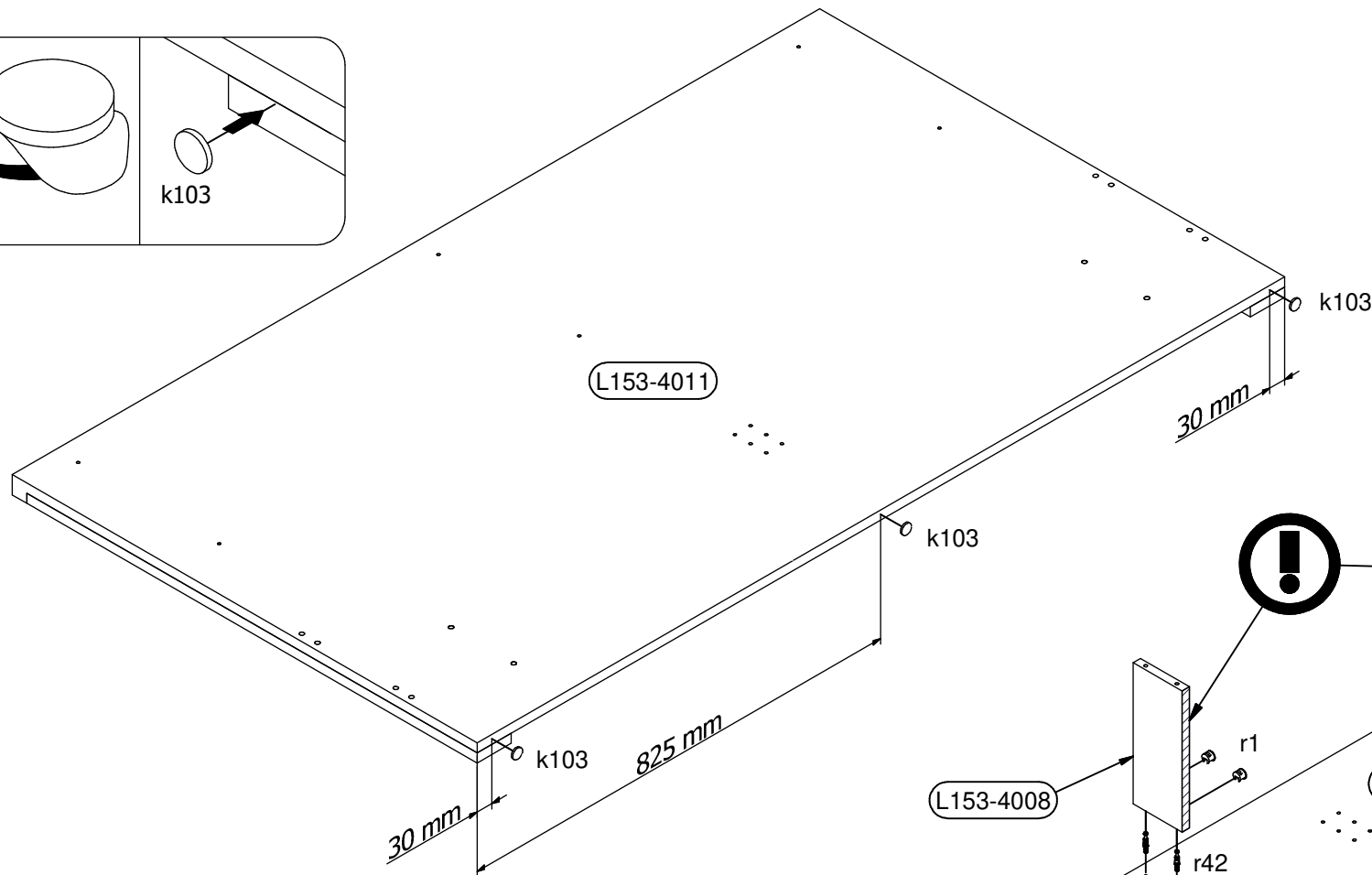
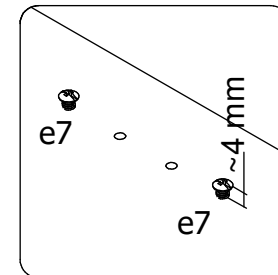
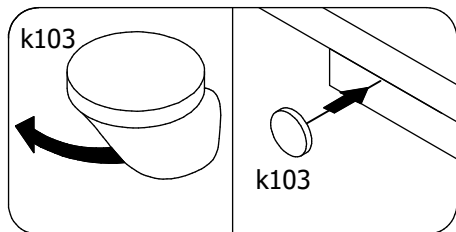
1x



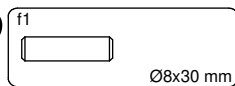
- 1 e7 Ø6.3x16 mm 16x
- f1 Ø8x30 mm 4x
- n63 4x
- 2x n231\L
- 1x n231\P
- 1x r42
- 4x



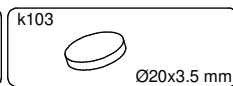
2  4x  $\text{\O}6.3 \times 16 \text{ mm}$   3x  $\text{\O}20 \times 3.5 \text{ mm}$   4x  $15 \times 12 \text{ mm}$   4x



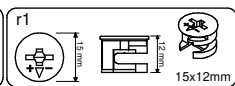
3



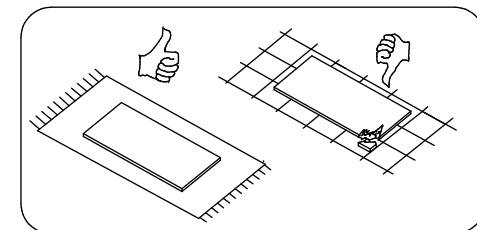
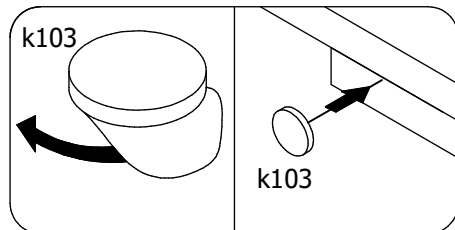
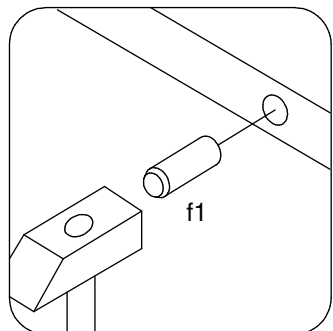
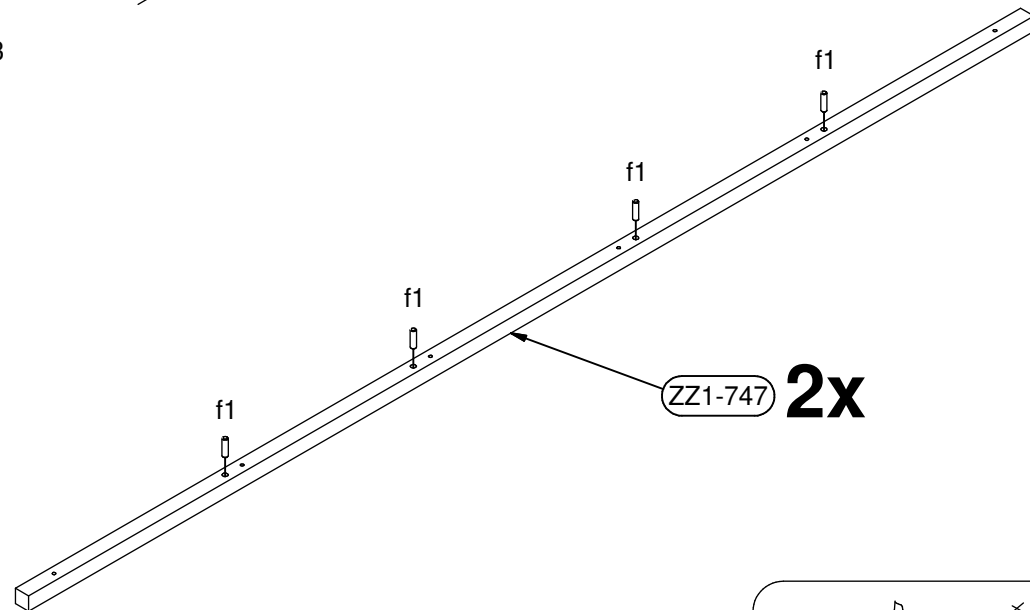
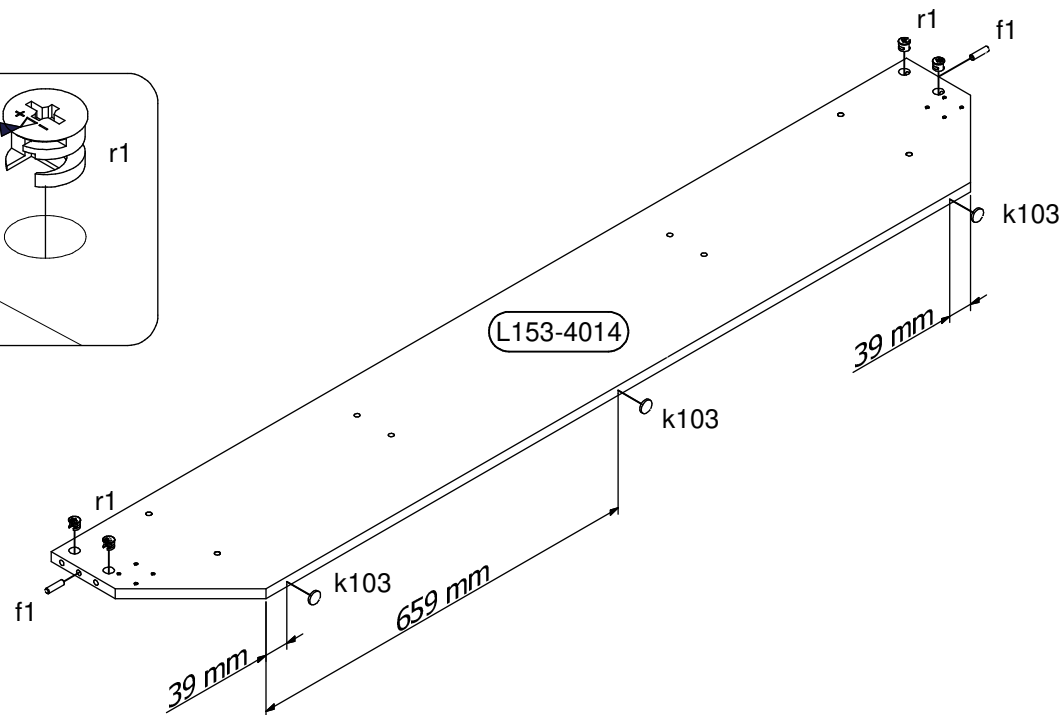
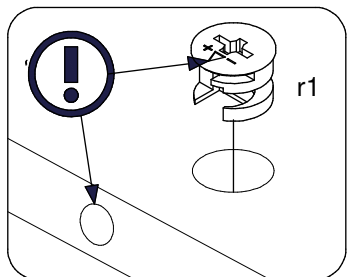
10x



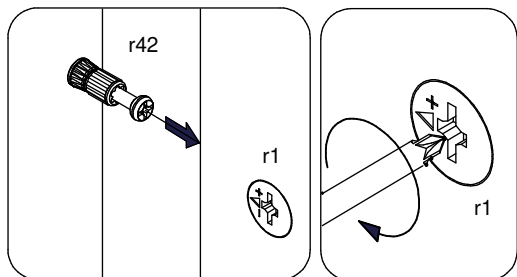
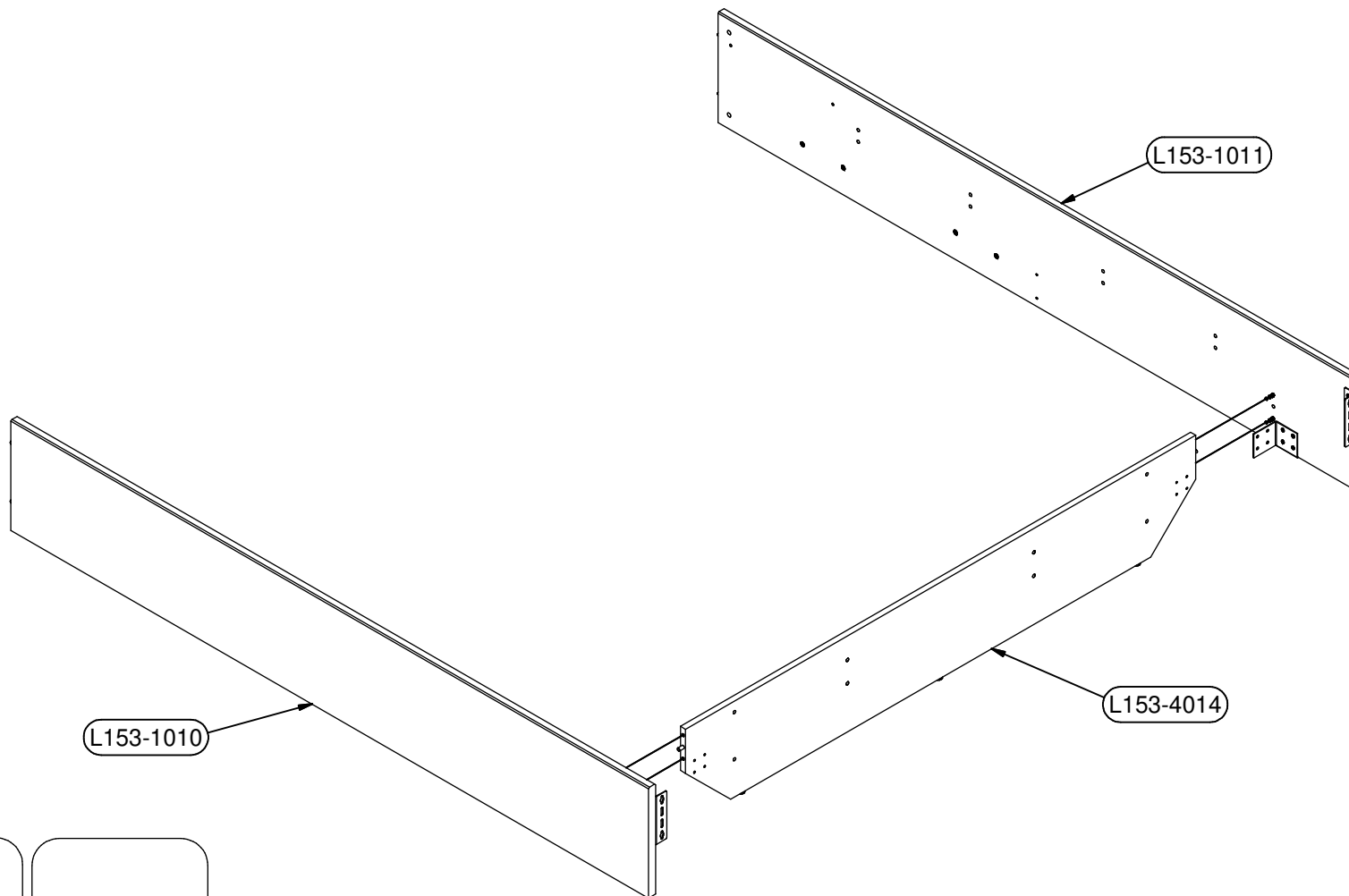
3x



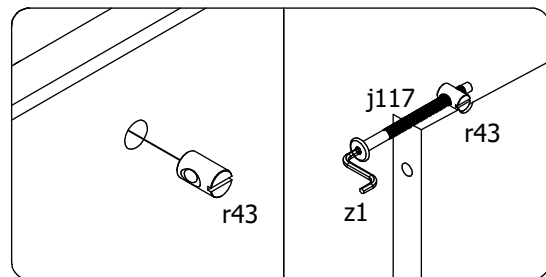
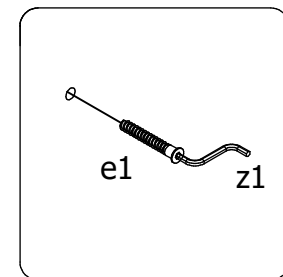
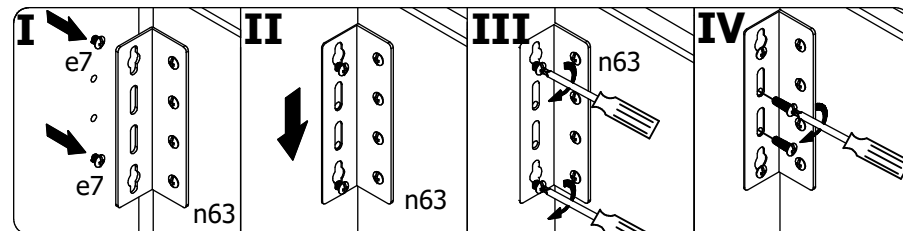
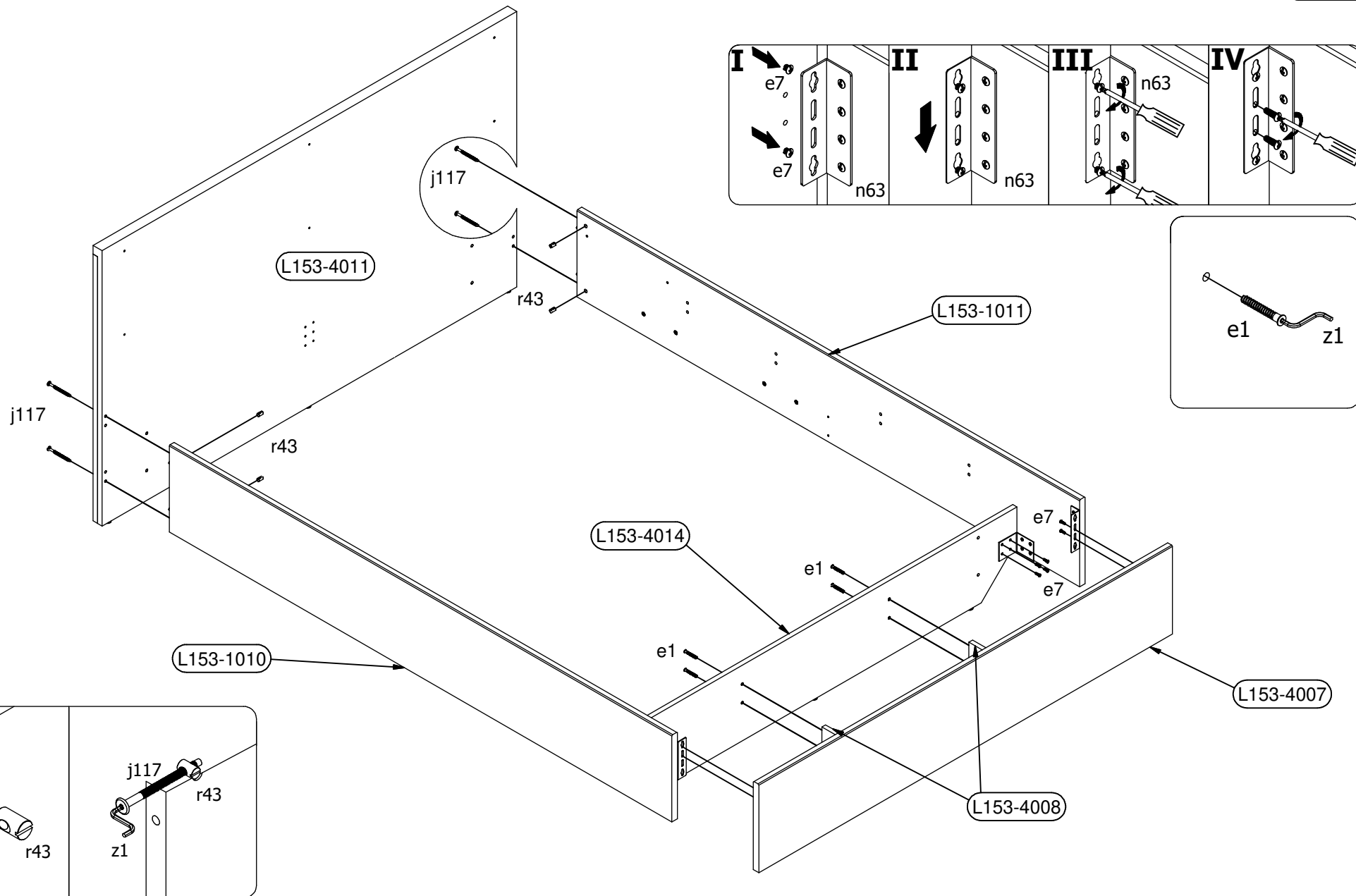
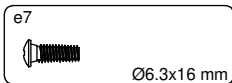
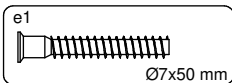
4x



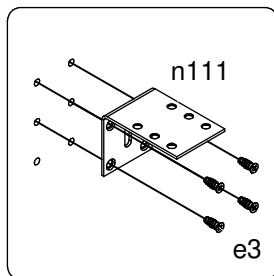
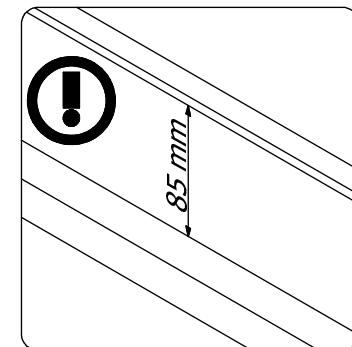
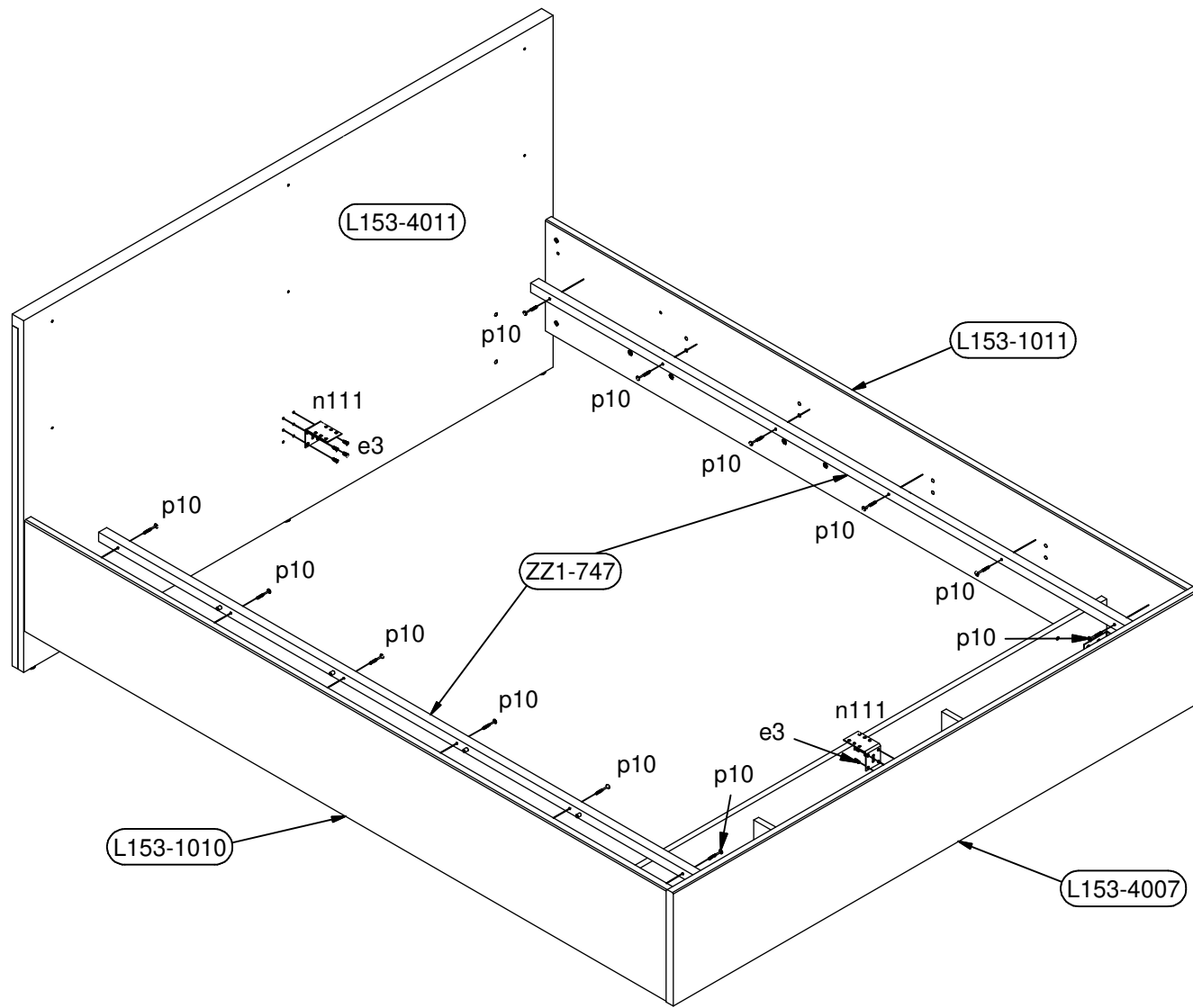
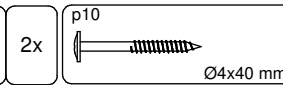
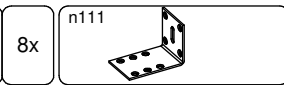
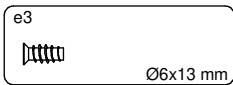
4



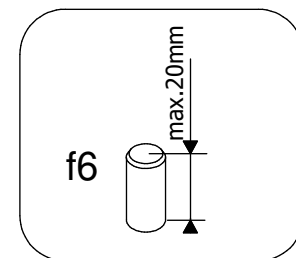
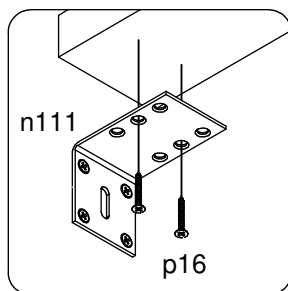
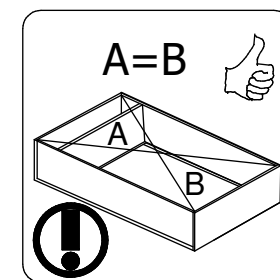
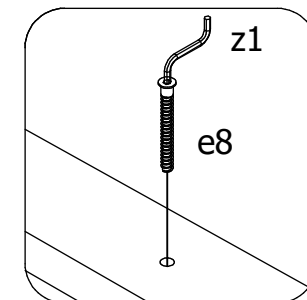
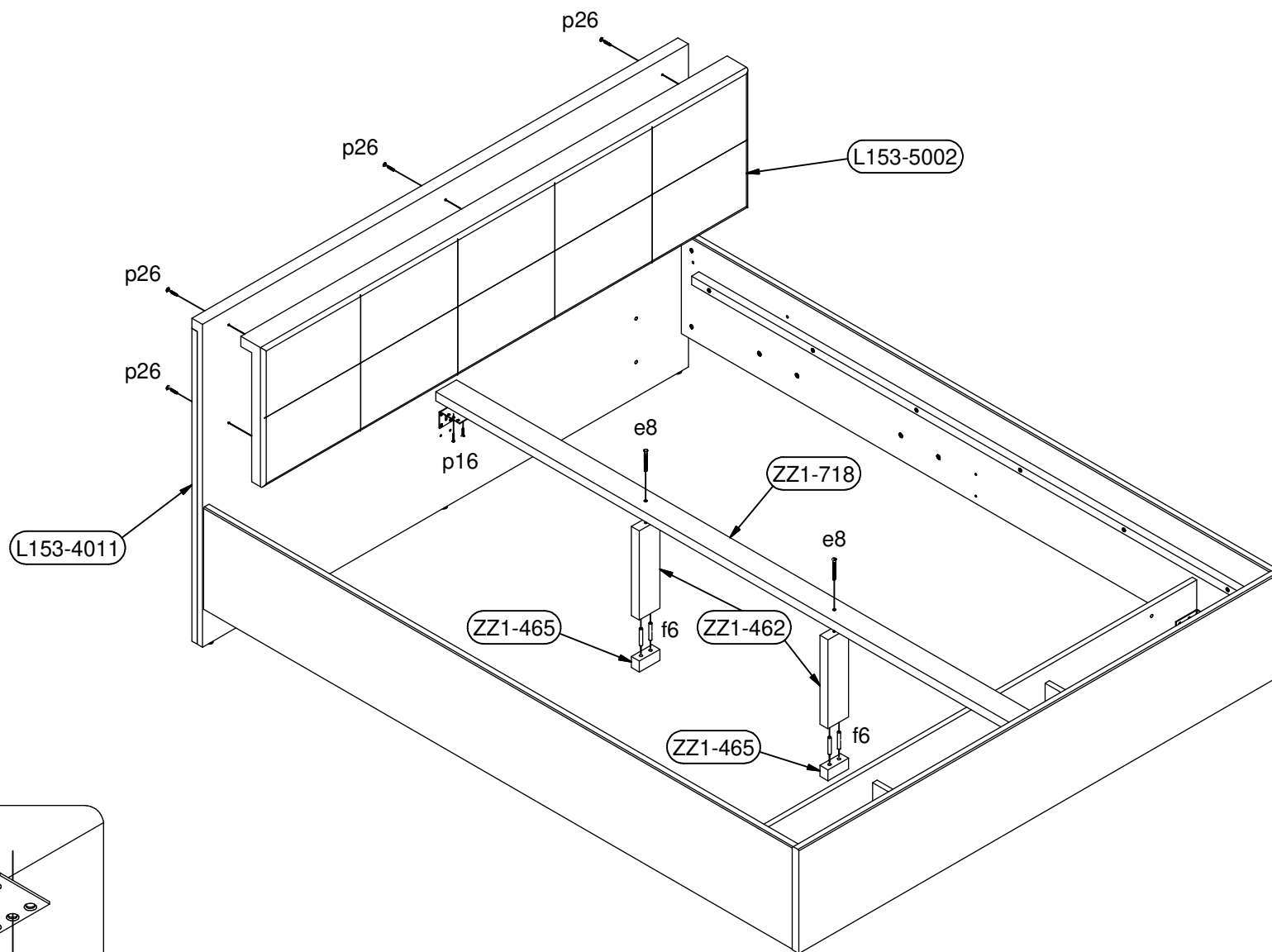
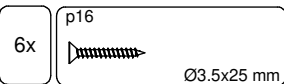
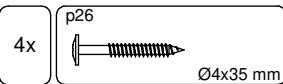
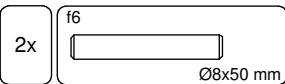
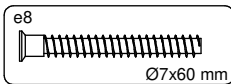
5



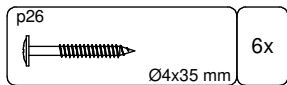
6A



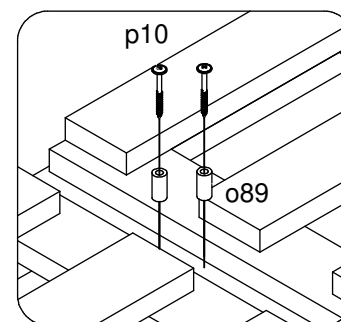
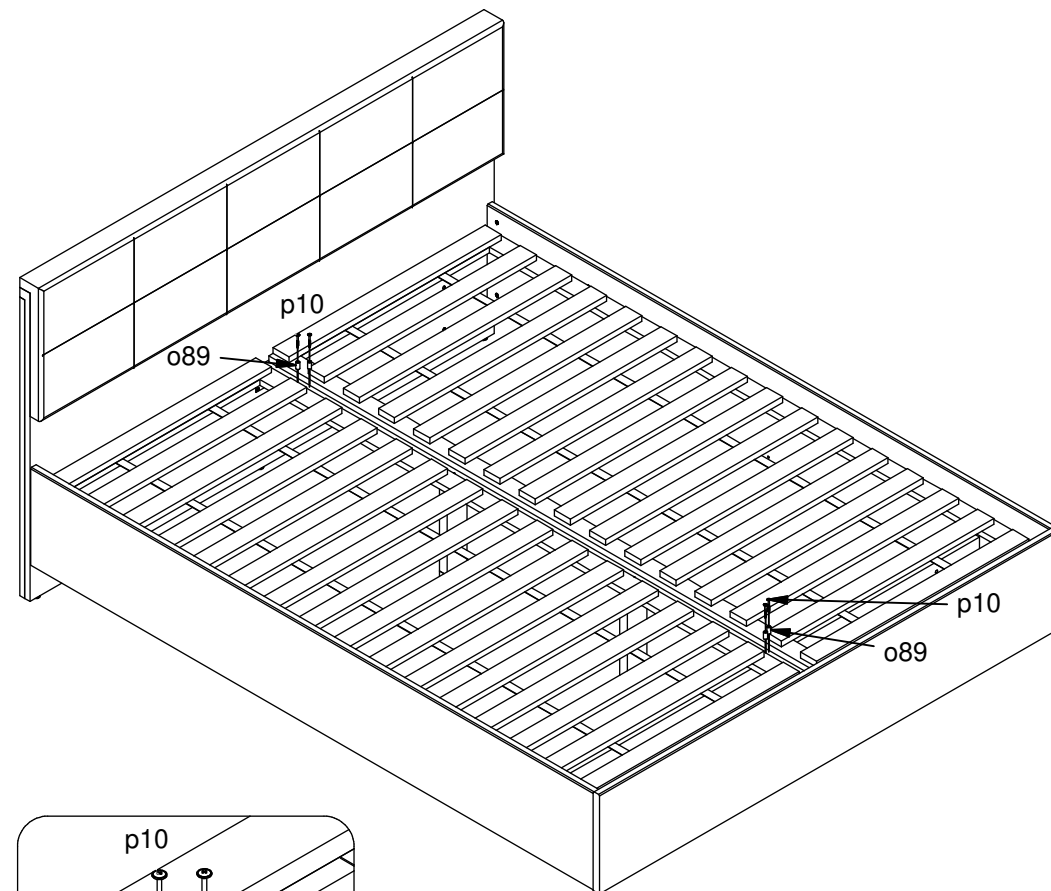
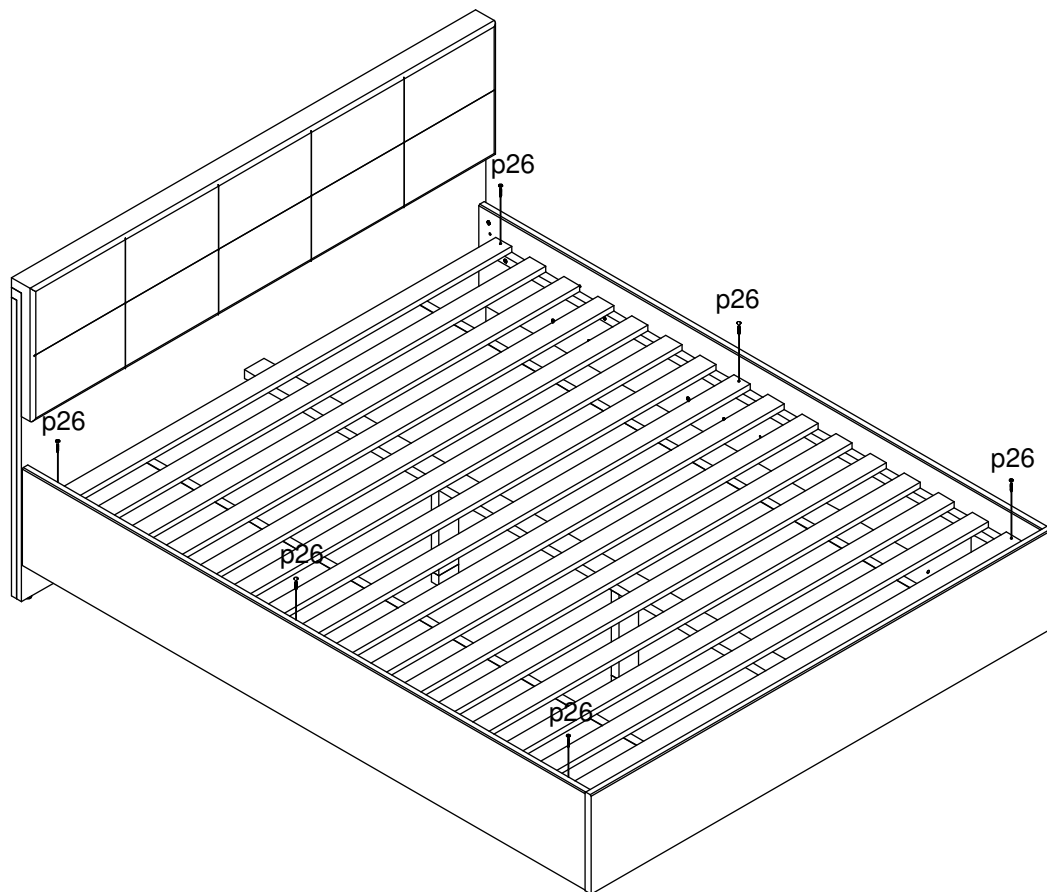
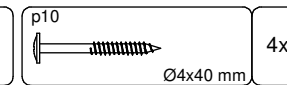
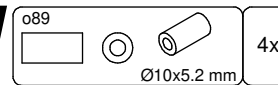
7A



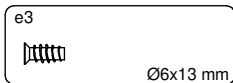
8A.I



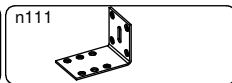
8A.II



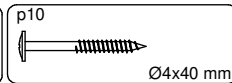
6B



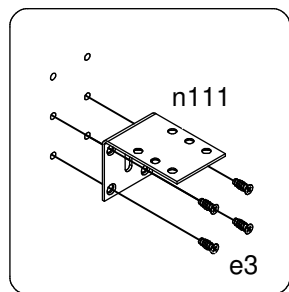
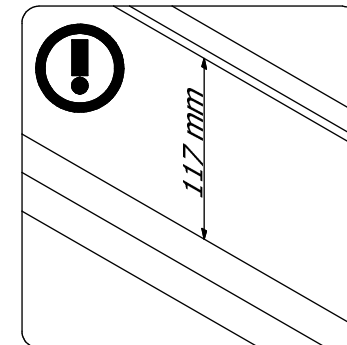
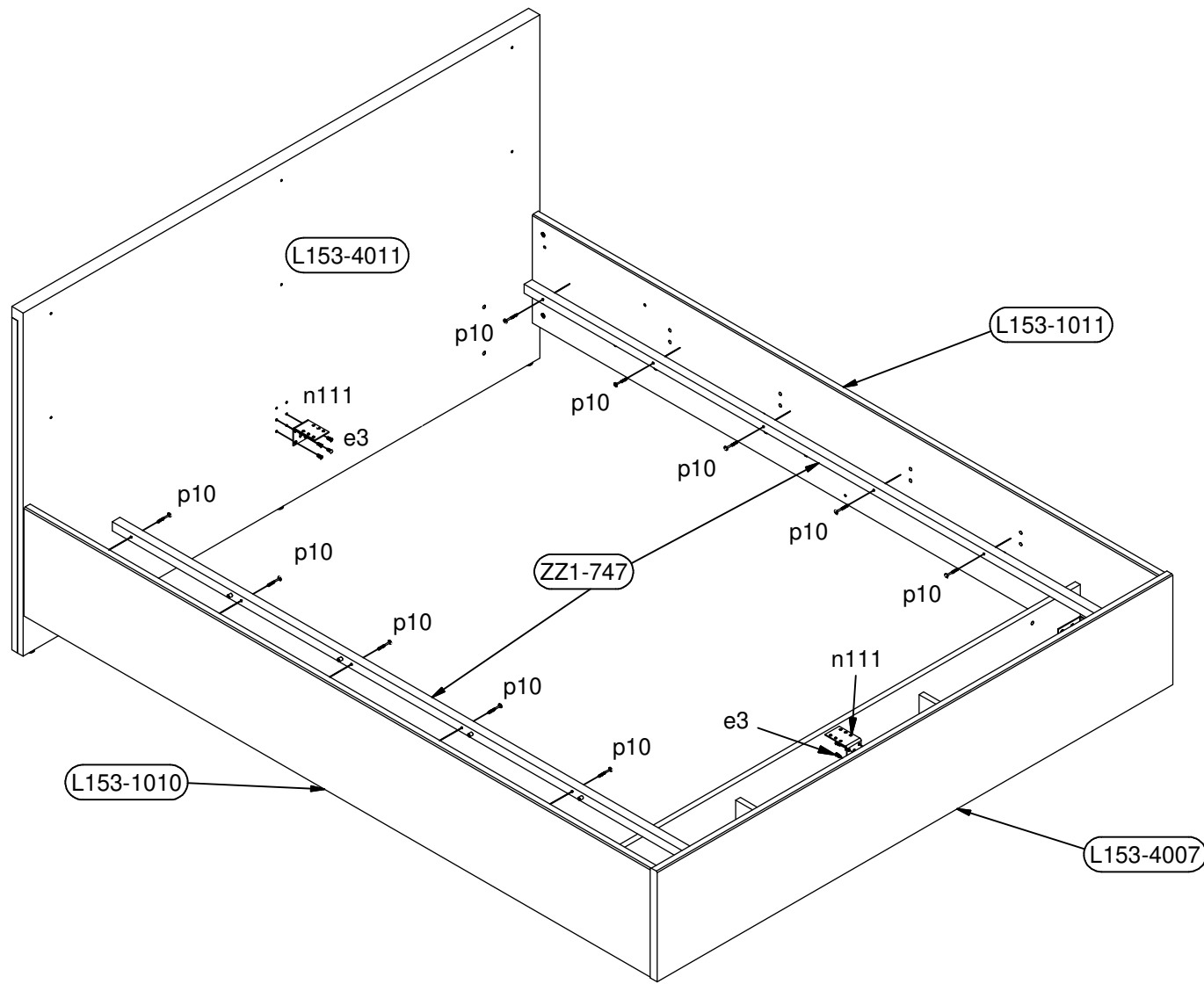
8x



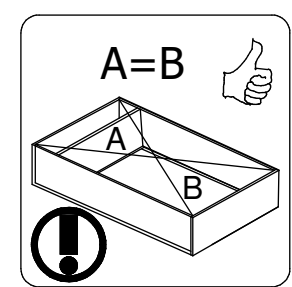
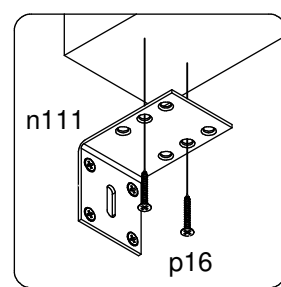
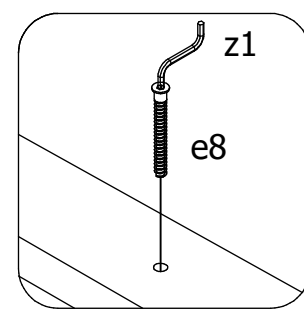
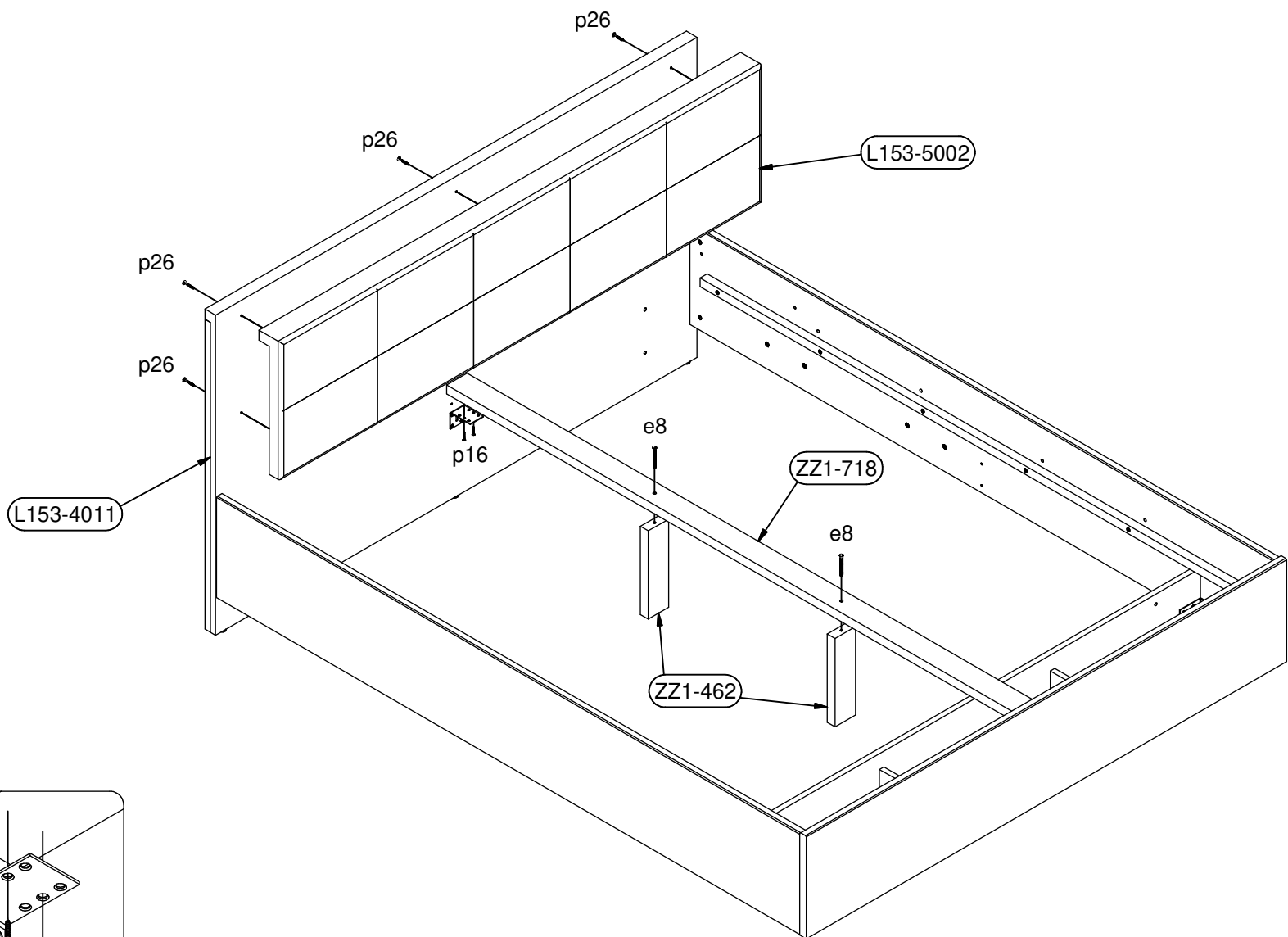
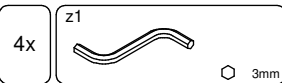
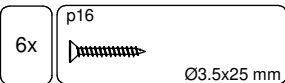
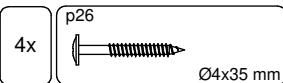
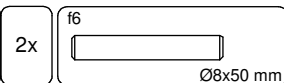
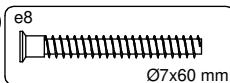
2x



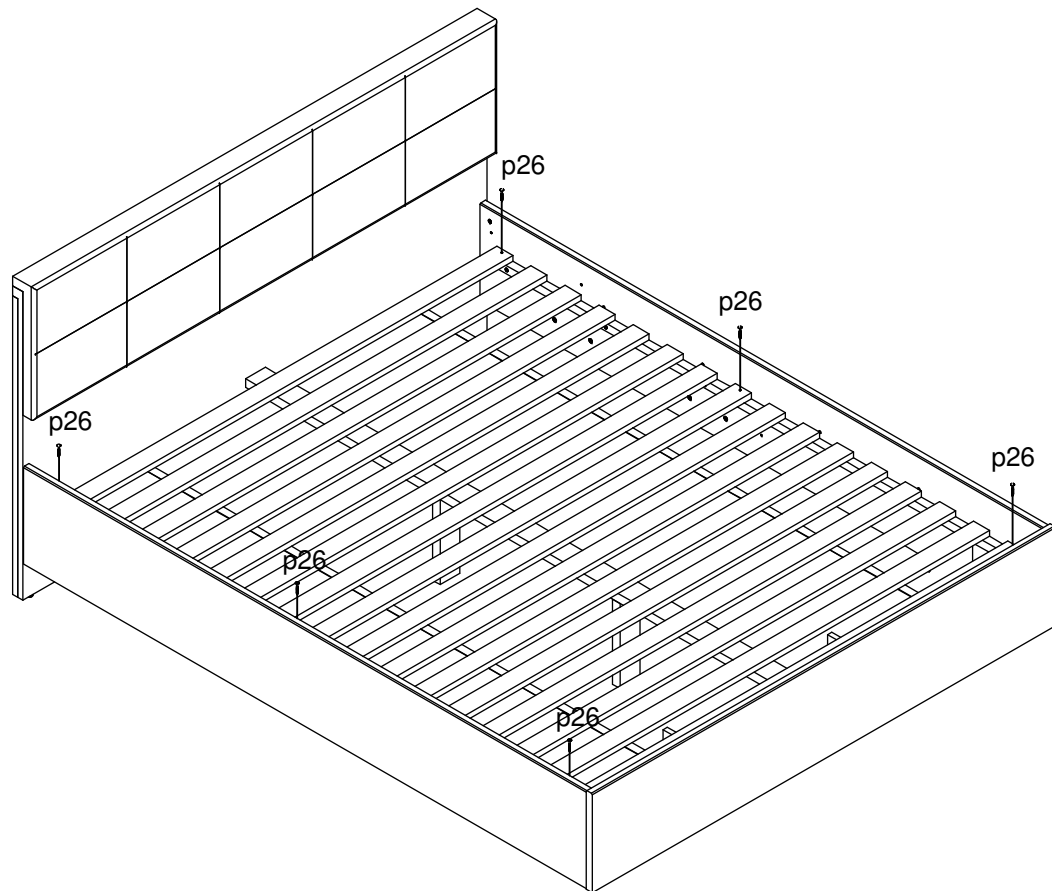
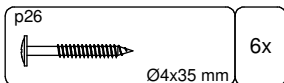
12x



7B



**8B.I**



**8B.II**

