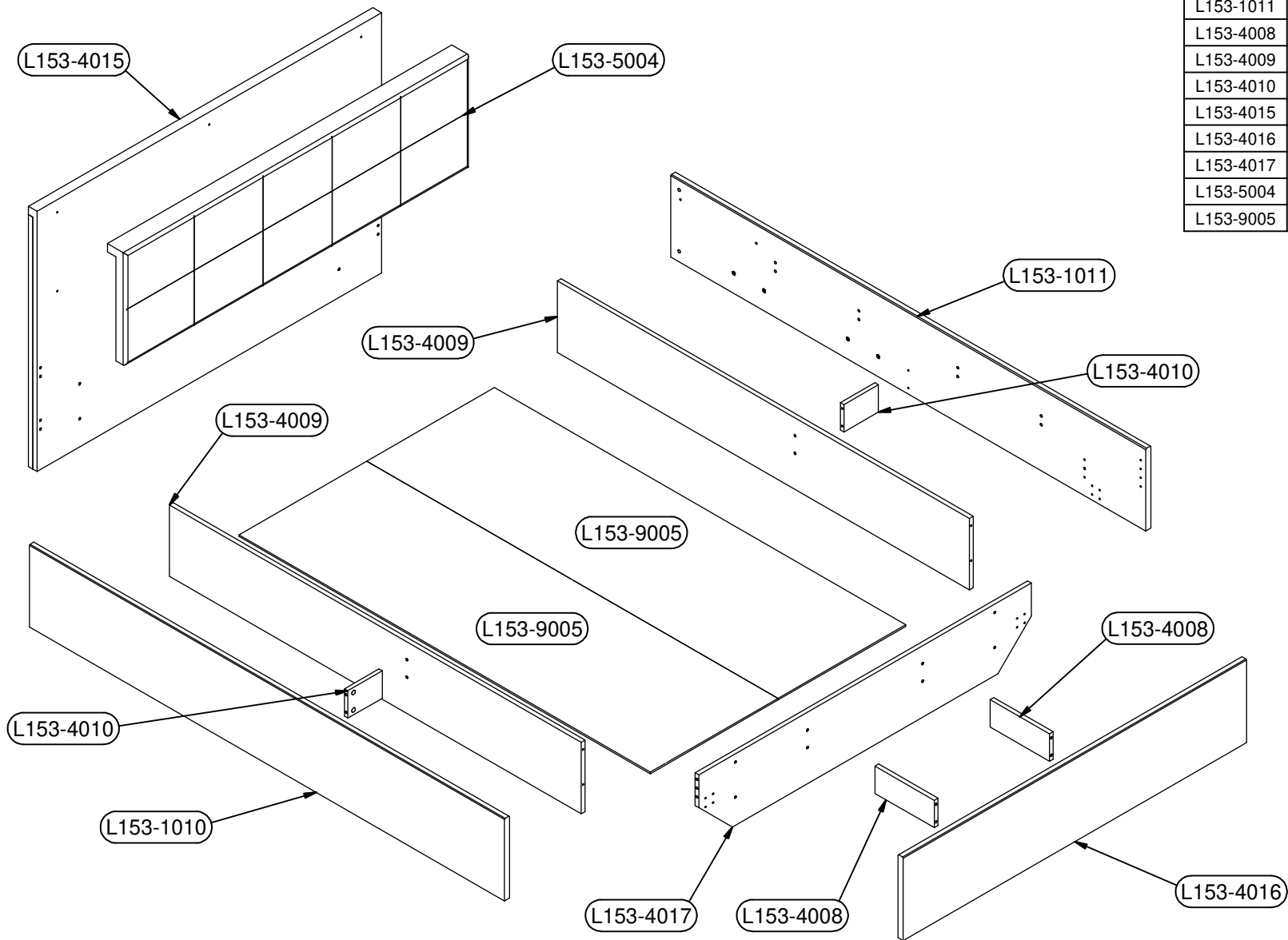
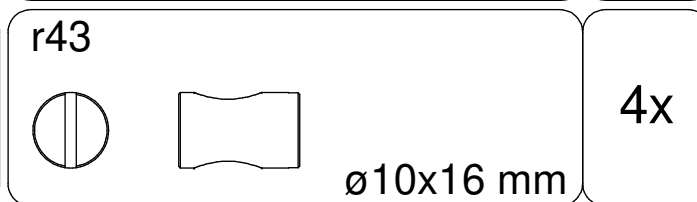
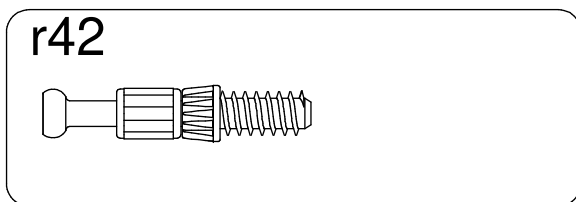
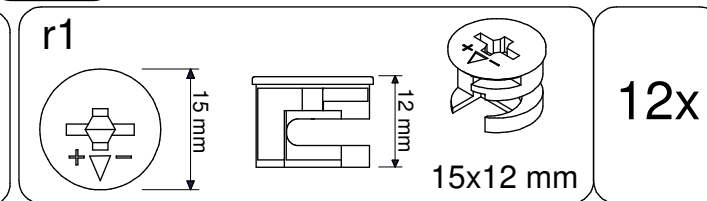
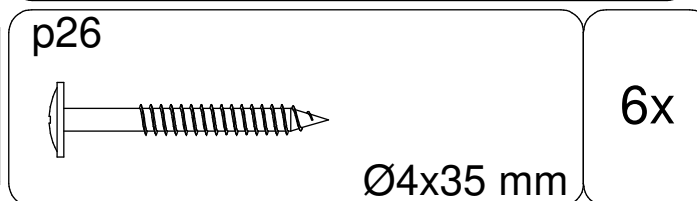
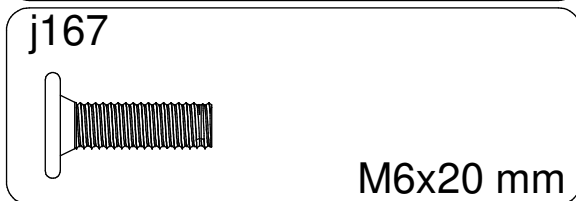
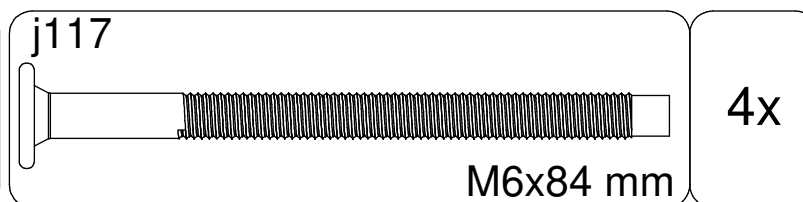
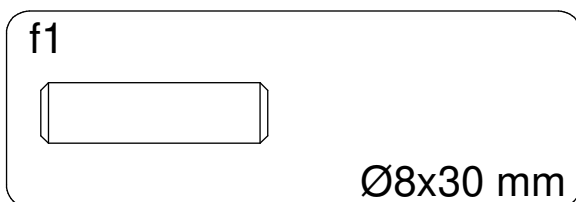
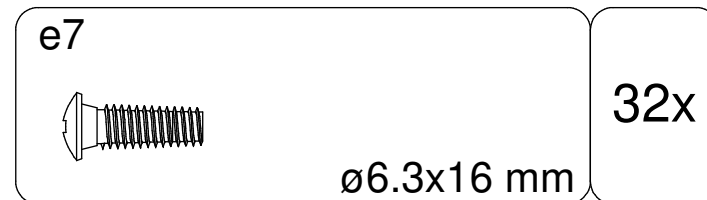
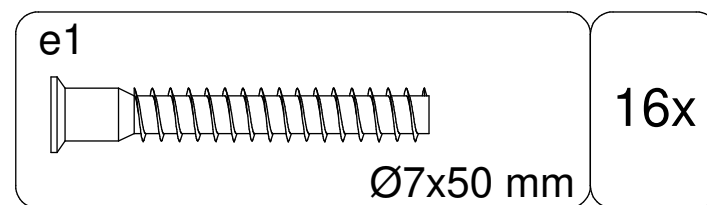
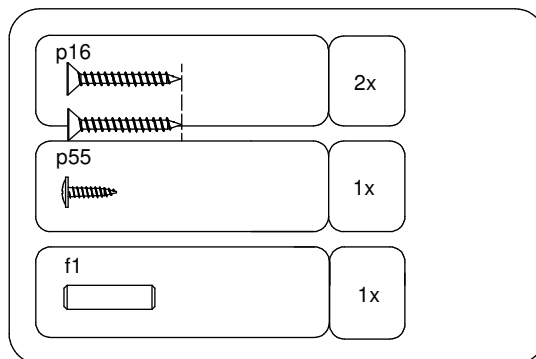
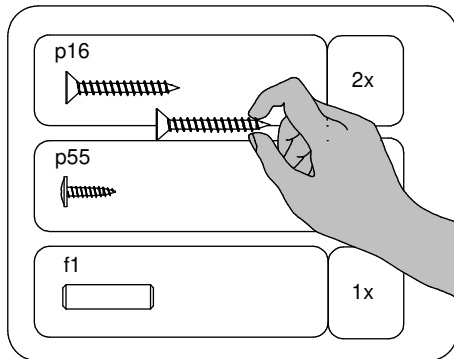


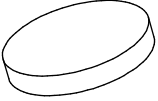
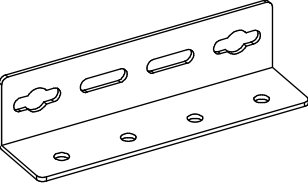
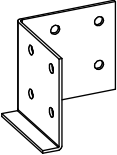
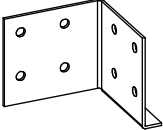
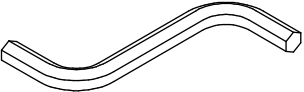
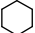
B1	B2	C1	C2	C3	C4	D
L153-1010	-3	2000	300	22	1	3/4
L153-1011	-3	2000	300	22	1	3/4
L153-4008	-3	250	100	15	2	3/4
L153-4009	-3	1734	261	16	2	3/4
L153-4010	-3	145	100	15	2	3/4
L153-4015	-.1	1450	950	36	1	1/4
L153-4016	-.1	1446	304	22	1	2/4
L153-4017	-3	1400	261	16	1	2/4
L153-5004	-.1	1450	410	76	1	4/4
L153-9005	-.2	1732	538	6	2	1/4

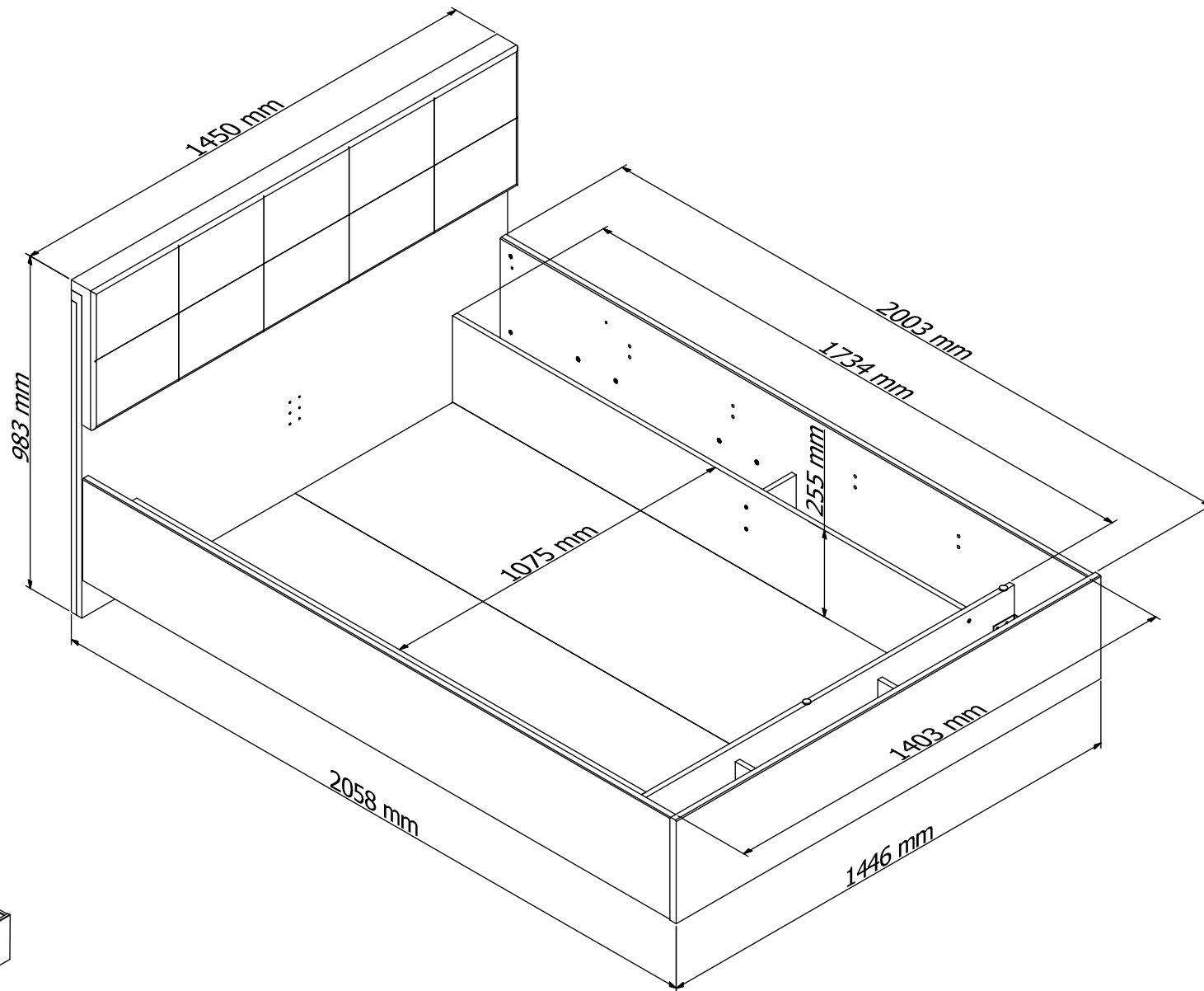
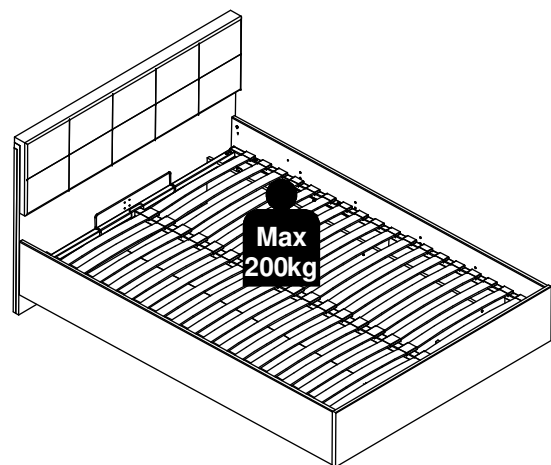
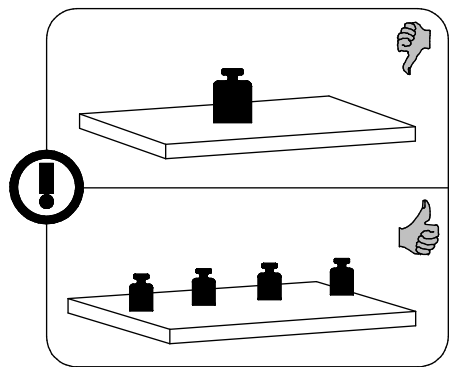


1:1



~~**1:1**~~

k103  ø20x3,5 mm	13x	n63 	2x	n231\L 	1x
n231\P 	1x	z1   4 mm	1x		



1

e7
ø6.3x16 mm
16x

r42
8x

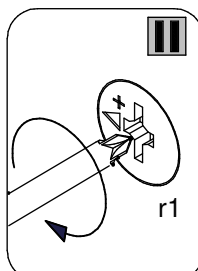
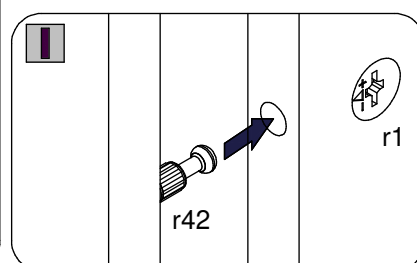
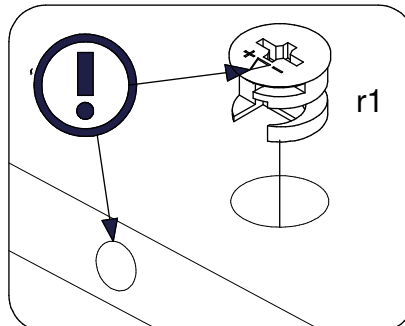
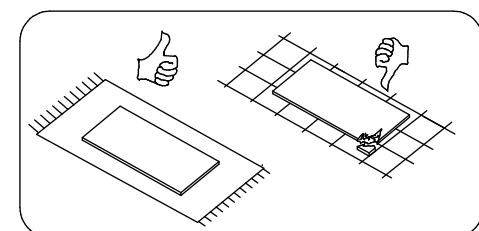
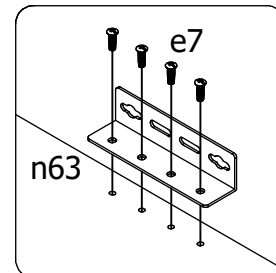
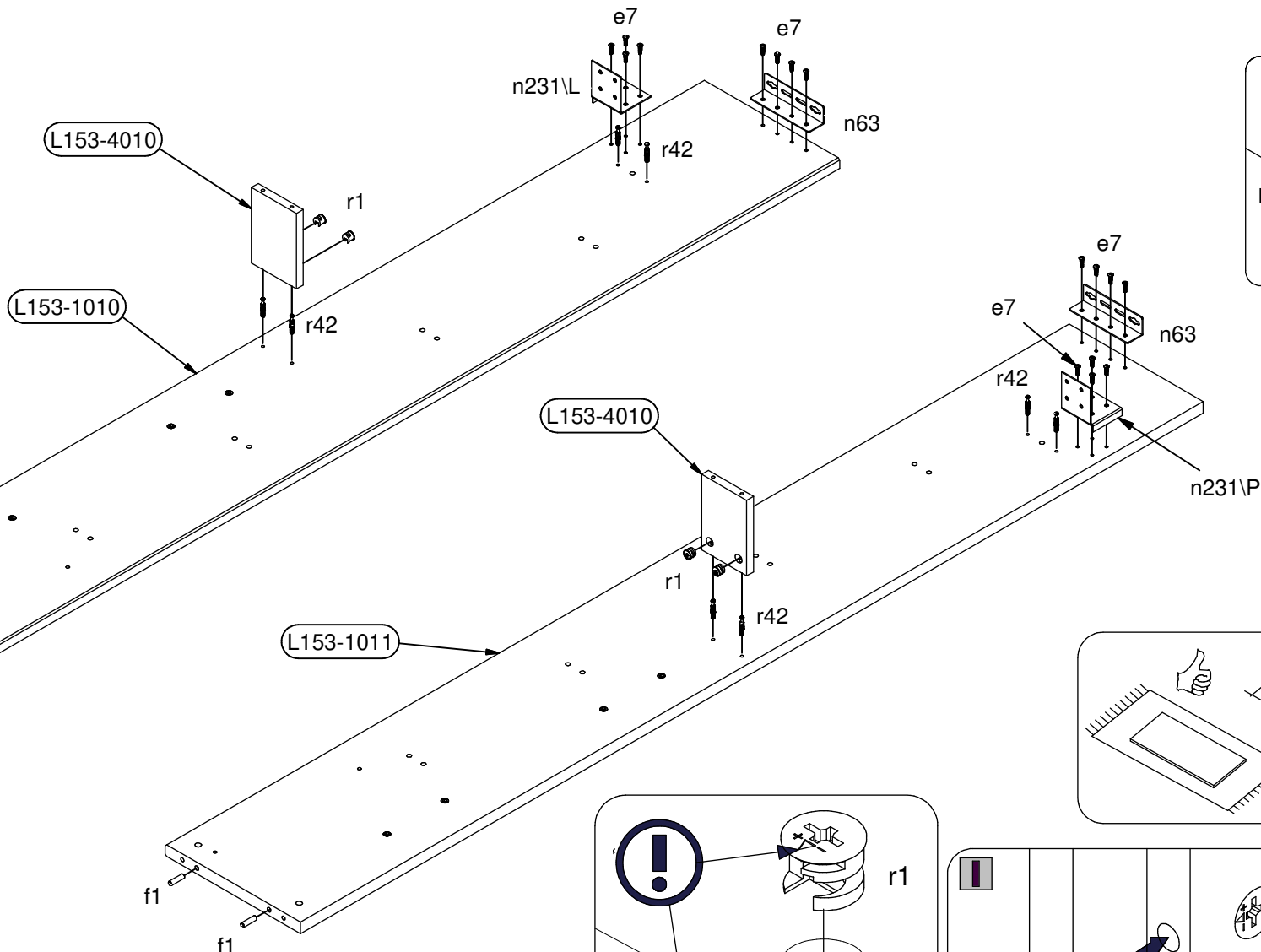
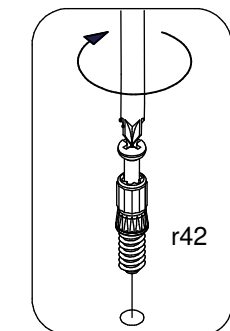
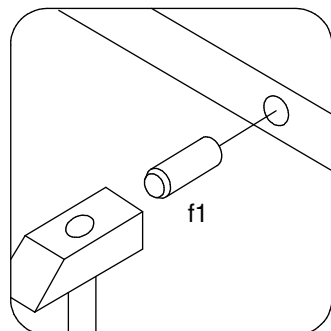
f1
Ø8x30 mm
4x

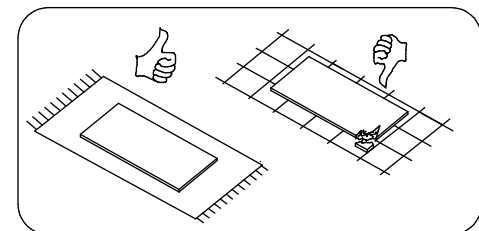
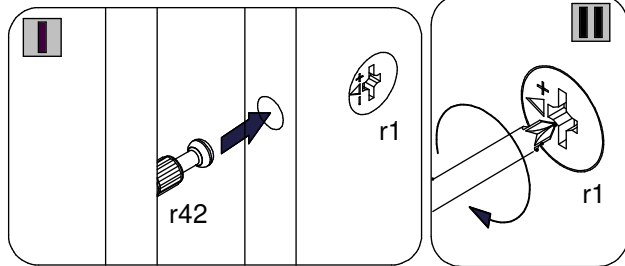
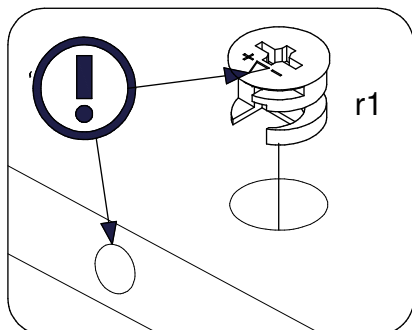
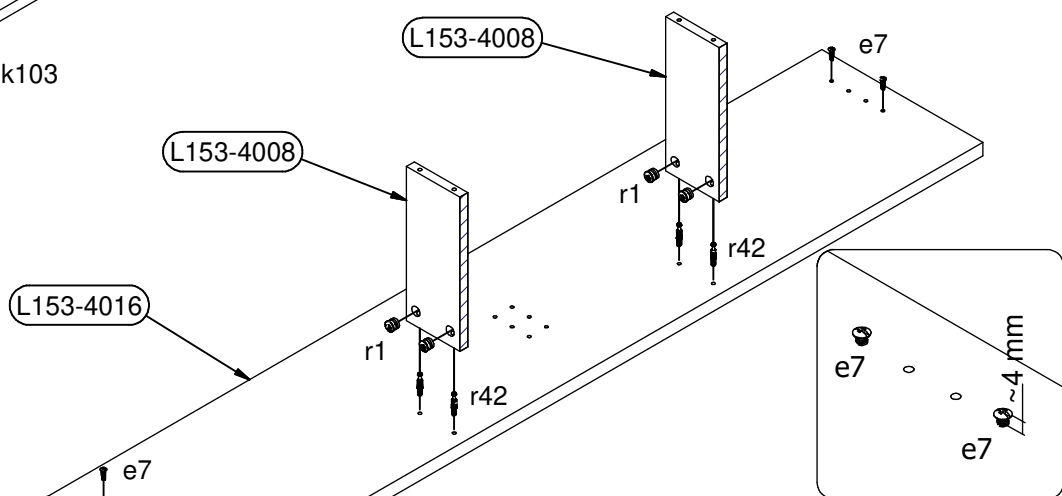
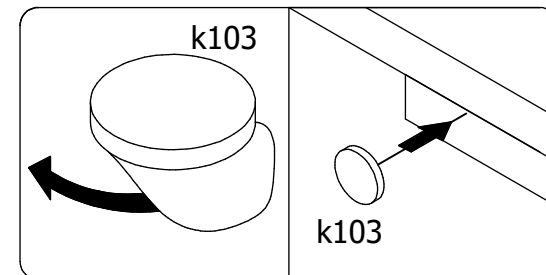
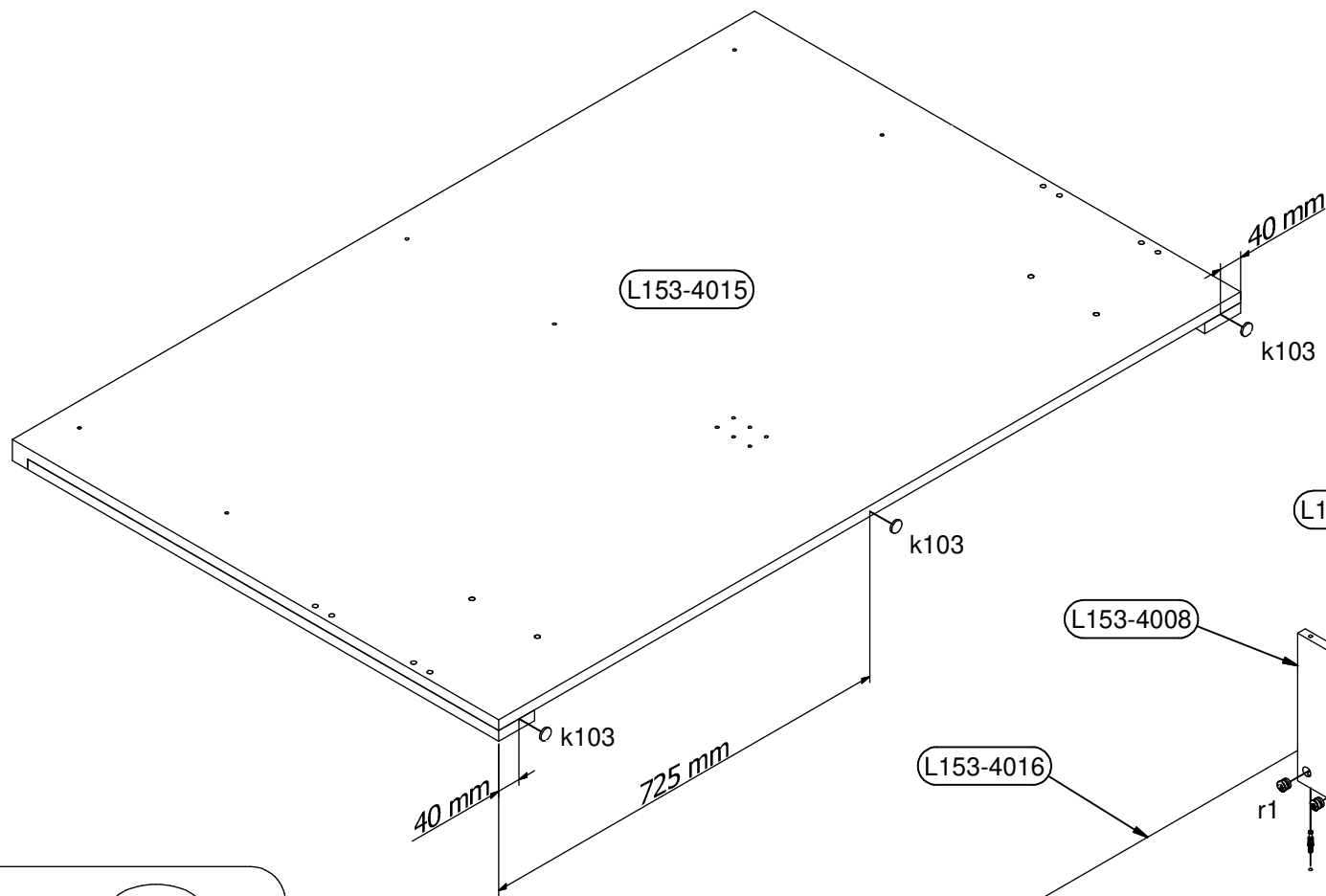
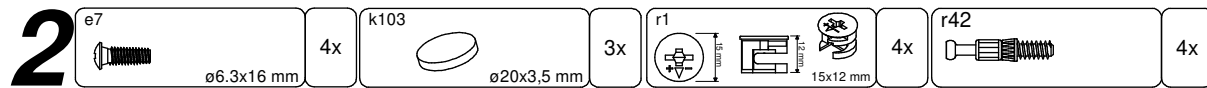
n63
2x

n231\L
1x

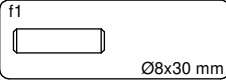

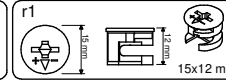
n231\P
1x

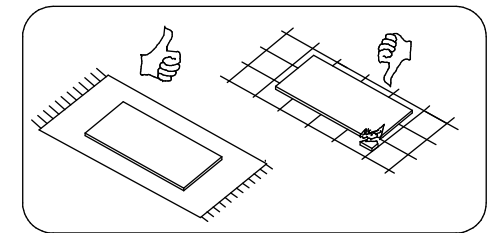
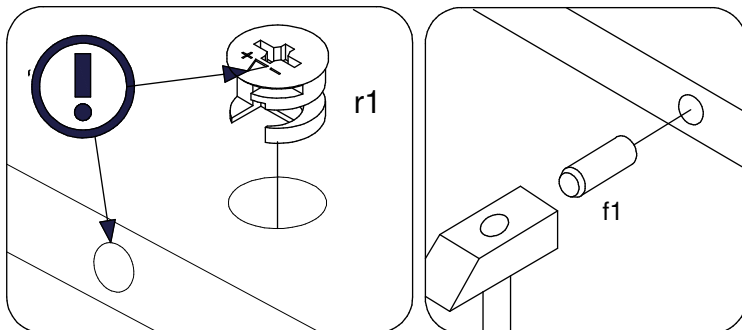
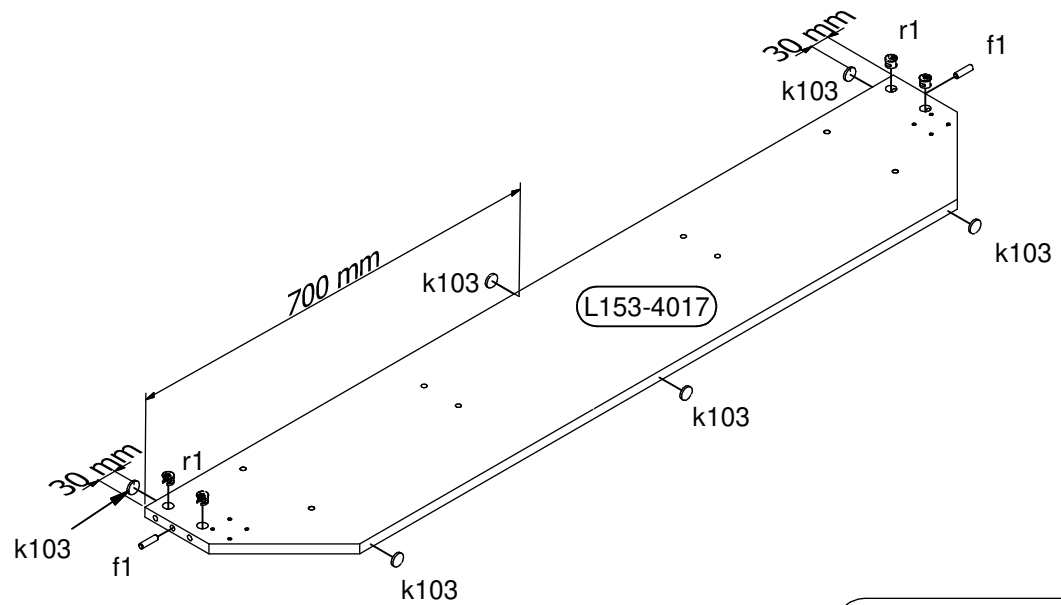
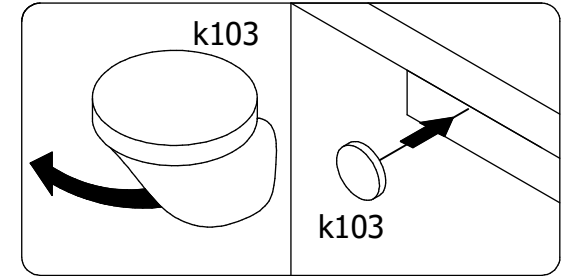
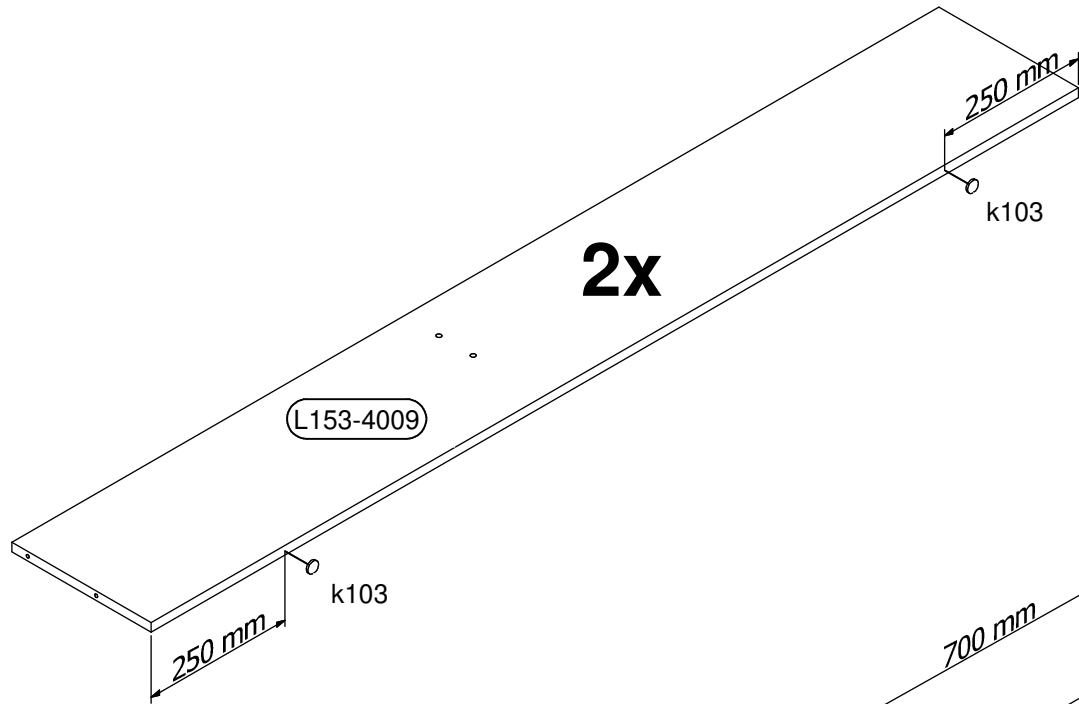
r1
15x12 mm
4x



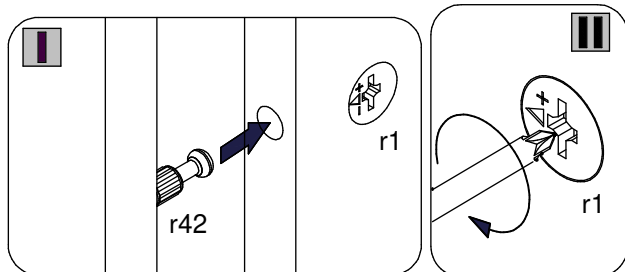
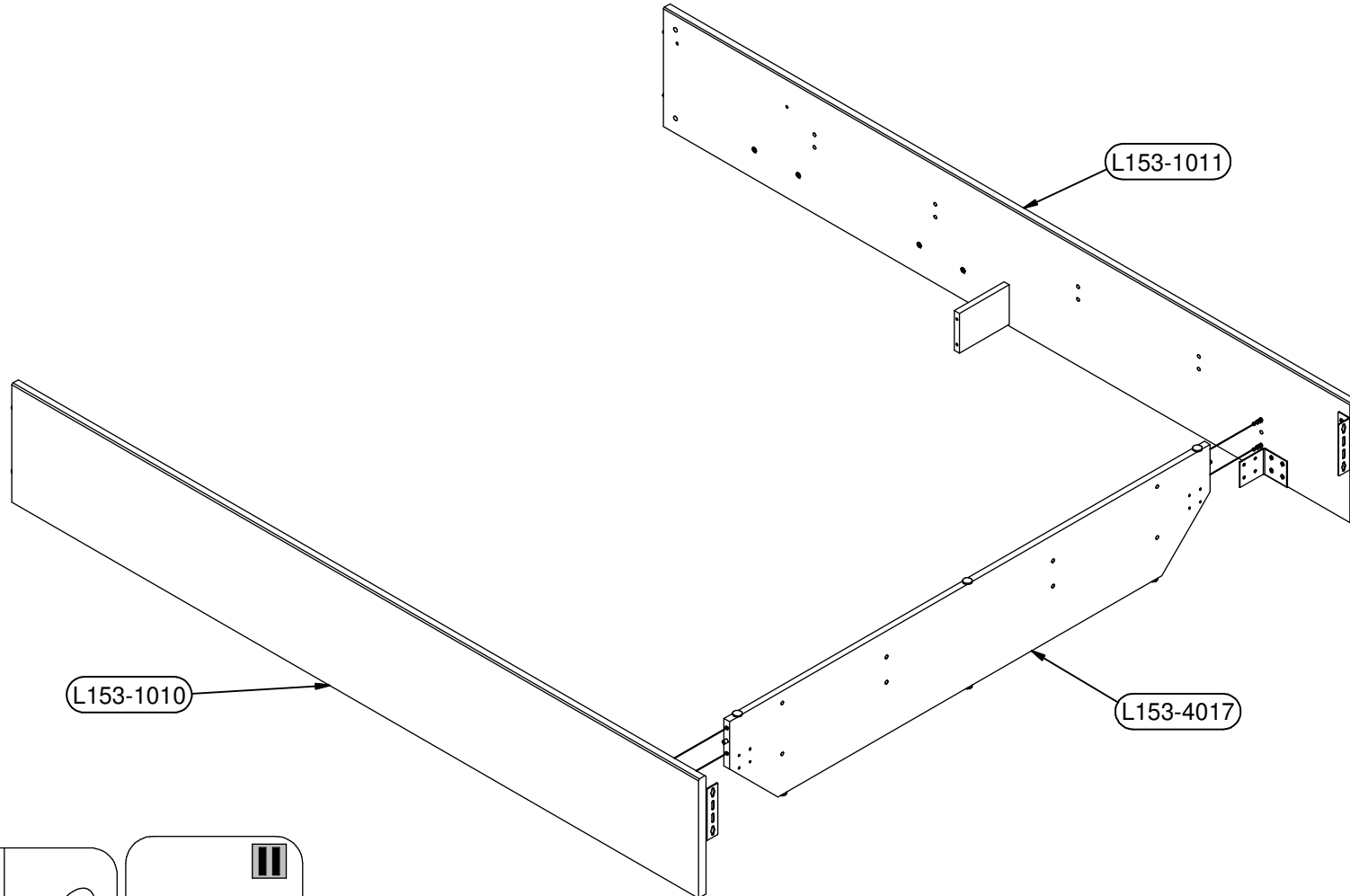


3

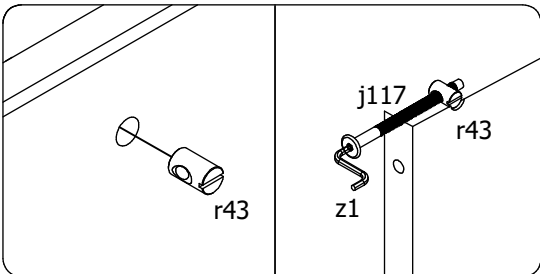
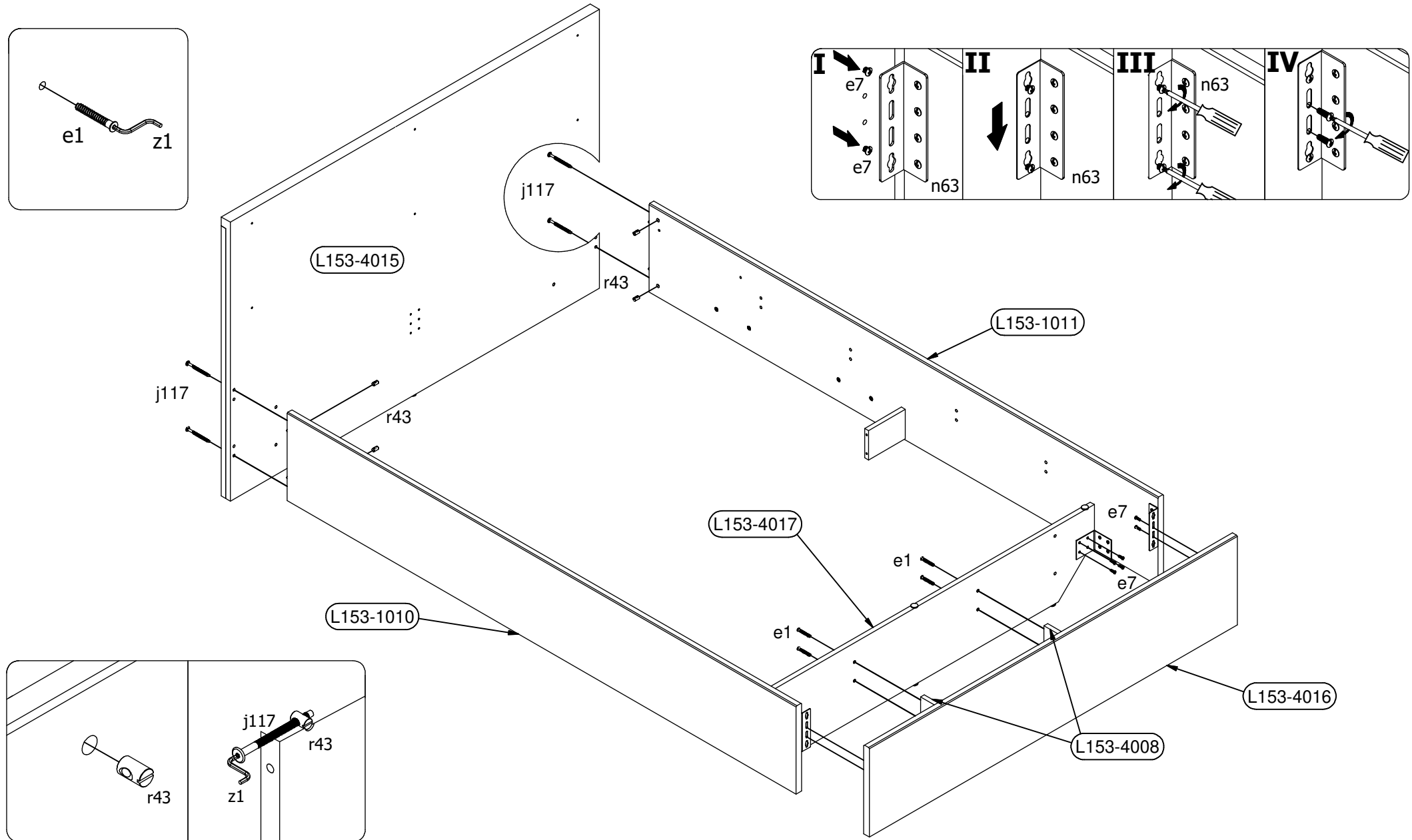
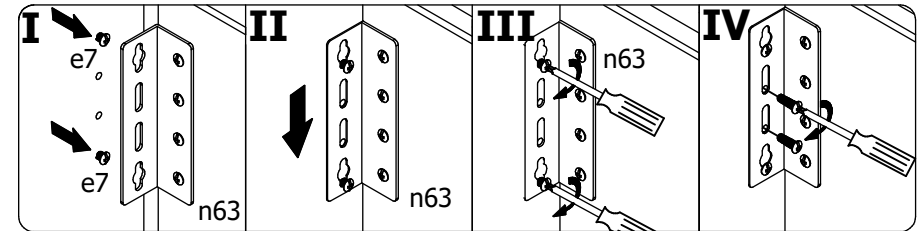
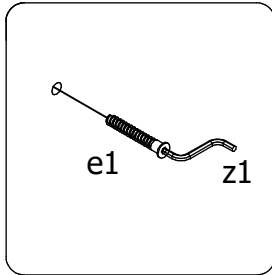
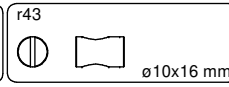
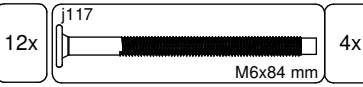
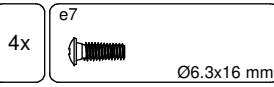
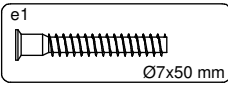
 f1 Ø8x30 mm	2x	 k103 ø20x3,5 mm	10x	 r1 15x12 mm	4x
---	----	---	-----	---	----



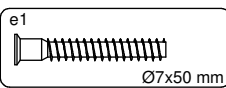
4



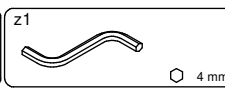
5



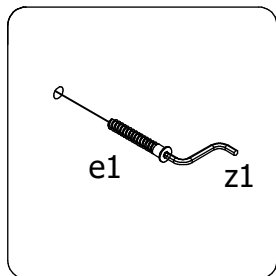
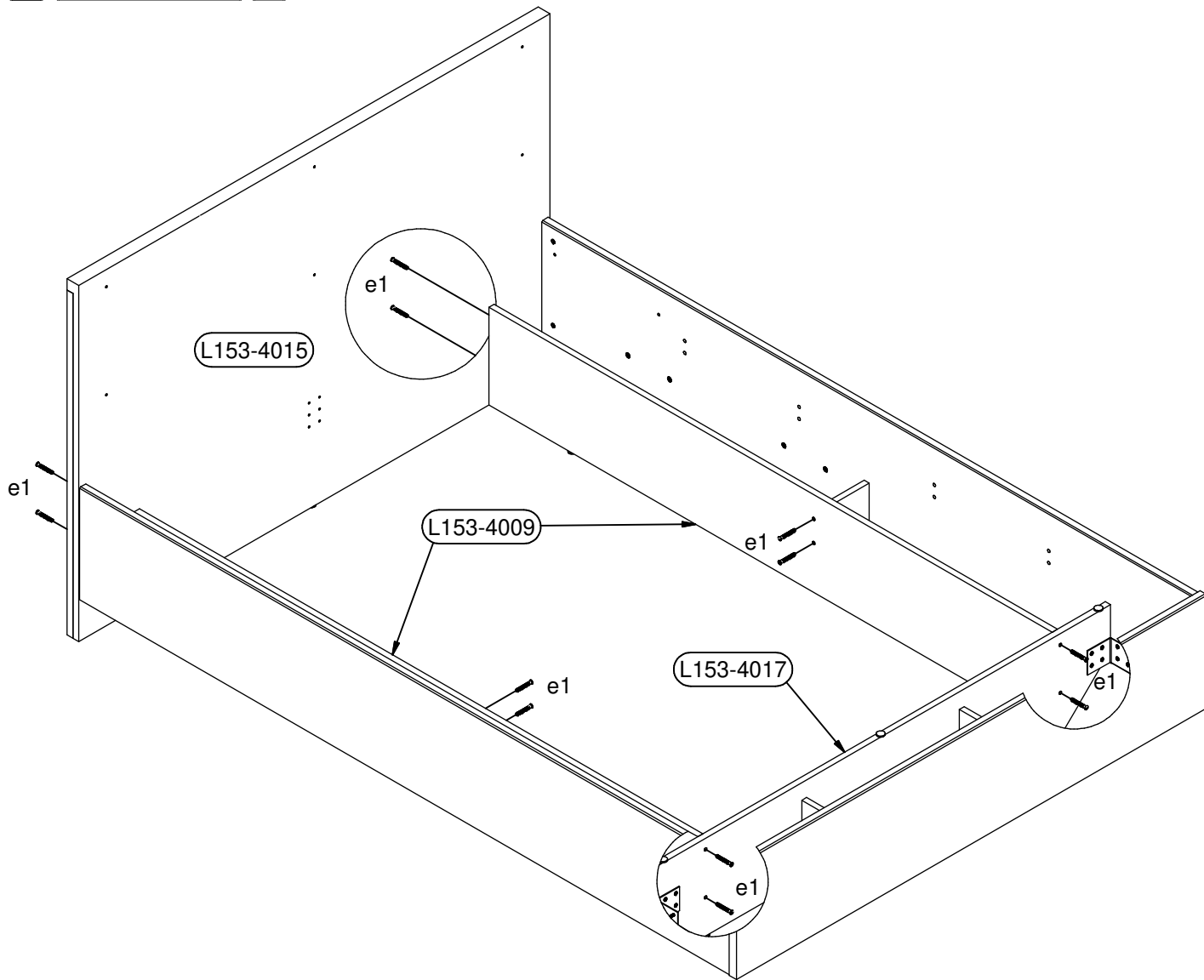
6

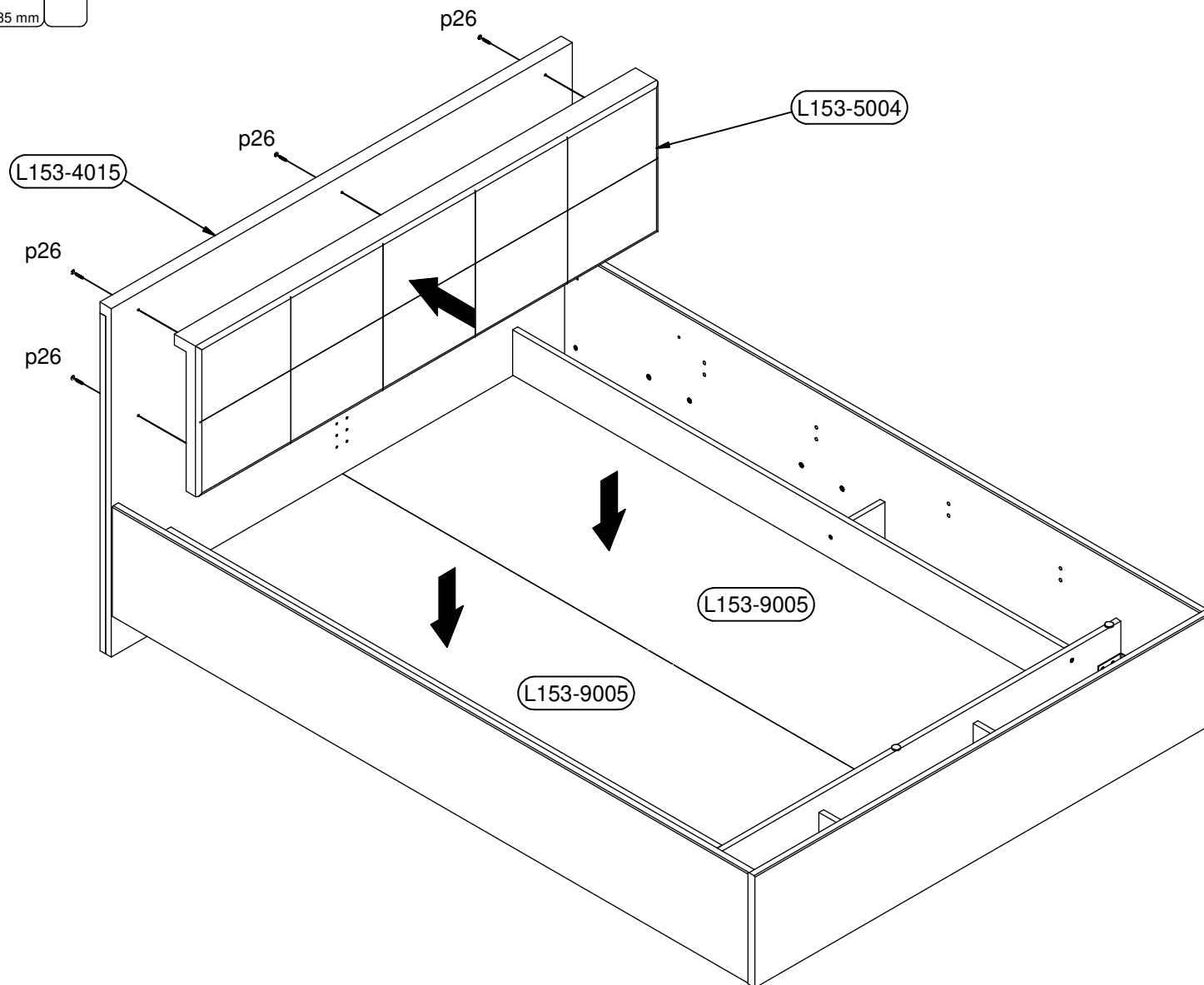
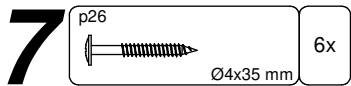


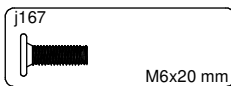
12x



1x





8

8x



1x

