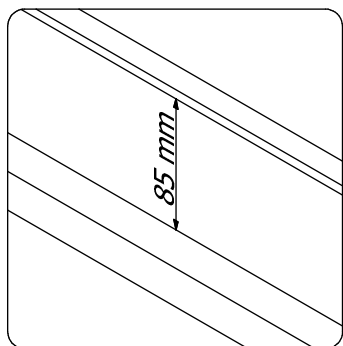
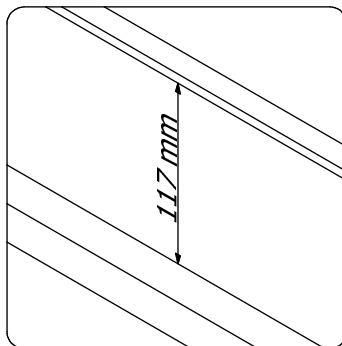
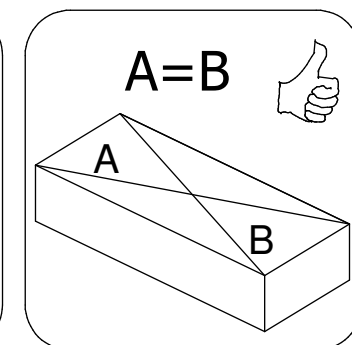
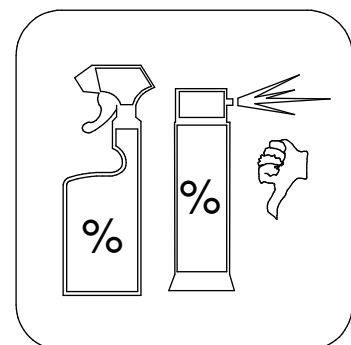
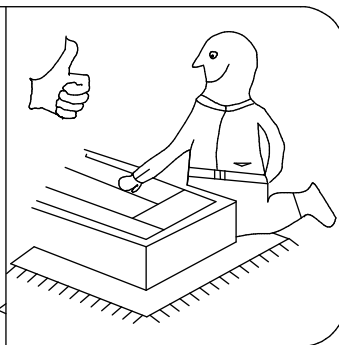
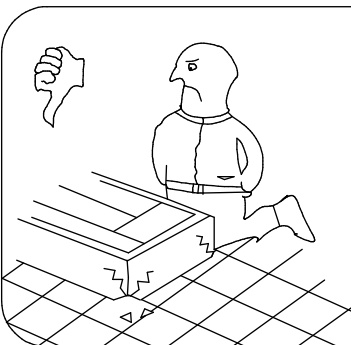
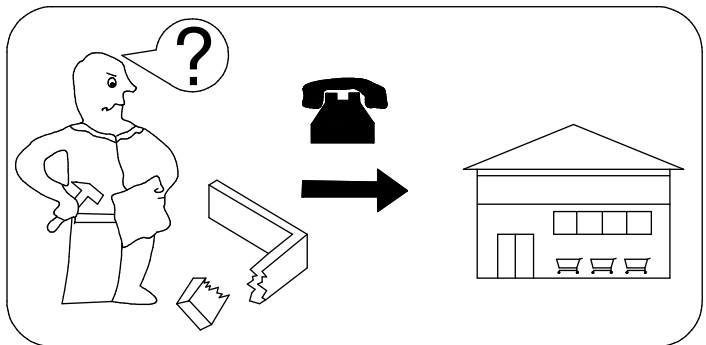
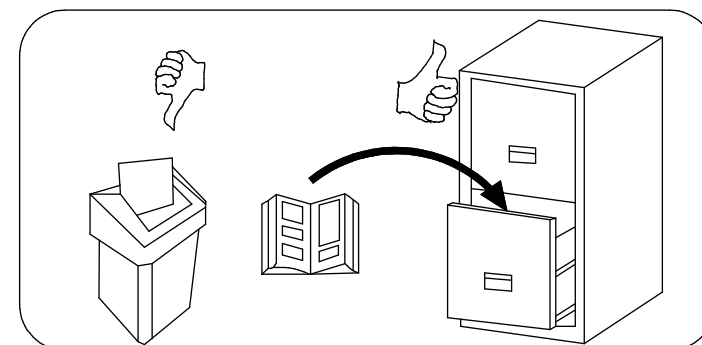
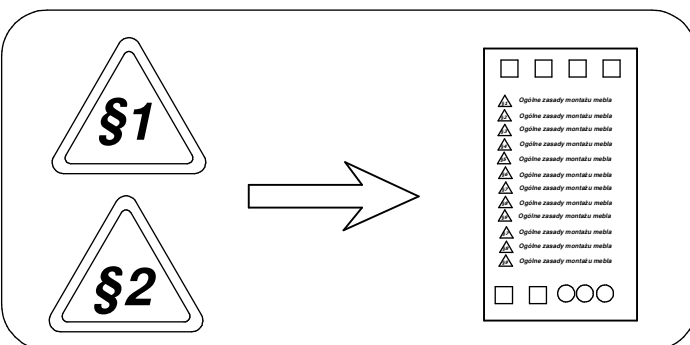
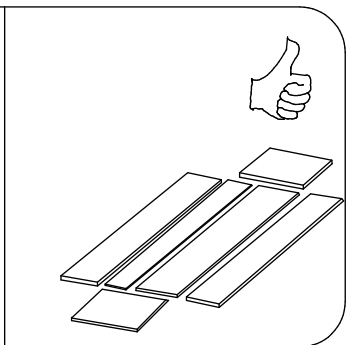
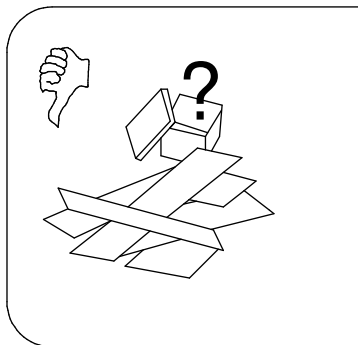
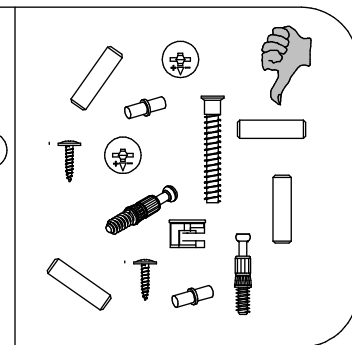
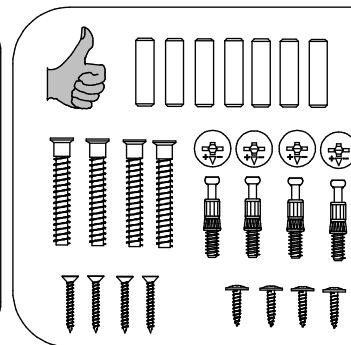
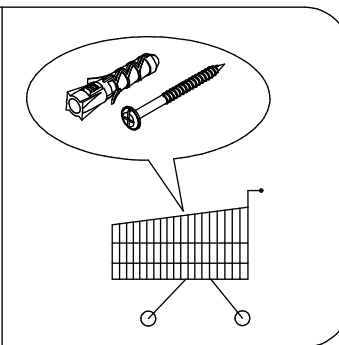
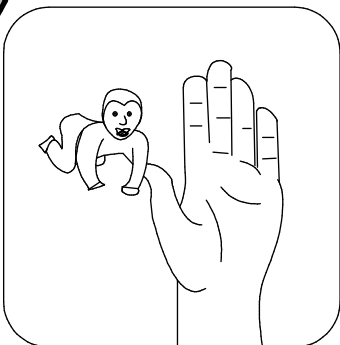
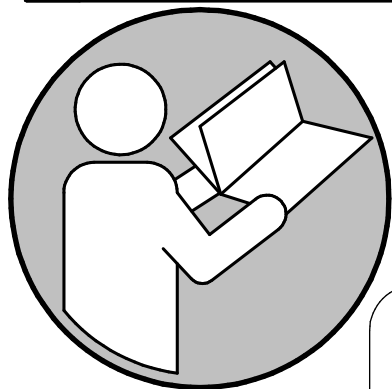


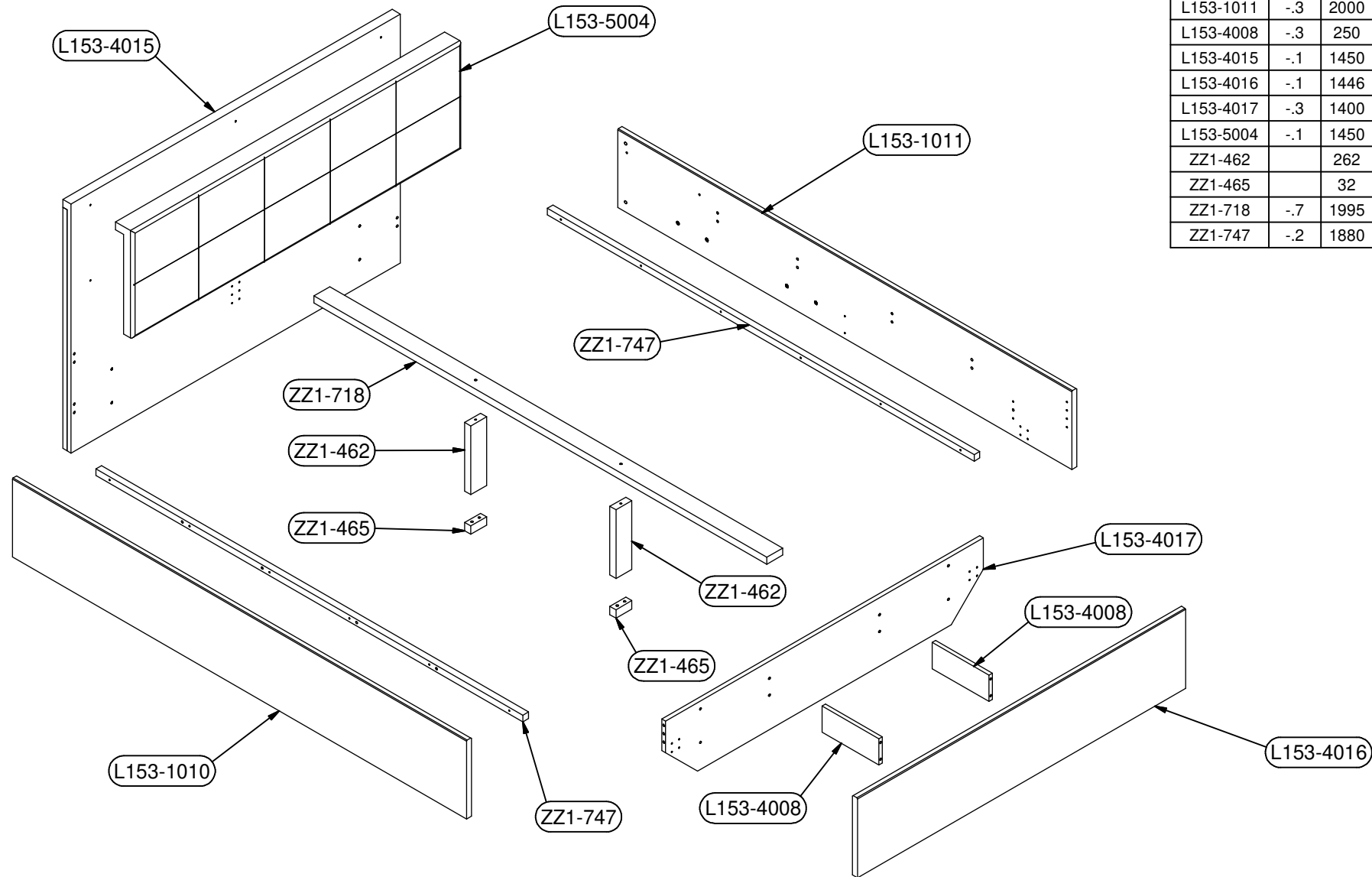
A



B

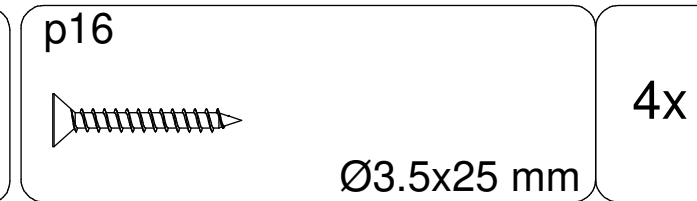
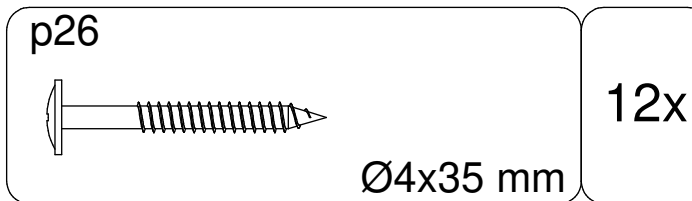
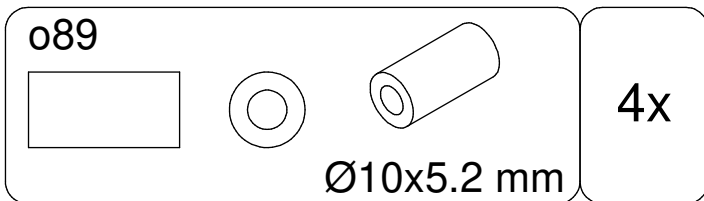
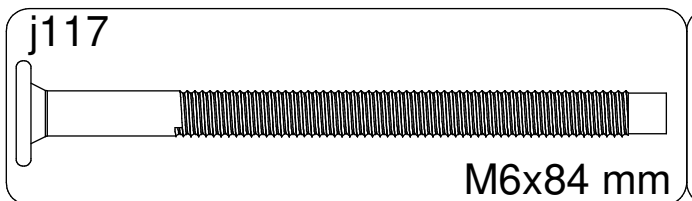
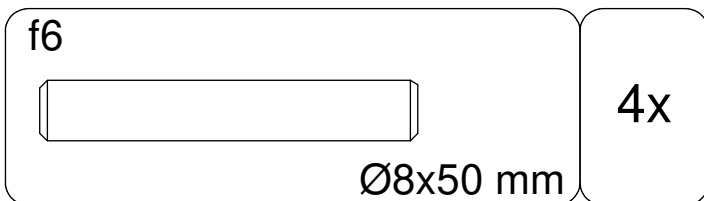
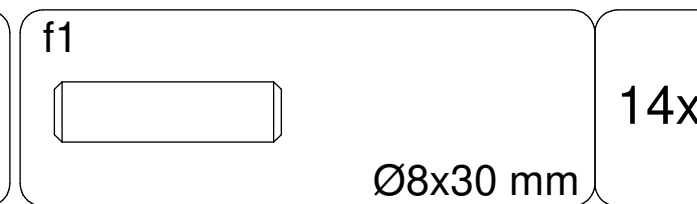
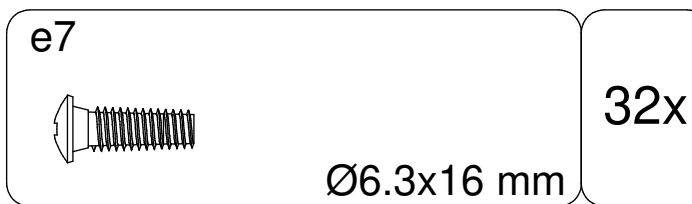
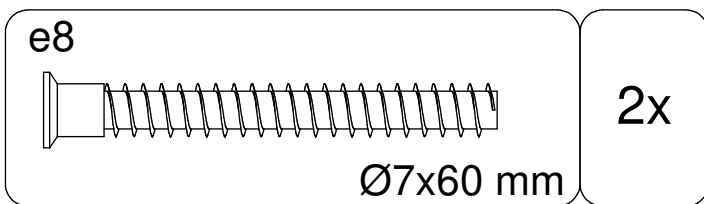
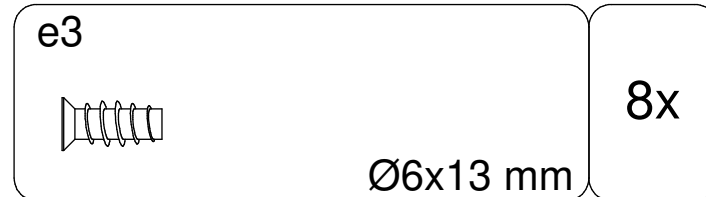
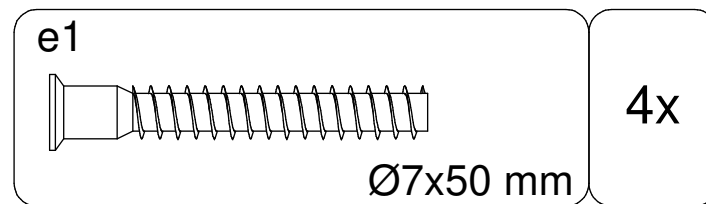
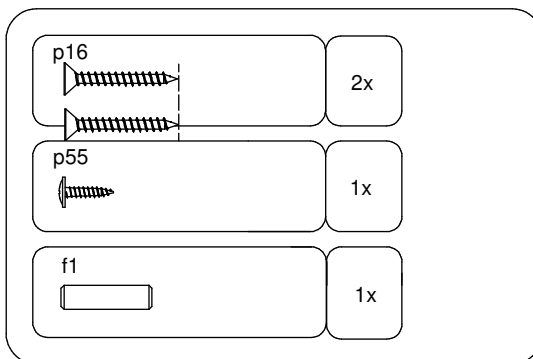
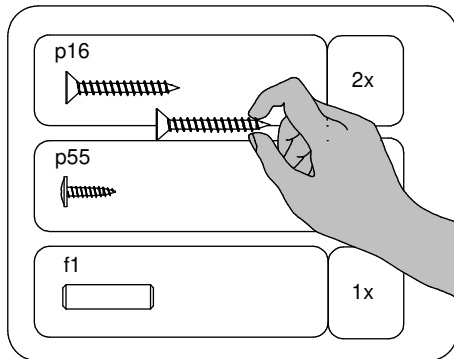






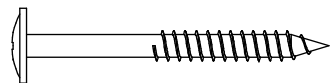
B1	B2	C1	C2	C3	C4	D
L153-1010	-3	2000	300	22	1	3/4
L153-1011	-3	2000	300	22	1	3/4
L153-4008	-3	250	100	15	2	3/4
L153-4015	-1	1450	950	36	1	1/4
L153-4016	-1	1446	304	22	1	2/4
L153-4017	-3	1400	261	16	1	2/4
L153-5004	-1	1450	410	76	1	4/4
ZZ1-462		262	70	27	2	3/4
ZZ1-465		32	70	27	2	3/4
ZZ1-718	-7	1995	70	27	1	3/4
ZZ1-747	-2	1880	25	25	2	3/4

1:1



1:1

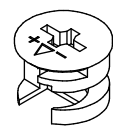
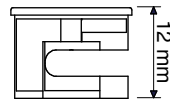
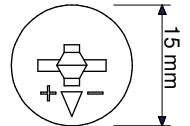
p10



Ø4x40 mm

16x

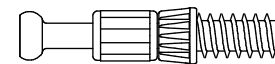
r1



15x12mm

8x

r42



8x

r43



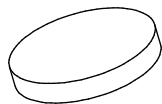
Ø10x16 mm

4x



~~**1:1**~~

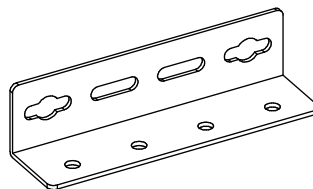
k103



Ø20x3.5 mm

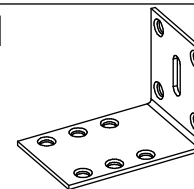
6x

n63



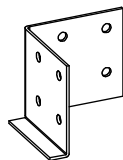
2x

n111



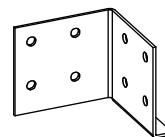
2x

n231\L



1x

n231\P

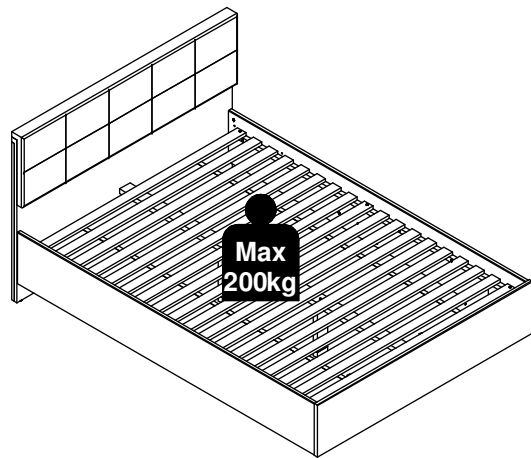
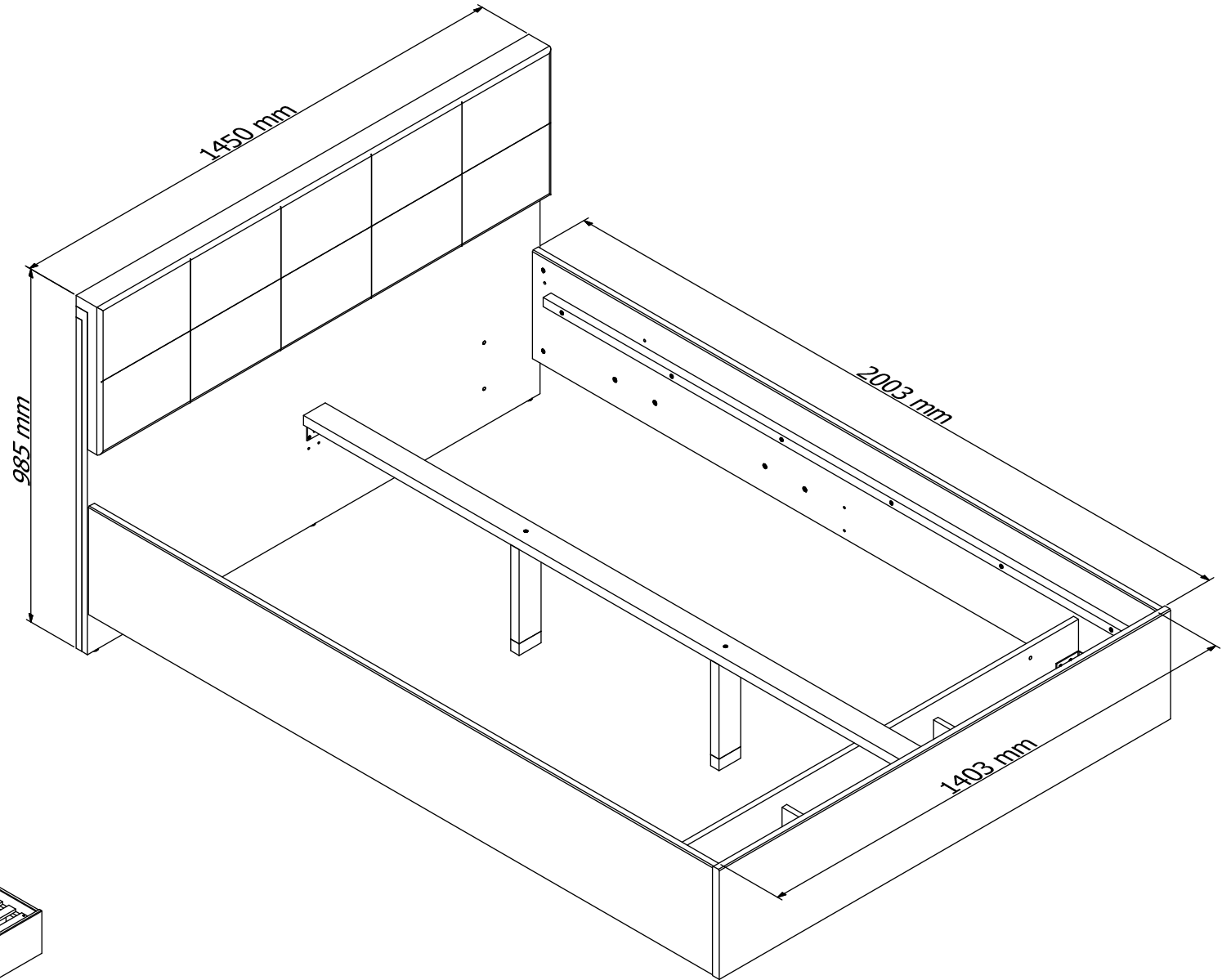
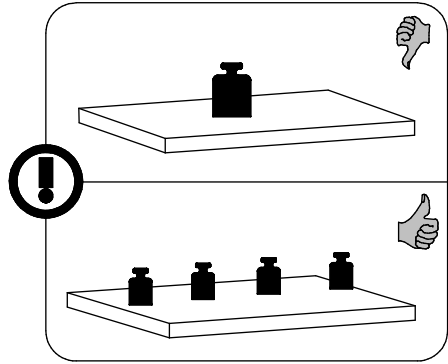


1x

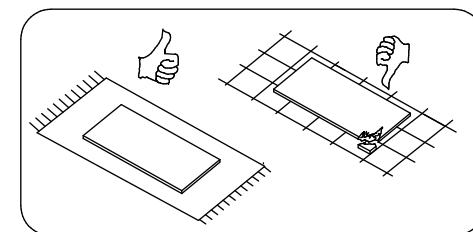
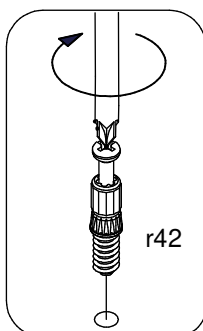
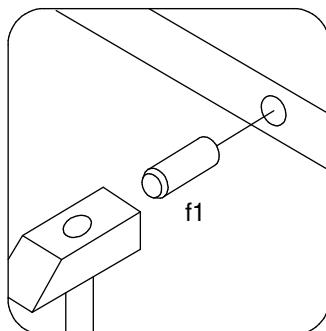
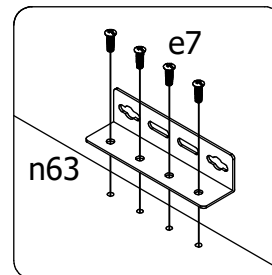
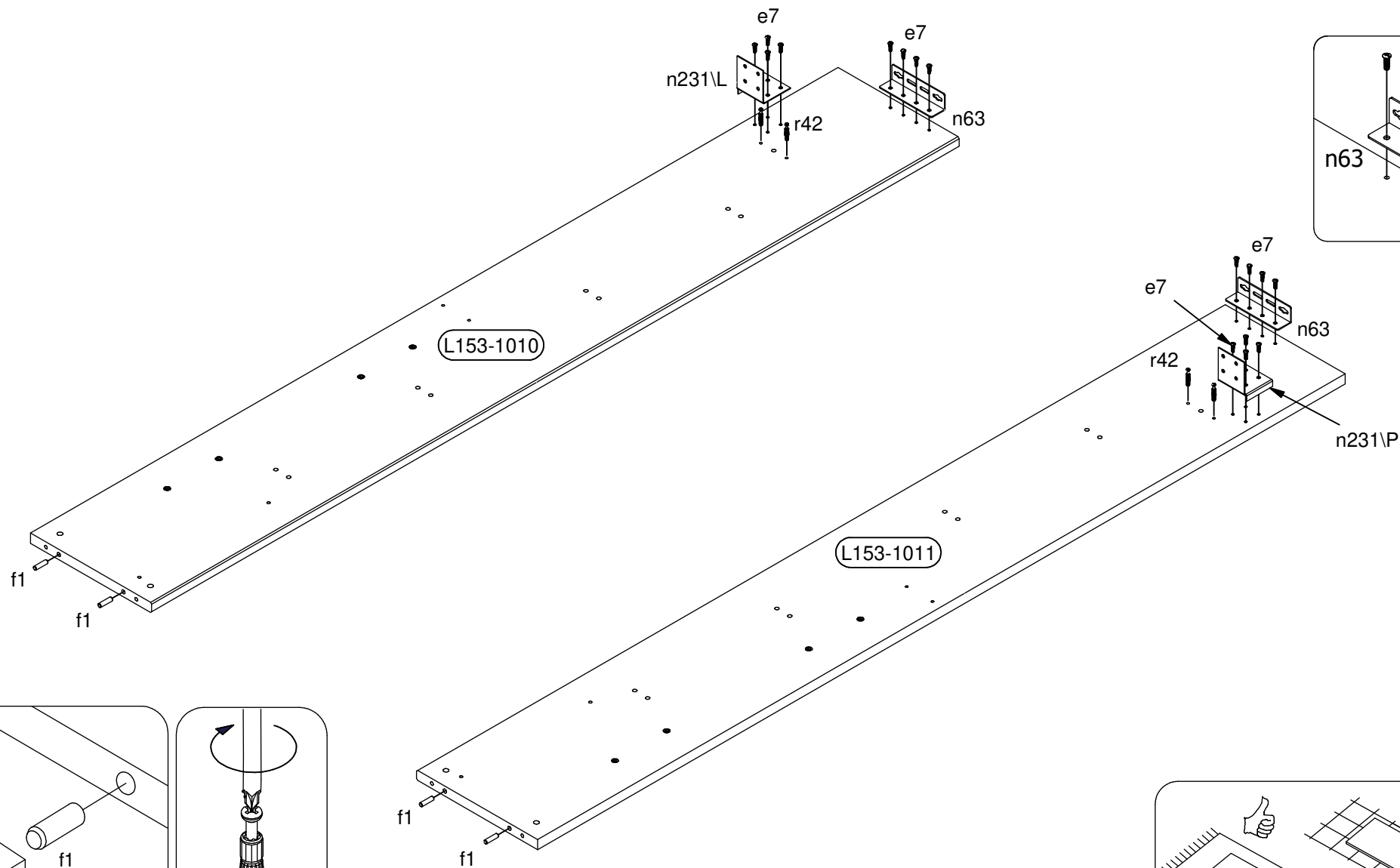
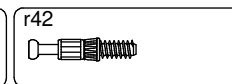
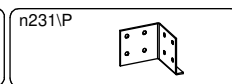
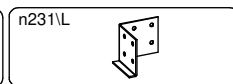
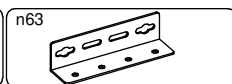
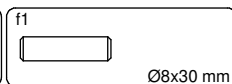
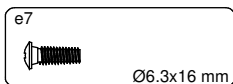
z1


 4 mm

1x




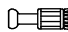
1

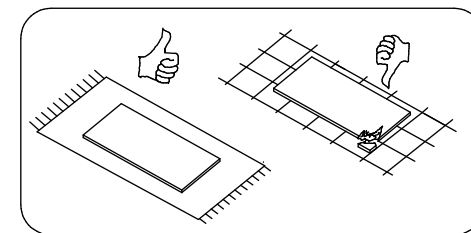
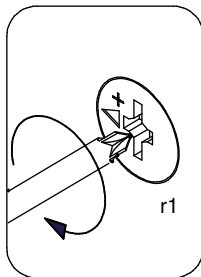
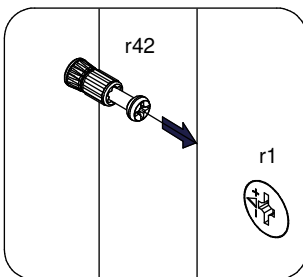
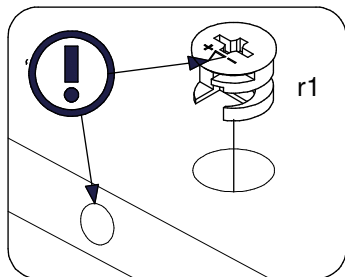
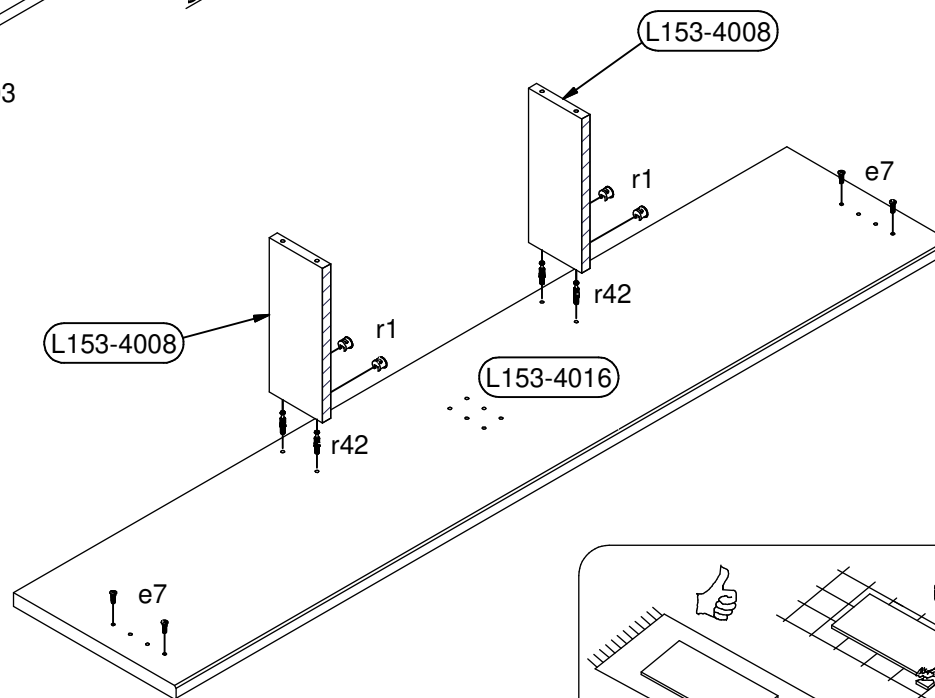
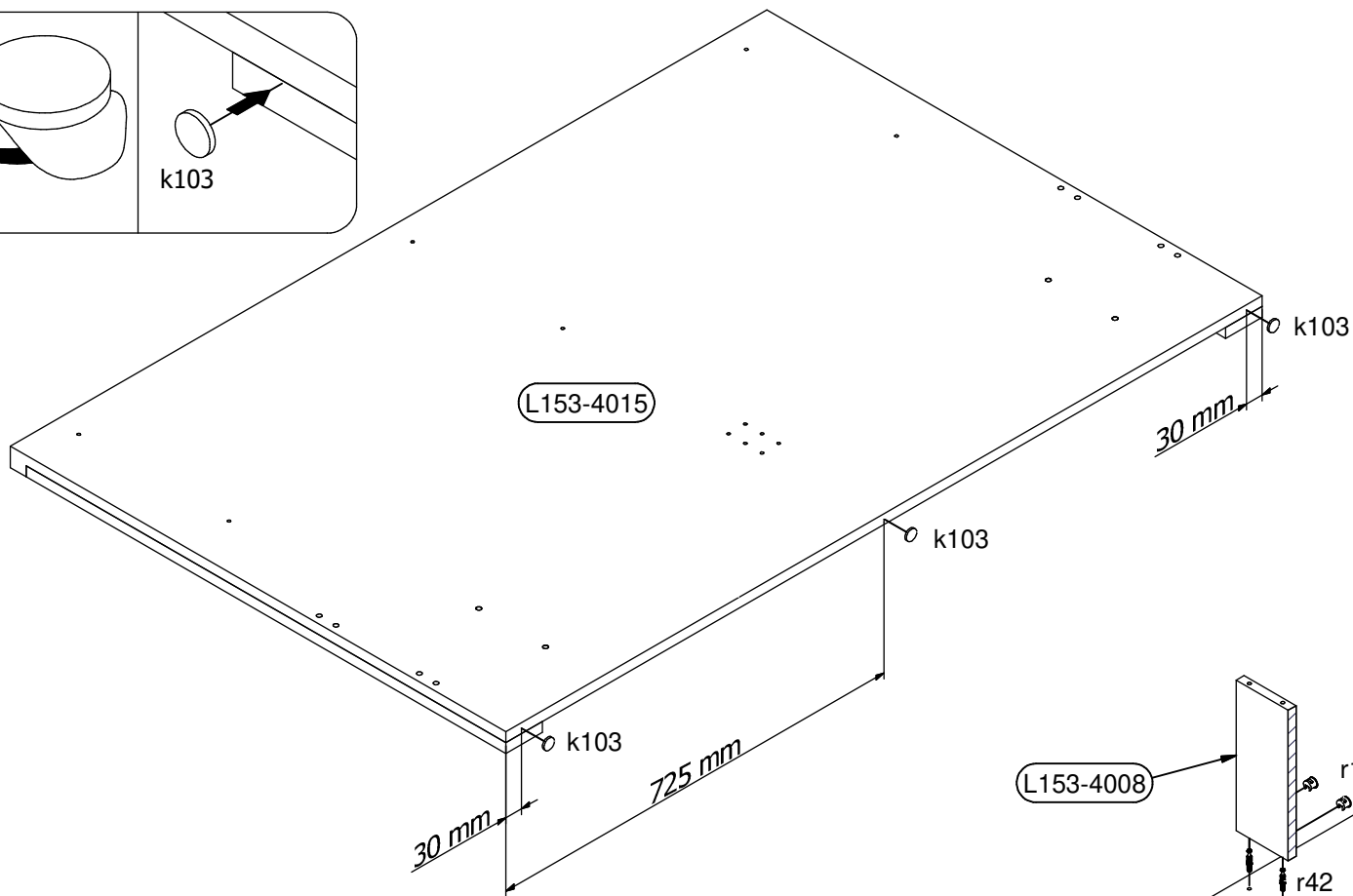
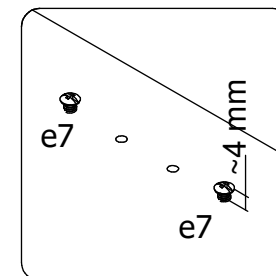
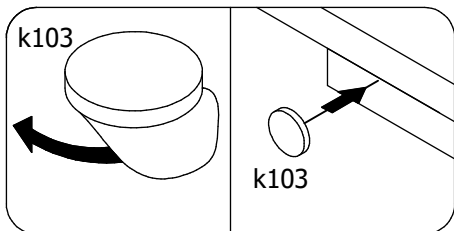


2 ^{e7}  Ø6.3x16 mm 4x

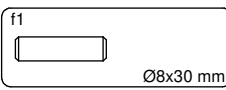
^{k103}  Ø20x3.5 mm 3x

^{r1}  15x12mm 4x

^{r42}  4x



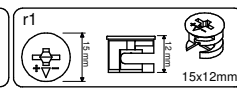
3



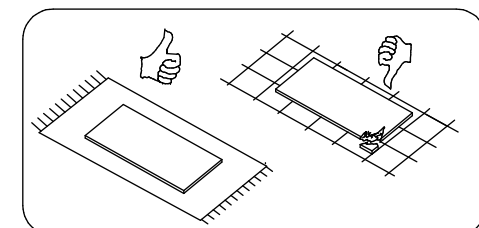
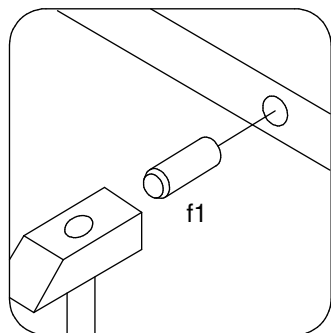
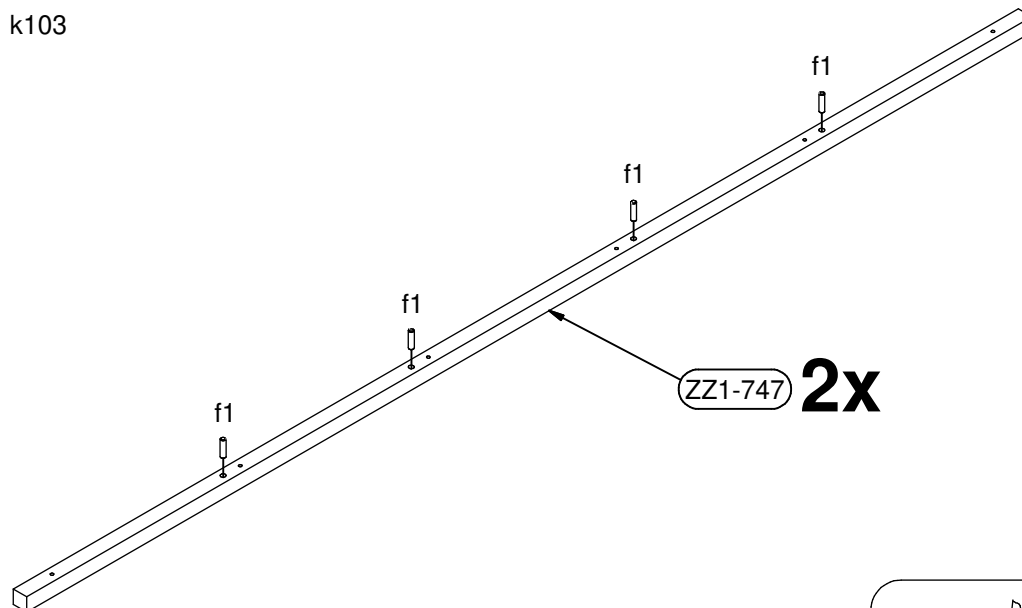
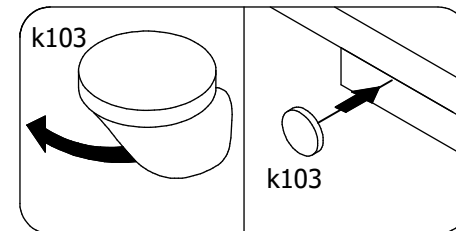
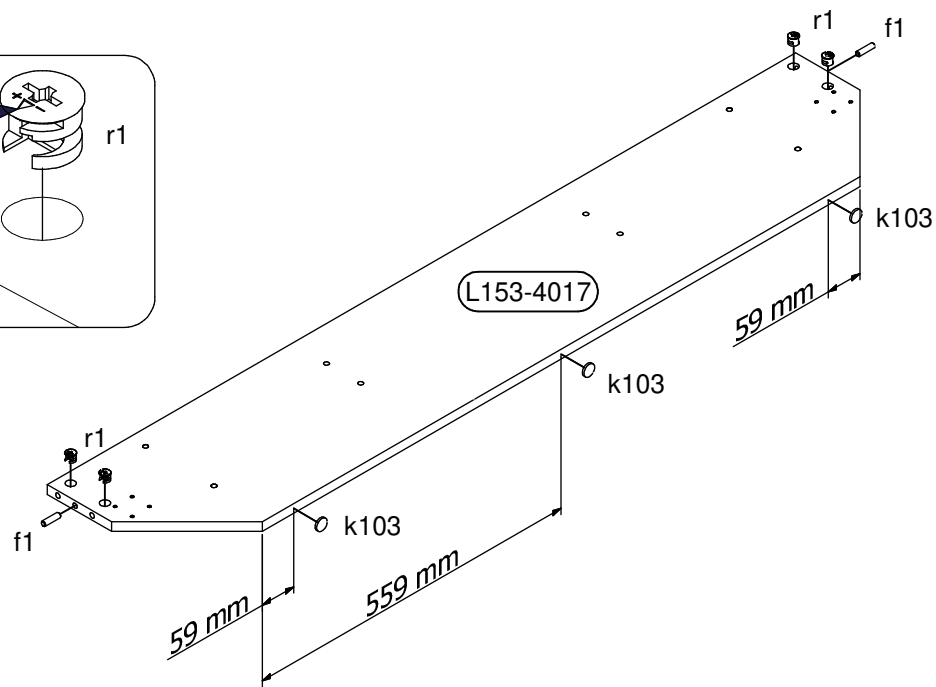
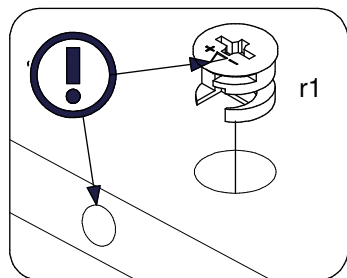
10x



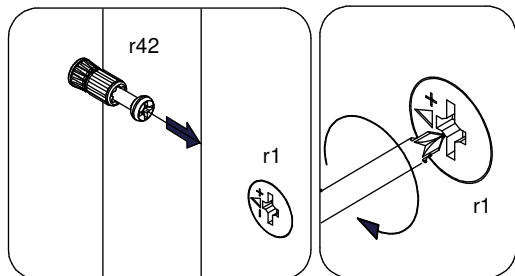
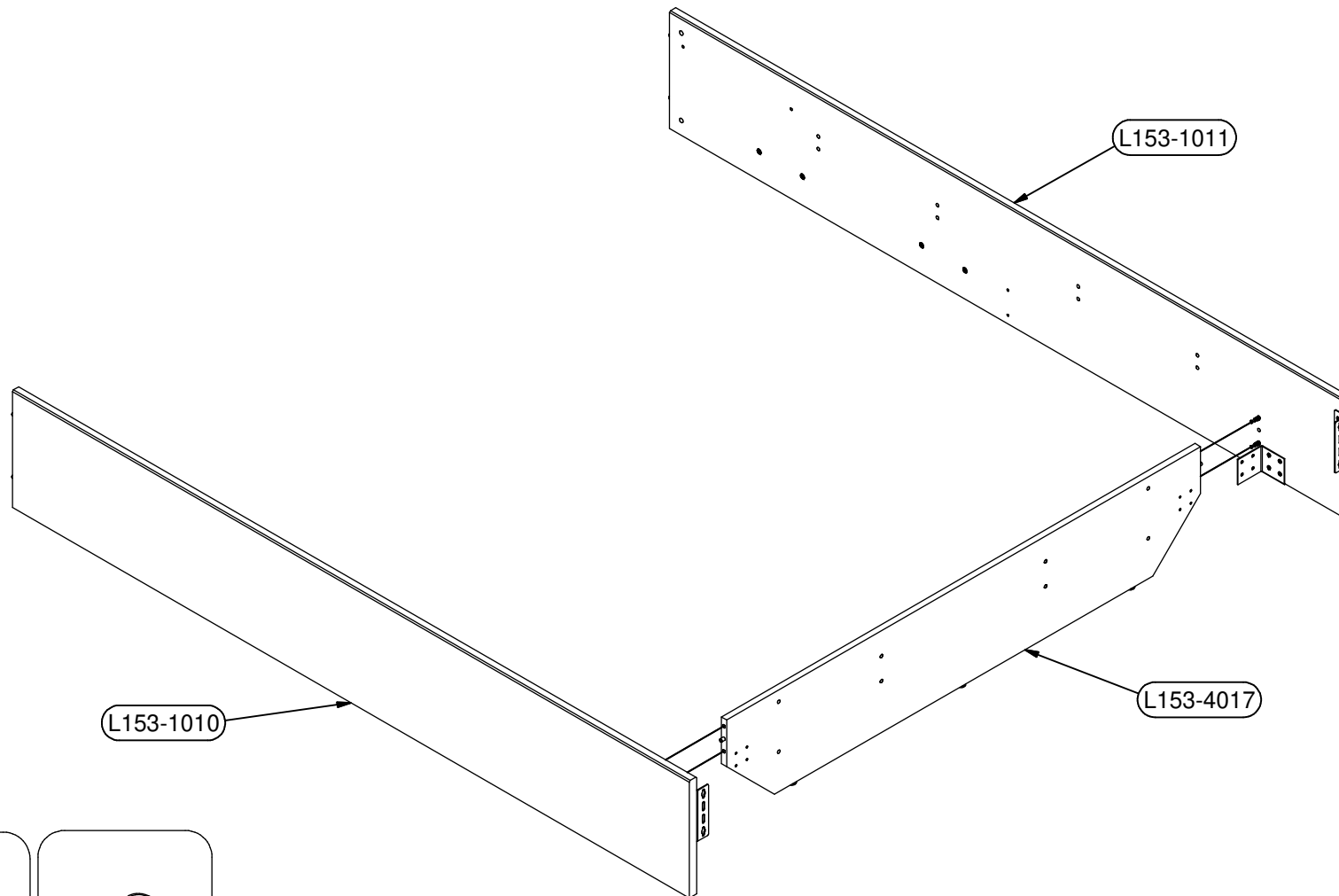
3x



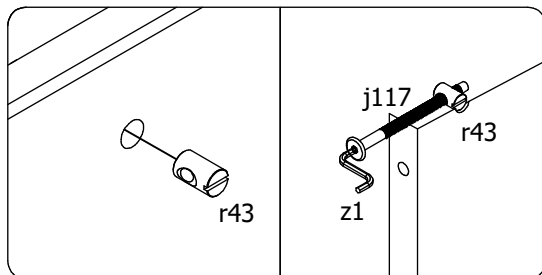
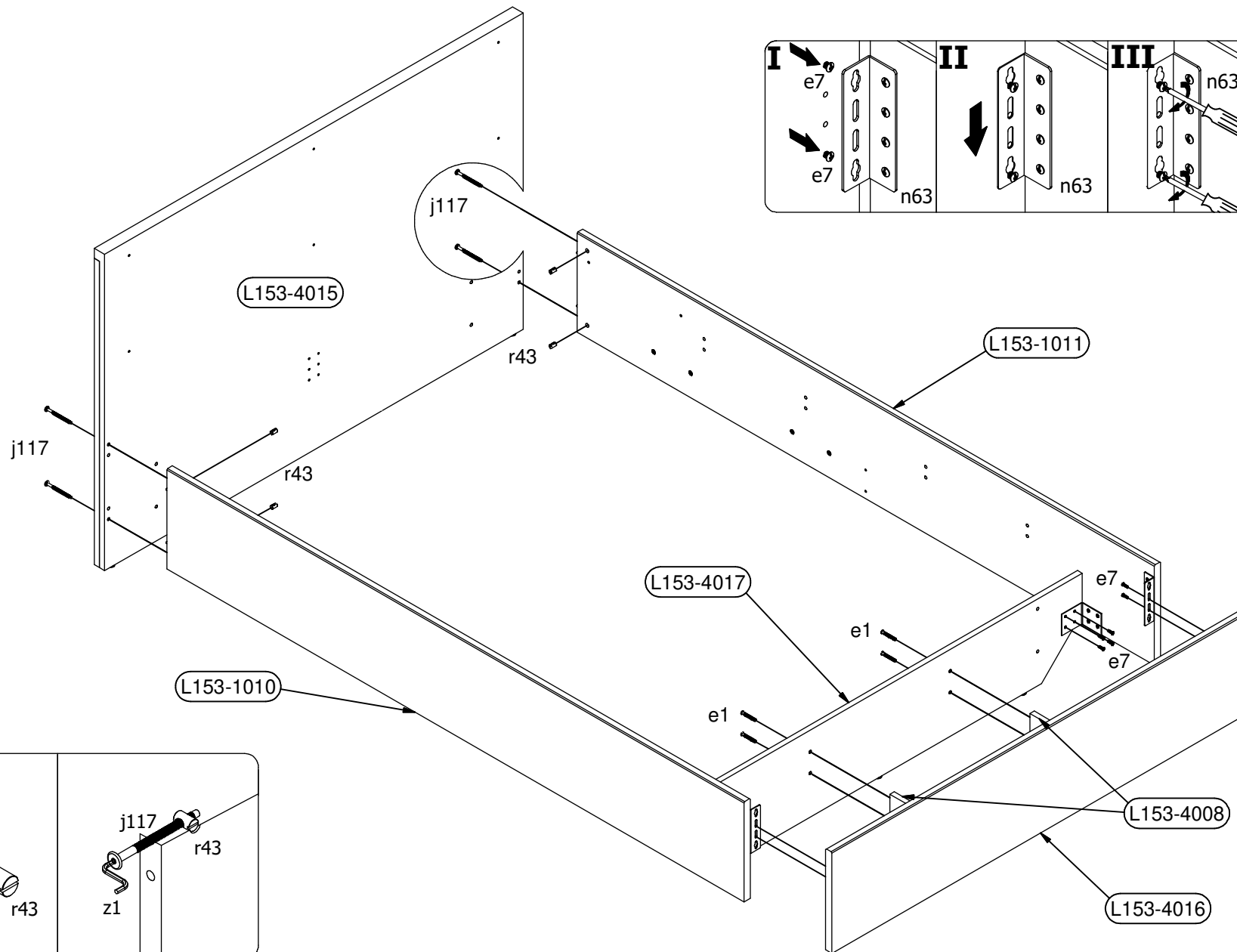
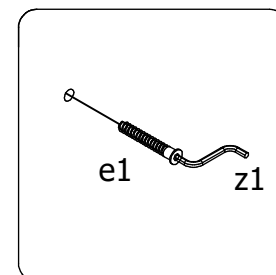
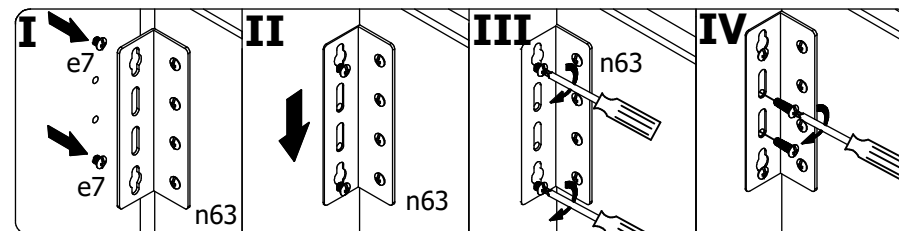
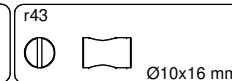
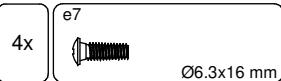
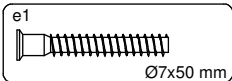
4x



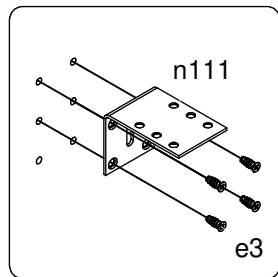
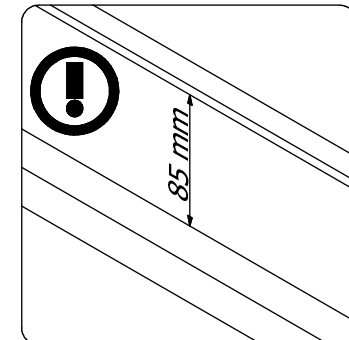
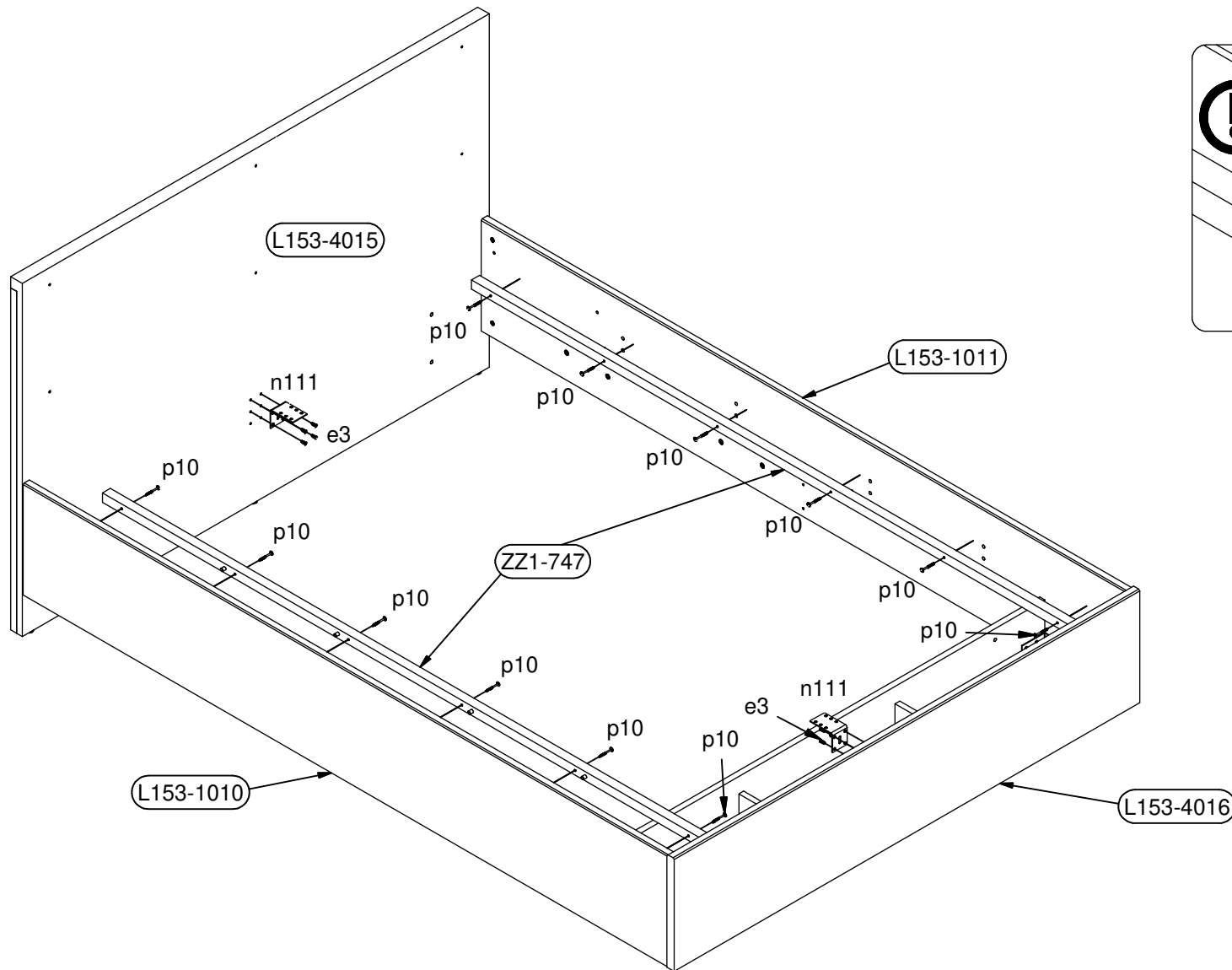
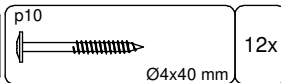
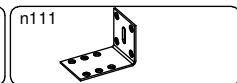
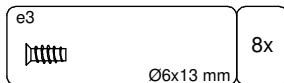
4



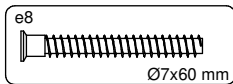
5



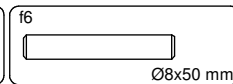
6A



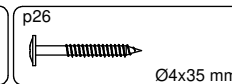
7A



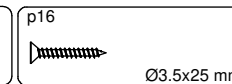
2x



4x



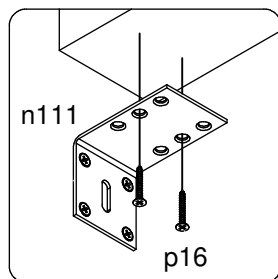
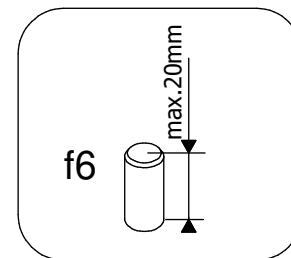
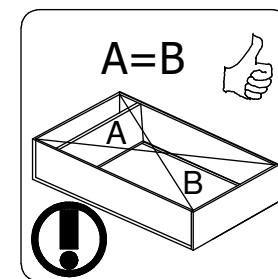
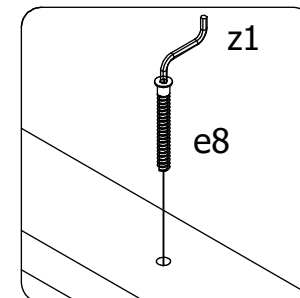
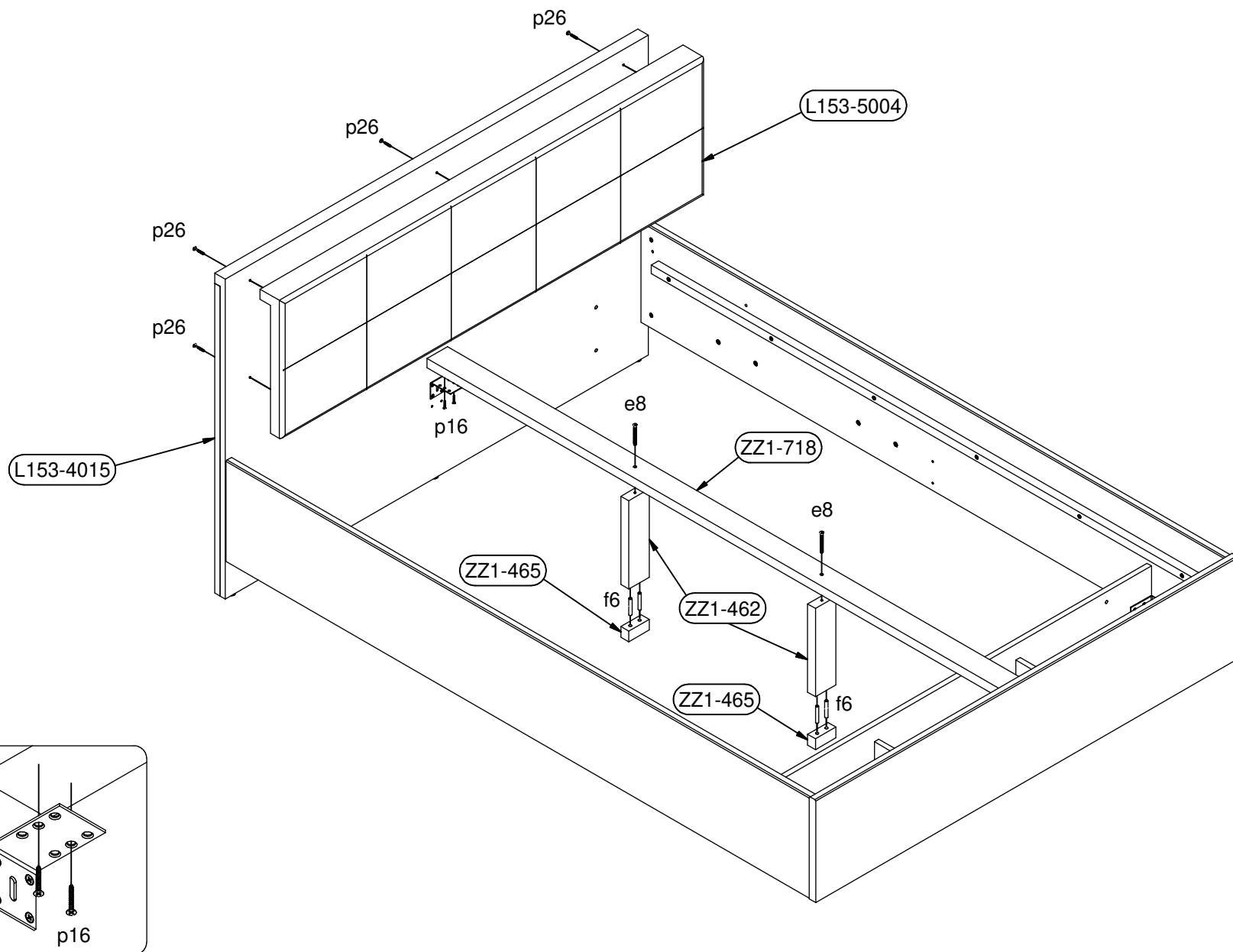
6x



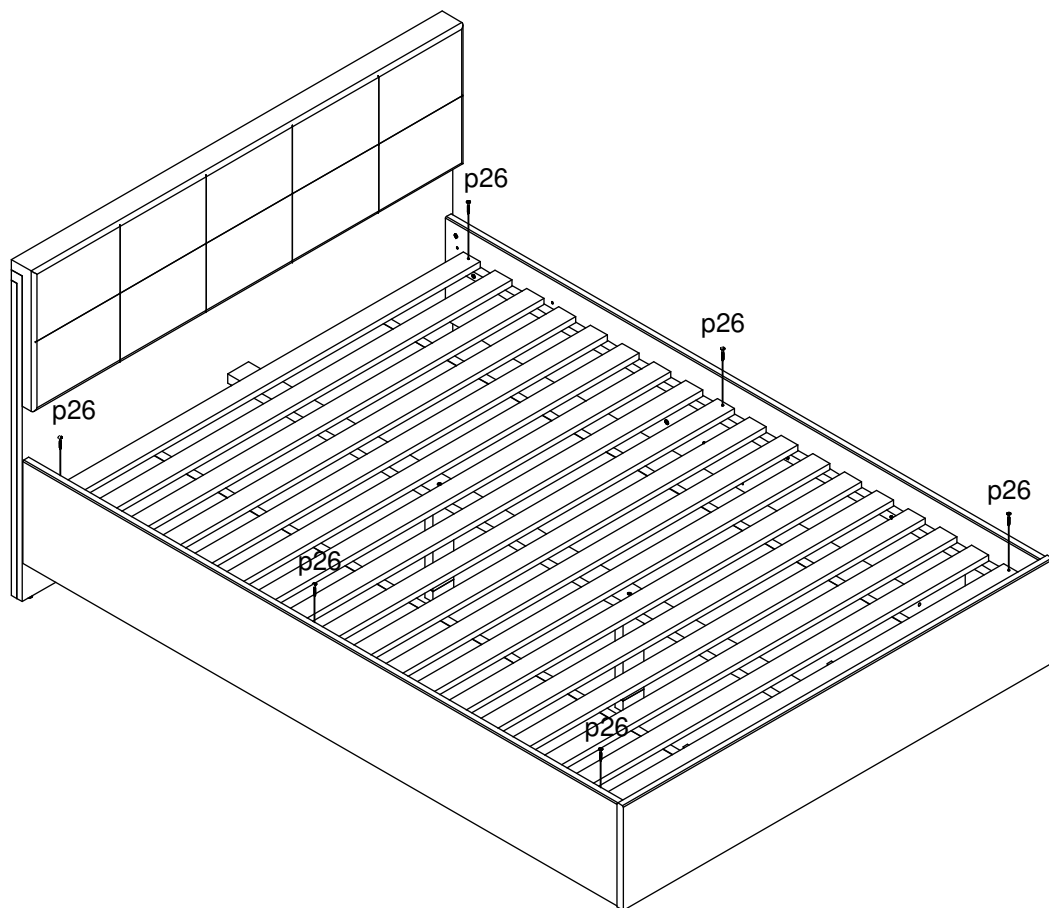
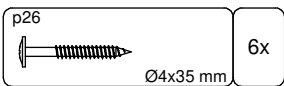
4x



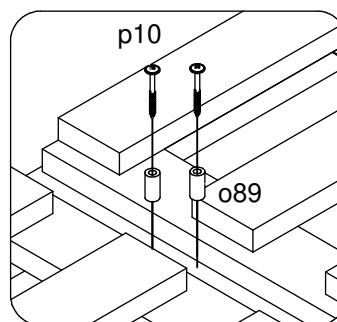
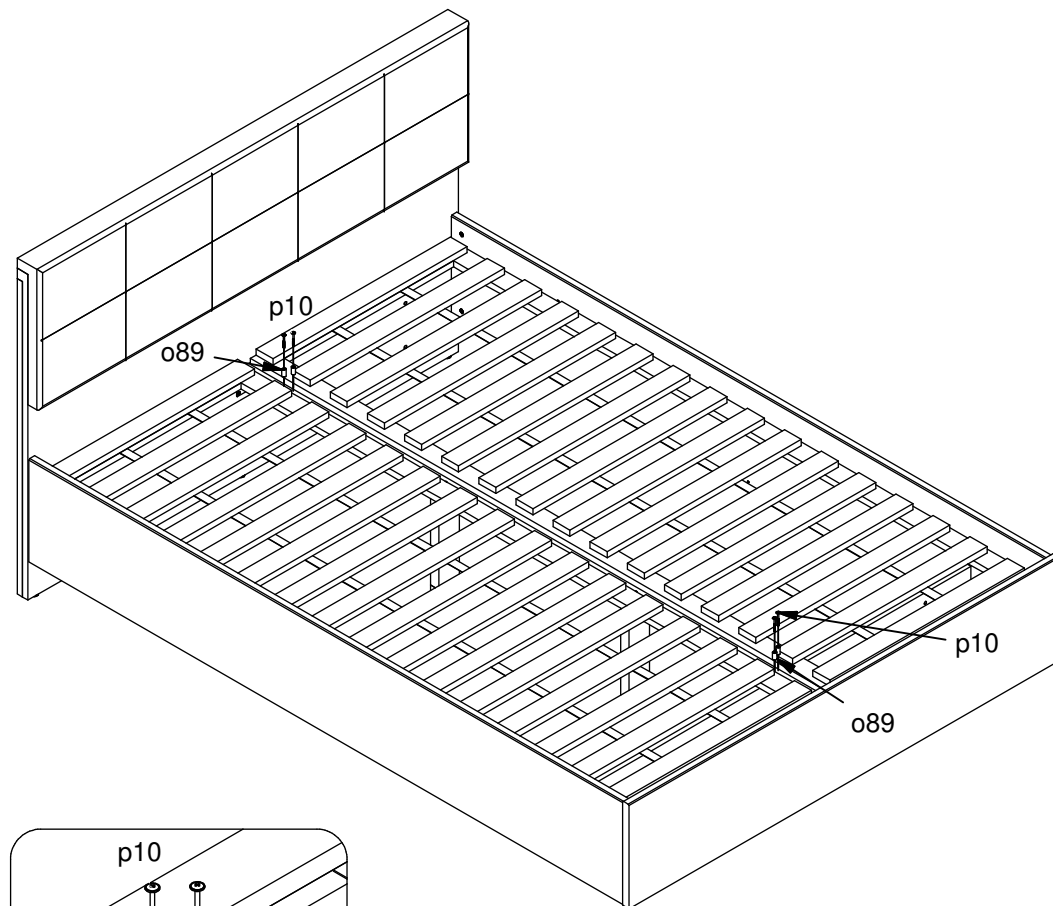
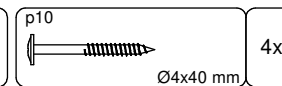
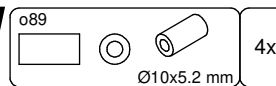
1x



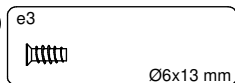
8A.I



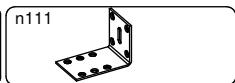
8A.II



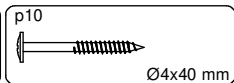
6B



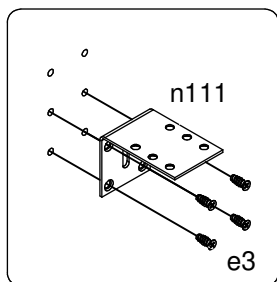
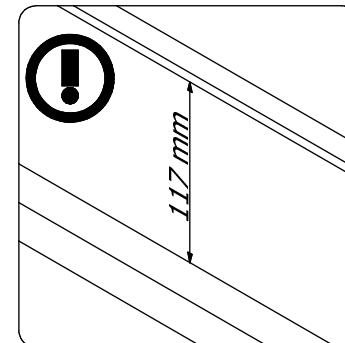
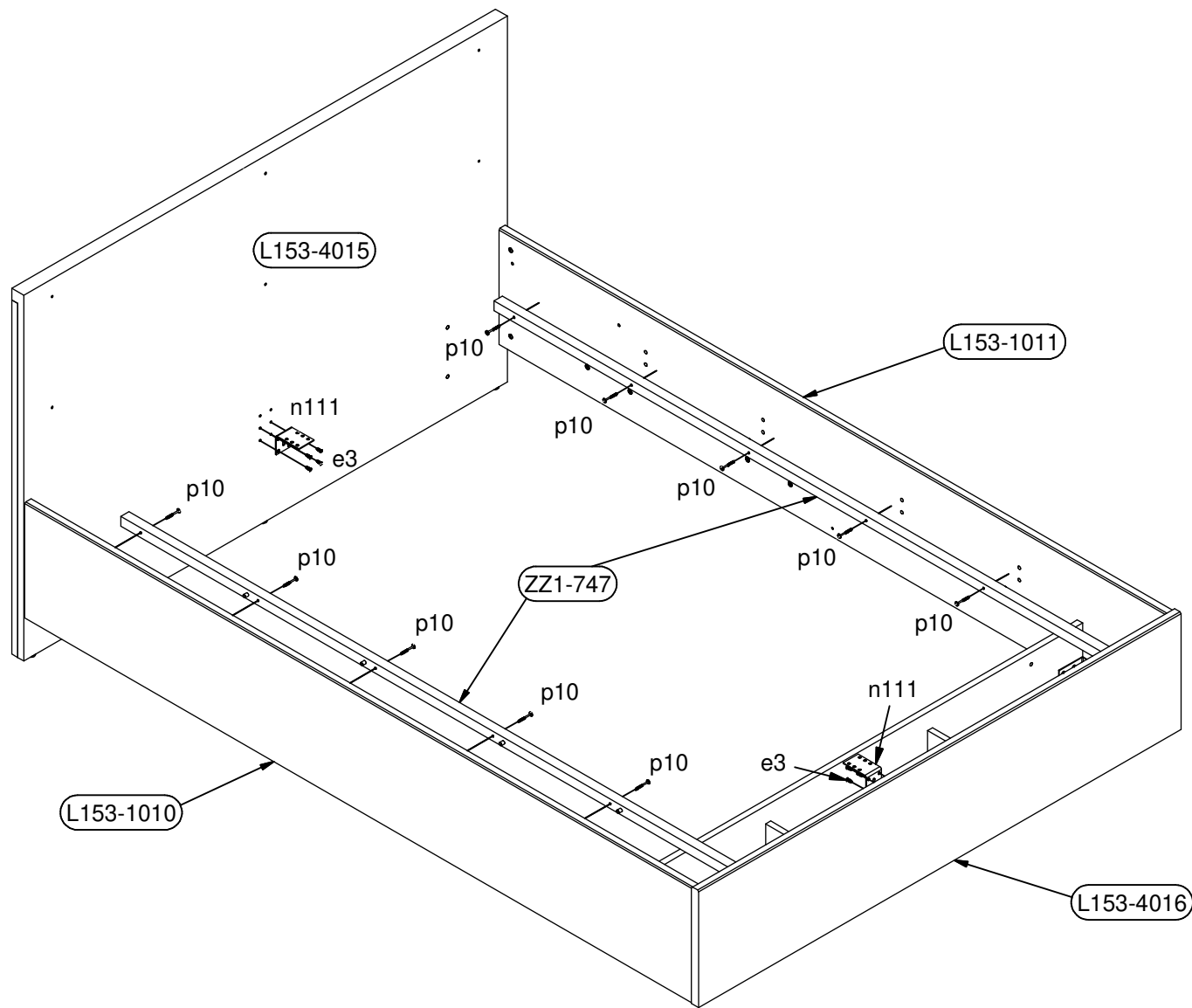
8x



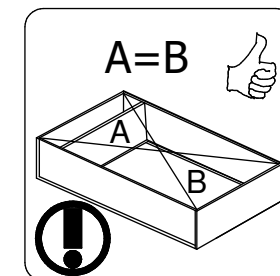
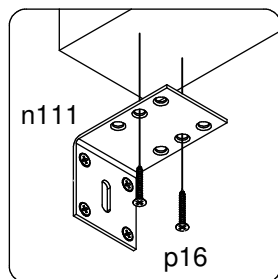
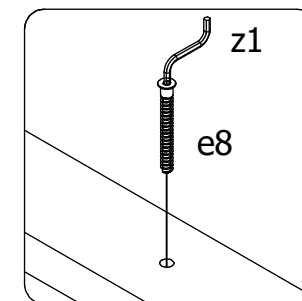
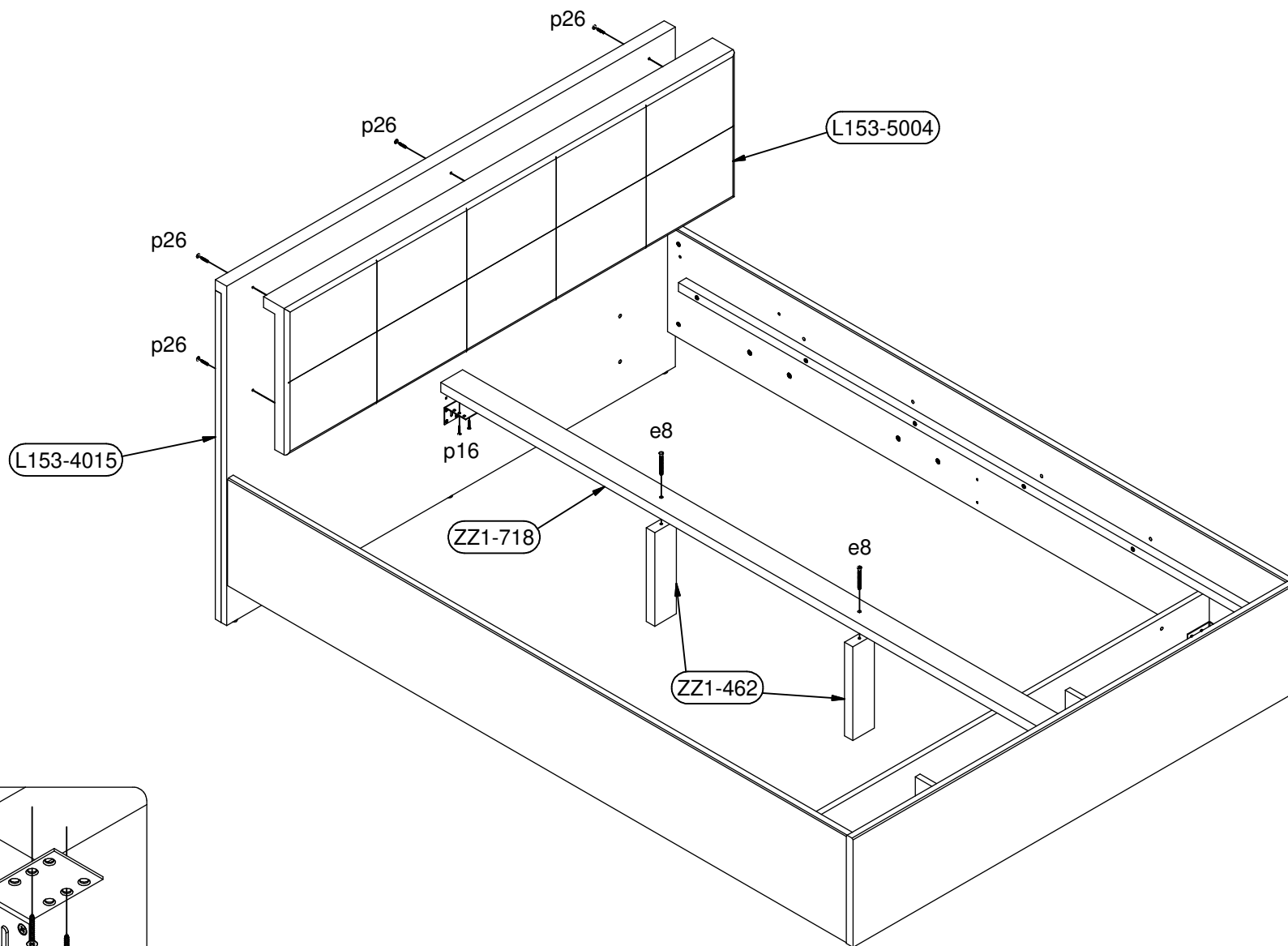
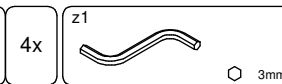
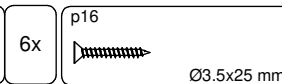
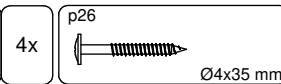
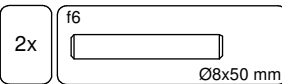
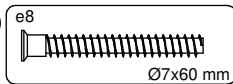
2x



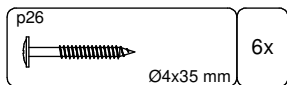
12x



7B



8B.I



8B.II

