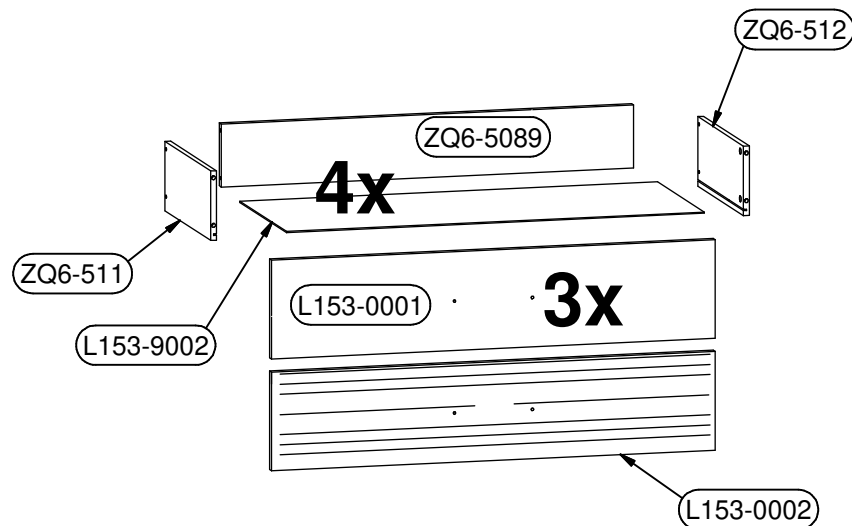
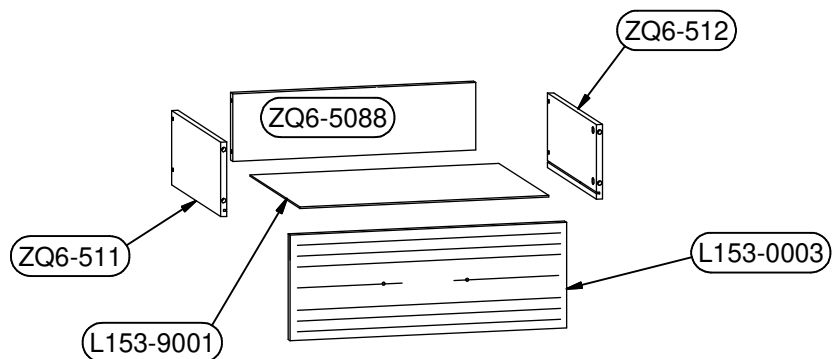
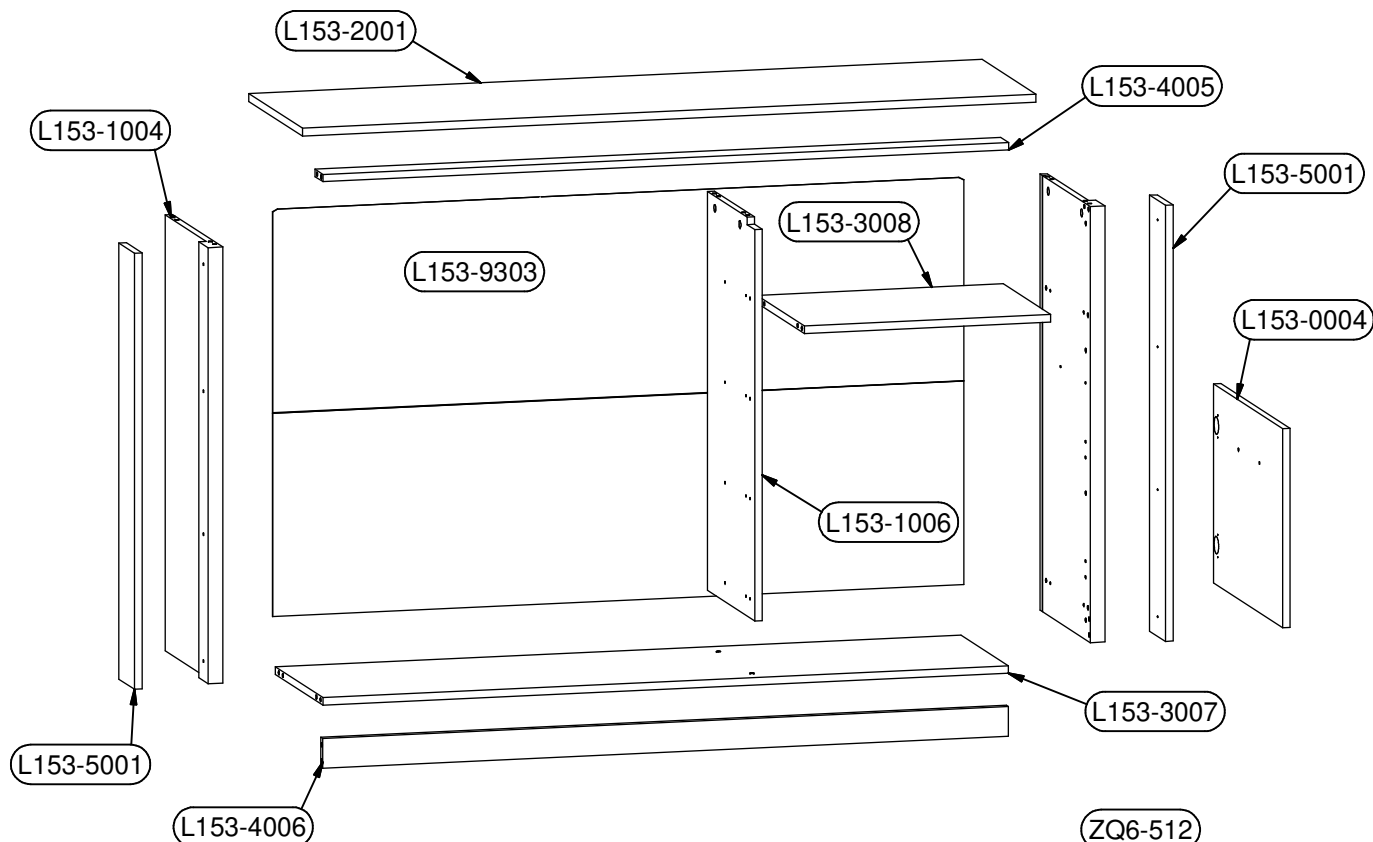
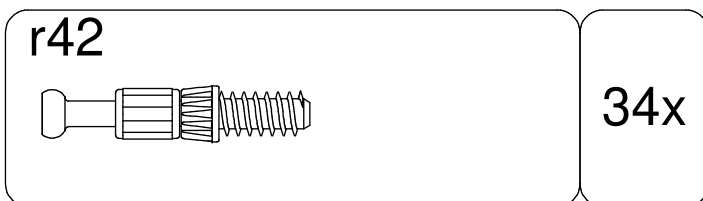
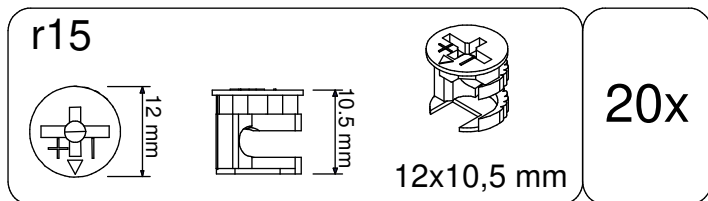
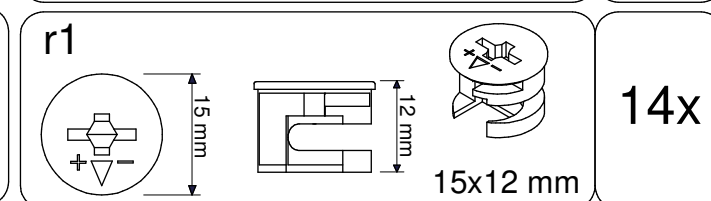
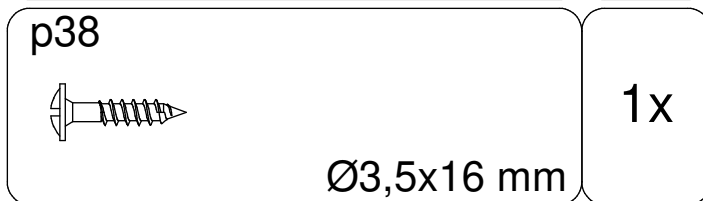
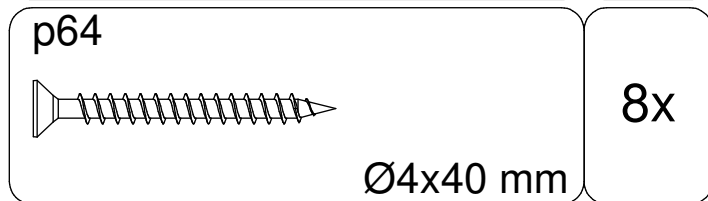
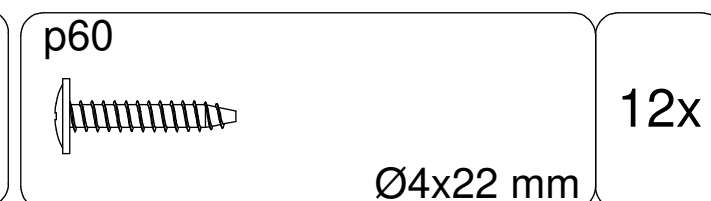
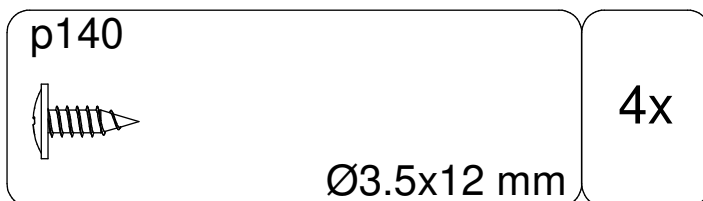
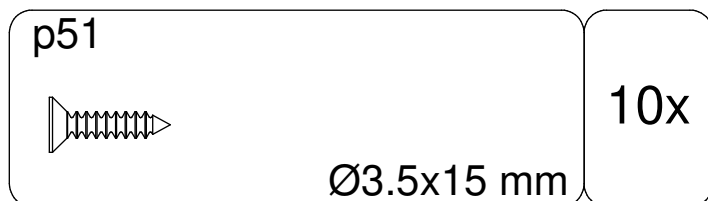
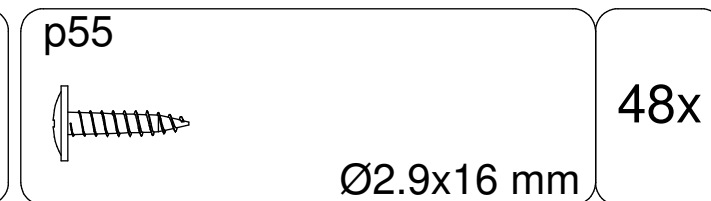
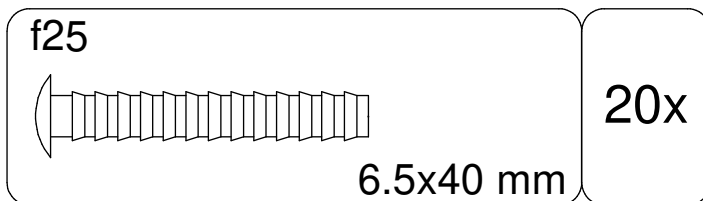
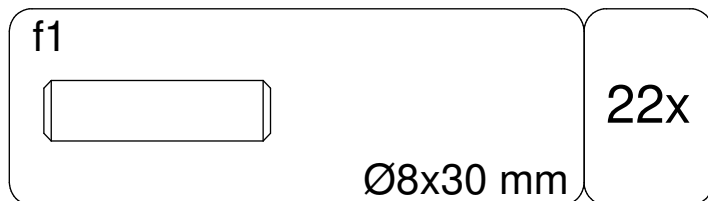
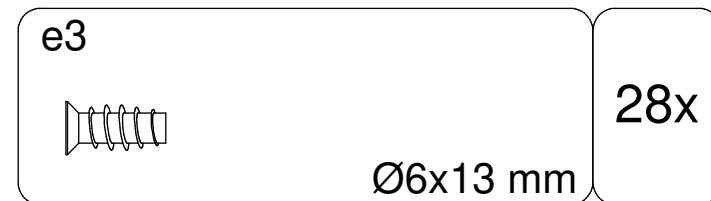
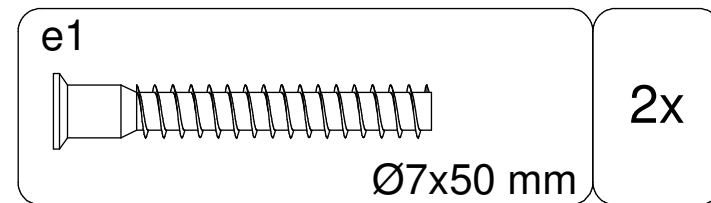
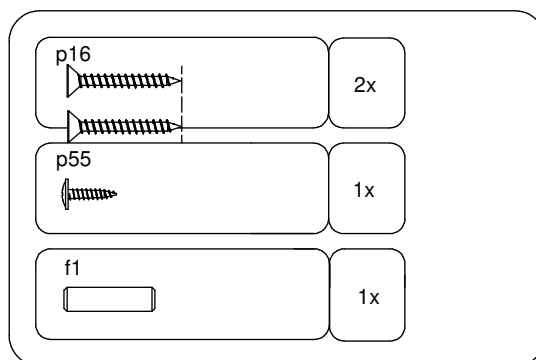
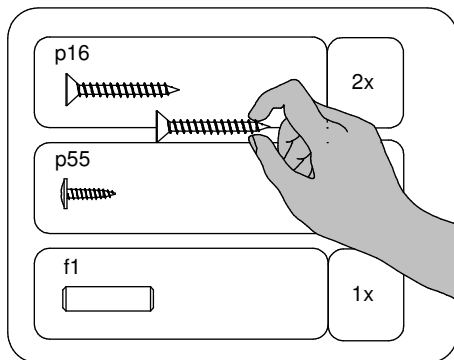


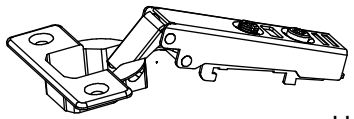
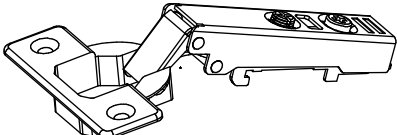
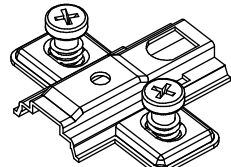
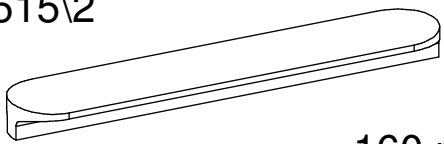
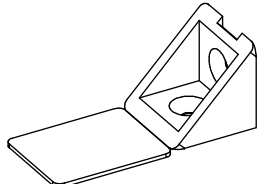
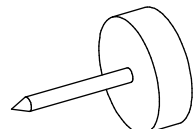
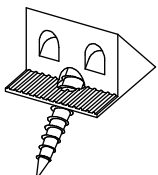
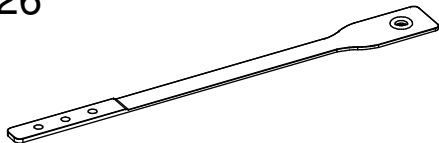
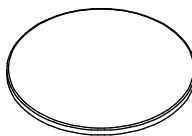
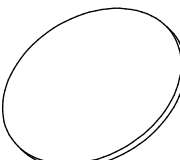
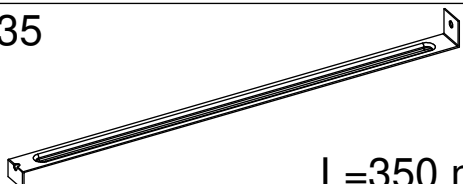
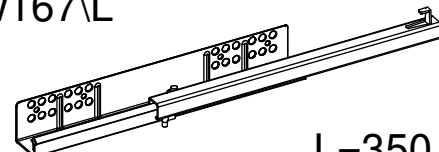
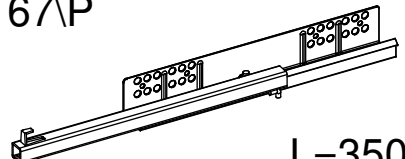
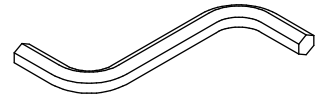
| B1 | B2 | C1 | C2 | C3 | C4 | D |
|-----------|------|------|-----|-----|----|-----|
| L153-0001 | -2 | 911 | 199 | 15 | 3 | 2/2 |
| L153-0002 | -2 | 911 | 199 | 15 | 1 | 2/2 |
| L153-0003 | -2 | 530 | 199 | 15 | 1 | 2/2 |
| L153-0004 | -2 | 530 | 401 | 15 | 1 | 2/2 |
| L153-1004 | -2 | 879 | 385 | 30 | 1 | 1/2 |
| L153-1005 | -2 | 879 | 385 | 30 | 1 | 1/2 |
| L153-1006 | -2 | 804 | 364 | 15 | 1 | 1/2 |
| L153-2001 | -4 | 1506 | 410 | 16 | 1 | 2/2 |
| L153-3007 | -2 | 1408 | 364 | 15 | 1 | 2/2 |
| L153-3008 | -2 | 506 | 364 | 15 | 1 | 2/2 |
| L153-4005 | -2 | 1408 | 60 | 15 | 1 | 2/2 |
| L153-4006 | -4 | 1408 | 60 | 16 | 1 | 2/2 |
| L153-5001 | -4 | 879 | 120 | 16 | 2 | 2/2 |
| L153-9001 | -2 | 477 | 357 | 2,5 | 1 | 1/2 |
| L153-9002 | -2 | 858 | 357 | 2,5 | 4 | 1/2 |
| L153-9303 | -2 | 1419 | 821 | 2,5 | 1 | 2/2 |
| ZQ6-5088 | A.29 | 466 | 127 | 15 | 1 | 1/2 |
| ZQ6-5089 | A.29 | 847 | 127 | 15 | 4 | 1/2 |
| ZQ6-511 | -10 | 350 | 140 | 12 | 5 | 1/2 |
| ZQ6-512 | -10 | 350 | 140 | 12 | 5 | 1/2 |

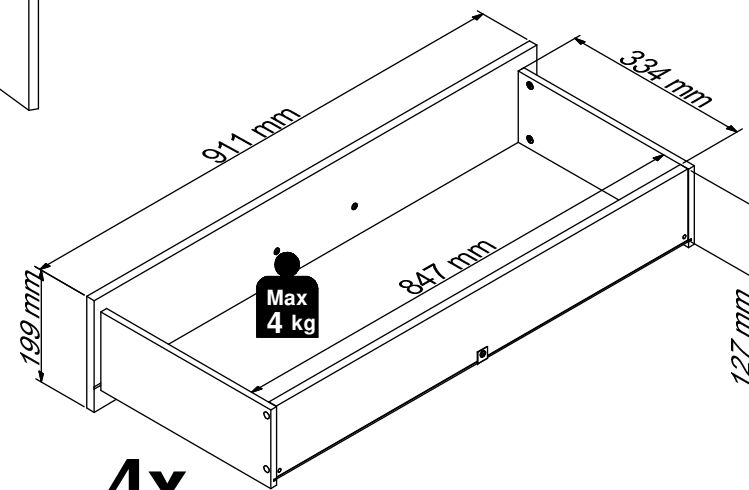
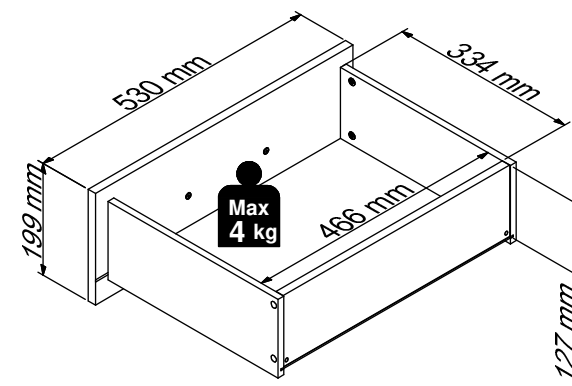
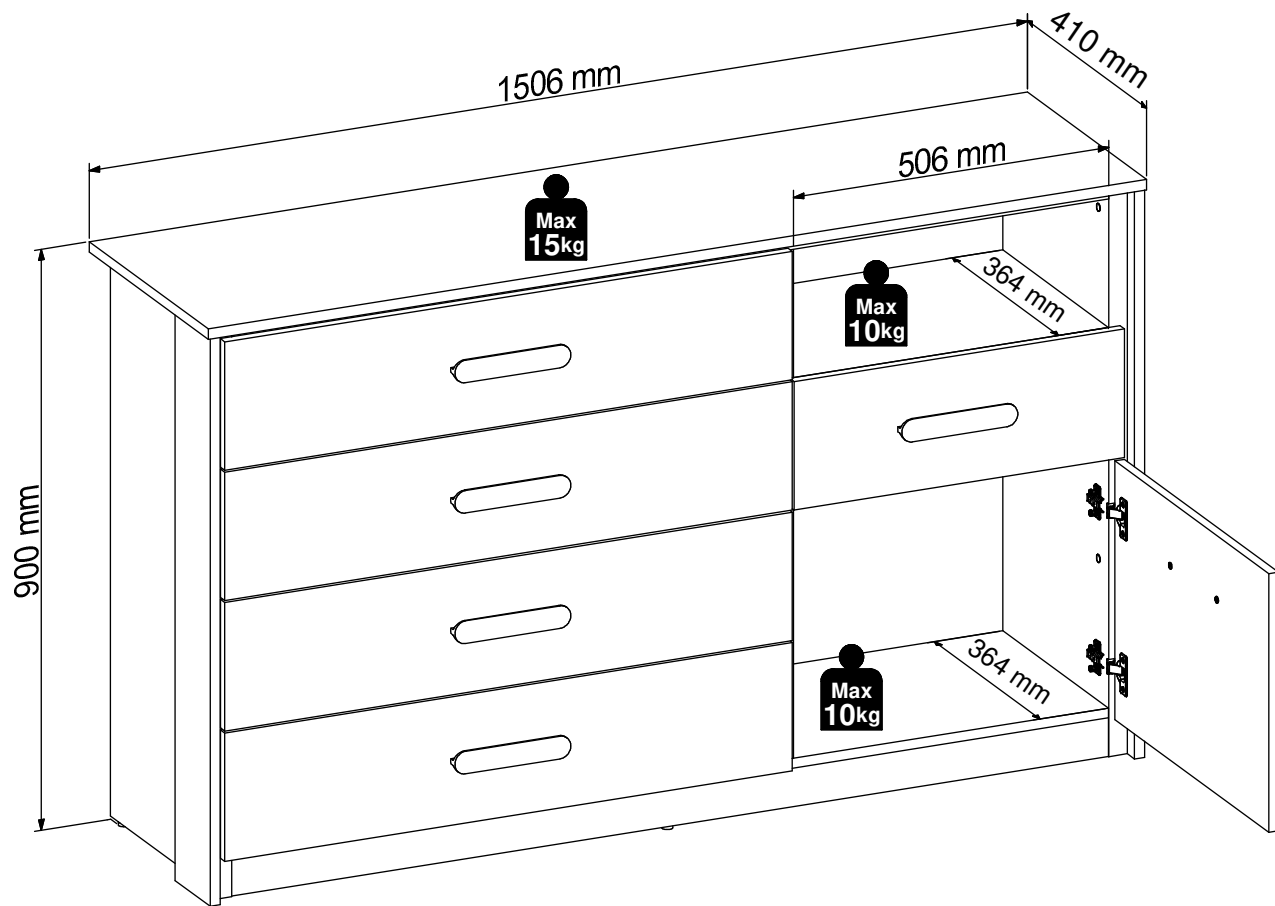


1:1

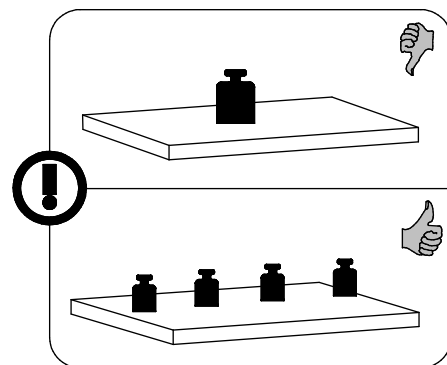


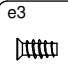


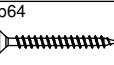
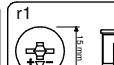
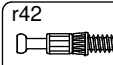

~~1:1~~

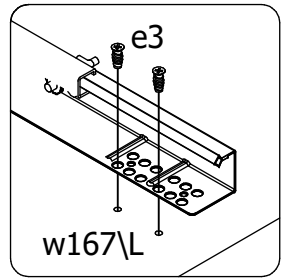
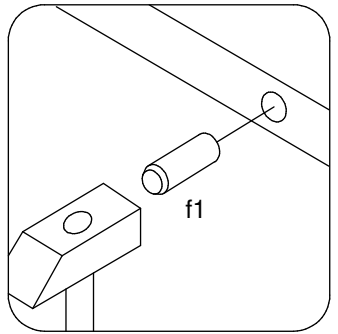
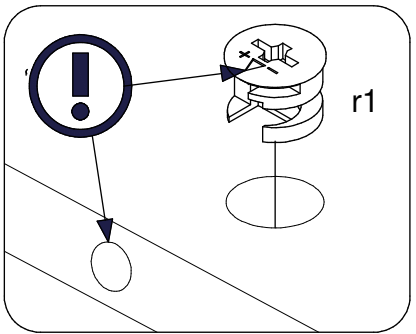
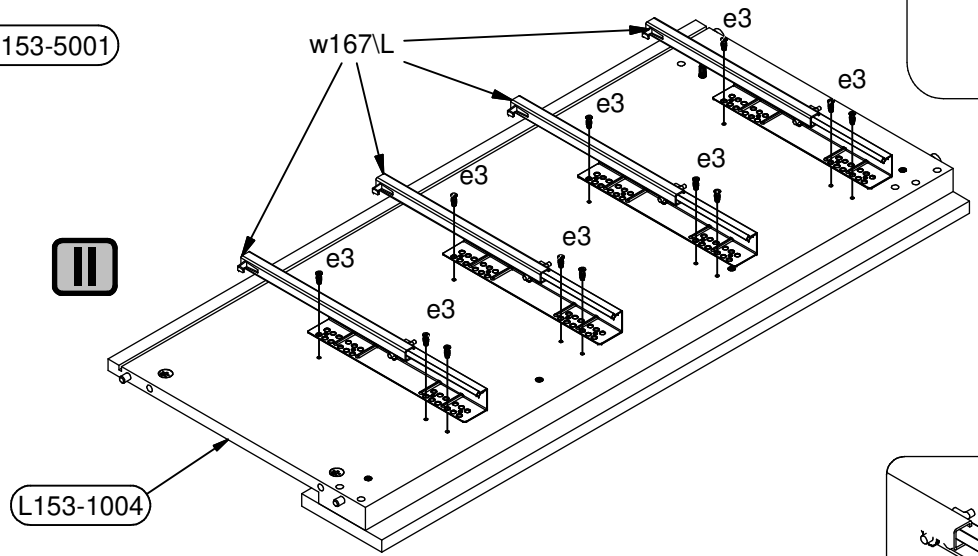
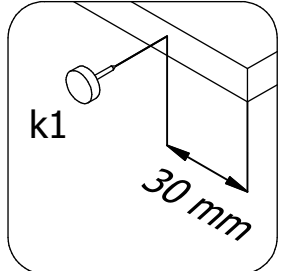
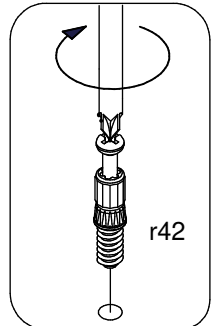
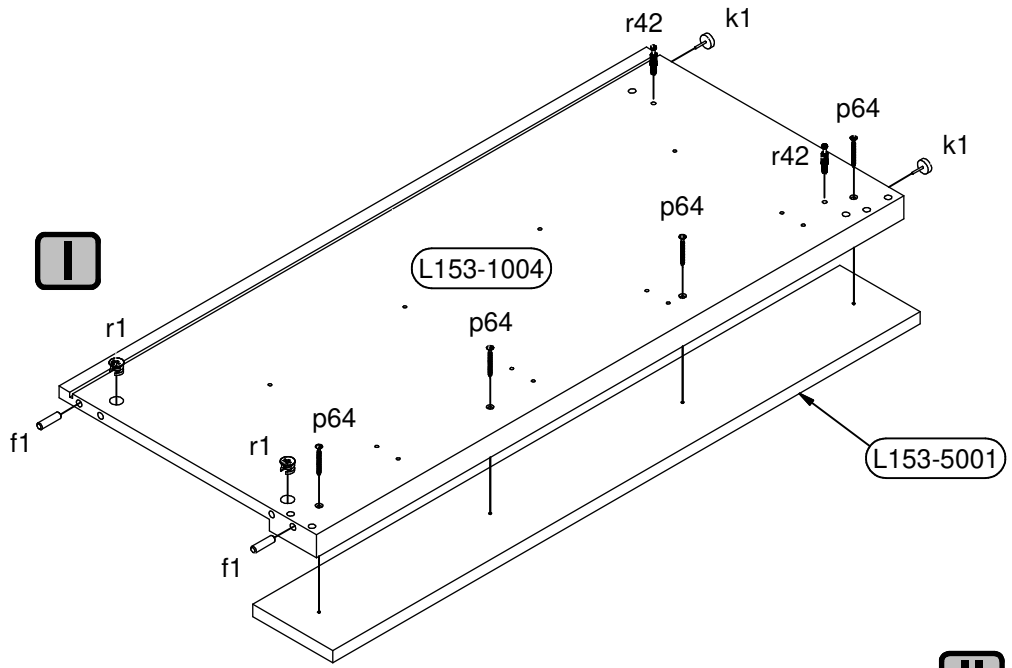
| | | | | | |
|---|-----------|--|-----------|--|-----------|
| <p>a204</p>  <p>HAMULEC</p> | <p>1x</p> | <p>a211</p>  | <p>1x</p> | <p>b92</p>  | <p>2x</p> |
| <p>c515\2</p>  <p>160 mm</p> | <p>6x</p> | <p>d36</p>  | <p>1x</p> | <p>k1</p>  | <p>5x</p> |
| <p>l2</p>  | <p>7x</p> | <p>n26</p>  | <p>1x</p> | <p>s59</p>  <p>14 mm</p> | <p>2x</p> |
| <p>s68</p>  <p>Ø20mm</p> | <p>2x</p> | <p>t35</p>  <p>L=350 mm</p> | <p>4x</p> | <p>w167\L</p>  <p>L=350 mm</p> | <p>5x</p> |
| <p>w167\P</p>  <p>L=350 mm</p> | <p>5x</p> | <p>z1</p>  <p>4 mm</p> | <p>1x</p> | | |



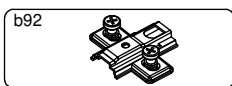
4x



- 1** e3  12x $\varnothing 6 \times 13$ mm
- f1  2x $\varnothing 8 \times 30$ mm
- k1  2x
- p64  4x $\varnothing 4 \times 40$ mm
- r1  2x 15x12 mm
- r42  2x
- w167/L  4x L=350 mm



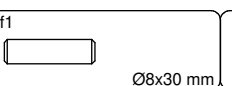
2



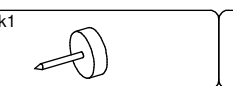
2x



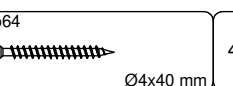
2x



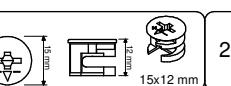
2x



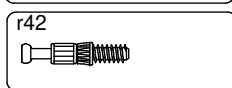
2x



4x



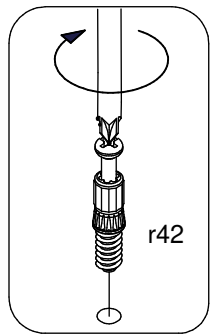
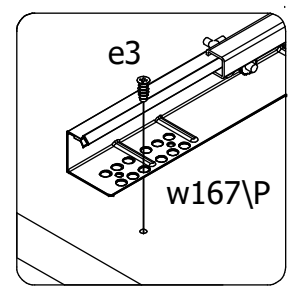
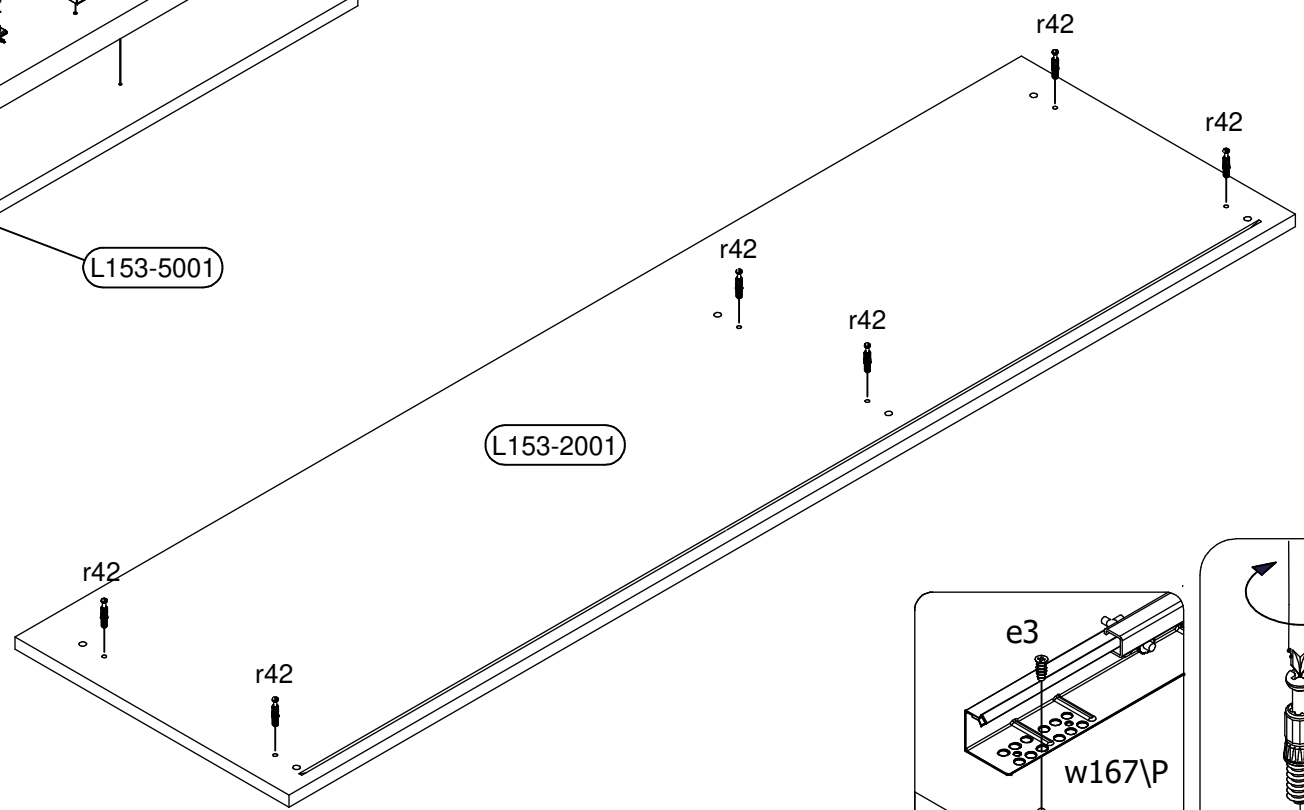
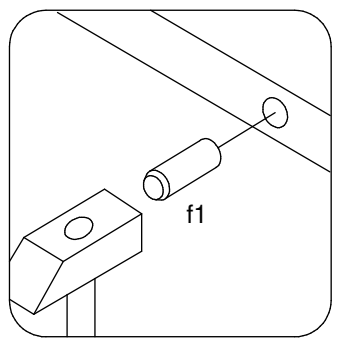
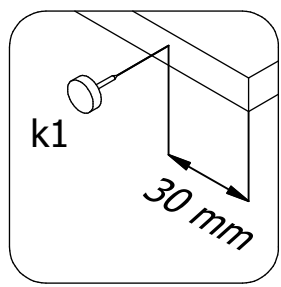
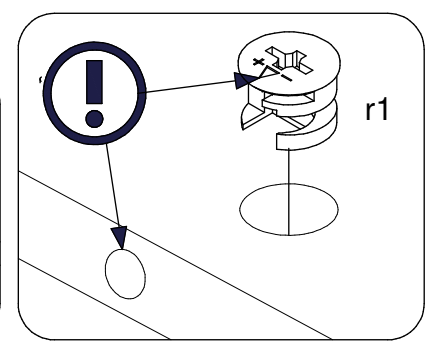
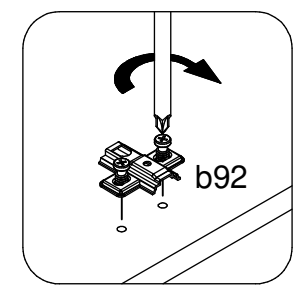
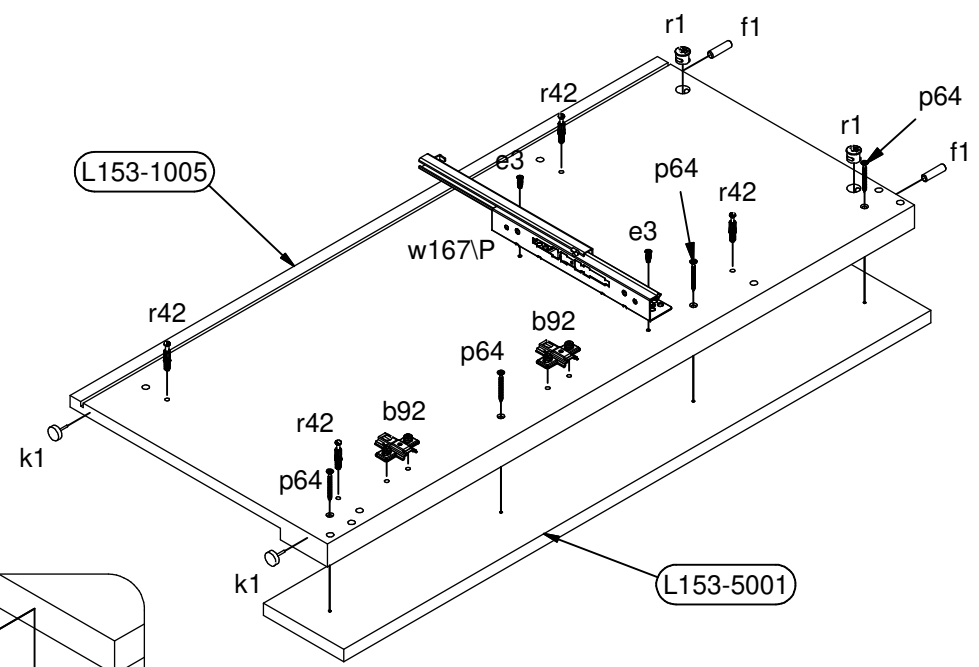
2x



10x



1x


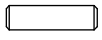
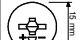
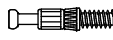




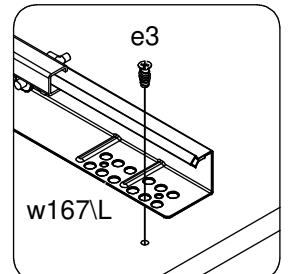
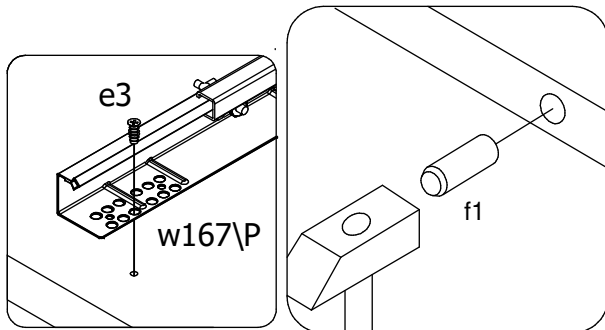
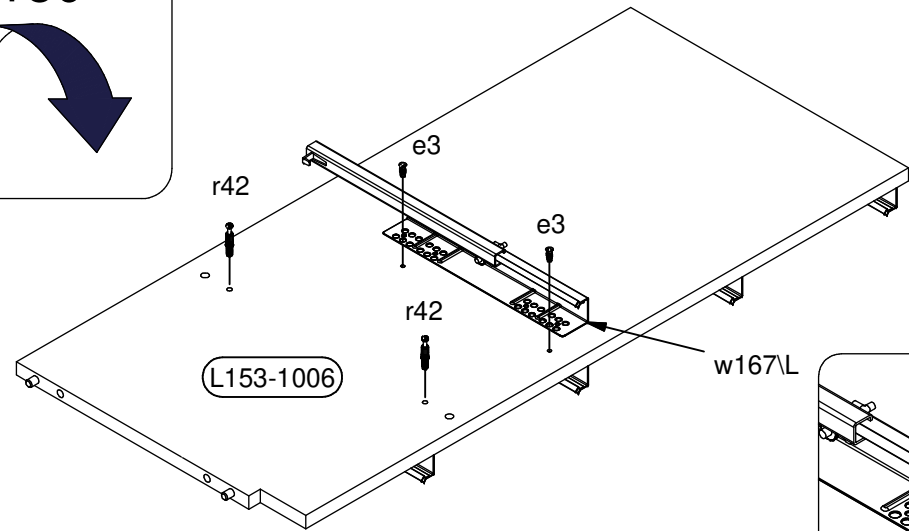
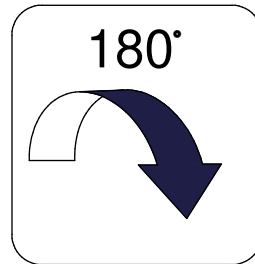
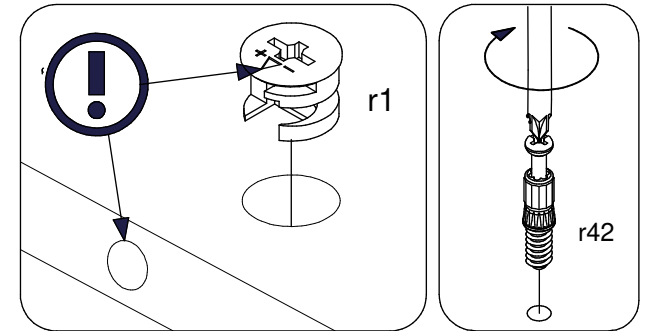
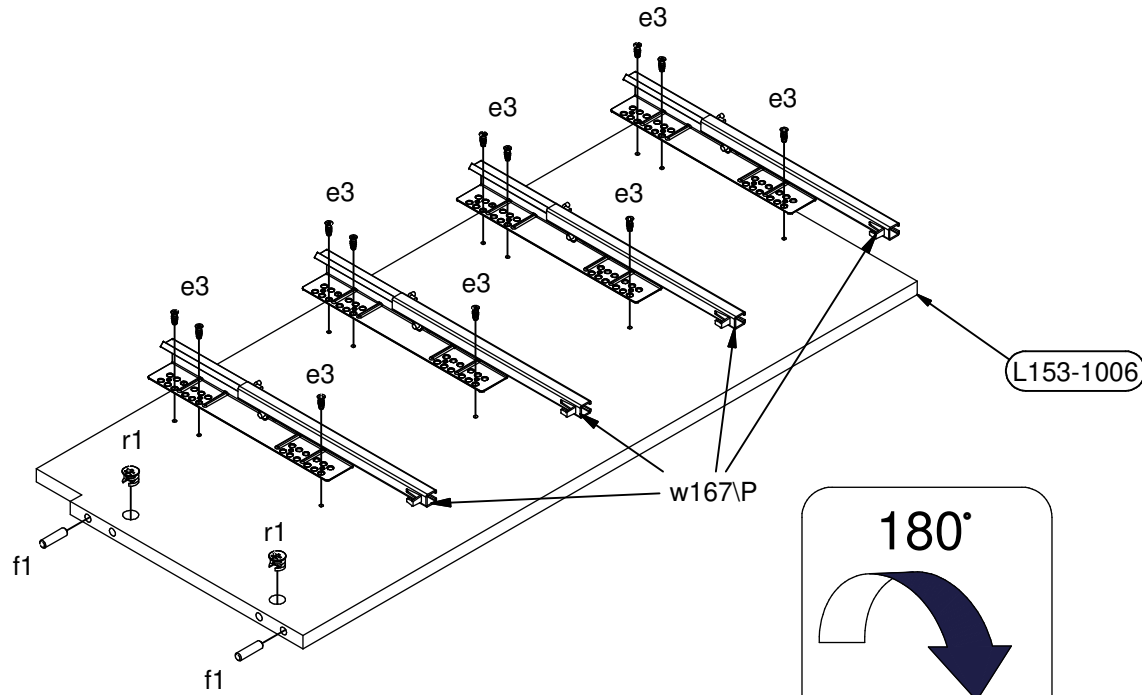
A

L153-KOM1D5S

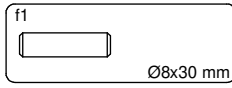
HENSON

9 /21

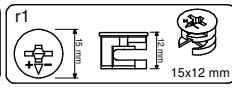
| | | | | | | | |
|----------|---|--|---|---|---|---|----|
| 3 | e3  Ø6x13 mm | 14x  Ø8x30 mm | 2x  15x12 mm | 2x  | 2x  L=350 mm | 1x  L=350 mm | 4x |
|----------|---|--|---|---|---|---|----|



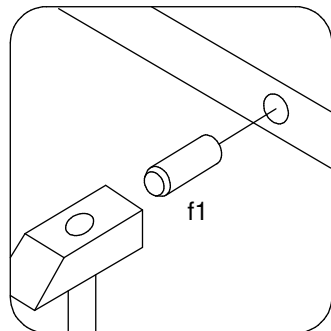
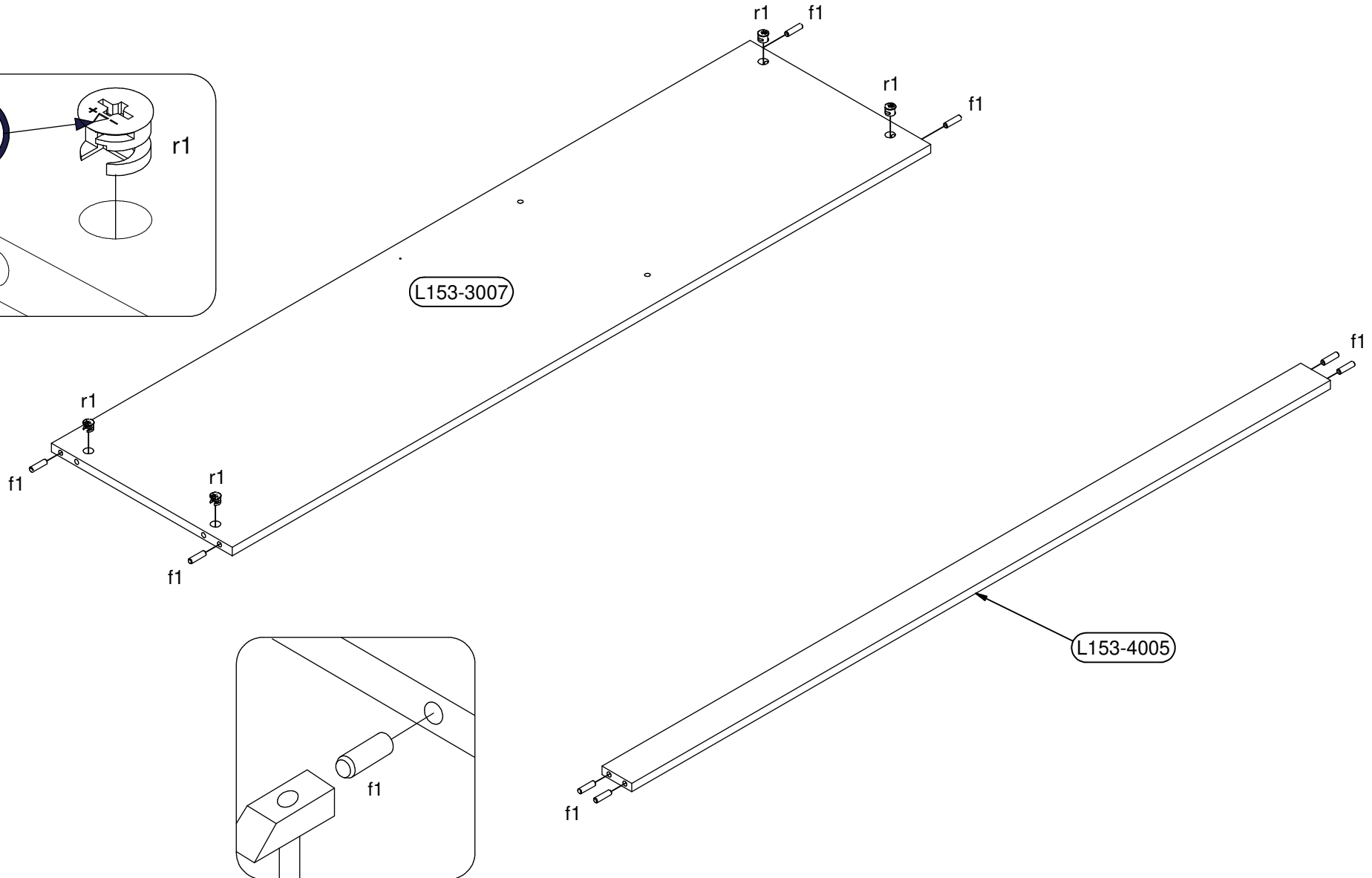
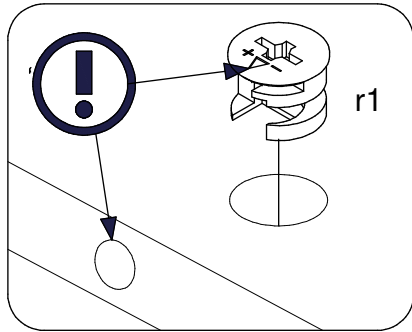
4



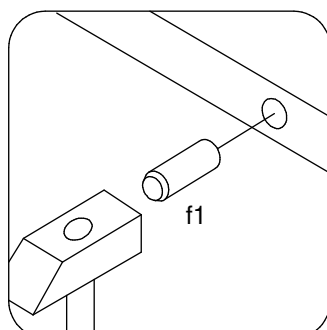
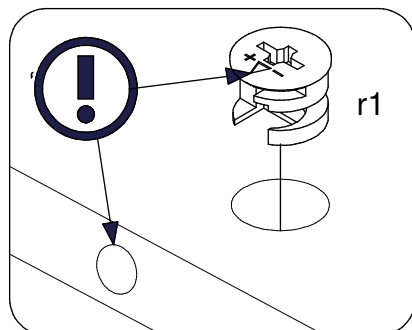
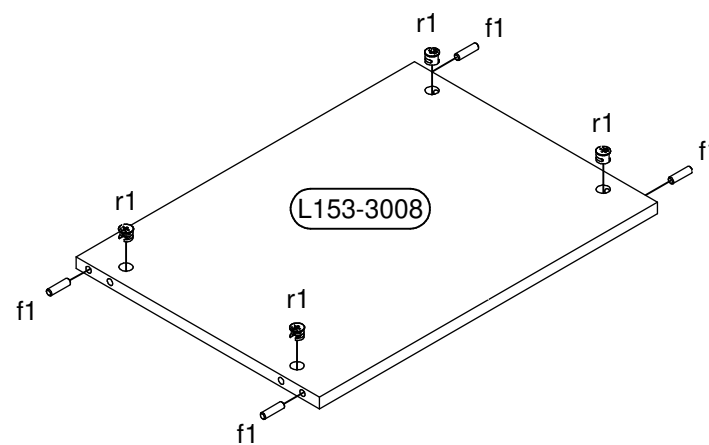
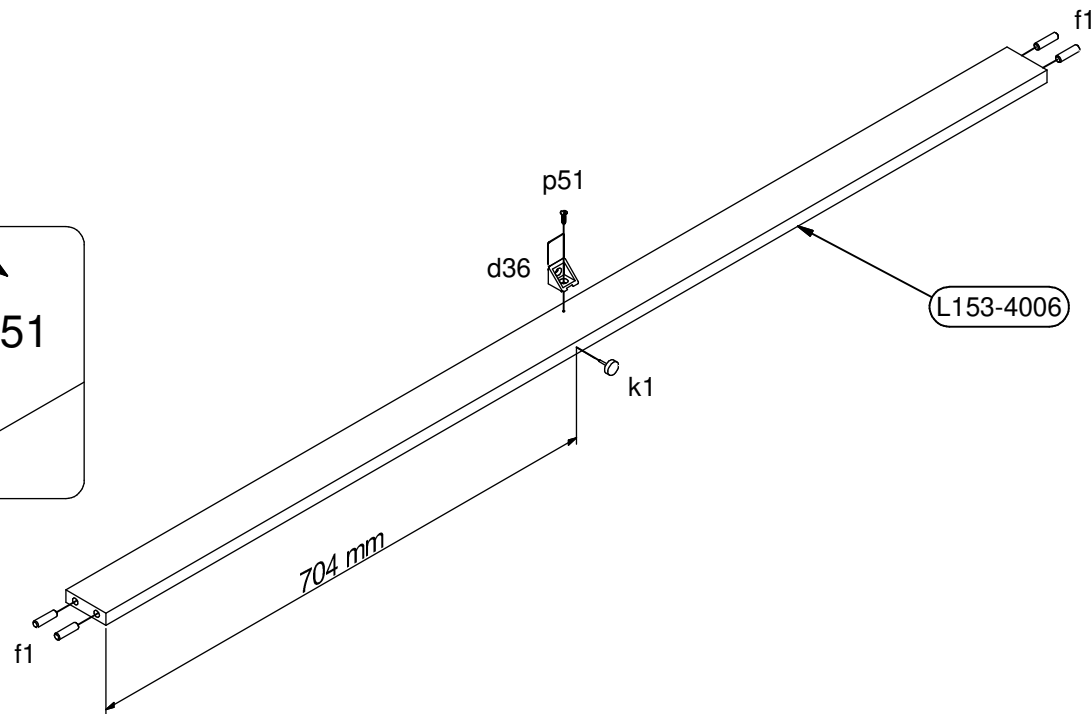
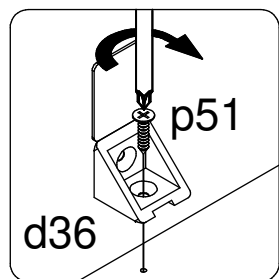
8x

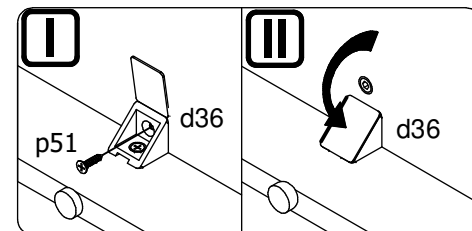
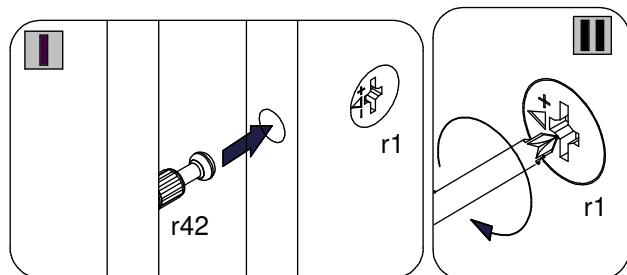
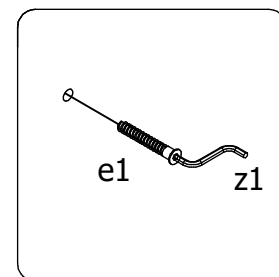
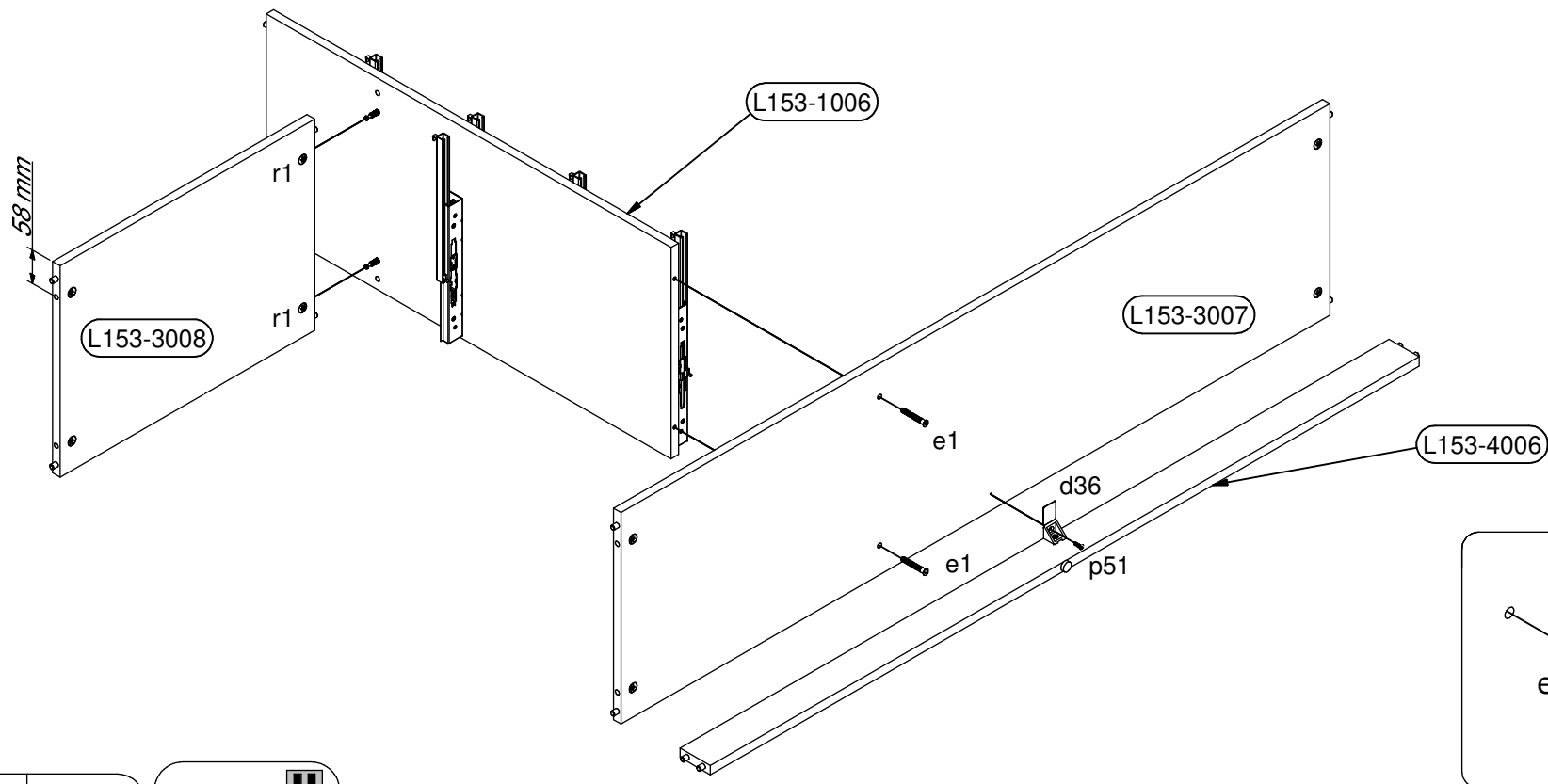
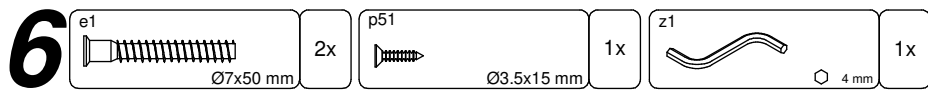


4x

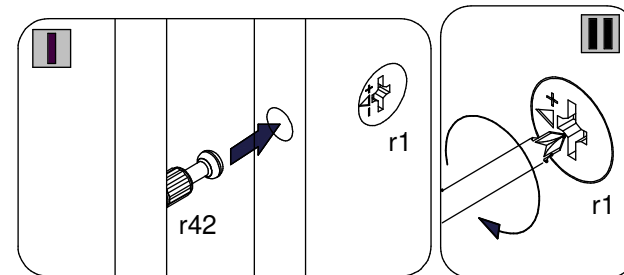
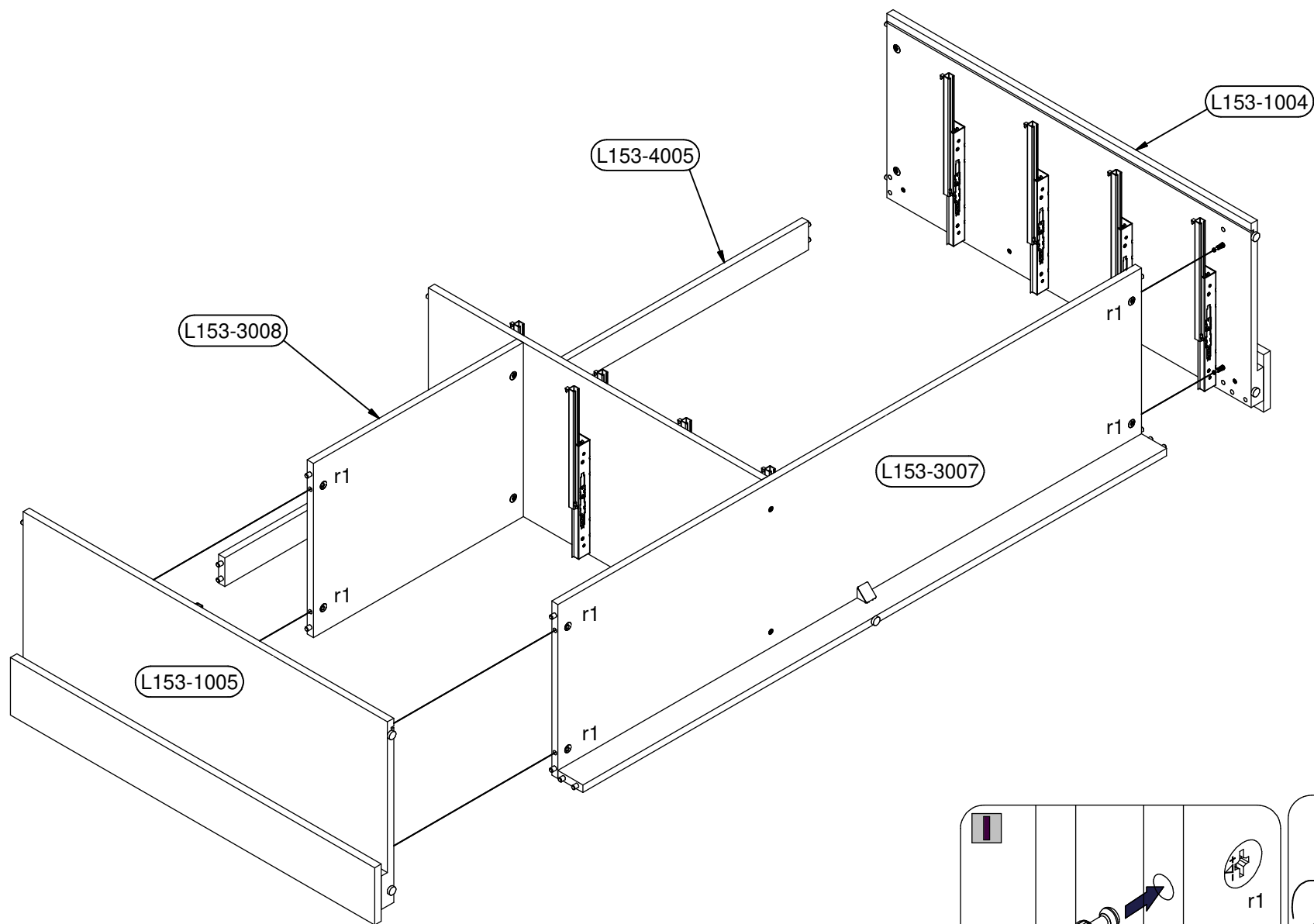


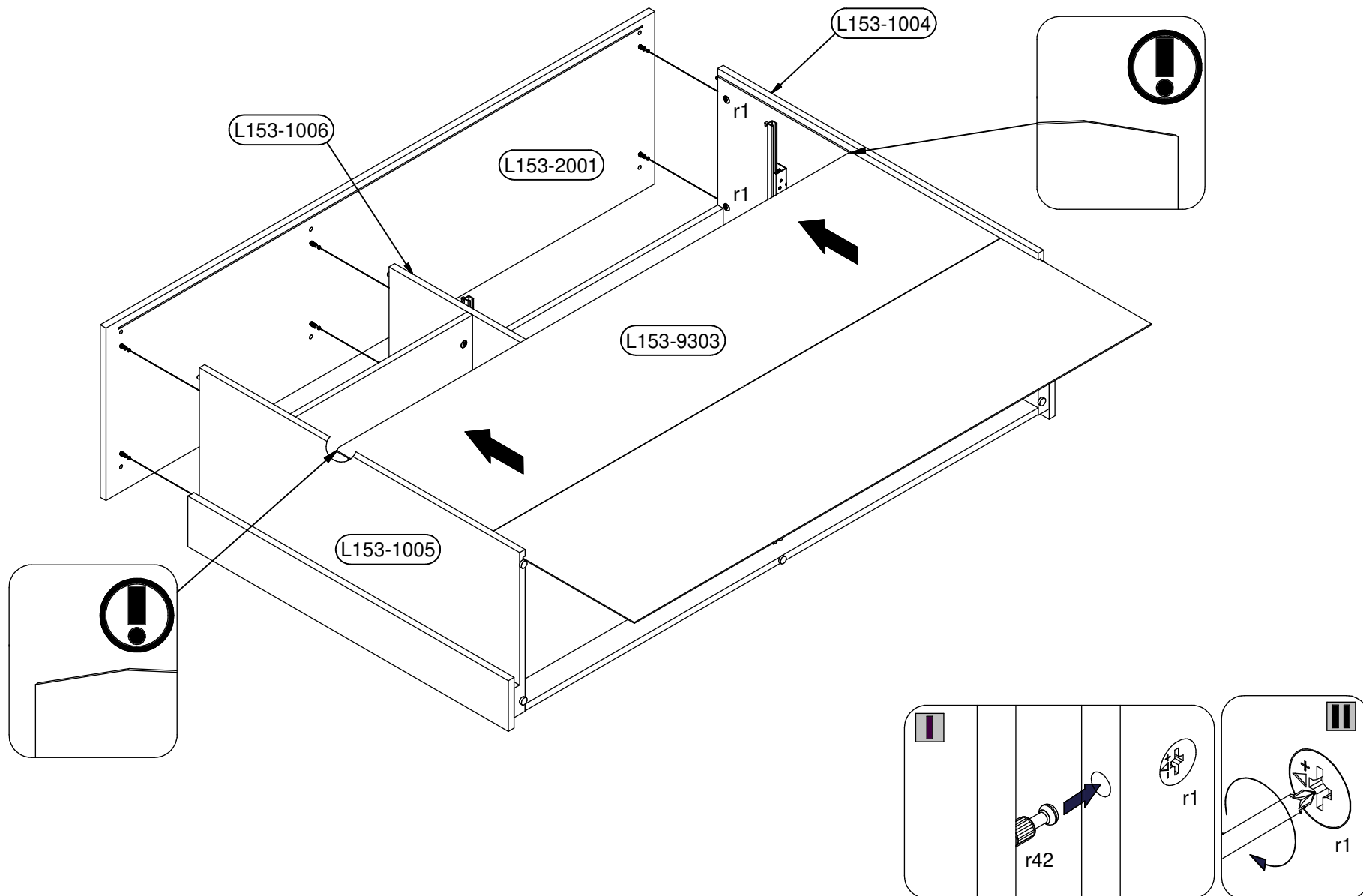
| | | | | | | | | | | | | | | | | | | |
|----------|-----|--|----|----|--|----------|----|-----|--|------------|----|----|--|----|----|--|----------|----|
| 5 | d36 | | 1x | f1 | | Ø8x30 mm | 8x | p51 | | Ø3.5x15 mm | 1x | k1 | | 1x | r1 | | 15x12 mm | 4x |
|----------|-----|--|----|----|--|----------|----|-----|--|------------|----|----|--|----|----|--|----------|----|





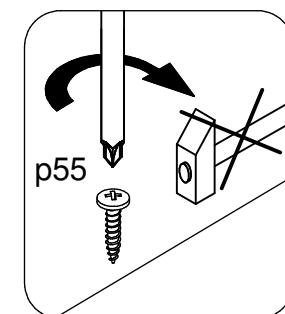
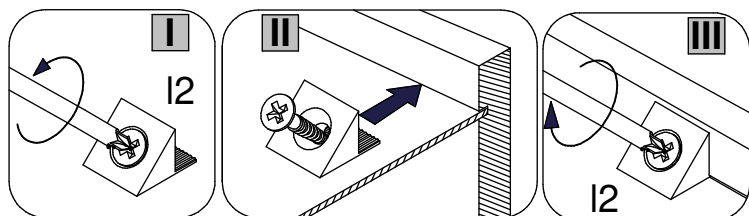
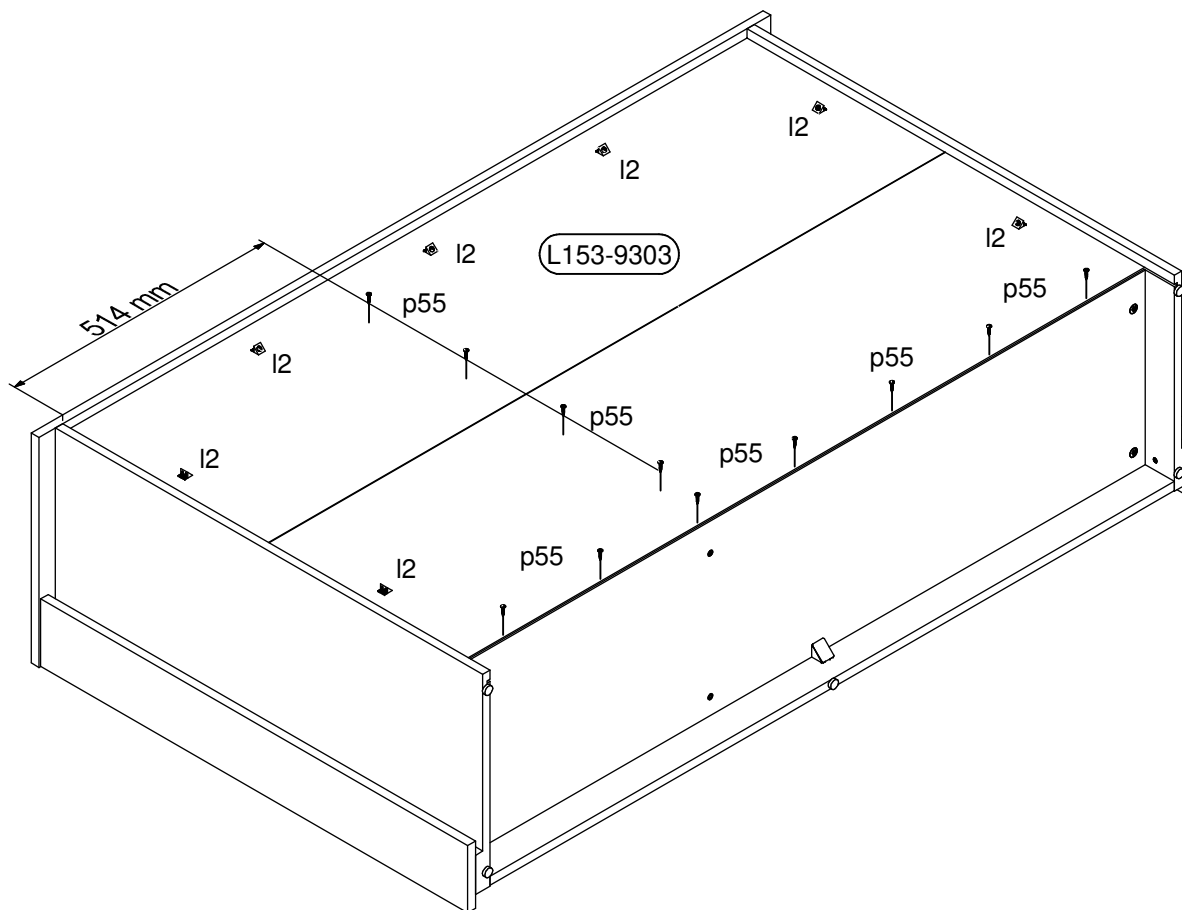
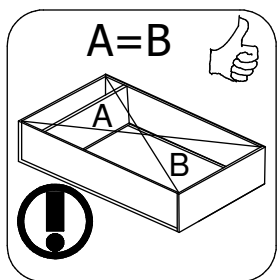


7

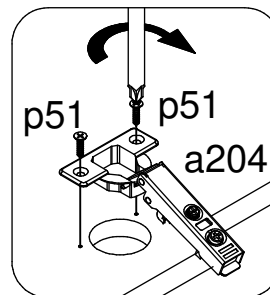
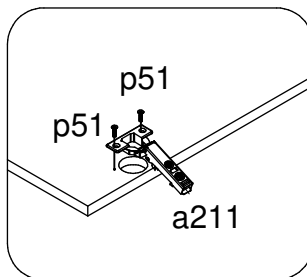
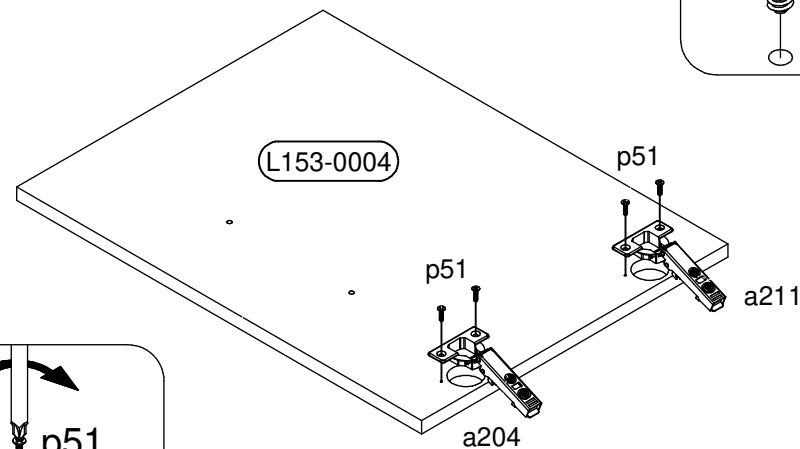
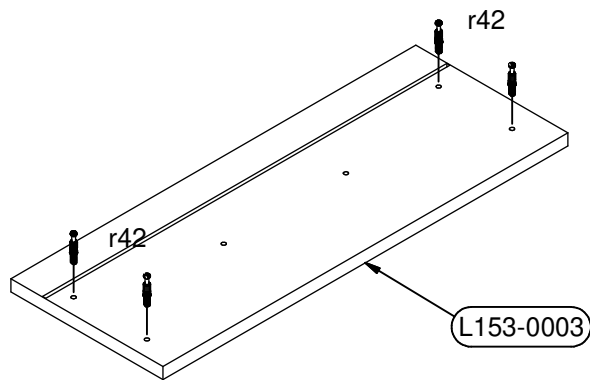
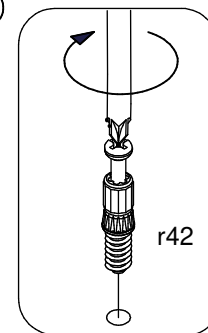
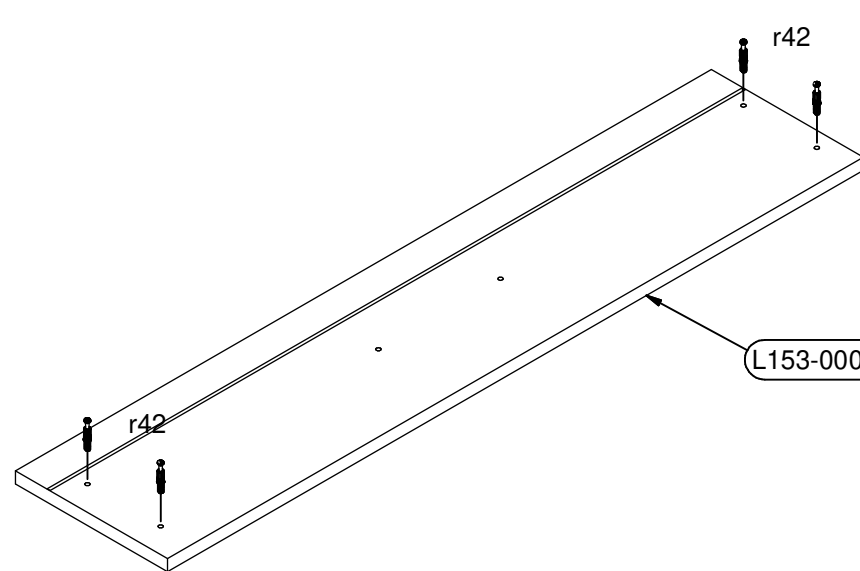
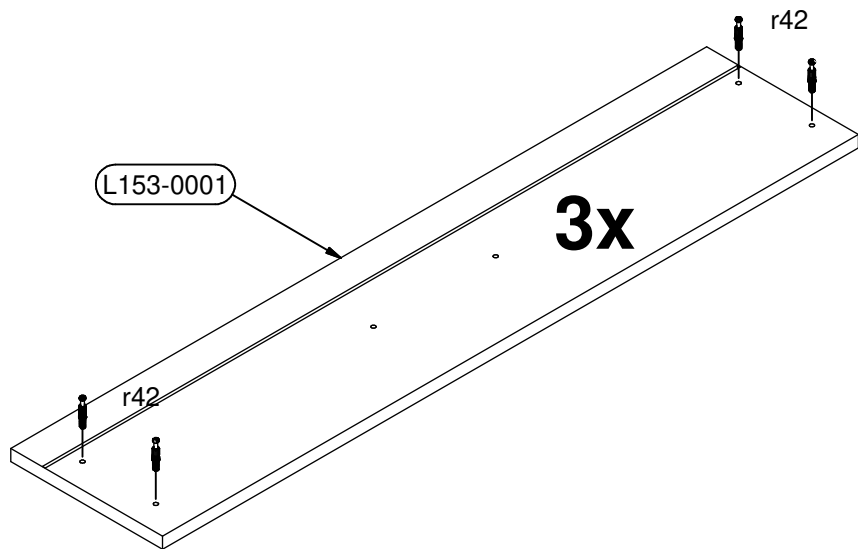
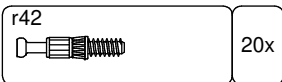
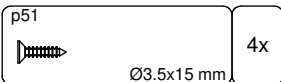
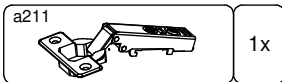




9 ^{l2}  7x ^{p55}  Ø2.9x16 mm 11x

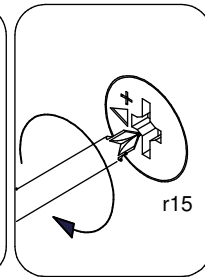
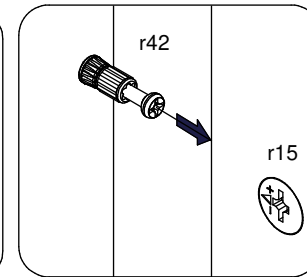
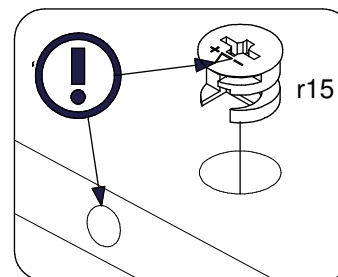
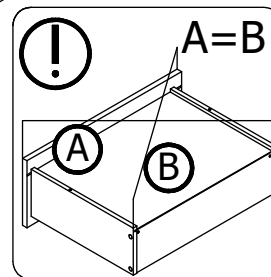
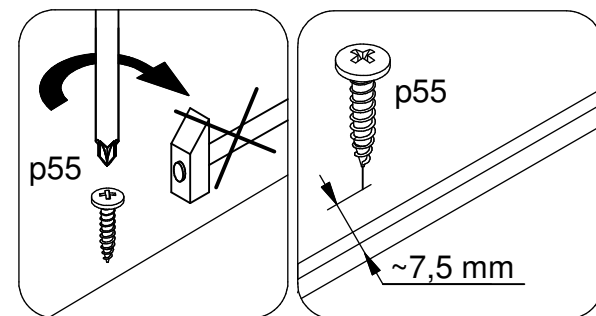
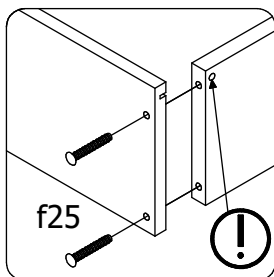
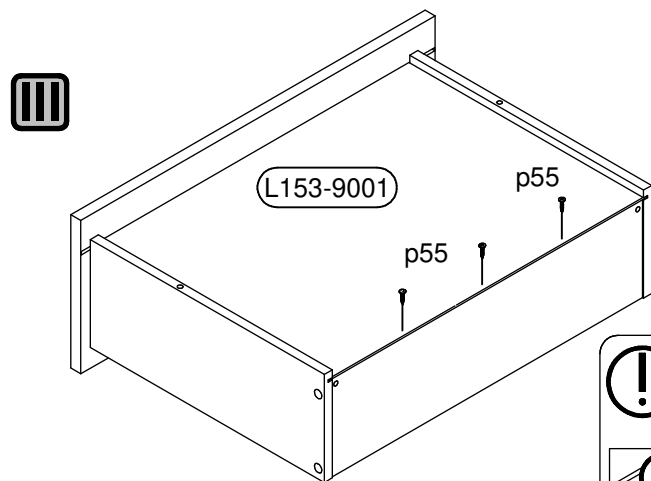
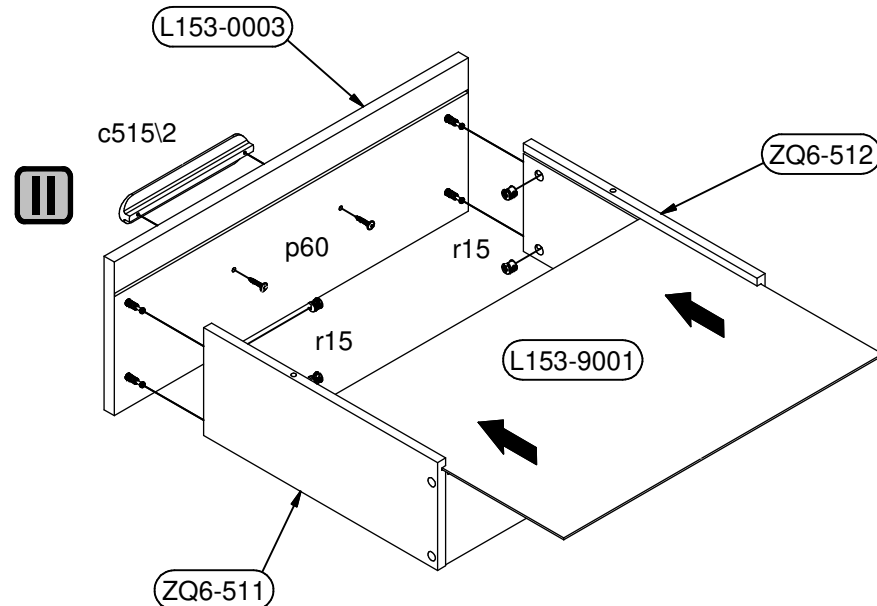
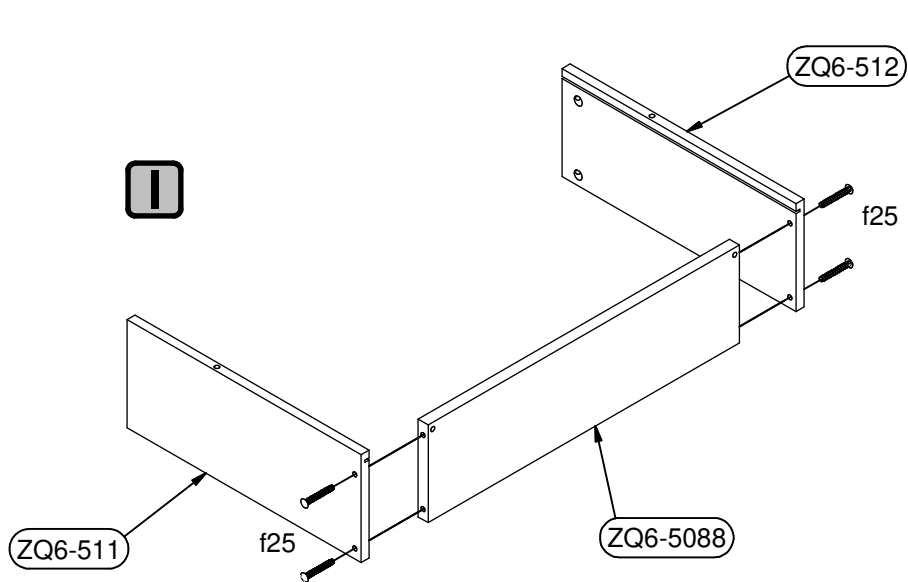


10

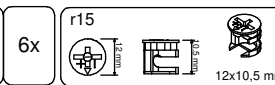
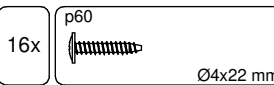


11

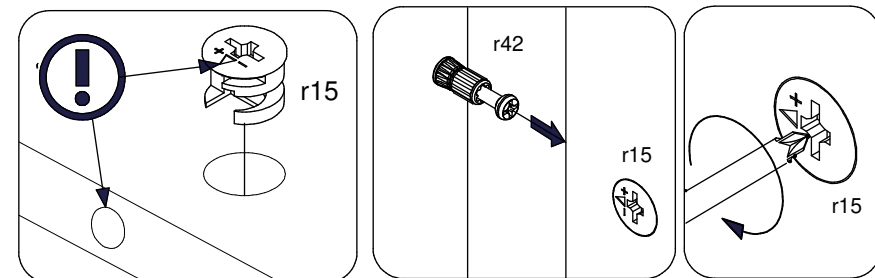
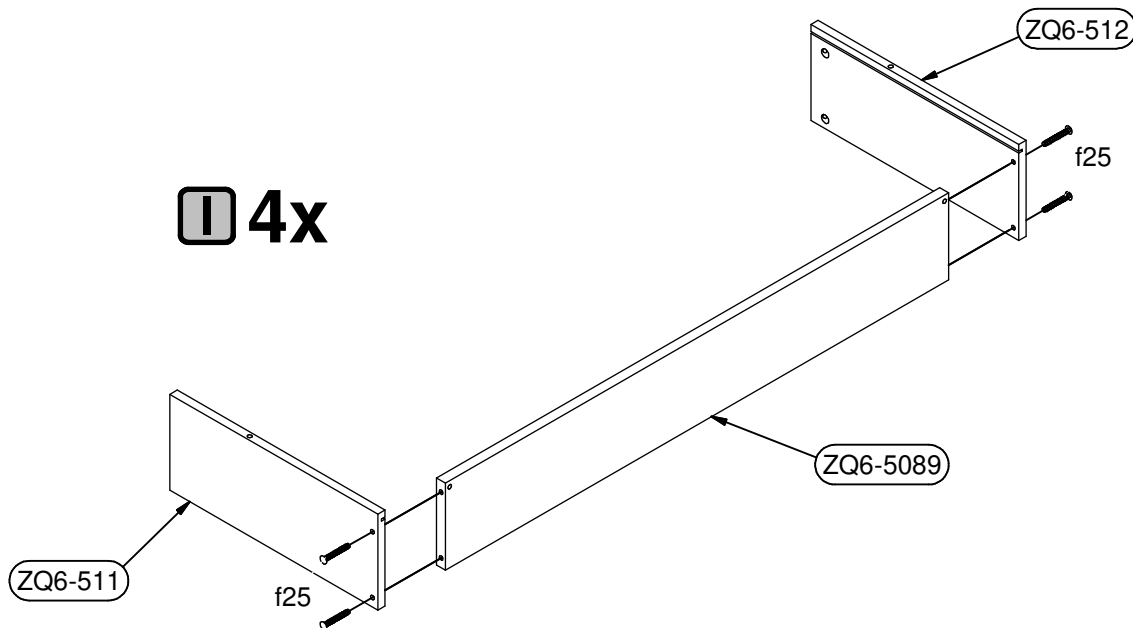
- c515/2 160 mm 1x
- f25 6.5x40 mm 4x
- p55 Ø2.9x16 mm 3x
- p60 Ø4x22 mm 3x
- r15 12x10,5 mm 2x



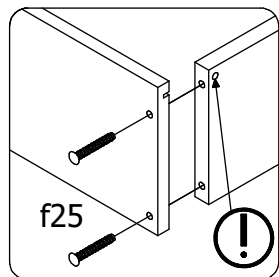
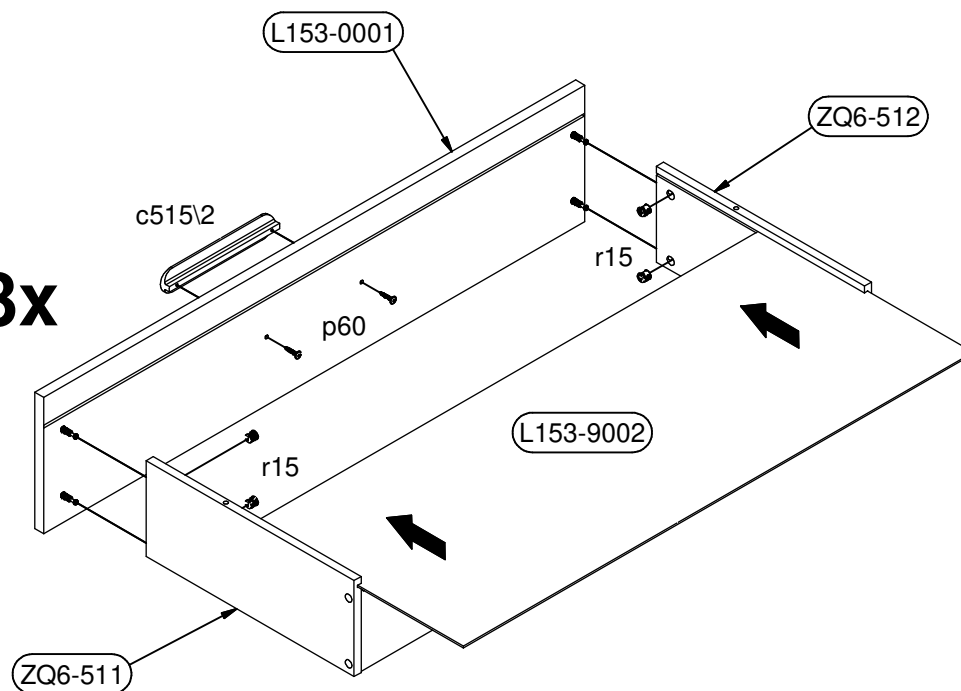
12



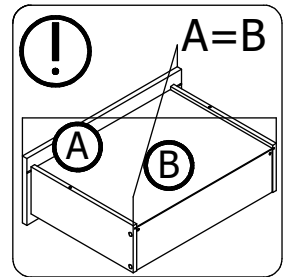
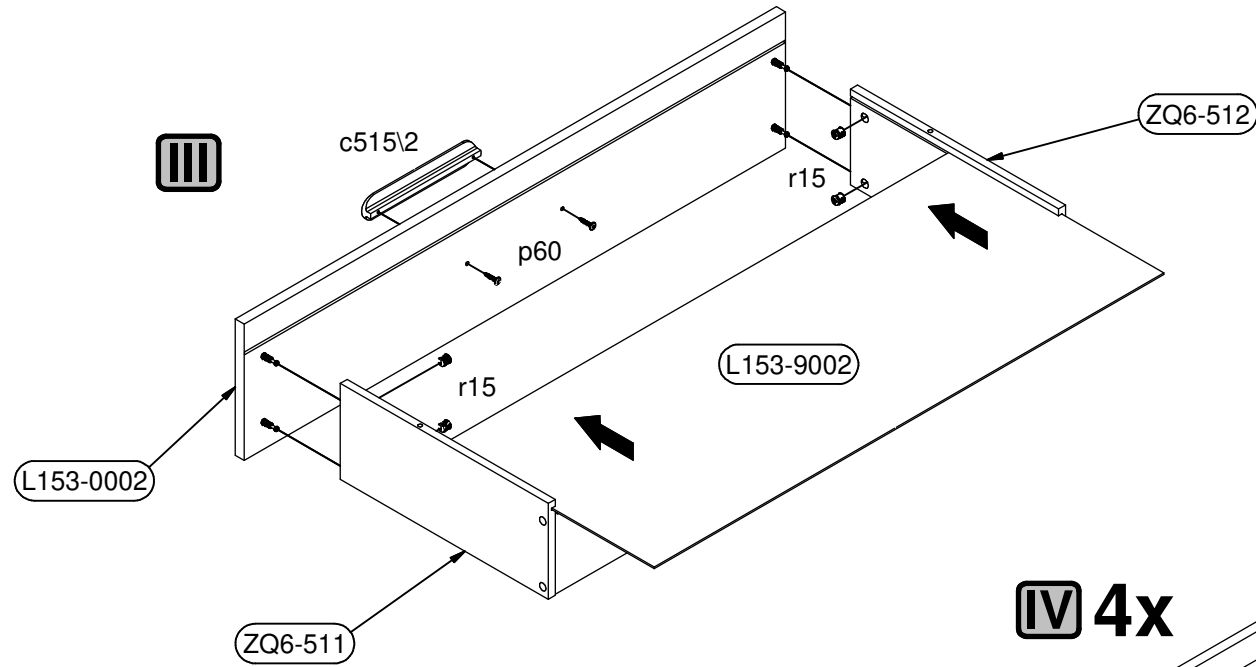
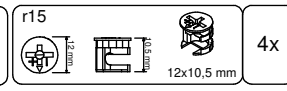
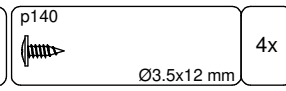
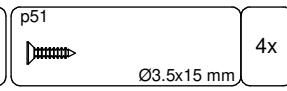
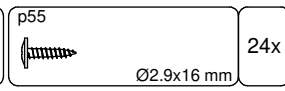
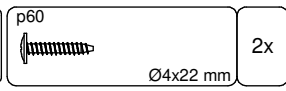
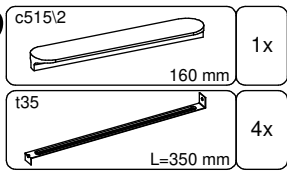
4x



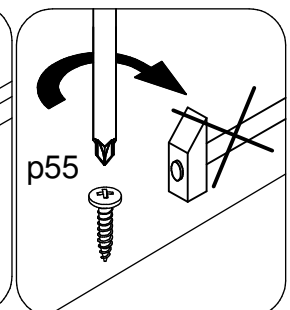
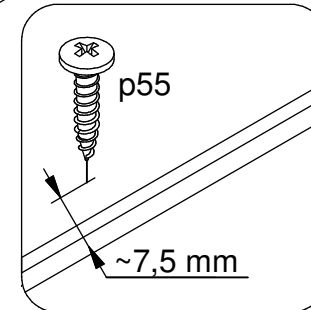
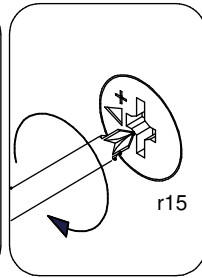
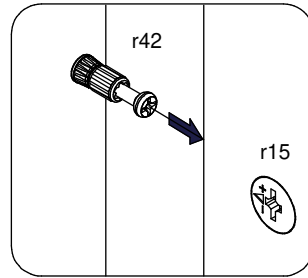
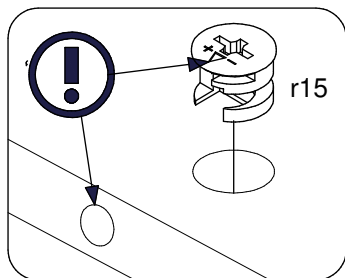
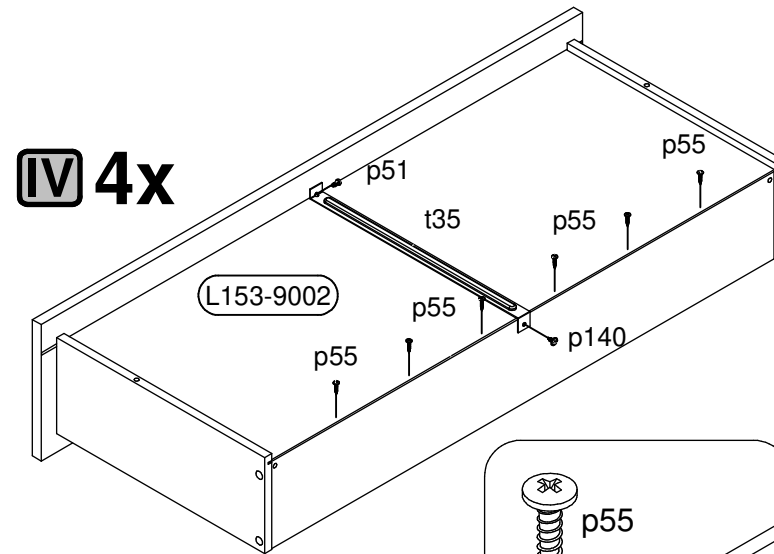
3x



13

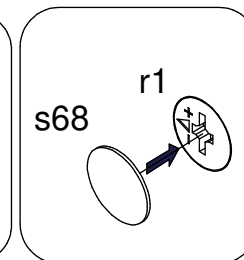
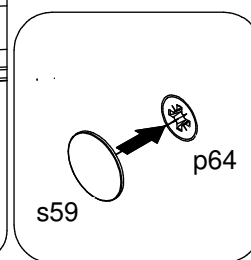
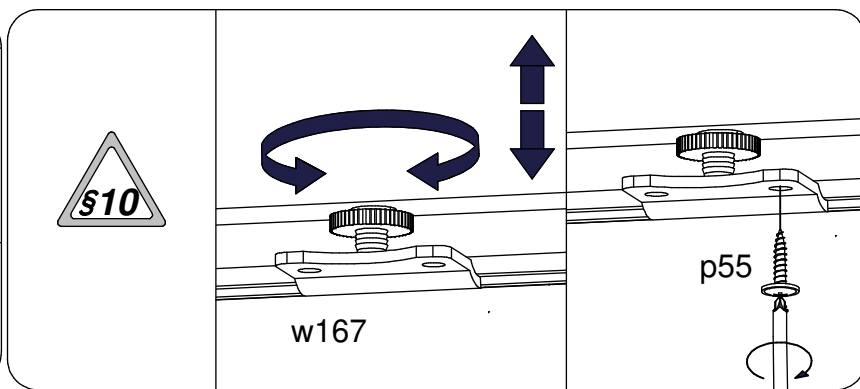
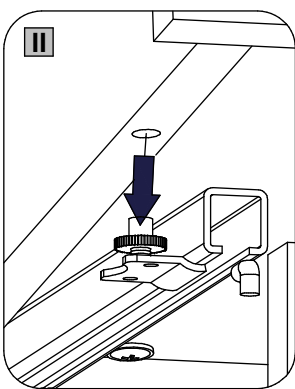
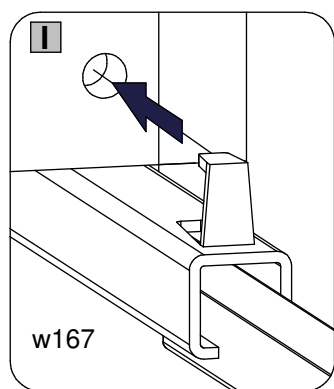
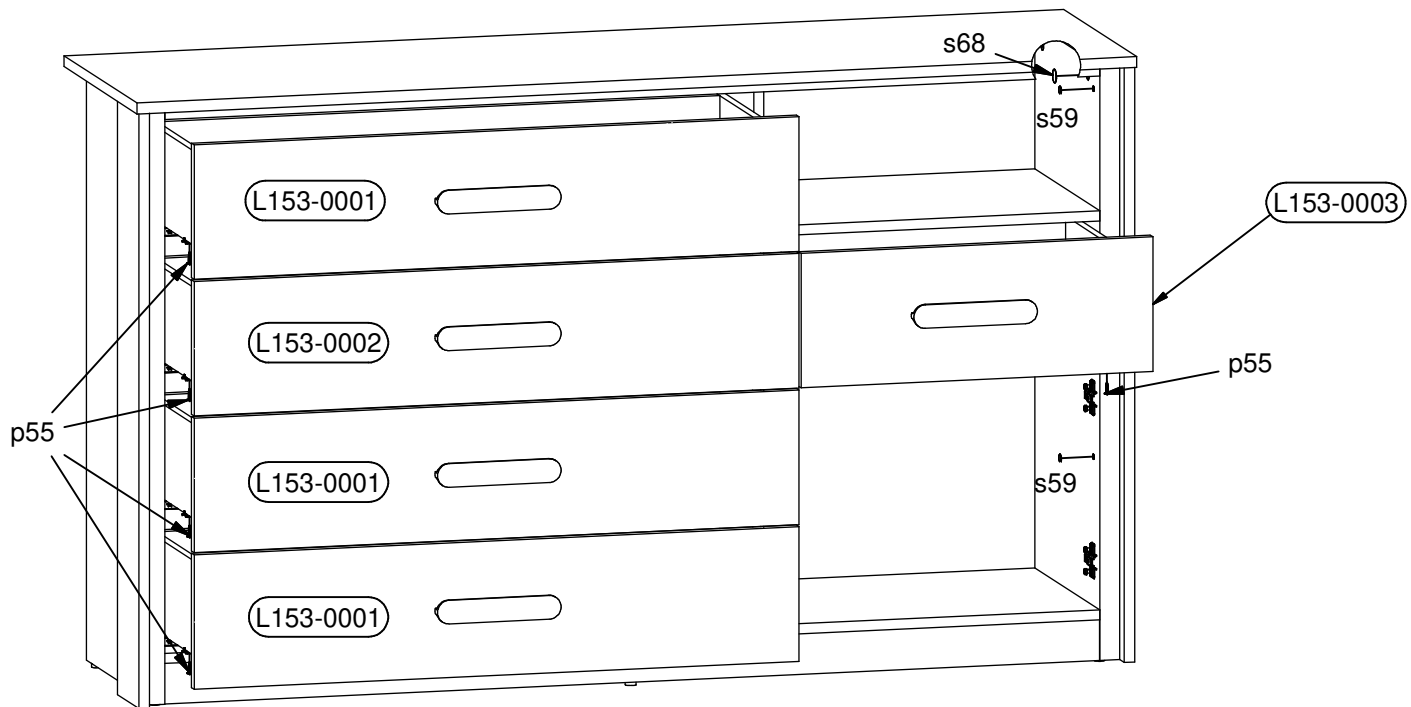


IV 4x



14

| | | |
|--------------------------|--------------------|--------------------|
| p55 Ø2.9x16 mm 10x | s59 14 mm 2x | s68 Ø20mm 2x |
|--------------------------|--------------------|--------------------|



15

