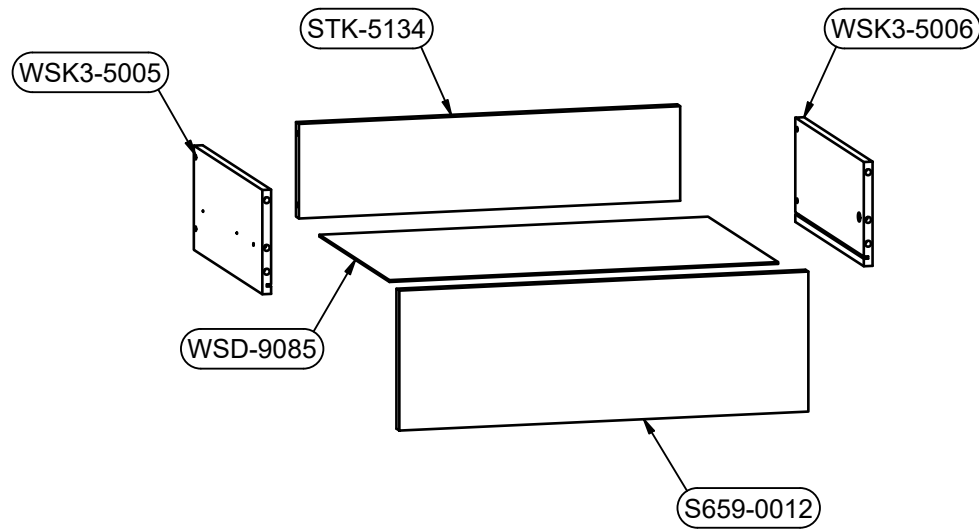
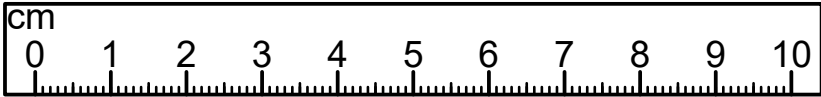
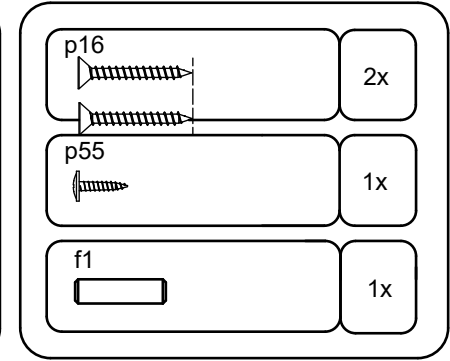
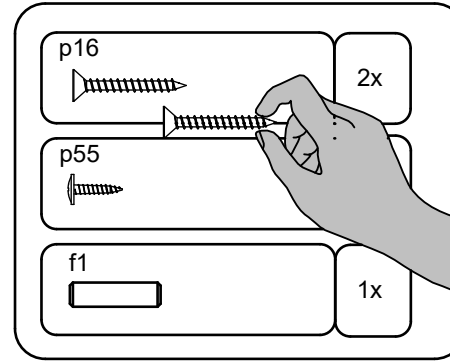


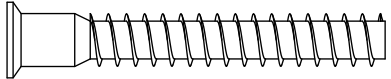
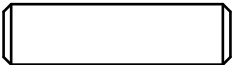
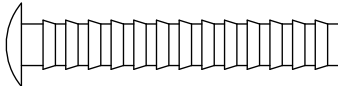
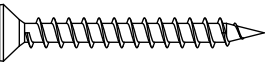

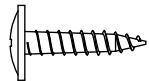

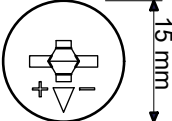
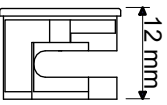
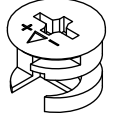
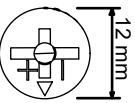
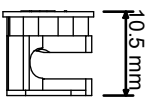

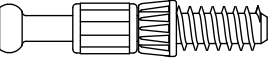
B1	B2	C1	C2	C3	C4	D
S659-0012	-	560	188	15	3	2/2
WSD-9085	-	532	358	2.5	3	2/2
STK-5134	-	522	127	15	3	2/2
WSK3-5005	-6	350	140	12	3	2/2
WSK3-5006	-6	350	140	12	3	2/2
S659-1018	-	963	396	15	1	1/2
S659-1019	-	963	396	15	1	1/2
S659-1020	-	368	374	15	1	1/2
S659-2009	-	600	400	22	1	1/2
S659-2010	-	600	400	15	1	1/2
S659-3012	-	568	375	15	1	2/2
S659-3013	-	362	370	15	1	1/2
S659-9302	-	973	577	2,5	1	1/2





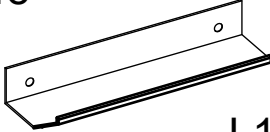
1:1



<p>e1</p>  <p>50mm</p>	<p>4x</p>	<p>f1</p>  <p>30mm</p>	<p>28x</p>	<p>f25</p>  <p>6.5x40 mm</p>	<p>12x</p>
<p>p6</p>  <p>Ø4x35 mm</p>	<p>8x</p>	<p>p1</p>  <p>Ø3.5x13 mm</p>	<p>36x</p>	<p>p55</p>  <p>2.8x16mm</p>	<p>16x</p>
<p>p51</p>  <p>3.5x15mm</p>	<p>14x</p>	<p>r1</p>  <p>15mm</p>  <p>12mm</p>  <p>15x12mm</p>	<p>10x</p>	<p>r15</p>  <p>12mm</p>  <p>10.5mm</p>  <p>12x10,5mm</p>	<p>6x</p>
<p>r42</p> 	<p>16x</p>				

~~1:1~~

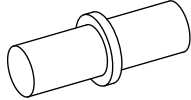
c648



L149/128mm

3x

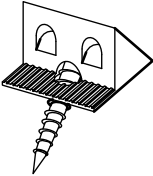
d1



fi5mm

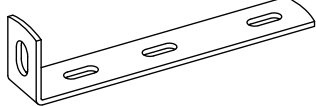
4x

l2



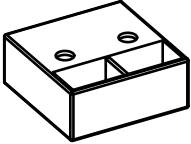
8x

n14\2



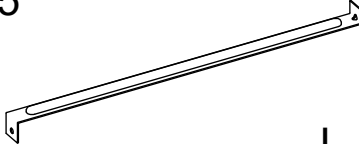
1x

k55



4x

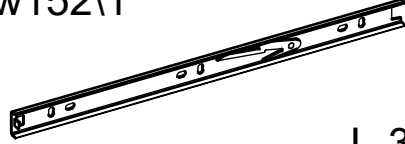
t35



L-350mm

3x

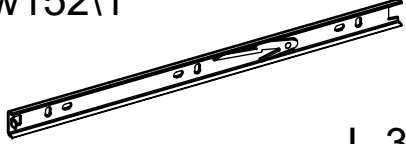
w152\1



L-350mm

6x

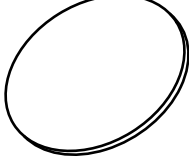
w152\1



L-350mm

6x

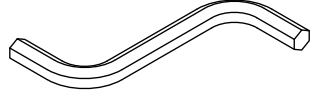
s68



Ø20mm

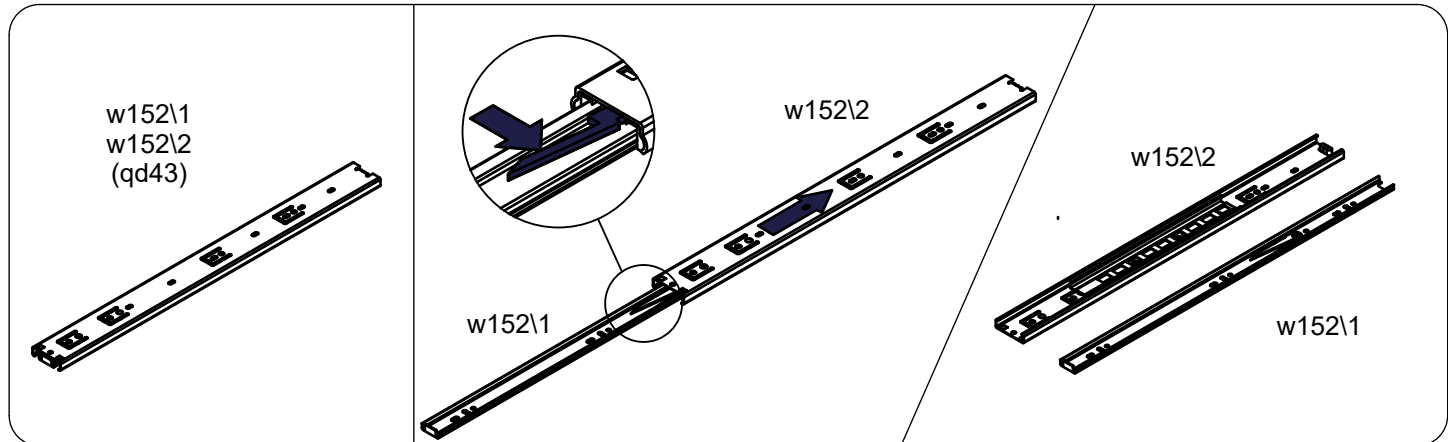
6x

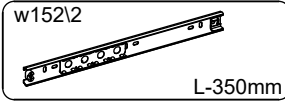
z1



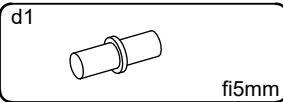
4mm

1x

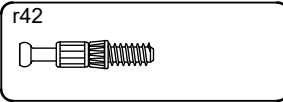




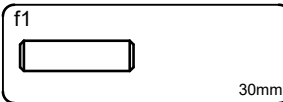
6x



4x



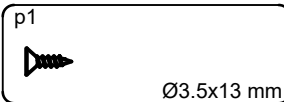
4x



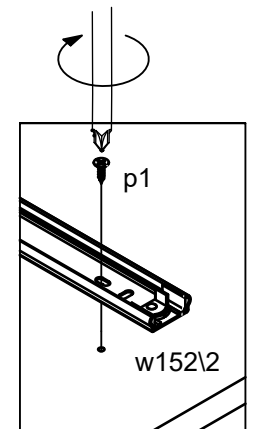
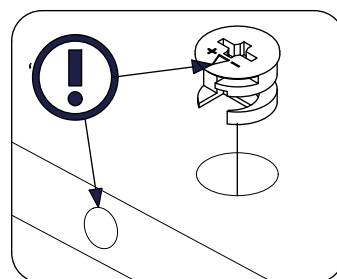
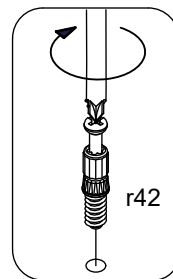
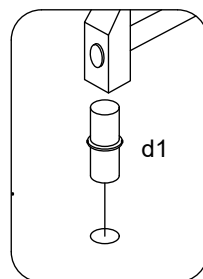
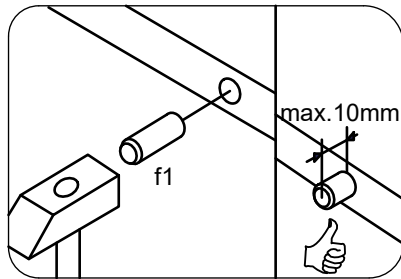
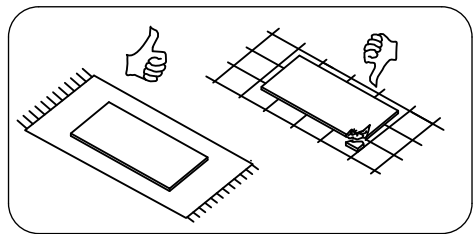
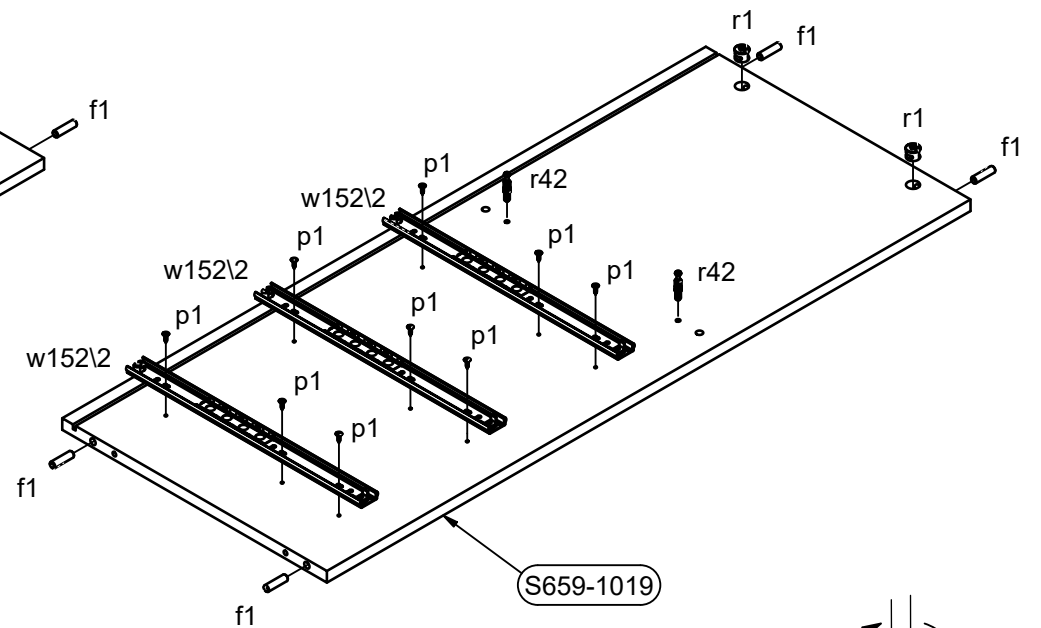
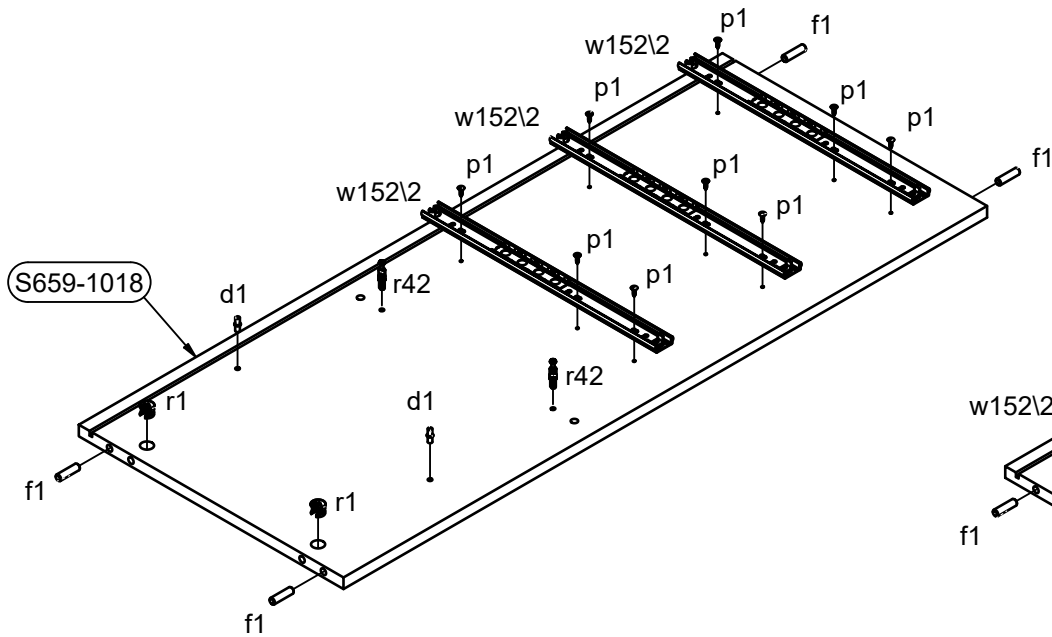
8x



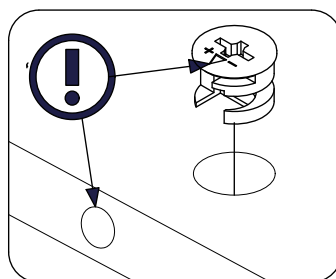
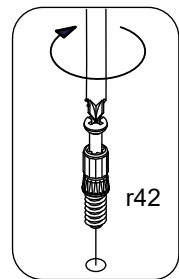
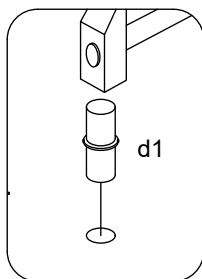
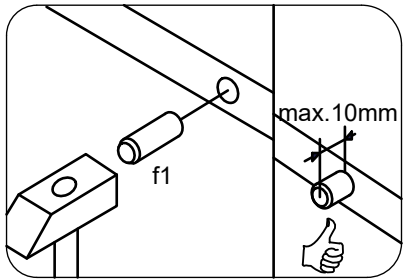
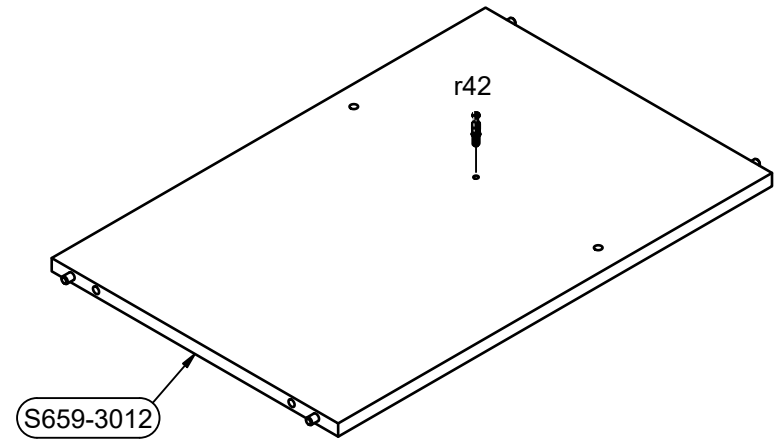
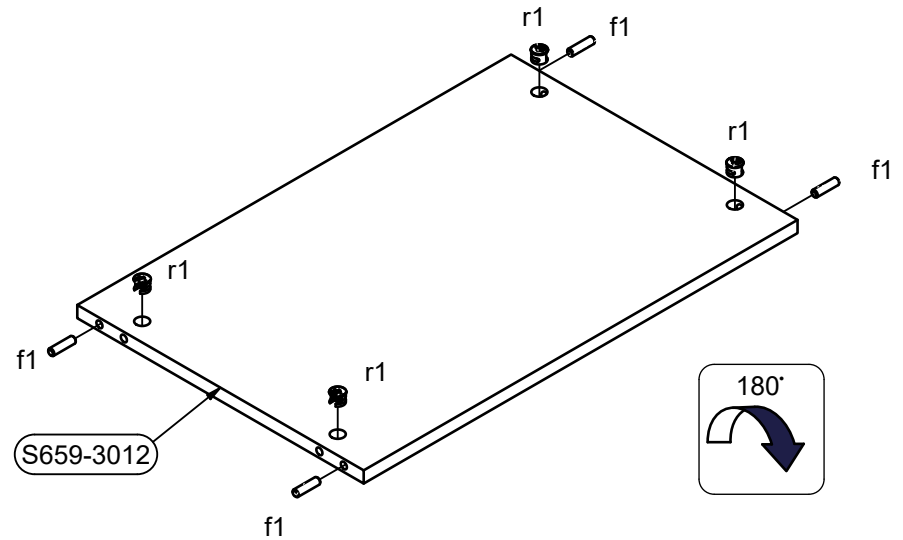
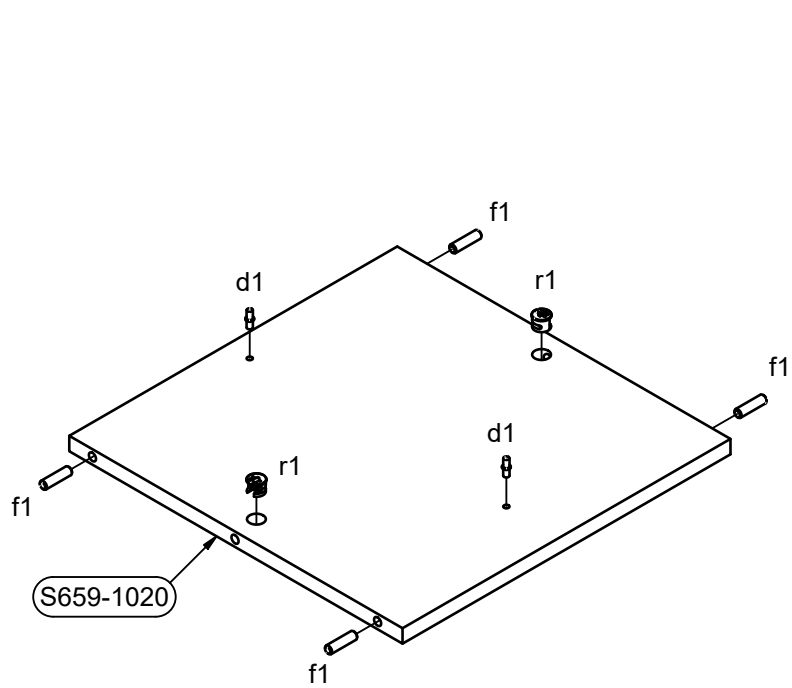
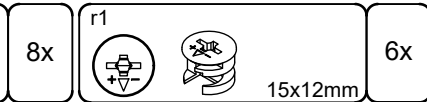
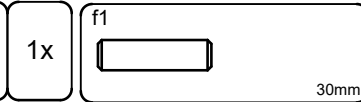
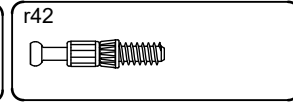
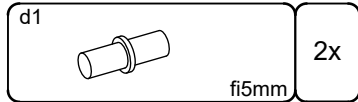
4x



18x



2 



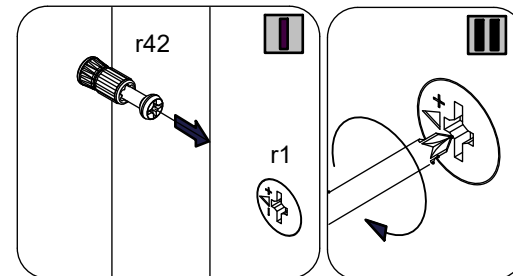
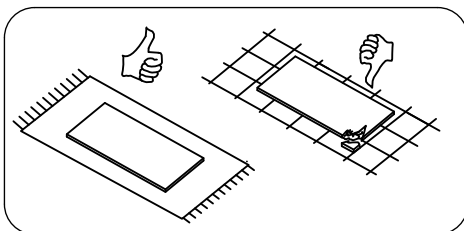
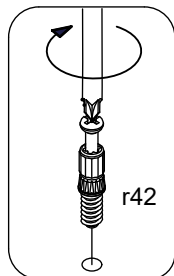
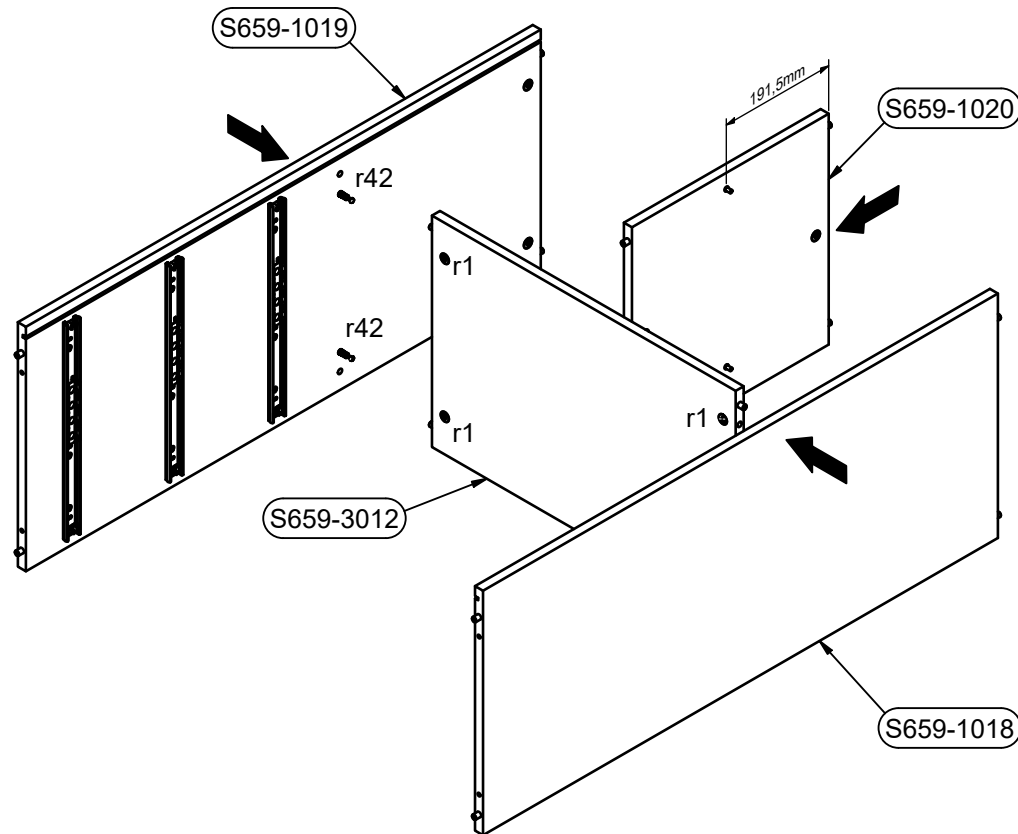
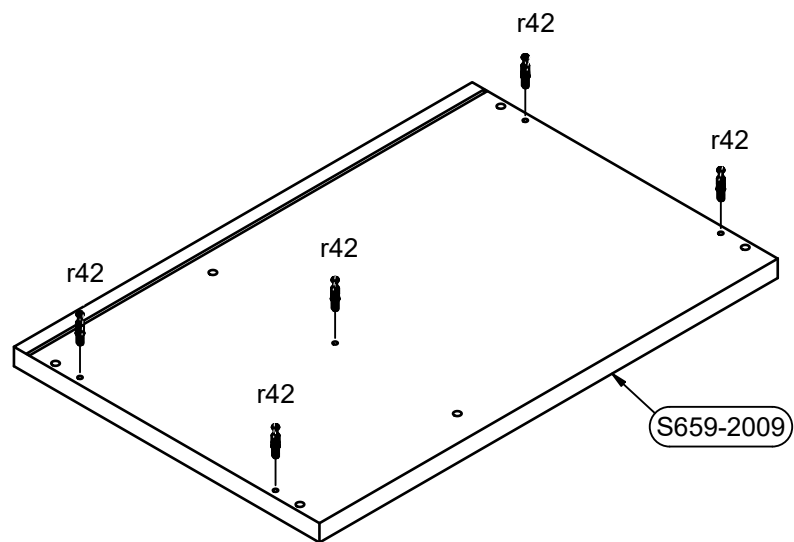
3

r42



5x

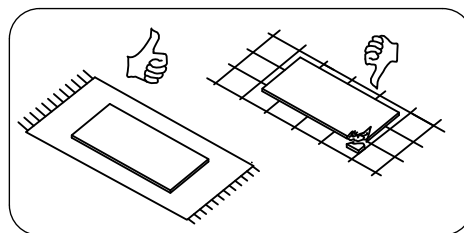
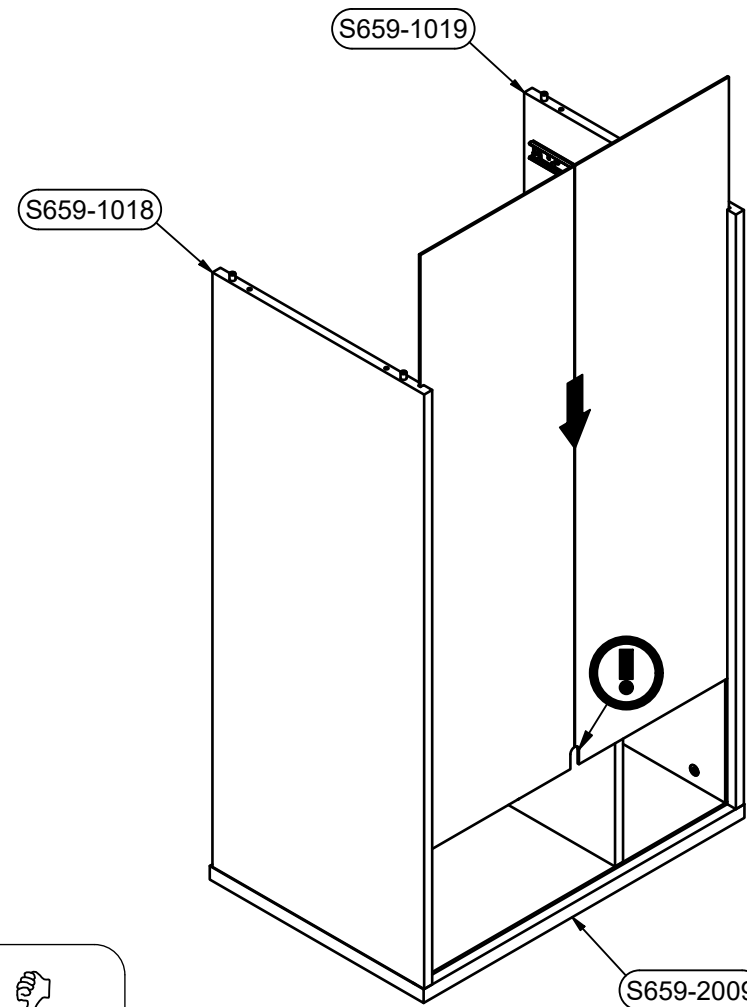
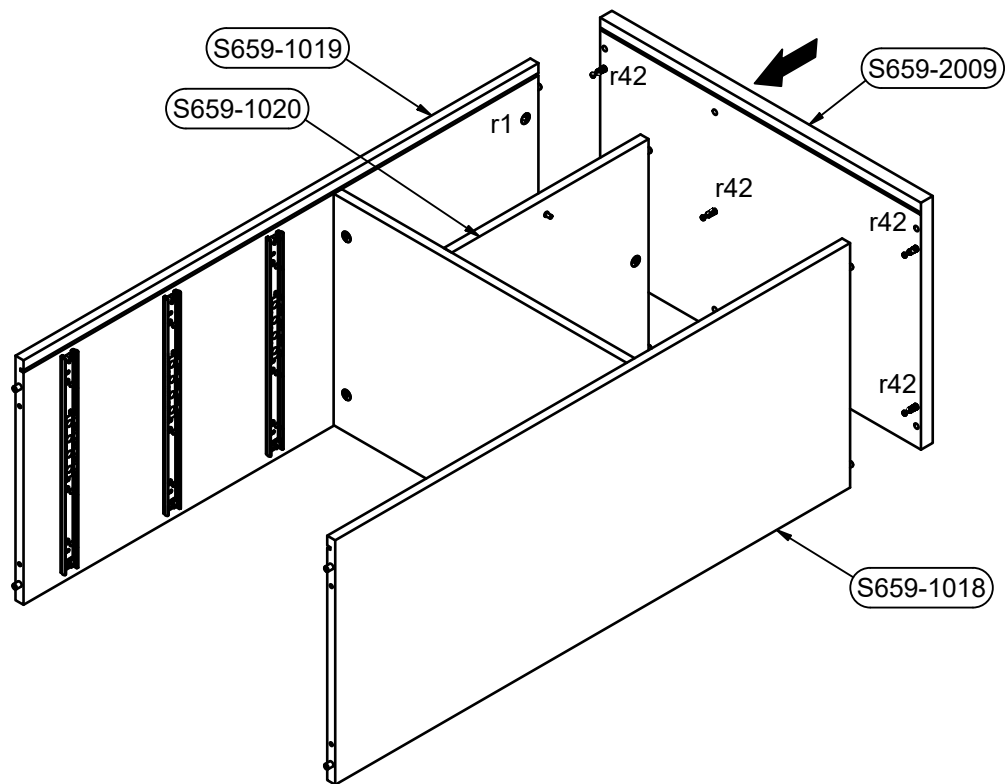
4



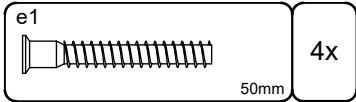
5



6



7

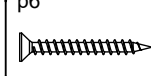


k55



4x

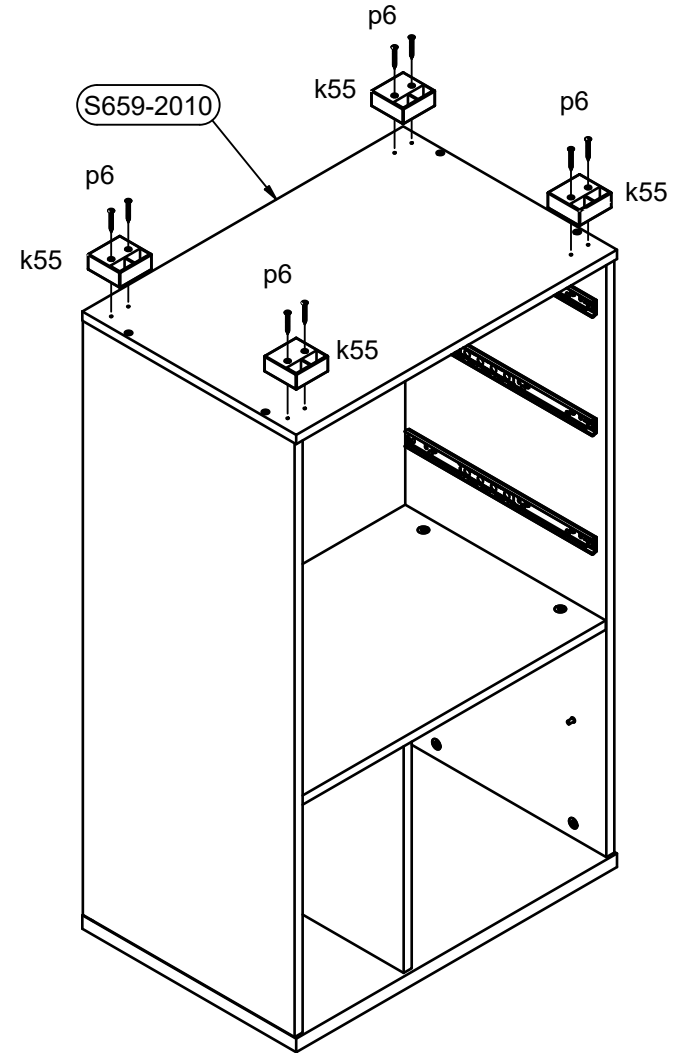
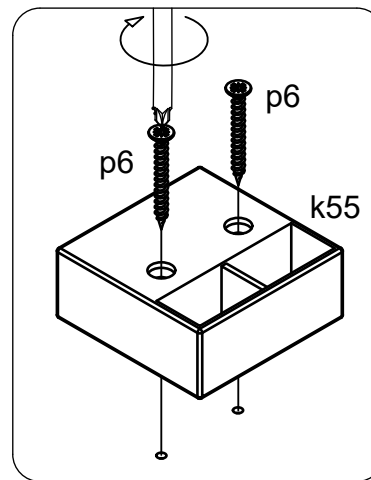
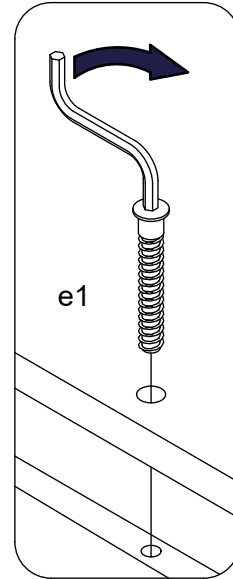
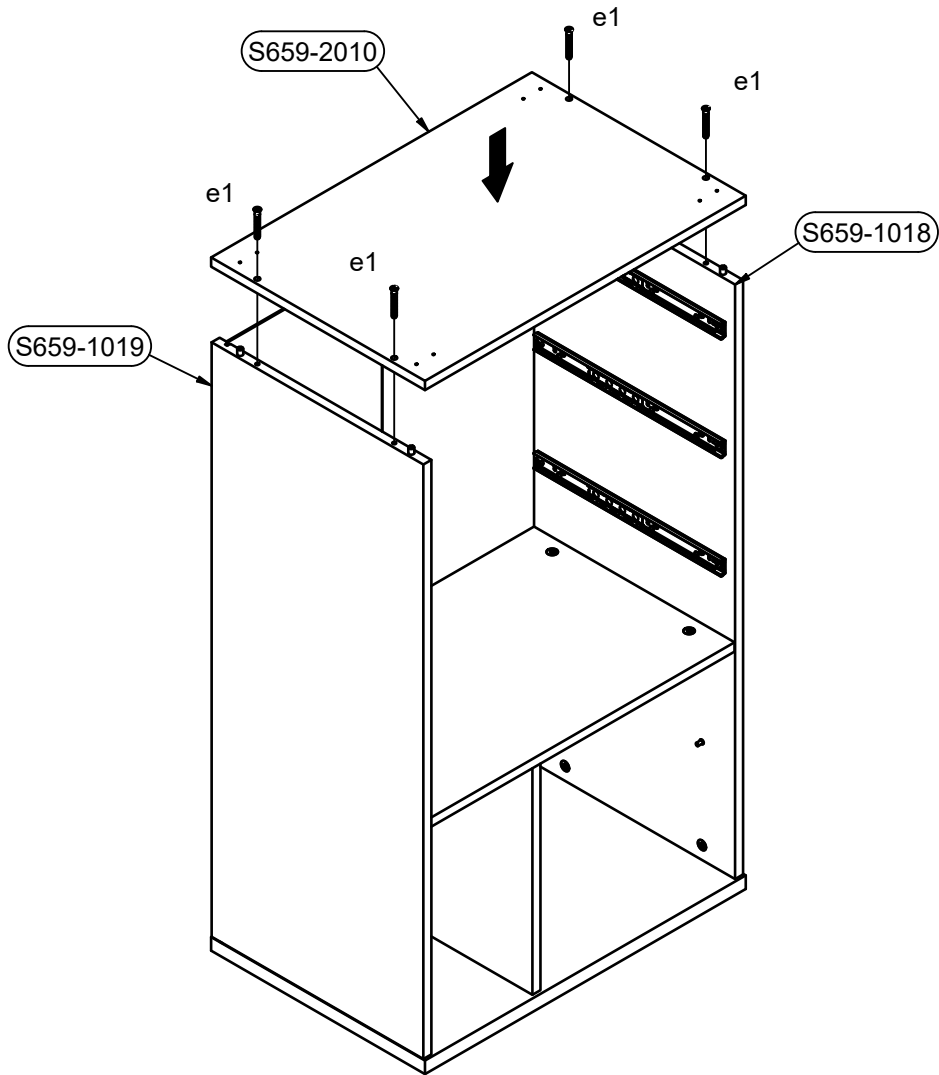
p6



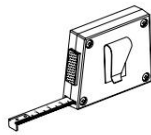
Ø4x35 mm

8x



8



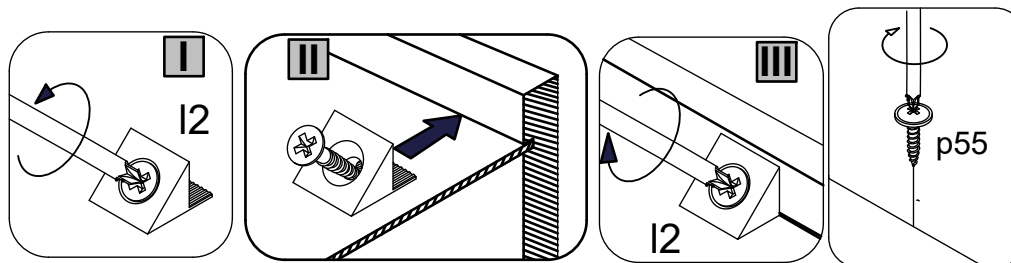
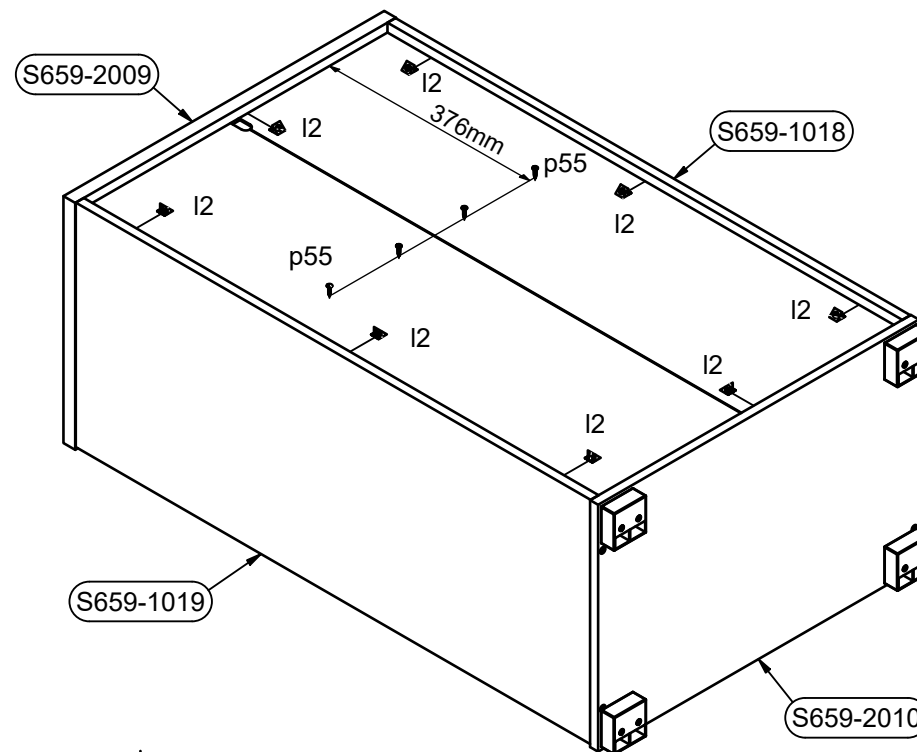
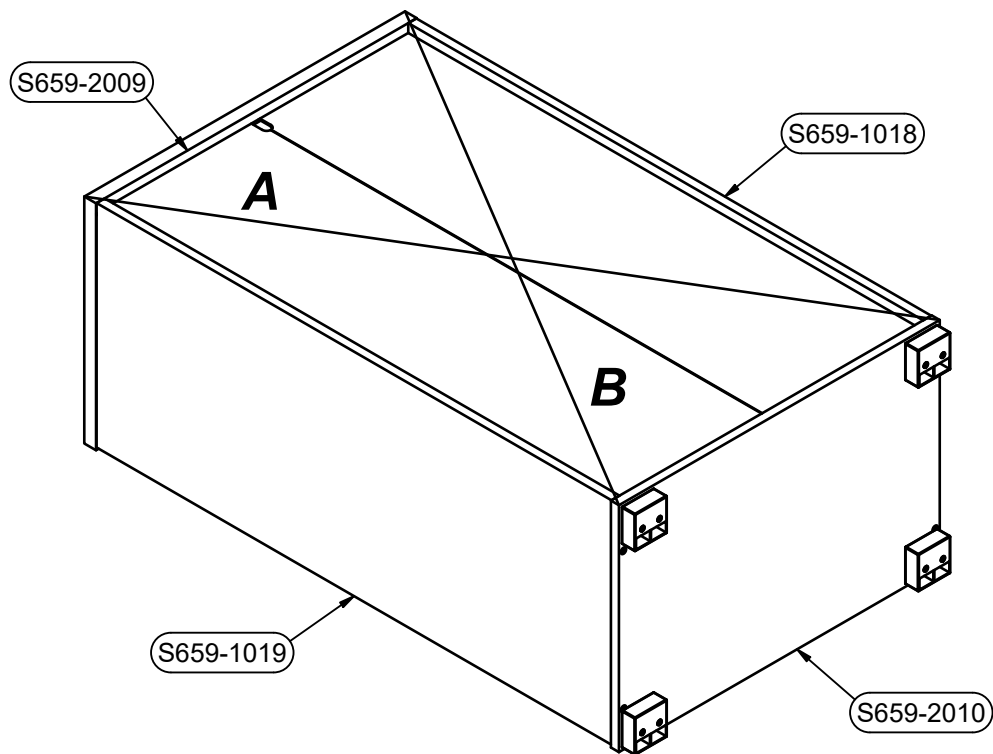
9




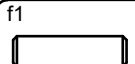


A=B
!

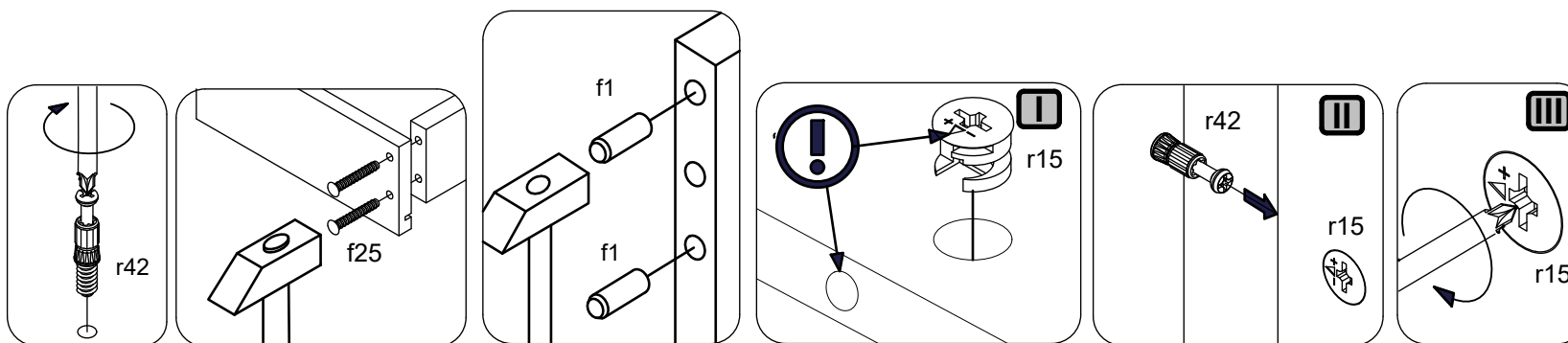
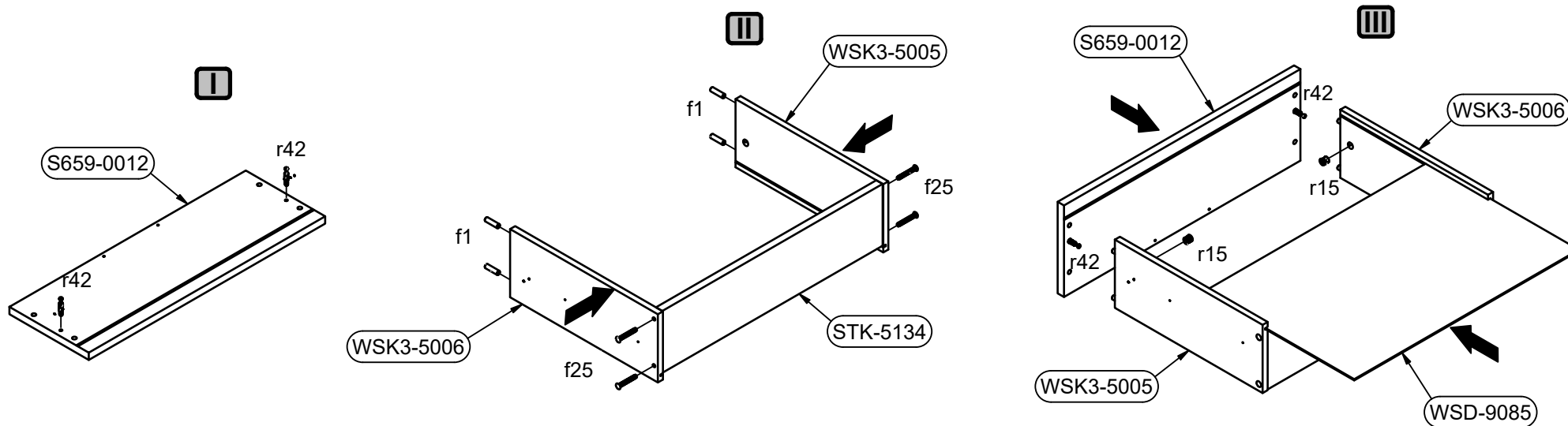
p55 	2.8x16mm	4x	l2 	8x
--	----------	----	---	----

10

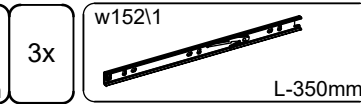
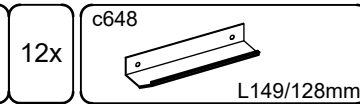
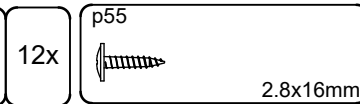
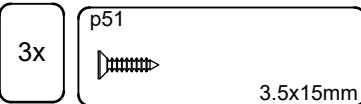
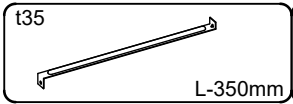


11
3x

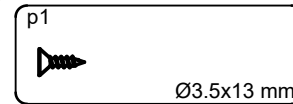
 <p>r42</p>	<p>6x</p>	 <p>f1</p>	<p>12x</p>	 <p>f25</p> <p>Ø6.5x40 mm</p>	<p>12x</p>	 <p>r15</p> <p>12x10,5mm</p>	<p>6x</p>
--	-----------	---	------------	---	------------	---	-----------



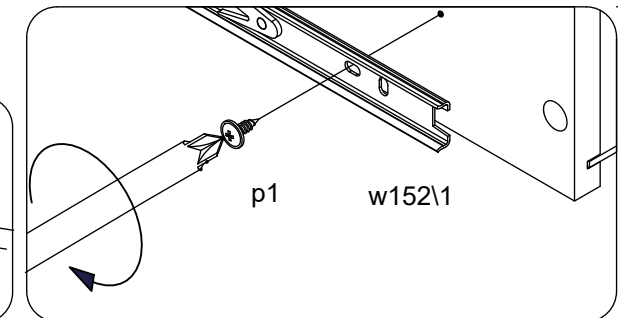
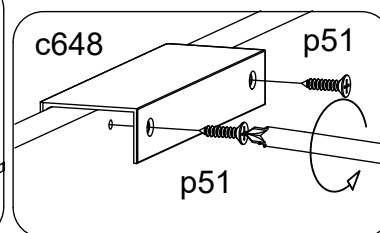
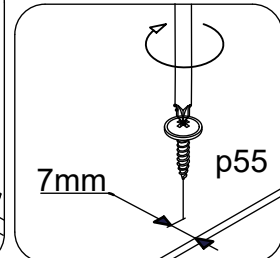
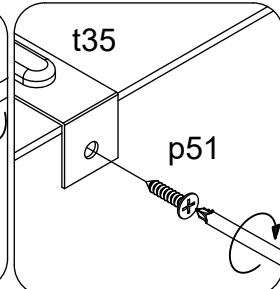
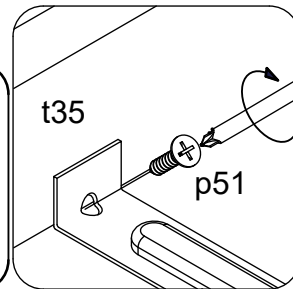
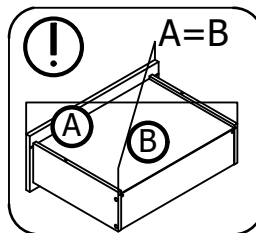
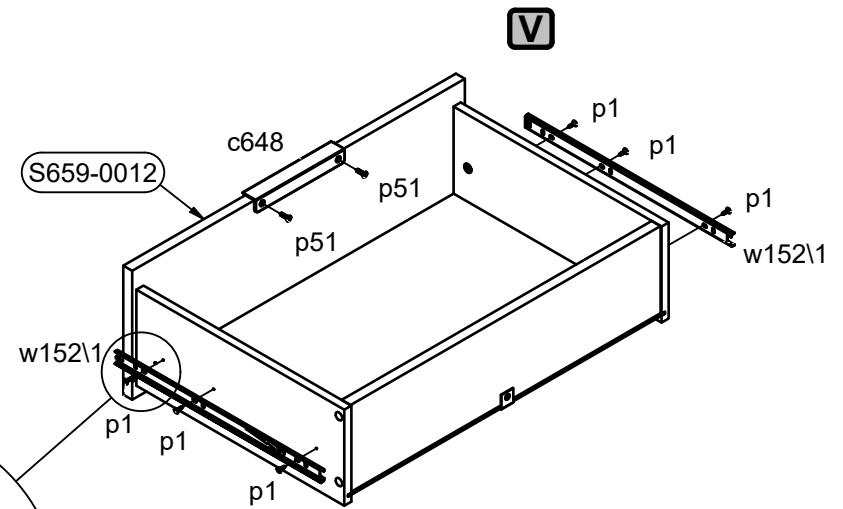
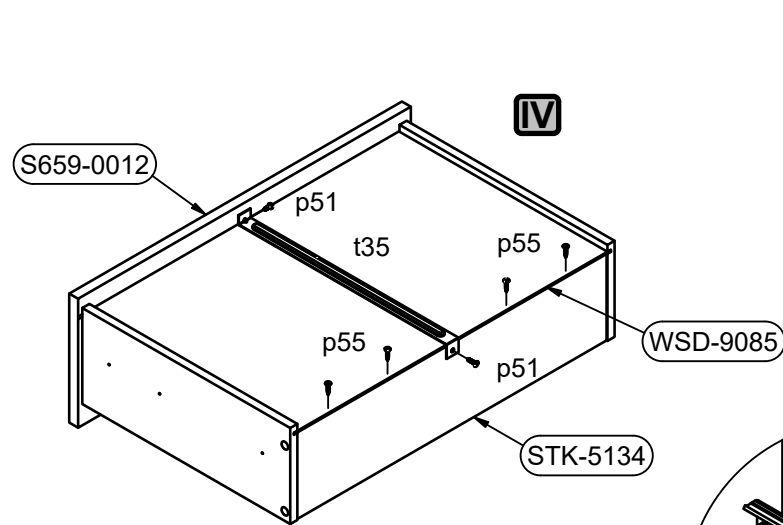
11
3x




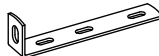

6x



18x



12

s68		6x
n14\2		1x
p51		2x
	∅20mm	
	3.5x15mm	

