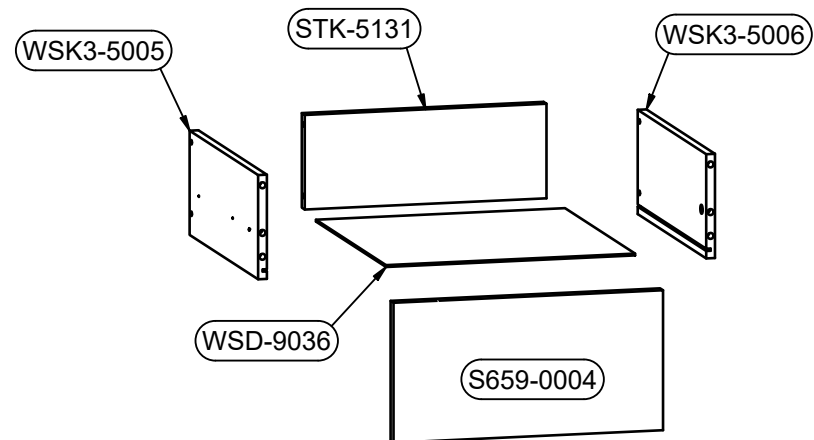
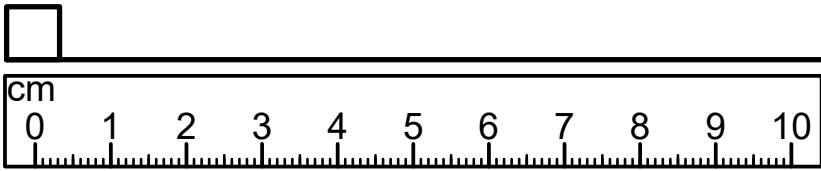
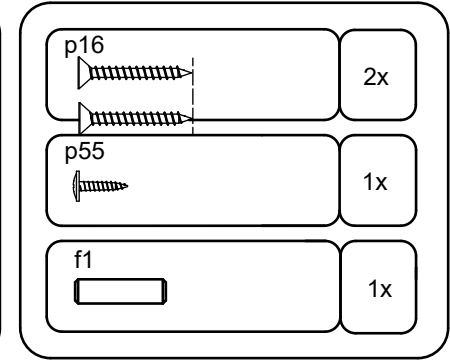
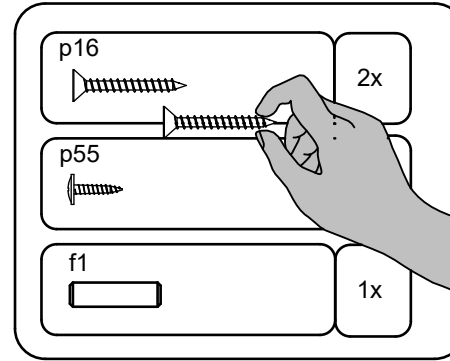



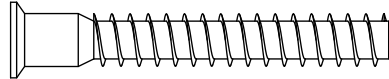

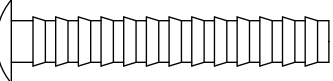
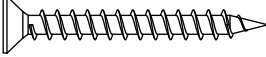

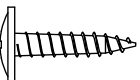


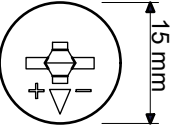
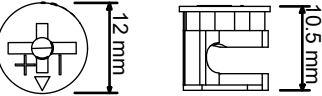
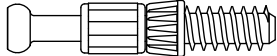
	B1	B2	C1	C2	C3	C4	D
	S659-0003	-	1305	468	15	1	2/2
	S659-0004	-	369	188	15	2	1/2
	S659-1006	-	1313	396	15	1	2/2
	S659-1007	-	1313	396	15	1	2/2
	S659-1008	-	1313	376	15	1	2/2
	S659-1009	-	410	374	15	1	1/2
	S659-2005	-	900	400	22	1	1/2
	S659-2006	-	900	400	15	1	1/2
	S659-3004	-	377	375	15	1	1/2
	S659-3005	-	377	375	15	1	1/2
	S659-3006	-	376	370	15	1	1/2
	S659-3007	-	181	370	15	1	1/2
	S659-3008	-	475	350	15	3	1/2
	S659-9003	-	1323	389	2,5	1	2/2
	S659-9301	-	1323	489	2,5	1	2/2
	STK-5131	-	331	127	15	2	1/2
	WSD-9036	-1	341	358	2,5	2	1/2
	WSK3-5005	-6	350	140	12	2	1/2
	WSK3-5006	-6	350	140	12	2	1/2
	p1	-1				24	

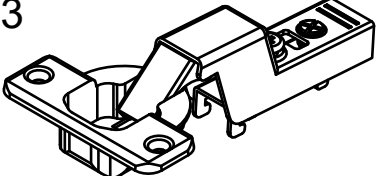
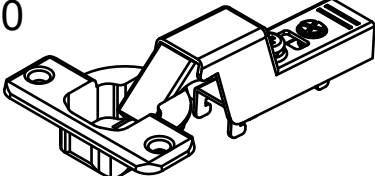
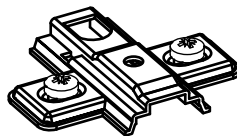
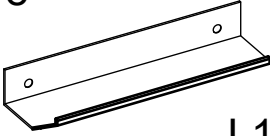
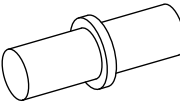
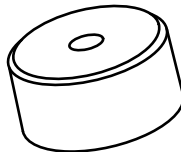
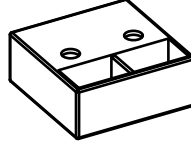
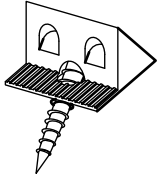
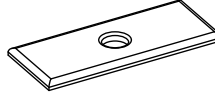
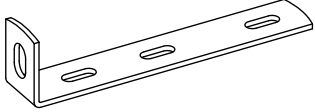
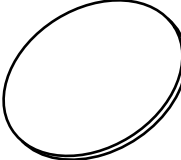
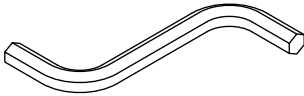
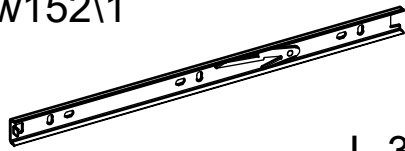
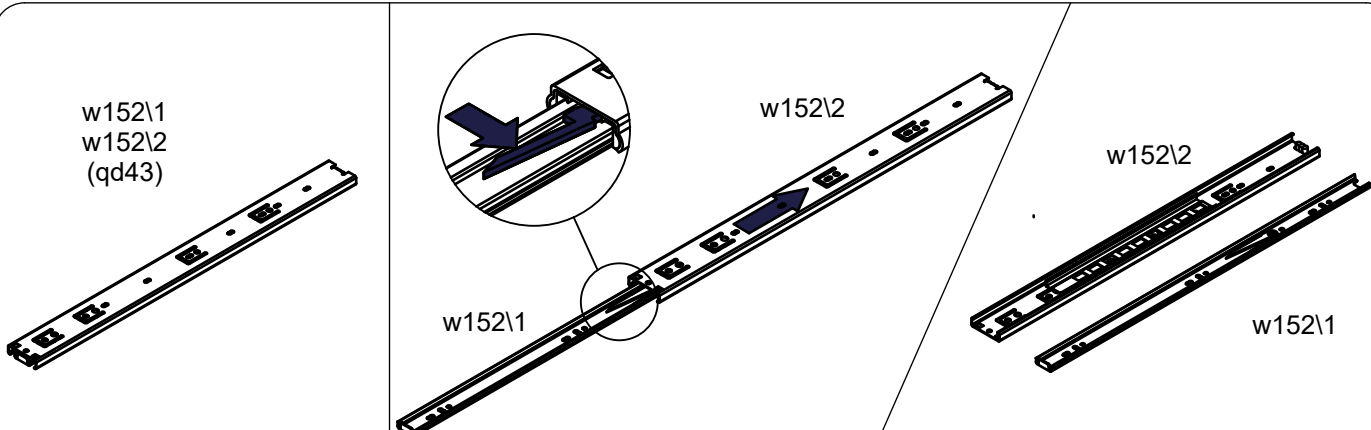
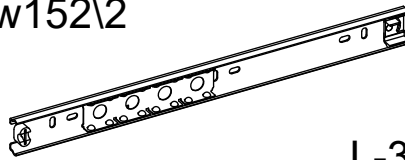


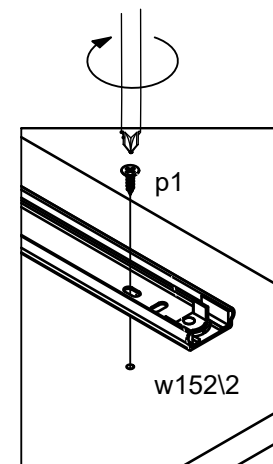
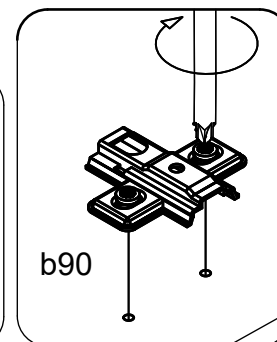
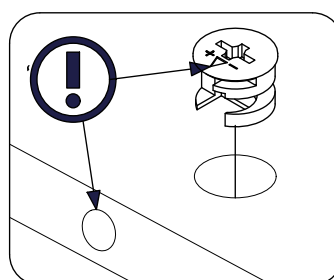
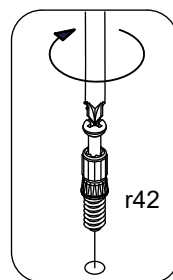
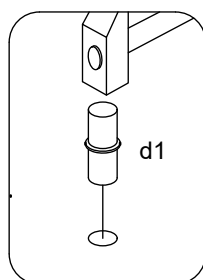
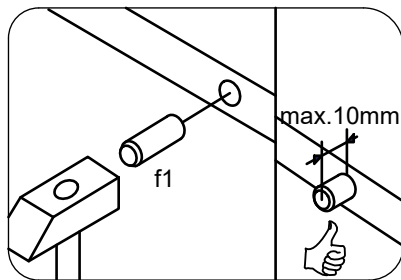
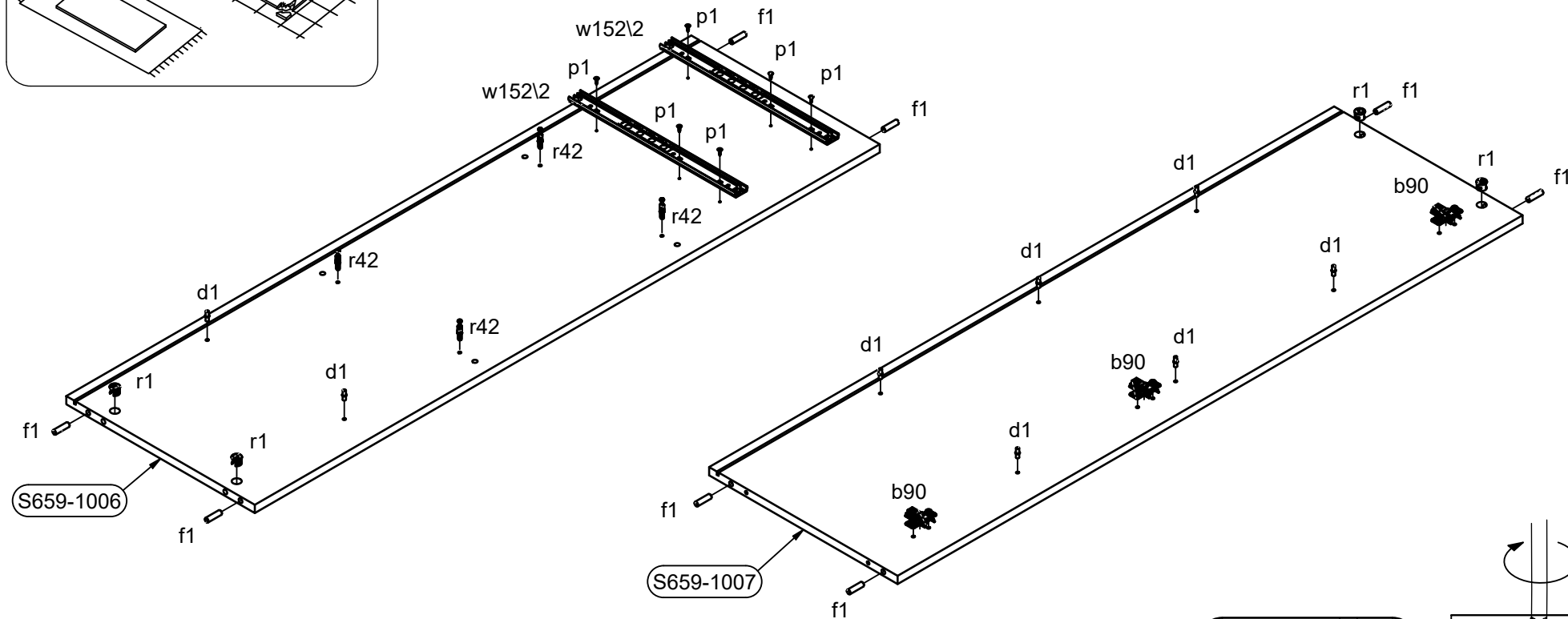
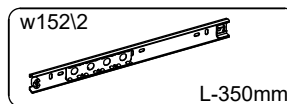
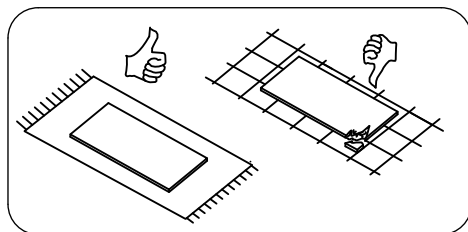
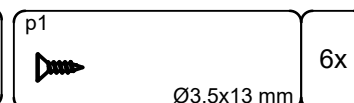
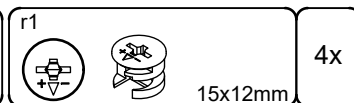
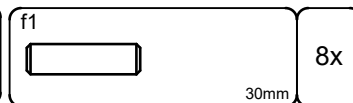
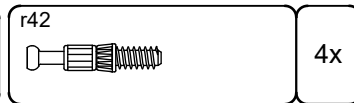
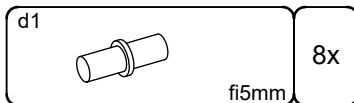


1:1



<p>d4</p>  <p>Ø6.3x15 mm</p>	<p>1x</p>	<p>e1</p>  <p>50mm</p>	<p>5x</p>	<p>f1</p>  <p>30mm</p>	<p>32x</p>
<p>f25</p>  <p>6.5x40 mm</p>	<p>8x</p>	<p>p6</p>  <p>Ø4x35 mm</p>	<p>8x</p>	<p>p36</p>  <p>Ø4x25 mm</p>	<p>1x</p>
<p>p55</p>  <p>2.8x16mm</p>	<p>20x</p>	<p>p51</p>  <p>3.5x15mm</p>	<p>14x</p>	<p>p1</p>  <p>Ø3.5x13 mm</p>	<p>24x</p>
<p>r1</p>  <p>15x12mm</p>	<p>13x</p>	<p>r15</p>  <p>12x10,5mm</p>	<p>4x</p>	<p>r42</p> 	<p>17x</p>

<p>a203</p> 	<p>2x</p>	<p>a210</p> 	<p>1x</p>	<p>b90</p> 	<p>3x</p>
<p>c648</p>  <p>L149/128mm</p>	<p>3x</p>	<p>d1</p>  <p>fi5mm</p>	<p>20x</p>	<p>k53</p> 	<p>1x</p>
<p>k55</p> 	<p>4x</p>	<p>l2</p> 	<p>10x</p>	<p>n108</p> 	<p>8x</p>
<p>n14\2</p> 	<p>1x</p>	<p>s68</p>  <p>Ø20mm</p>	<p>9x</p>	<p>z1</p>  <p>4mm</p>	<p>1x</p>
<p>w152\1</p>  <p>L-350mm</p>	<p>4x</p>	 <p>w152\1 w152\2 (qd43)</p> <p>w152\1</p> <p>w152\2</p> <p>w152\2</p> <p>w152\1</p>			
<p>w152\2</p>  <p>L-350mm</p>	<p>4x</p>				



2

d1		10x
	fi5mm	

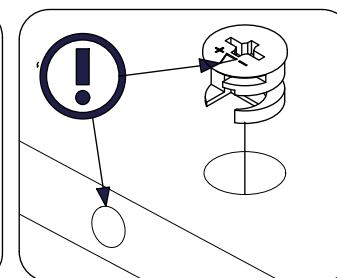
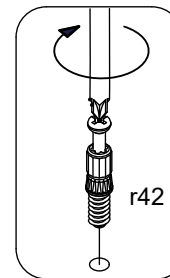
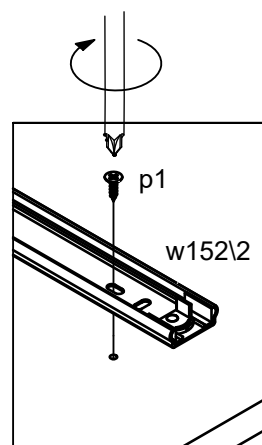
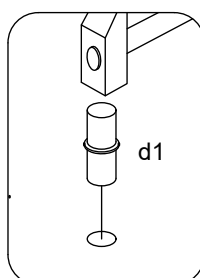
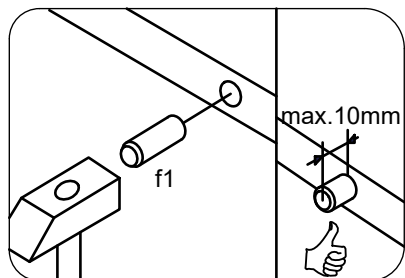
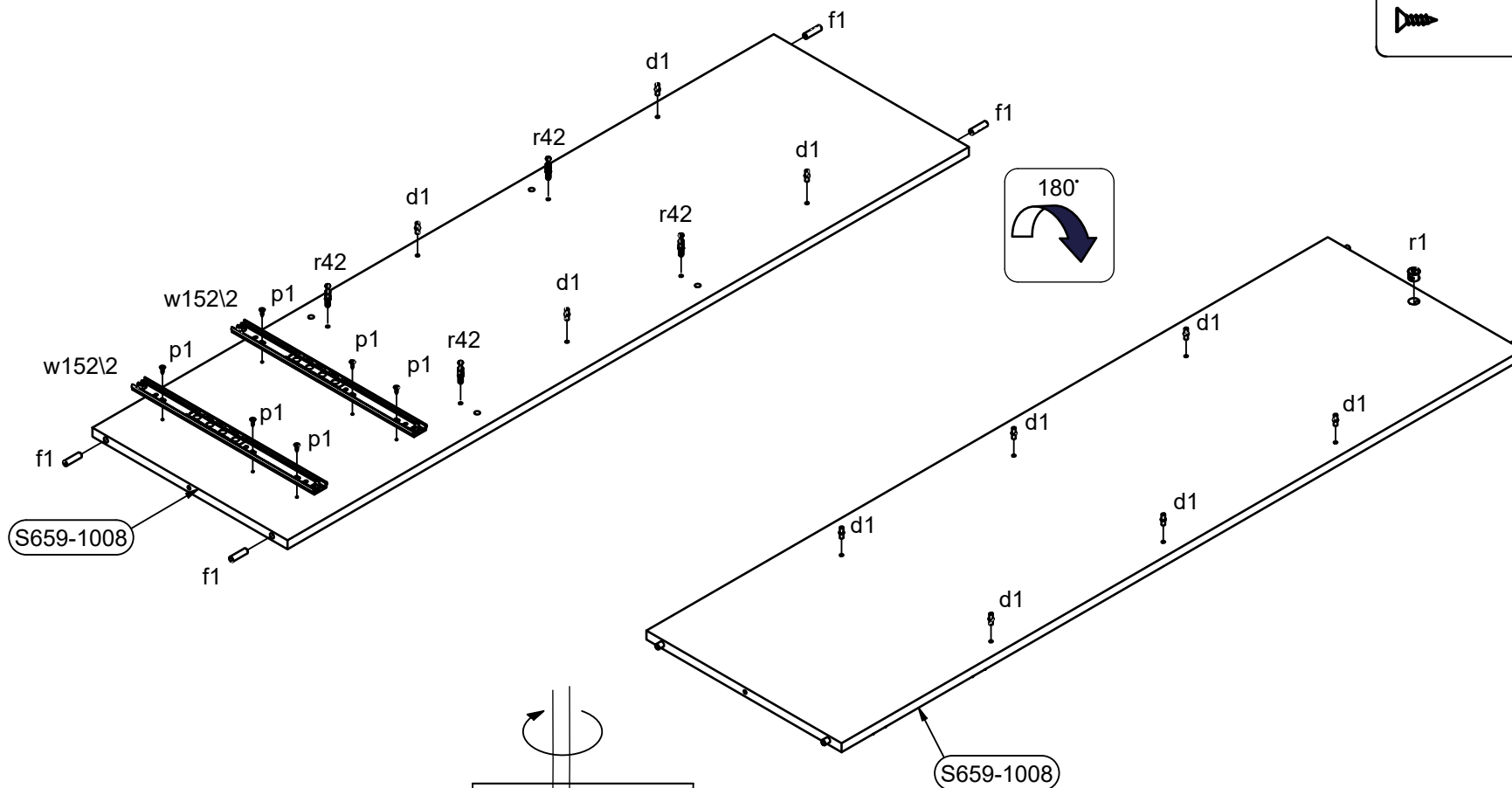
r42		4x
-----	--	----

f1		4x
	30mm	

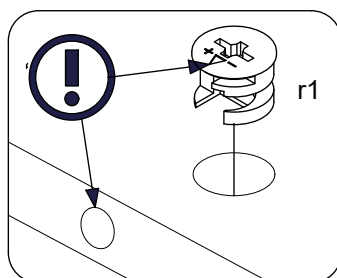
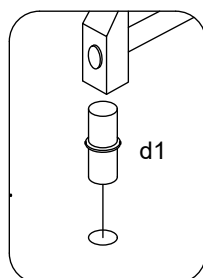
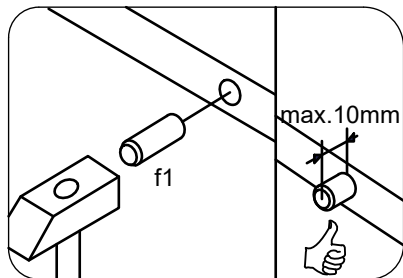
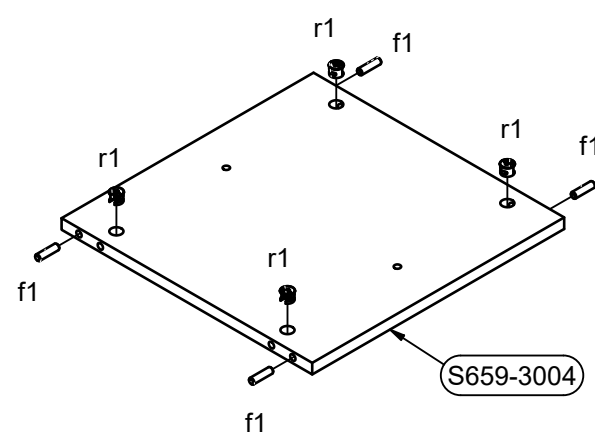
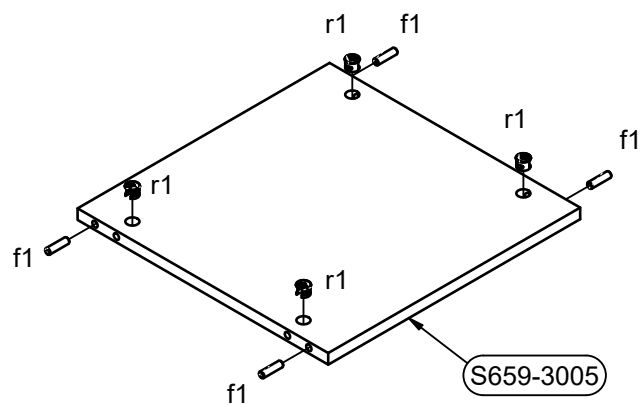
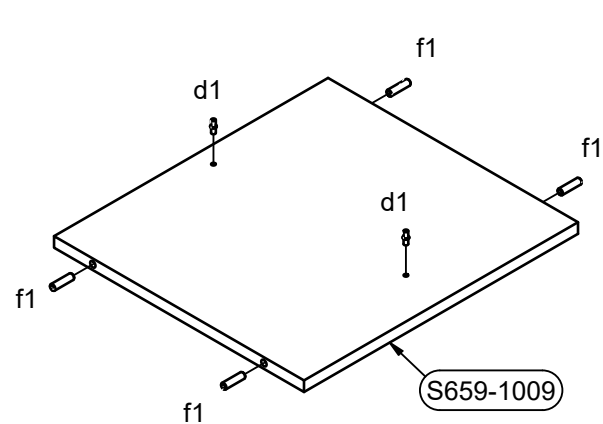
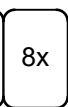
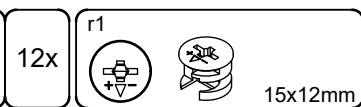
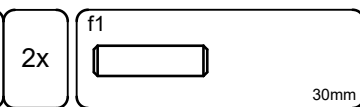
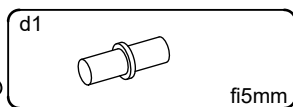
r1		1x
	15x12mm	

w152\2		2x
	L-350mm	

p1		6x
	Ø3.5x13 mm	

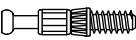


3




4

r42 5x




d4 1x


Ø6.3x15 mm



a203 2x


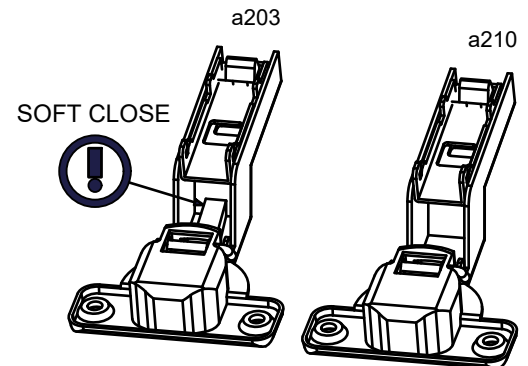
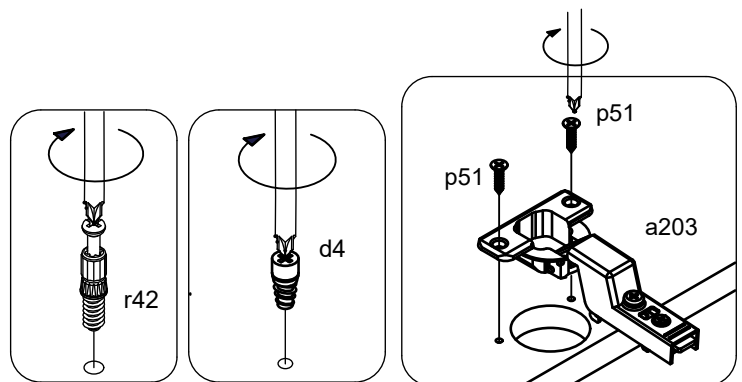
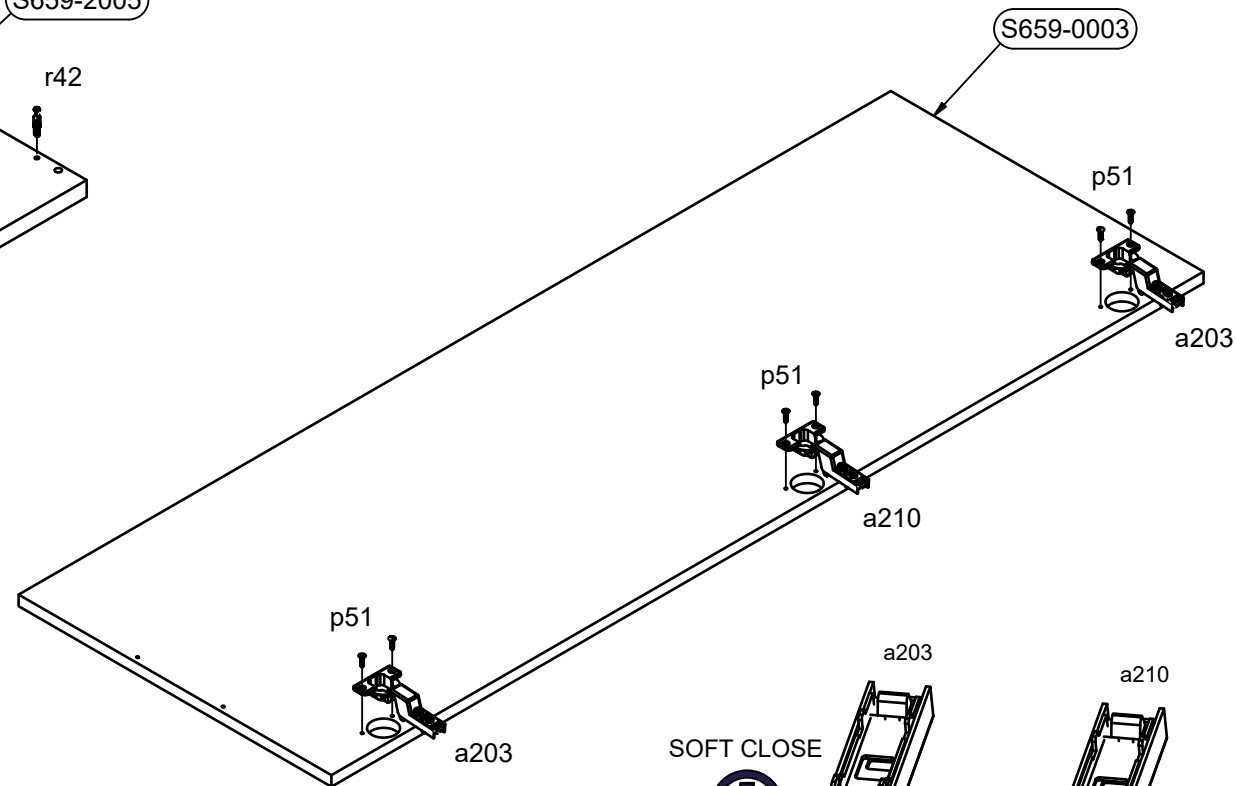
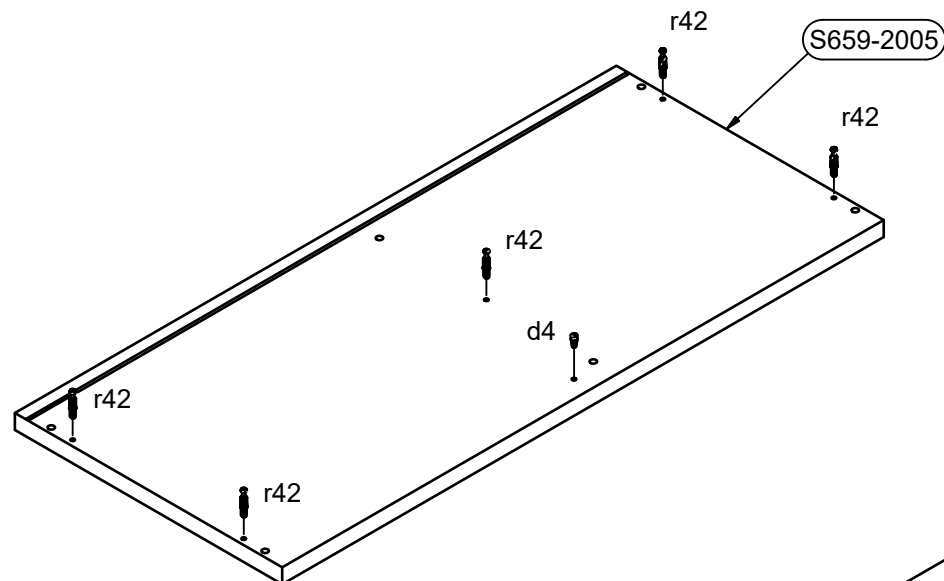
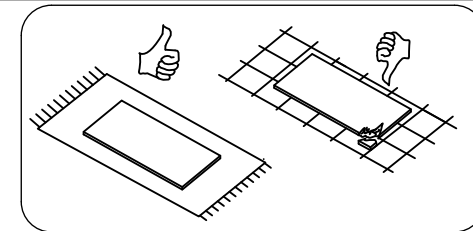


a210 1x



p51 6x

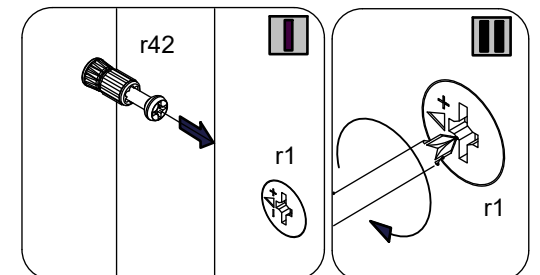
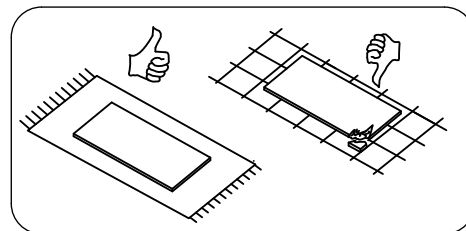
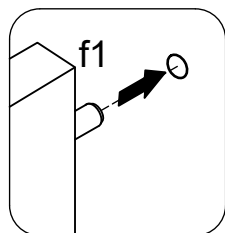
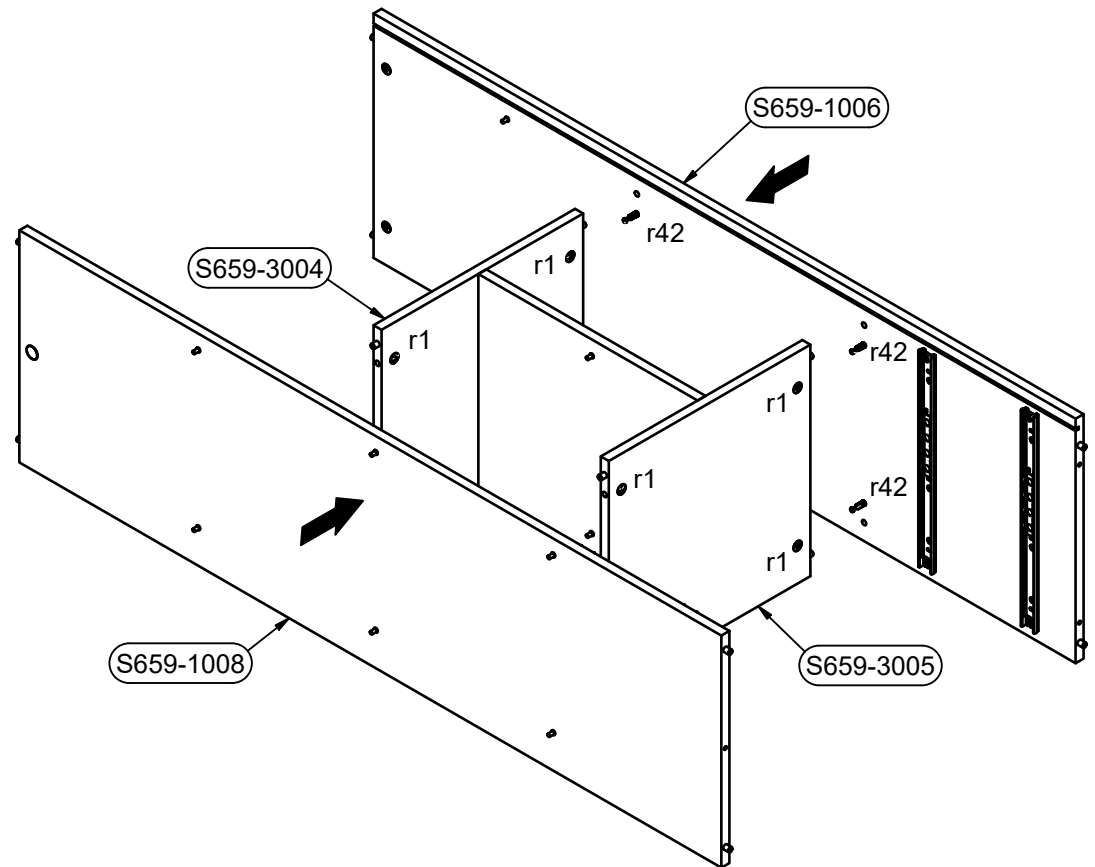
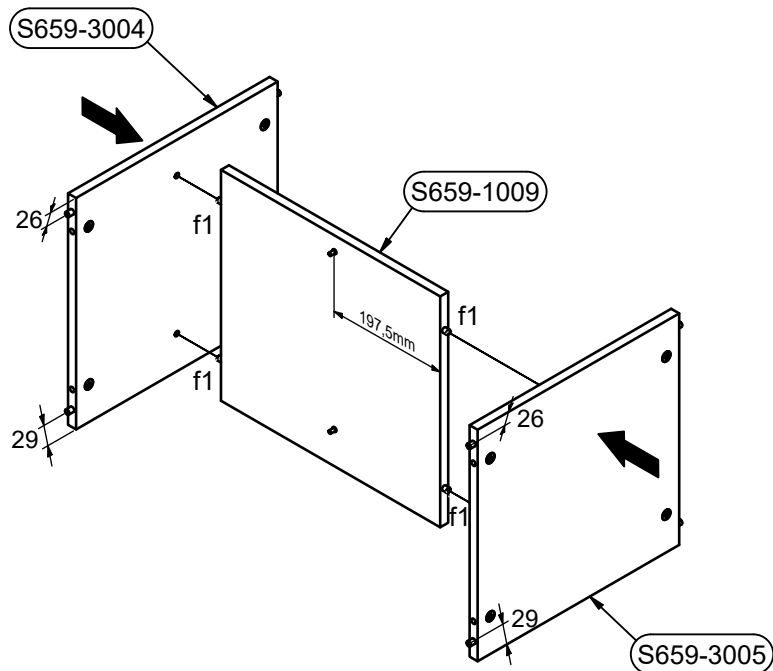
3.5x15mm

5



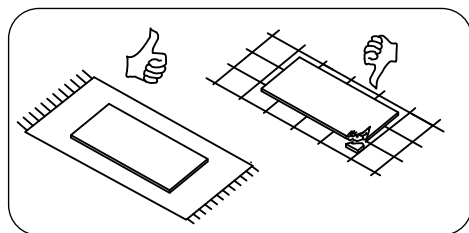
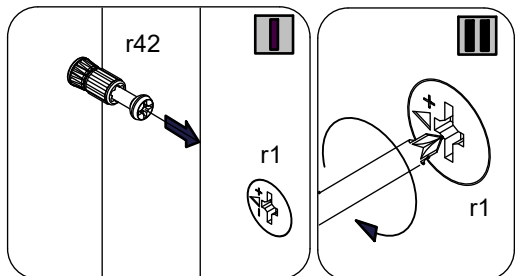
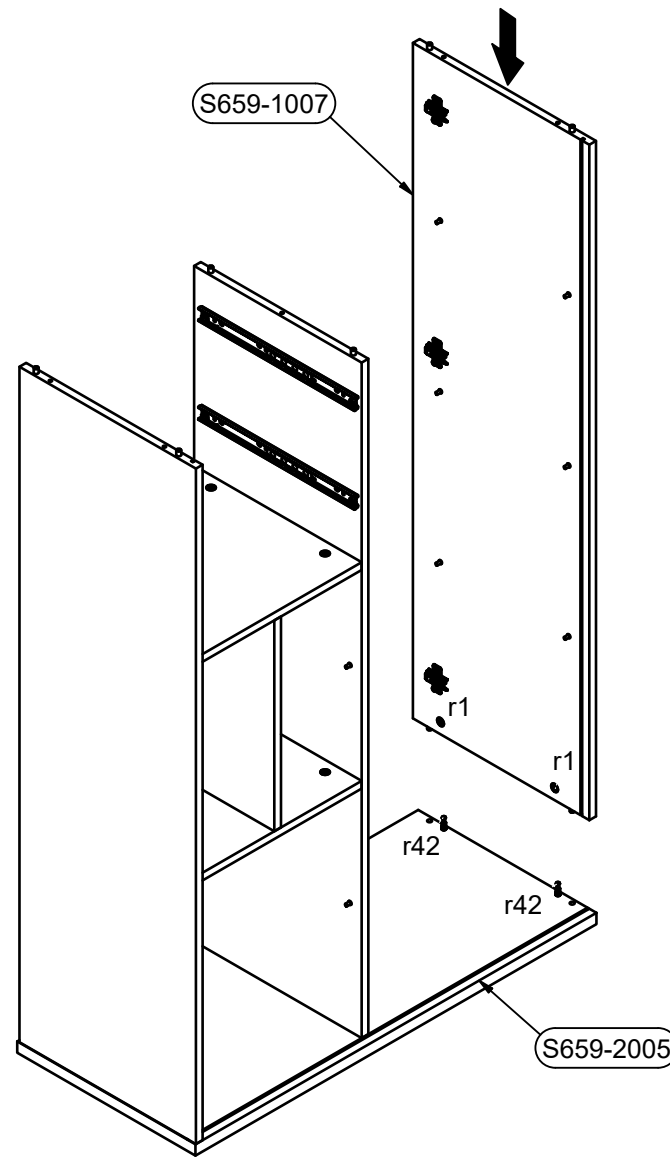
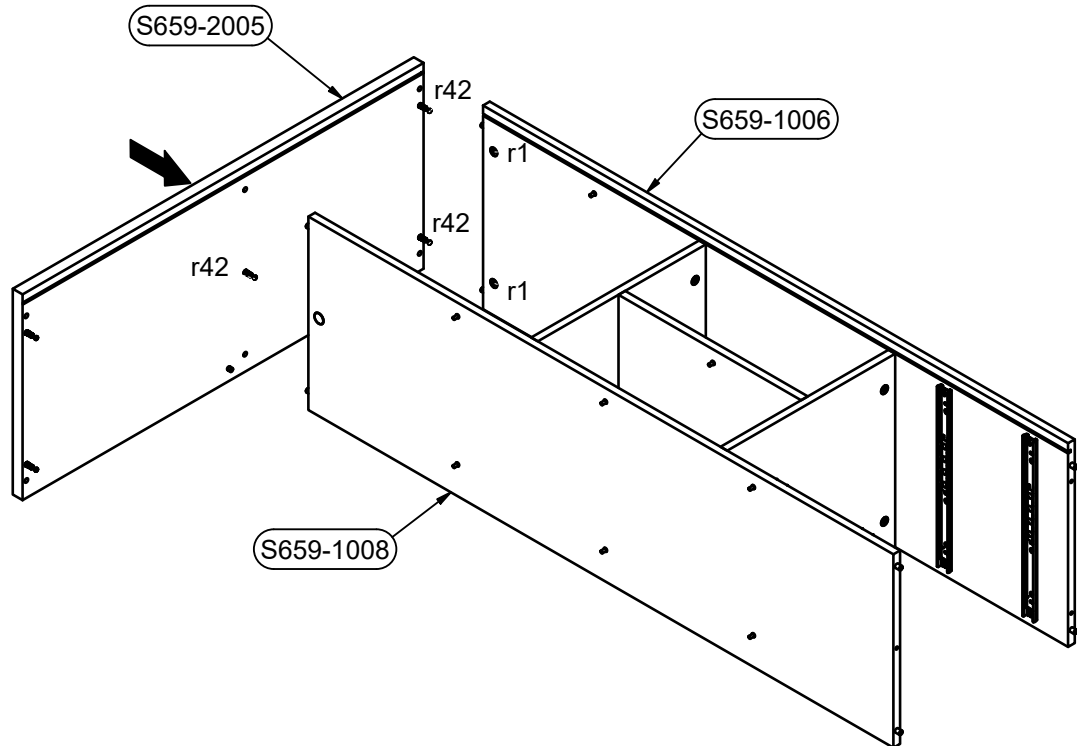
6



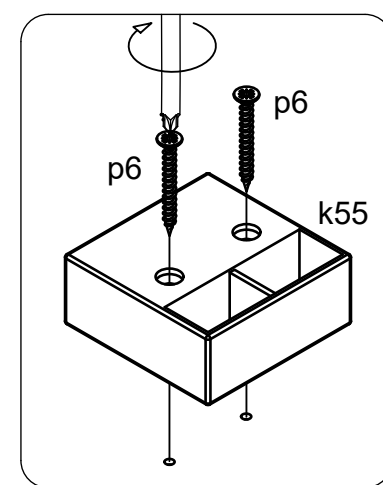
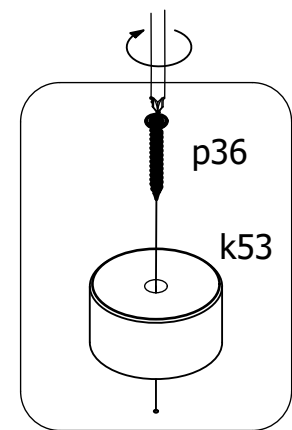
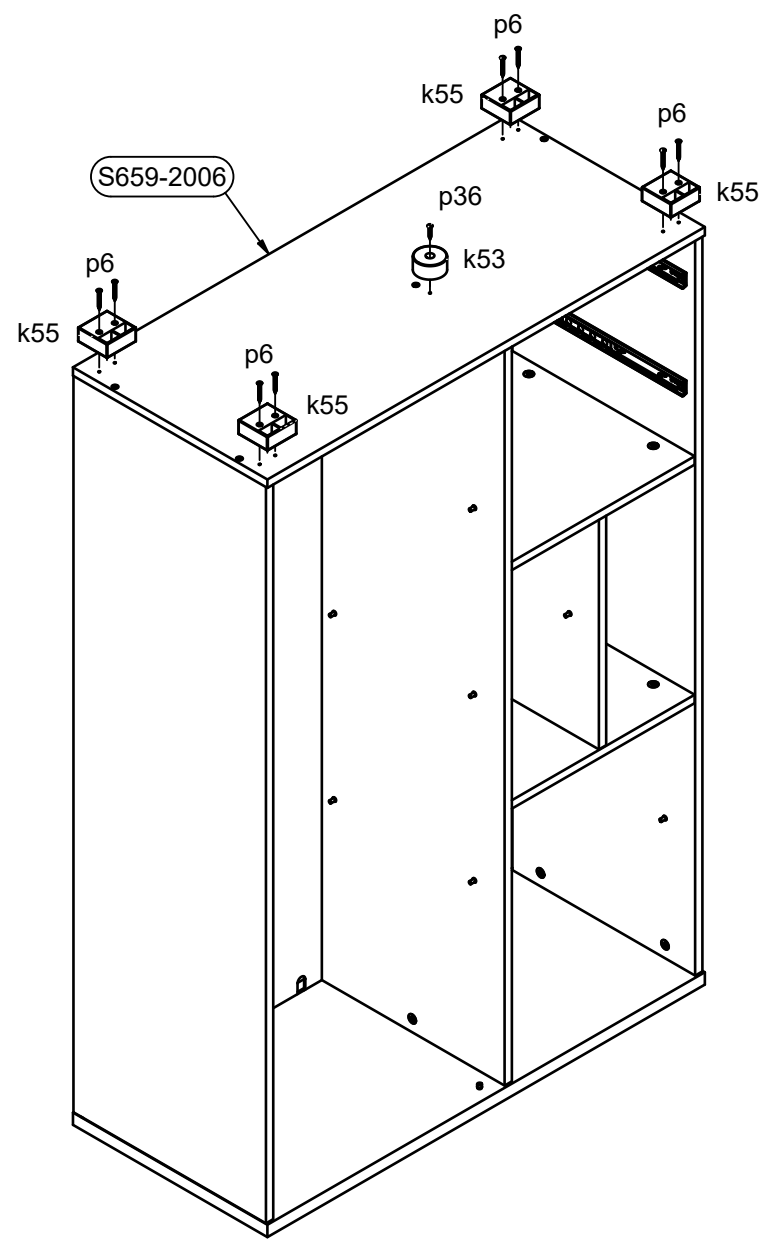
7




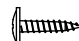

8

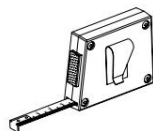


- k55  4x
- p6  Ø4x35 mm
- 8x k53  1x
- p36  Ø4x25 mm 1x

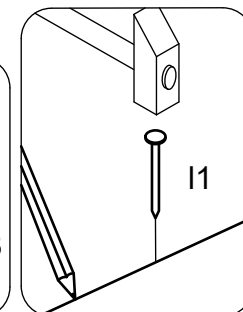
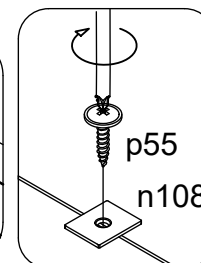
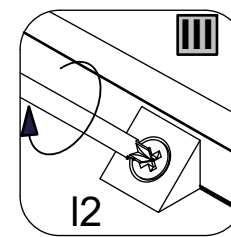
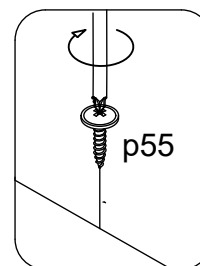
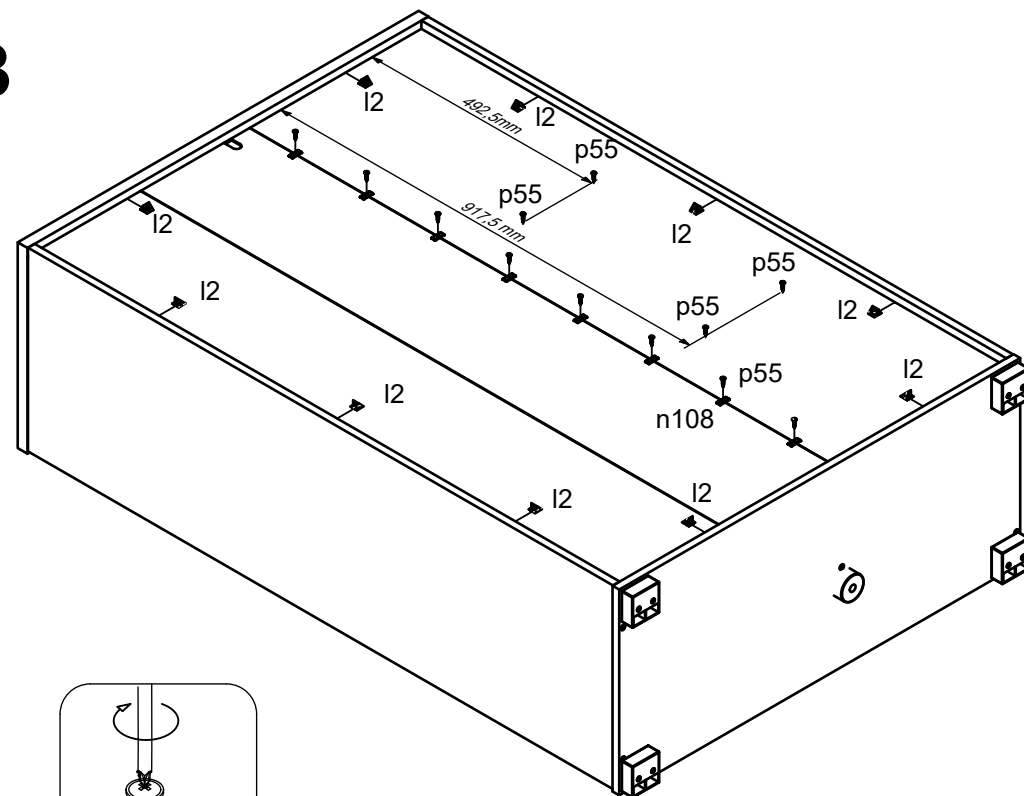
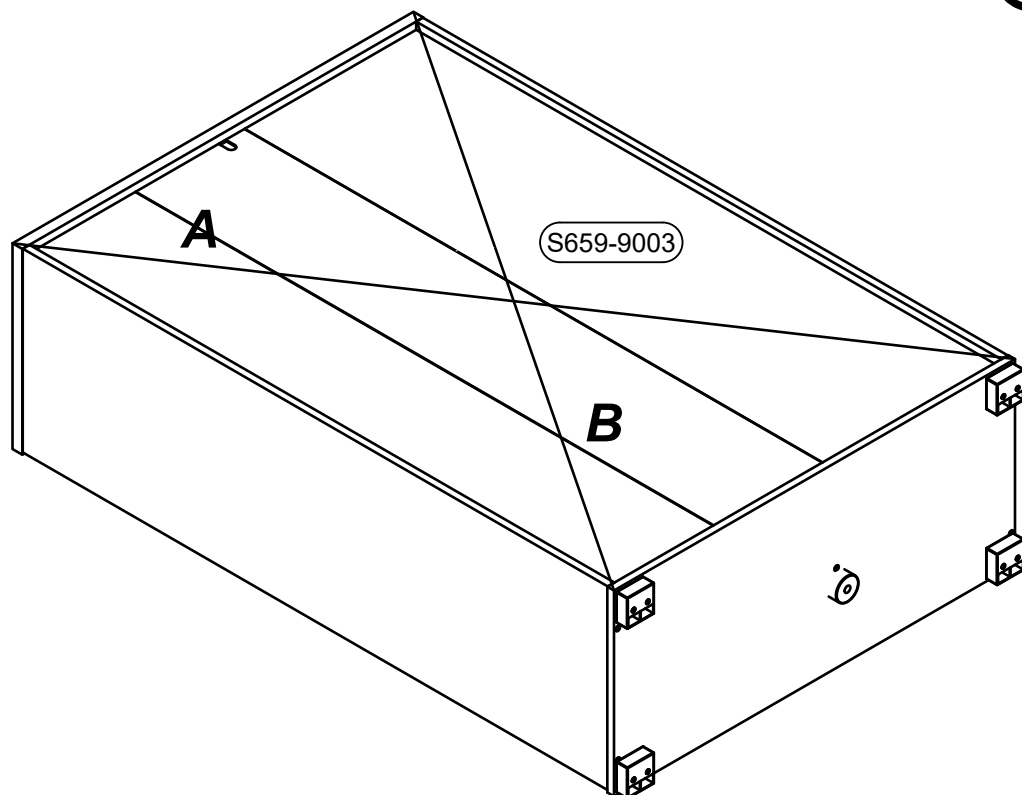


12


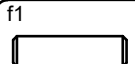


- n108  8x
- p55  2.8x16mm 12x
- l2  10x

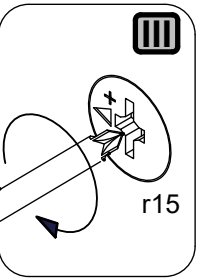
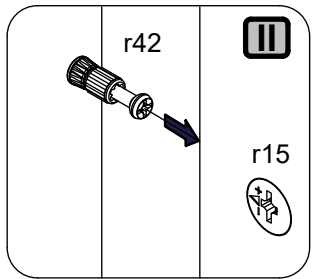
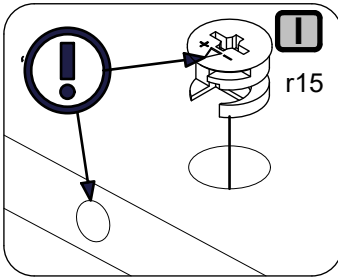
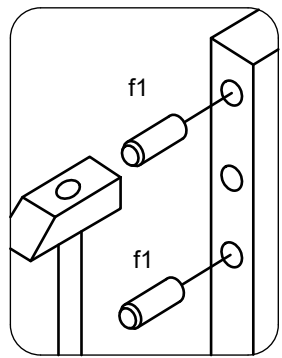
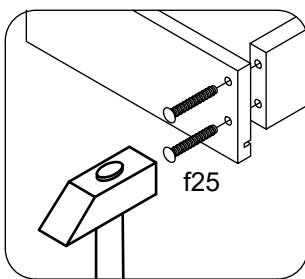
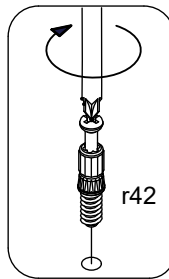
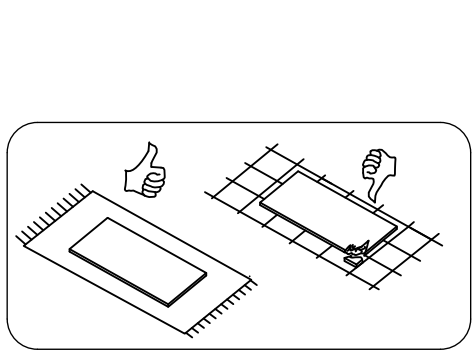
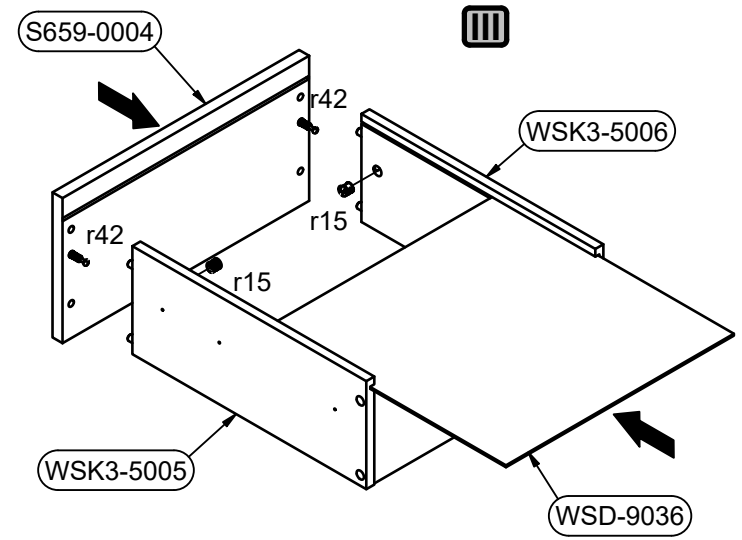
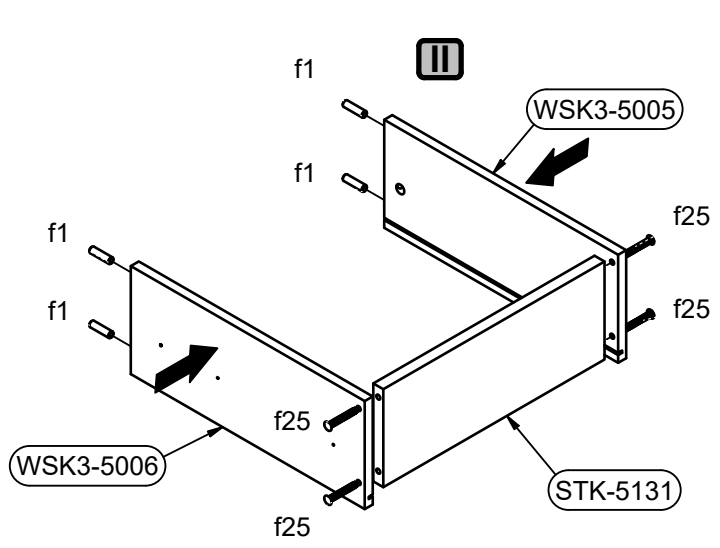
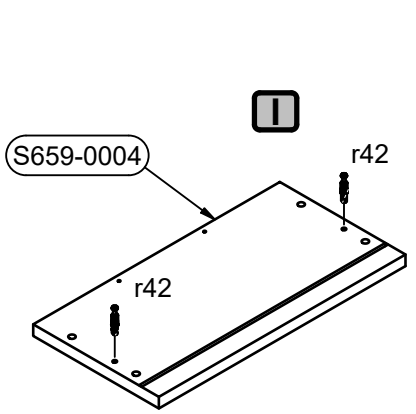


A=B



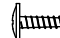




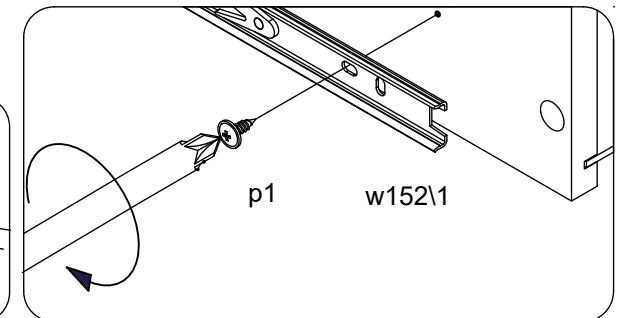
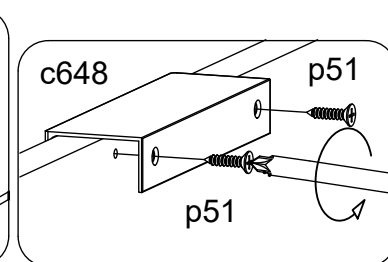
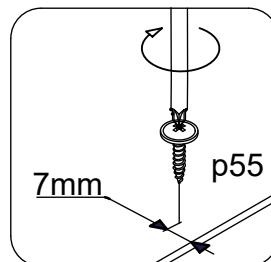
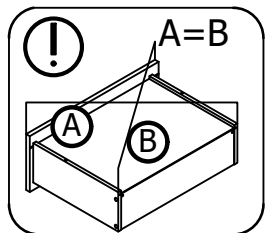
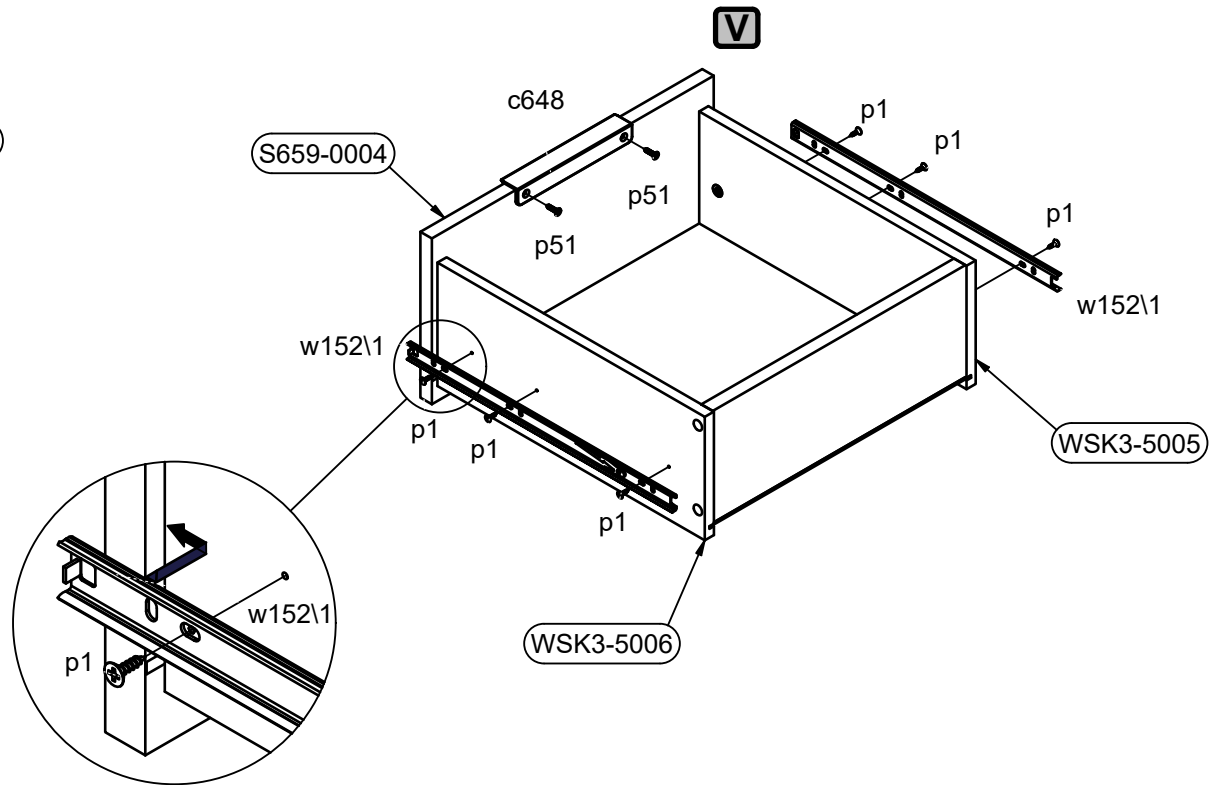
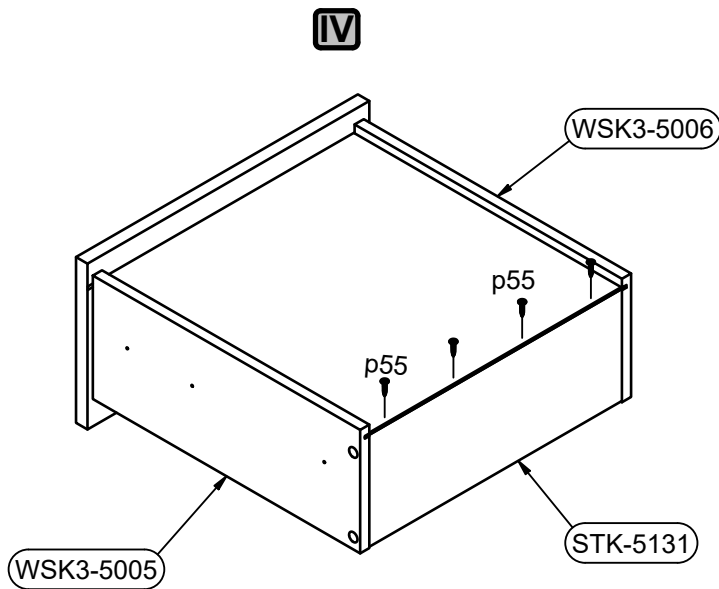
13
2x

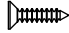


 <p>r42</p>	<p>4x</p>	 <p>f1</p>	<p>8x</p>	 <p>f25</p> <p>Ø6.5x40 mm</p>	<p>8x</p>	 <p>r15</p> <p>12x10,5mm</p>	<p>4x</p>
--	-----------	---	-----------	---	-----------	---	-----------

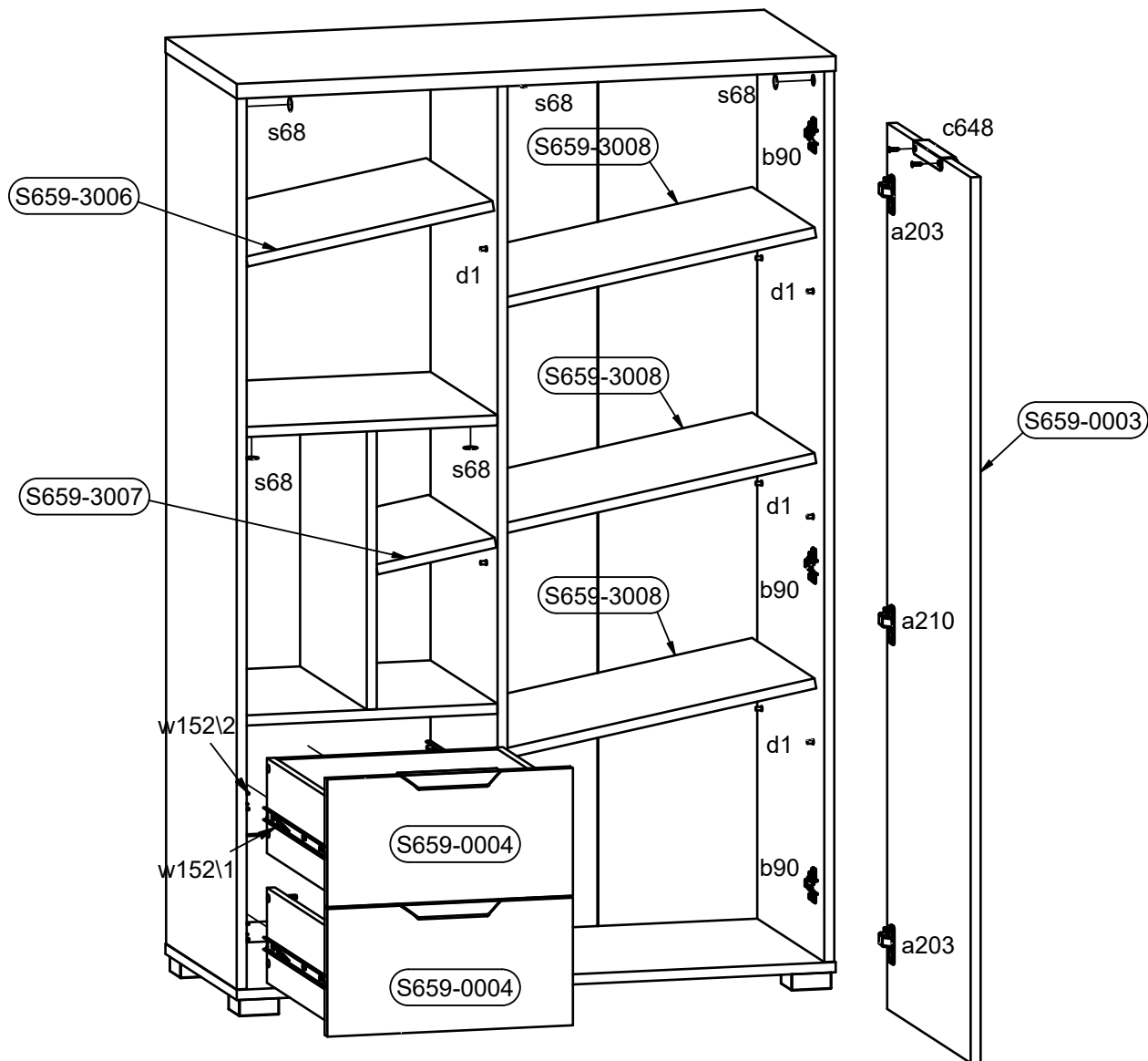
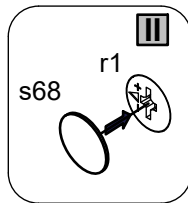
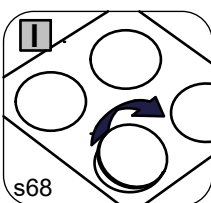
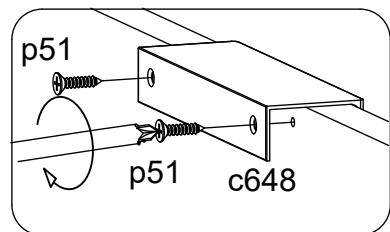
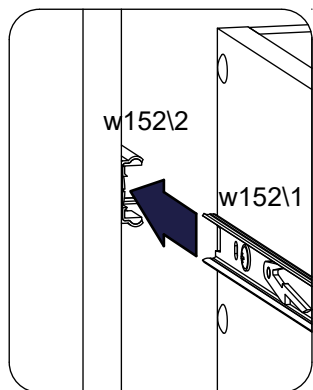
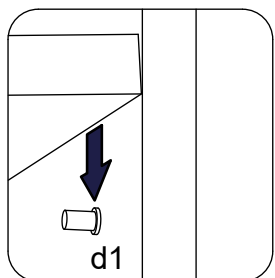
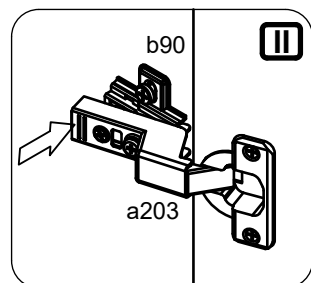
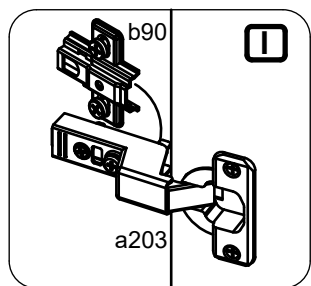


13
2x

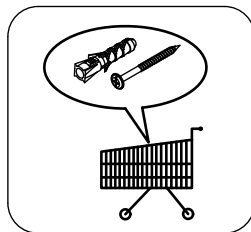
p1  Ø3.5x13 mm	12x	p51  3.5x15mm	4x	p55  2.8x16mm	8x	c648  L149/128mm	2x	w152\1  L-350mm	4x
---	-----	--	----	--	----	---	----	--	----



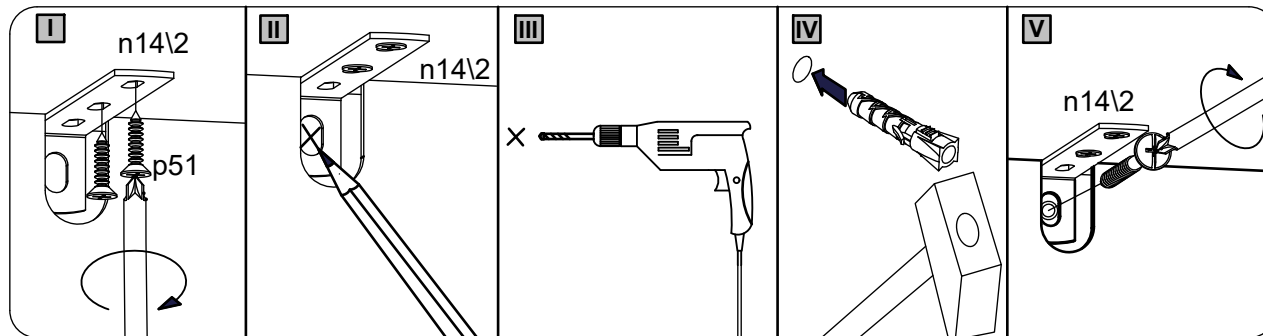
p51  3.5x15mm	2x	c648  L149/128mm	1x	s68  Ø20mm	9x
--	----	---	----	---	----



15



n14\2		1x
p51		2x



S659-2005

