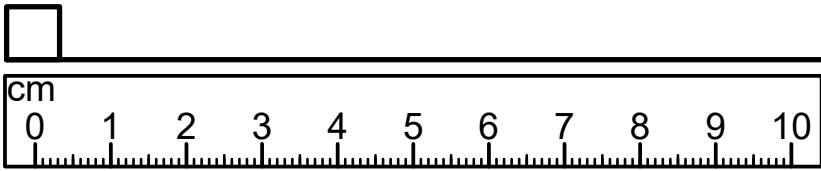
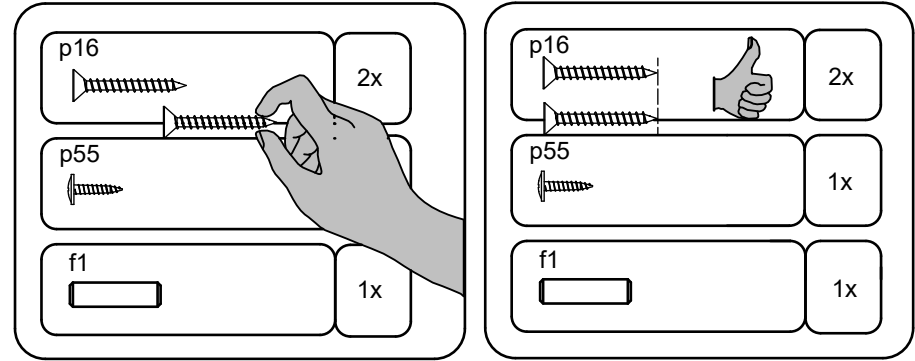
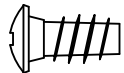
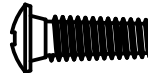
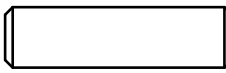
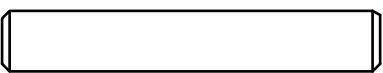
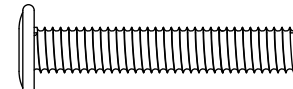

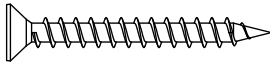
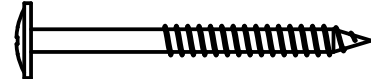
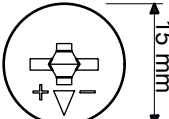
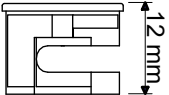
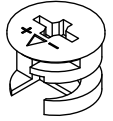



B1	B2	C1	C2	C3	C4	D
n64	-.1				2	1/2
S659-1024	-.2	2010	250	22	1	2/2
S659-1025	-.2	2010	250	22	1	2/2
S659-4007	-.1	956	420	22	1	1/2
S659-4008	-.1	956	480	15	1	1/2
S659-7001	-.1	420	100	22	1	1/2
S659-7002	-.1	420	100	22	1	1/2
S659-7004	-.1	756	250	18	1	1/2
ZZ1-757	-	1880	25	30	2	2/2



1:1



<p>e2</p>  <p>Ø6.3x13 mm</p>	<p>6x</p>	<p>e7</p>  <p>Ø6.3x16 mm</p>	<p>16x</p>	<p>f1</p>  <p>Ø8x30 mm</p>	<p>12x</p>
<p>f6</p>  <p>Ø8x50mm</p>	<p>4x</p>	<p>j115</p>  <p>M6x35</p>	<p>4x</p>	<p>j132</p>  <p>M6x65mm</p>	<p>4x</p>
<p>p6</p>  <p>Ø4x35 mm</p>	<p>6x</p>	<p>p11</p>  <p>Ø4x45 mm</p>	<p>12x</p>	<p>r1</p>  <p>15 mm</p>  <p>12 mm</p>  <p>15x12mm</p>	<p>8x</p>
<p>r10</p> 	<p>4x</p>				

~~1:1~~

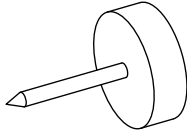
j10



m6

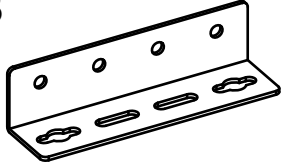
4x

k1



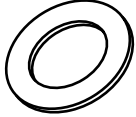
4x

n63



2x

o40



Ø6/12x1,4mm

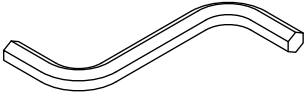
4x

r43



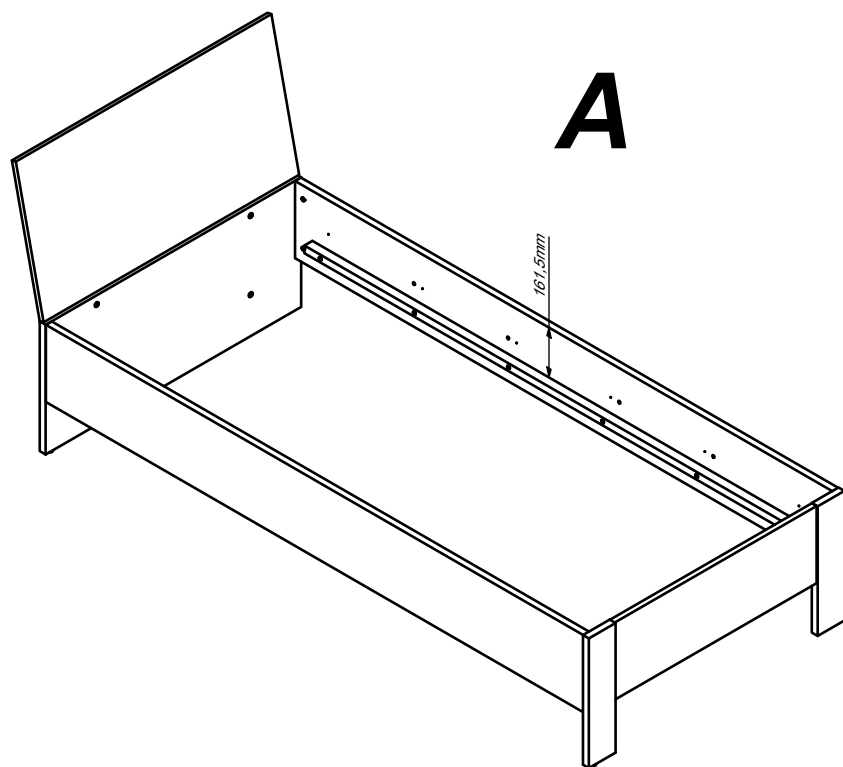
4x

z1

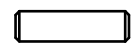

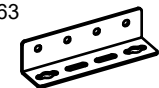



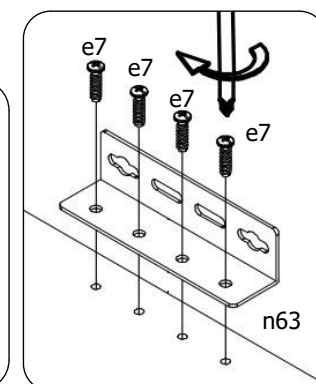
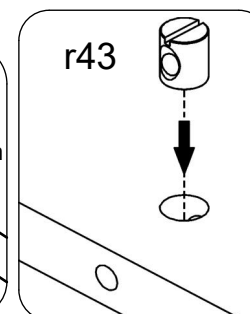
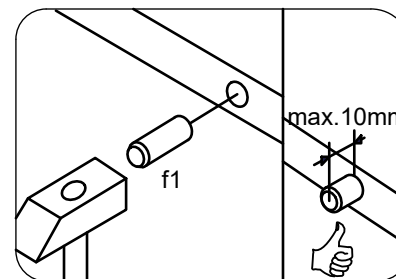
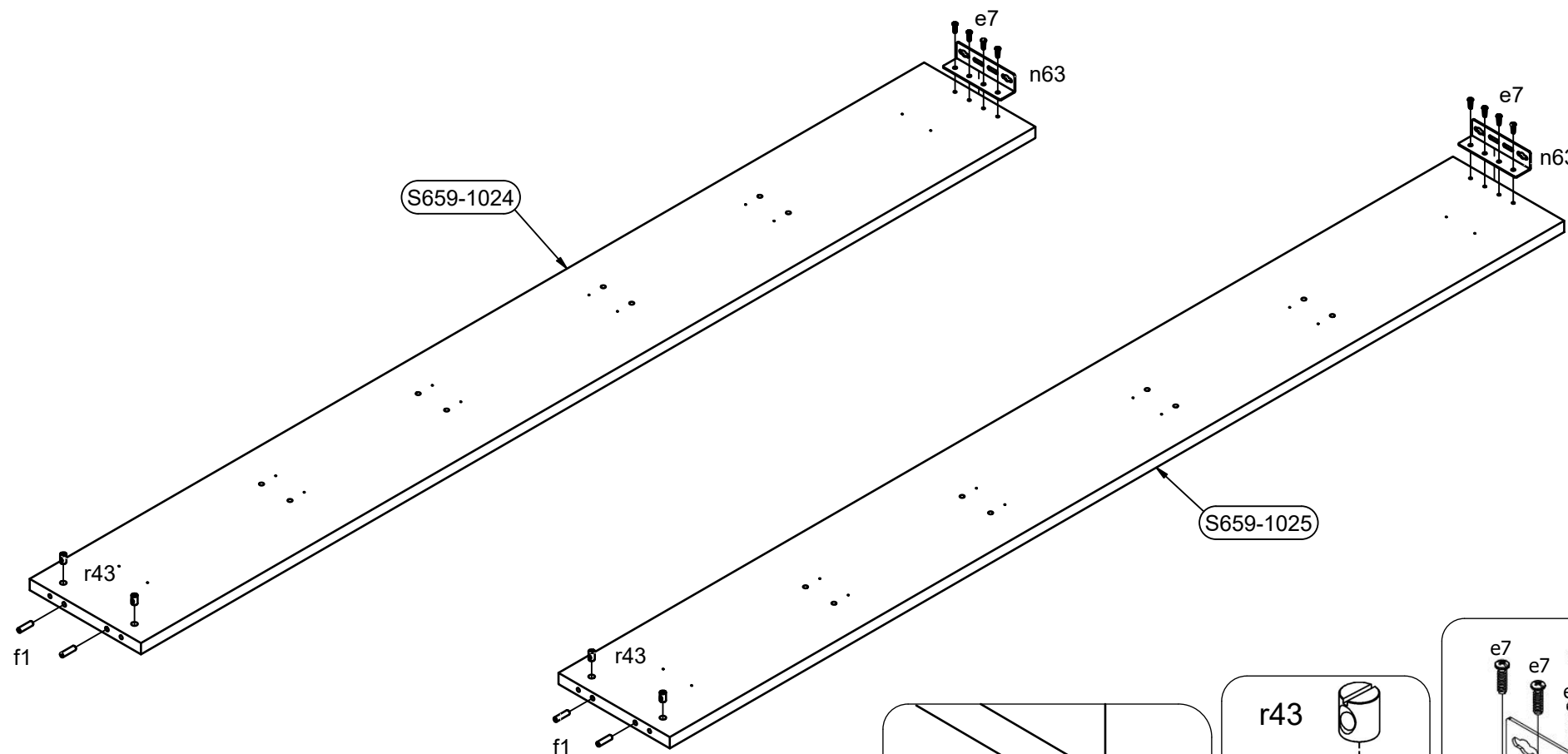
1x

4 mm


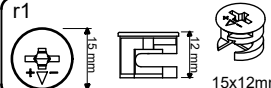



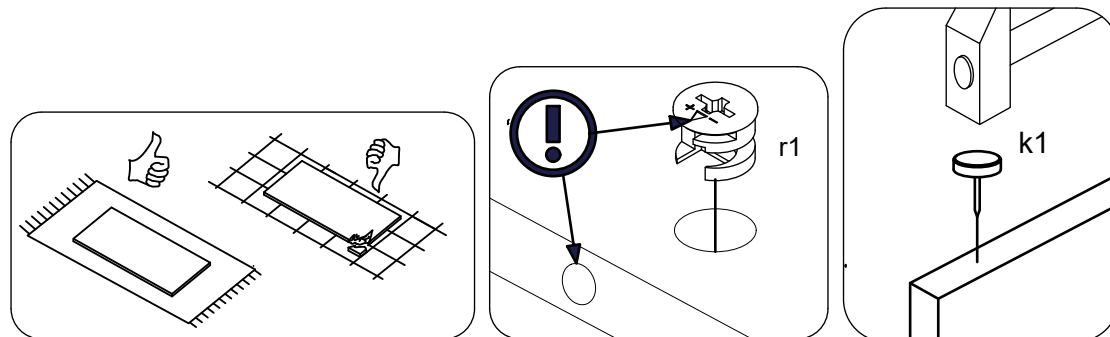
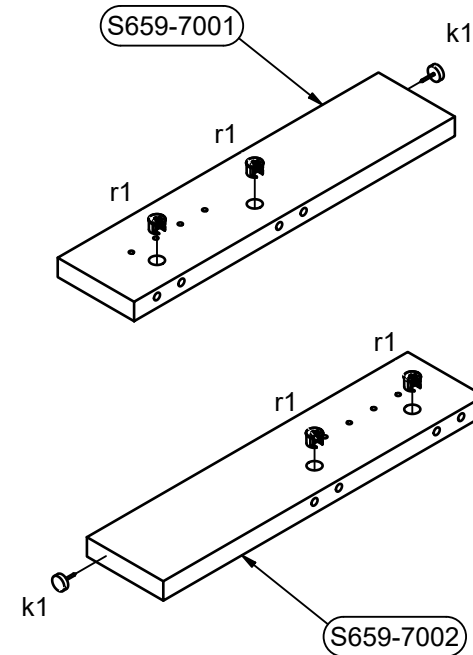
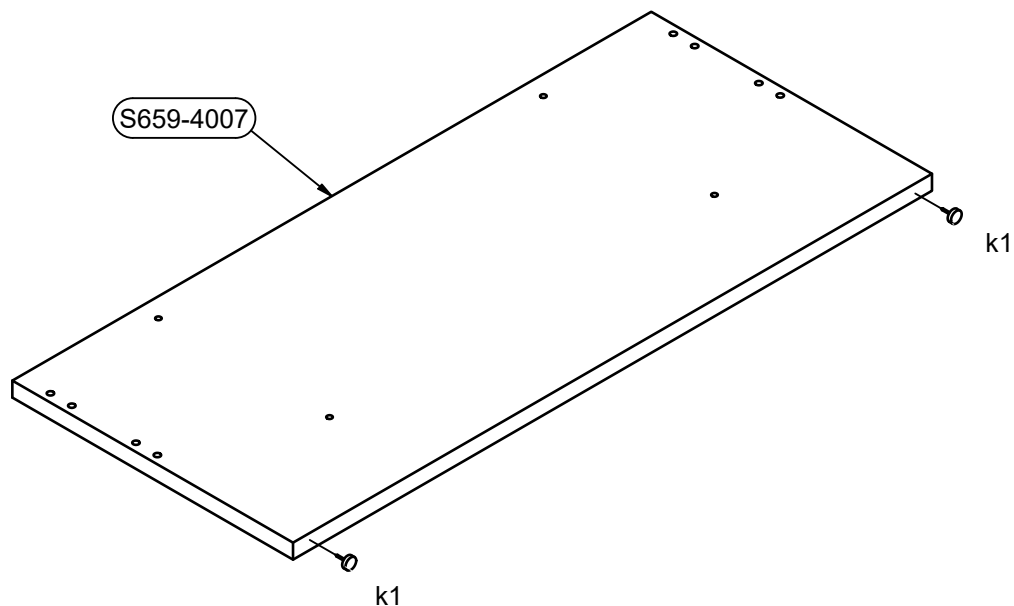
1

f1  30mm	4x	r43 	4x	n63 	2x	e7  Ø6.3x16 mm	8x
---	----	--	----	---	----	---	----

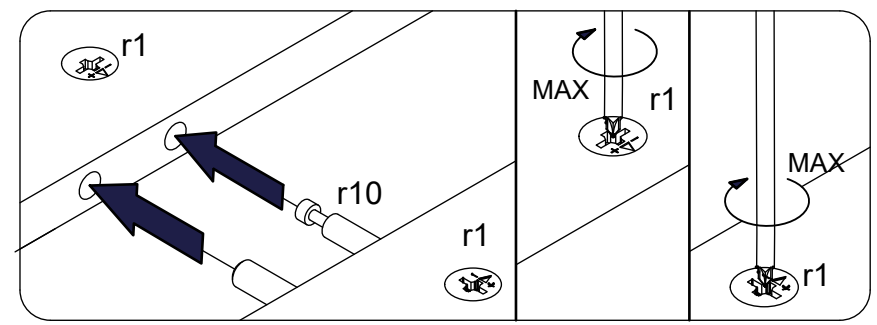
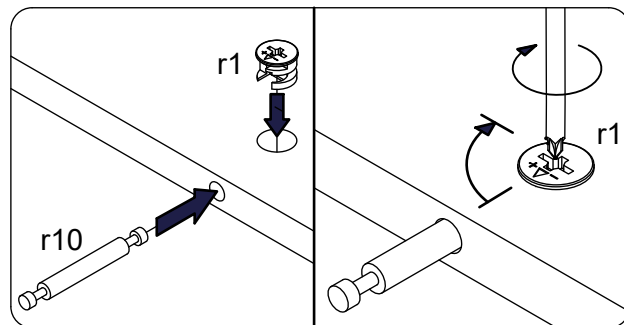
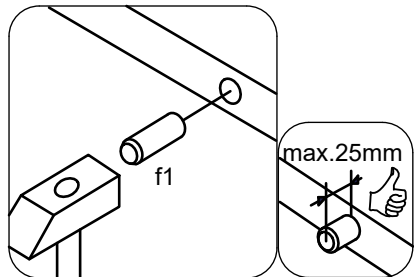
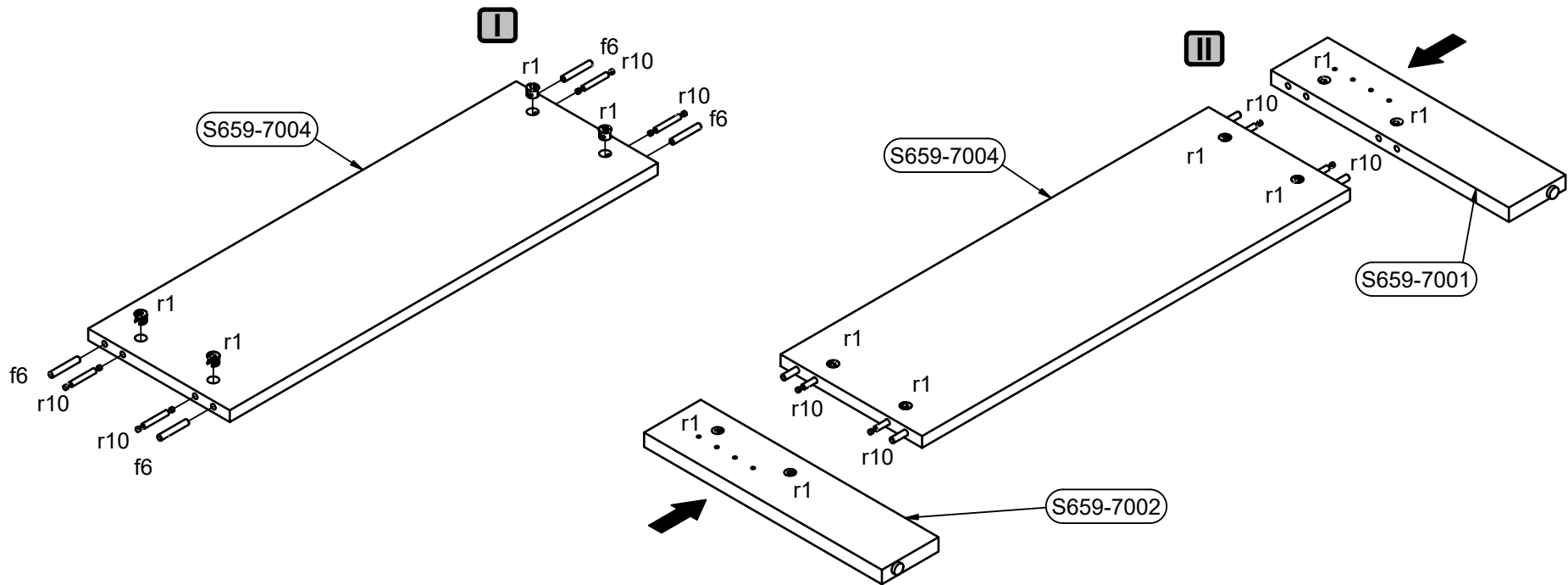
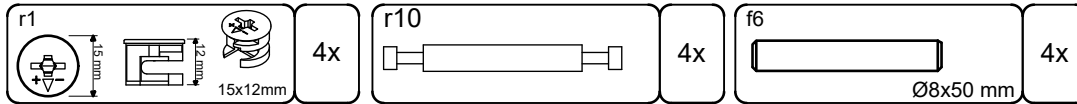


2

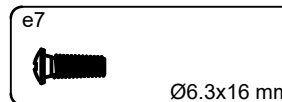
k1 	4x	r1 	4x 
---	----	---	---



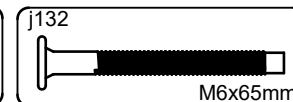
3



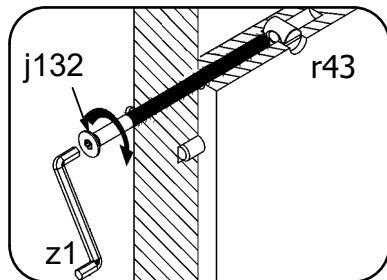
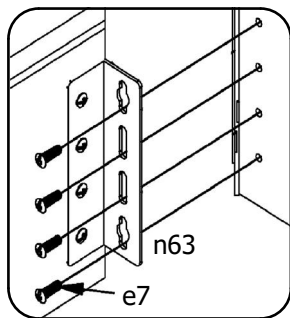
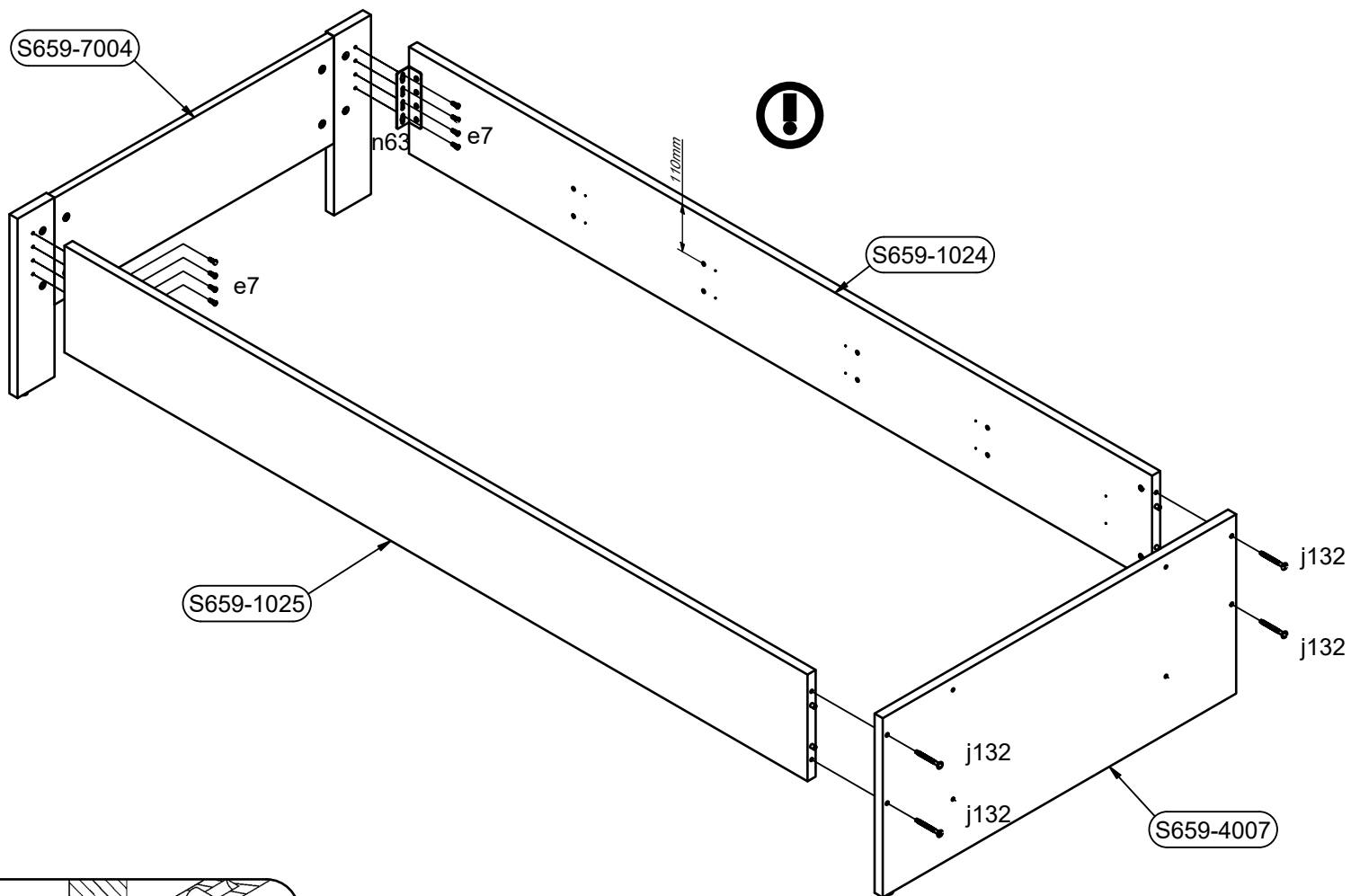
4






8x

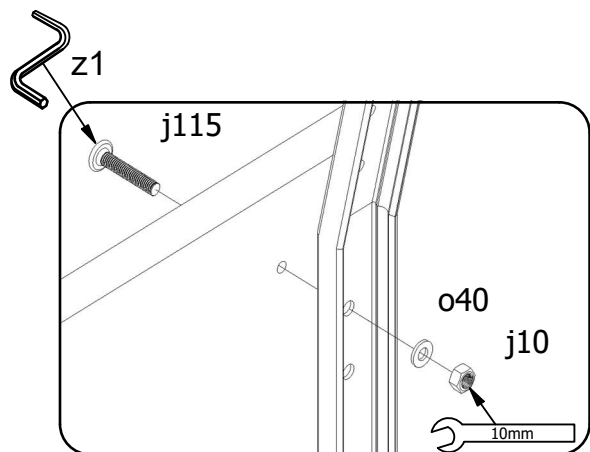
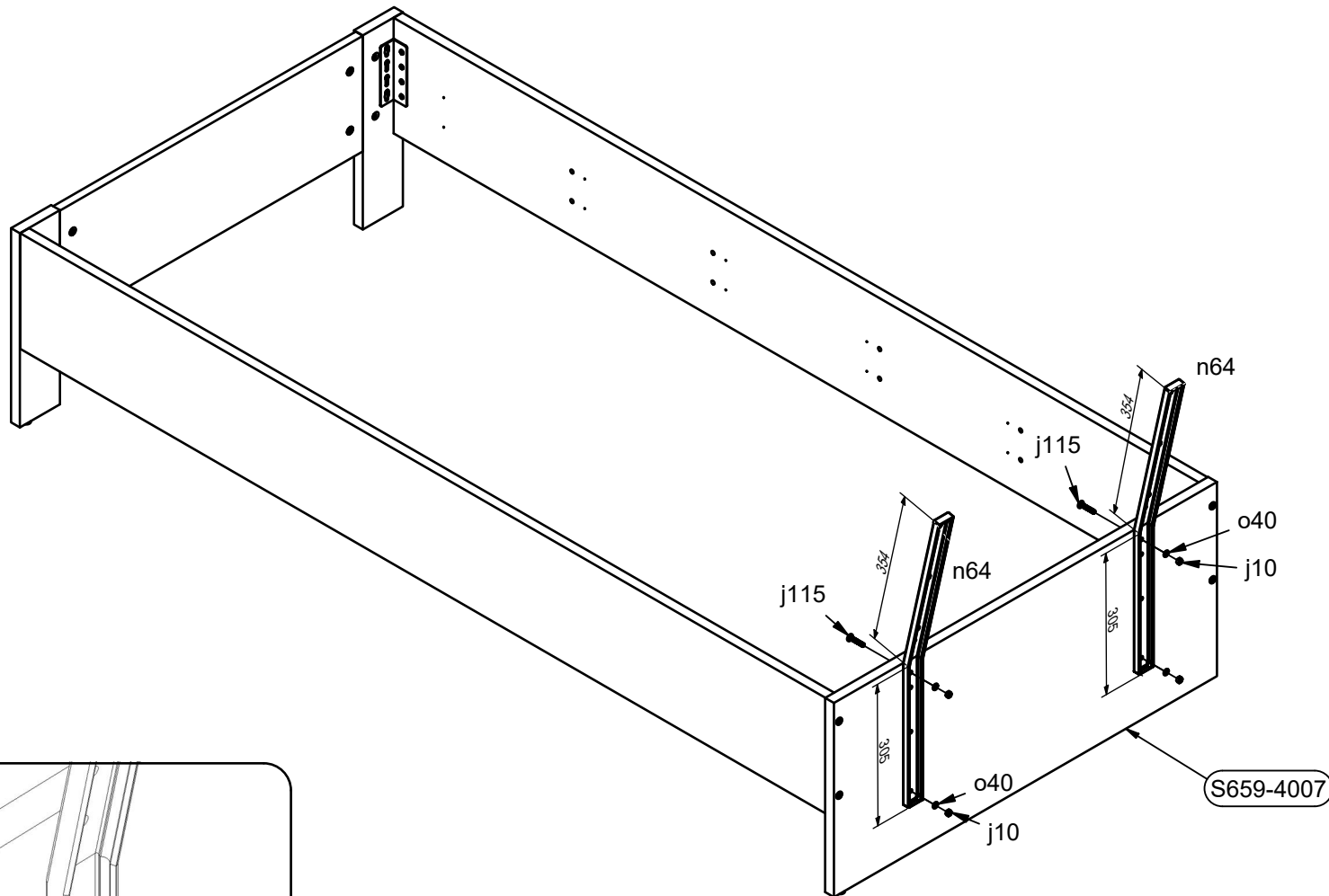



4x

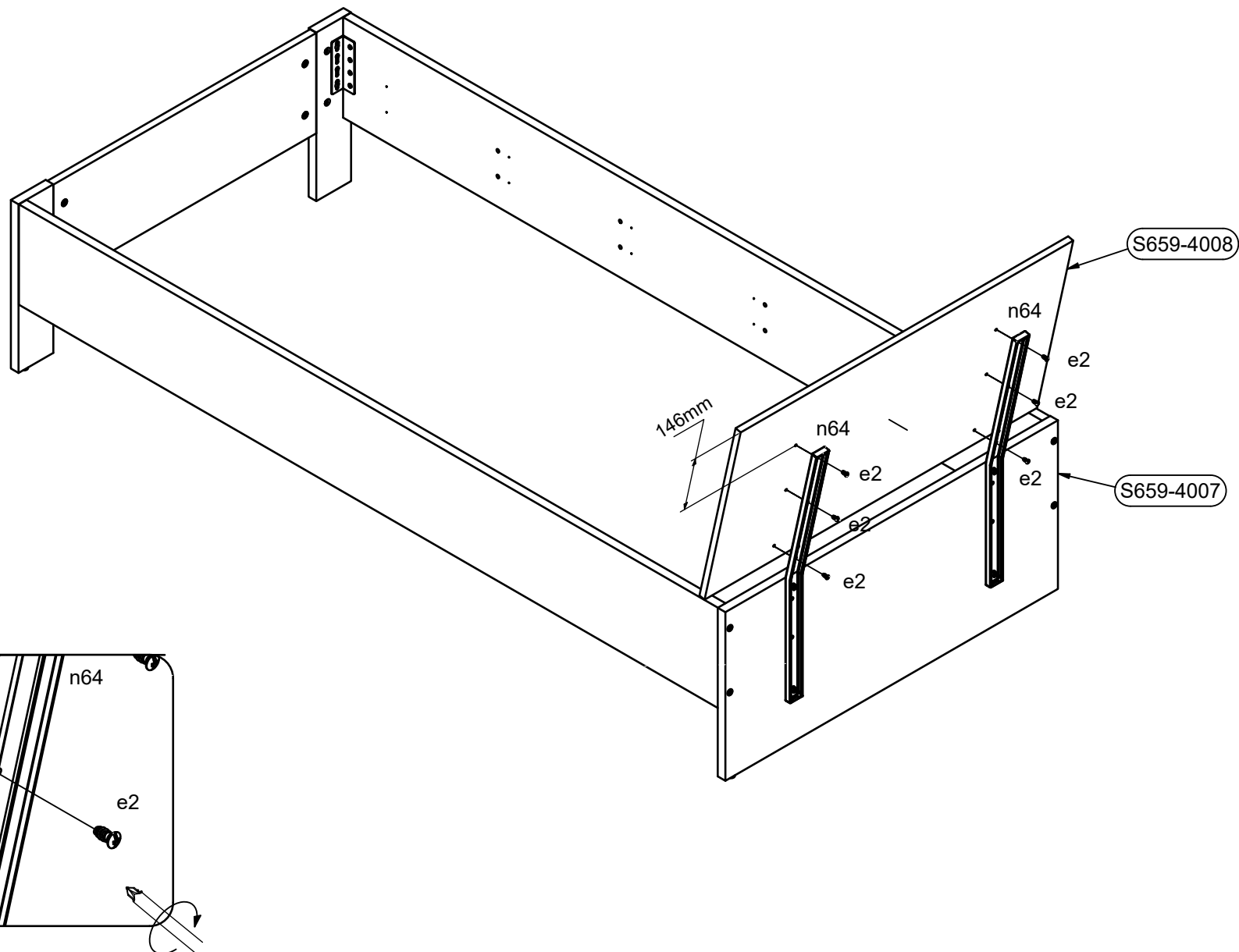


5

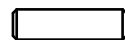
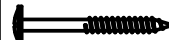
o40  ø6/12x1,4mm 4x	j10  m6 4x	j115  M6x35 4x
---	--	--

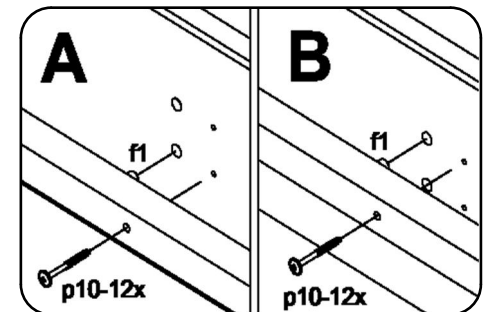
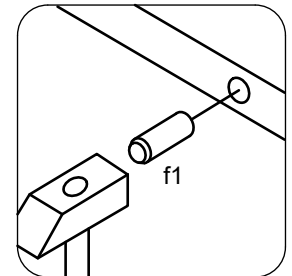
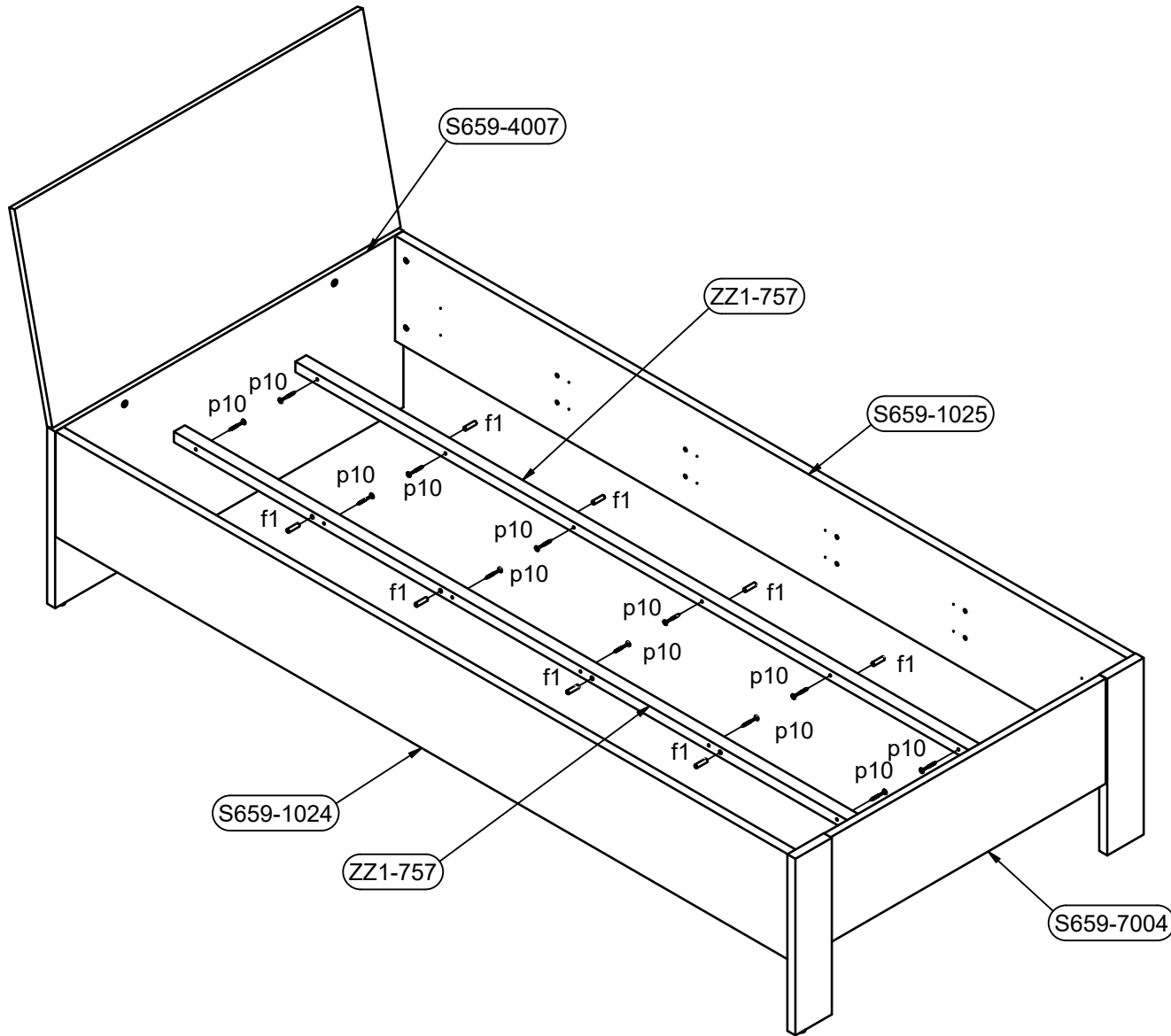


e2		6x
Ø6.3x13 mm		



7

f1  30mm	8x	p10  Ø4x40 mm	10x
---	----	--	-----



8

