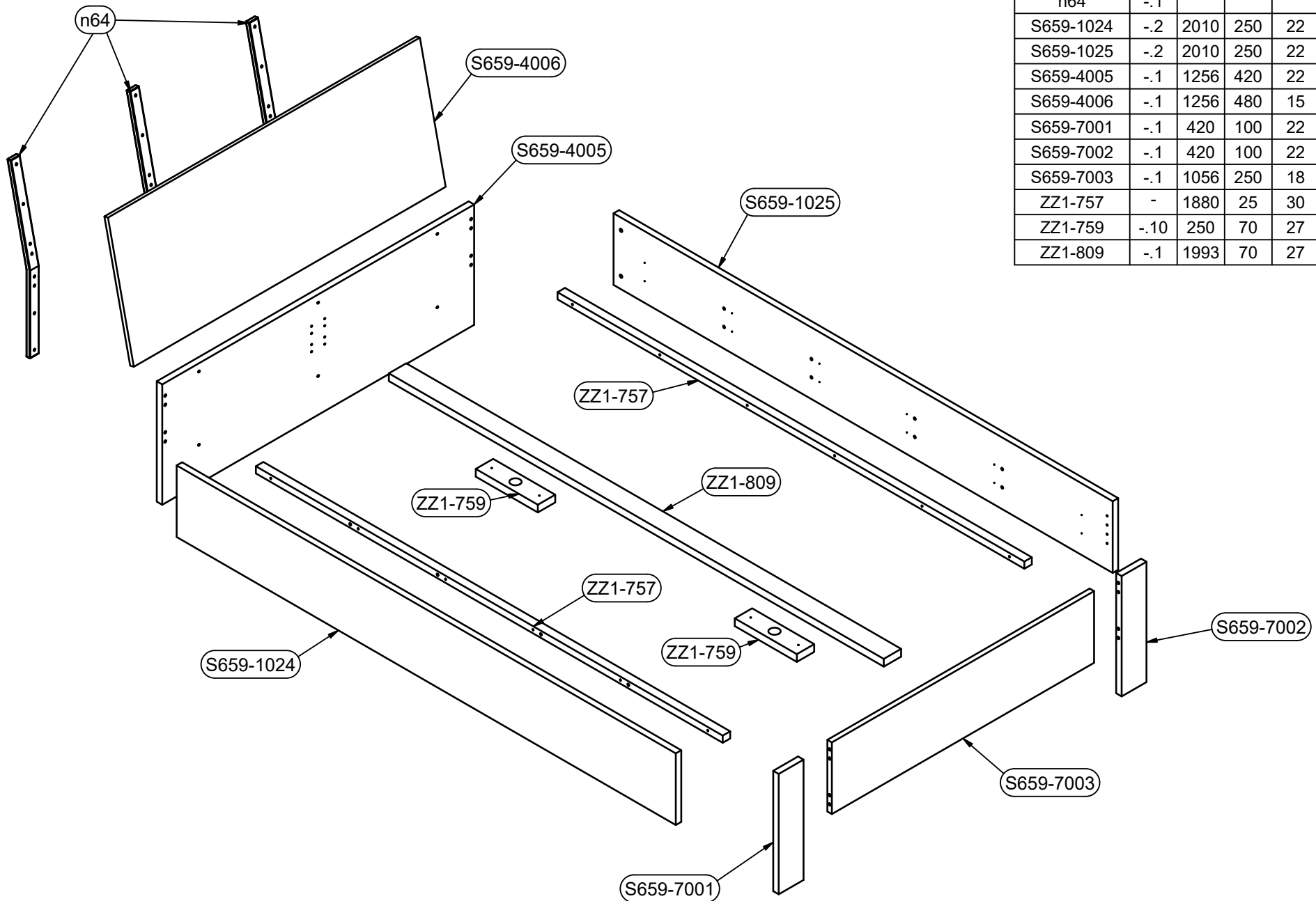
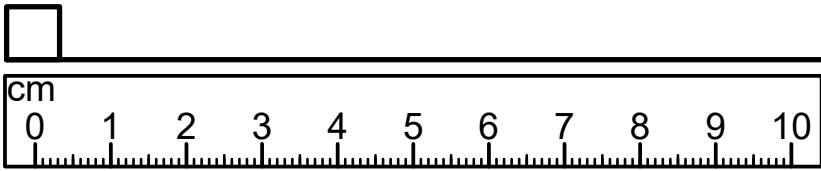


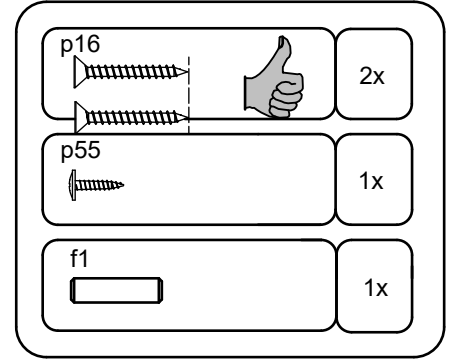
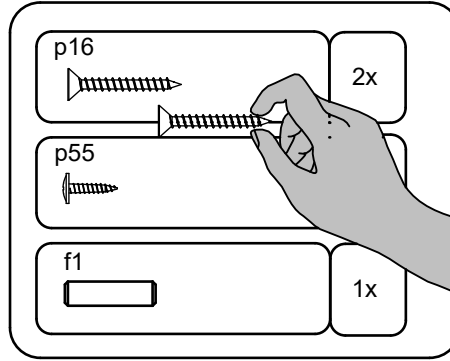
Max
200kg

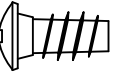


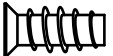
B1	B2	C1	C2	C3	C4	D
n64	-.1				3	1/2
S659-1024	-.2	2010	250	22	1	1/2
S659-1025	-.2	2010	250	22	1	1/2
S659-4005	-.1	1256	420	22	1	2/2
S659-4006	-.1	1256	480	15	1	2/2
S659-7001	-.1	420	100	22	1	1/2
S659-7002	-.1	420	100	22	1	1/2
S659-7003	-.1	1056	250	18	1	2/2
ZZ1-757	-	1880	25	30	2	1/2
ZZ1-759	-.10	250	70	27	2	1/2
ZZ1-809	-.1	1993	70	27	1	1/2





1:1




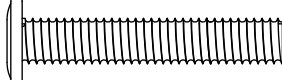
e2

 Ø6.3x13 mm
 9x


e3

 6x13mm
 8x

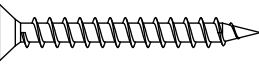
e7

 Ø6.3x16 mm
 16x

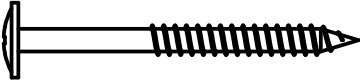
f1

 Ø8x30 mm
 12x


f6

 Ø8x50mm
 4x

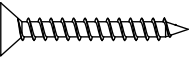
j115

 M6x35
 6x

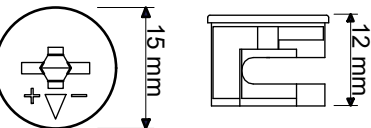
j132

 M6x65mm
 4x


p6

 Ø4x35 mm
 6x

p11

 Ø4x45 mm
 12x

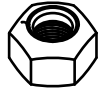
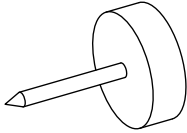
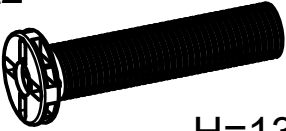
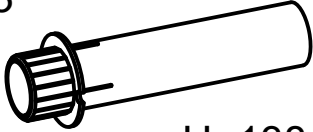
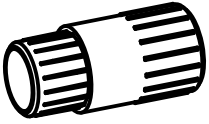
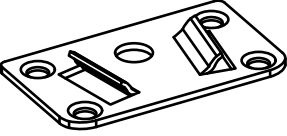
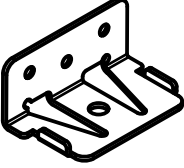
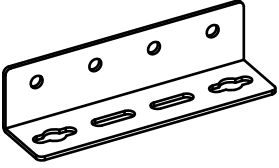
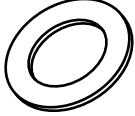
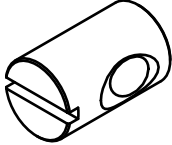
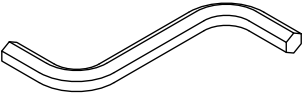
p12

 Ø4x50 mm
 4x

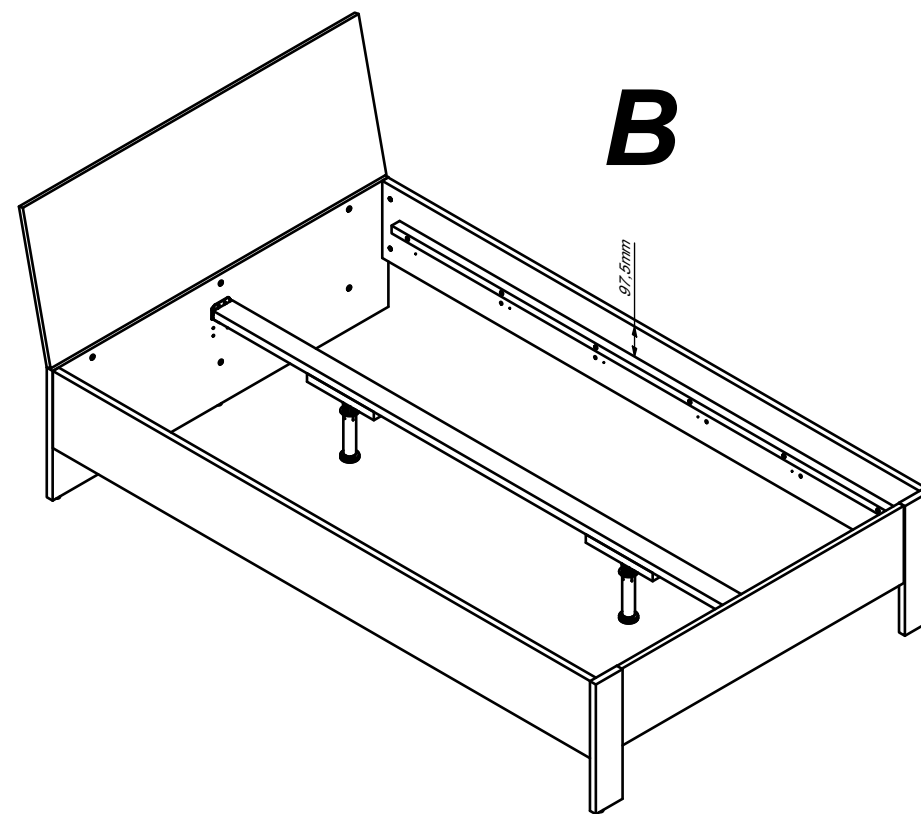
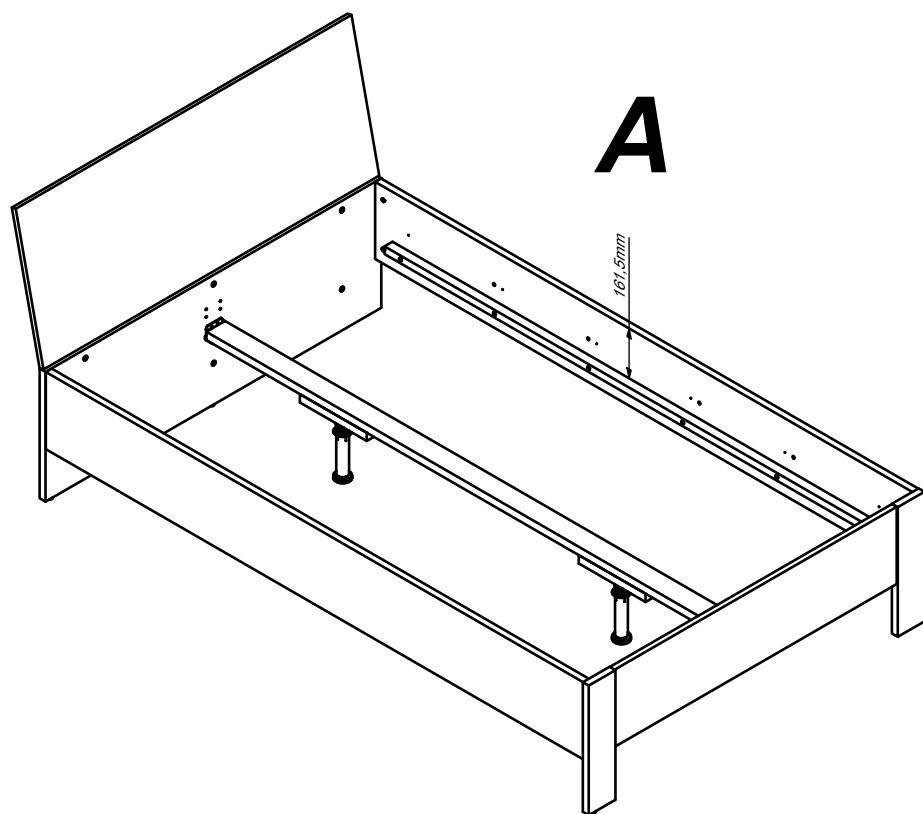
p16

 Ø3.5x25 mm
 6x

r1

 15x12mm
 8x

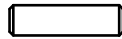

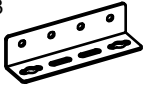

r10

 4x

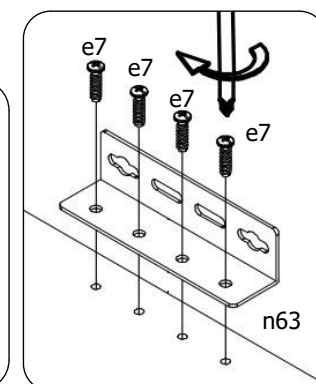
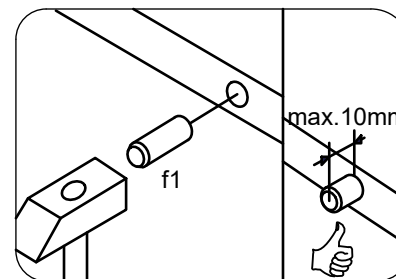
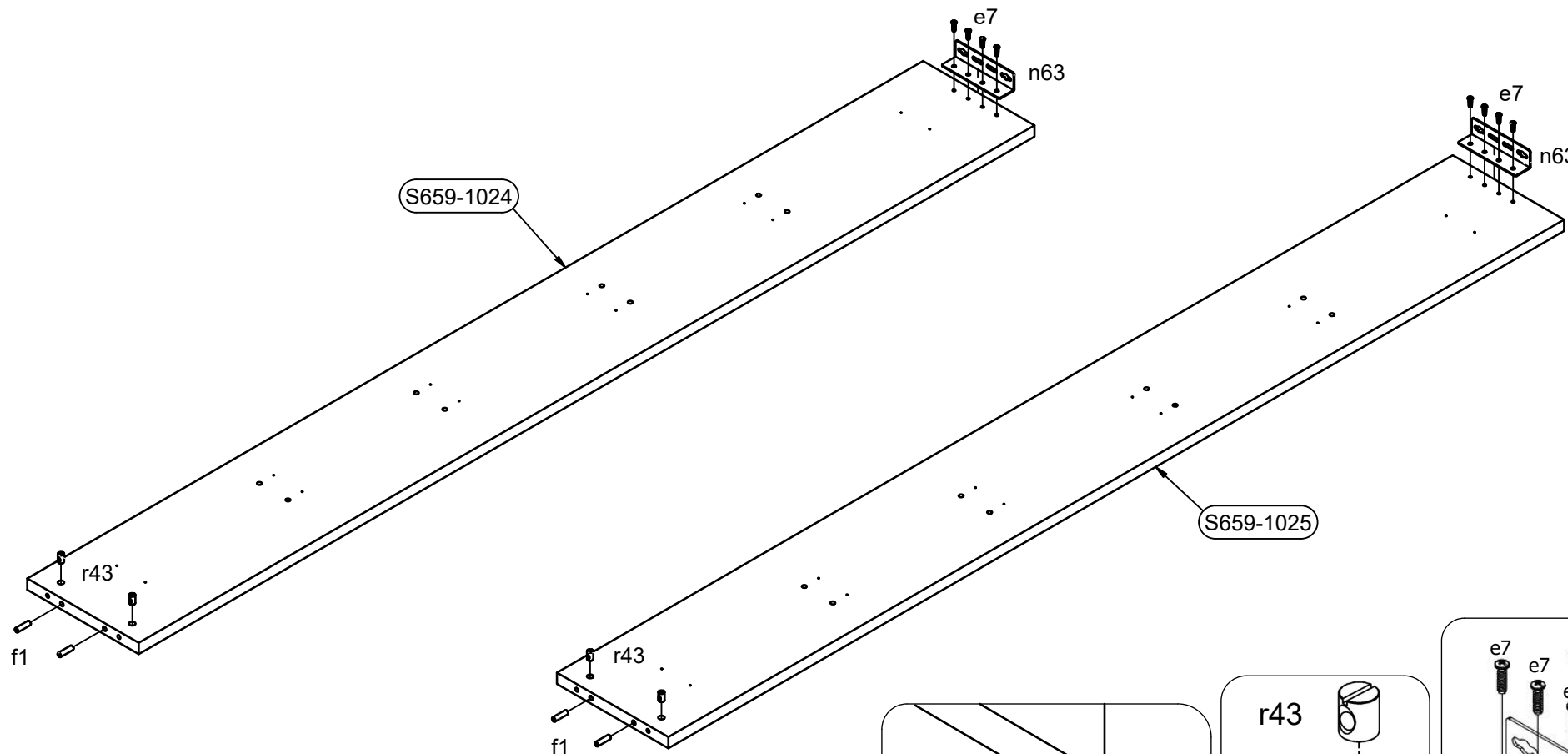
~~1:1~~

<p>j10</p>  <p>m6</p>	<p>6x</p>	<p>k1</p> 	<p>5x</p>
<p>k24\2</p>  <p>H=134/10 mm</p>	<p>2x</p>	<p>k24\3</p>  <p>H=138/24 mm</p>	<p>2x</p>
<p>k24\4</p>  <p>50 mm</p>	<p>2x</p>	<p>n34\1</p> 	<p>2x</p>
<p>n34\2</p> 	<p>2x</p>	<p>n63</p> 	<p>2x</p>
<p>o40</p>  <p>Ø6/12x1,4mm</p>	<p>6x</p>	<p>r43</p> 	<p>4x</p>
<p>z1</p>  <p>4 mm</p>	<p>1x</p>		


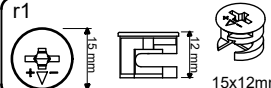



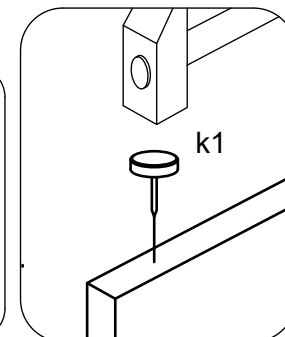
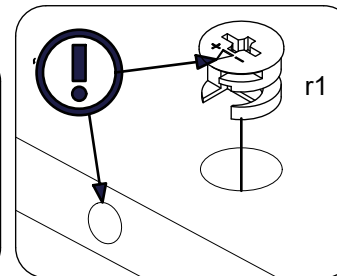
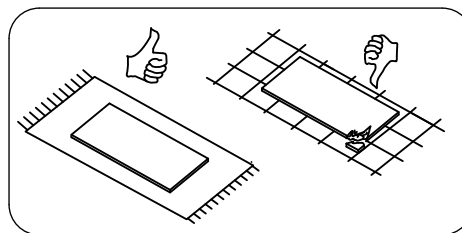
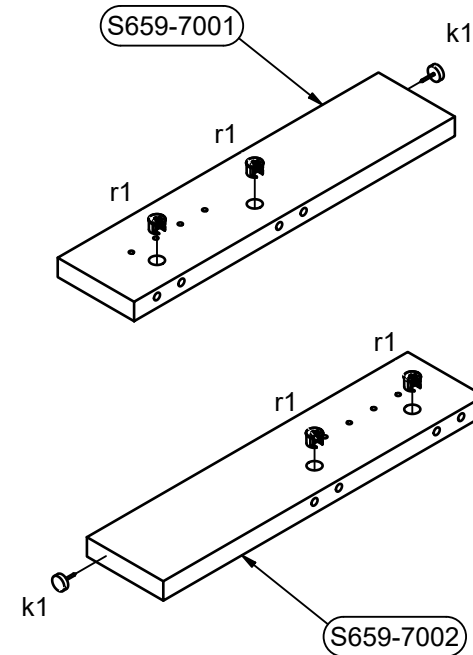
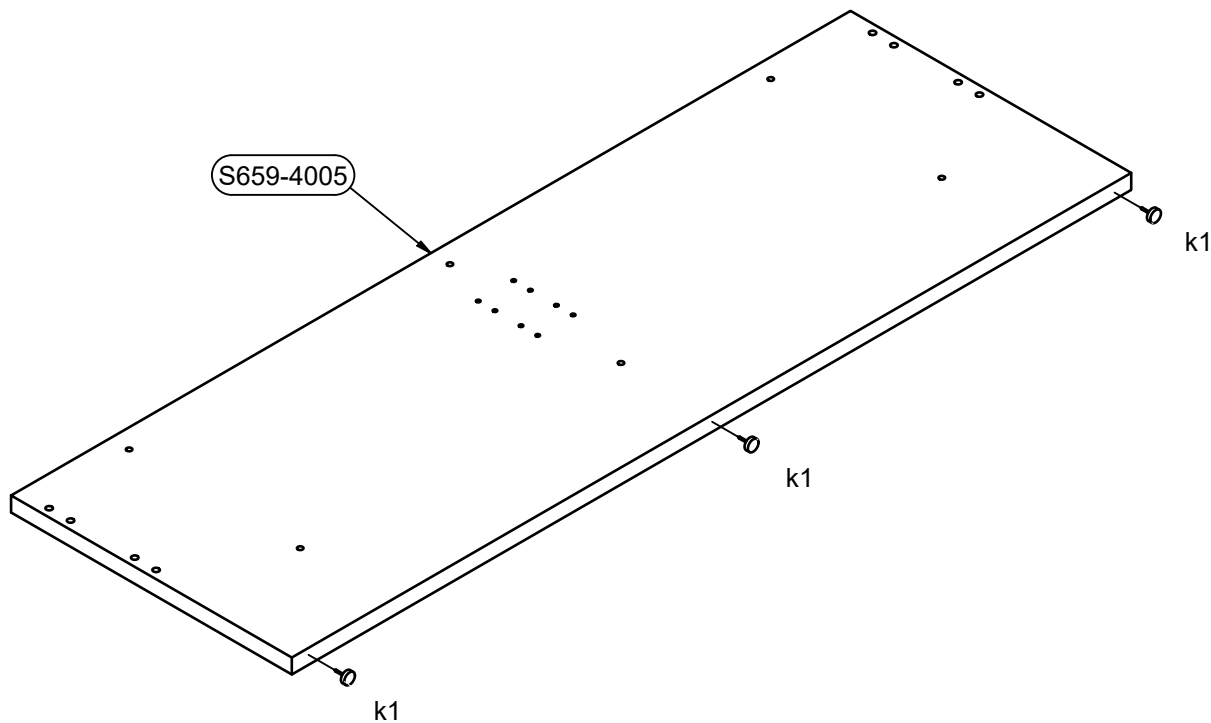
1

f1  30mm	4x	r43 	4x	n63 	2x	e7  Ø6.3x16 mm	8x
---	----	--	----	---	----	---	----

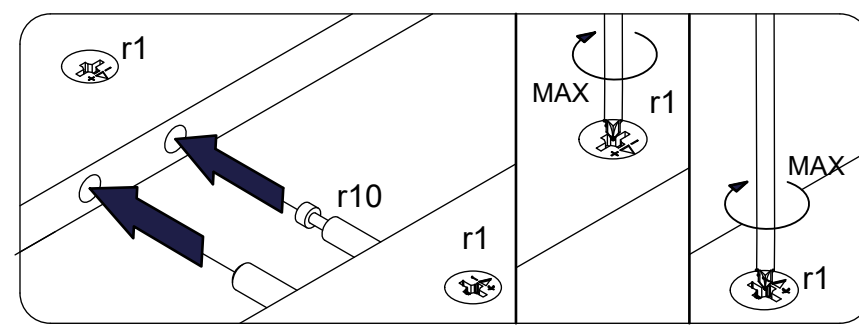
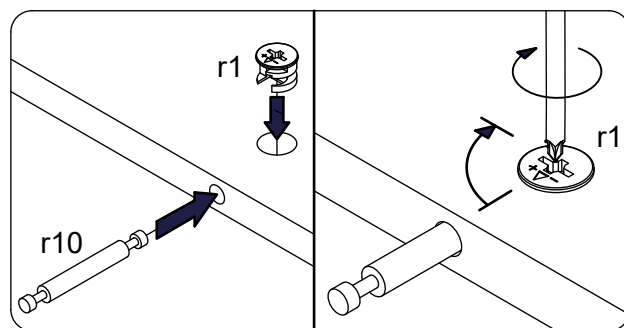
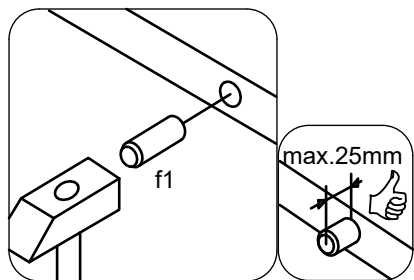
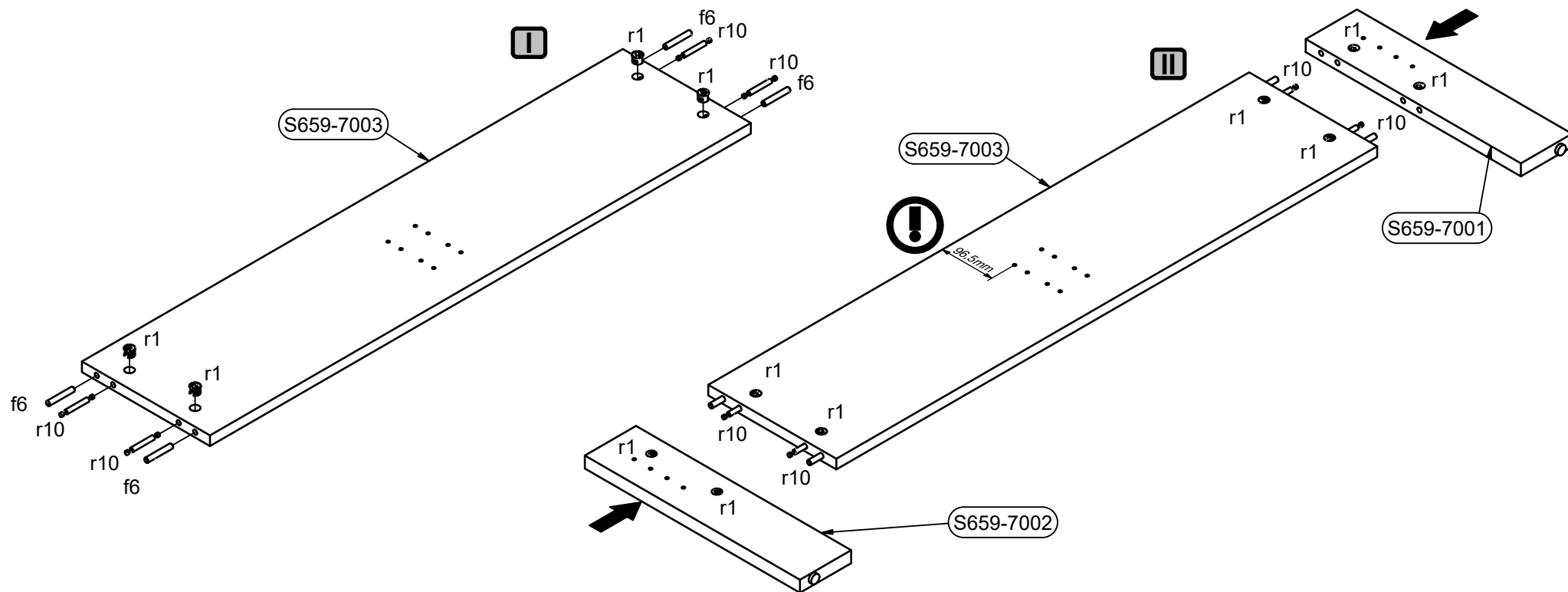
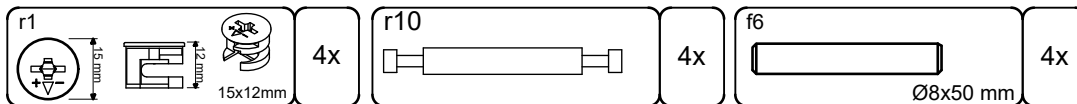


2

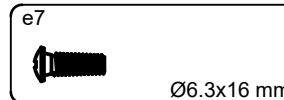
 <p>k1</p>	<p>5x</p>	 <p>r1</p>	 <p>4x</p>
---	-----------	---	---



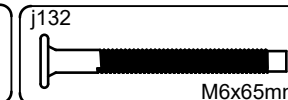
3



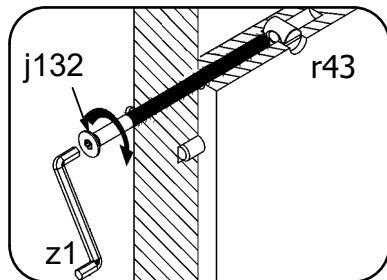
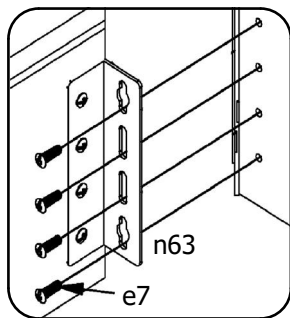
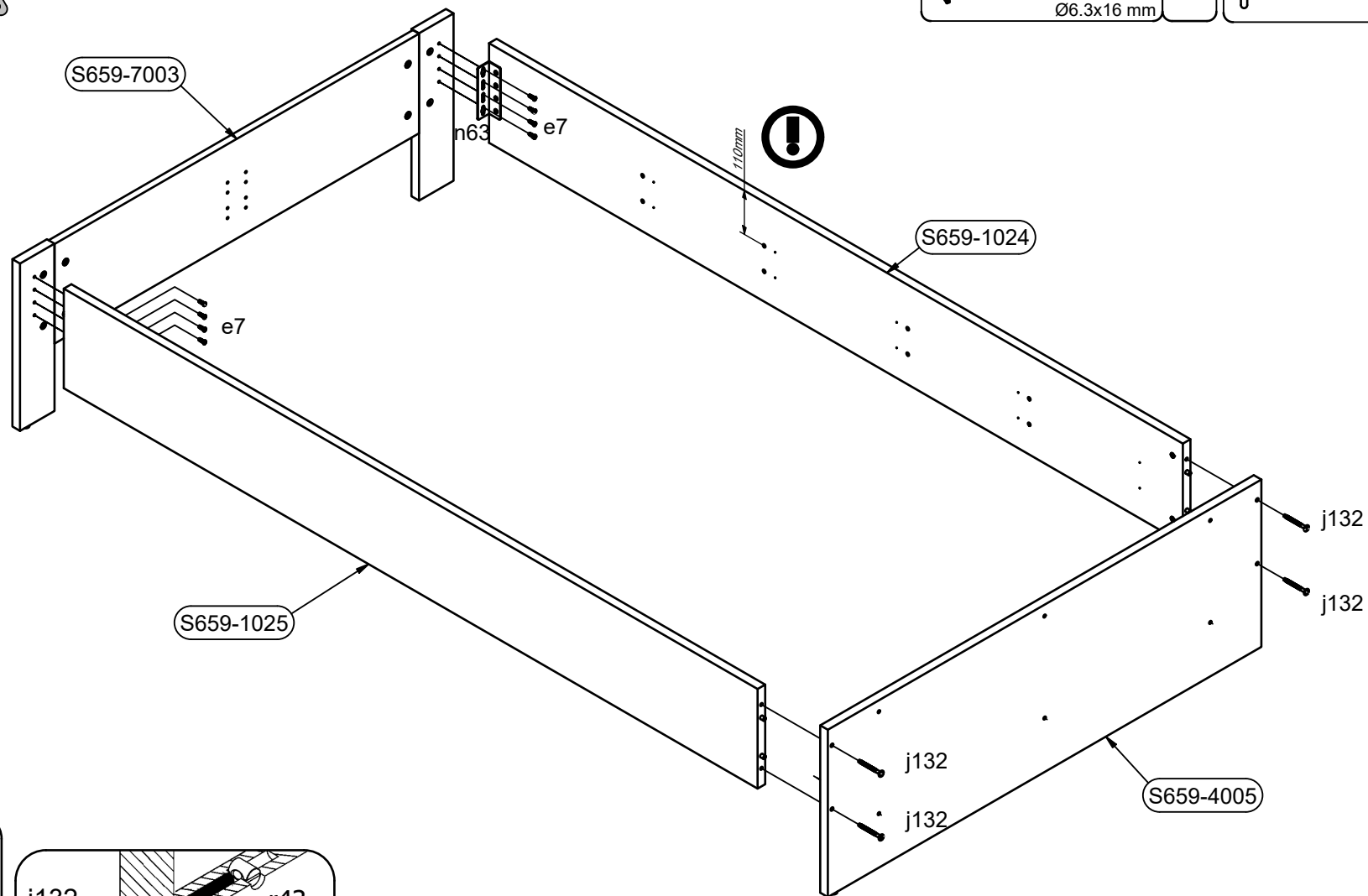
4






8x

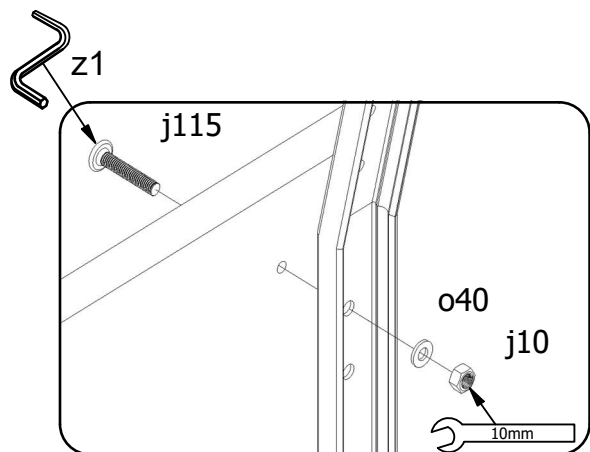
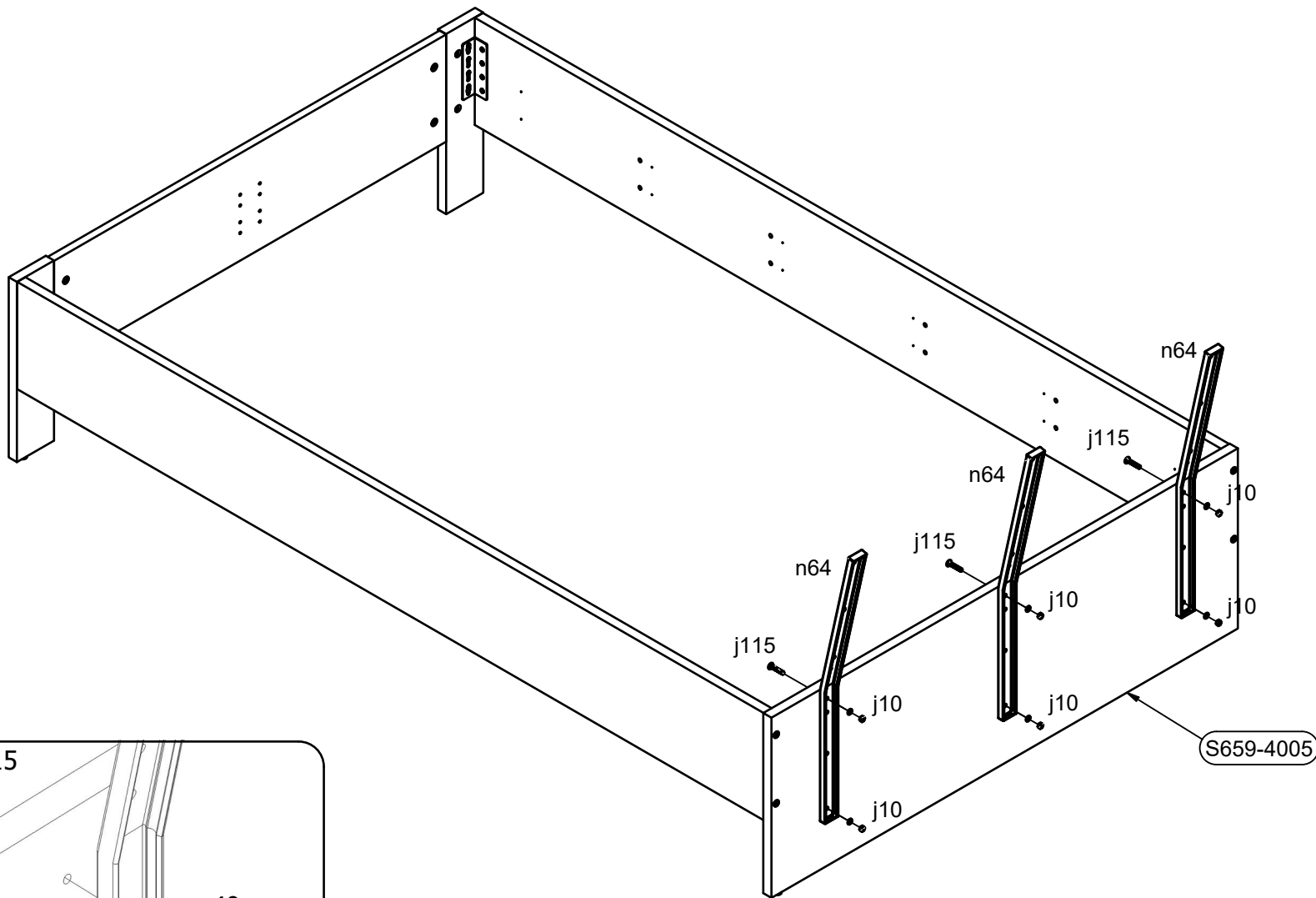



4x

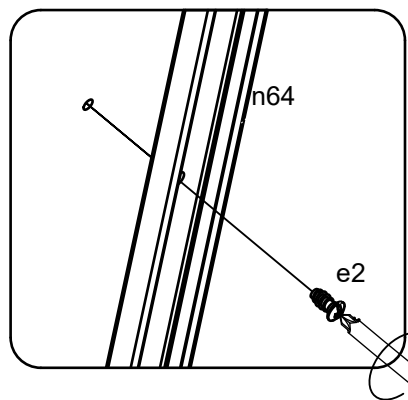
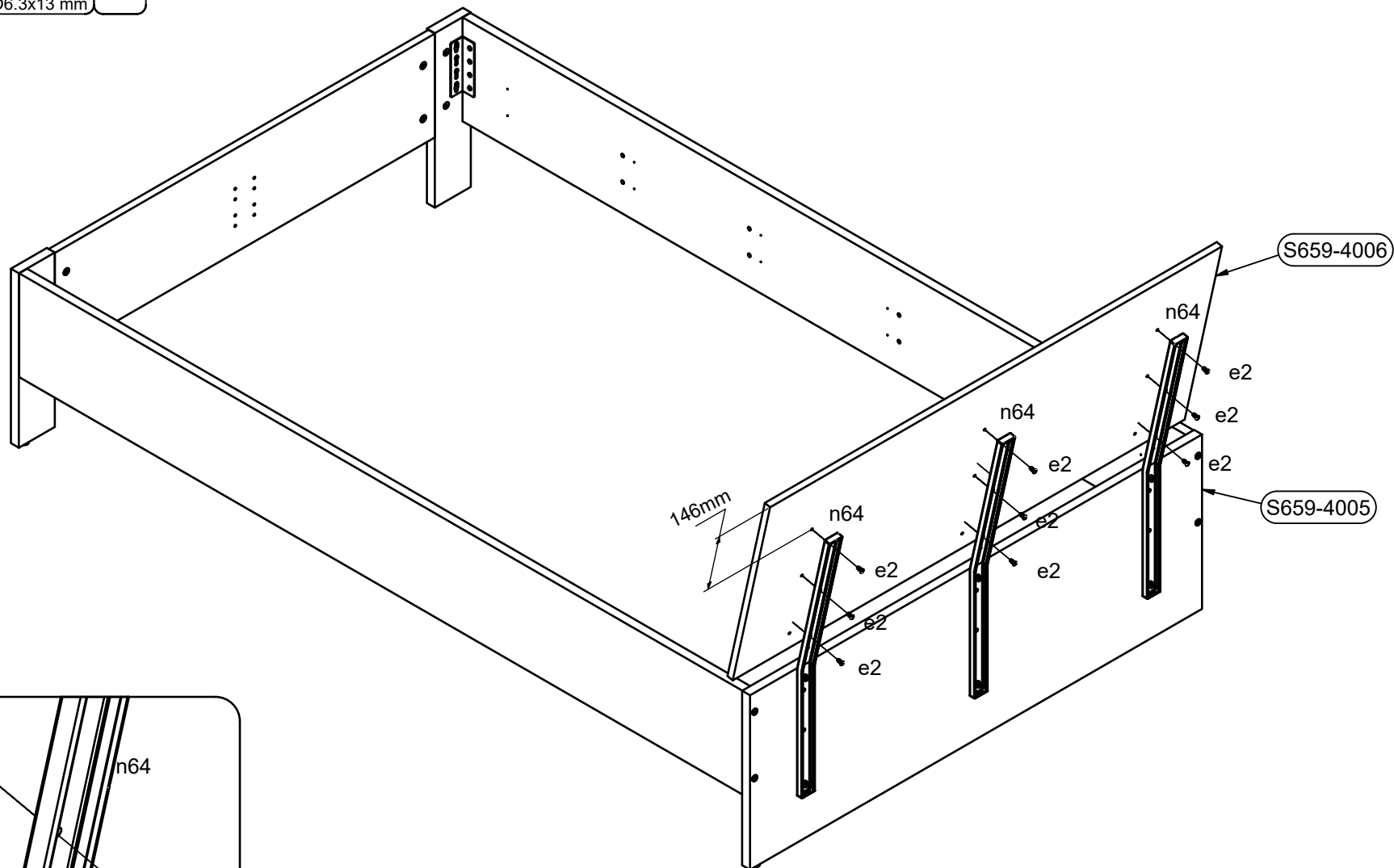


5


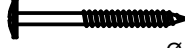


o40  ø6/12x1,4mm	6x	j10  m6	6x	j115  M6x35	6x
---	----	--	----	--	----

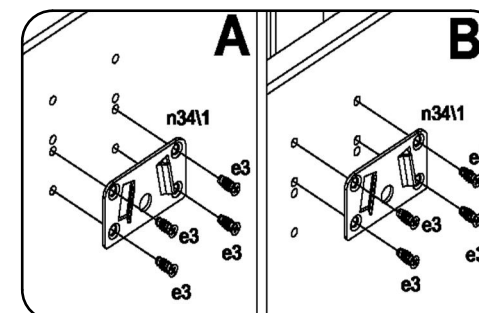
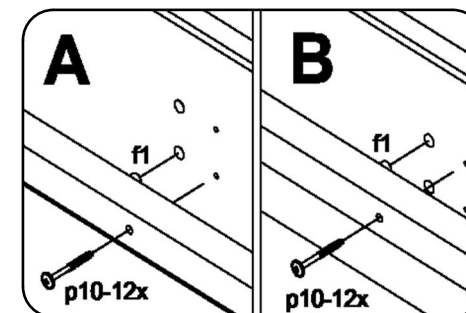
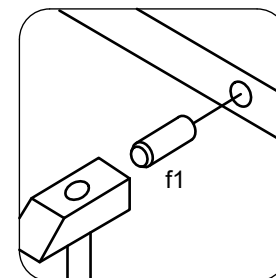
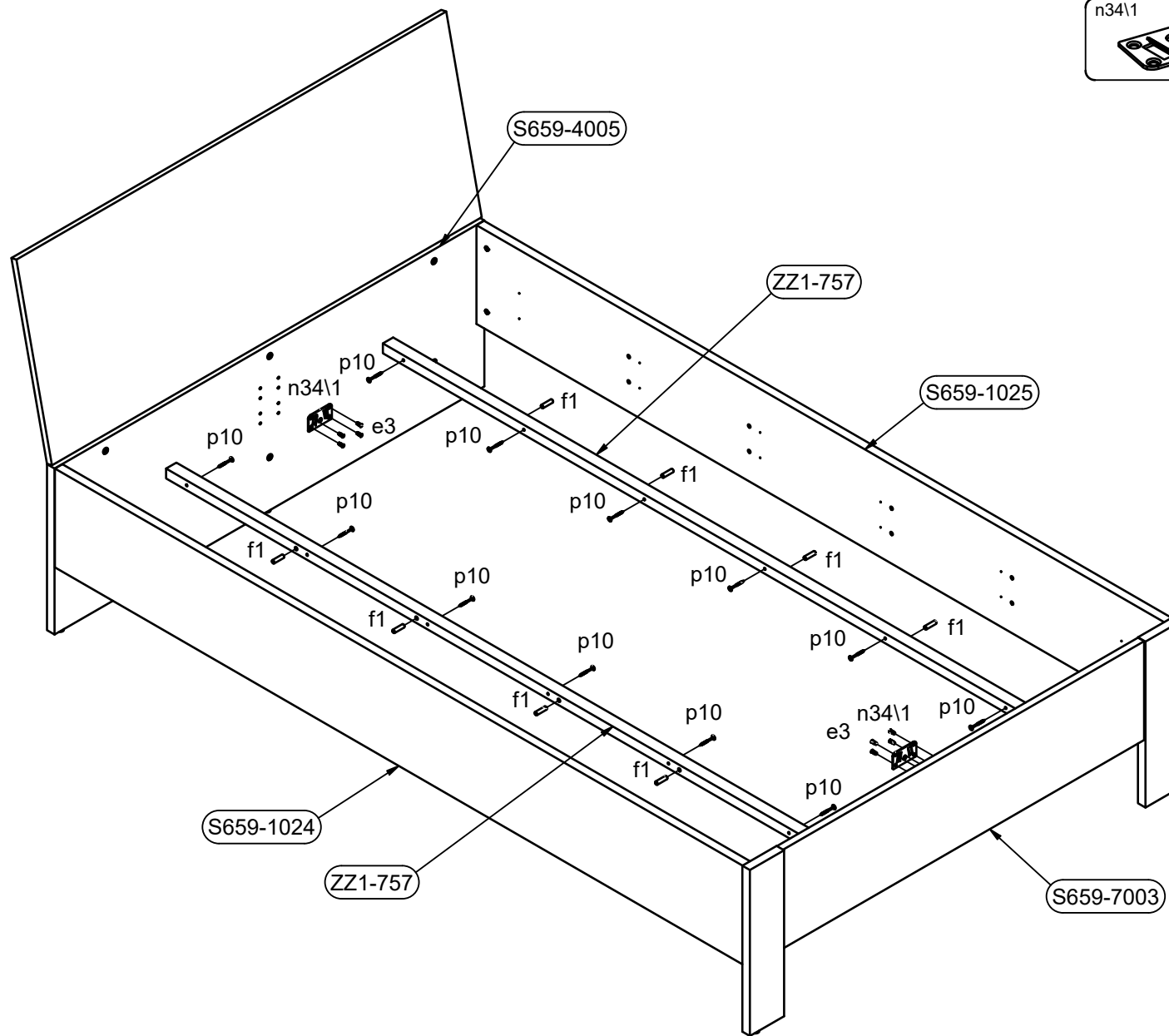


e2		9x
Ø6.3x13 mm		



7

f1  30mm	8x	p11  Ø4x45 mm	12x
n34\1 	2x	e3  Ø6x13 mm	8x



8

n34\2 2x

p16 4x

Ø3.5x25 mm

k24\2 2x

H=134/10 mm

k24\3 2x

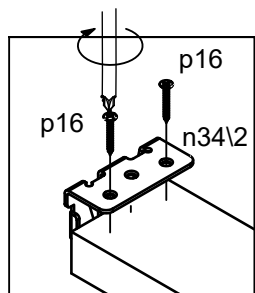
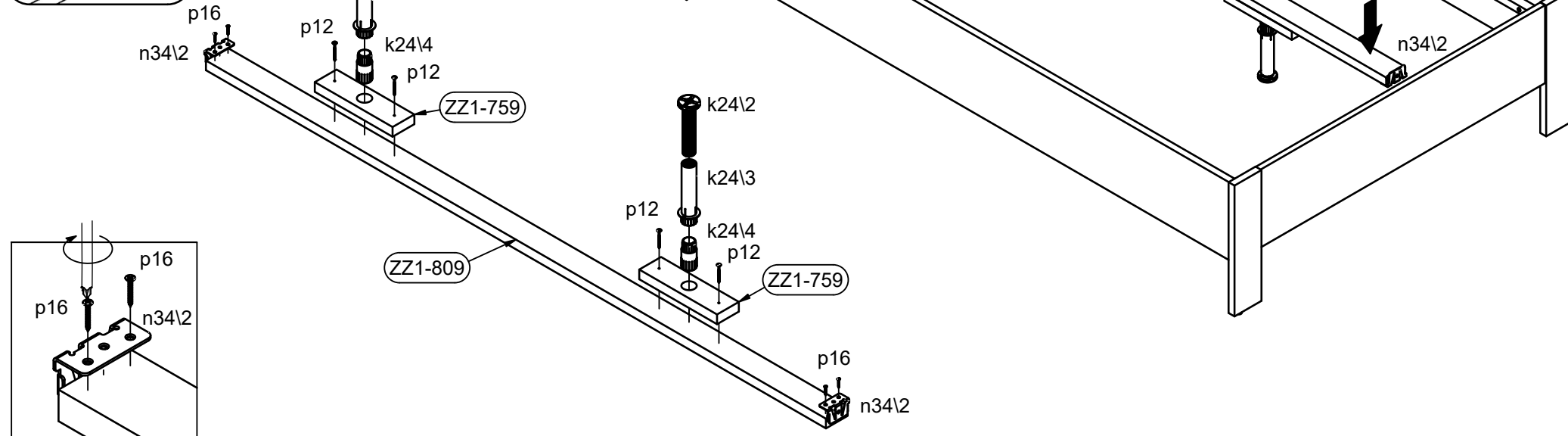
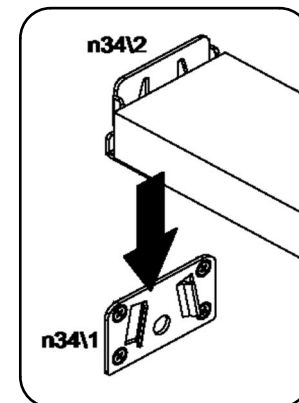
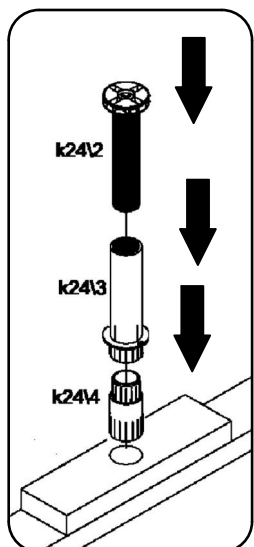
H=138/24 mm

k24\4 2x

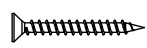
50 mm

p12 4x

Ø4x50 mm



9

p6	6x
	Ø4x35 mm

