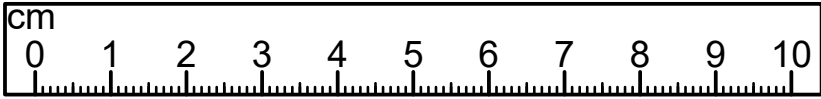
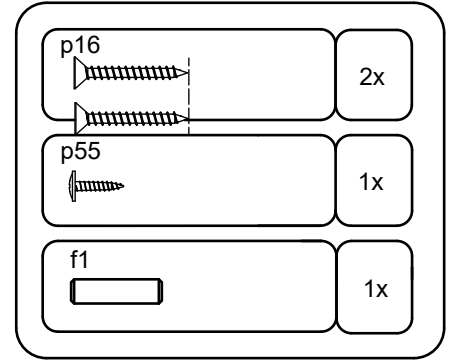
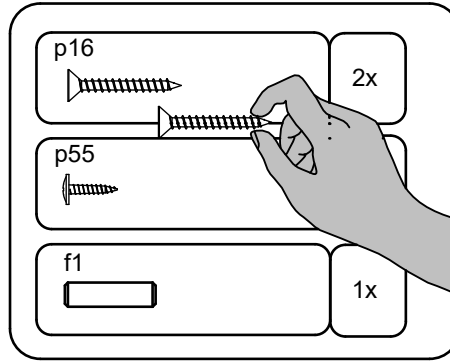

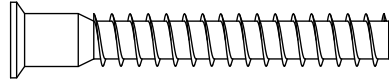

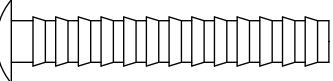





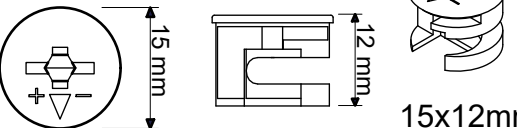
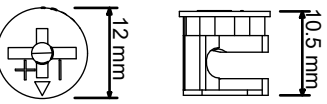
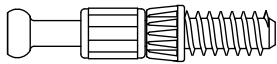


B1	B2	C1	C2	C3	C4	D
S659-0008	-.1	624	468	15	1	3/3
S659-0009	-.1	835	468	15	1	3/3
S659-0010	-	468	188	15	1	3/3
S659-0011	-	508	188	15	1	3/3
S659-1013	-.1	843	396	15	1	1/3
S659-1014	-.1	843	396	15	1	1/3
S659-1015	-.1	843	376	15	1	1/3
S659-1016	-.1	843	376	15	1	1/3
S659-1017	-.1	309	374	15	1	1/3
S659-2011	-.1	1530	400	22	1	2/3
S659-2012	-.1	1530	400	15	1	2/3
S659-3014	-.1	476	375	15	1	2/3
S659-3015	-.1	516	375	15	1	2/3
S659-3016	-.1	516	375	15	1	2/3
S659-3017	-.1	475	350	15	3	2/3
S659-9304	-.1	853	489	2,5	2	1/3
S659-9305	-.1	853	529	2,5	1	1/3
STK-5135	-	430	127	15	1	1/3
STK-5136	-	470	127	15	1	1/3
WSD-9429	-	440	358	2,5	1	2/3
WSD-9430	-	480	358	2,5	1	2/3
WSK3-5005	-.4	350	140	12	2	1/3
WSK3-5006	-.4	350	140	12	2	1/3

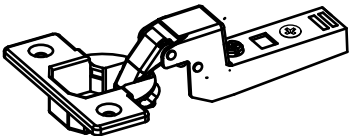
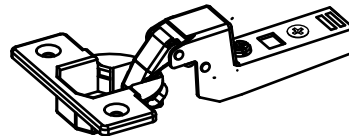
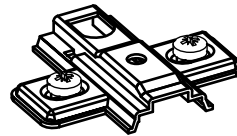


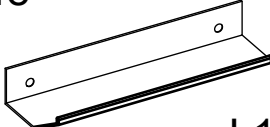
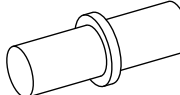
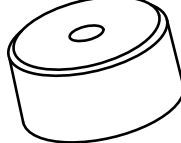
1:1

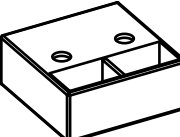
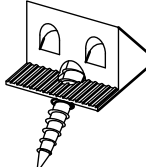
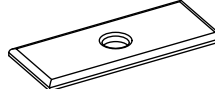


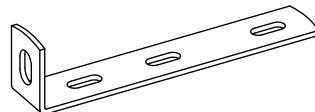
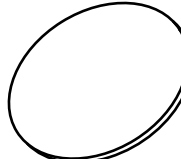

<p>d4</p>  <p>2x</p> <p>Ø6.3x15 mm</p>	<p>e1</p>  <p>6x</p> <p>50mm</p>	<p>f1</p>  <p>40x</p> <p>30mm</p>
<p>f25</p>  <p>8x</p> <p>6.5x40 mm</p>	<p>p6</p>  <p>8x</p> <p>Ø4x35 mm</p>	<p>p36</p>  <p>2x</p> <p>Ø4x25 mm</p>
<p>p55</p>  <p>24x</p> <p>2.8x16mm</p>	<p>p51</p>  <p>20x</p> <p>3.5x15mm</p>	<p>p1</p>  <p>24x</p> <p>Ø3.5x13 mm</p>
<p>r1</p>  <p>18x</p> <p>15x12mm</p>	<p>r15</p>  <p>4x</p> <p>12x10,5mm</p>	<p>r42</p>  <p>22x</p>

~~1:1~~

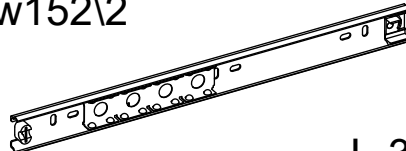
a203 	2x	a210 	2x	b90 	4x
---	----	--	----	--	----

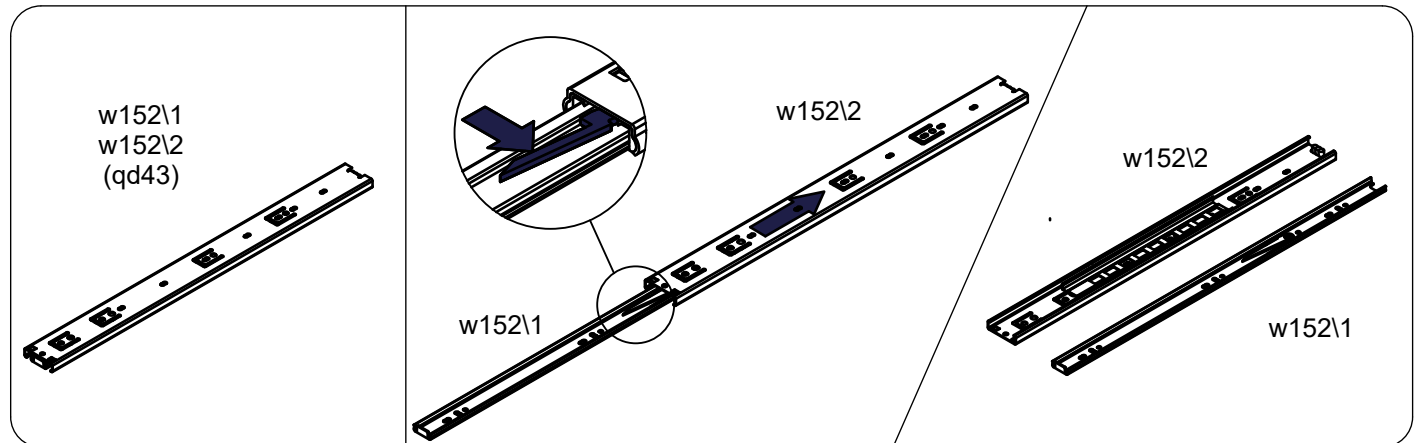
c648  L149/128mm	4x	d1  fi5mm	12x	k53 	2x
---	----	---	-----	--	----

k55 	4x	l2 	10x	n108 	10x
--	----	--	-----	---	-----

n14\2 	2x	s68  Ø20mm	6x	z1  4mm	1x
--	----	--	----	--	----

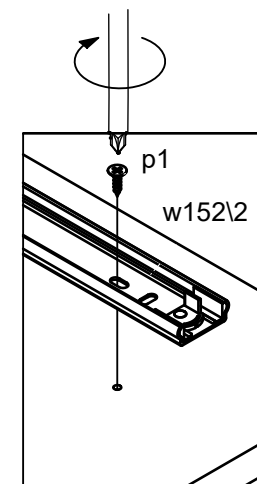
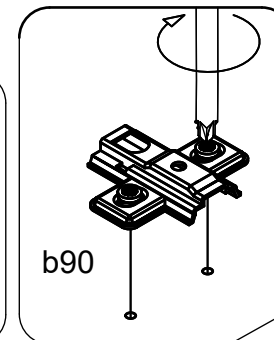
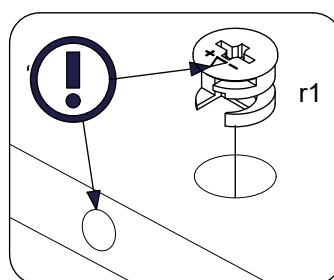
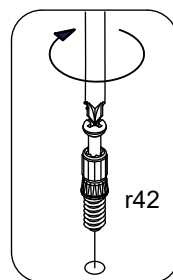
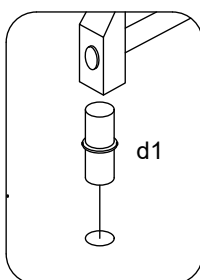
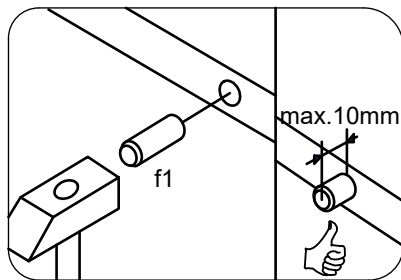
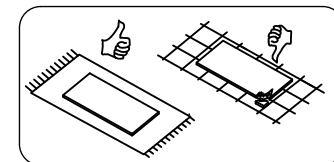
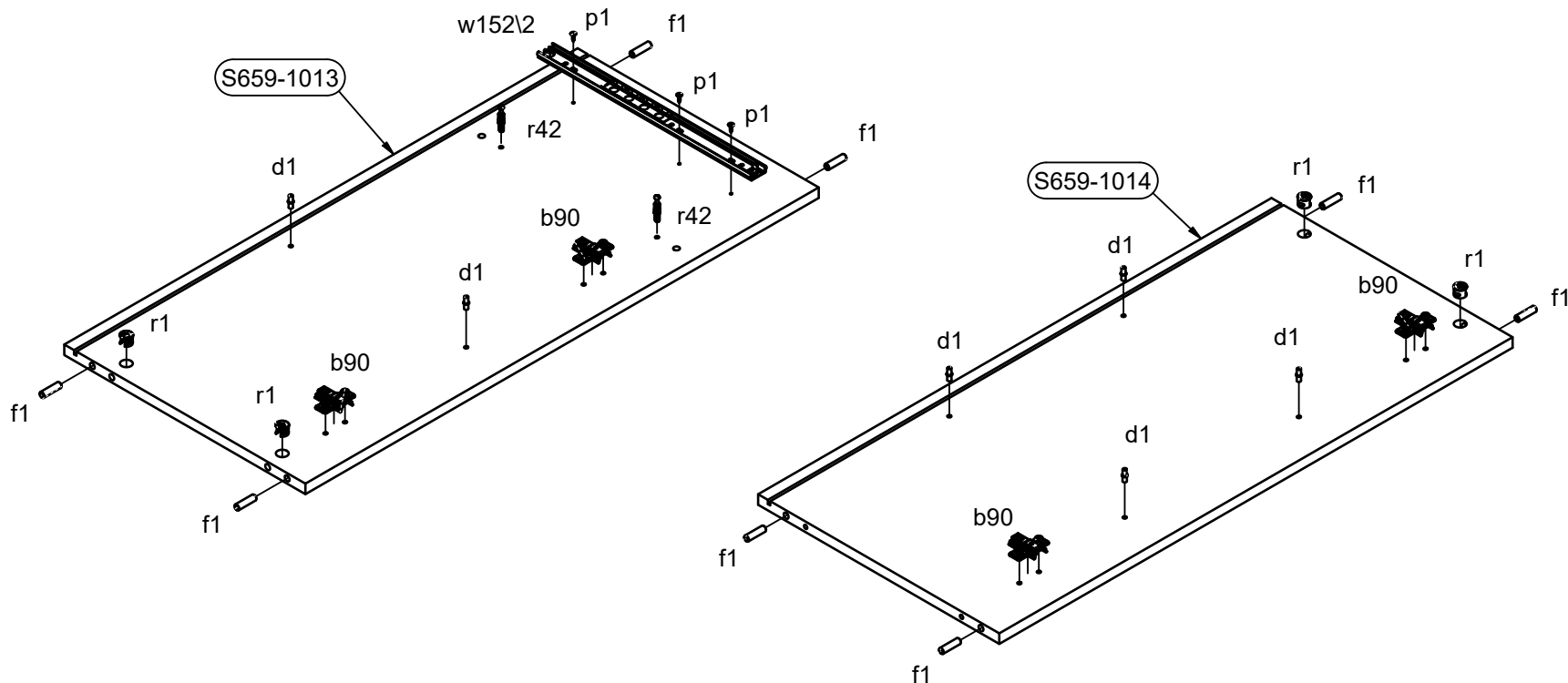
w152\1  L-350mm	4x
---	----

w152\2  L-350mm	4x
--	----

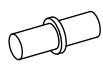





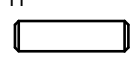
d1 fi5mm 6x	r42 2x	f1 30mm 8x	r1 15x12mm 4x	p1 Ø3.5x13 mm 3x
w152\2 L-350mm 1x			b90 4x	




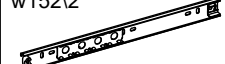
2 


d1		2x
fi5mm		

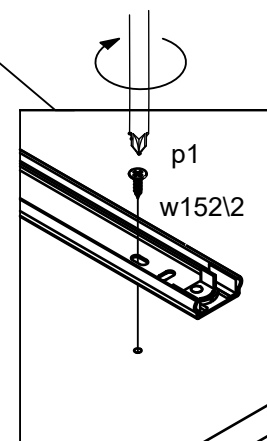
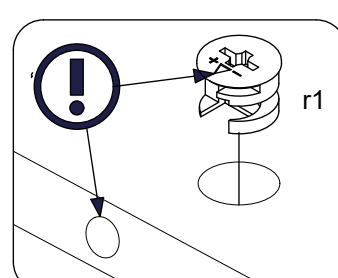
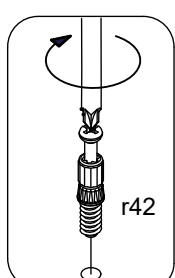
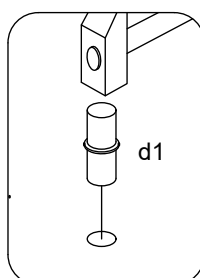
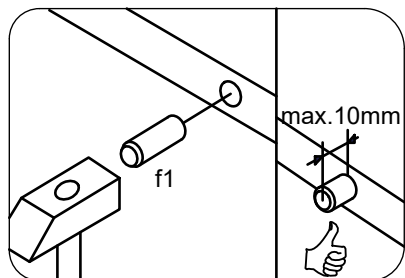
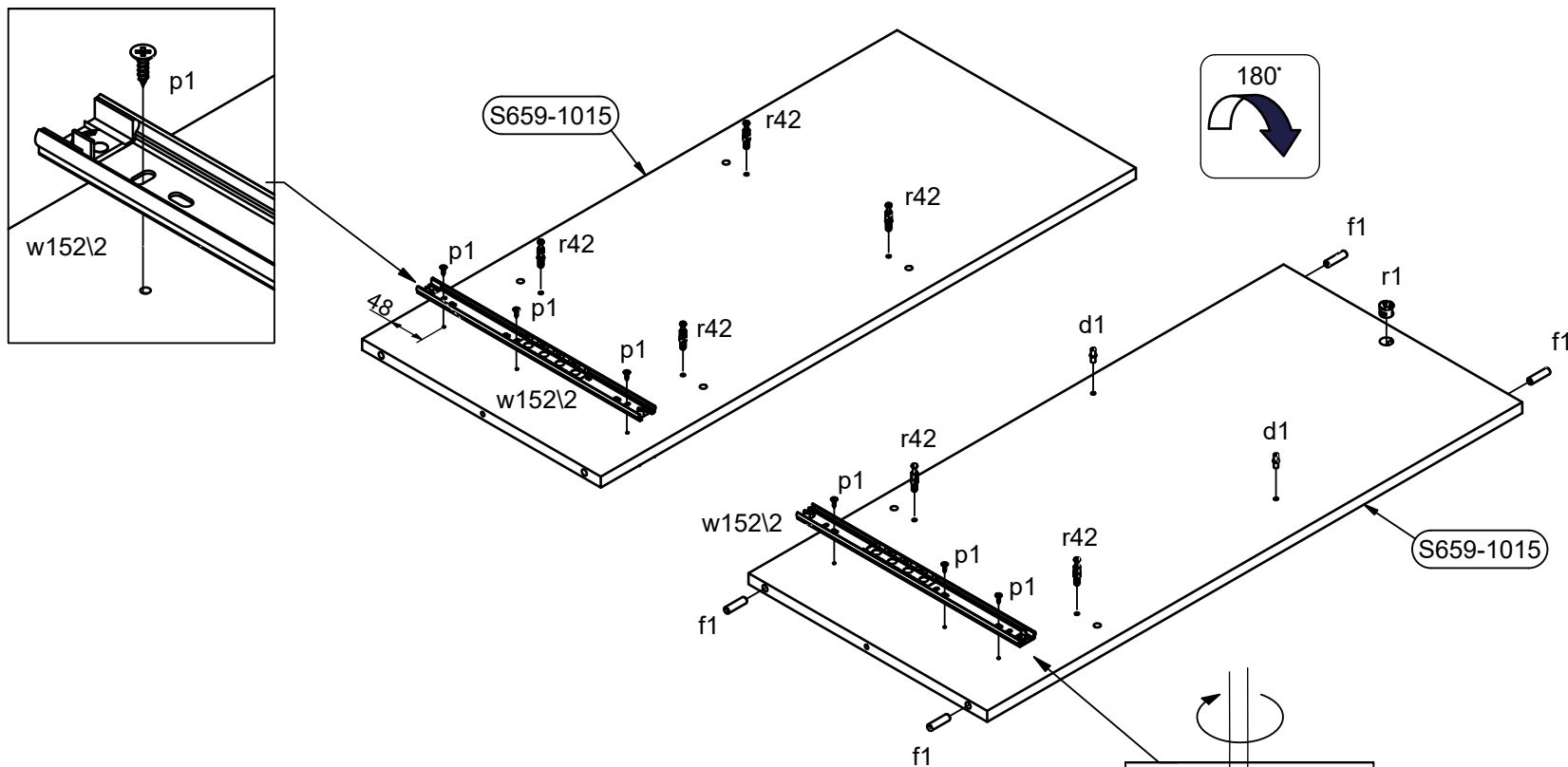
r42		6x
-----	---	----

f1		4x
30mm		

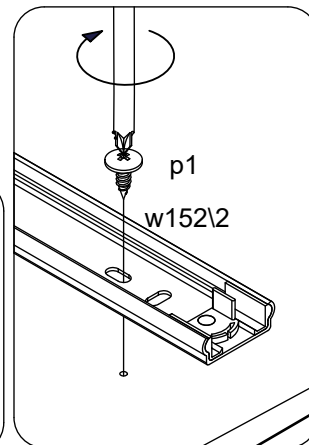
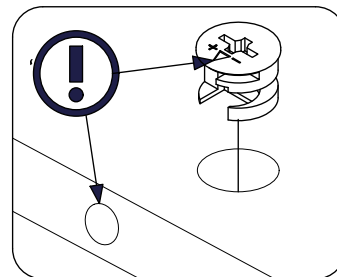
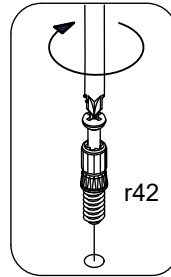
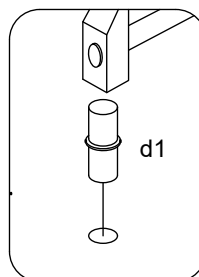
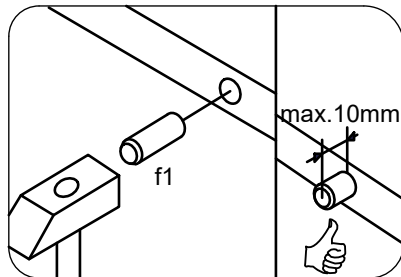
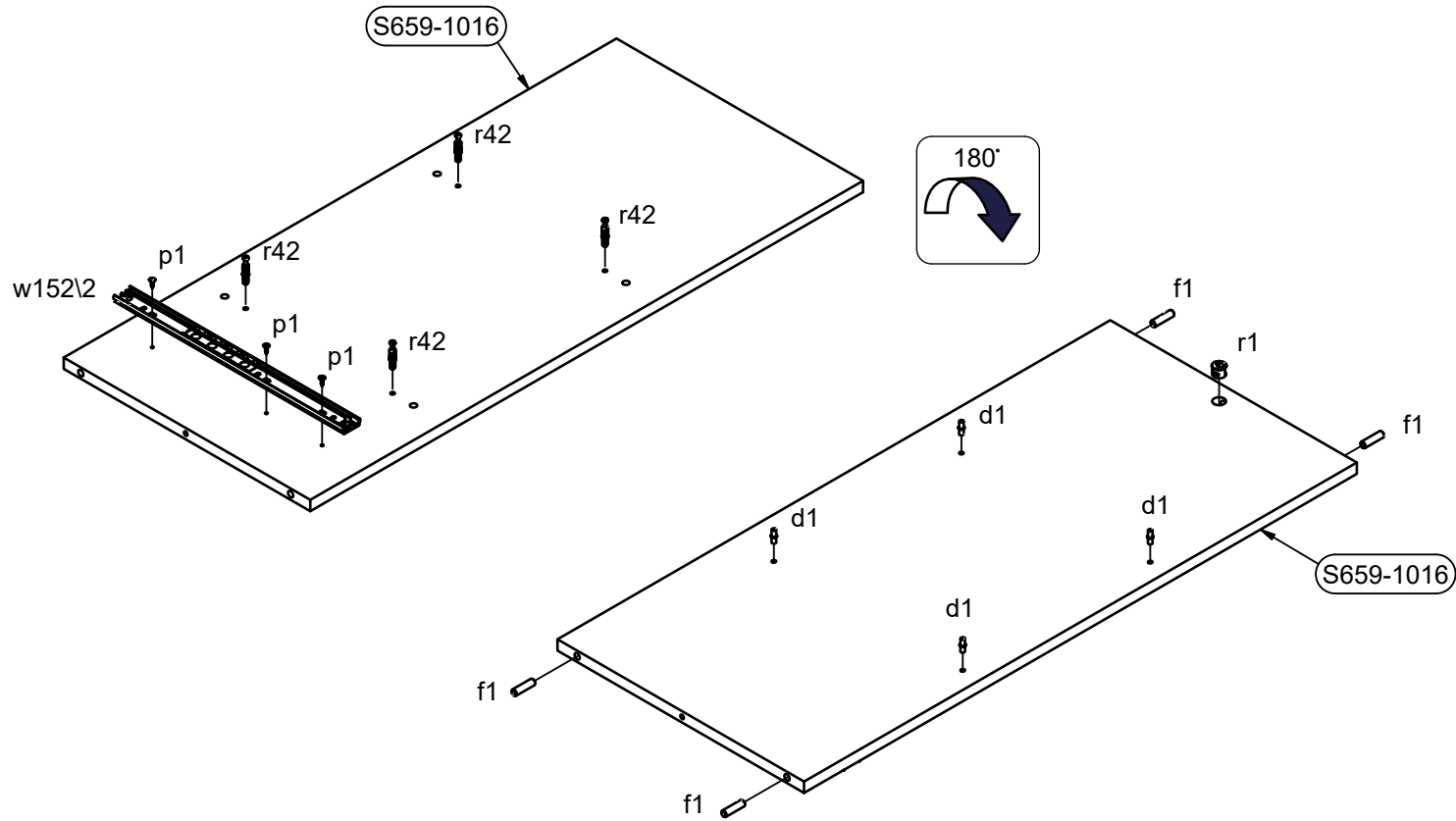
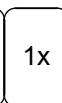
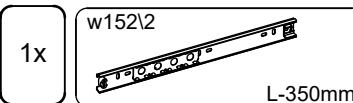
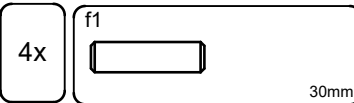
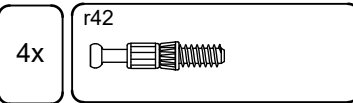
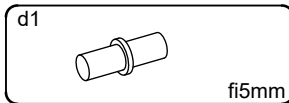
r1		1x
15x12mm		

w152\2		2x
L-350mm		

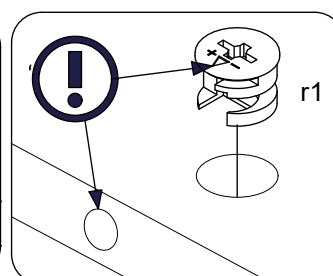
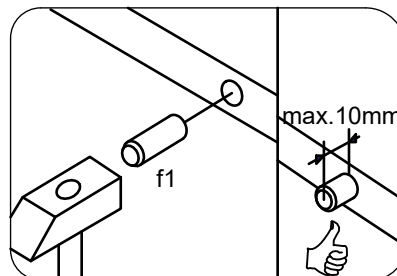
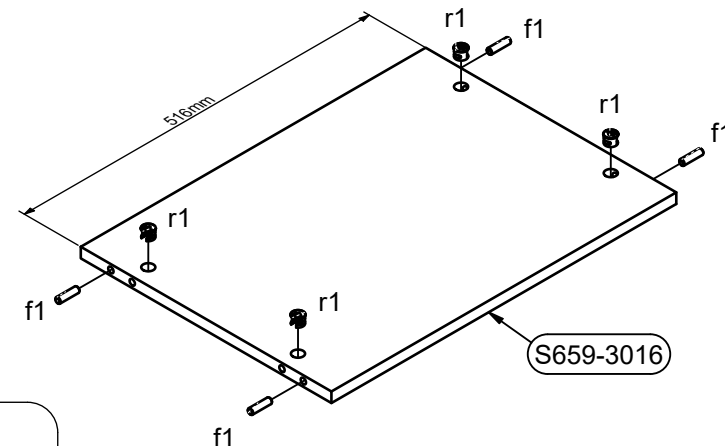
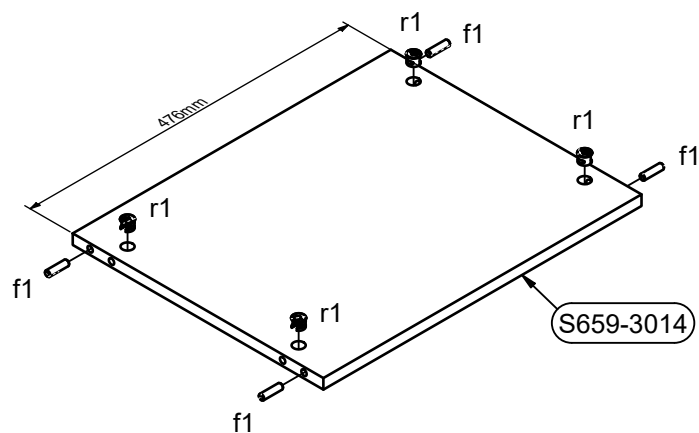
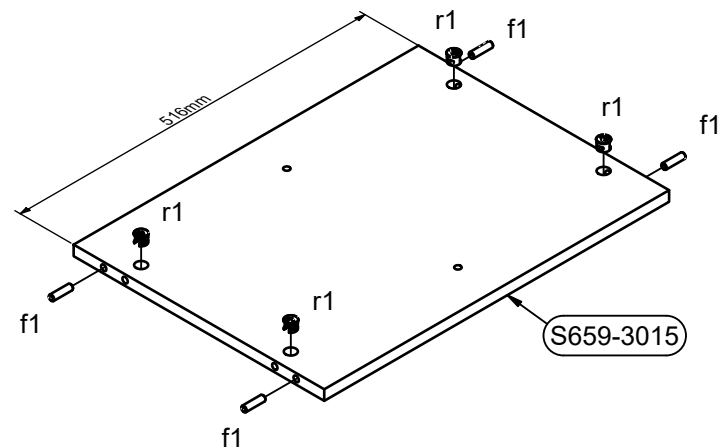
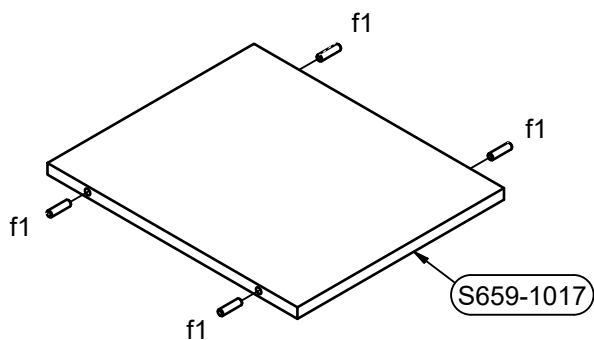
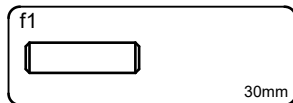
p1		6x
Ø3.5x13mm		



3 



4



5

a203



2x

a210



2x

p51



3.5x15mm

8x

r42



6x

d4

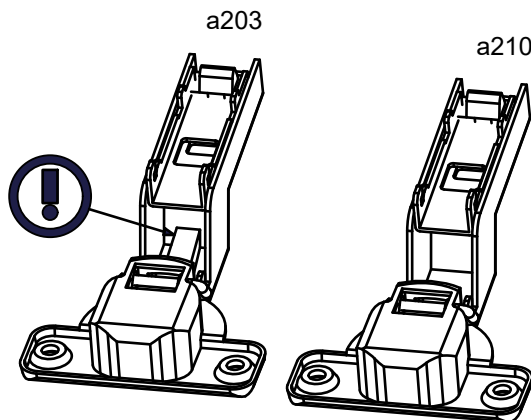
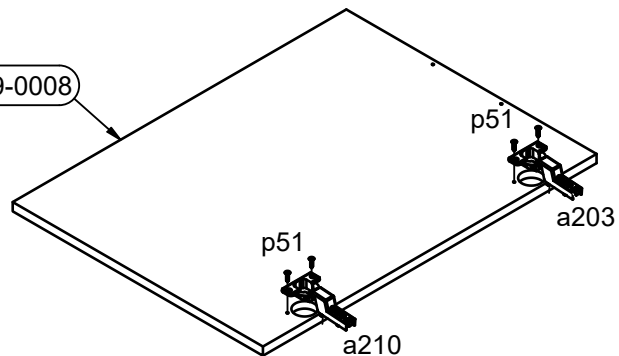


Ø6.3x15 mm

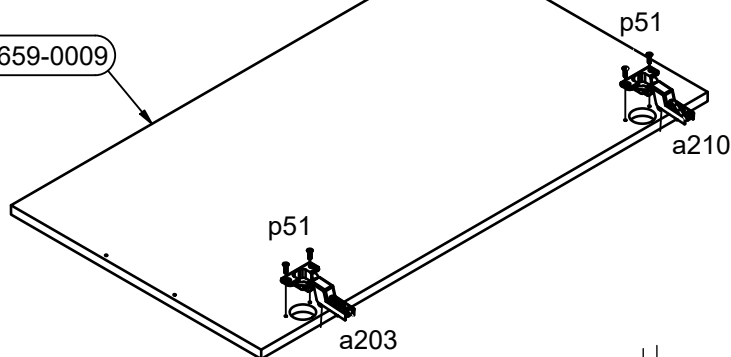
2x



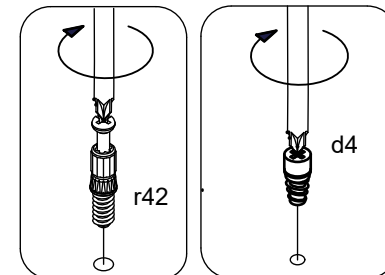
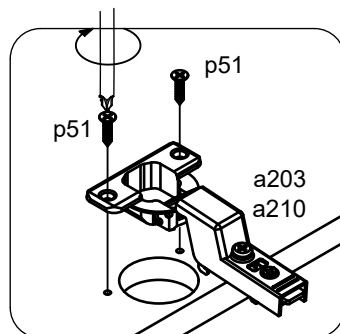
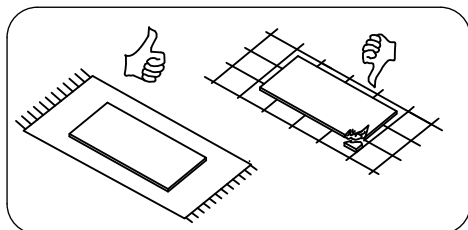
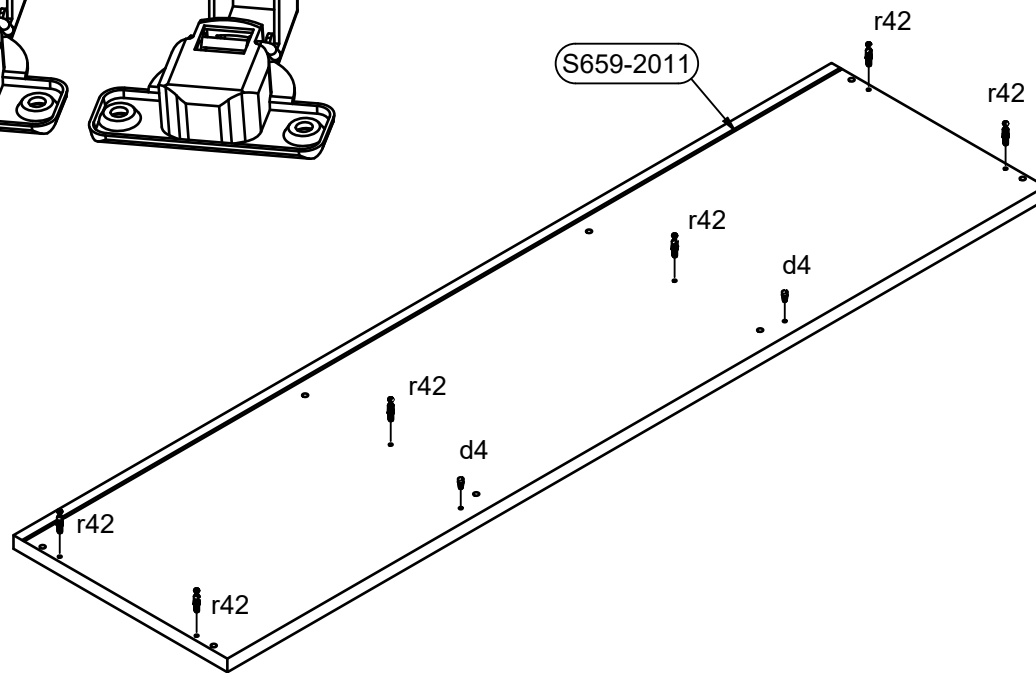
S659-0008



S659-0009



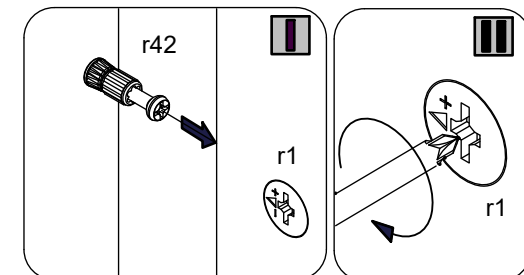
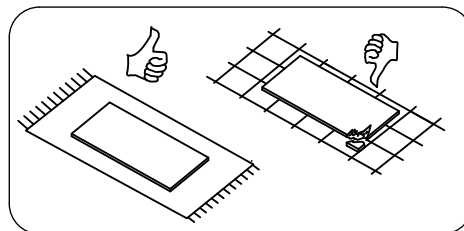
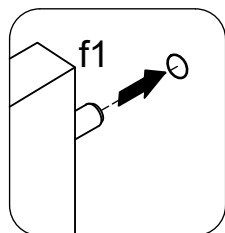
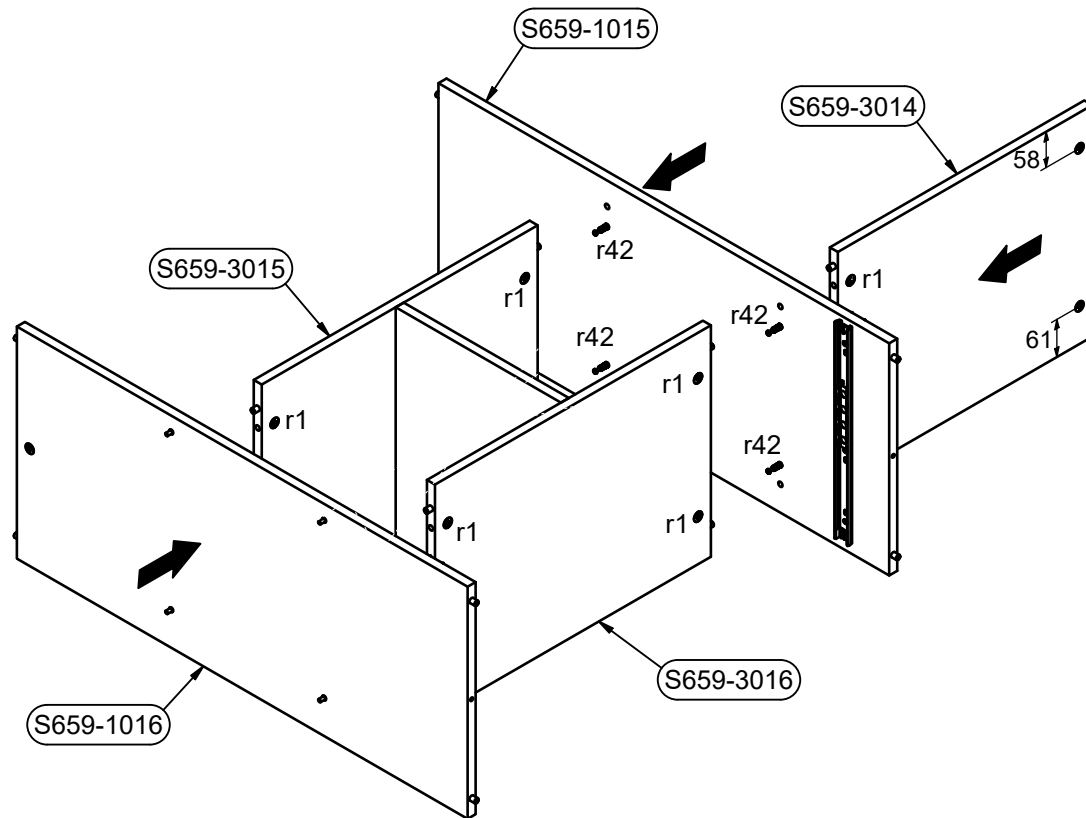
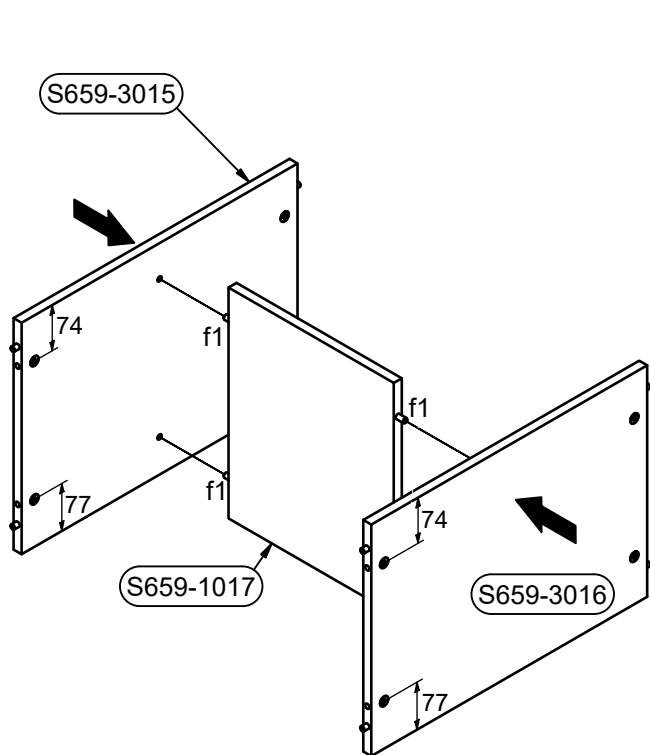
S659-2011



6

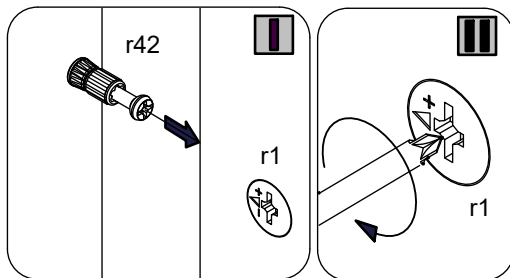
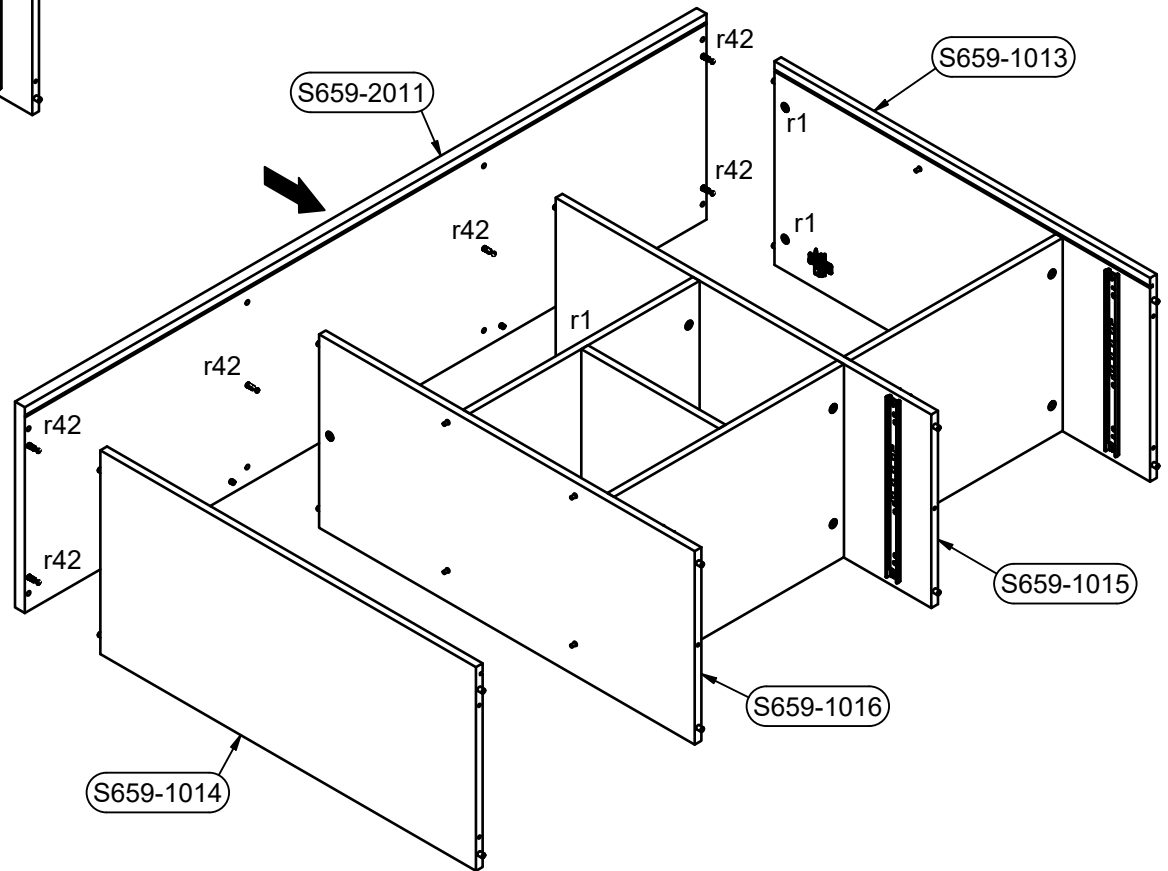
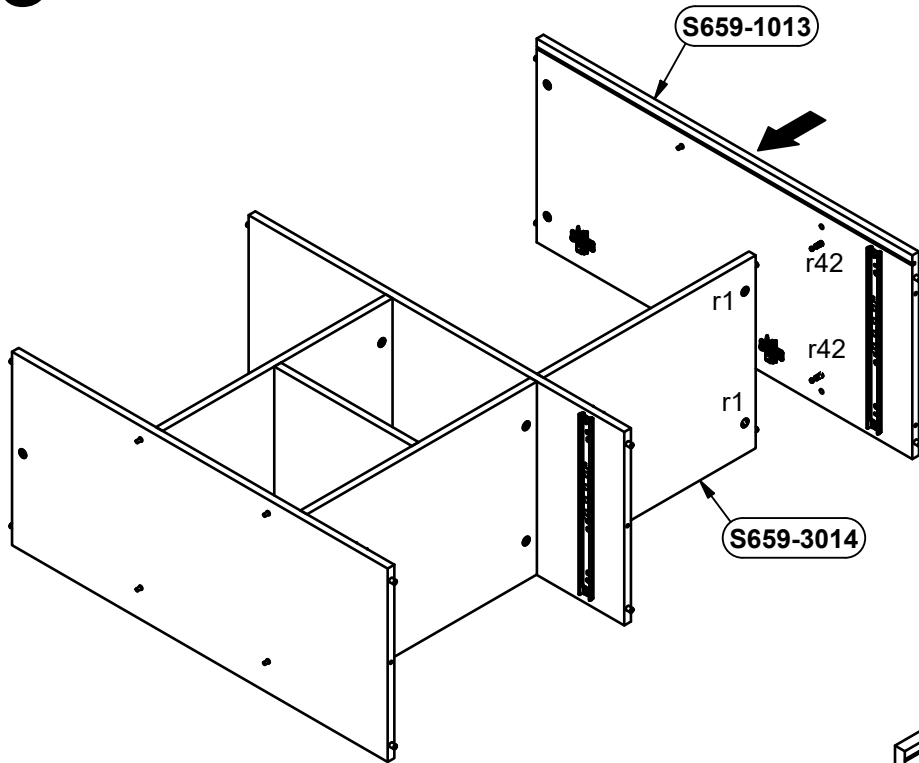


7

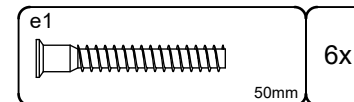
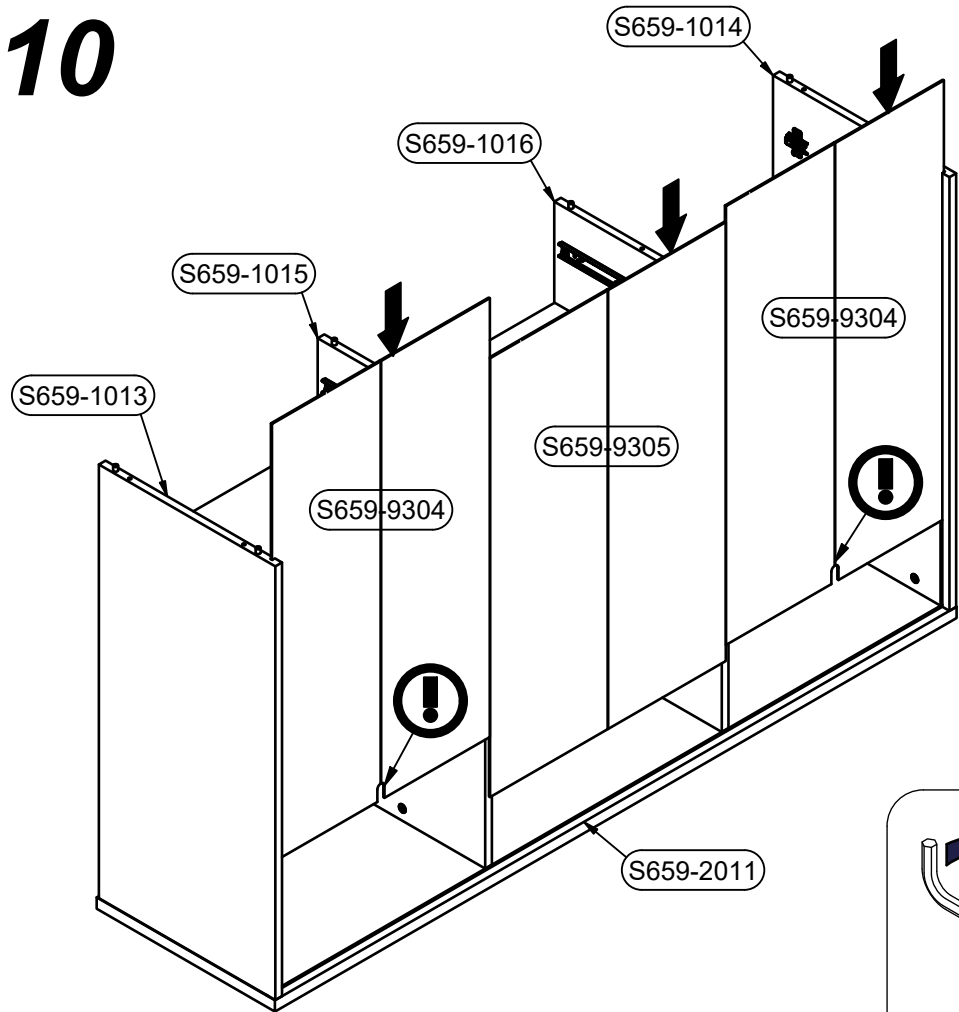


8

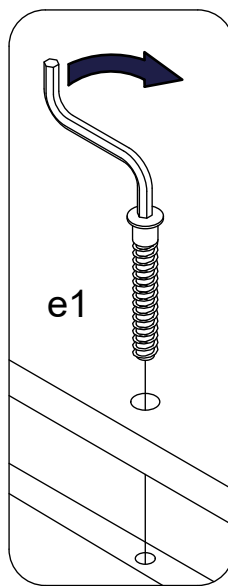
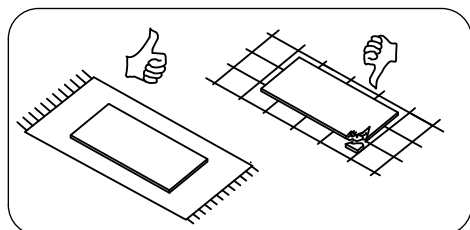
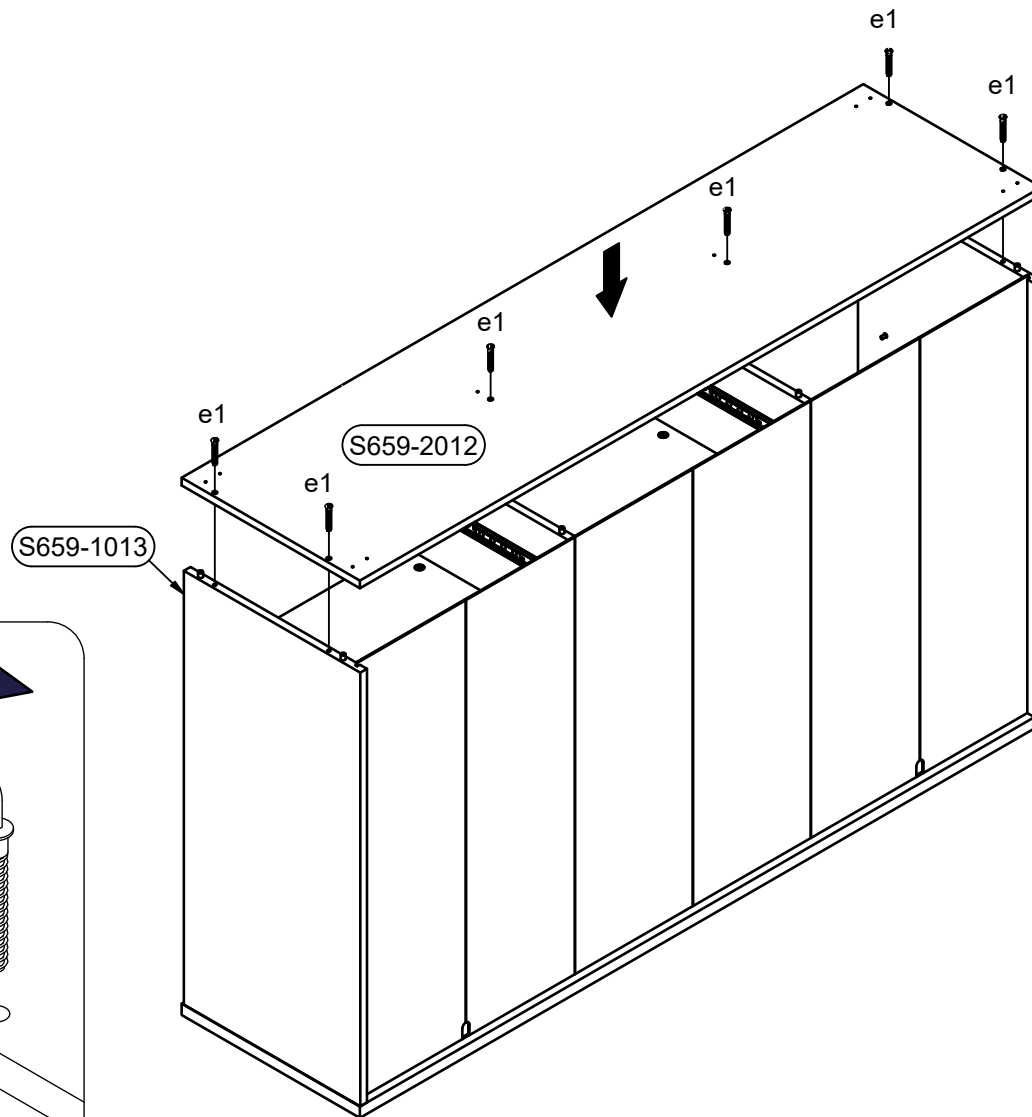
9

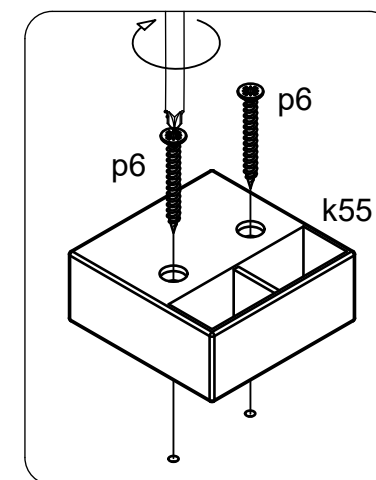
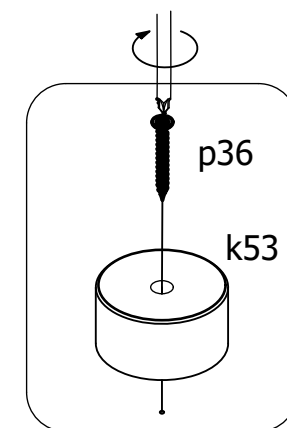
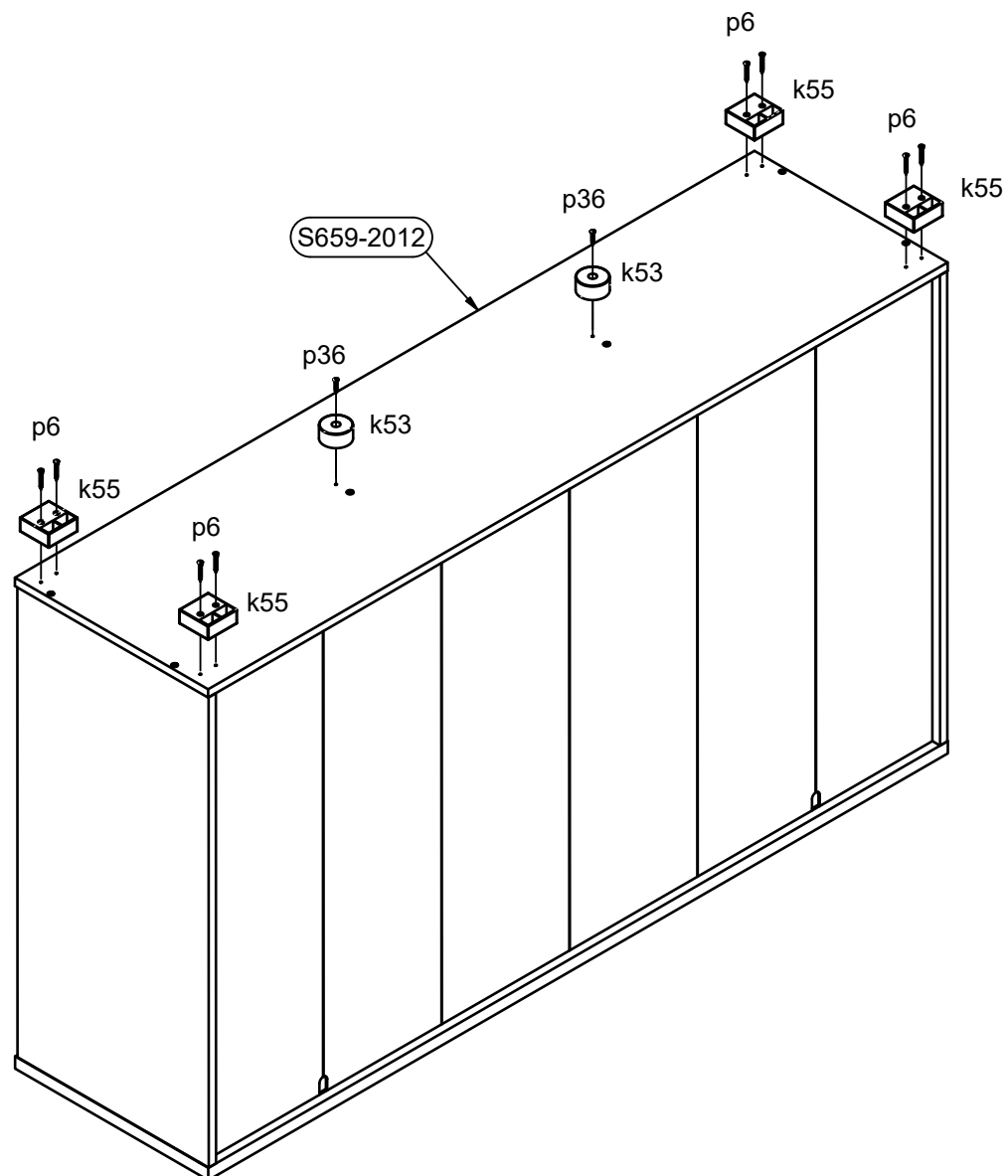
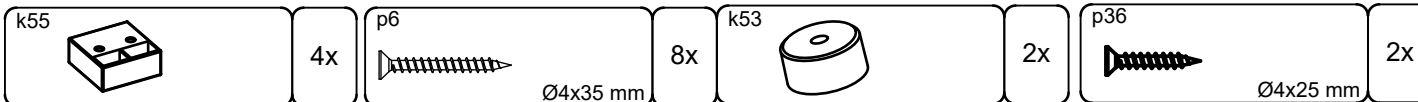


10


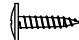



11

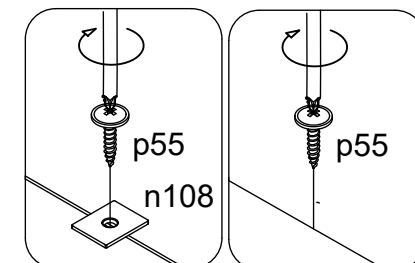
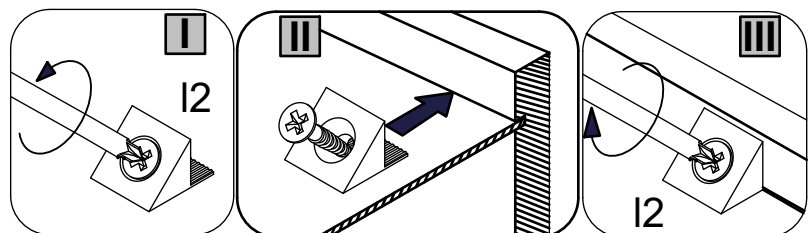
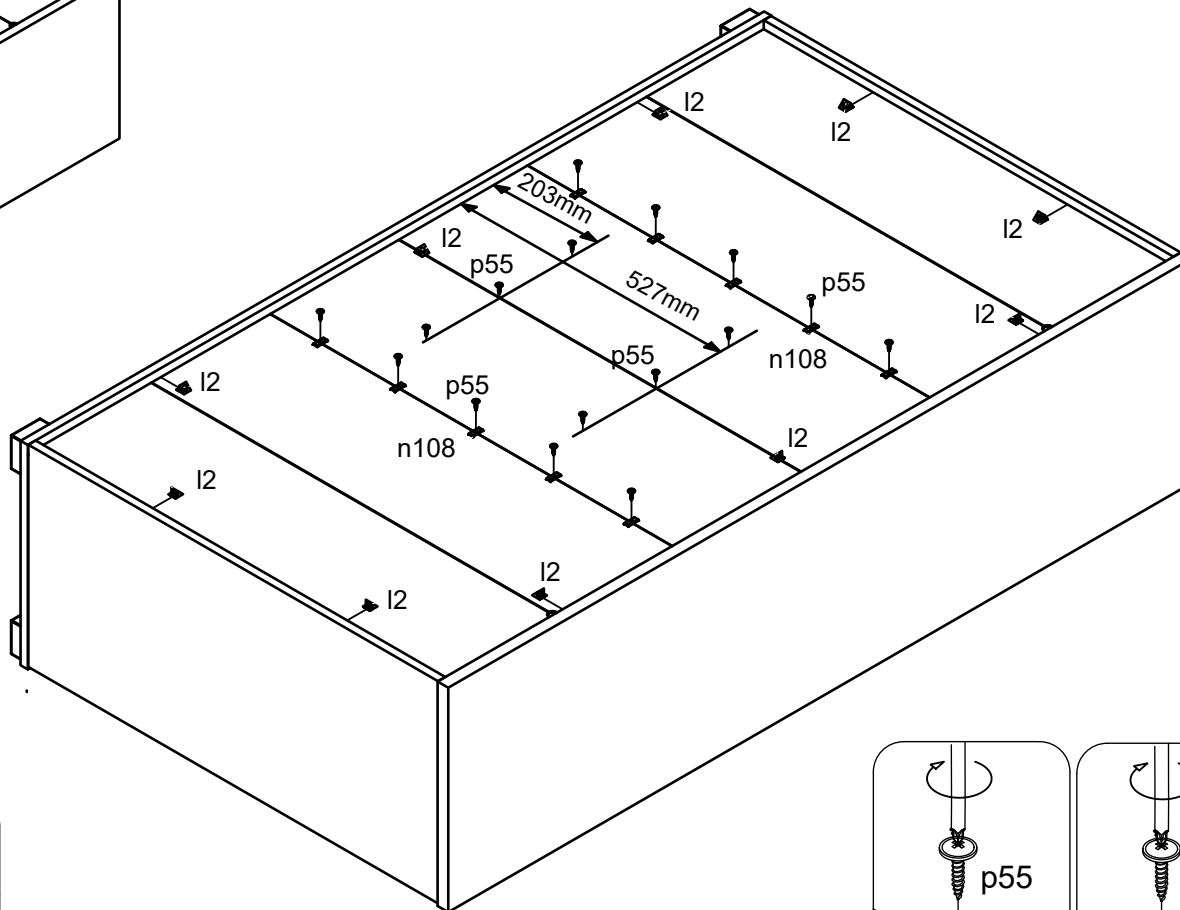
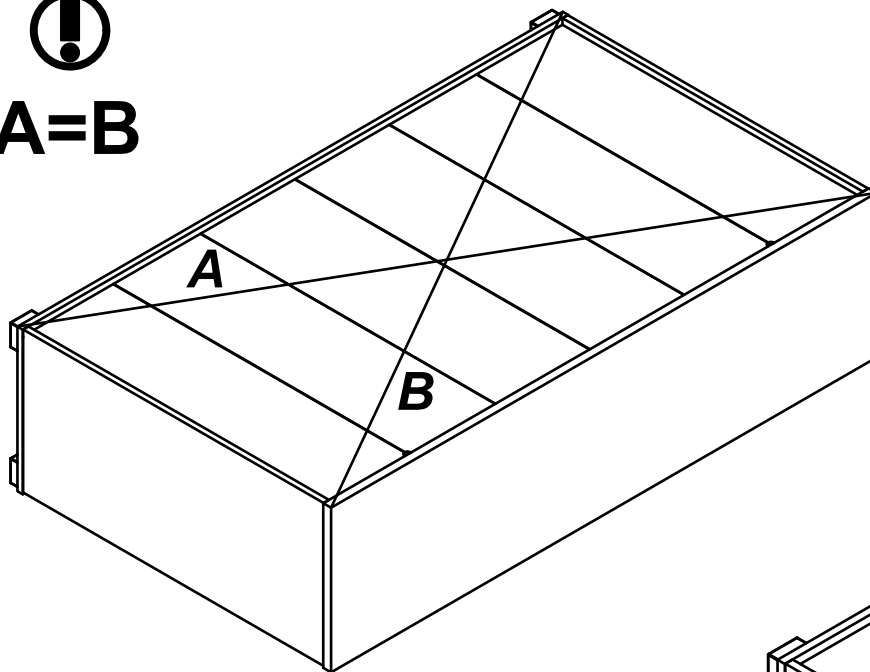





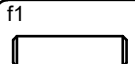


13

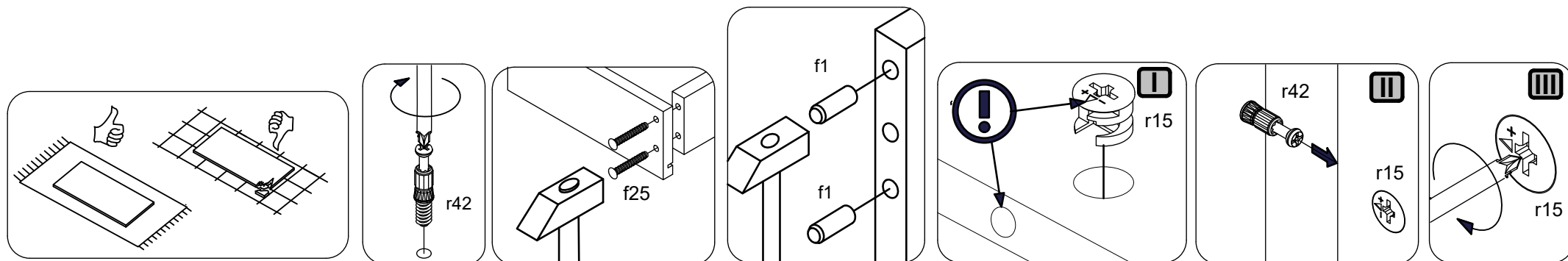
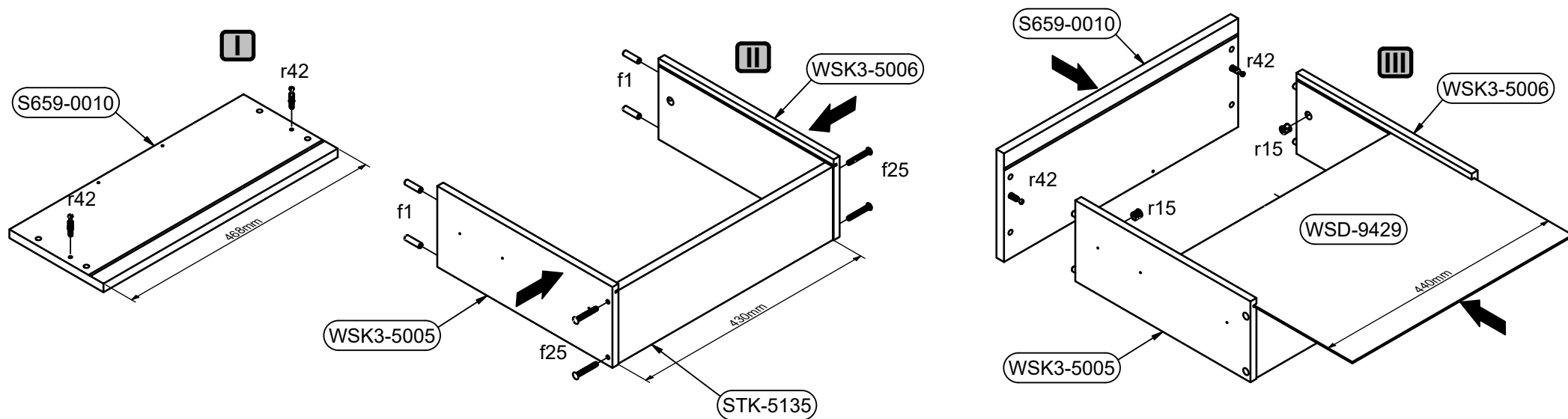
n108 	10x	p55 	2.8x16mm	16x	l2 	10x
---	-----	---	----------	-----	---	-----


A=B



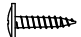




14

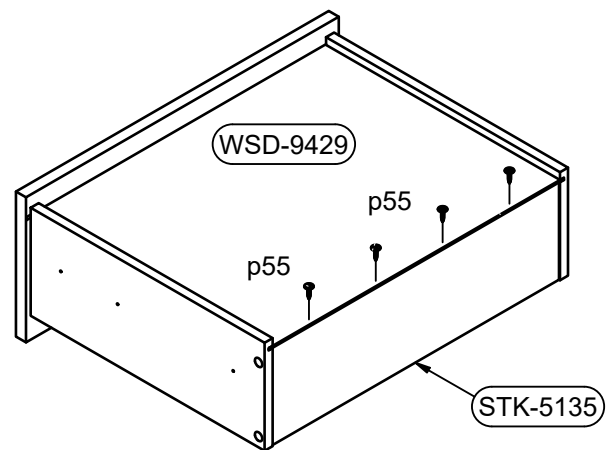
 <p>r42</p>	<p>2x</p>	 <p>f1</p>	<p>4x</p>	 <p>f25</p> <p>Ø6.5x40 mm</p>	<p>4x</p>	 <p>r15</p> <p>12x10,5mm</p>	<p>2x</p>
--	-----------	---	-----------	---	-----------	---	-----------



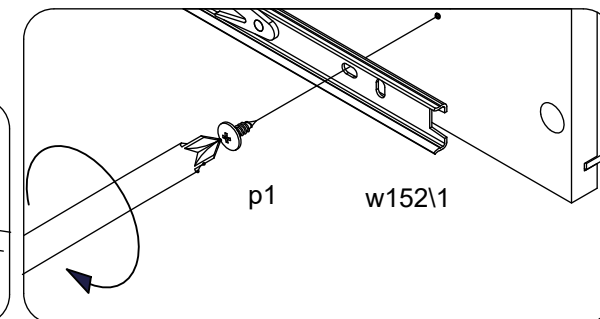
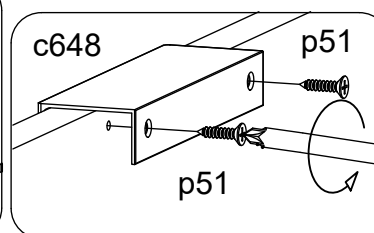
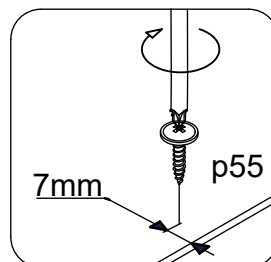
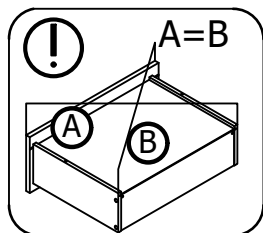
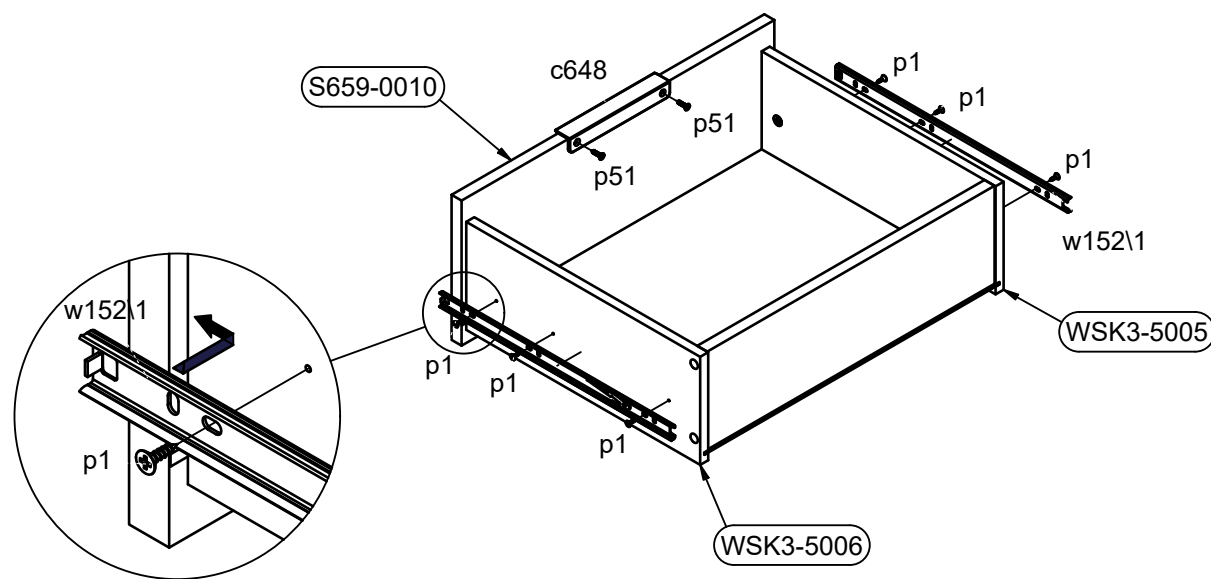
15

p1  Ø3.5x13 mm 6x	p51  3.5x15mm 2x	p55  2.8x16mm 4x	c648  L149/128mm 1x	w152\1  L-350mm 2x
---	--	--	---	--


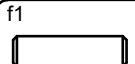


IV

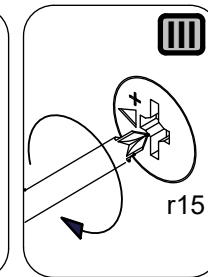
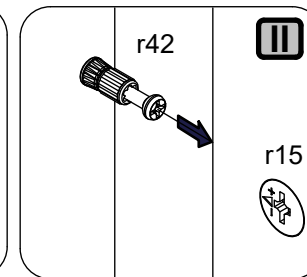
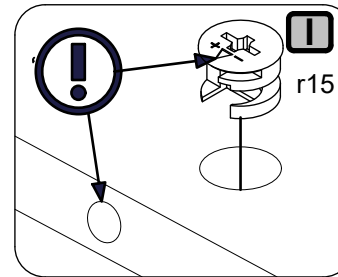
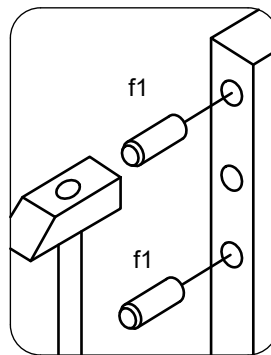
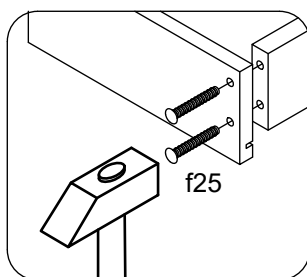
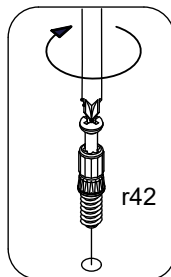
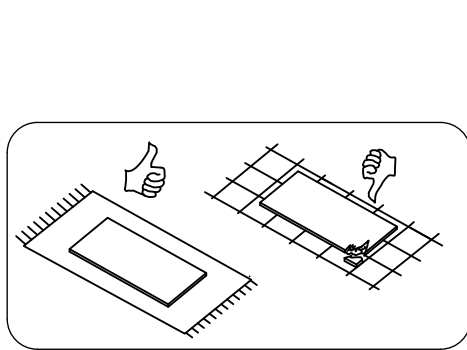
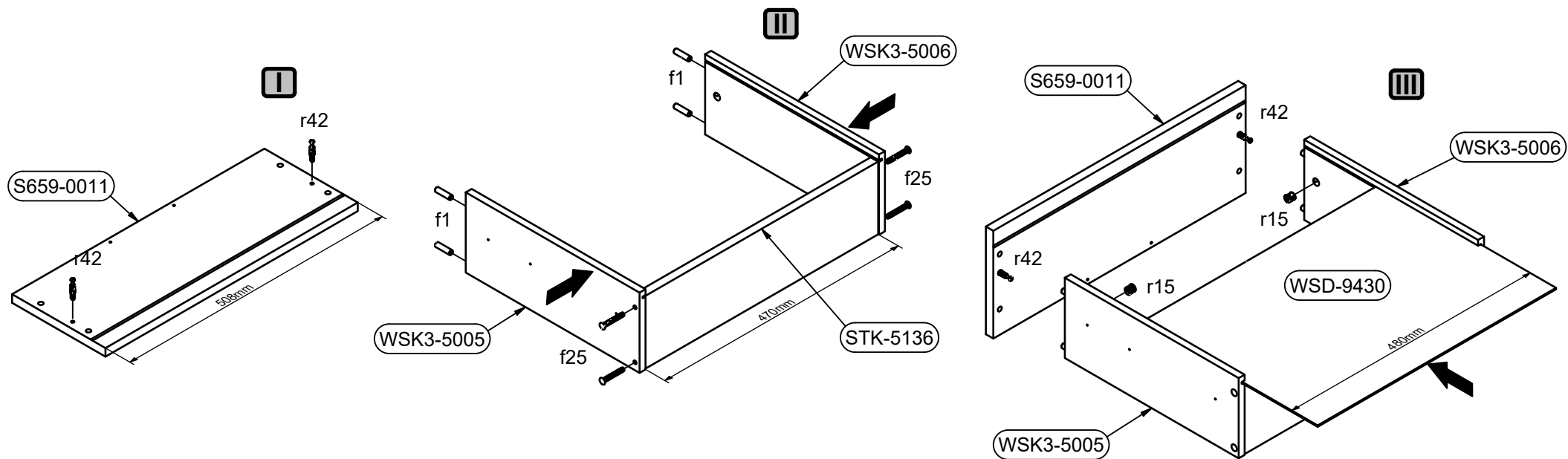


V



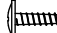




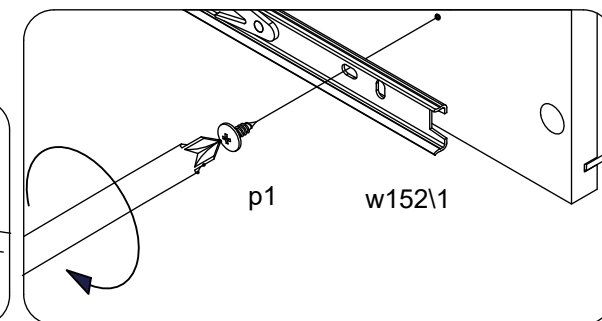
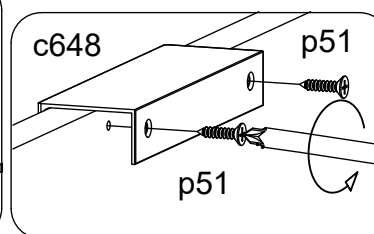
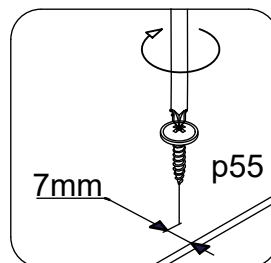
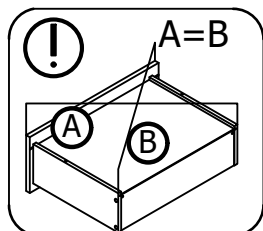
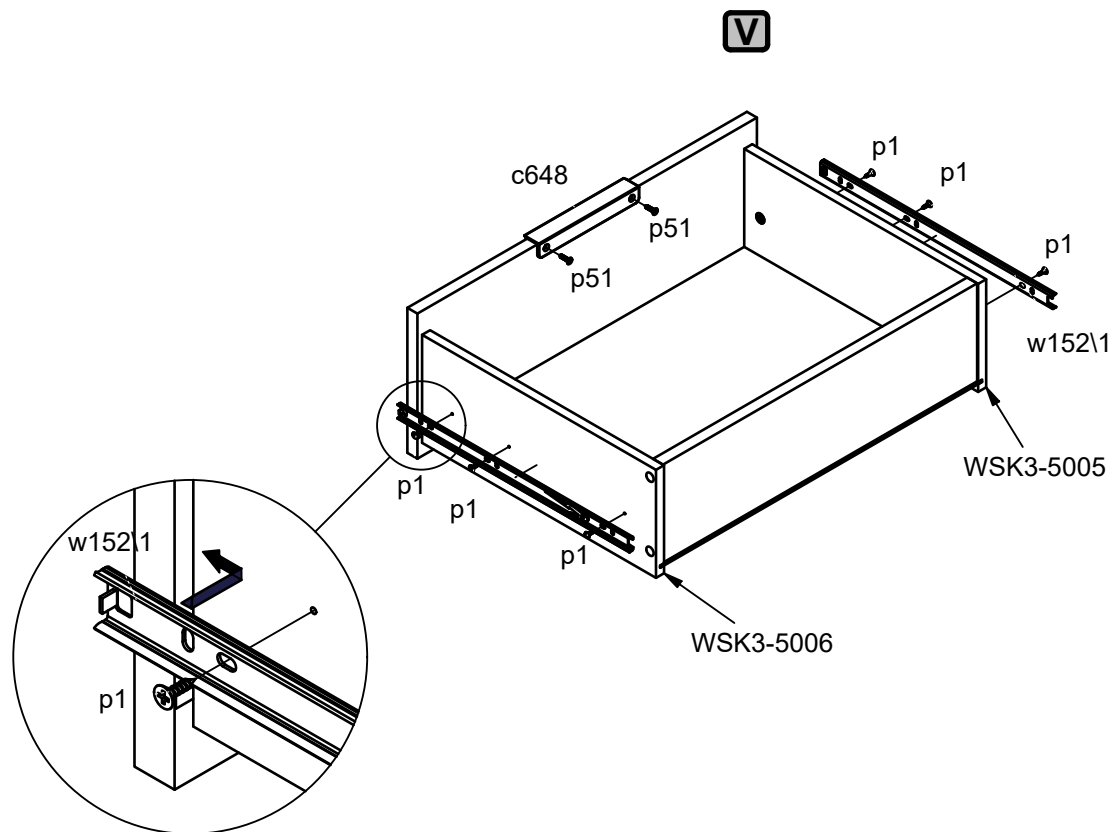
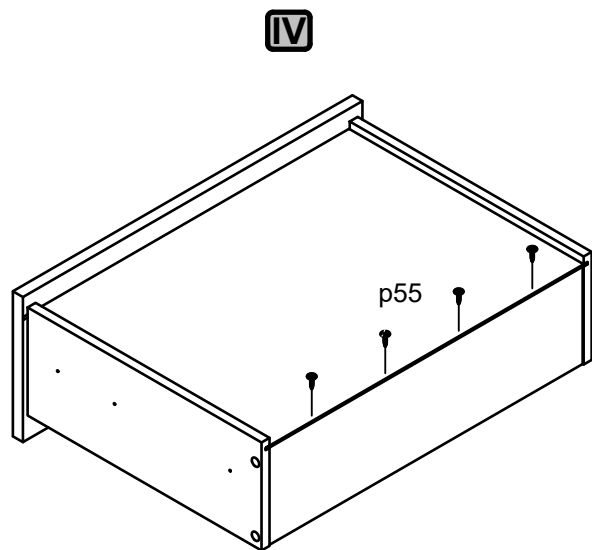
16

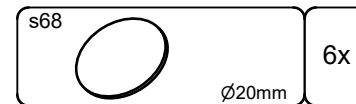
 <p>r42</p>	<p>2x</p>	 <p>f1</p>	<p>4x</p>	 <p>f25</p> <p>Ø6.5x40 mm</p>	<p>4x</p>	 <p>r15</p> <p>12x10,5mm</p>	<p>2x</p>
--	-----------	---	-----------	---	-----------	---	-----------



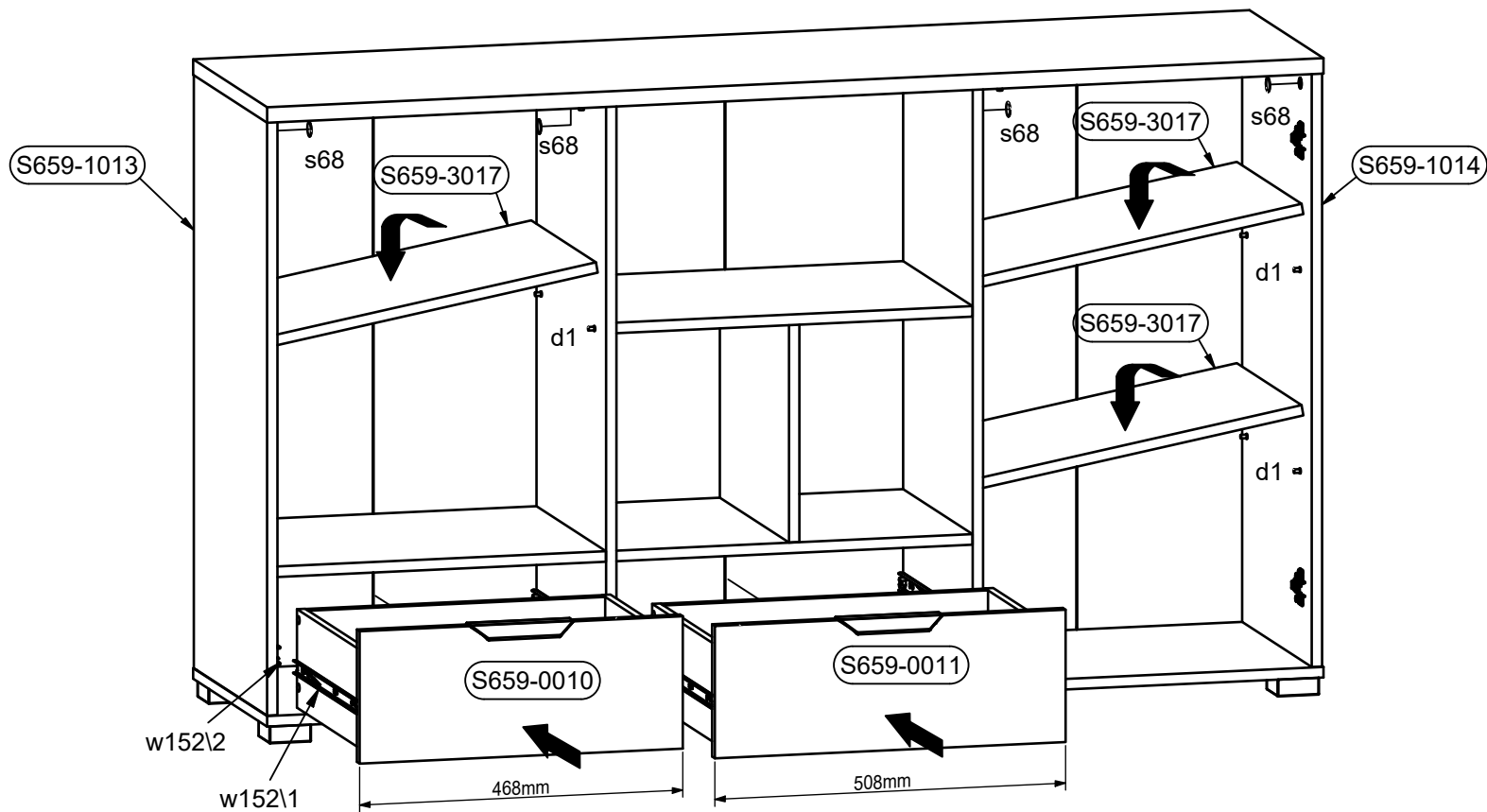
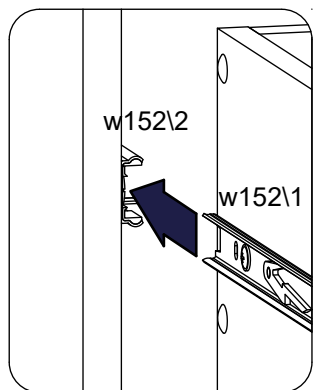
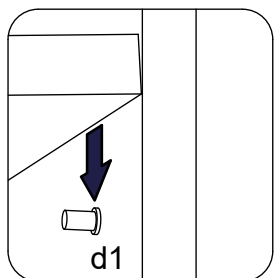
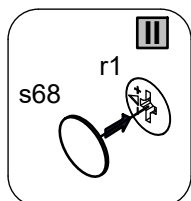
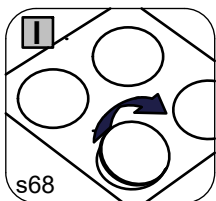
17



p1  Ø3.5x13 mm	6x	p51  3.5x15mm	2x	p55  2.8x16mm	4x	c648  L149/128mm	1x	w152\1  L-350mm	2x
---	----	--	----	--	----	---	----	--	----

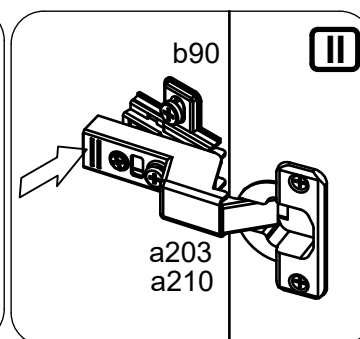
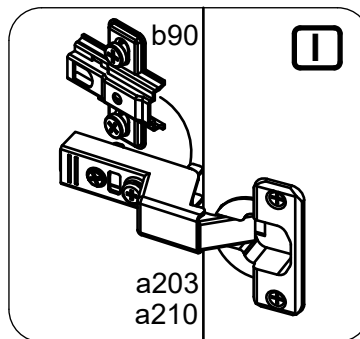
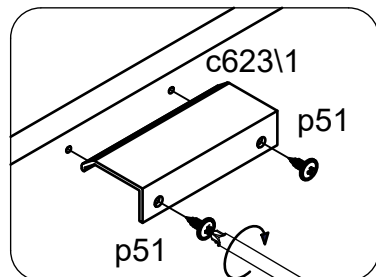
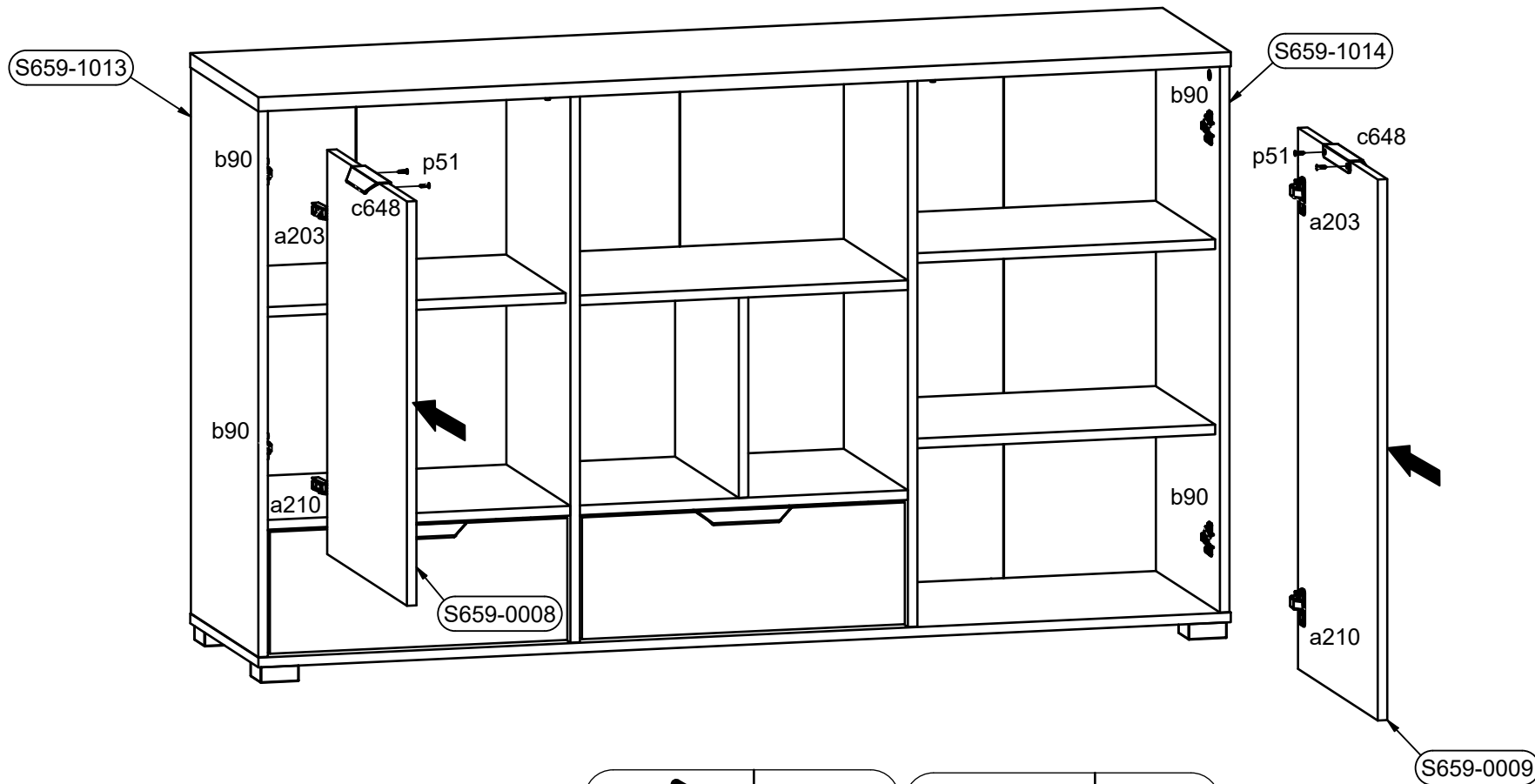




18



p51  3.5x15mm	4x	c648  L149/128mm	2x
--	----	---	----



20



n14\2		2x
p51		4x
	3.5x15mm	

