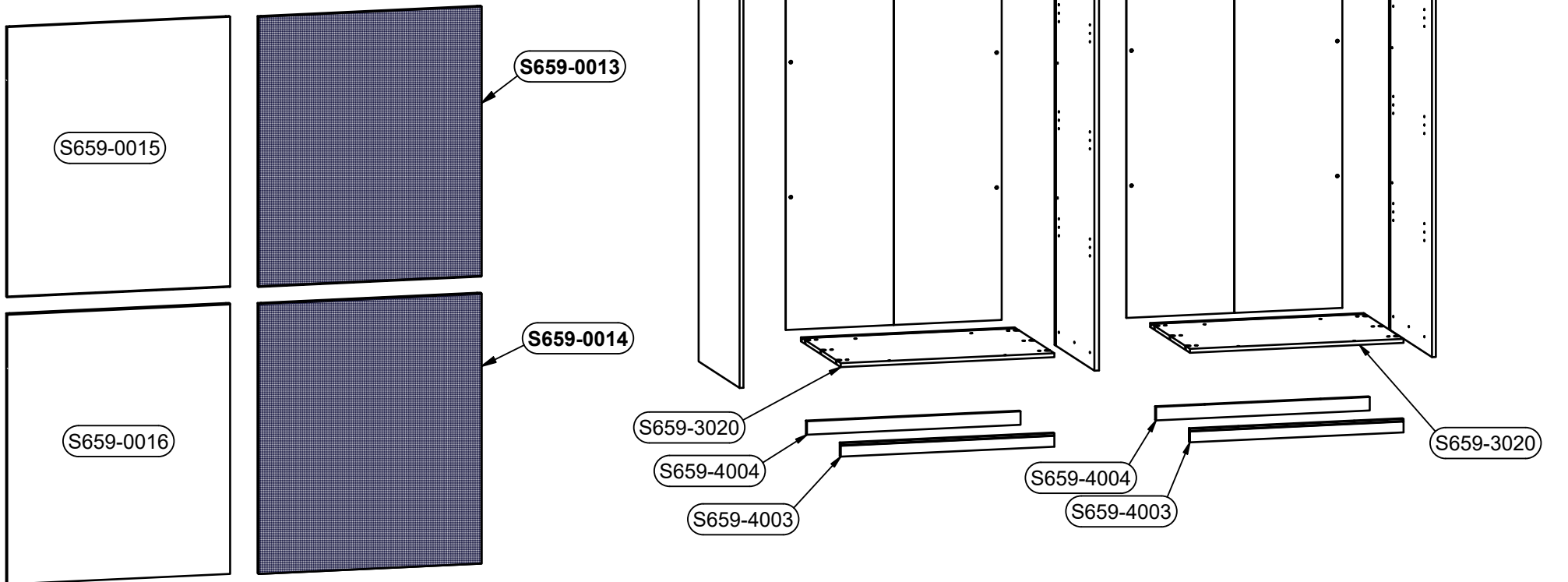
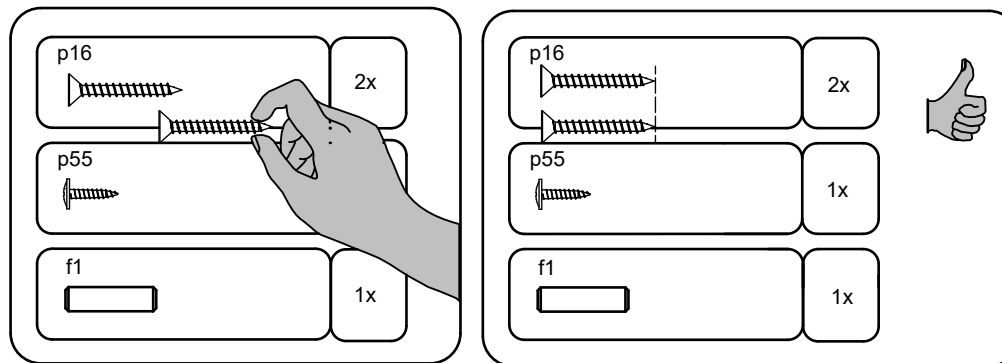
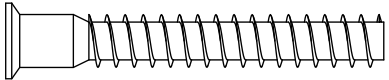
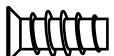


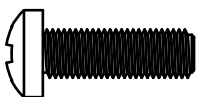

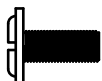



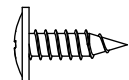



B1	B2	C1	C2	C3	C4	D
dr-818	-	818	30	15	2	1/5
S659-0013	-	862	1025	15	1	4/5
S659-0014	-	862	1025	15	1	4/5
S659-0015	-	862	1025	15	1	4/5
S659-0016	-	862	1025	15	1	4/5
S659-1021	-	2100	591	15	1	3/5
S659-1022	-	2100	620	15	1	2/5
S659-1023	-	2100	575	18	1	3/5
S659-3019	-	826	575	15	1	1/5
S659-3020	-	826	575	15	2	1/5
S659-3021	-	826	520	15	2	2/5
S659-3023	-.1	826	575	15	1	1/5
S659-4003	-	826	51	15	2	2/5
S659-4004	-	826	51	15	2	2/5
S659-9306	-	2028	835	2,5	2	3/5

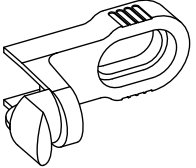
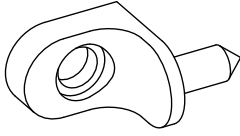
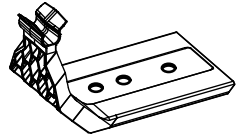
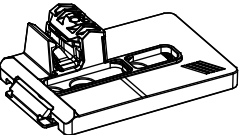
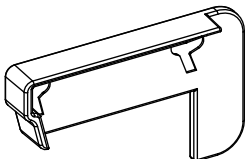
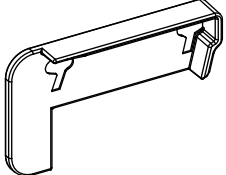
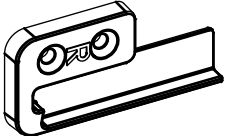
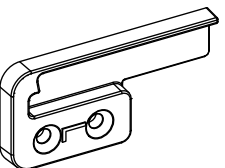


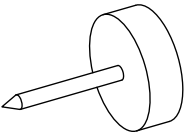
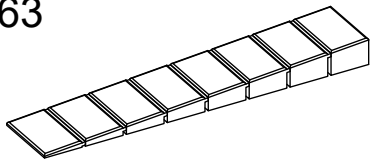
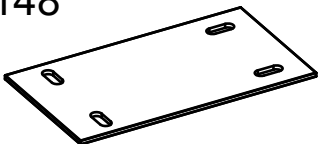
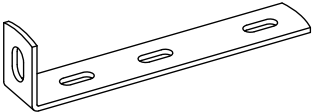
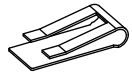
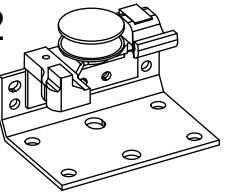
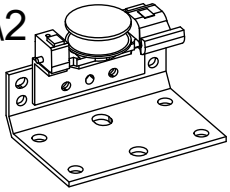
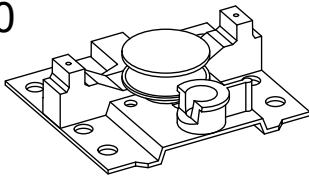




<p>e1</p>  <p>50mm</p>	<p>8x</p>	<p>e5</p>  <p>6.3x13mm</p>	<p>24x</p>	<p>e50</p>  <p>6.3x10</p>	<p>12x</p>
<p>e51</p>  <p>6.3x10</p>	<p>8x</p>	<p>j62</p>  <p>M6x20mm</p>	<p>2x</p>	<p>j84</p>  <p>M4\5mm</p>	<p>8x</p>
<p>j106</p>  <p>M4/10mm</p>	<p>8x</p>	<p>j140</p>  <p>fi5/15mm</p>	<p>8x</p>	<p>p25</p>  <p>Ø3,5x16 mm</p>	<p>4x</p>
<p>p51</p>  <p>3.5x15mm</p>	<p>16x</p>	<p>p93</p>  <p>4x13</p>	<p>64x</p>	<p>r37</p> 	<p>24x</p>

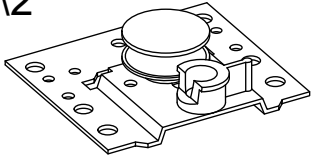


~~1:1~~

d20 	12x	d28 	8x	f69\2 	2x
f70\2 	2x	f71 	1x	f72 	1x
f73 	1x	f74 	1x	f75 	2x
f76 	2x	k1 	14x	l63 	7x
n148 	4x	n14\2 	2x	n218 	6x
n238\2 	1x	n239\2 	1x	n240 	1x

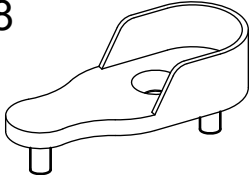
~~1:1~~

n241\2



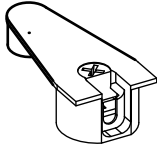
1x

n278



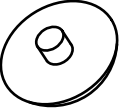
4x

r54



24x

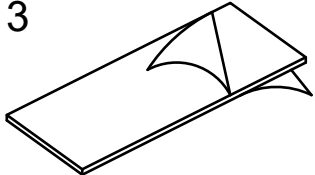
s1



8x

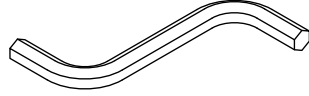
Ø12mm

s113



2x

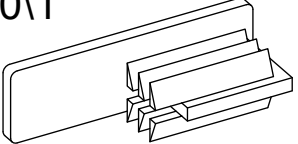
z1



1x

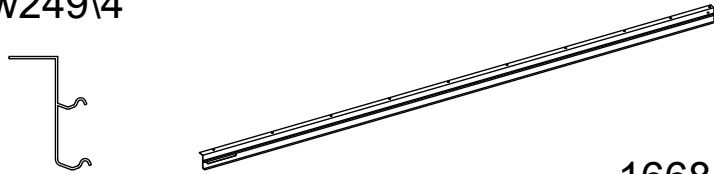
4mm

w180\1



3x

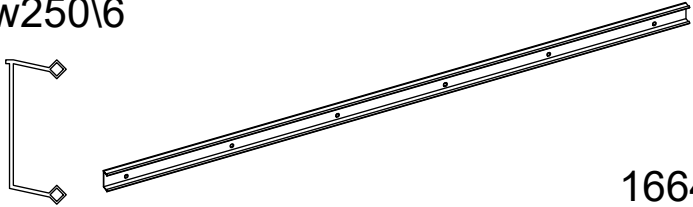
w249\4



1x

1668mm

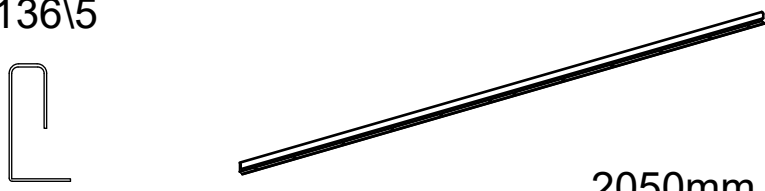
w250\6



1x

1664mm


w136\5



3x

2050mm

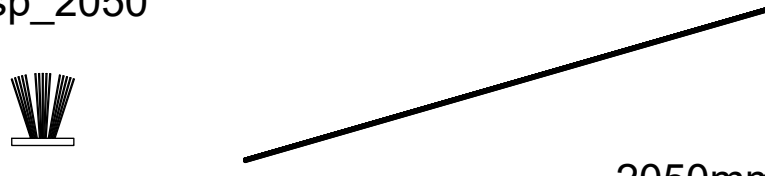
w136\9



1x

2050mm

sp_2050



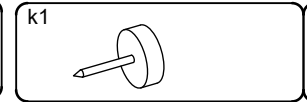
3x

2050mm

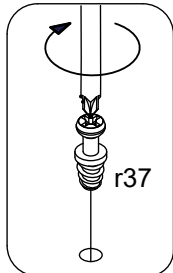
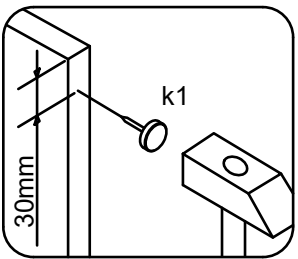
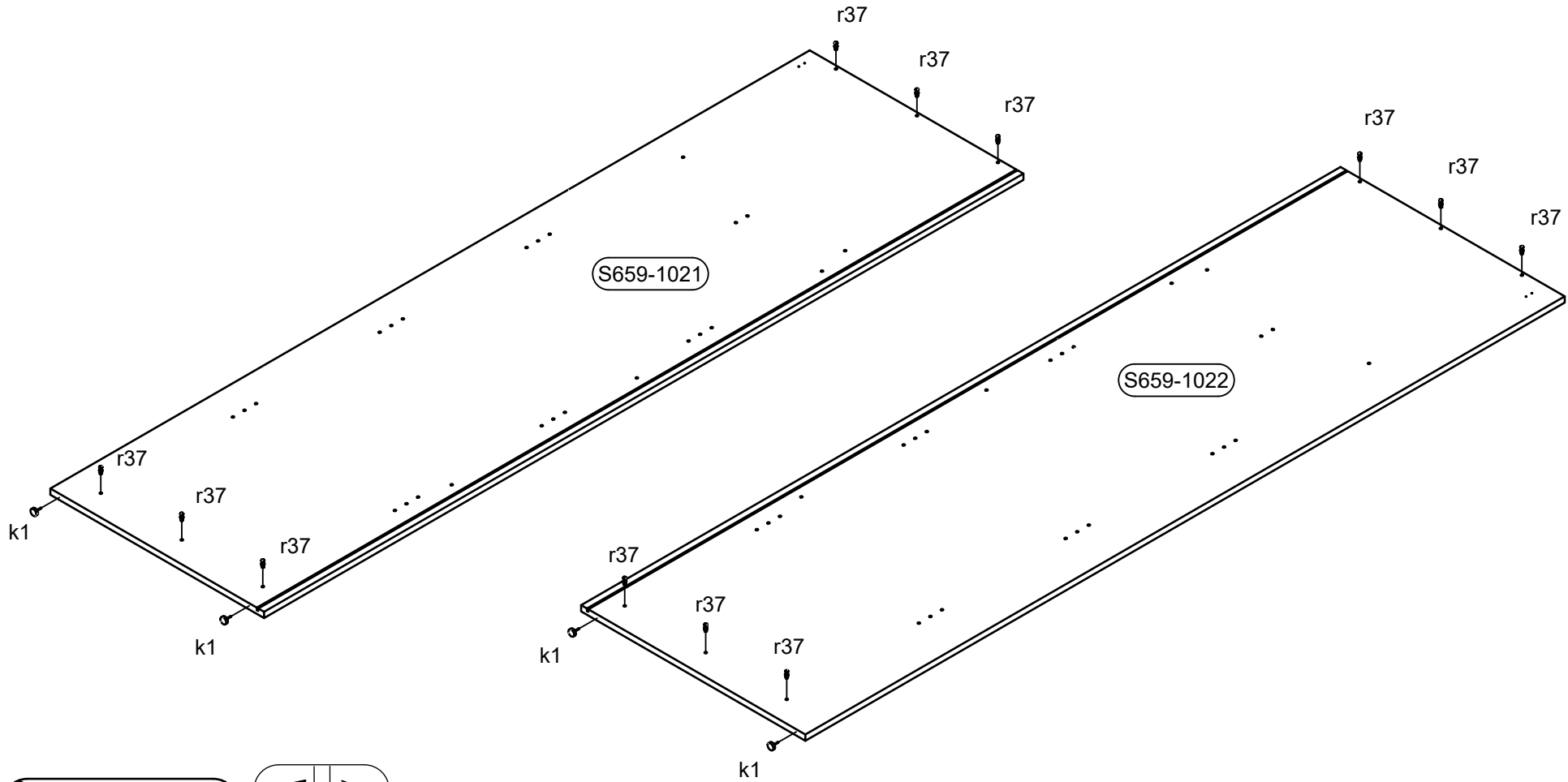
1



12x

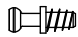



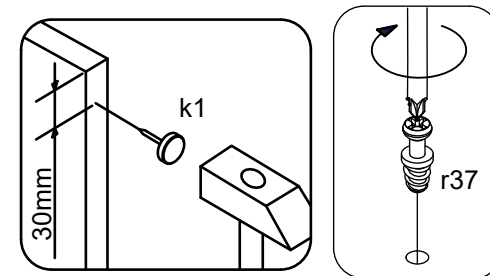
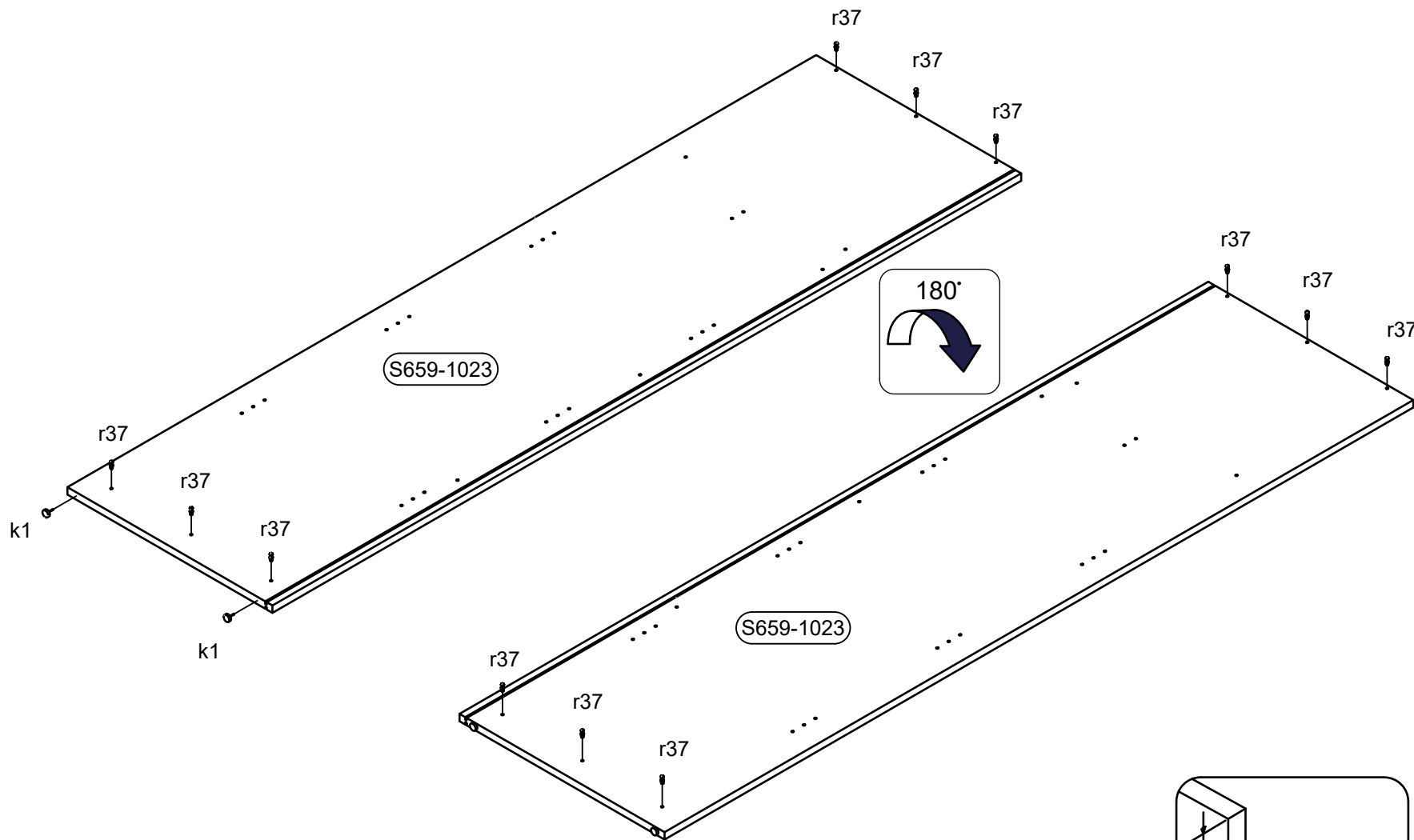
4x



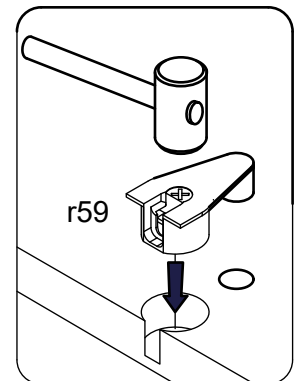
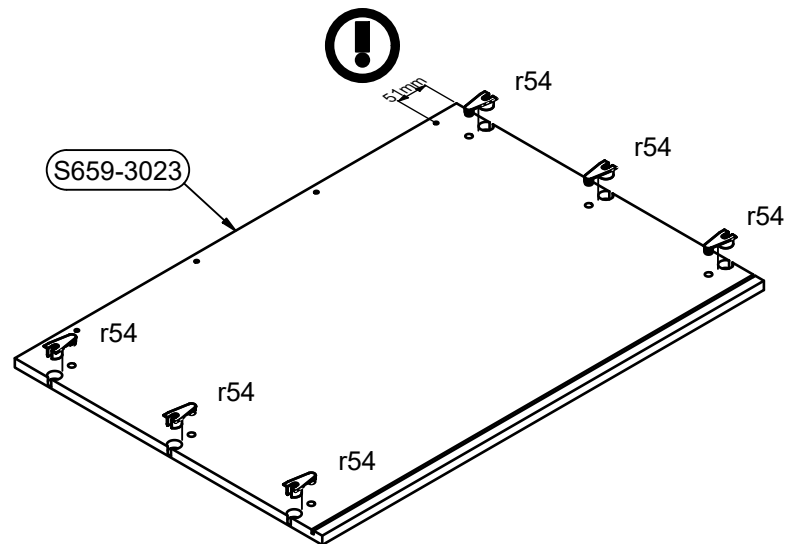
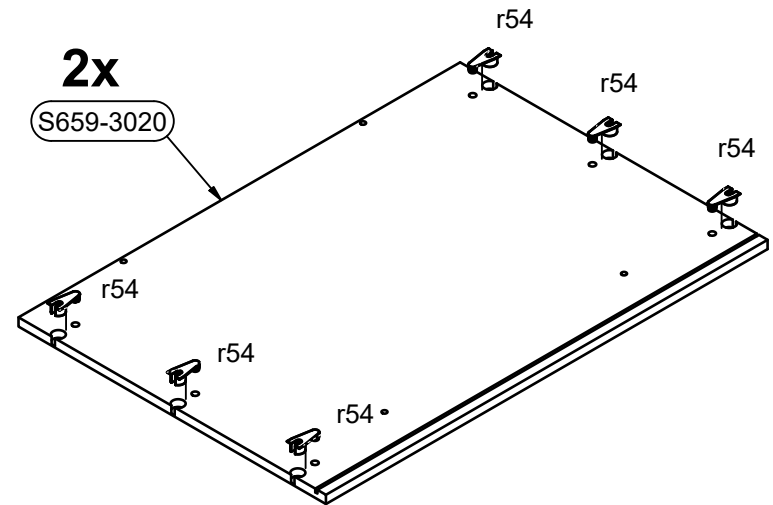
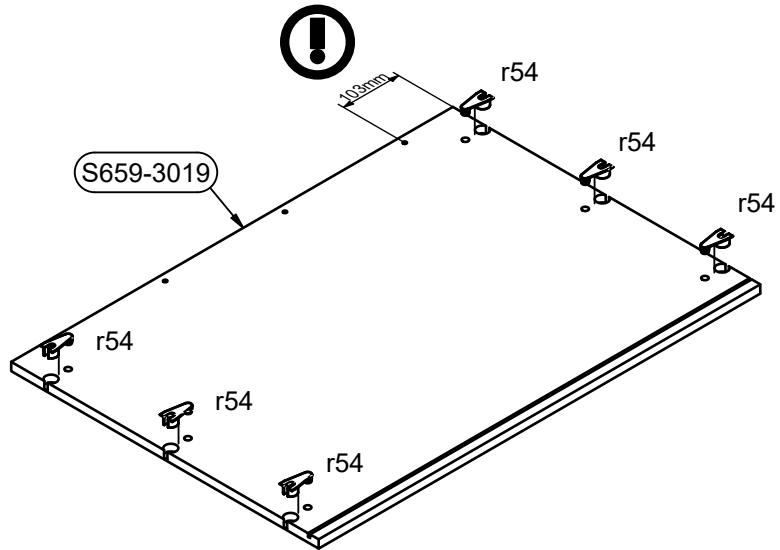
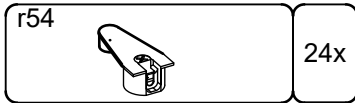
2






r37 	12x	k1 	2x
--	-----	---	----

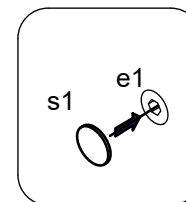
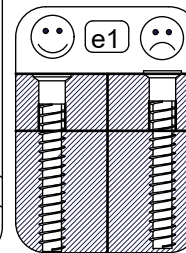
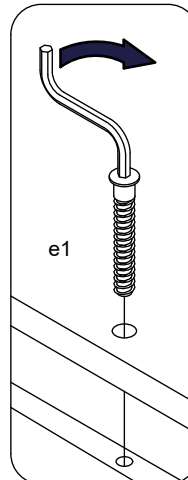
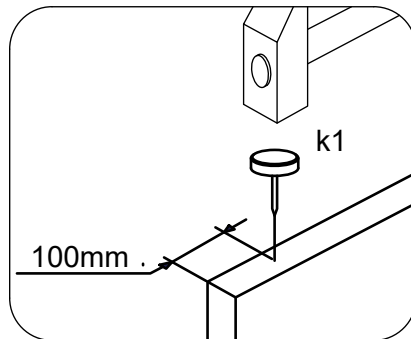
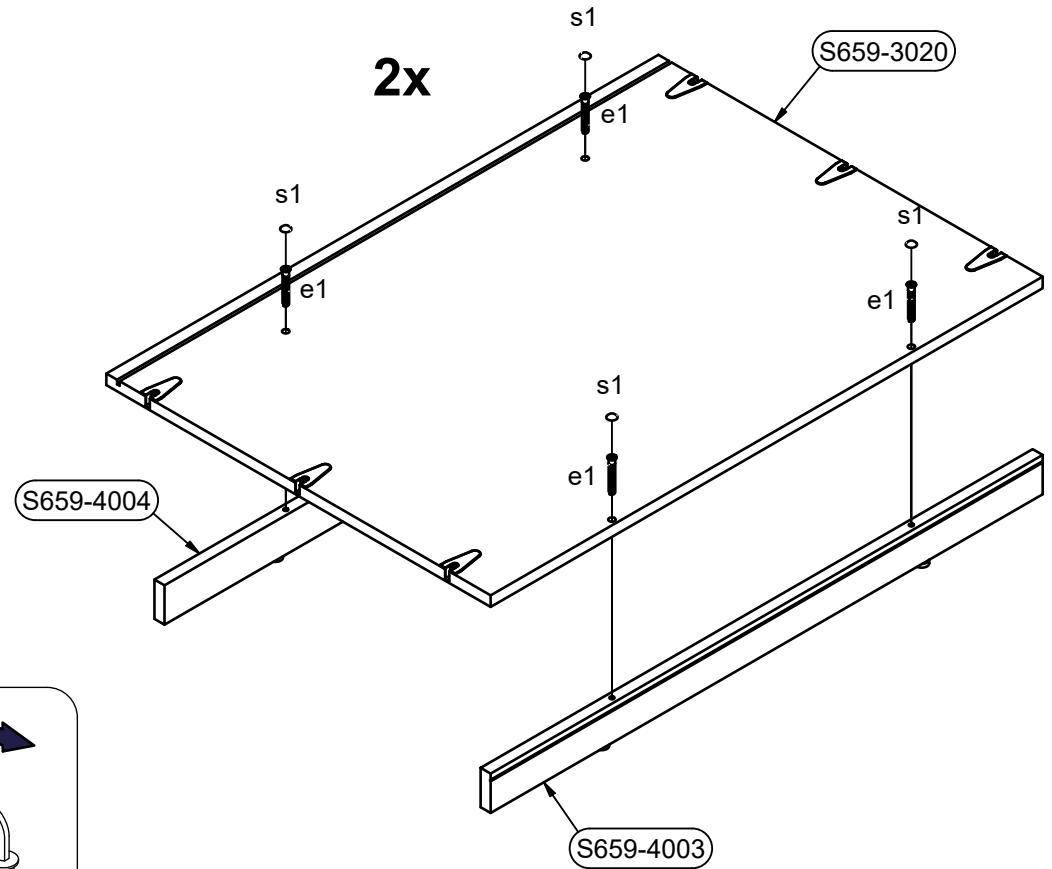
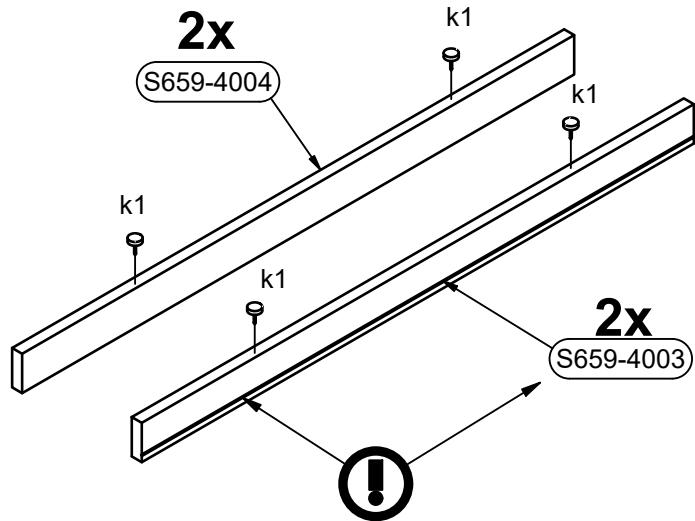


3

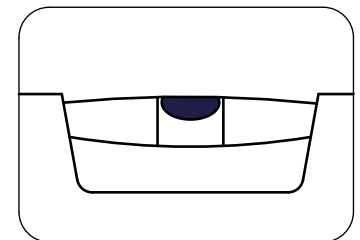
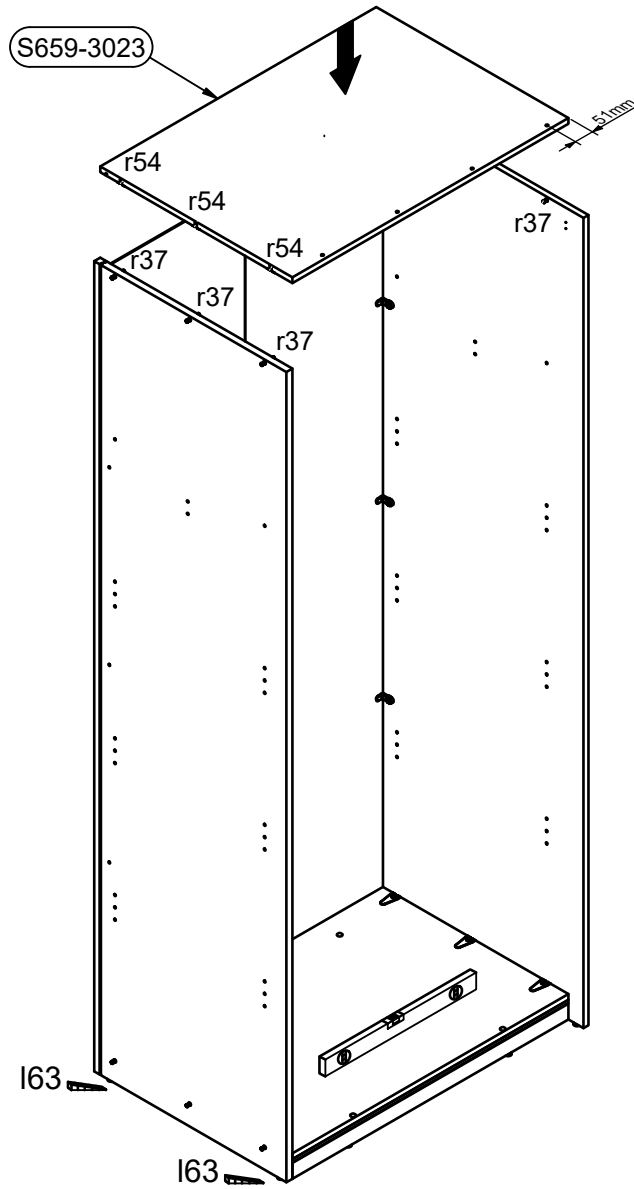
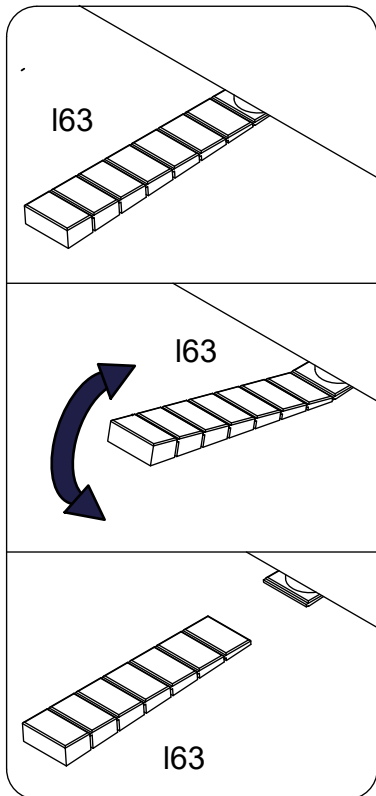
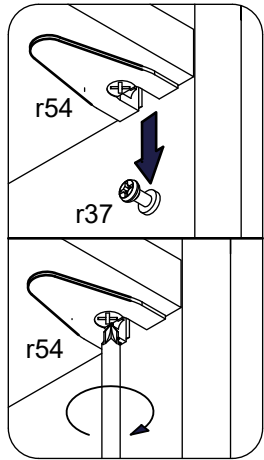


4

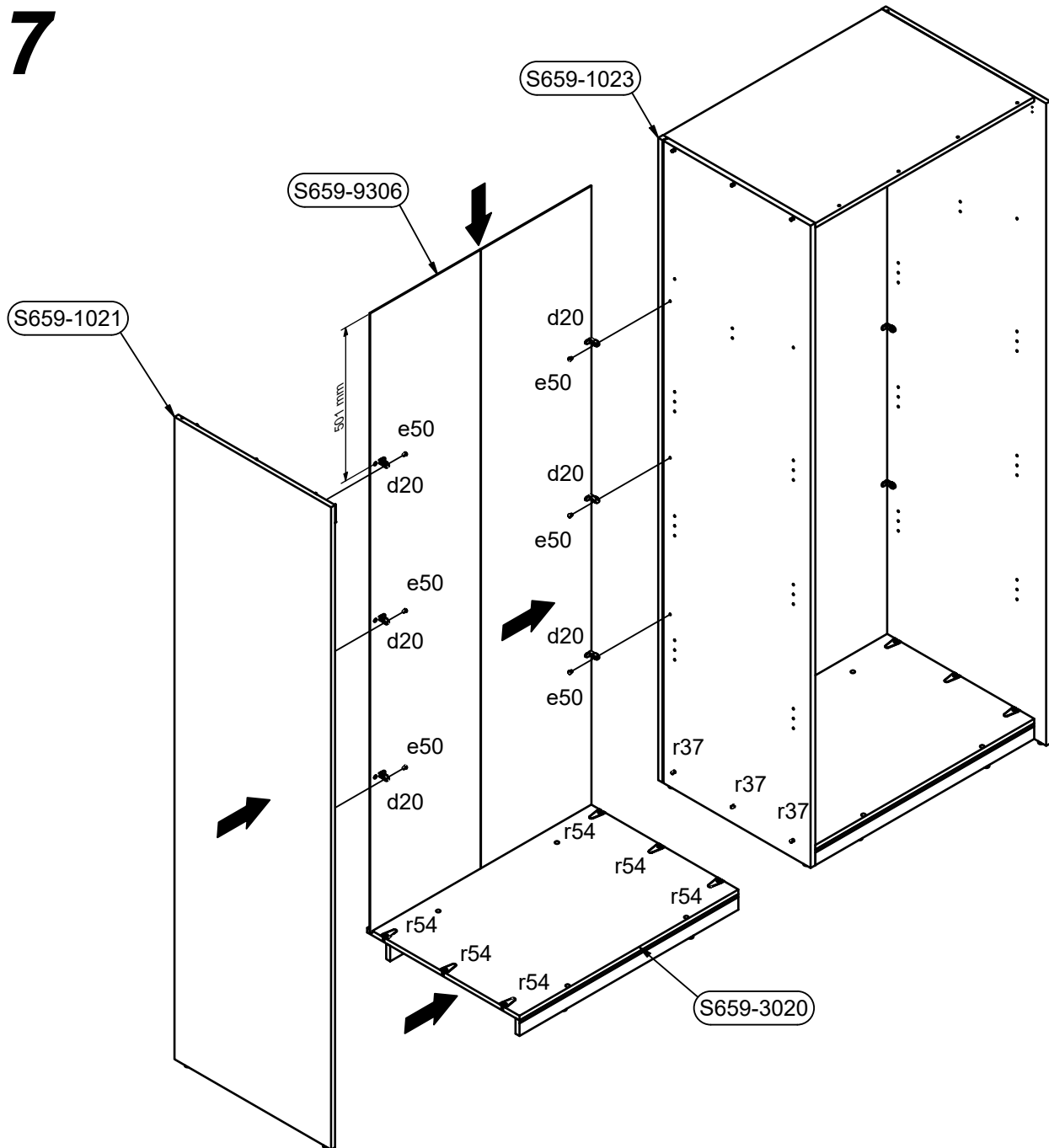
k1 	8x	e1  50mm	8x	s1  Ø12mm	8x
---	----	---	----	---	----





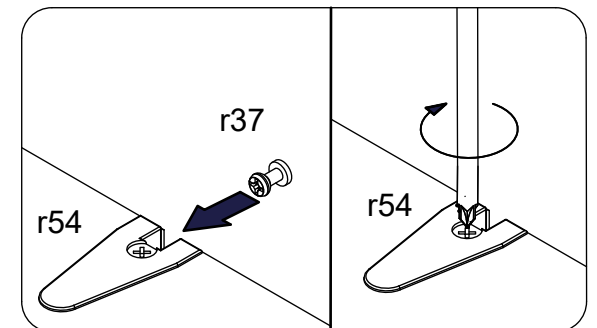
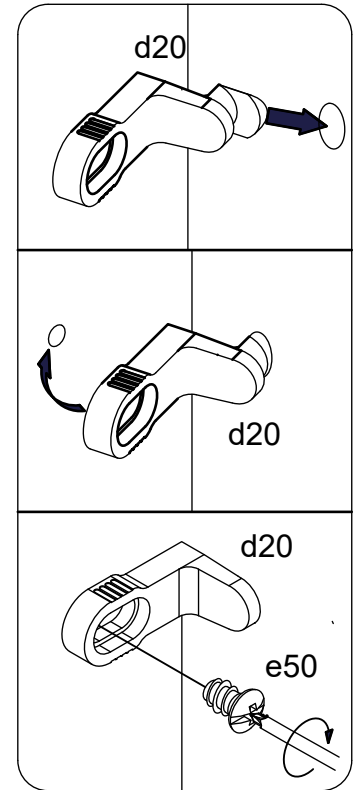
6



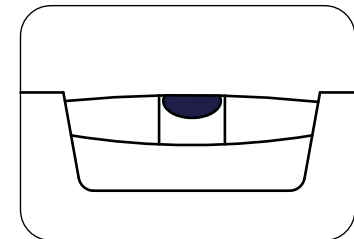
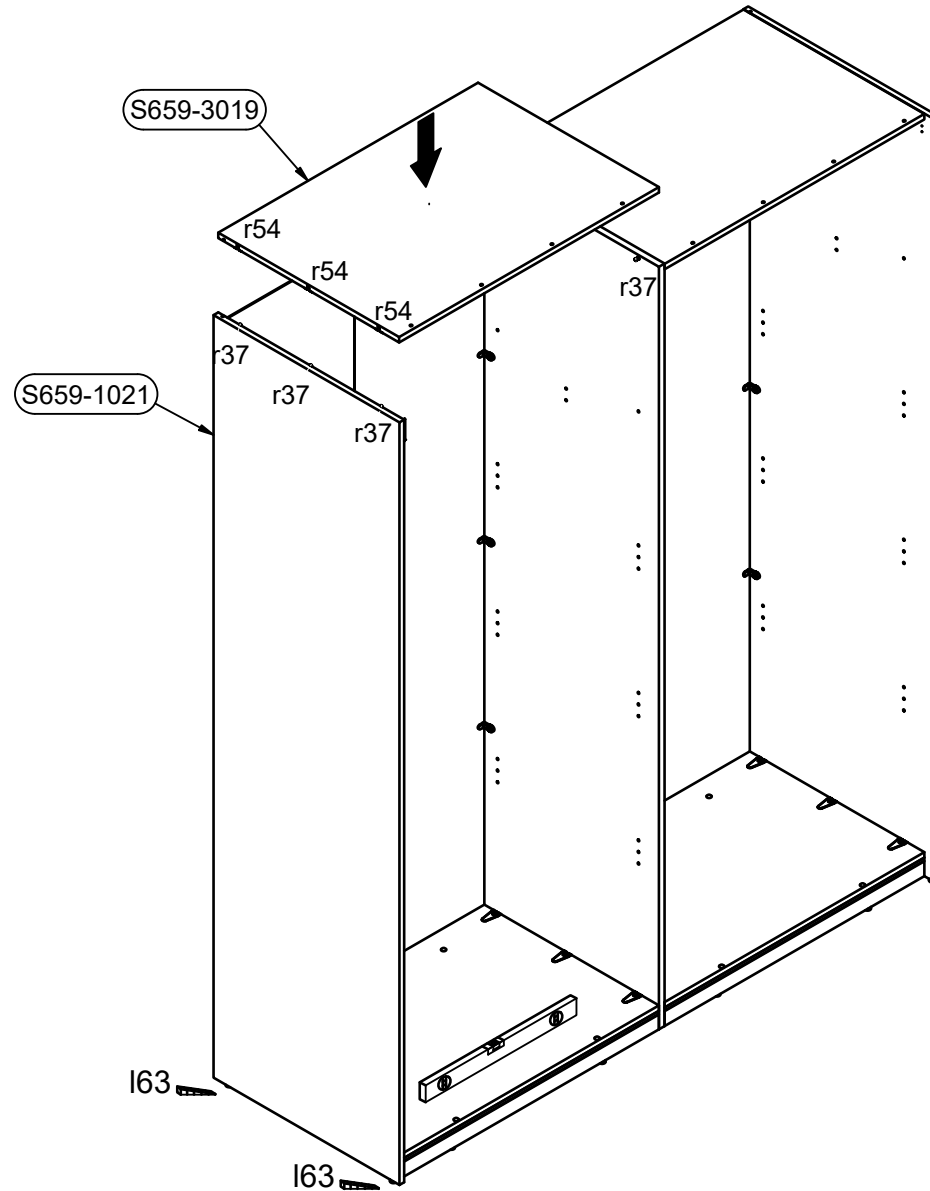
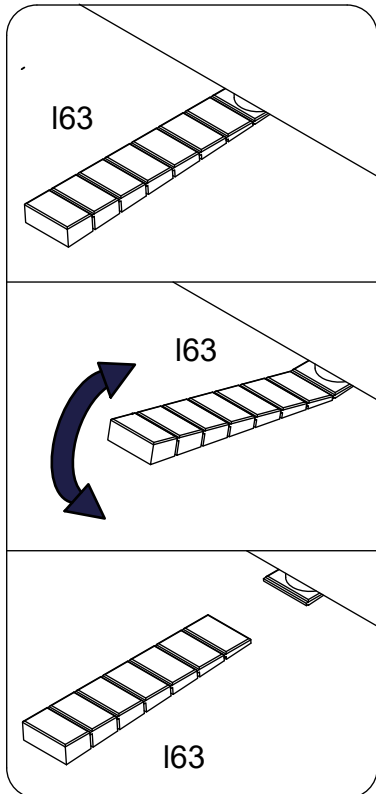
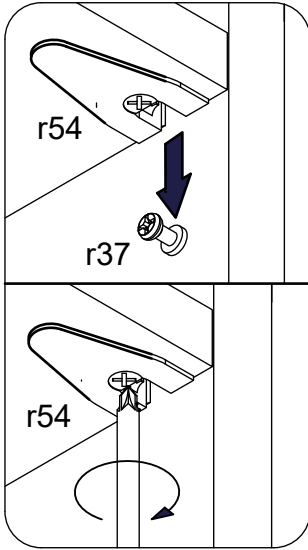
7



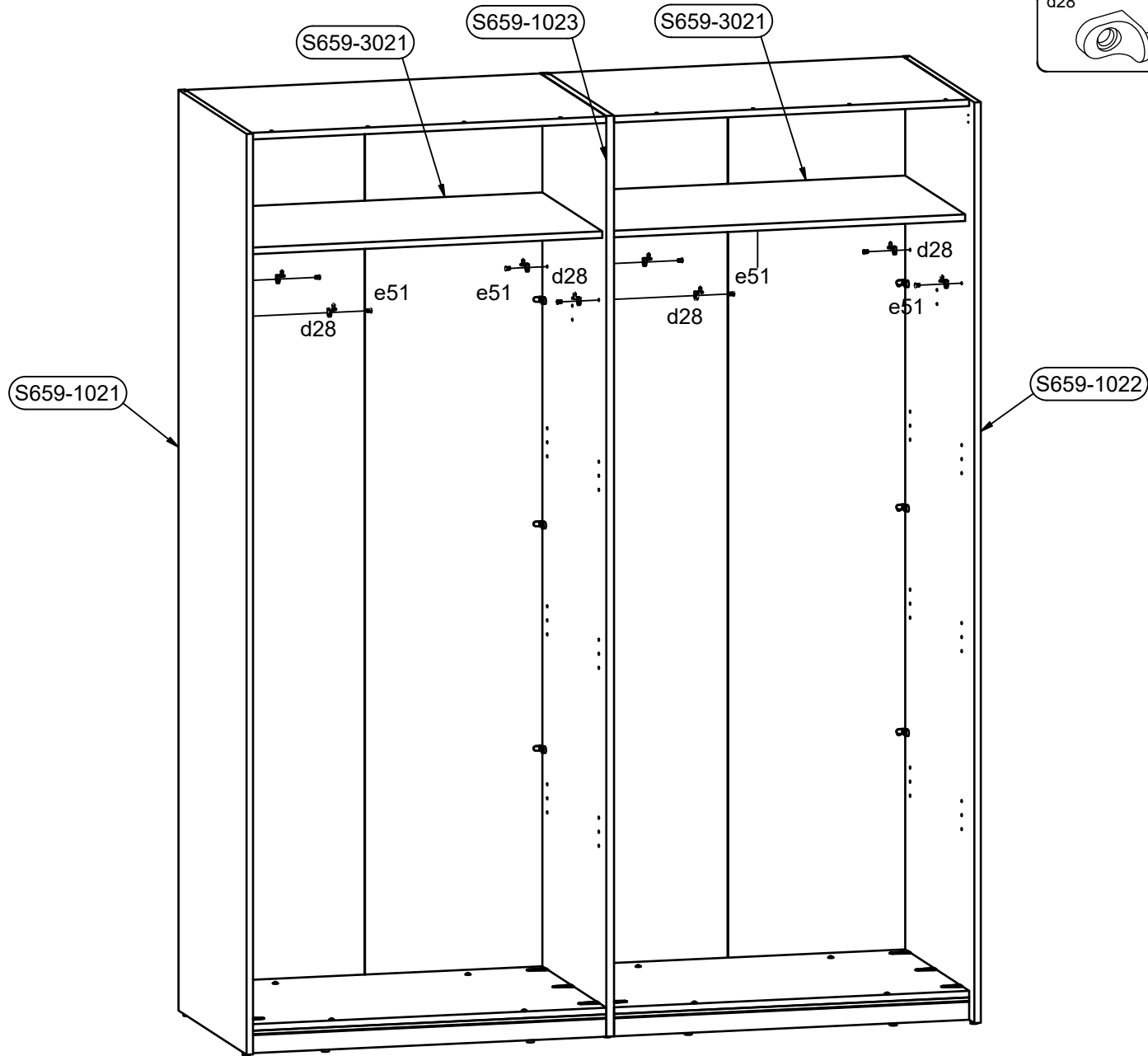
e50 	6.3x10	6x	d20 	6x
--	--------	----	--	----





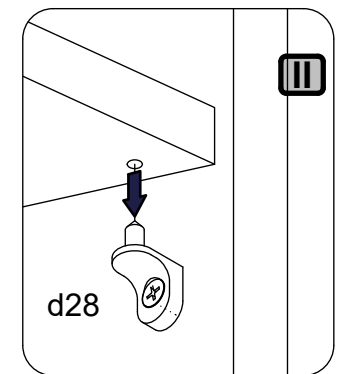
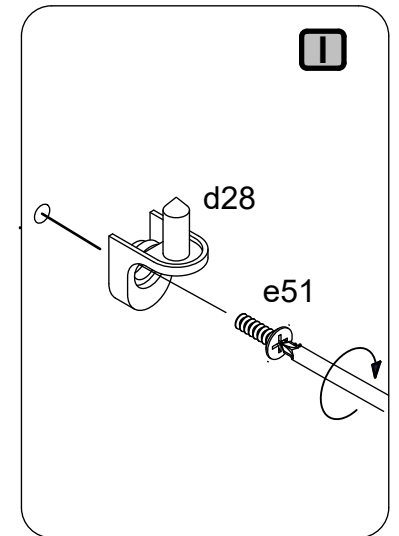
8



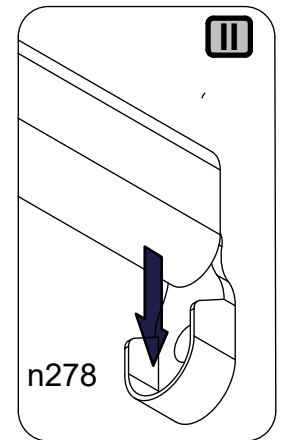
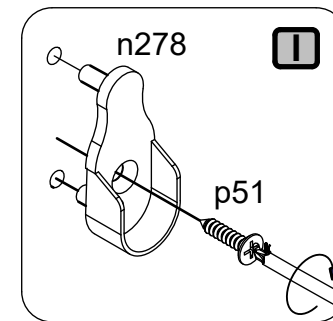
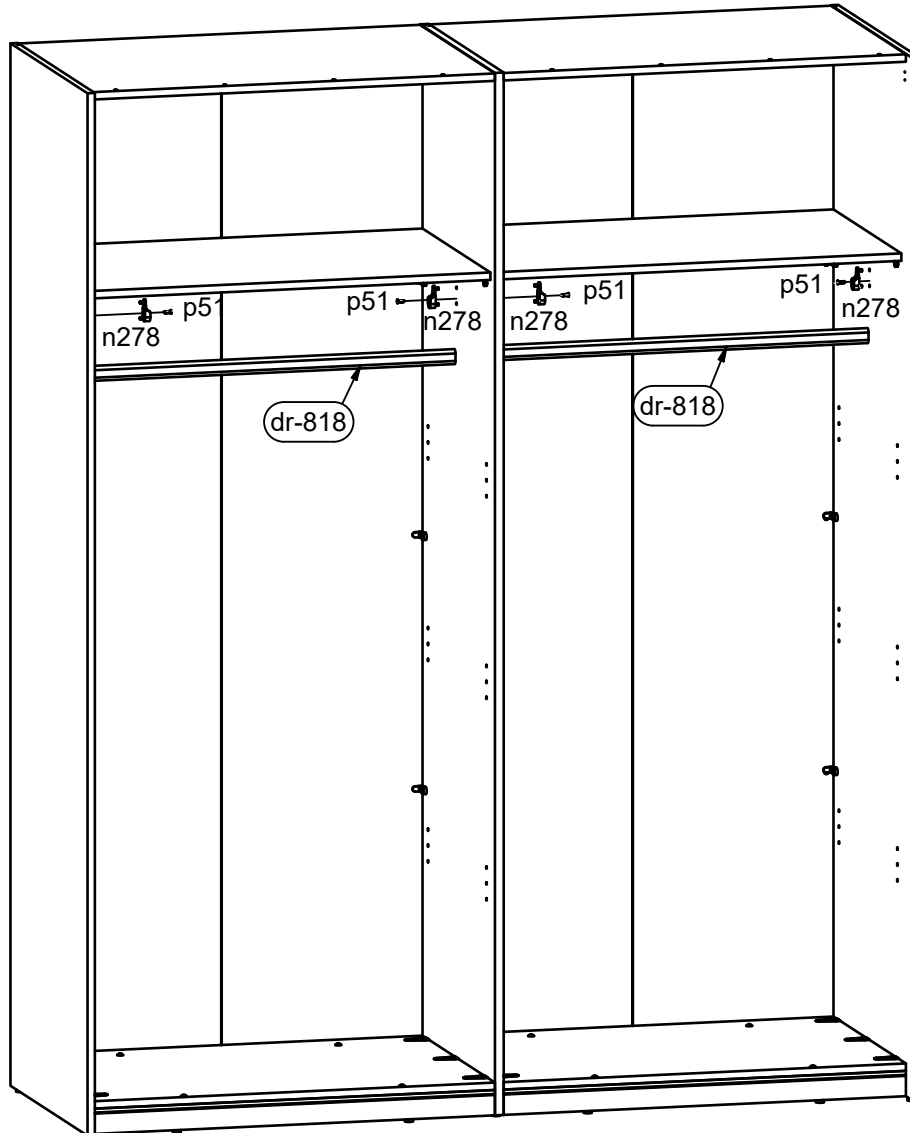
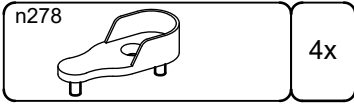
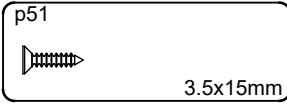
9



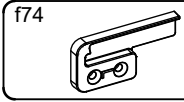
d28		8x	e51		8x
			6.3x10		



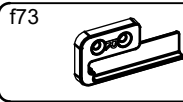
10



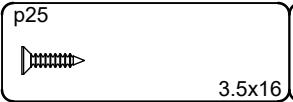
11



1x



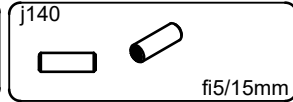
1x



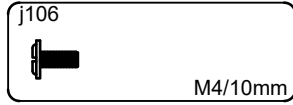
4x



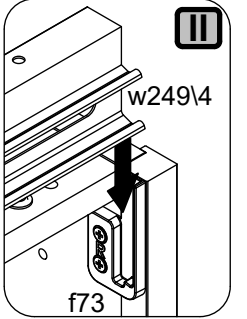
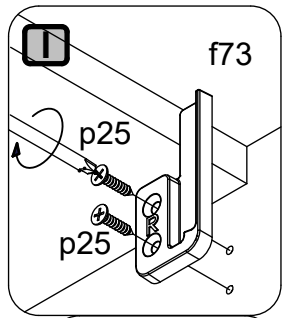
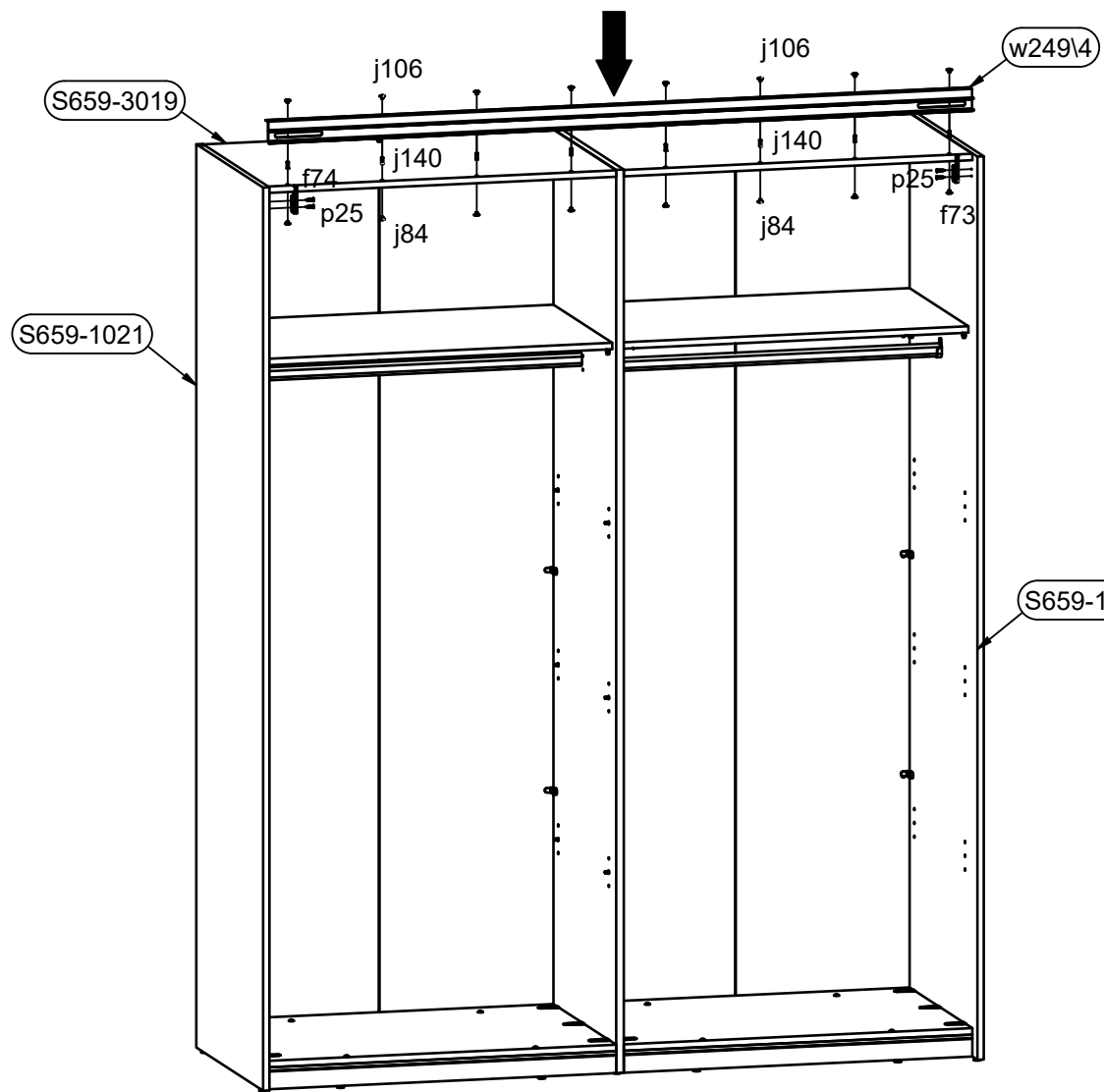
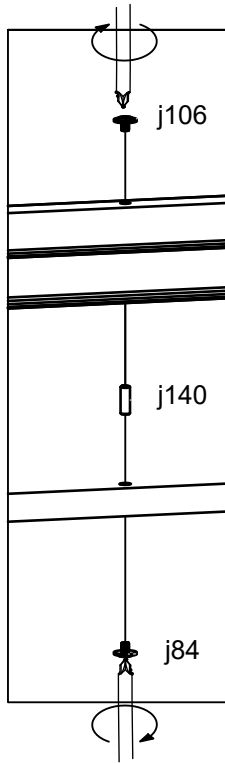
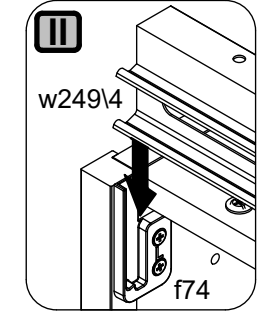
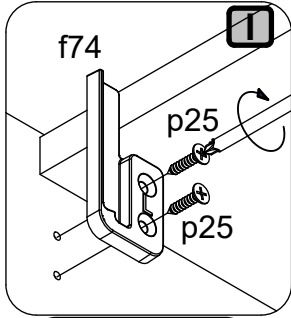
8x



8x

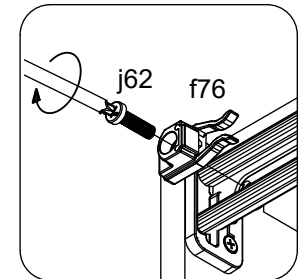
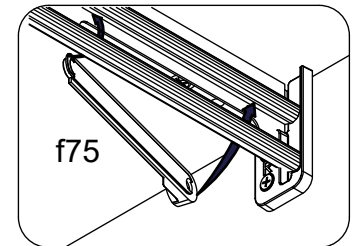
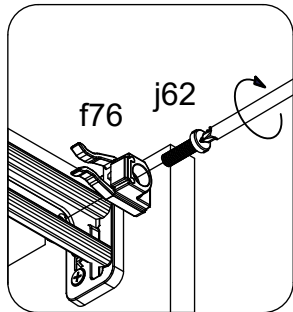
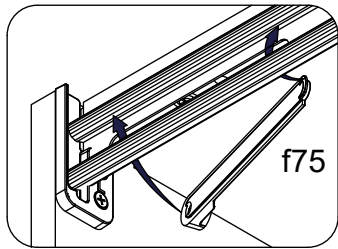
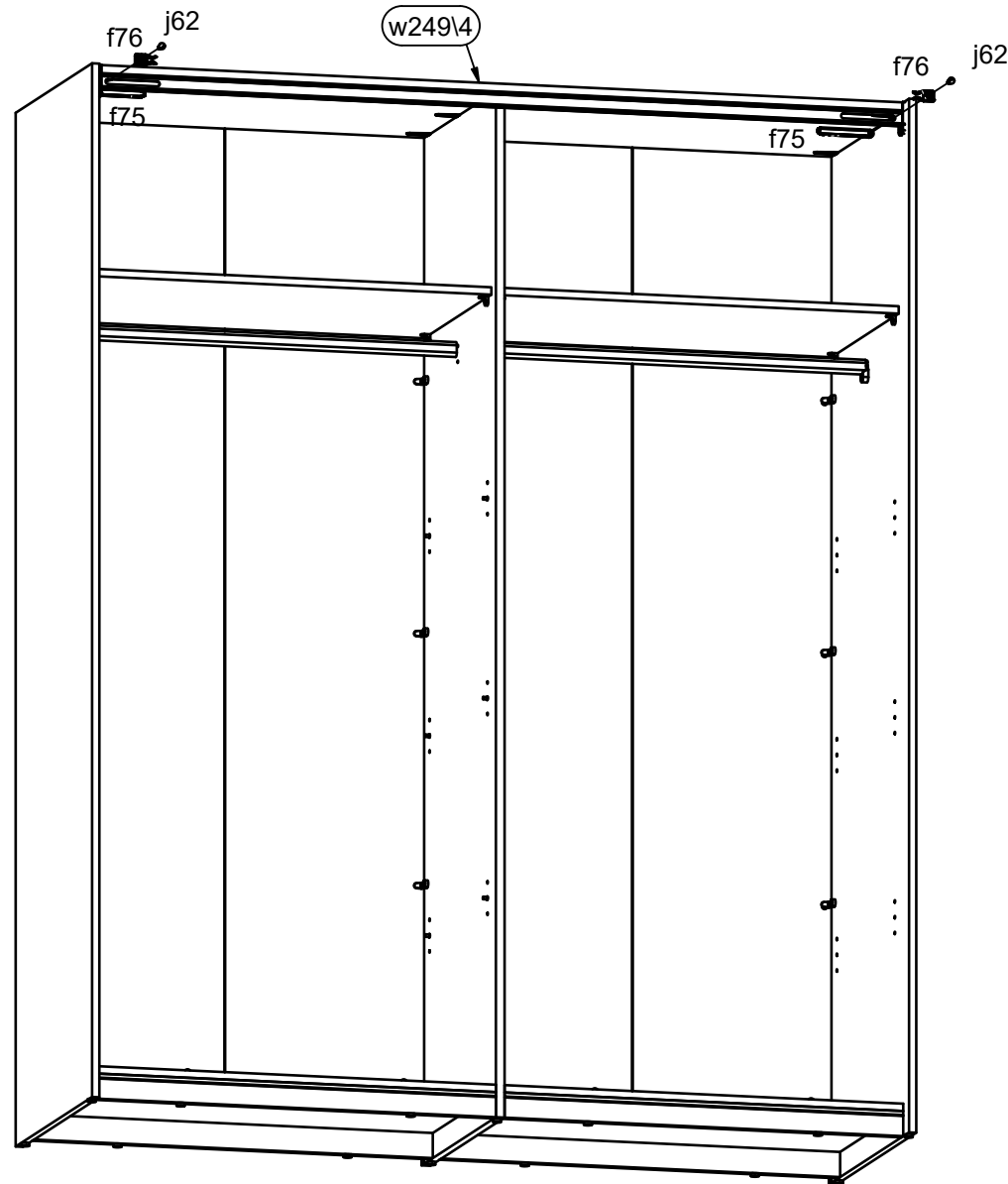


8x


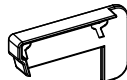
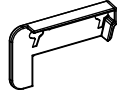



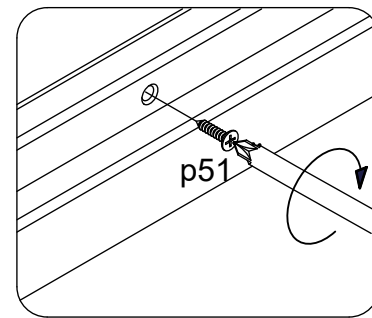
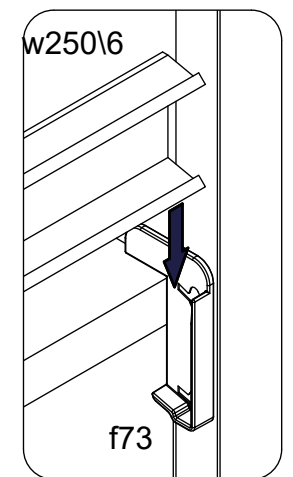
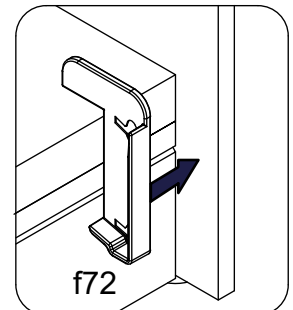
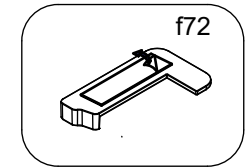
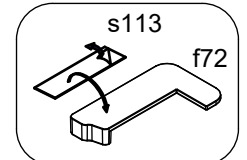
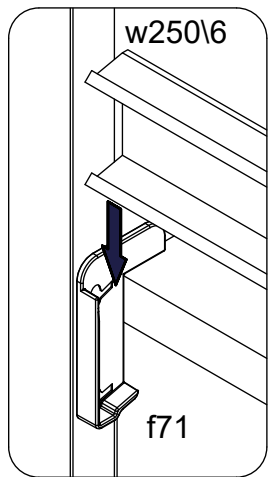
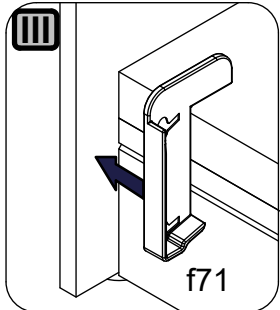
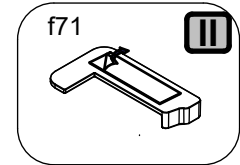
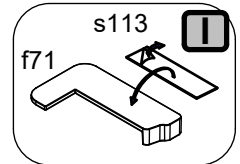
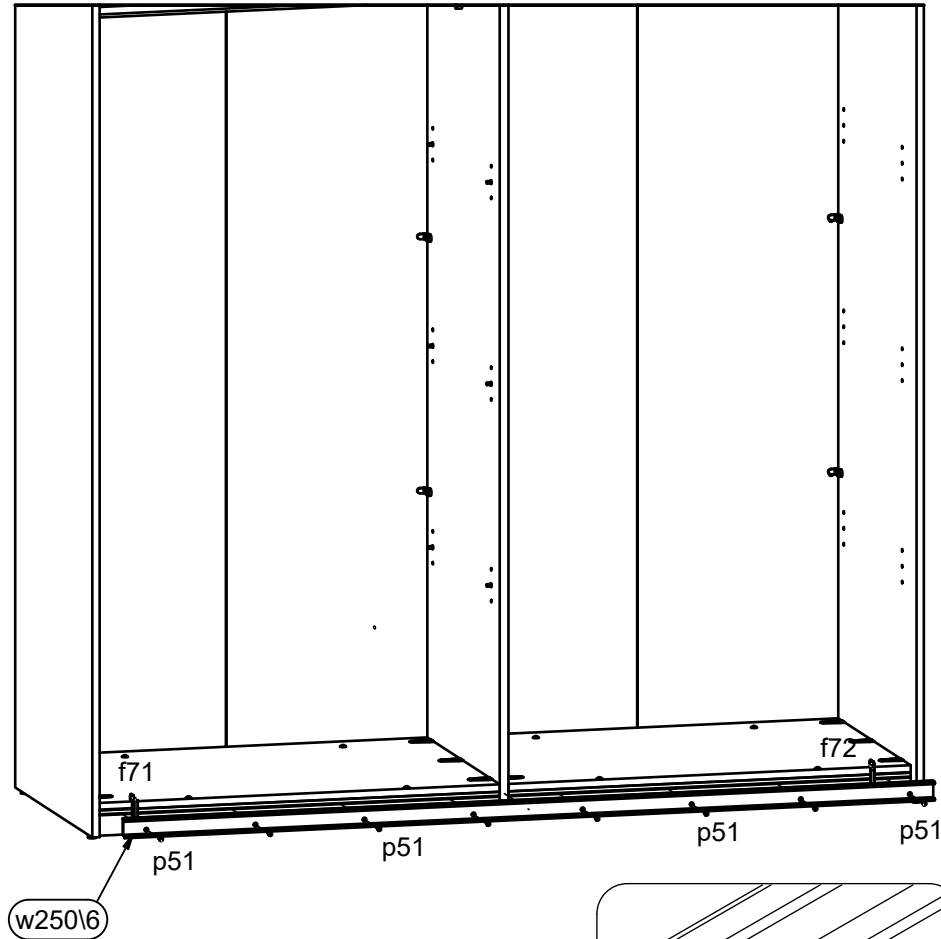
12

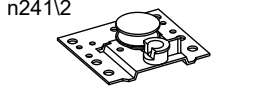
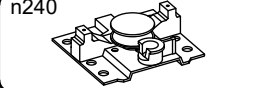



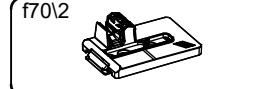
 <p>j62 M6x20mm</p>	<p>2x</p>	 <p>f75</p>	<p>2x</p>	 <p>f76</p>	<p>2x</p>
--	-----------	--	-----------	--	-----------

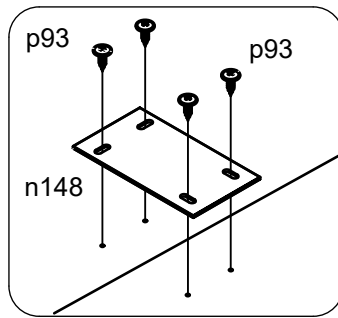
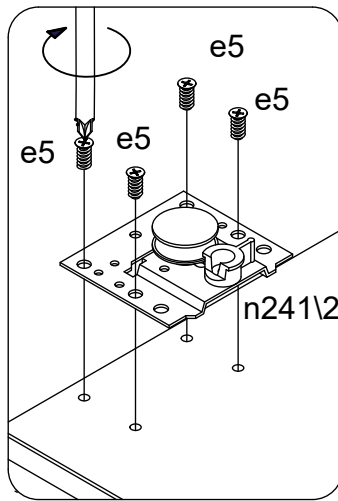
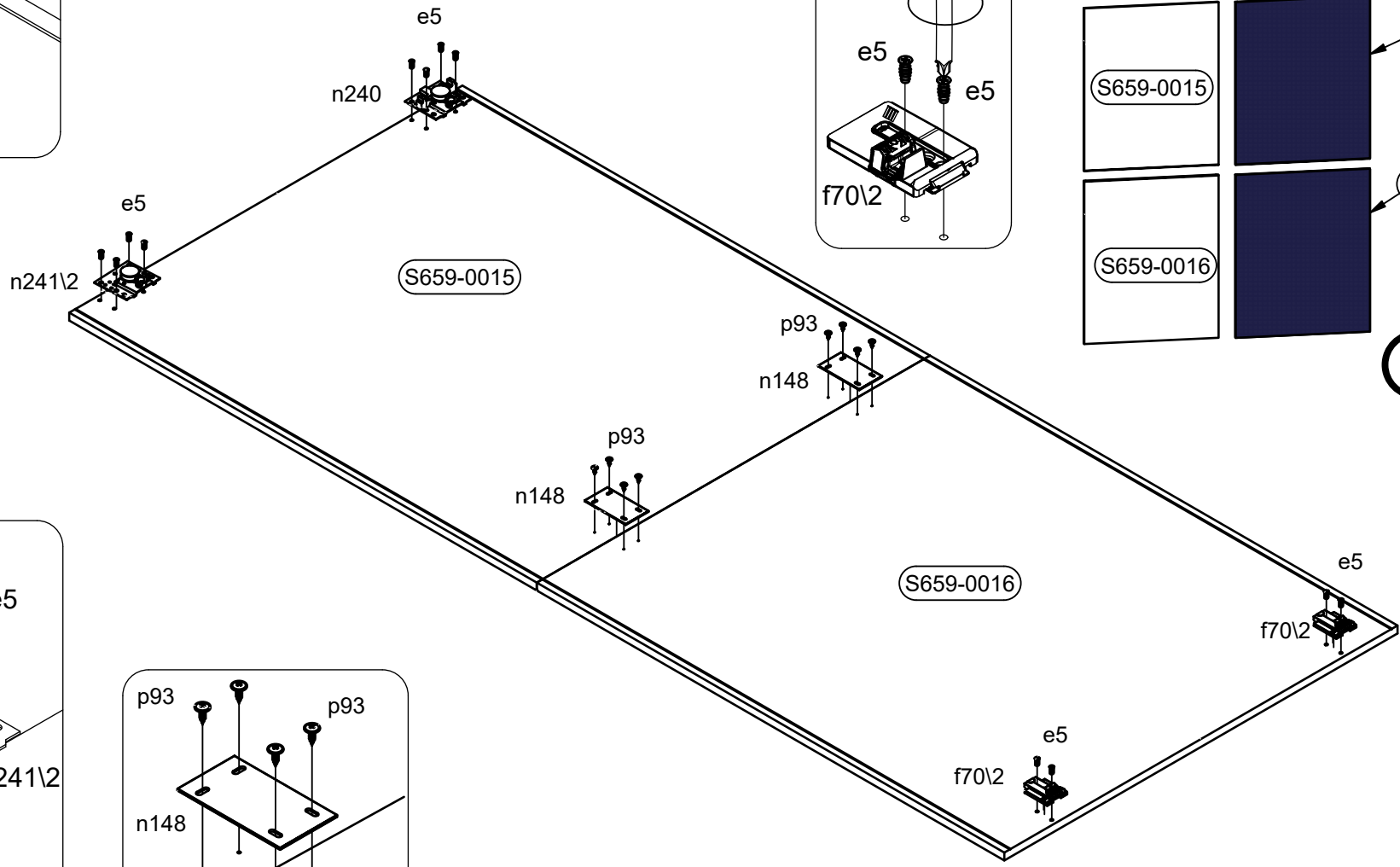
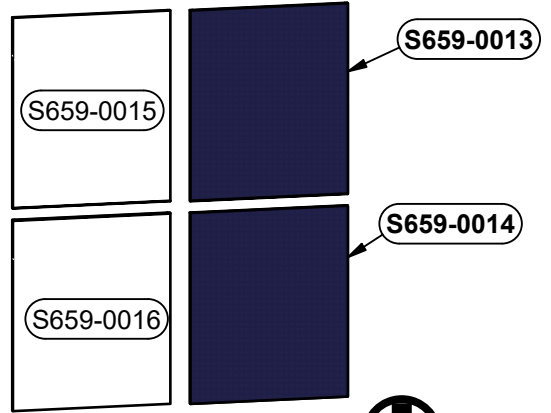
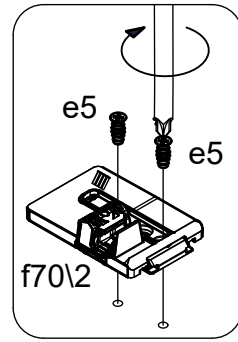
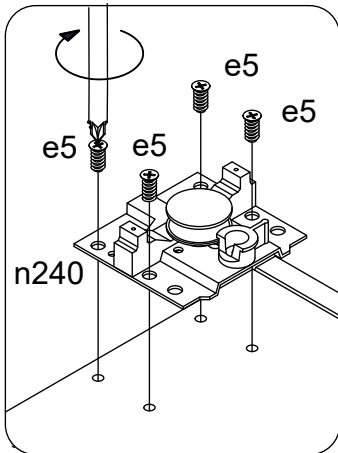


13


s113 	2x	f71 	1x	f72 	1x	p51 	8x	3.5x15mm
--	----	---	----	---	----	---	----	----------

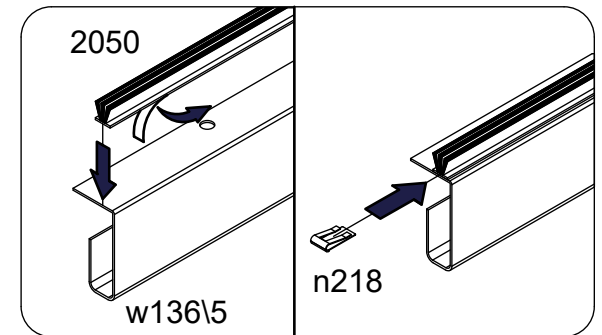
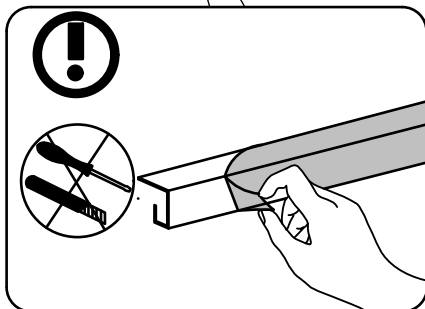
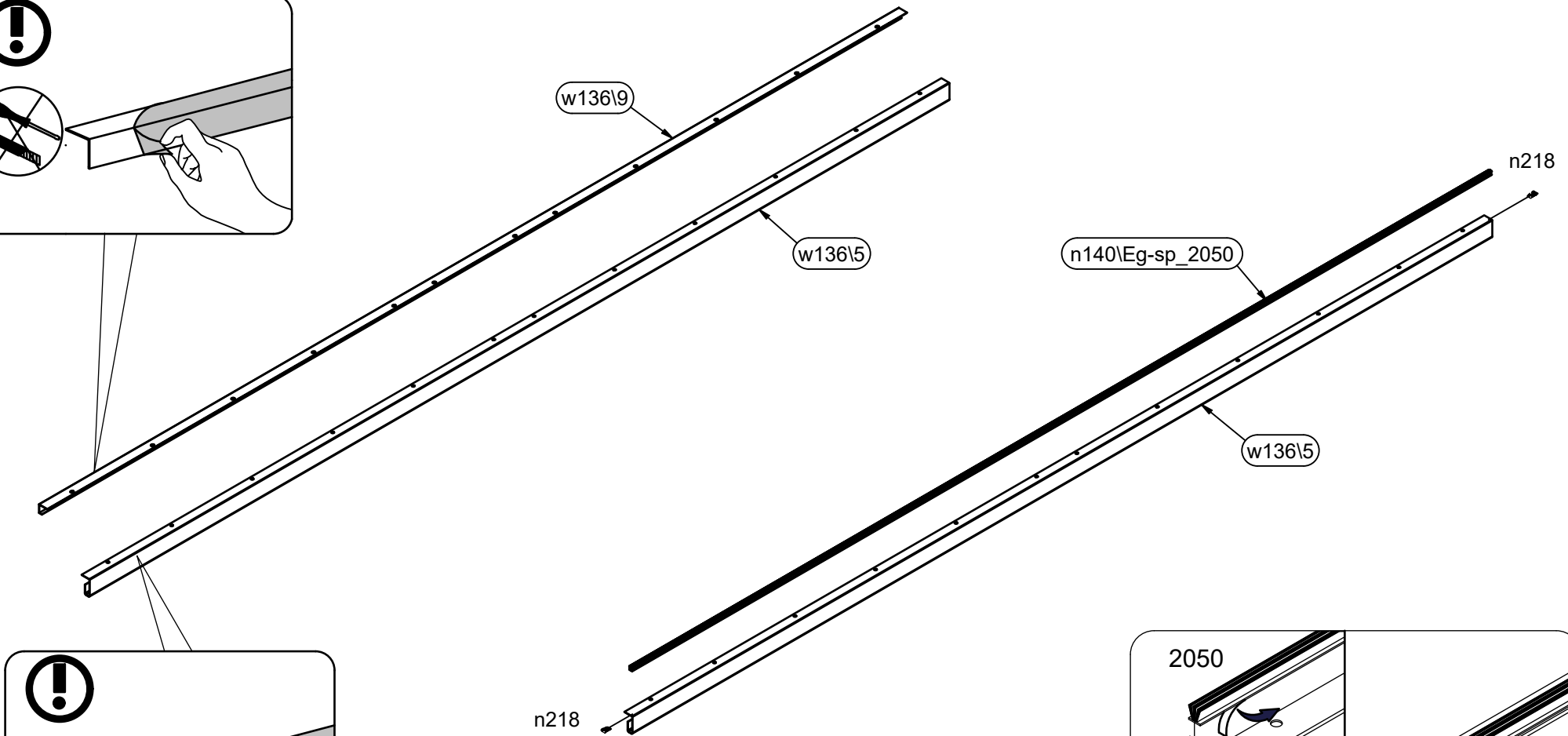
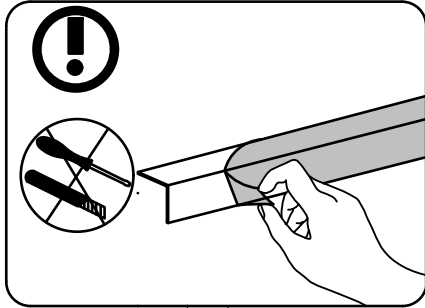


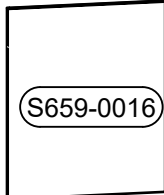
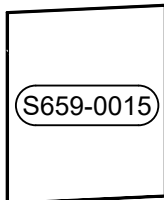
- | | | | | | | | |
|--|----|---|----|---|----------|---|----|
|  n241\2 | 1x |  n240 | 1x |  p93 | 8x |  n148 | 2x |
| | | | | | 4x13 | | |
| | | | |  e5 | 12x |  f70\2 | 2x |
| | | | | | 6.3x13mm | | |



15

n218 	6x
---	----



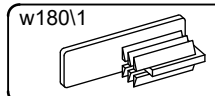


S659-0013

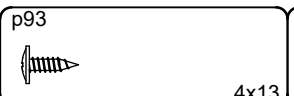
S659-0014

S659-0015

S659-0016



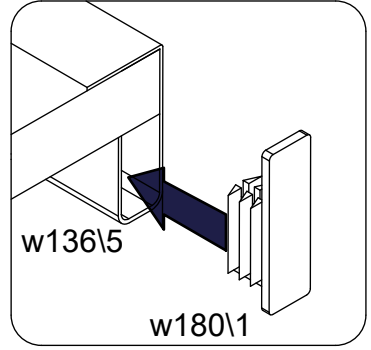
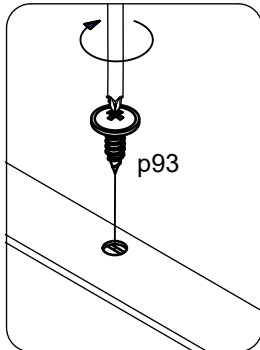
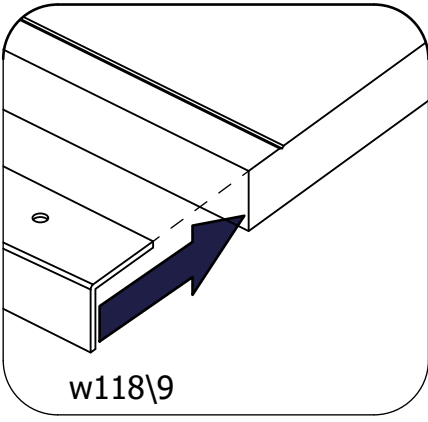
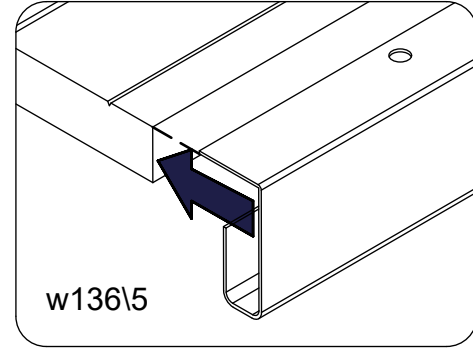
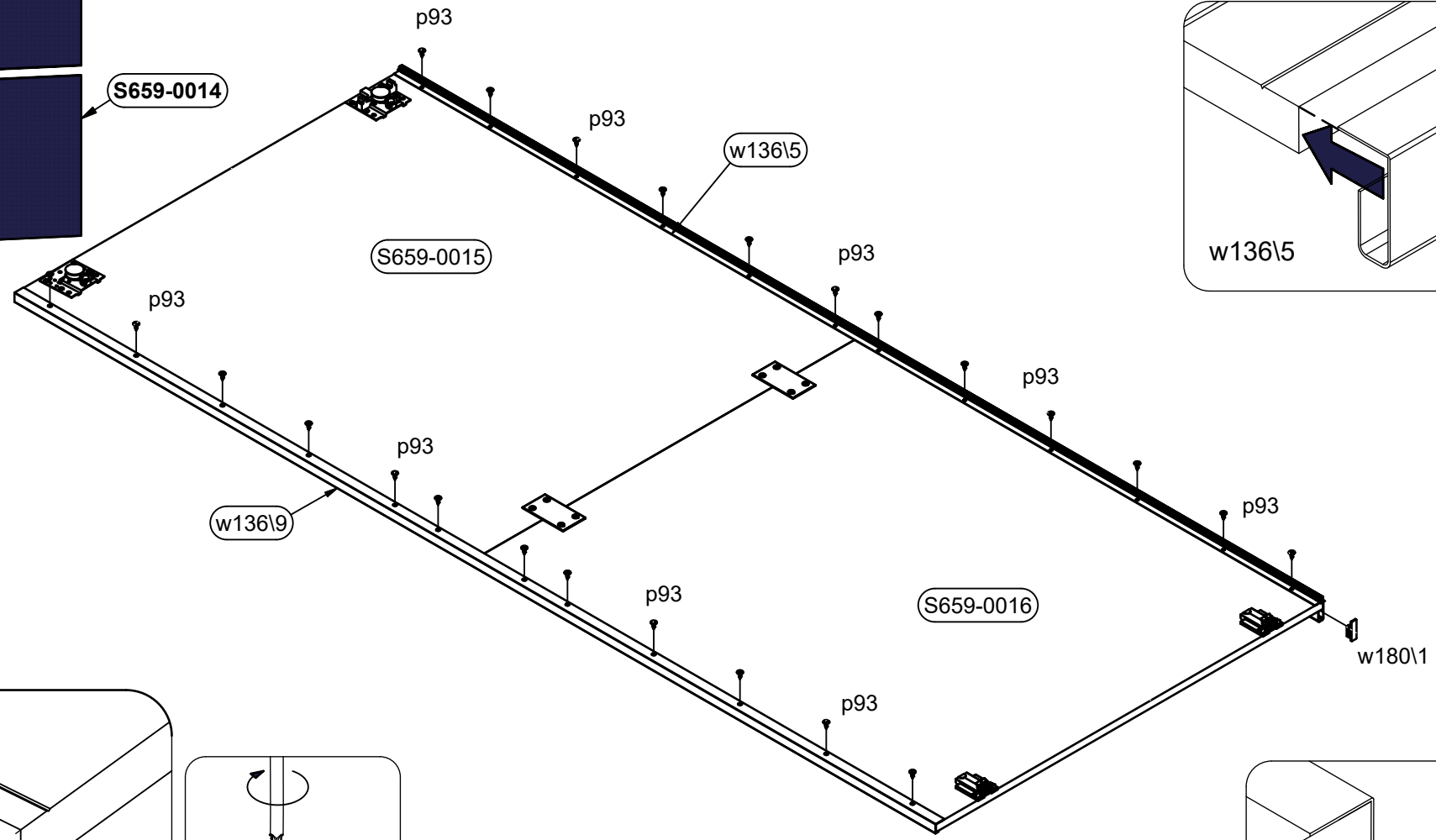
1x

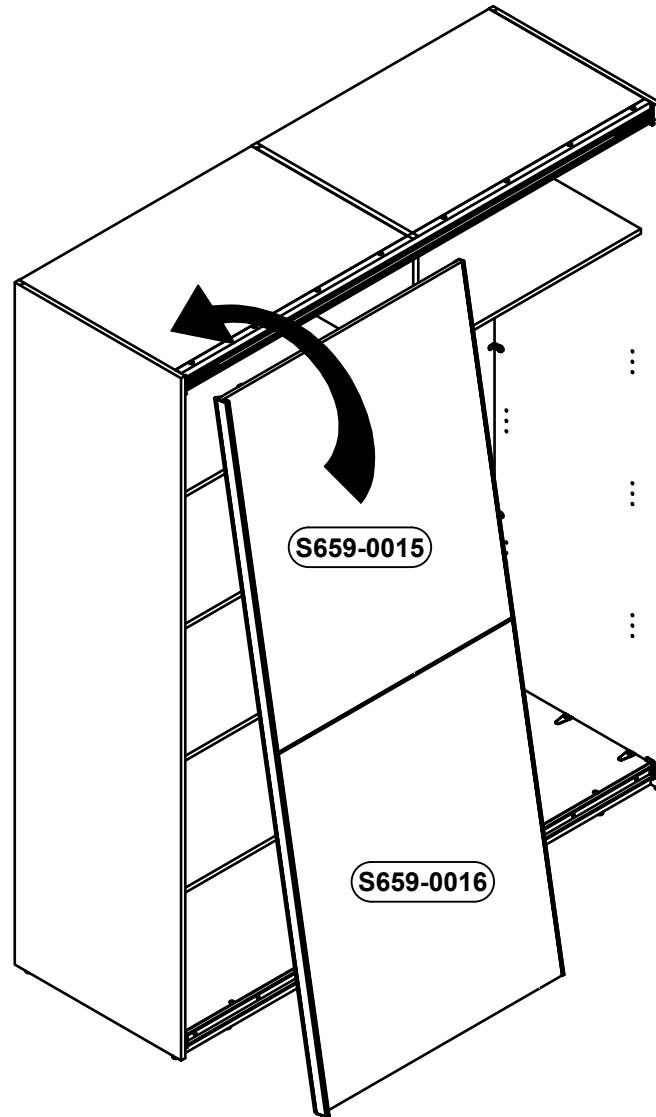
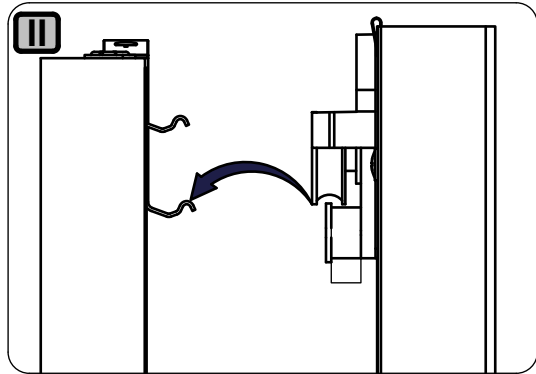
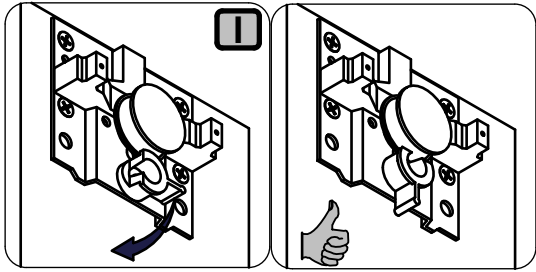


24x

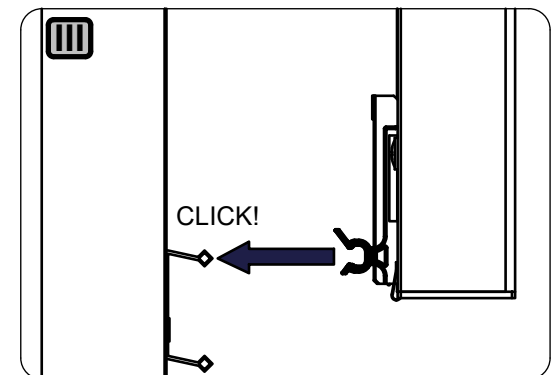
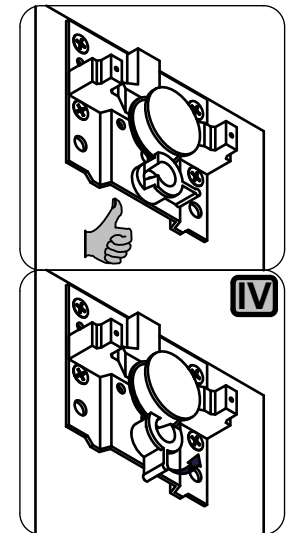
16

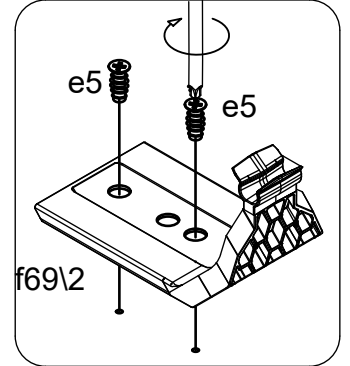
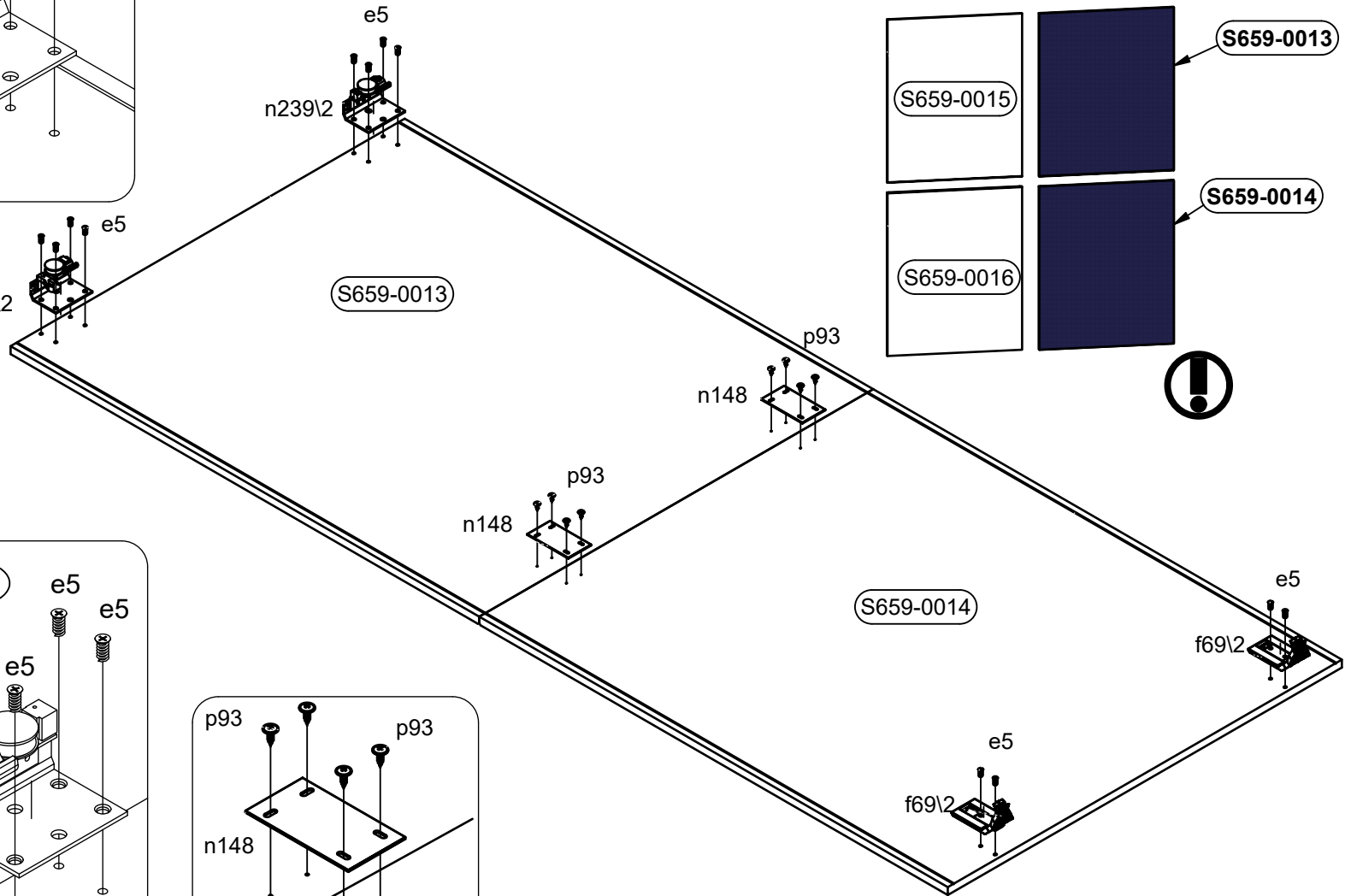
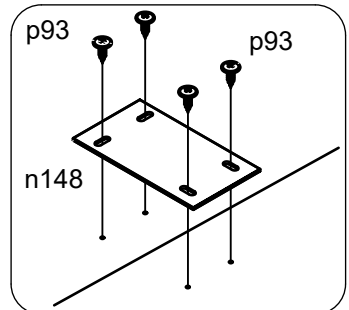
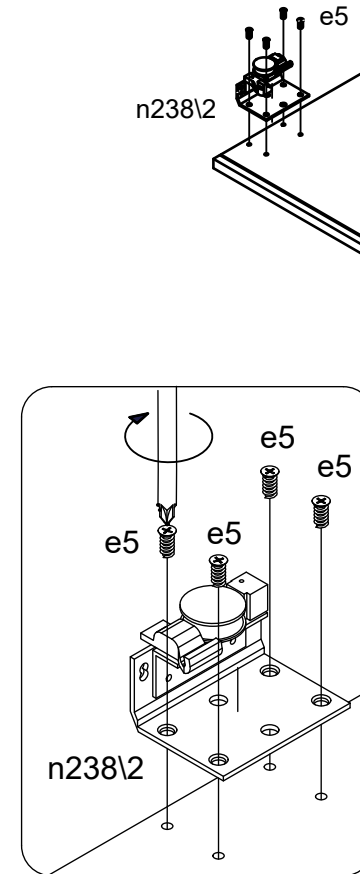
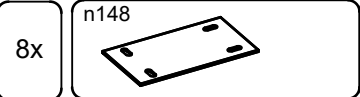
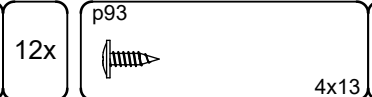
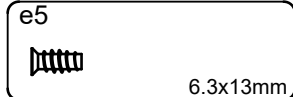
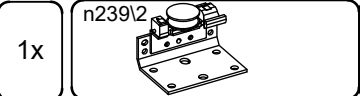
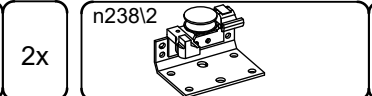
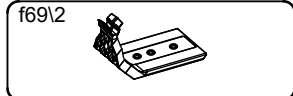
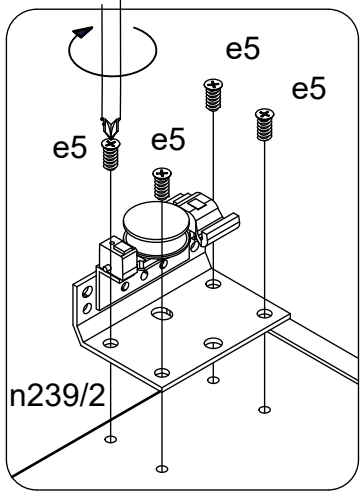
4x13



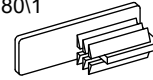


17





w180\1



2x

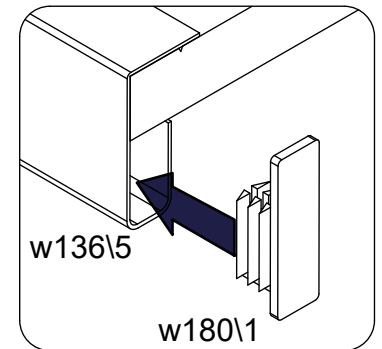
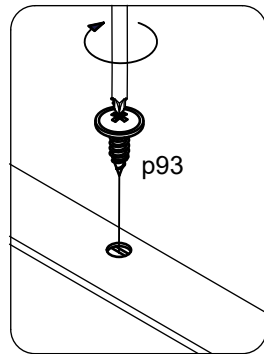
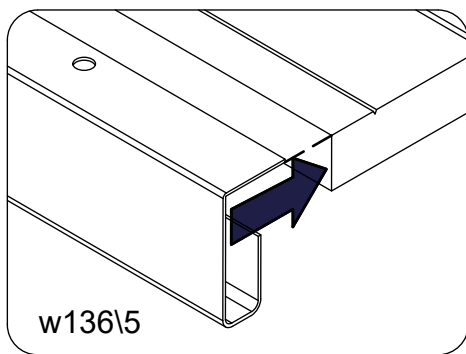
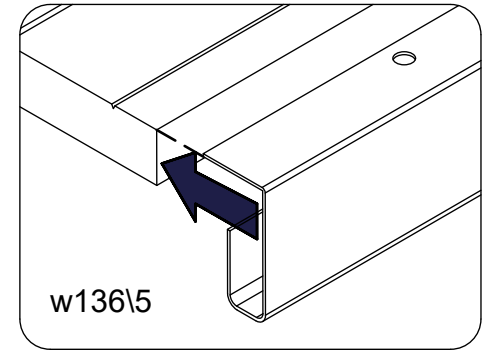
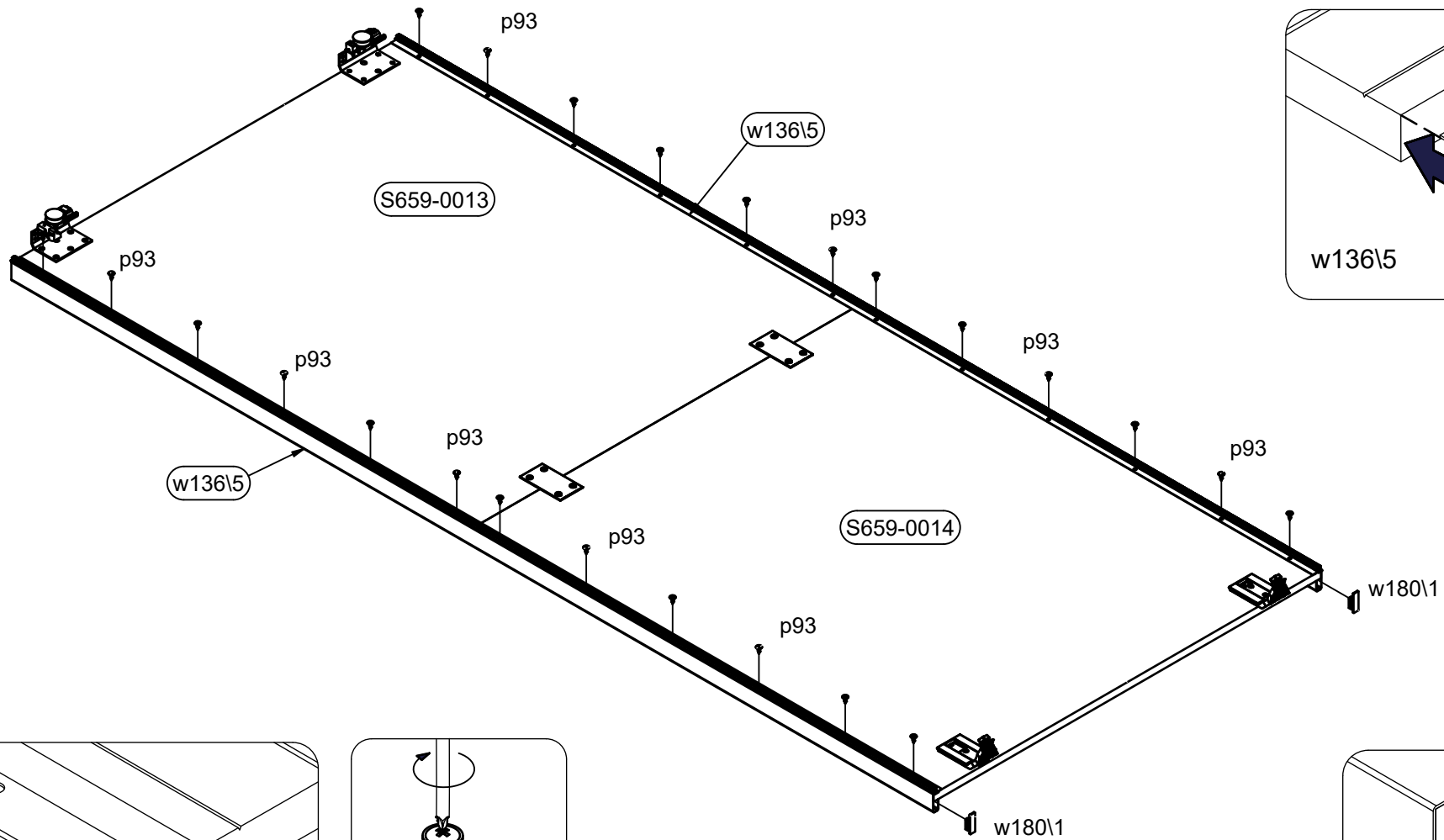
p93

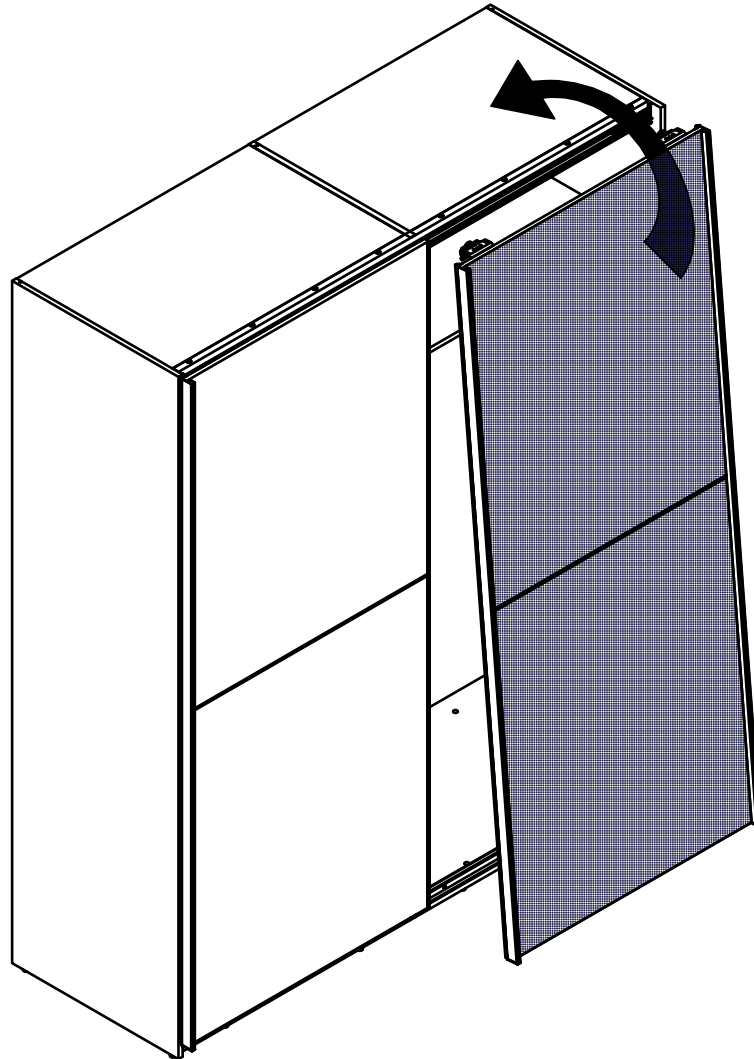
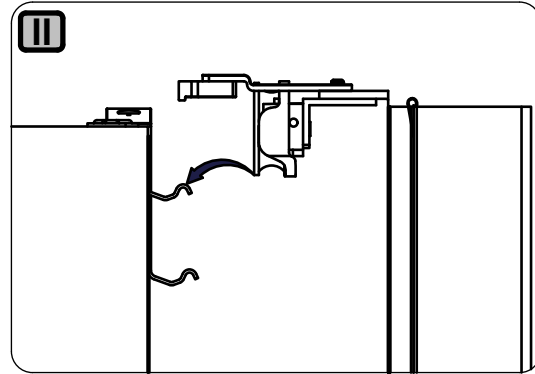
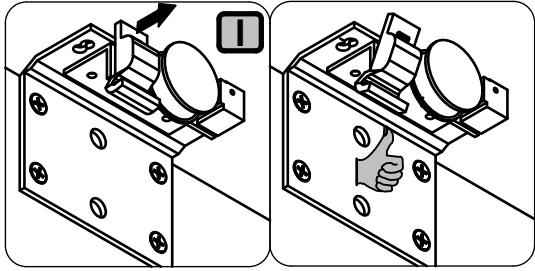


4x13

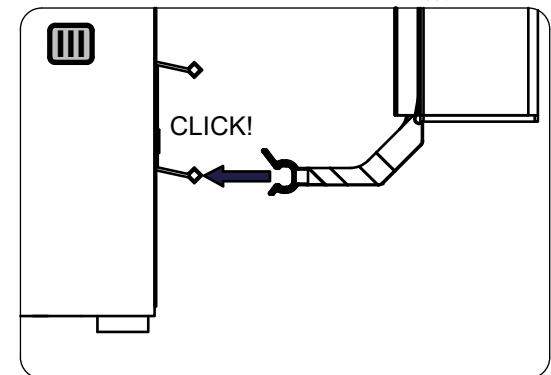
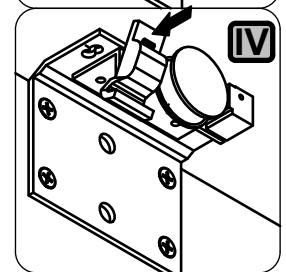
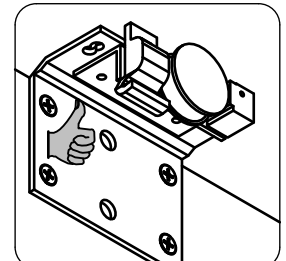
24x

19

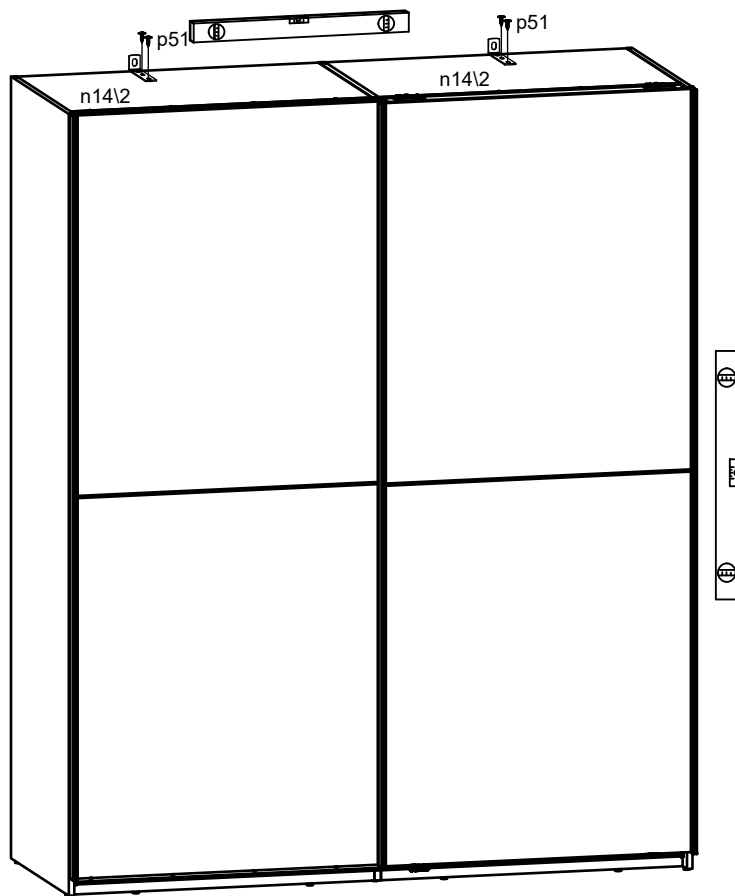
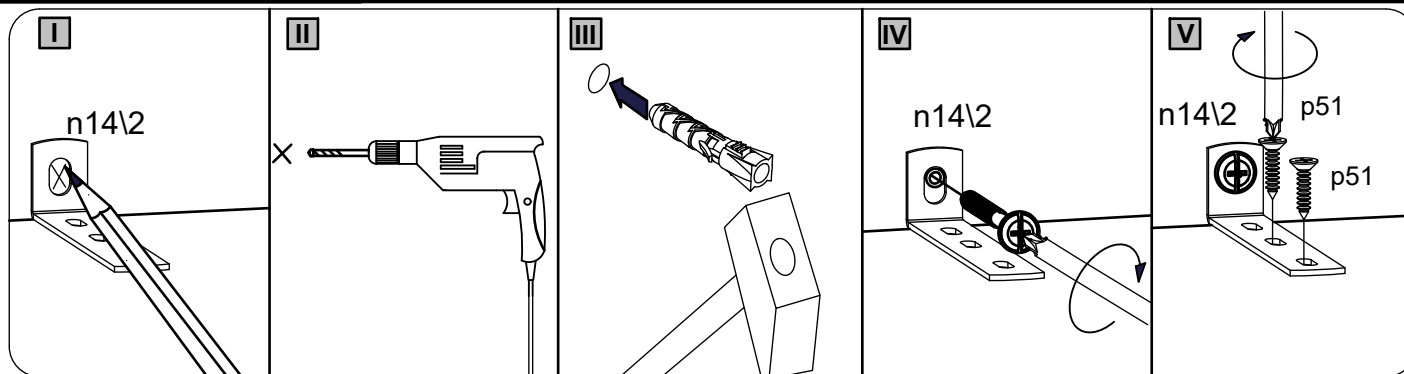
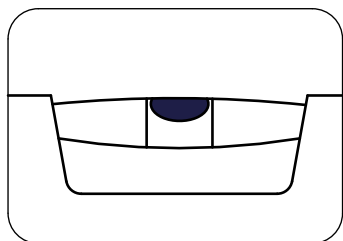




20



21



n14/2	2x
p51	4x
3.5x15mm	

