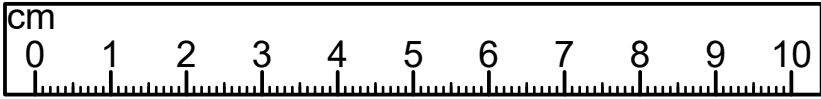
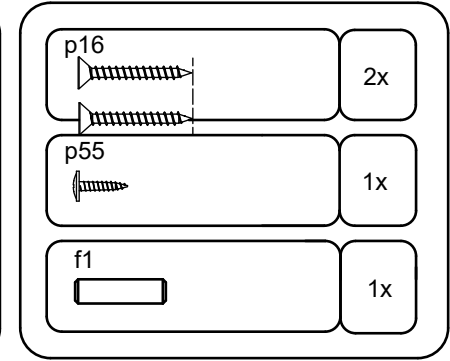
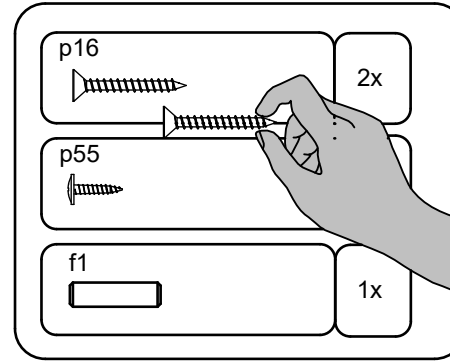
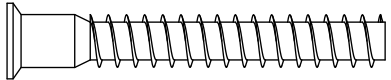
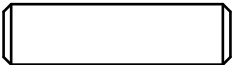

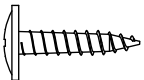

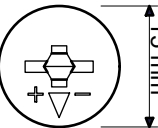
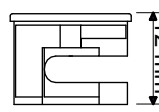

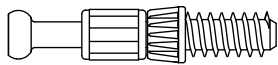


B1	B2	C1	C2	C3	C4	D
S620-0017	-7	1888	196	16	1	1/2
S620-1041	-	1896	398	16	1	2/2
S620-1042	-	1896	382	16	1	2/2
S620-1043	-1	1896	346	16	1	1/2
S620-2023	-	701	400	18	1	2/2
S620-2024	-	701	400	18	1	2/2
S620-3028	-	365	346	16	1	2/2
S620-3029	-	286	340	16	1	1/2
S620-3030	-	364	340	16	3	1/2
S620-3031	-	285	340	16	3	1/2
S620-5060	-9	1888	22	16	5	1/2
S620-7005	-9	1888	250	16	1	1/2
S620-9010	-	1906	299	2,5	1	2/2
S620-9011	-	1906	377	2,5	1	2/2

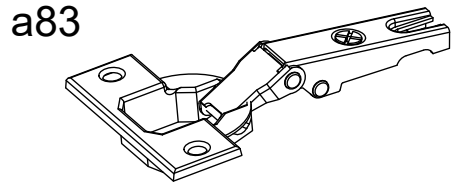


1:1

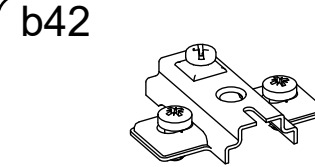


<p>e1</p>  <p>50mm</p>	<p>12x</p>	<p>f1</p>  <p>30mm</p>	<p>20x</p>	<p>p51</p>  <p>3.5x15mm</p>	<p>10x</p>
<p>p55</p>  <p>2.8x16mm</p>	<p>16x</p>	<p>p94</p>  <p>Ø4x28 mm</p>	<p>8x</p>	<p>r1</p>  <p>15 mm</p>  <p>12 mm</p>  <p>15x12mm</p>	<p>8x</p>
<p>r42</p> 	<p>8x</p>				

~~1:1~~

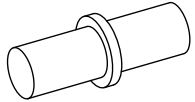


4x



4x

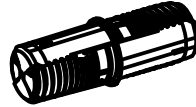
d1



fi5mm

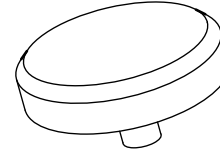
24x

f88



25x

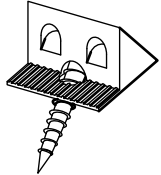
k27



fi48x19mm

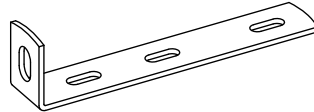
5x

l2



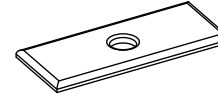
16x

n14\2



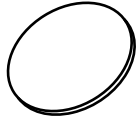
1x

n108



12x

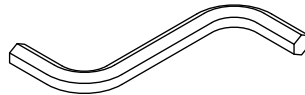
o21



Ø8/1,8mm

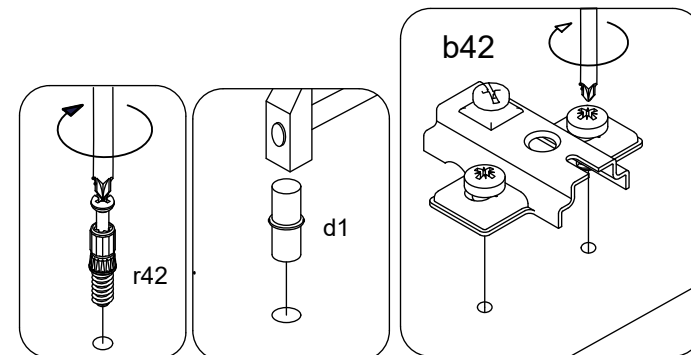
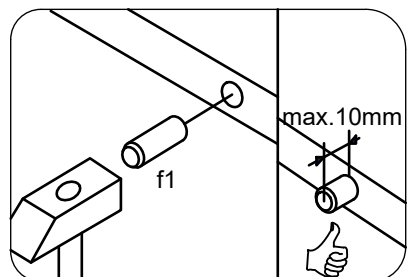
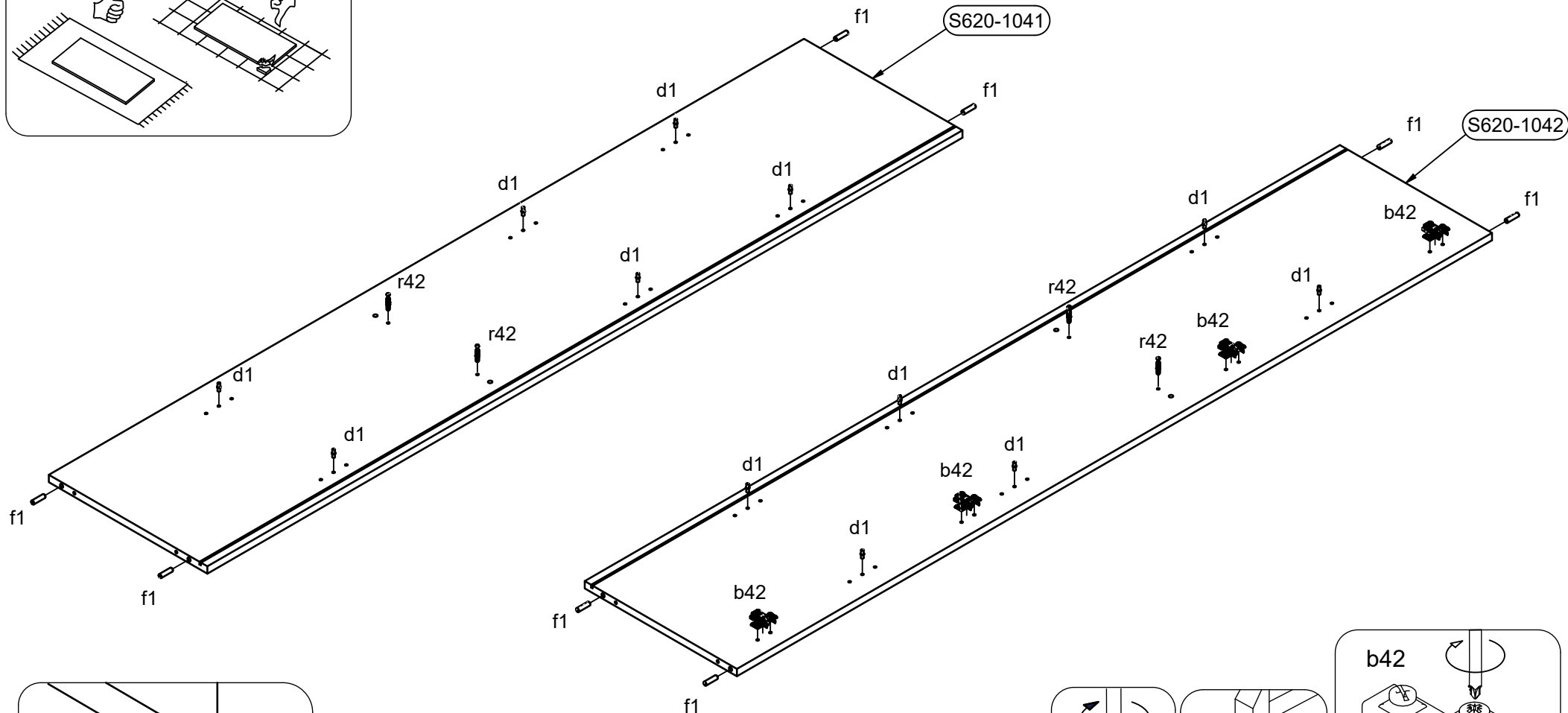
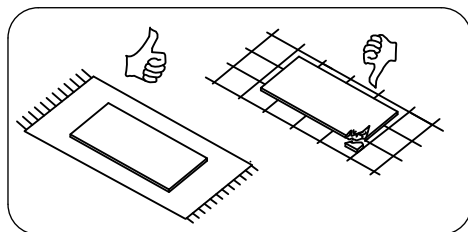
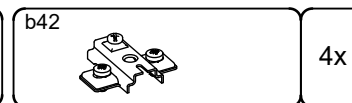
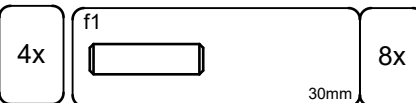
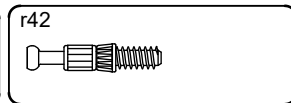
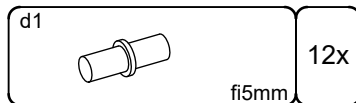
3x

z1

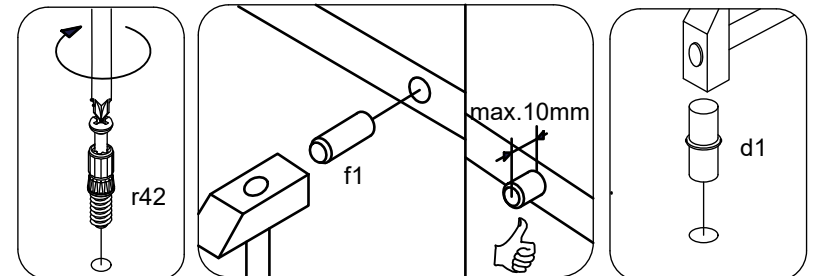
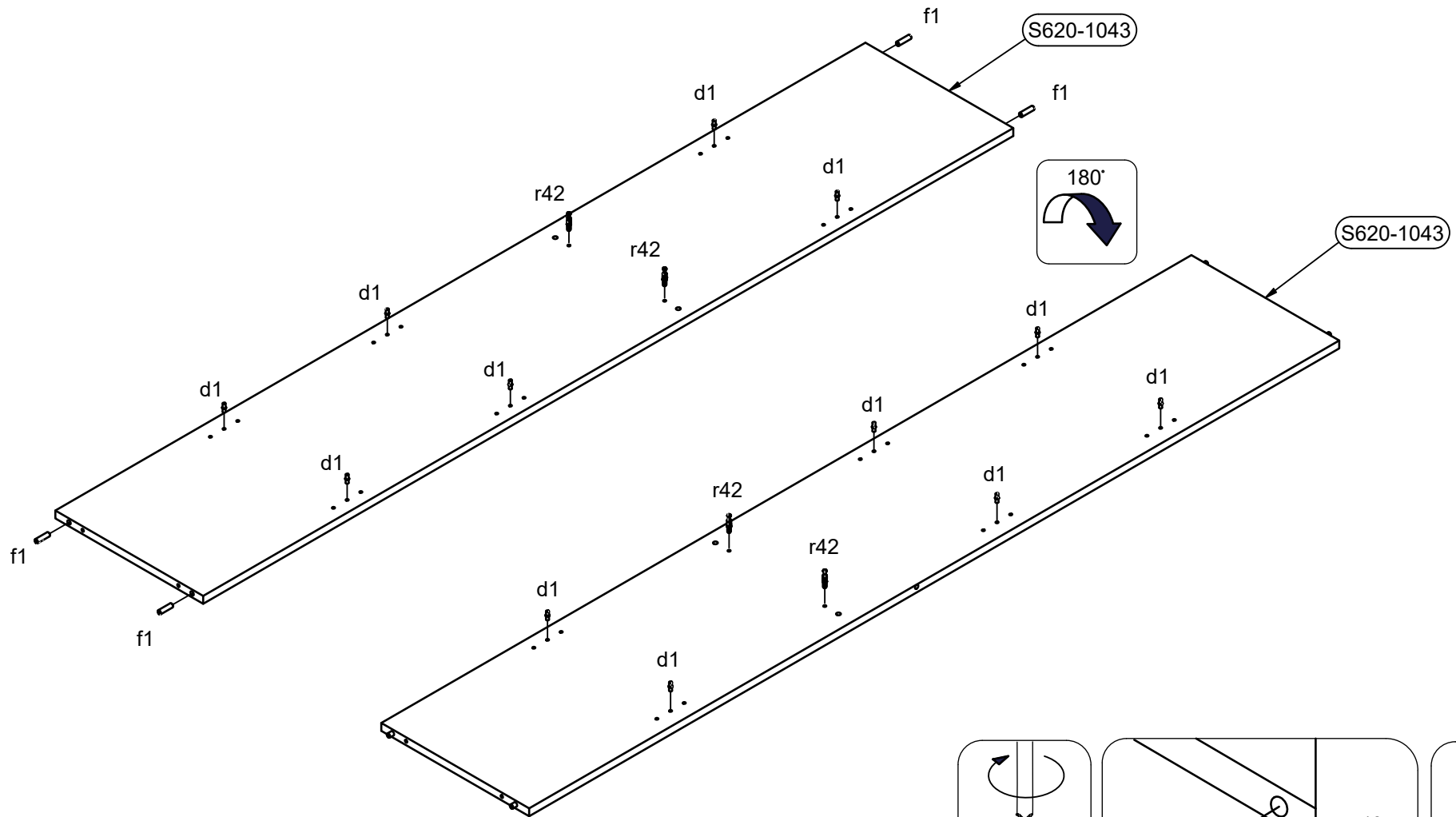
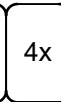
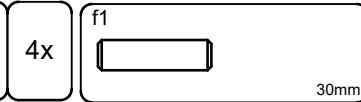
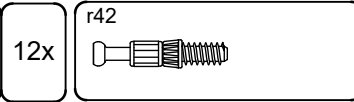
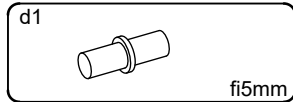


1x

 4mm



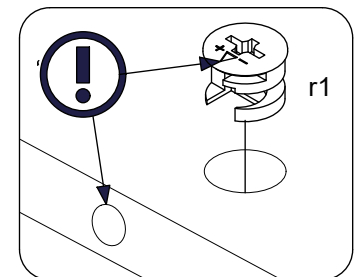
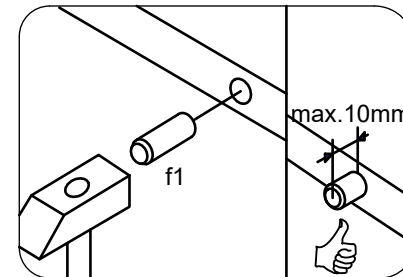
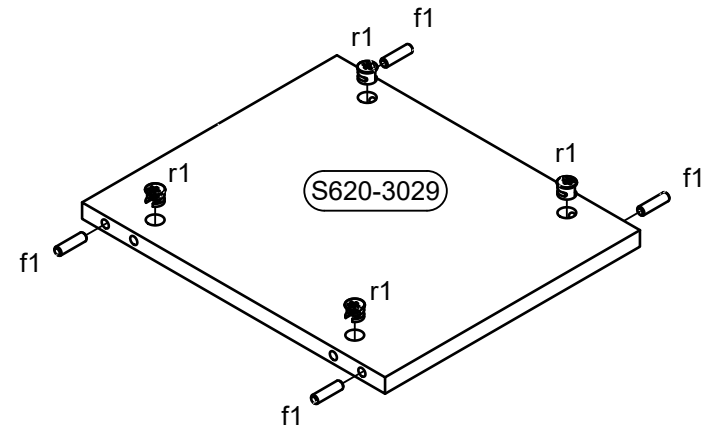
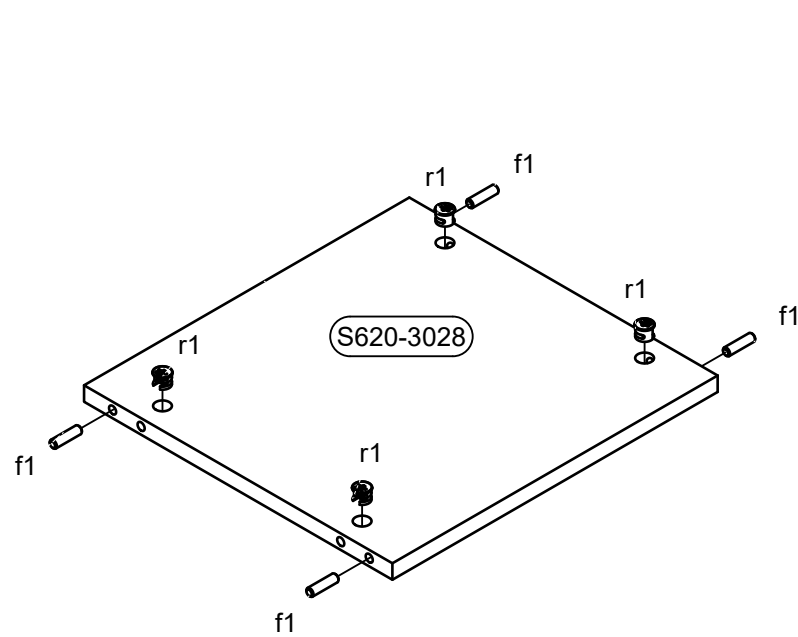
2 



3



f1  30mm	8x	r1   15x12mm	8x
----------------	----	-----------------------	----



4

f88



25

p51



3.5x15mm

8x

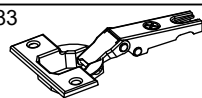
p94



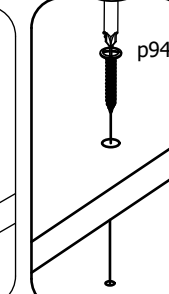
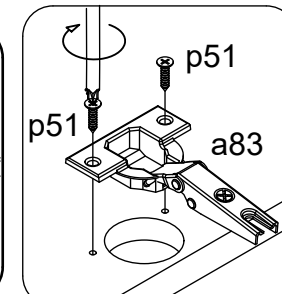
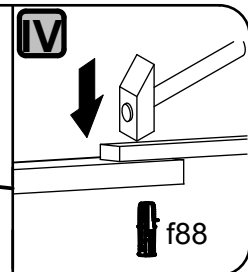
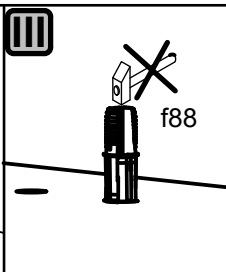
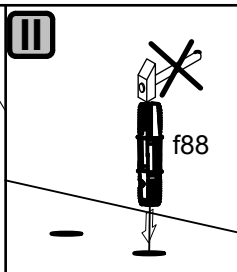
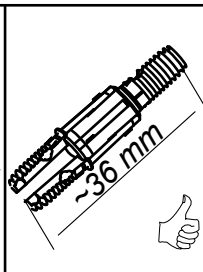
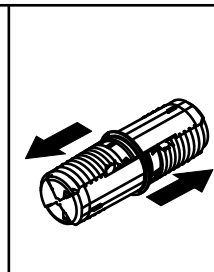
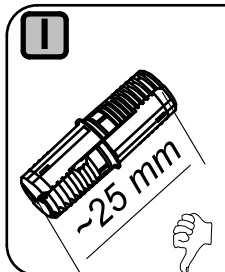
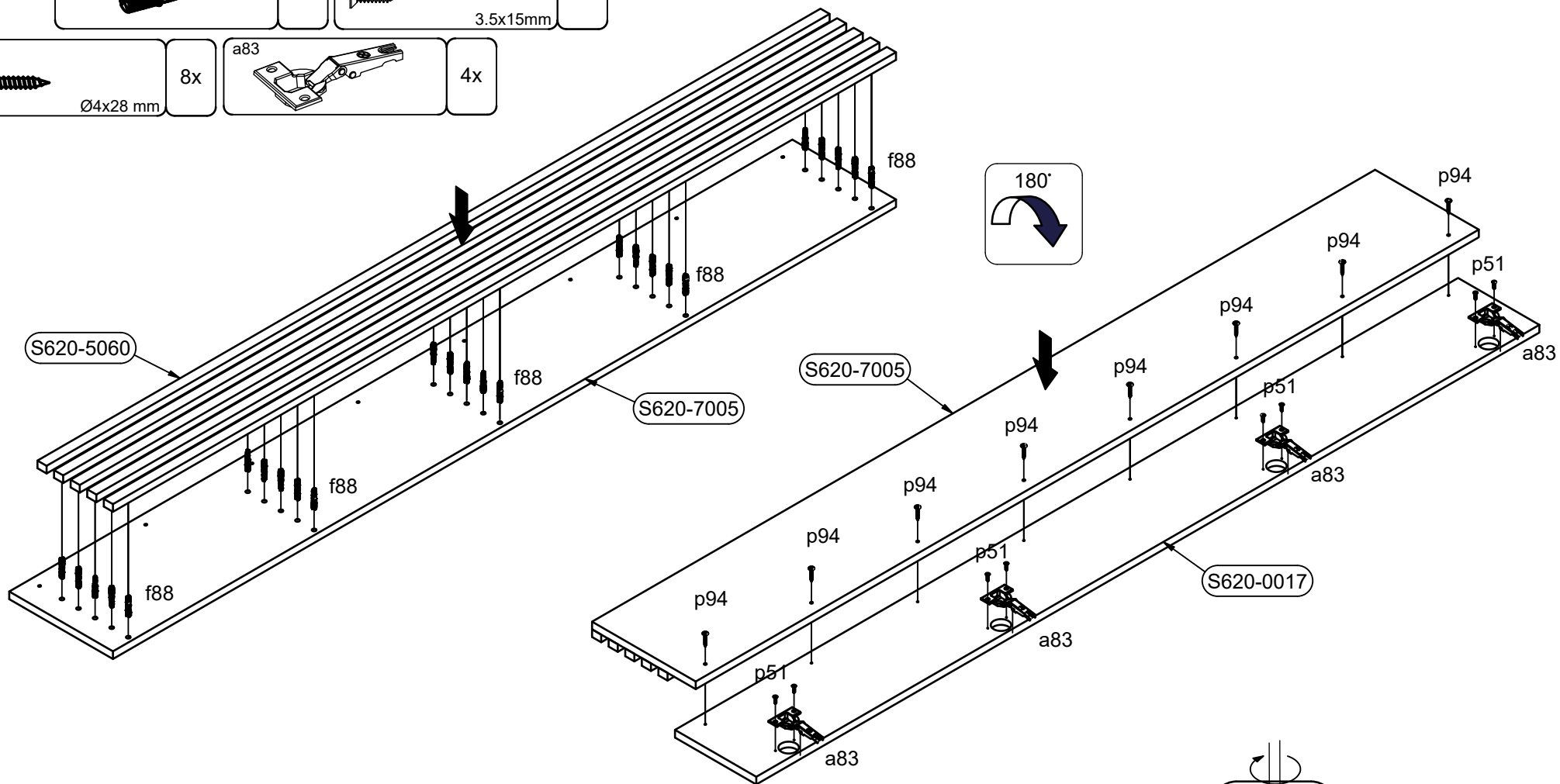
Ø4x28 mm

8x

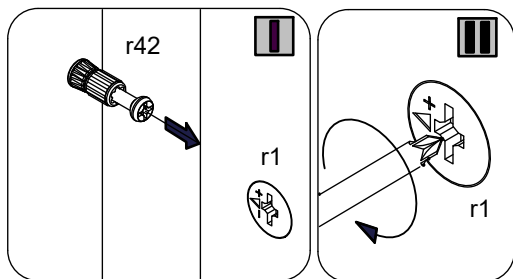
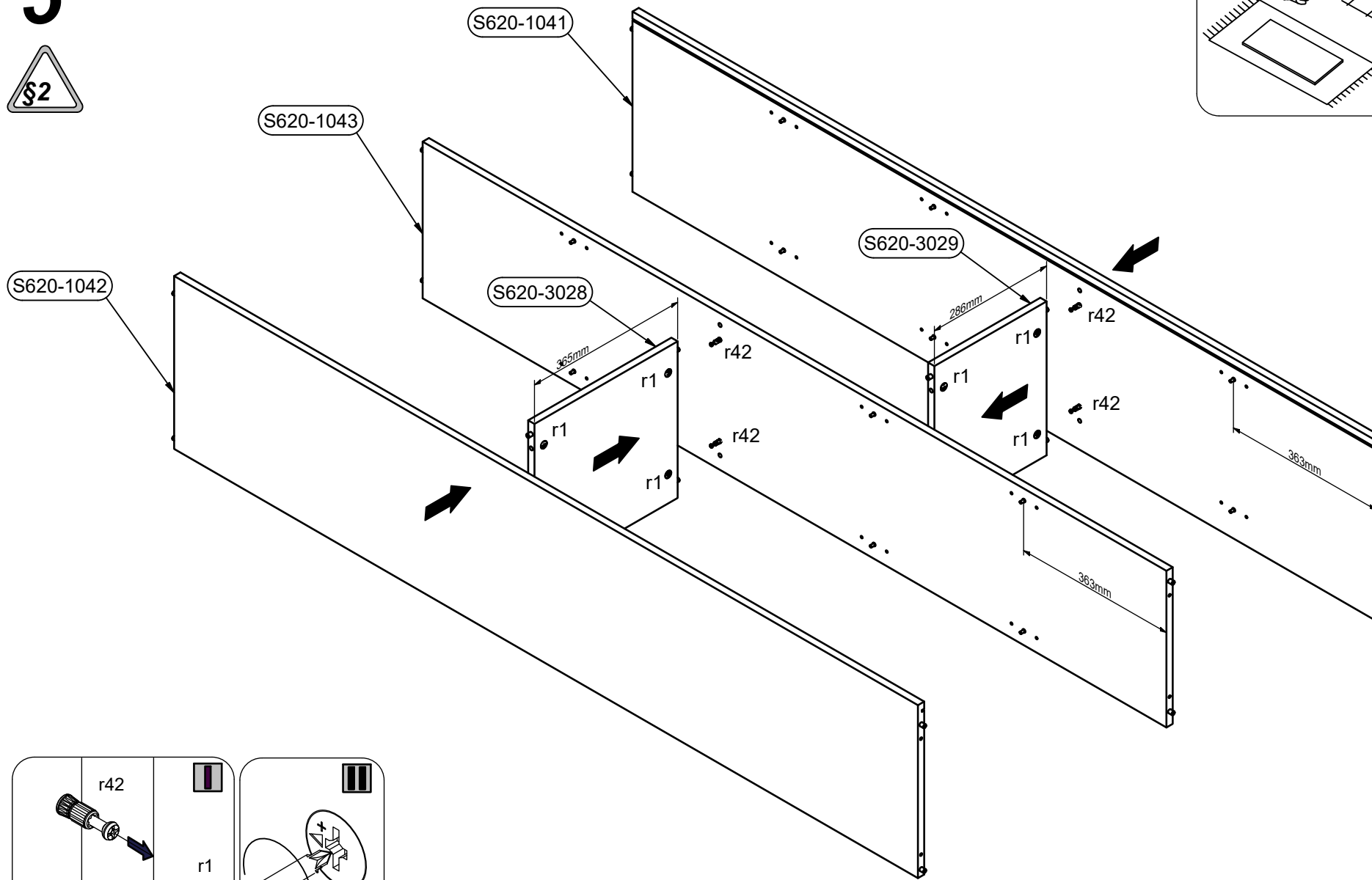
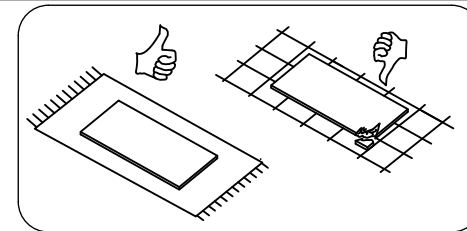
a83



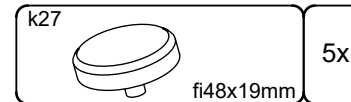
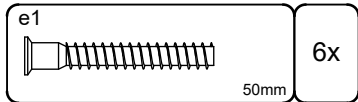
4x



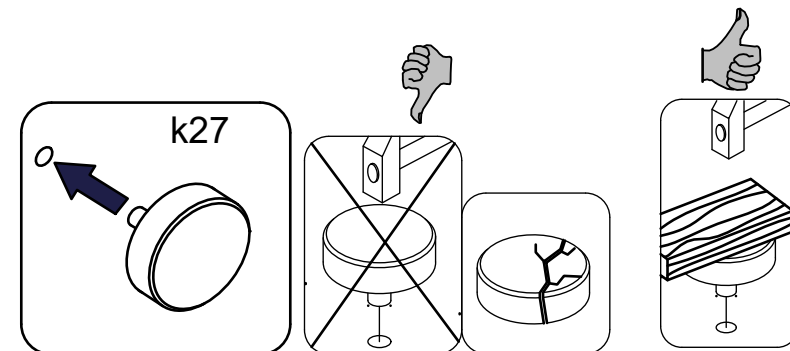
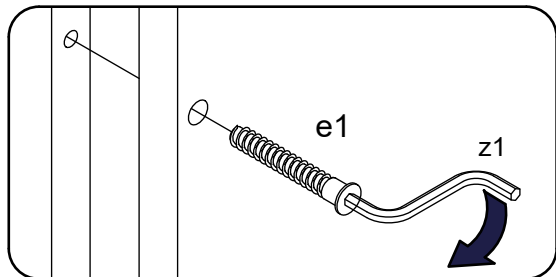
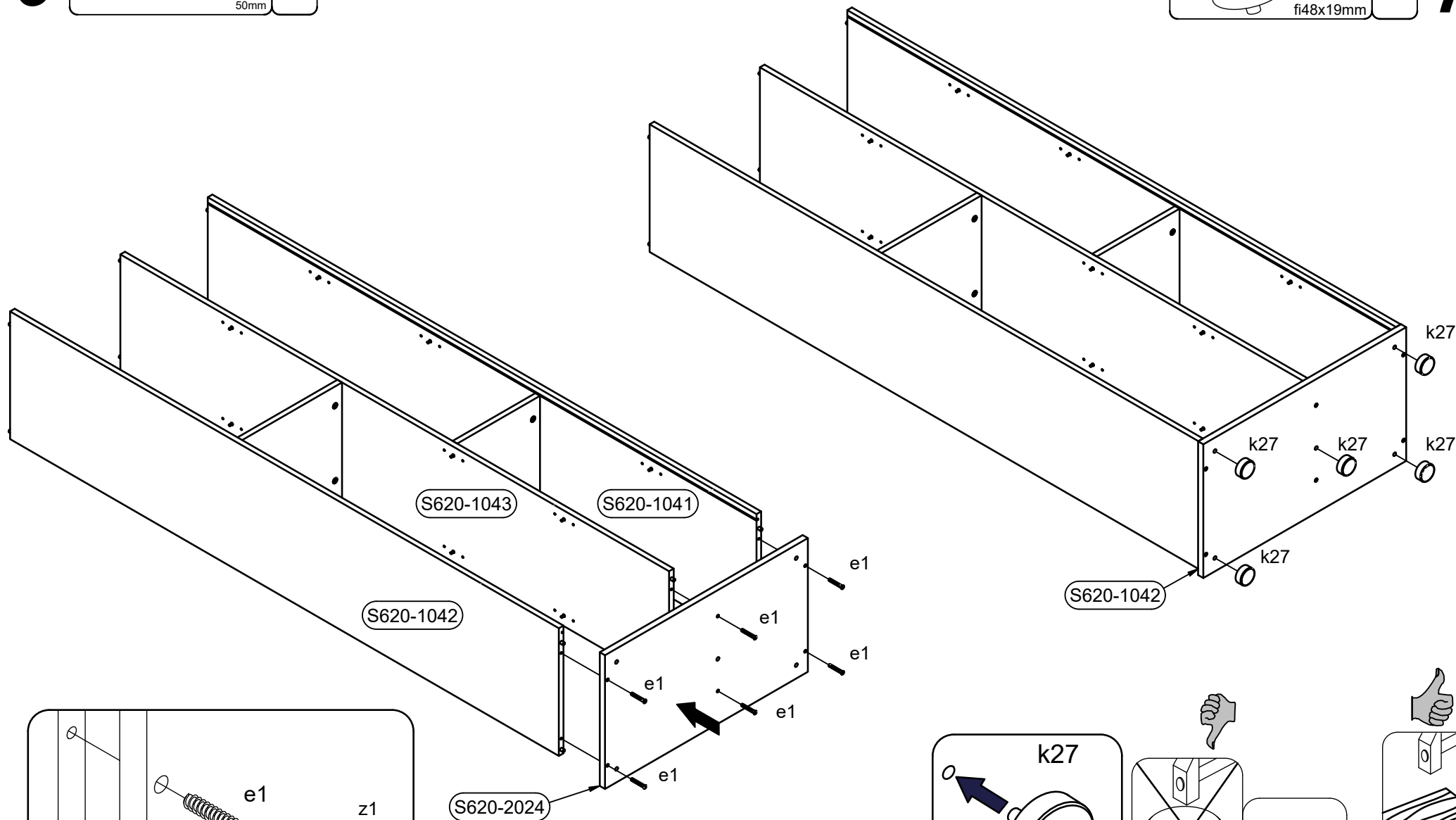
5



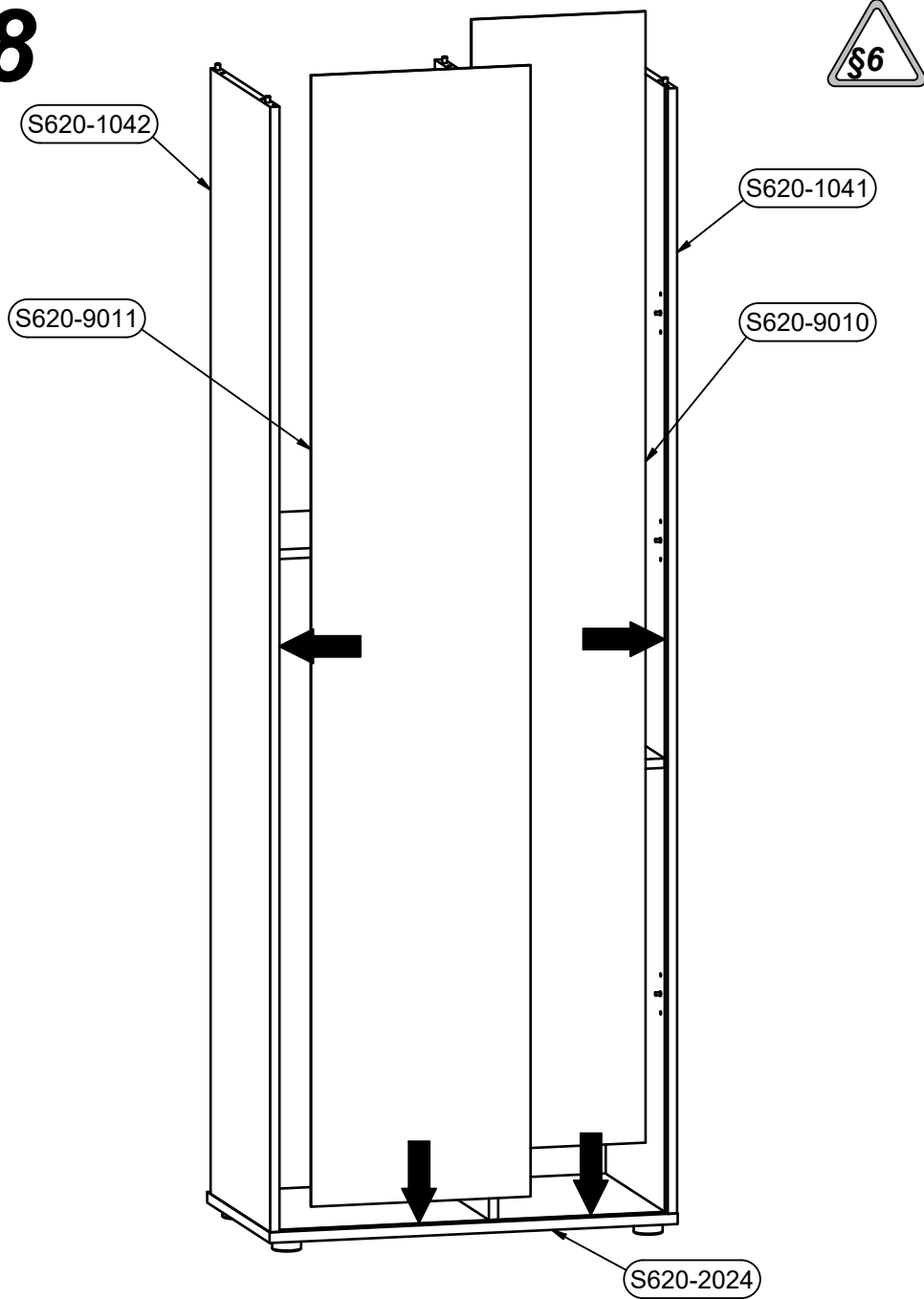
6



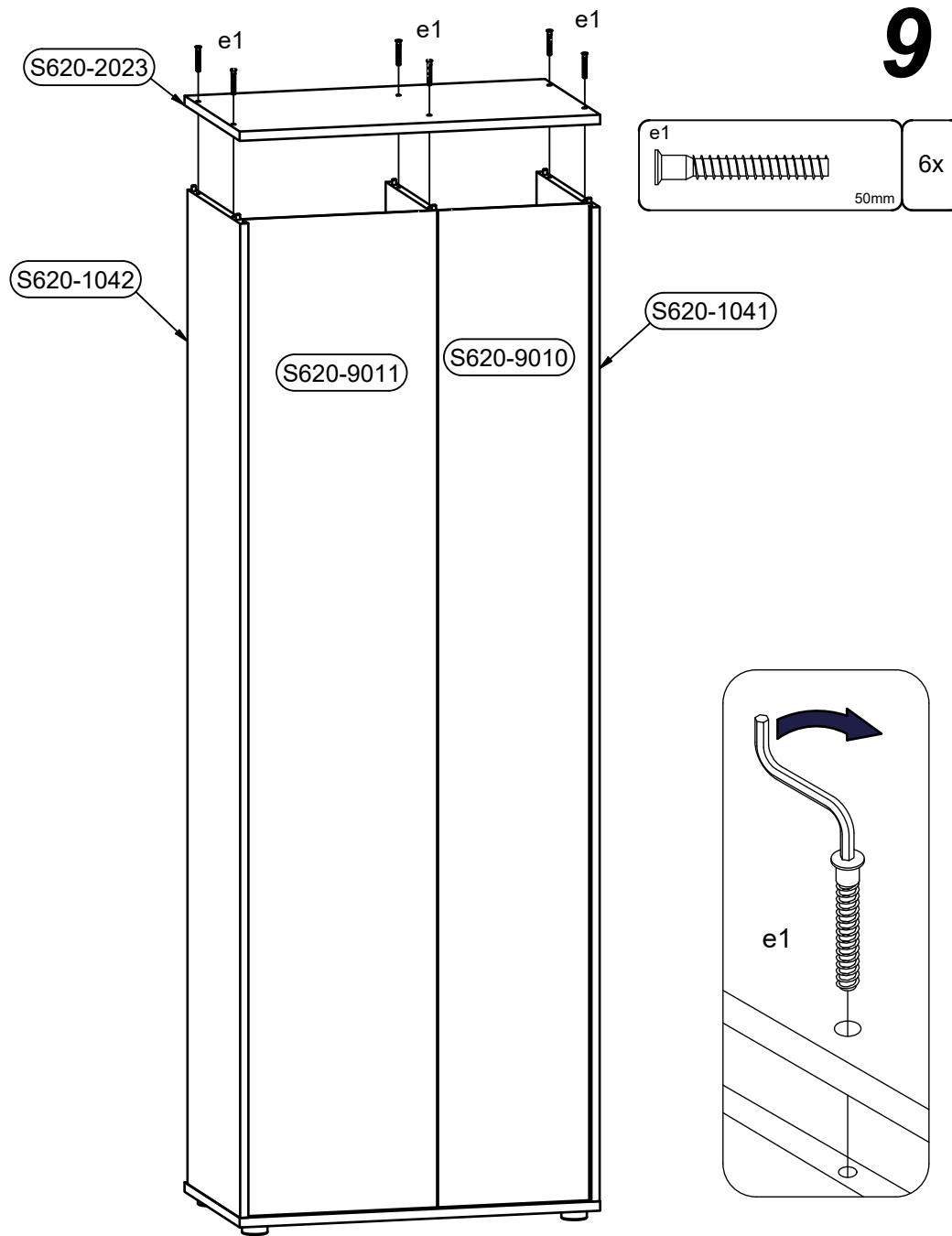
7



8



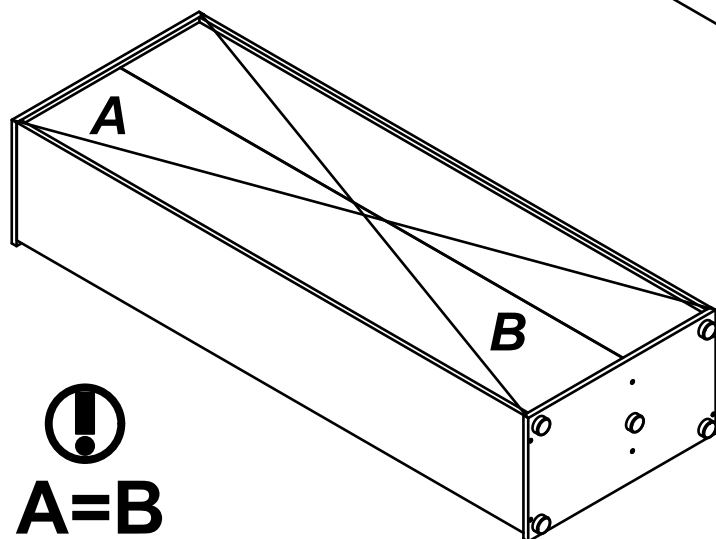
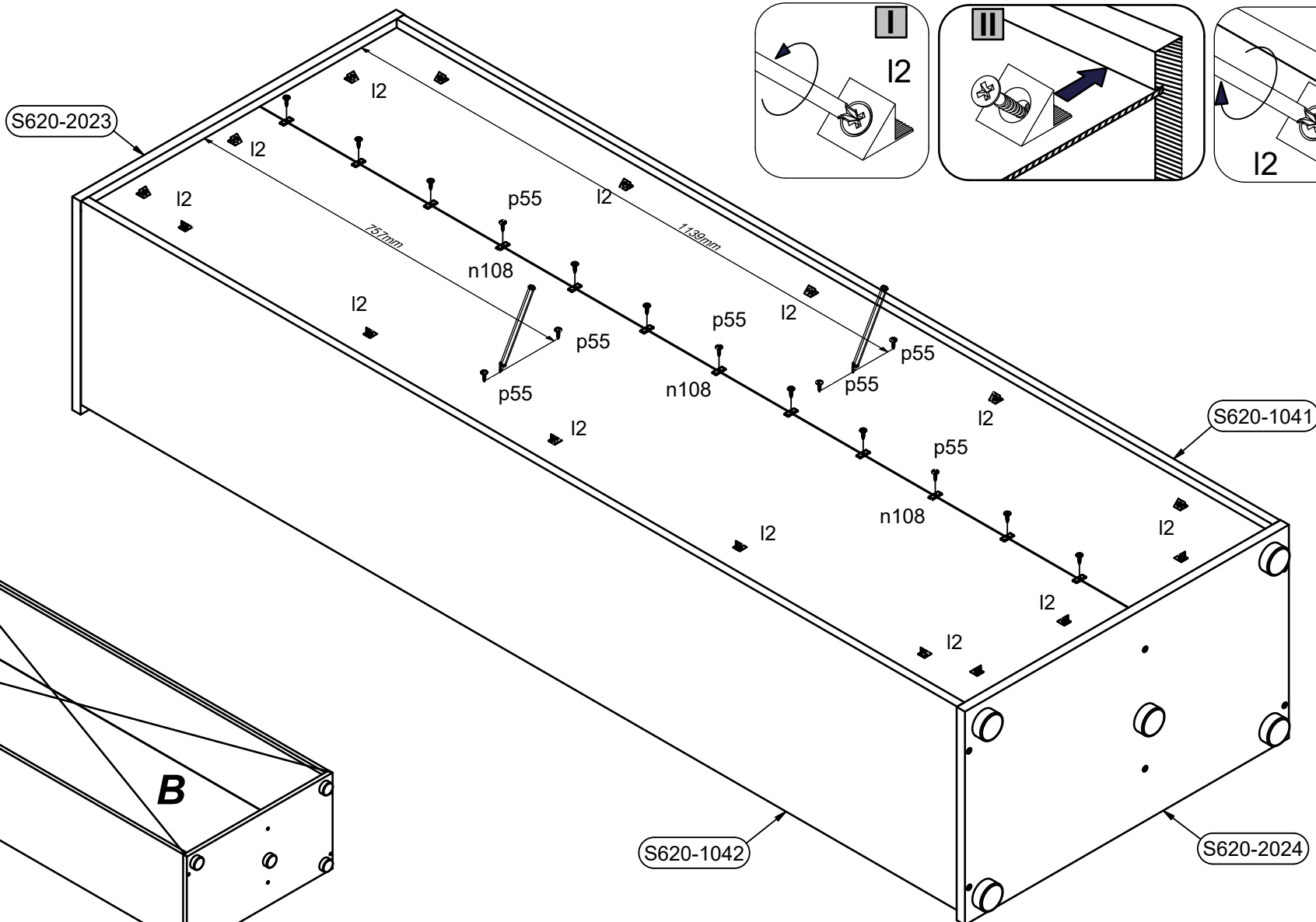
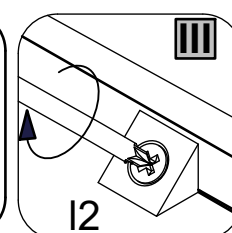
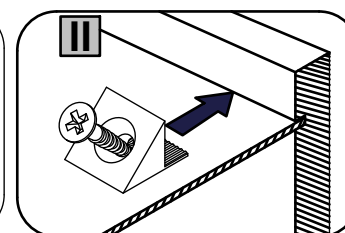
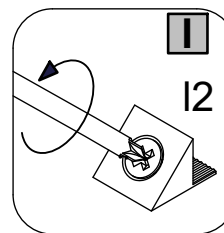
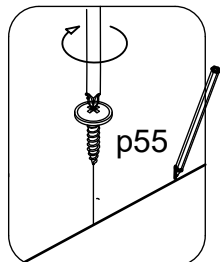
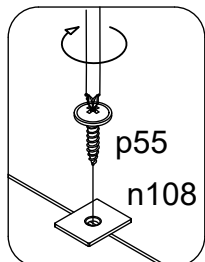
9



10



l2 	16x	n108 	12x	p55 	16x 2.8x16mm
--------	-----	----------	-----	---------	-----------------



**A=B**



13

