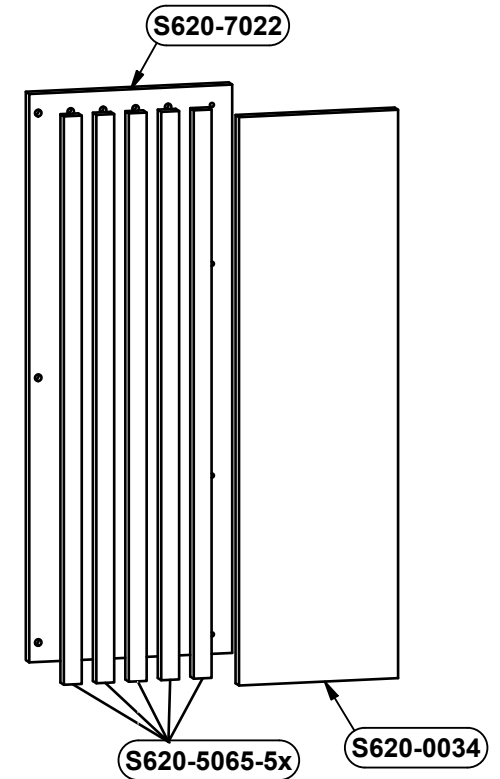
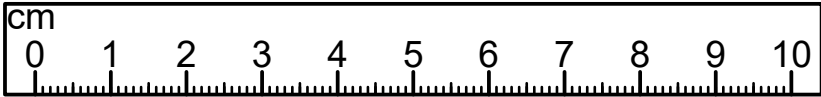
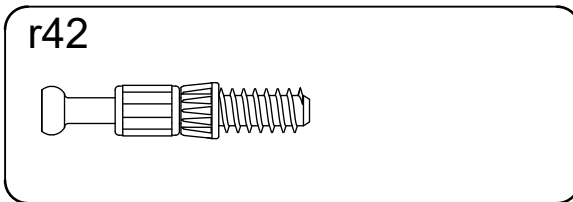
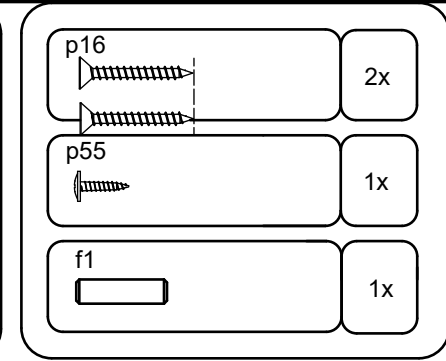
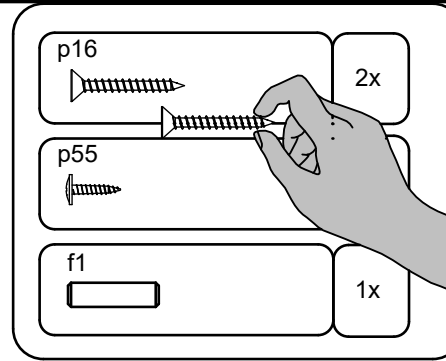


	B1	B2	C1	C2	C3	C4	D
S620-0034	-	687	196	16	1	1\2	
S620-1036	-	727	596	16	1	2\2	
S620-1037	-	695	580	16	1	1\2	
S620-1038	-	695	564	16	1	1\2	
S620-2022	-	1200	600	18	1	2\2	
S620-3026	-	401	600	18	1	2\2	
S620-3027	-	366	500	16	2	1\2	
S620-4008	-	783	240	16	1	1\2	
S620-4009	-	367	695	16	1	1\2	
S620-5065	-	687	22	16	5	1\2	
S620-7022	-.1	687	250	16	1	1\2	



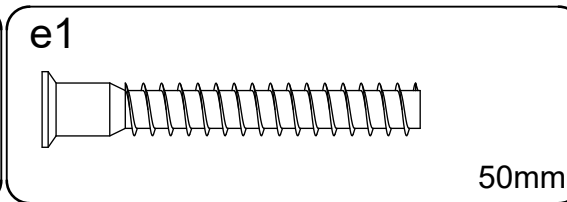


1:1



r42

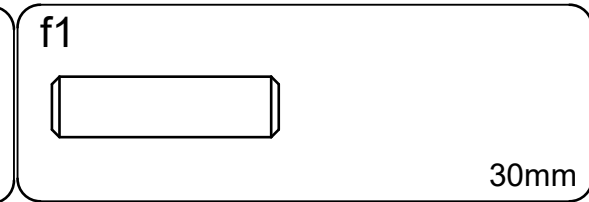
19x



e1

6x

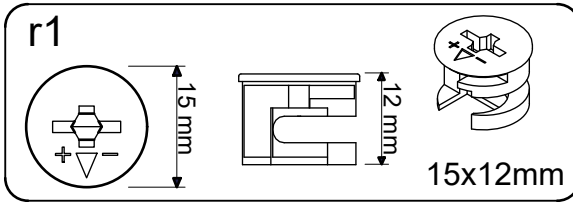
50mm



f1

18x

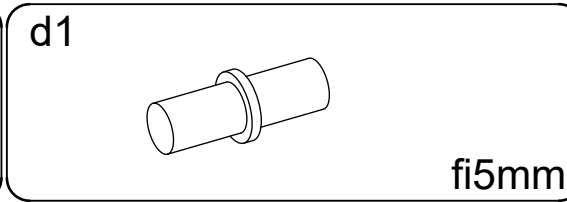
30mm



r1

19x

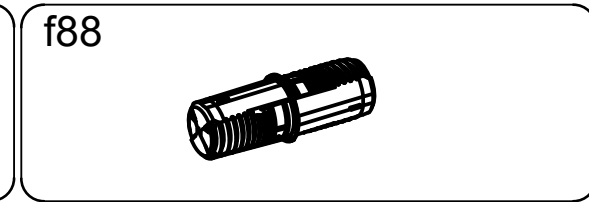
15x12mm



d1

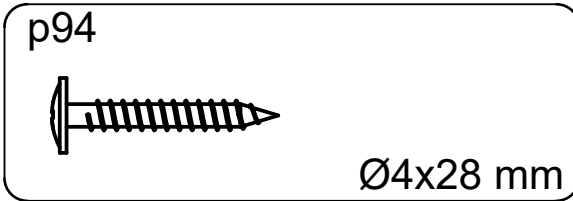
8x

fi5mm



f88

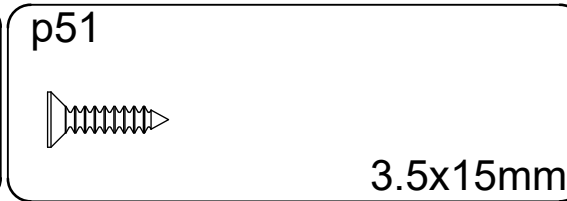
15x



p94

4x

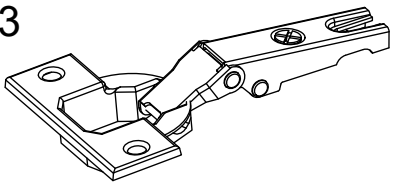
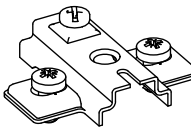
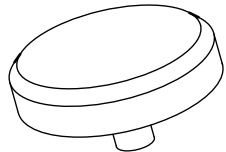
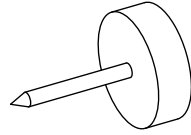
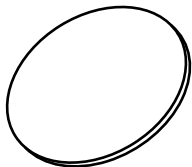
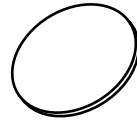
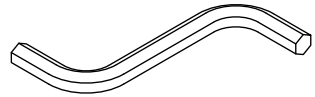
Ø4x28 mm





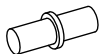

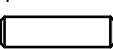
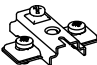
p51

4x

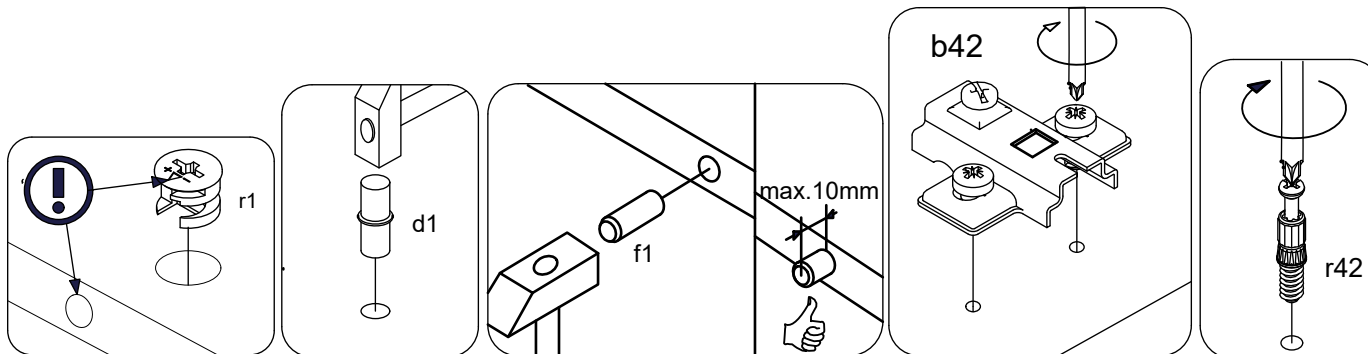
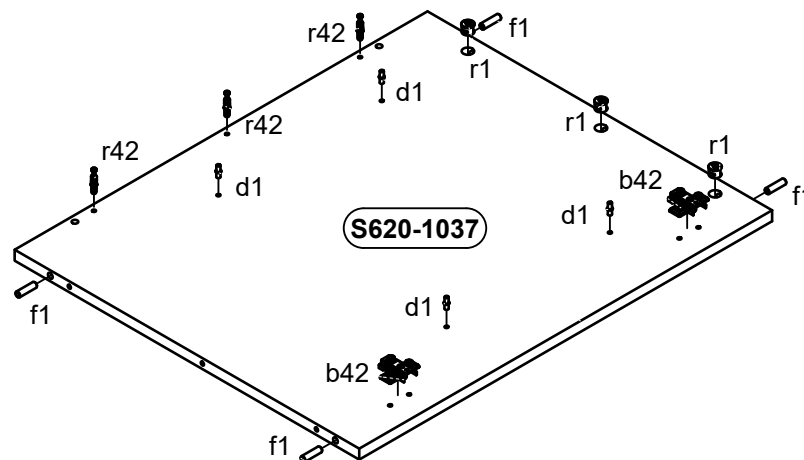
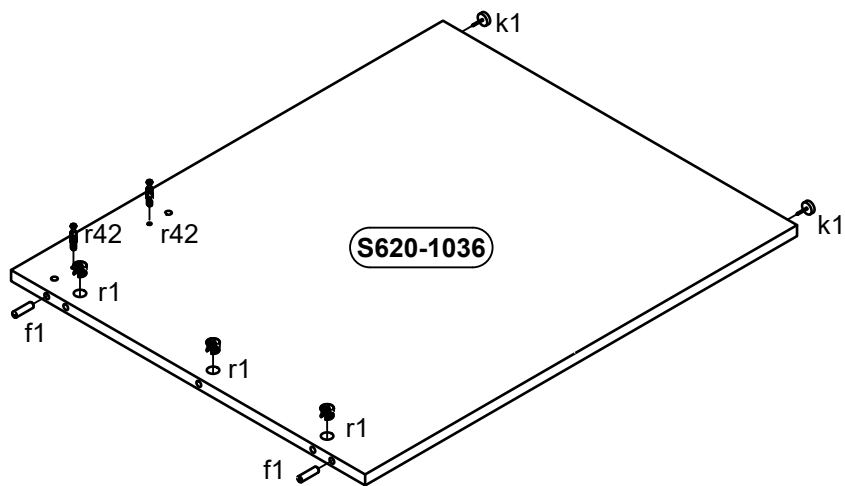
3.5x15mm

<p>a83</p> 	<p>2x</p>	<p>b42</p> 	<p>2x</p>	<p>k27</p>  <p>fi48x19mm</p>	<p>4x</p>
<p>k1</p> 	<p>2x</p>	<p>s68</p>  <p>Ø20mm</p>	<p>19x</p>	<p>o21</p>  <p>Ø8/1,8mm</p>	<p>2x</p>
<p>z1</p>  <p>3mm</p>	<p>1x</p>				


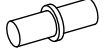
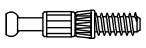
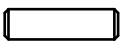
1

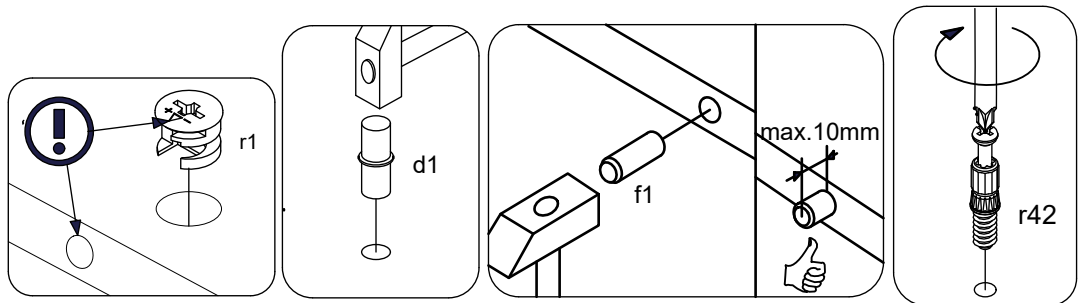
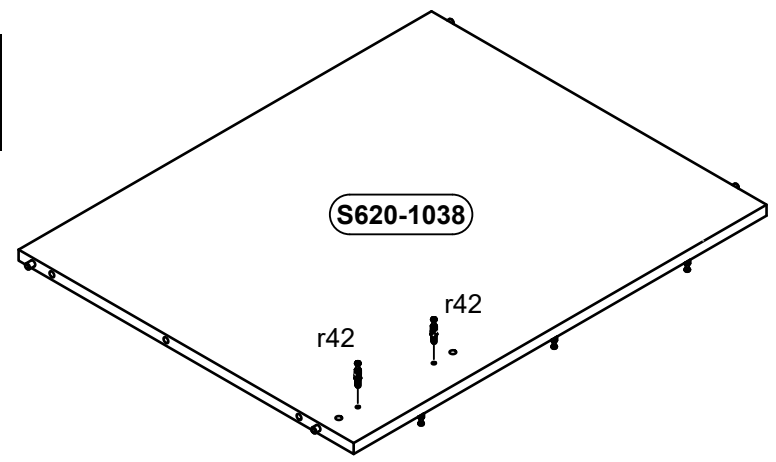
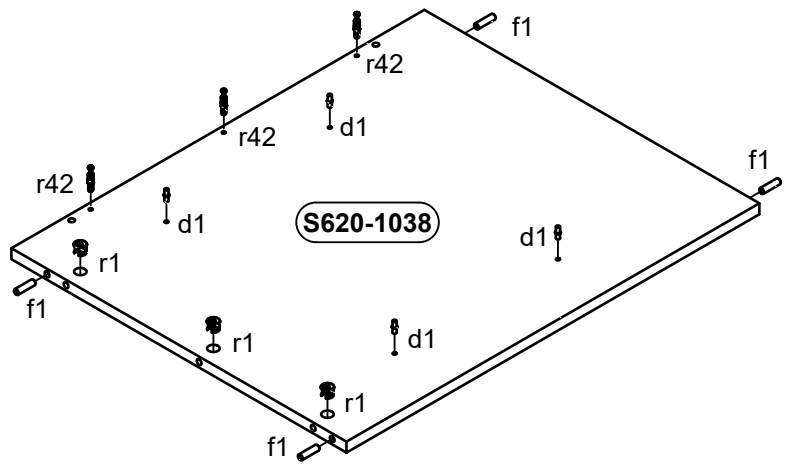
  15x12mm	6x	 fi5mm	4x	 r42	5x	 30mm	6x	 b42	2x
--	----	--	----	--	----	---	----	--	----

2

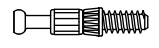



3

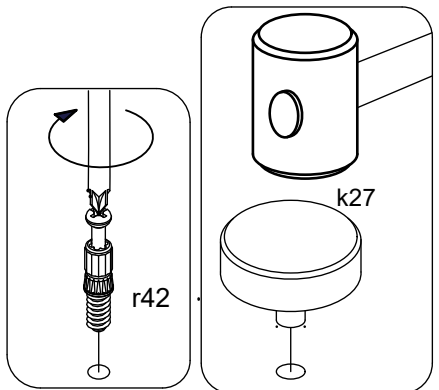
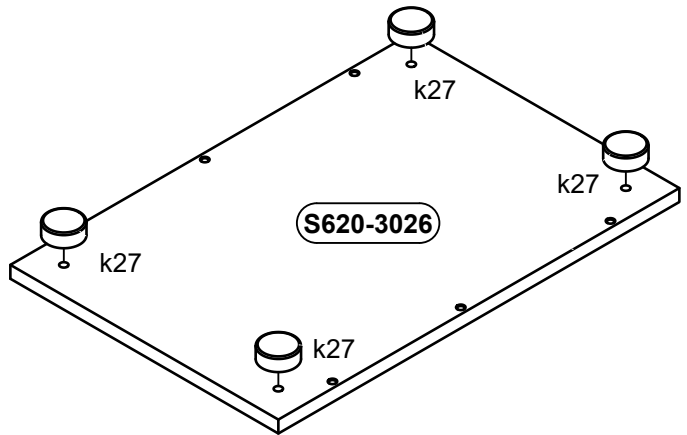
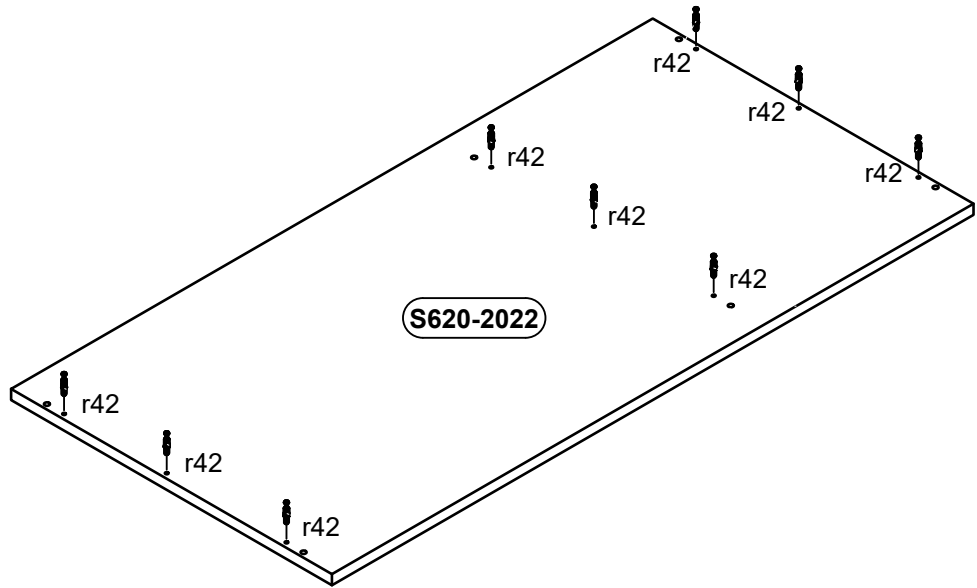
r1  15x12mm	3x	d1  fi5mm	4x	r42 	5x	f1  30mm	4x
--	----	--	----	--	----	---	----





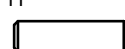
4

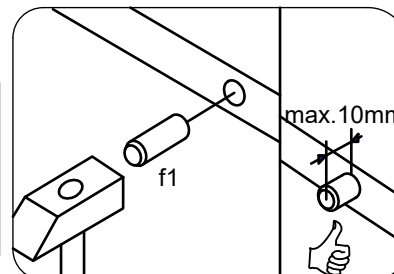
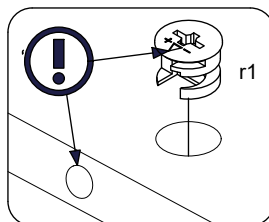
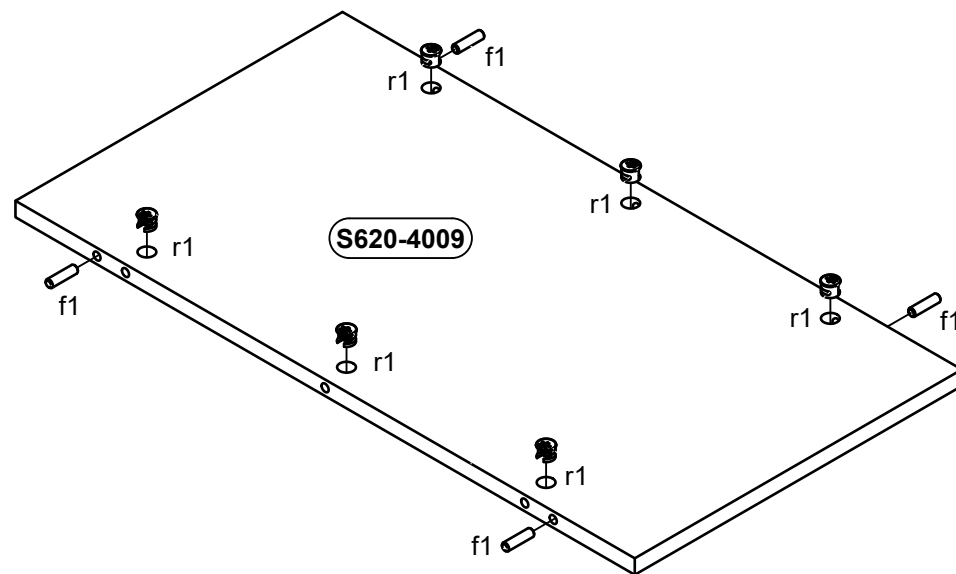
r42 	9x	k27  fi48x19mm	6x
---	----	---	----

5



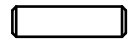


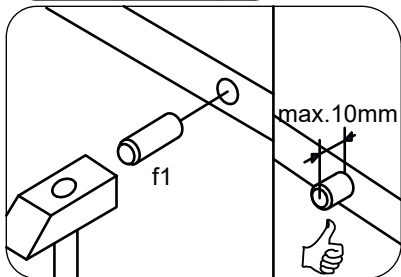
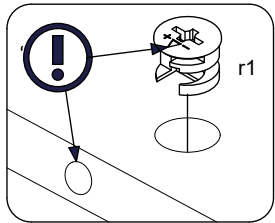
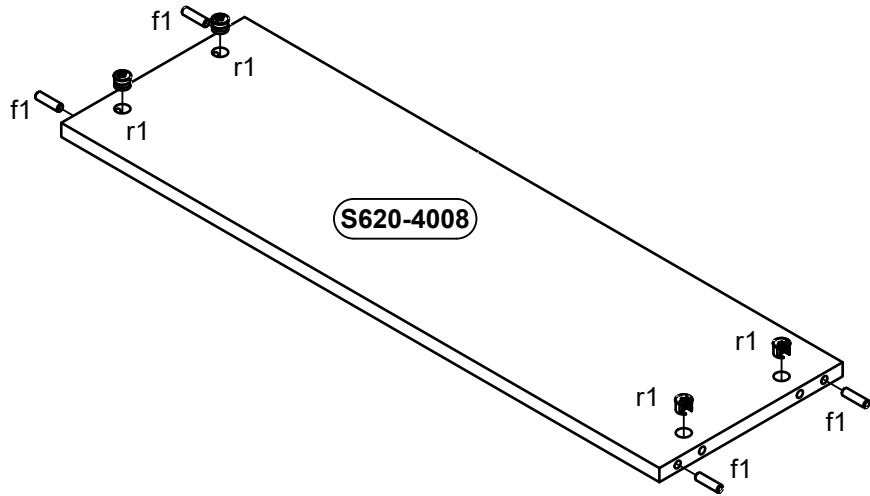
6

 r1	 15x12mm	6x	 f1	4x
---	--	----	---	----

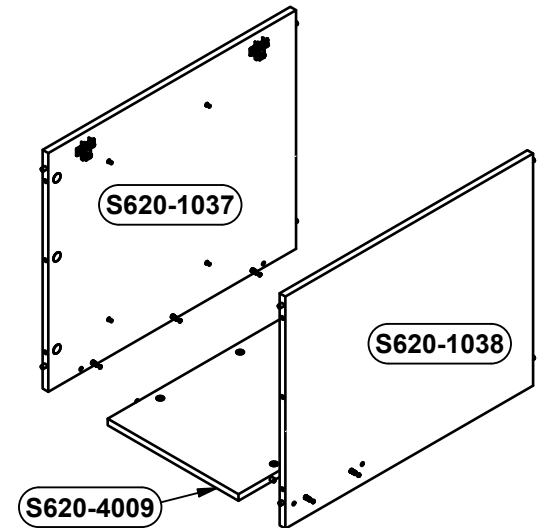
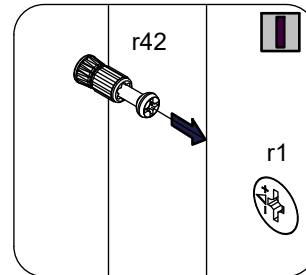
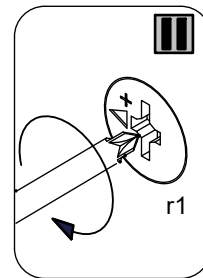
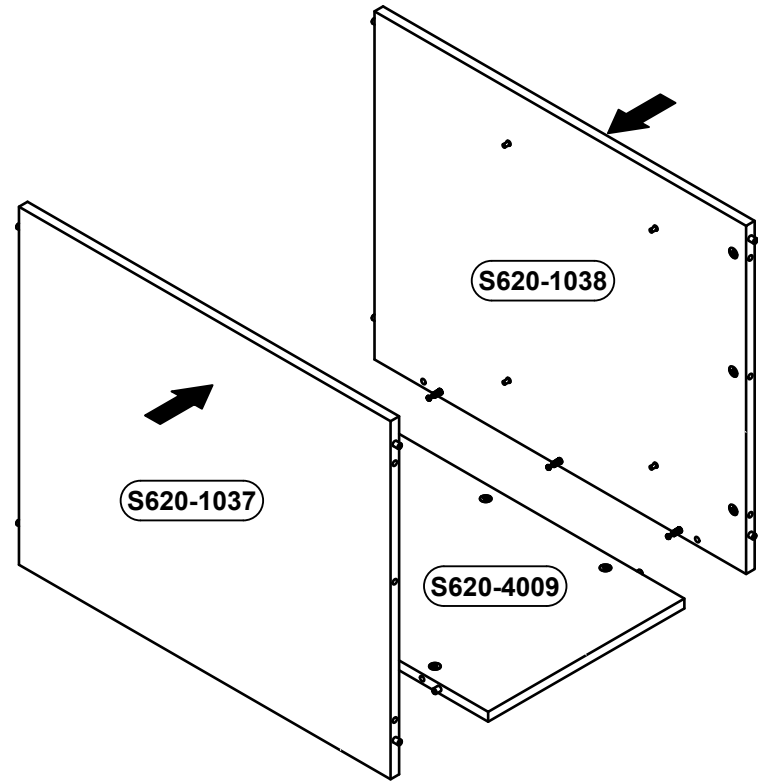


7

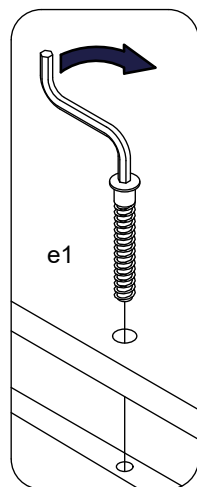
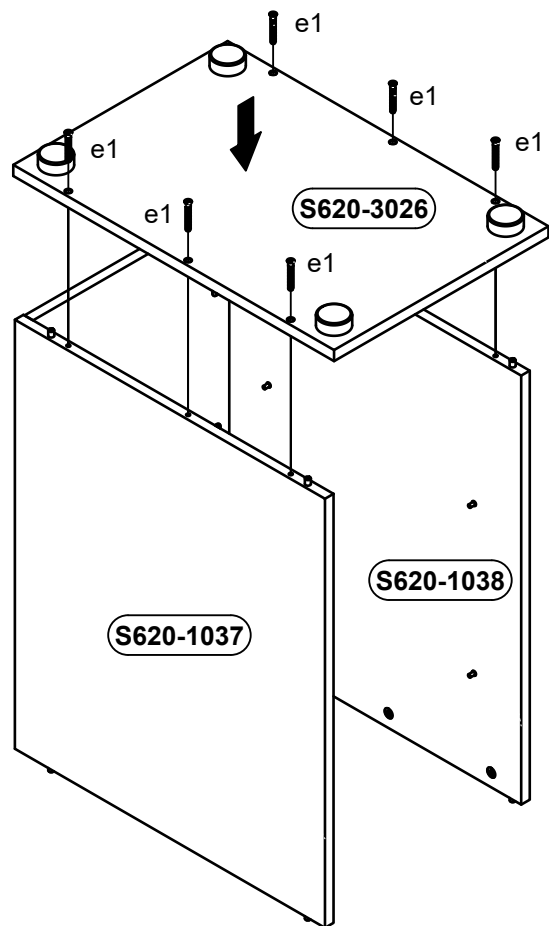
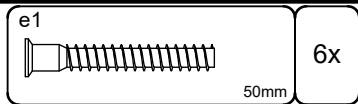
r1			15x12mm	3x	f1		30mm	4x
----	---	---	---------	----	----	---	------	----



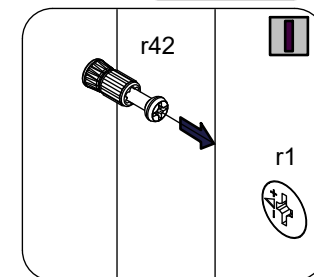
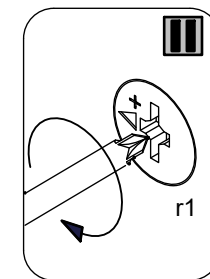
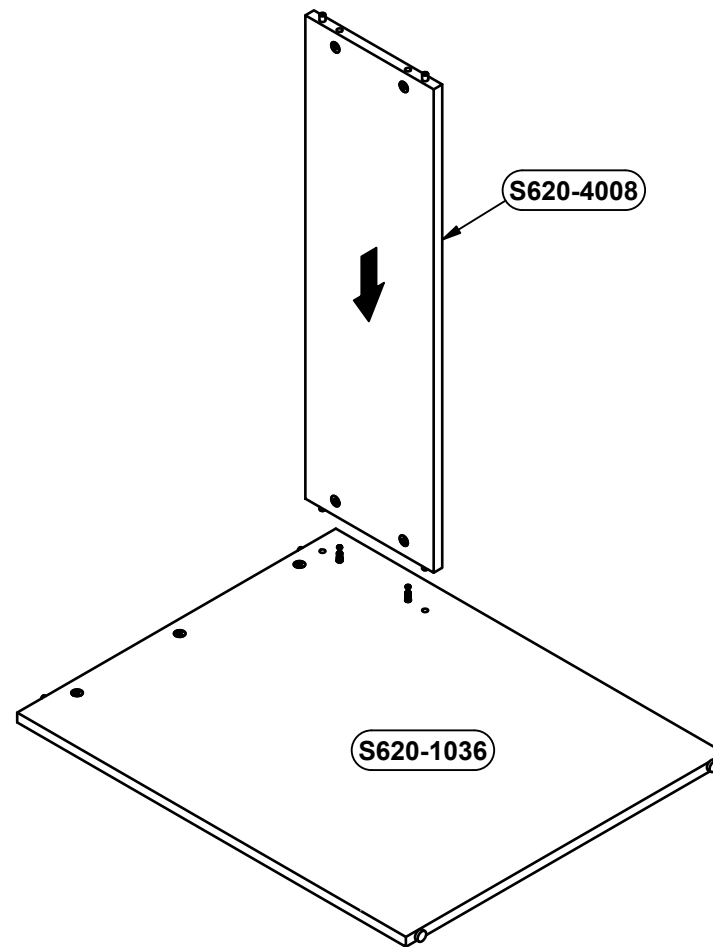
8



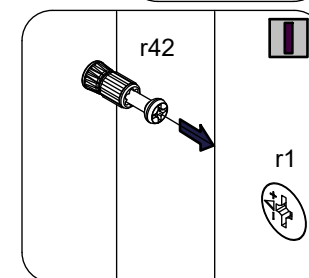
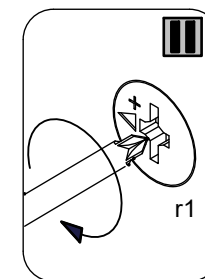
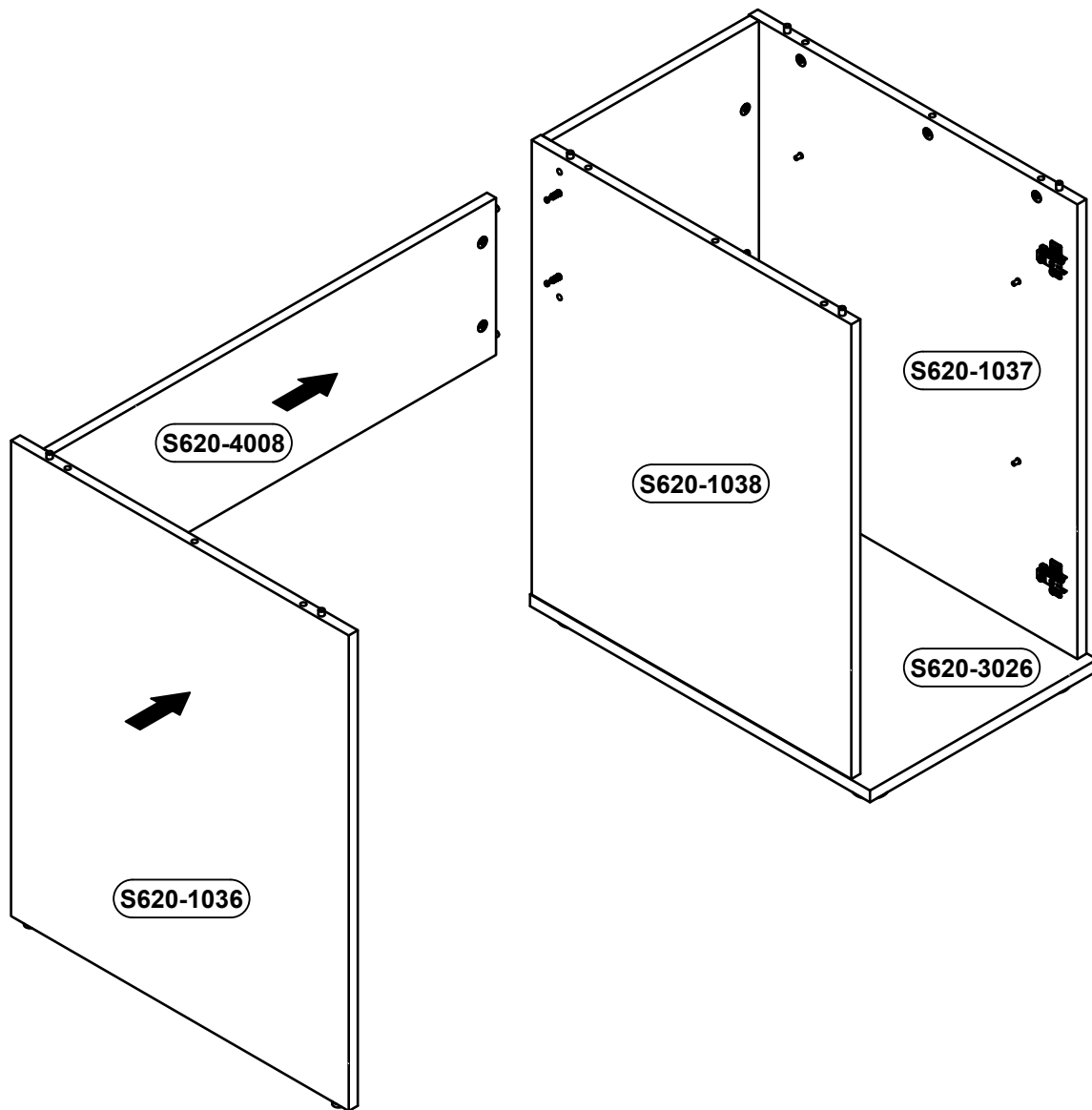
9



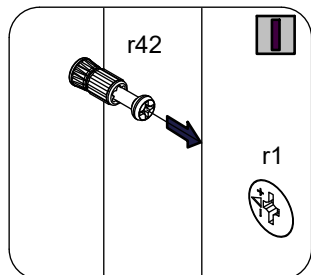
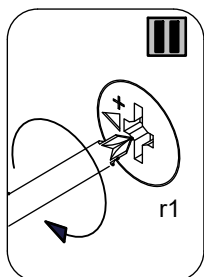
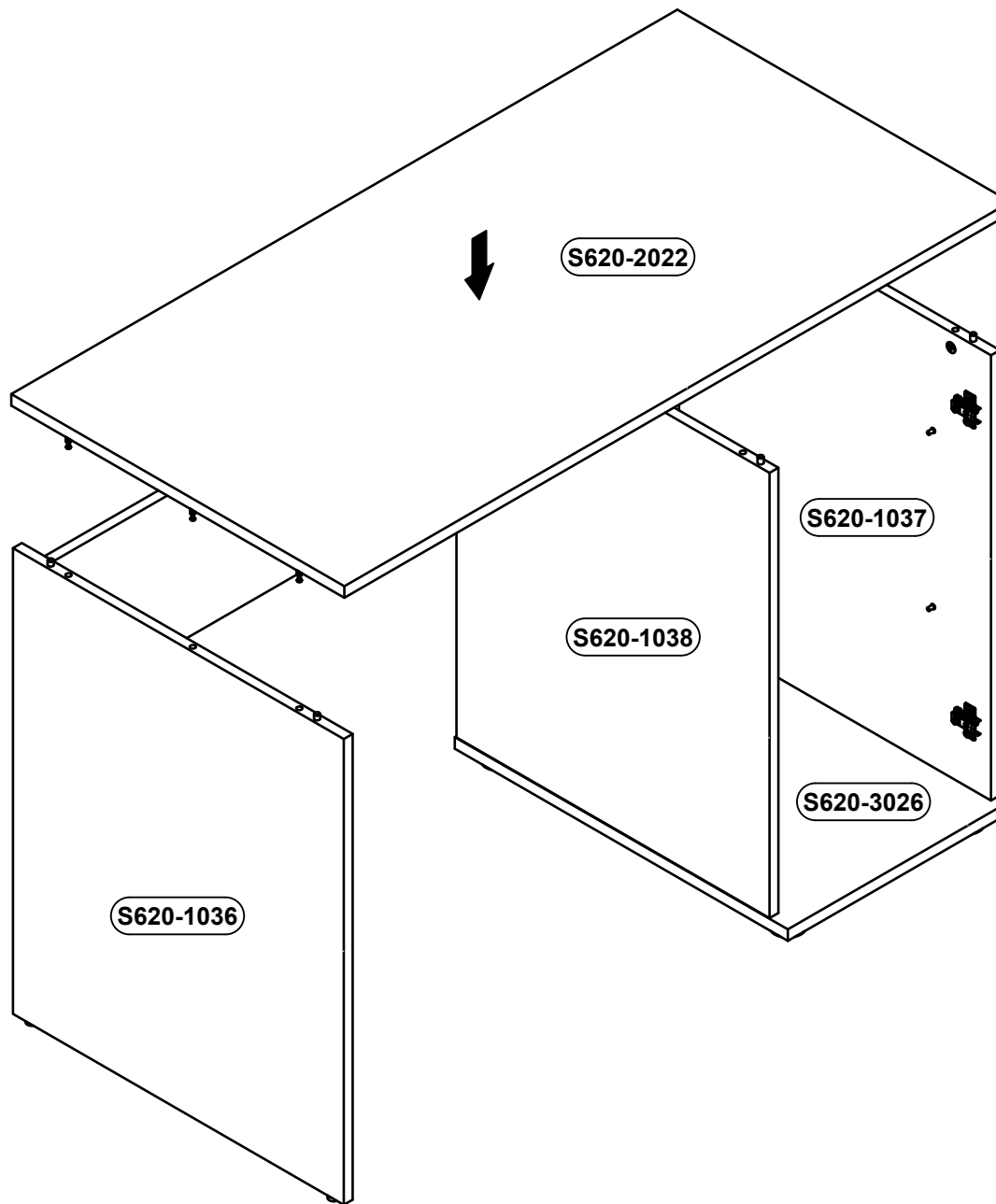
10



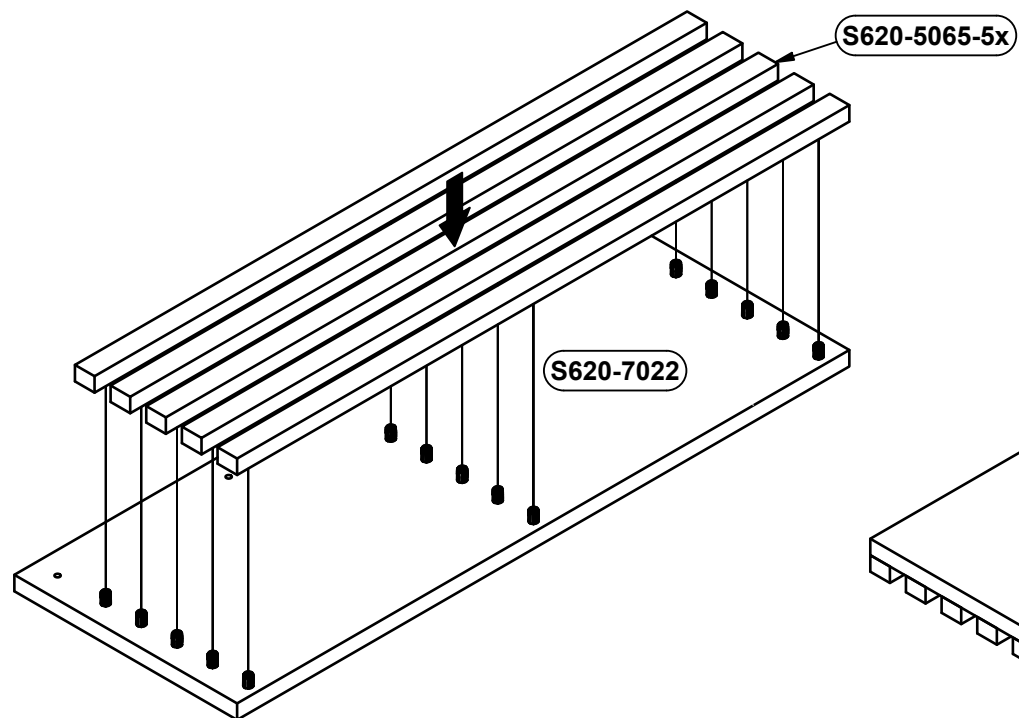
11



12



13



p51 3.5x15mm 4x	p94 Ø4x28 mm 4x
f88 15x	a83 2x

