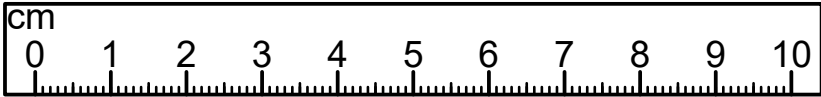
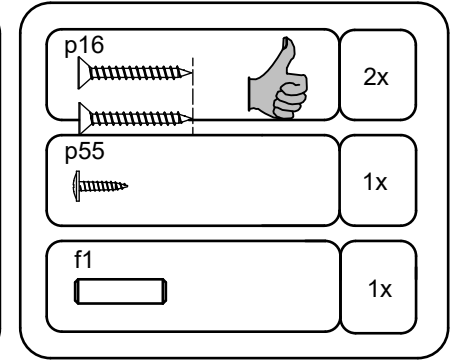
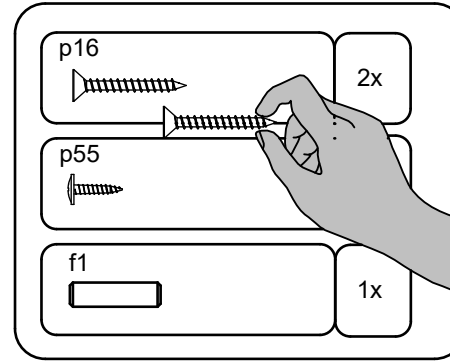


B1	B2	C1	C2	C3	C4	D
S620-1039	-.1	2000	180	22	1	1/2
S620-1040	-.1	2000	180	22	1	1/2
S620-4010	-.1	2000	199	16	2	1/2
S620-4011	-.2	2000	175	16	2	1/2
S620-4012	-.1	2000	185	16	2	1/2
S620-4013	-.1	185	159	16	4	2/2
S620-4014	-.1	532	831	28	1	2/2
S620-4015	-.1	638	831	28	1	2/2
S620-4016	-.1	950	420	28	1	2/2
S620-5057	-.12	420	22	16	10	2/2
S620-5066	-.1	960	36	19	2	2/2
ZZ1-513		1932	896	18	1	1/2
ZZ1-747	-.2	1880	25	25	2	1/2



1:1

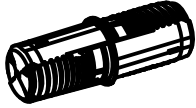


e1		50mm	16x	e7		Ø6.3x16 mm	16x	e45		Ø7x24 mm	8x
f1		Ø8x30 mm	44x	j171		M6x70mm	4x	p6		Ø4x35 mm	6x
p10		Ø4x40 mm	12x	r1		15x12mm	20x	r42			20x



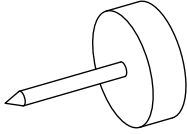
~~1:1~~

f88



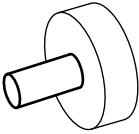
20x

k1



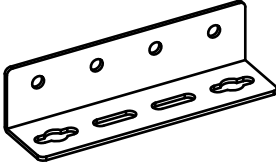
6x

k22



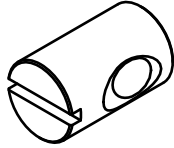
3x

n63



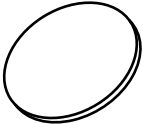
2x

r43



4x

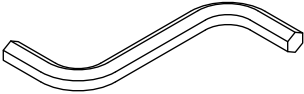
s59



Ø14mm

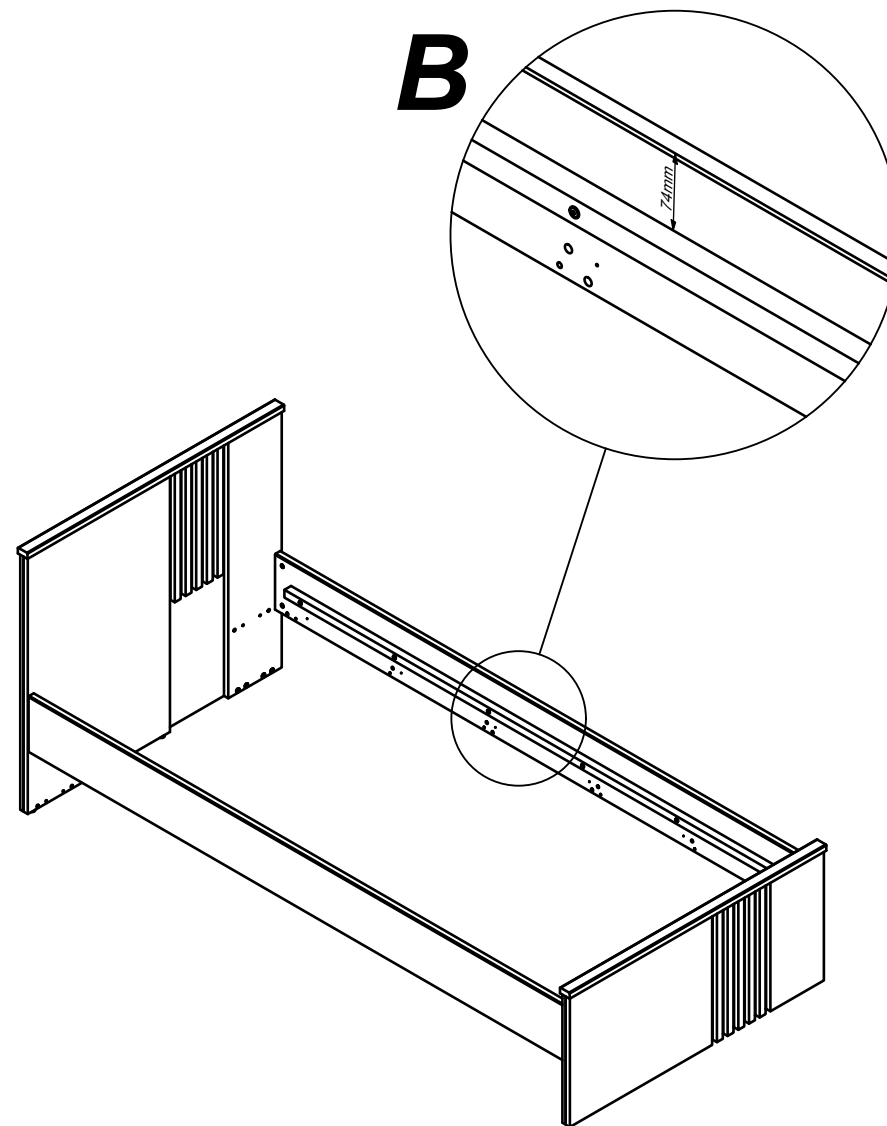
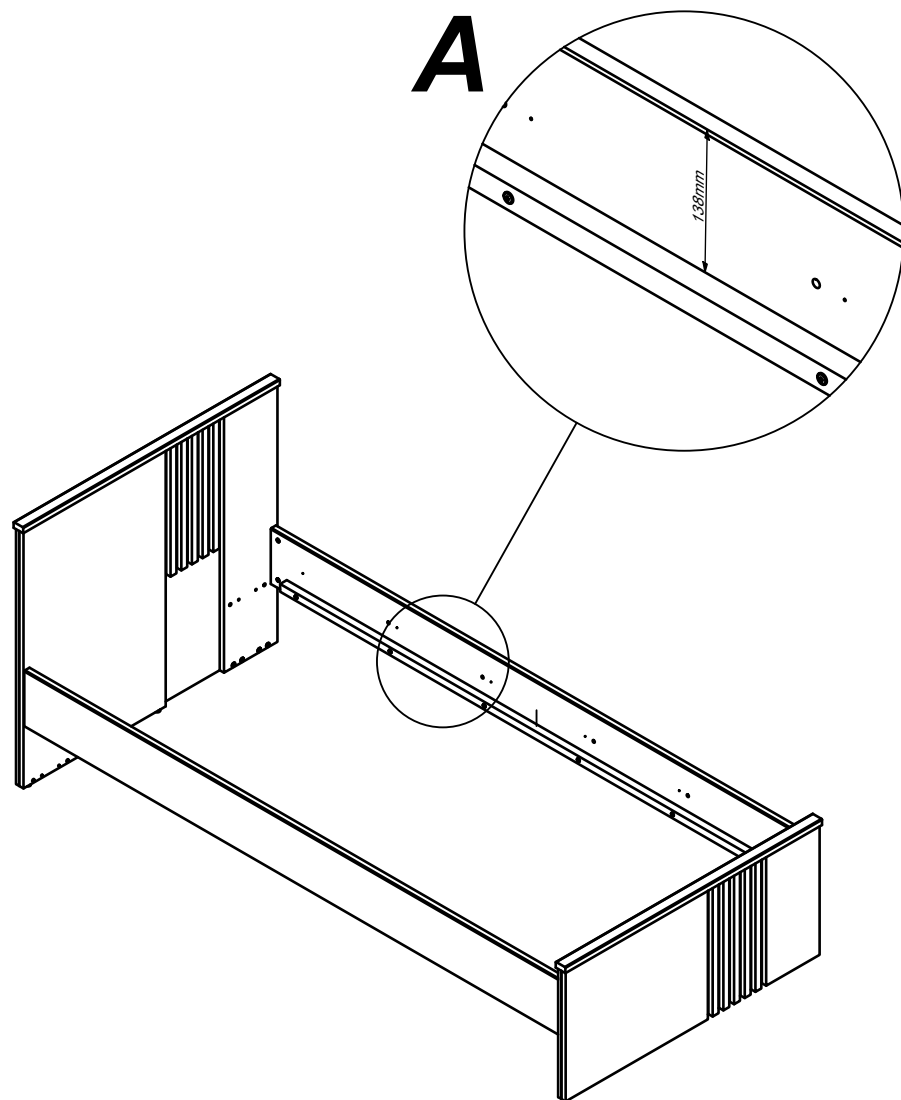
18x

z1



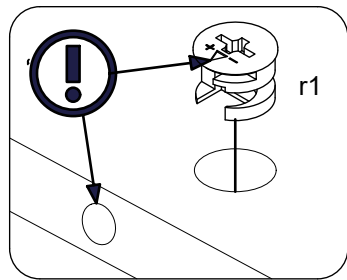
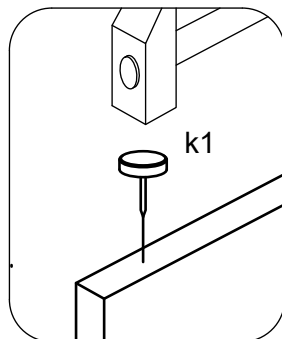
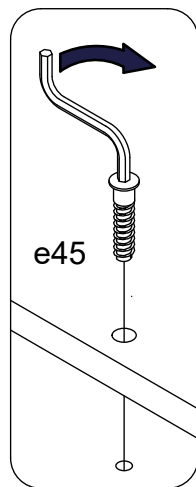
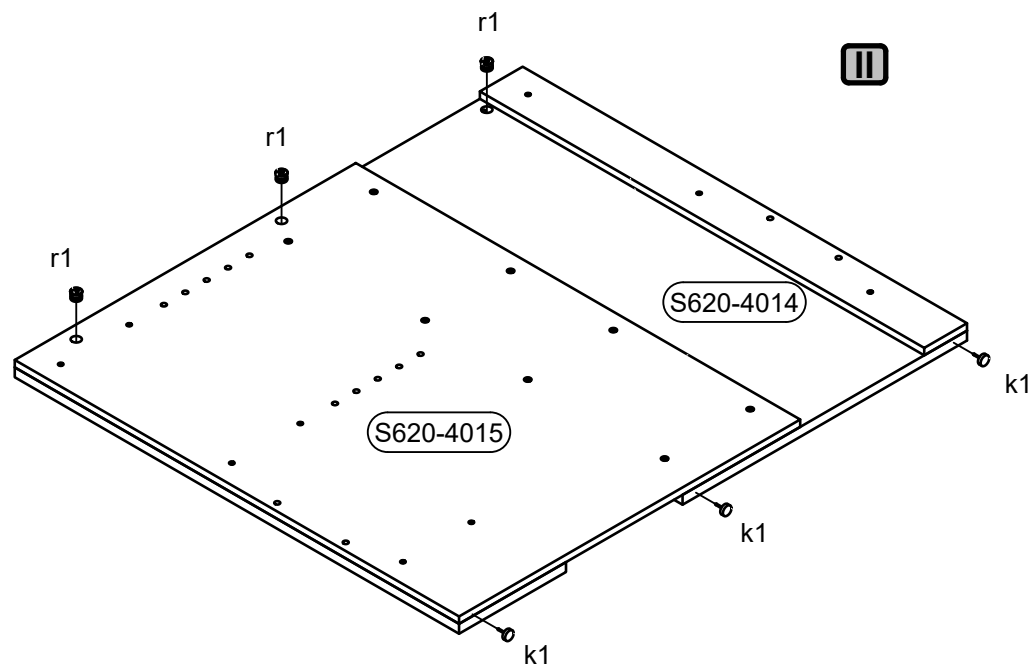
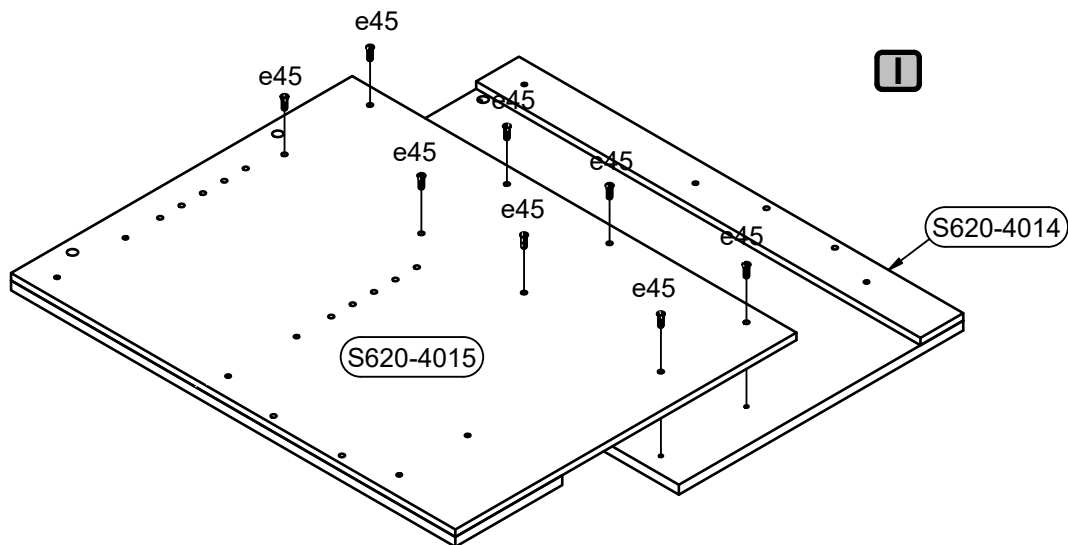
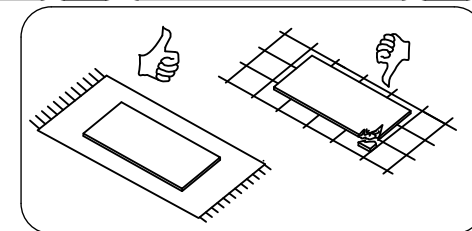
4 mm

1x

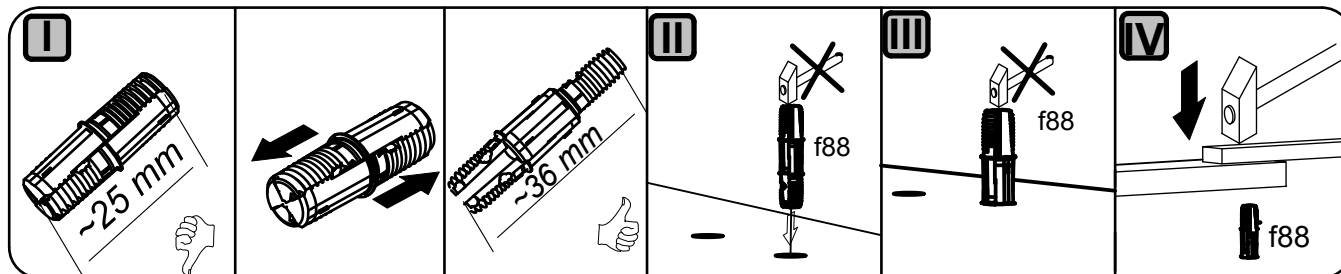
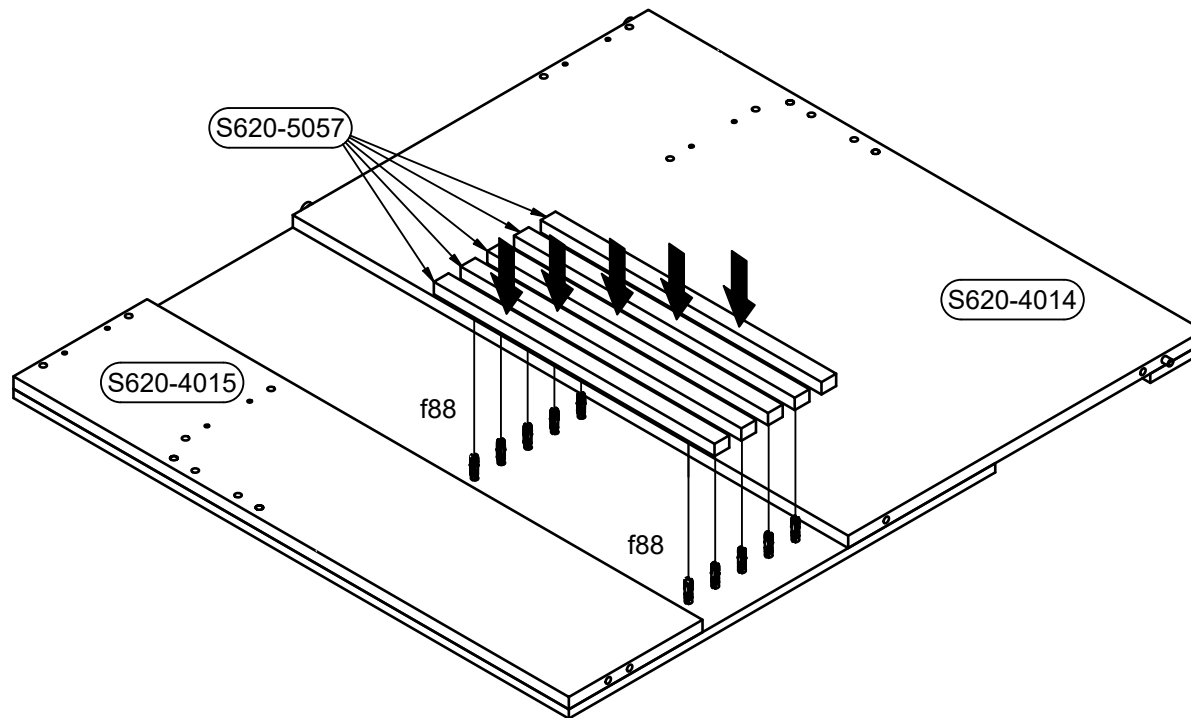
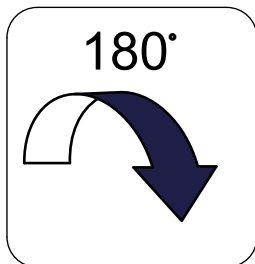




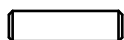

e45  Ø7x24 mm	8x	r1  15x12mm	3x	k1 	3x
---------------------	----	-------------------	----	--------	----

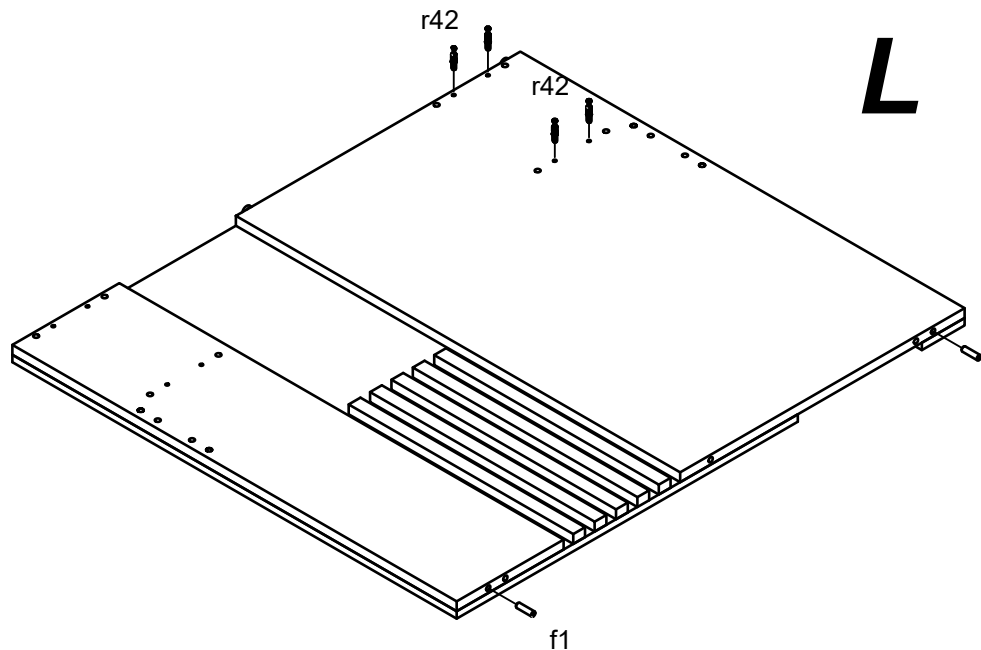


2

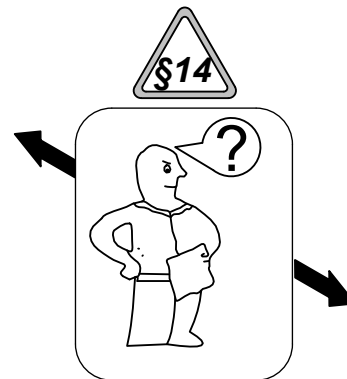


3

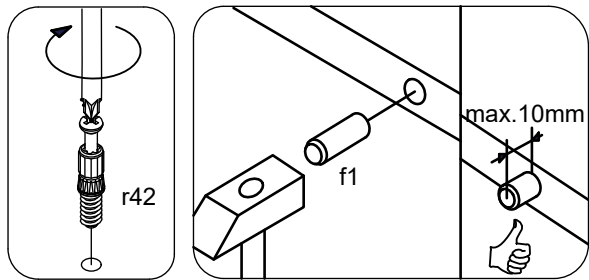
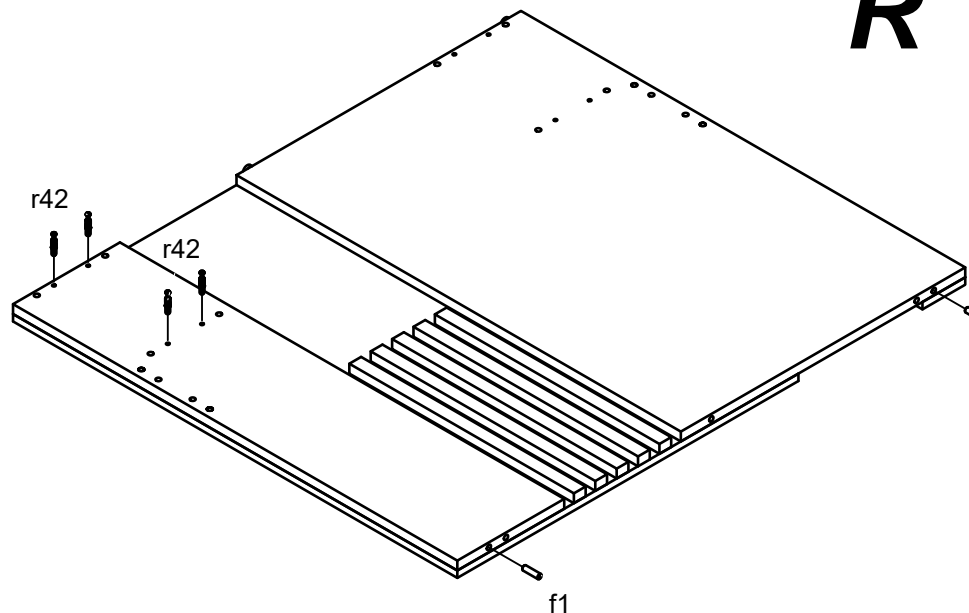
f1  30mm	2x	r42 	4x
---	----	--	----



L

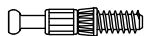


R



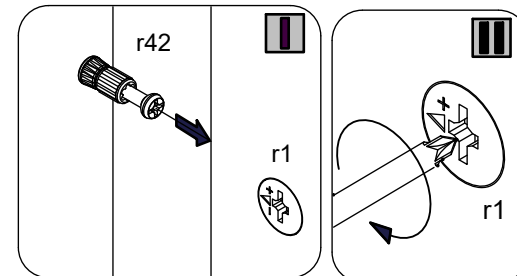
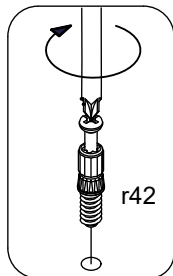
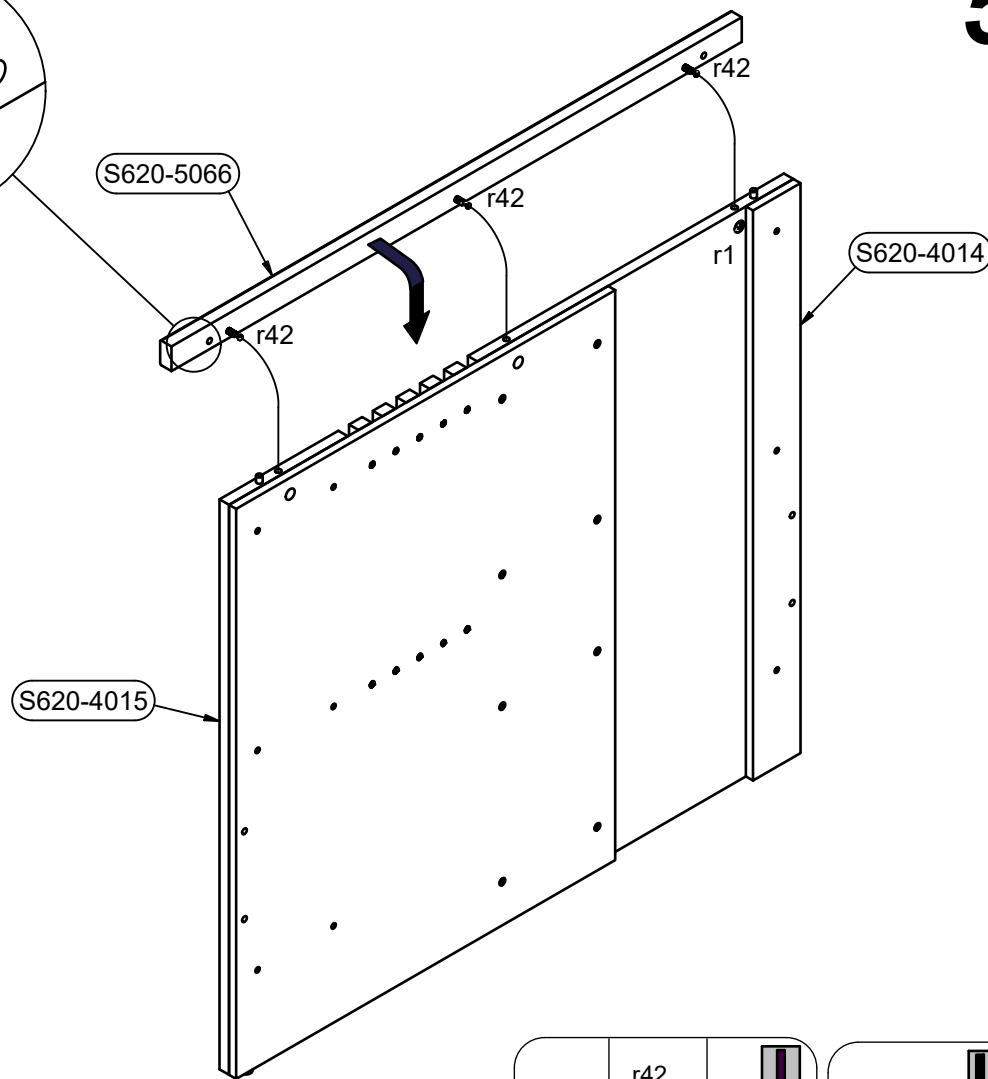
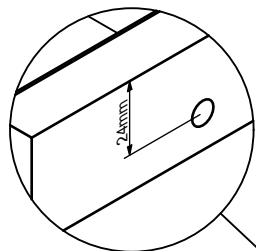
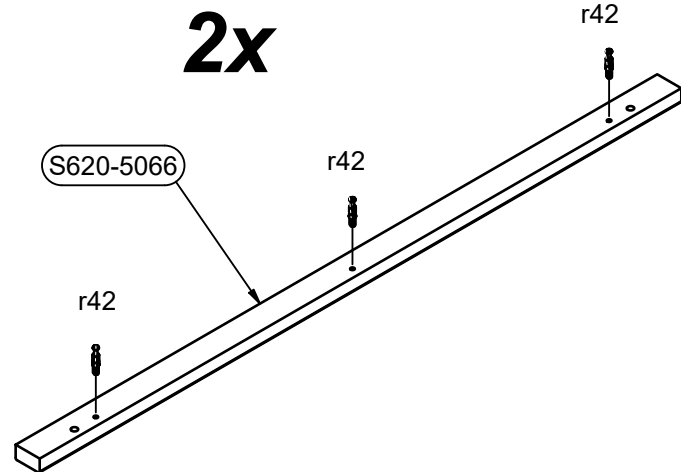
4

r42





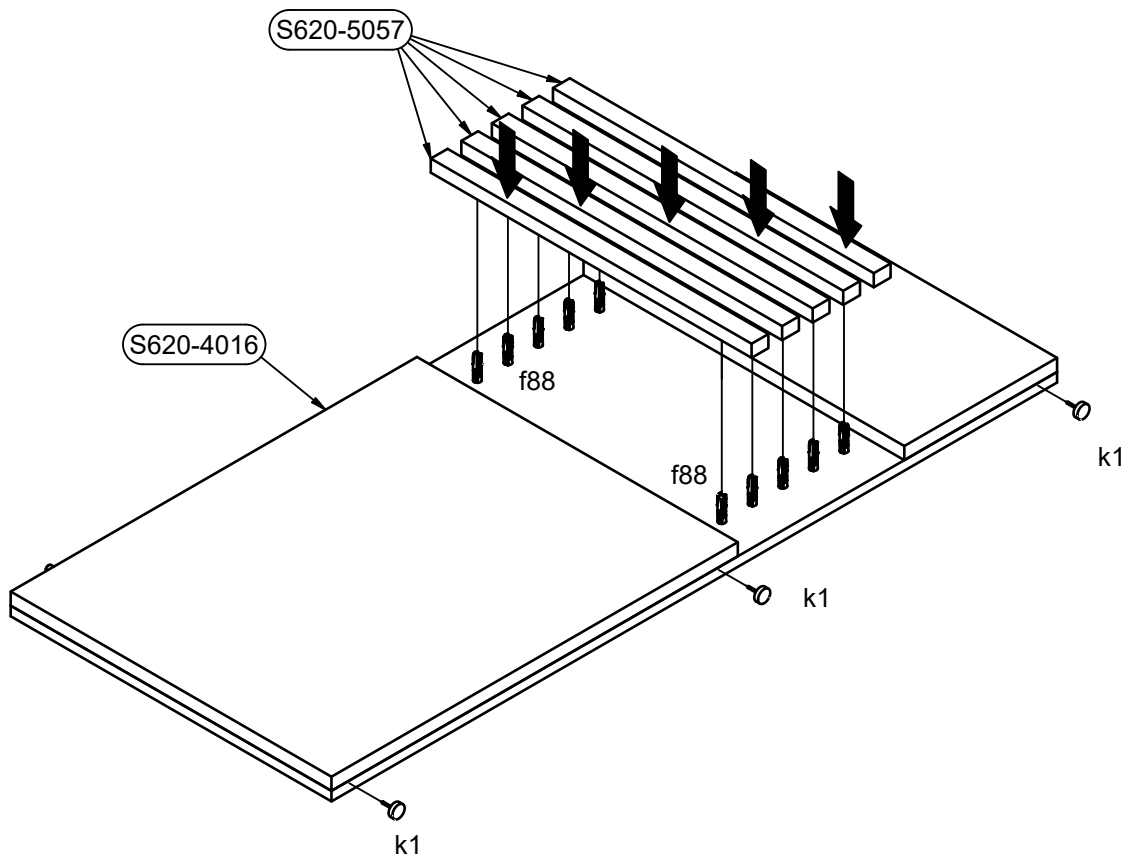
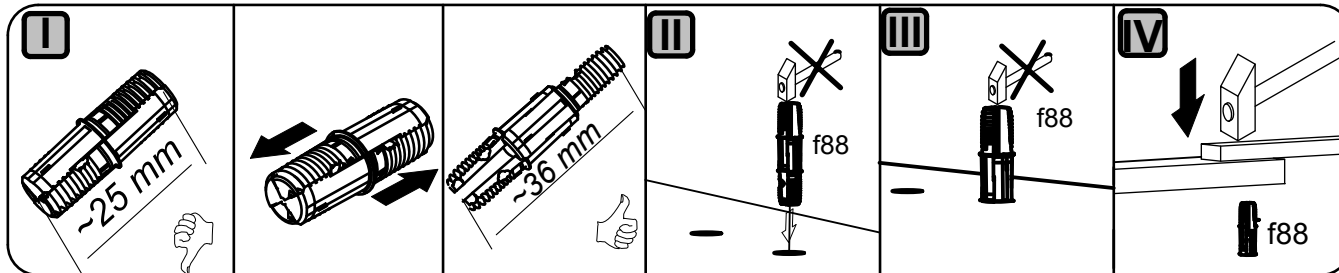
6x

5

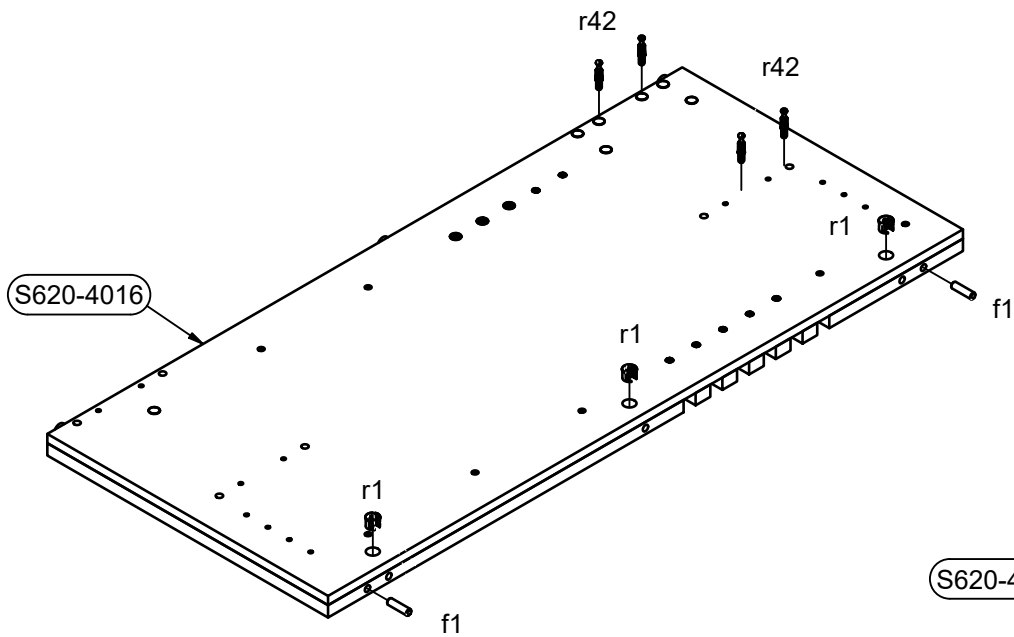
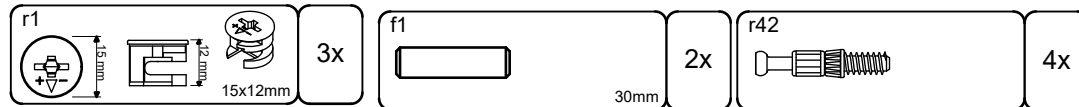
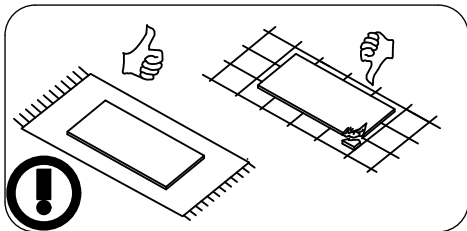


6

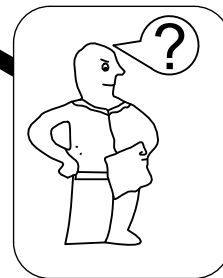
f88		10x
k1		3x



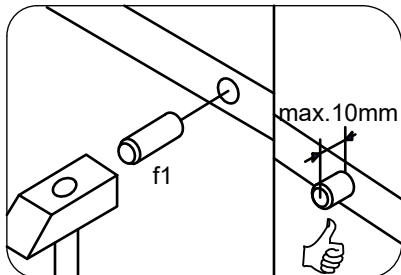
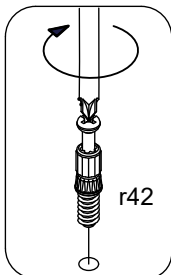
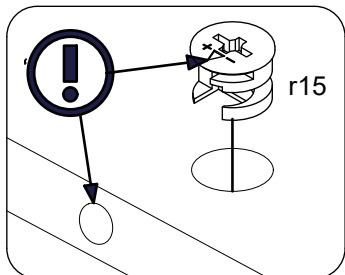
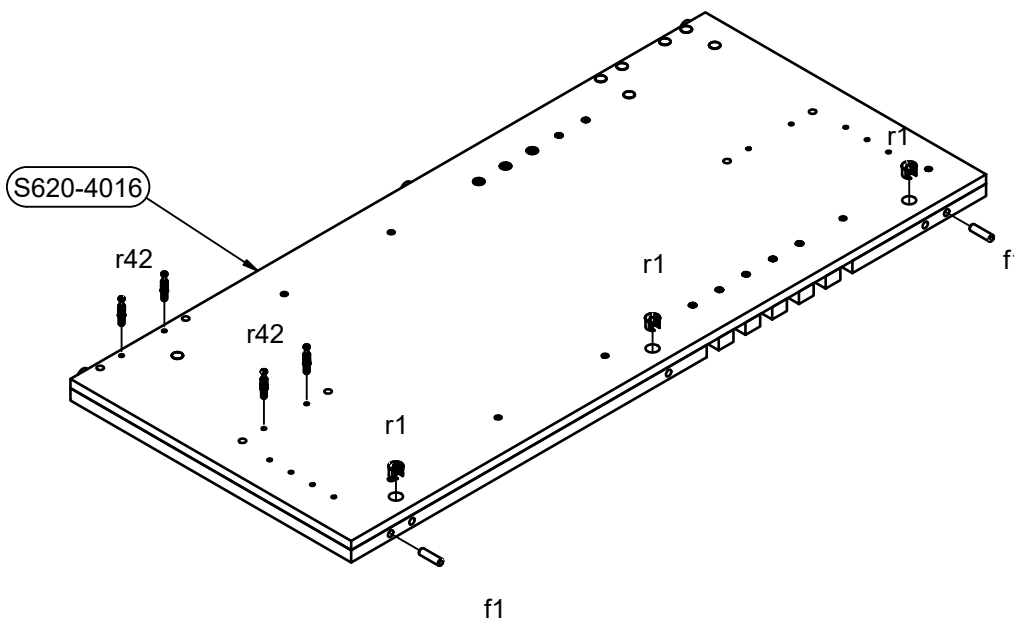
7



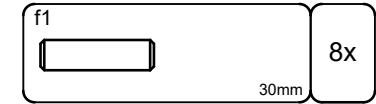
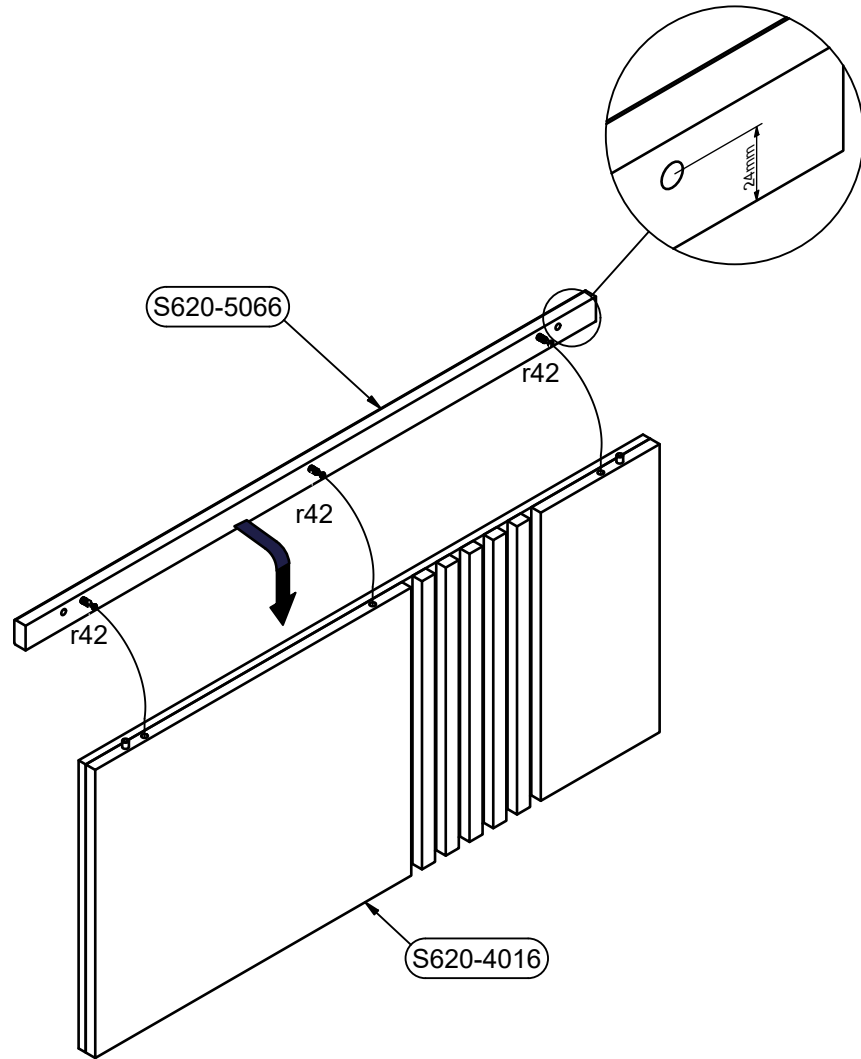
R



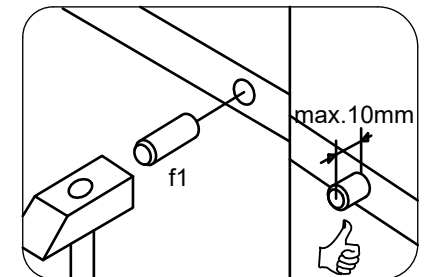
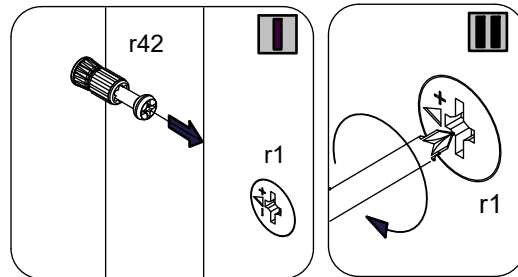
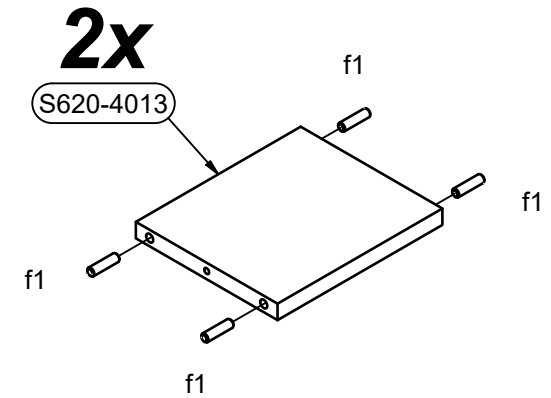
L


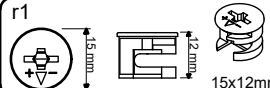
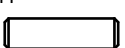


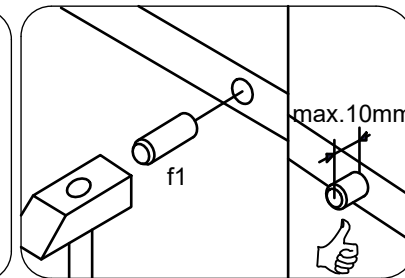
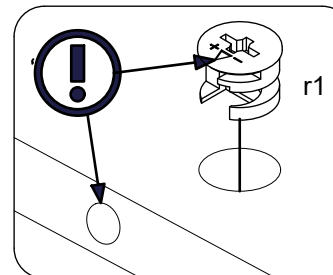
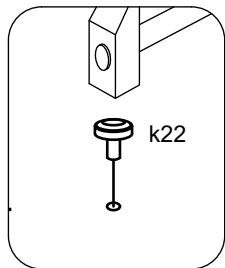
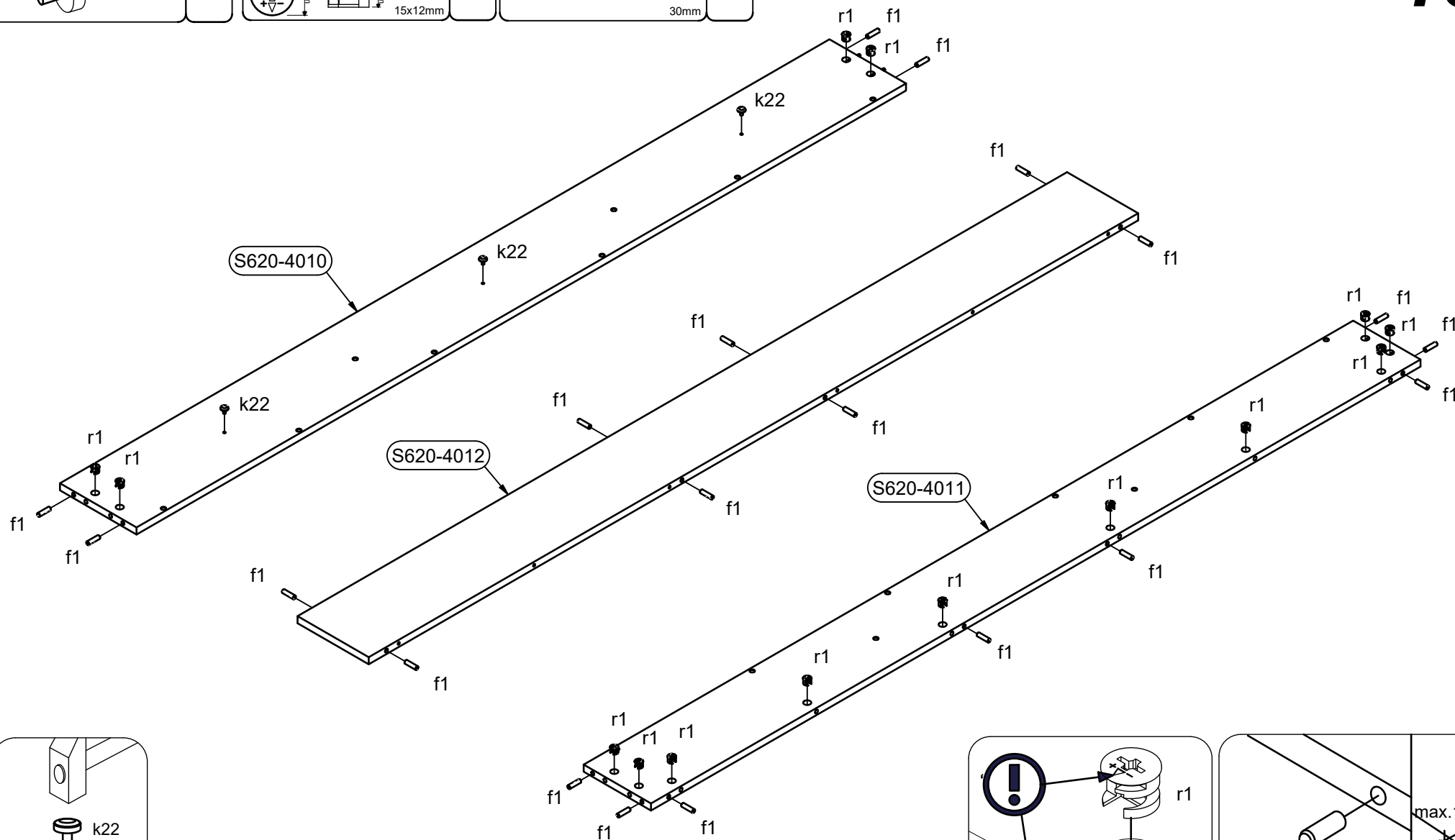
8



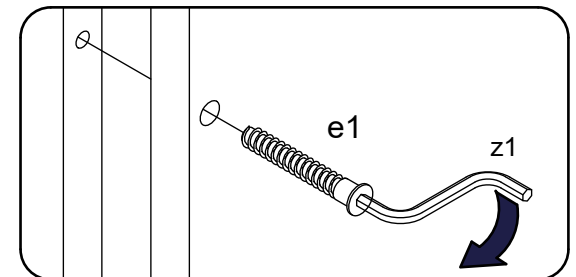
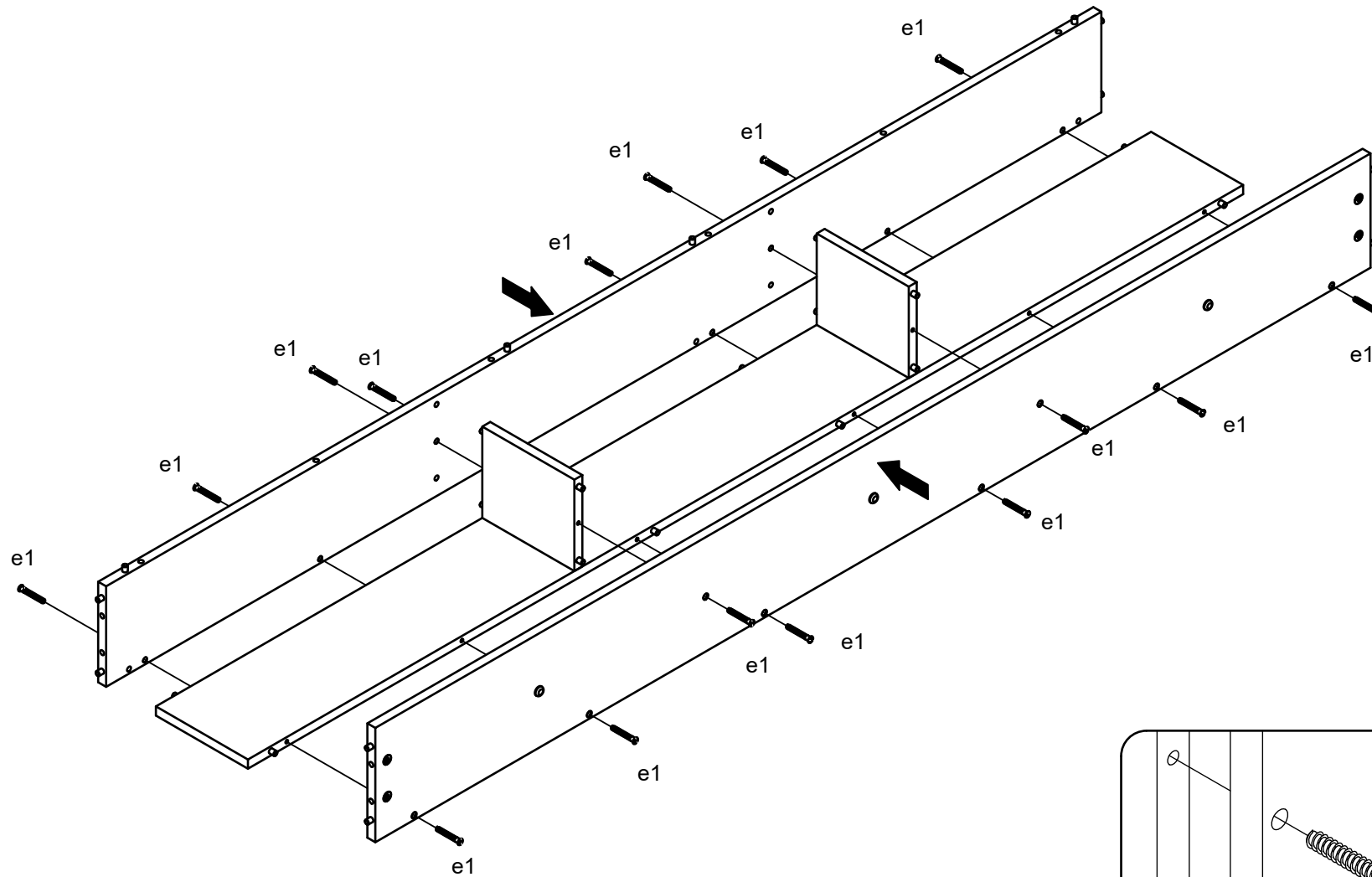
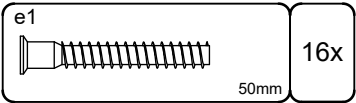
9



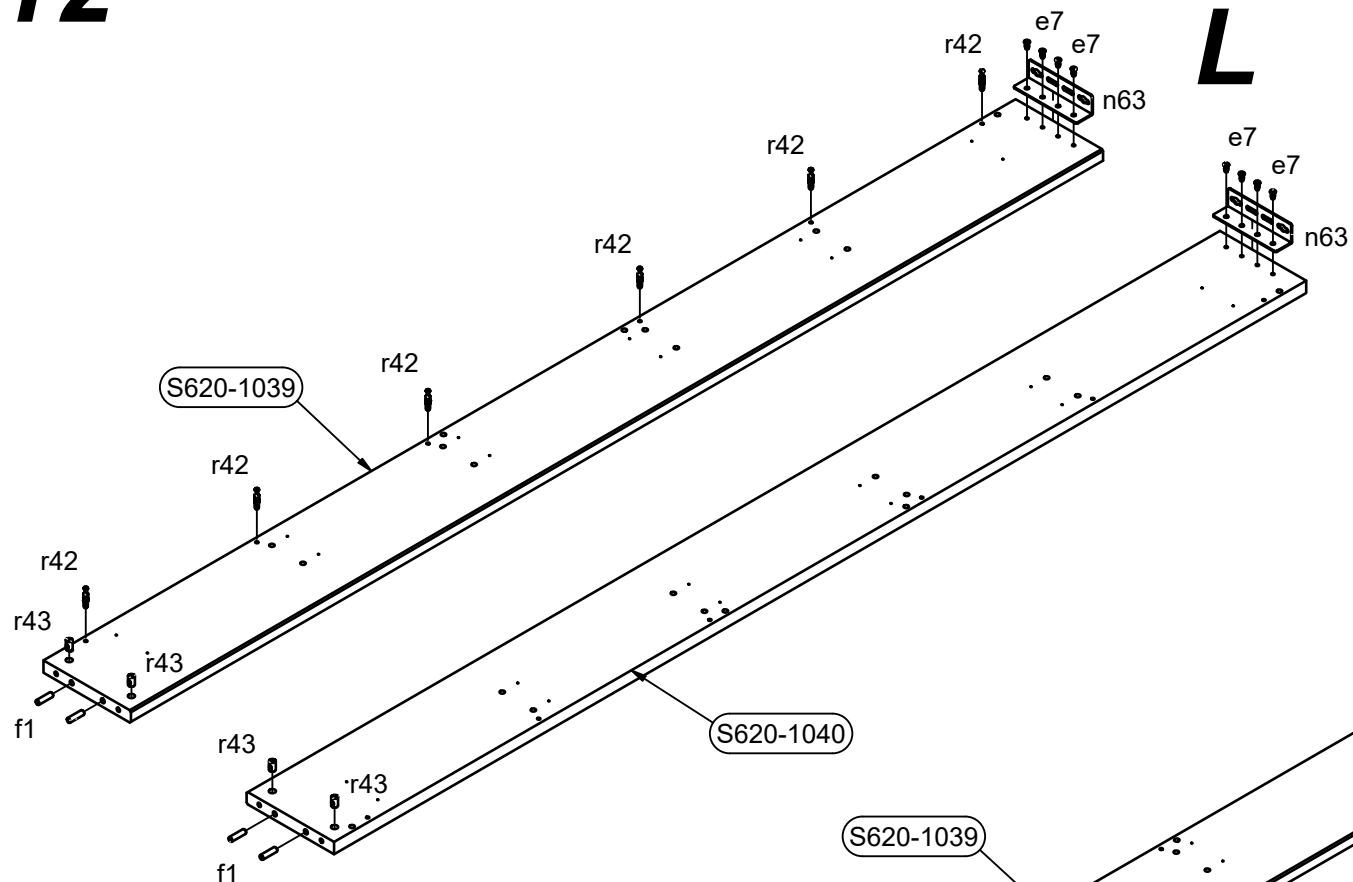
<p>k22</p> 	<p>3x</p>	<p>r1</p> 	<p>14x</p>	<p>f1</p> 	<p>20x</p> <p>30mm</p>
--	-----------	---	------------	---	------------------------

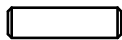
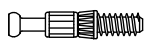
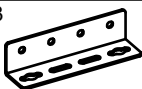




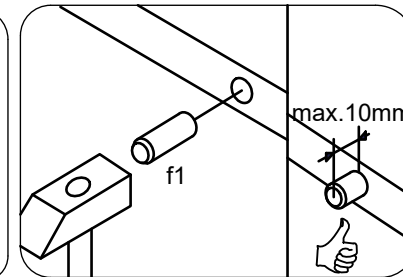
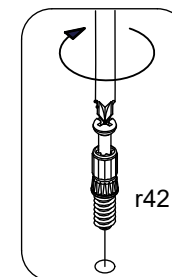
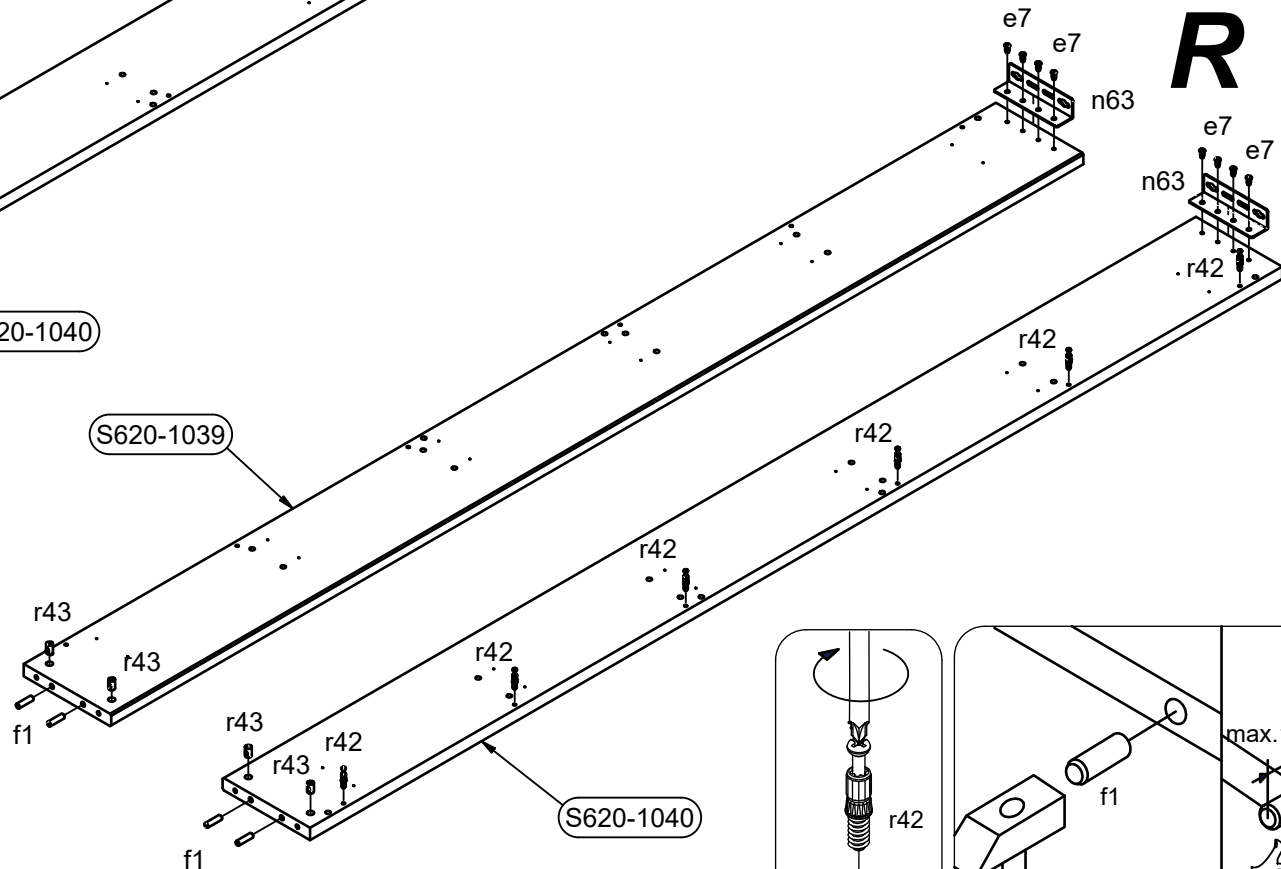
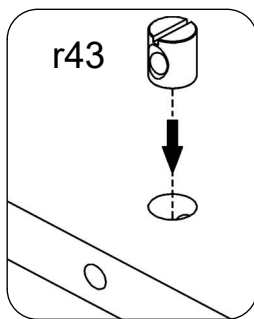
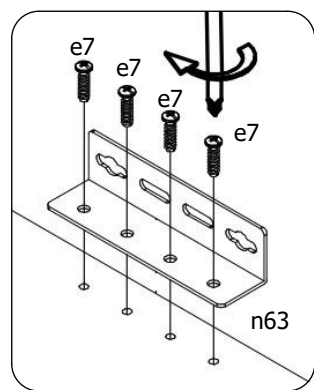
11



# 12



f1  30mm	4x	r42 	6x
n63 	2x	e7  Ø6.3x16 mm	8x
		r43 	4x

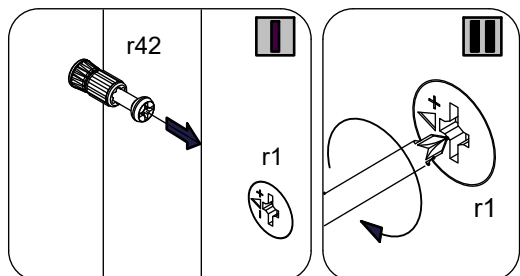
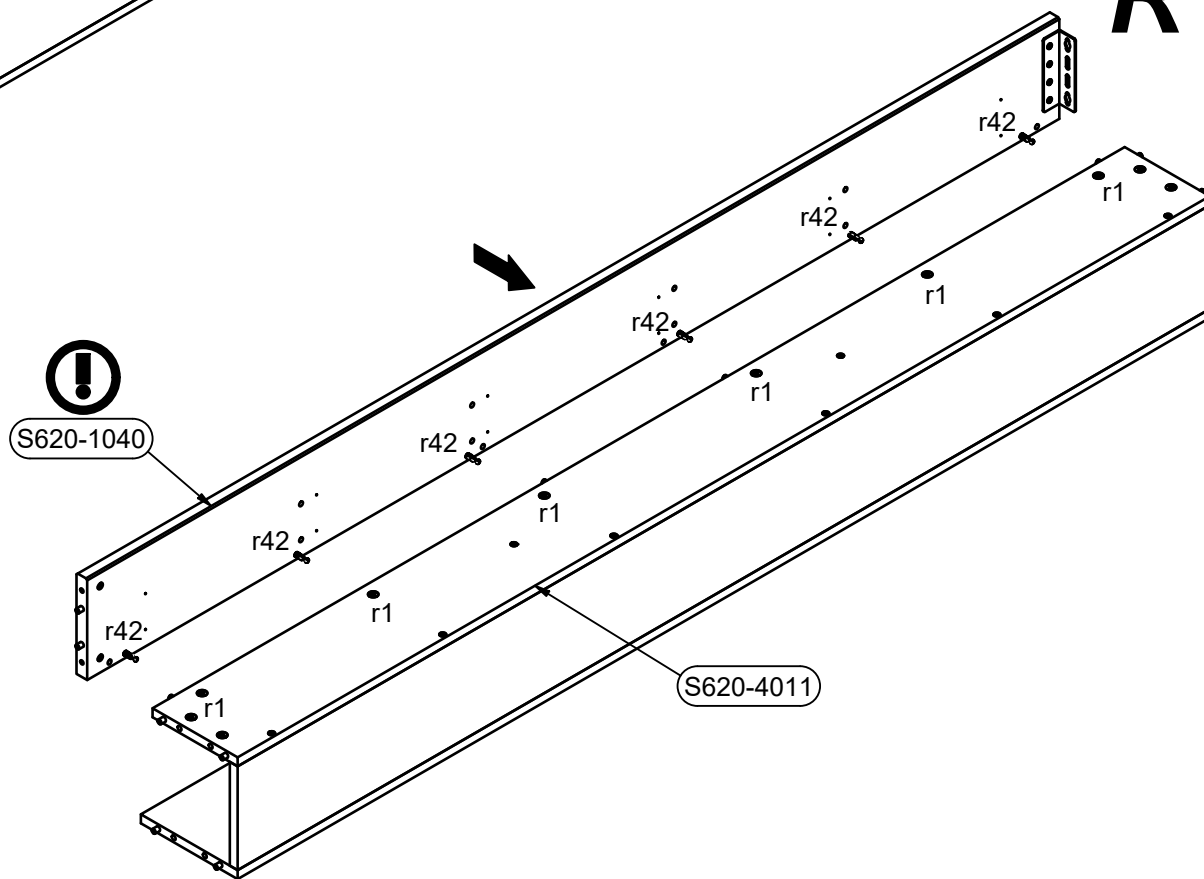
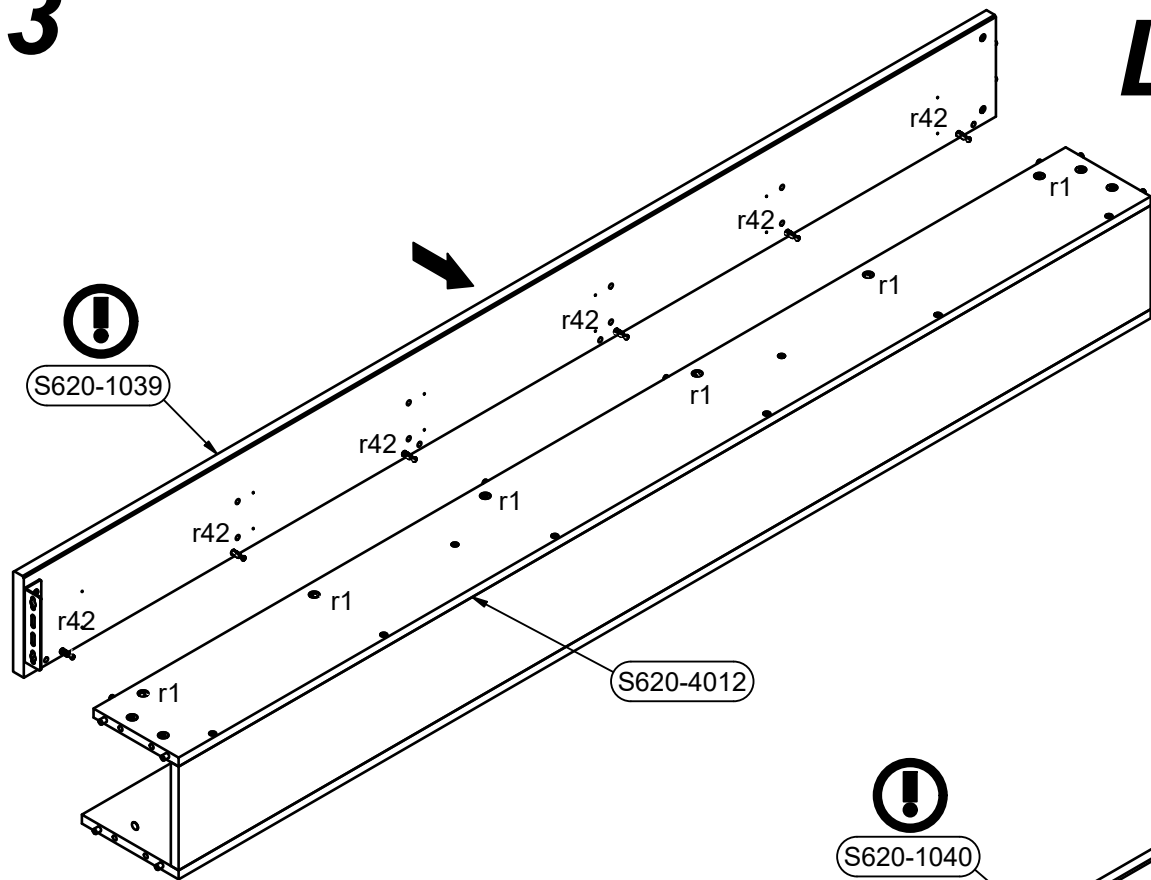


# 13



## L

## R

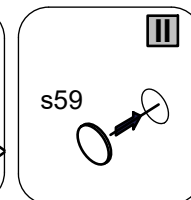
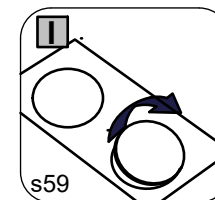
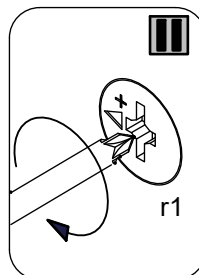
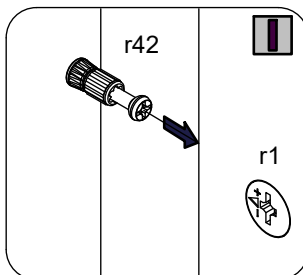
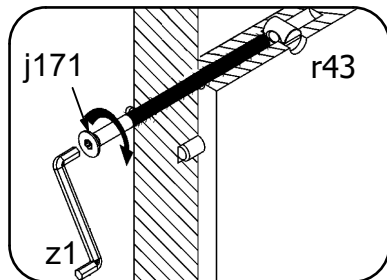
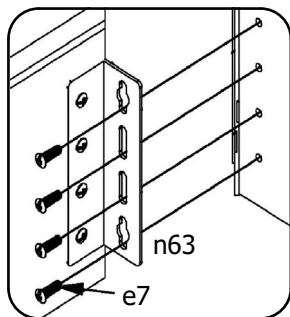
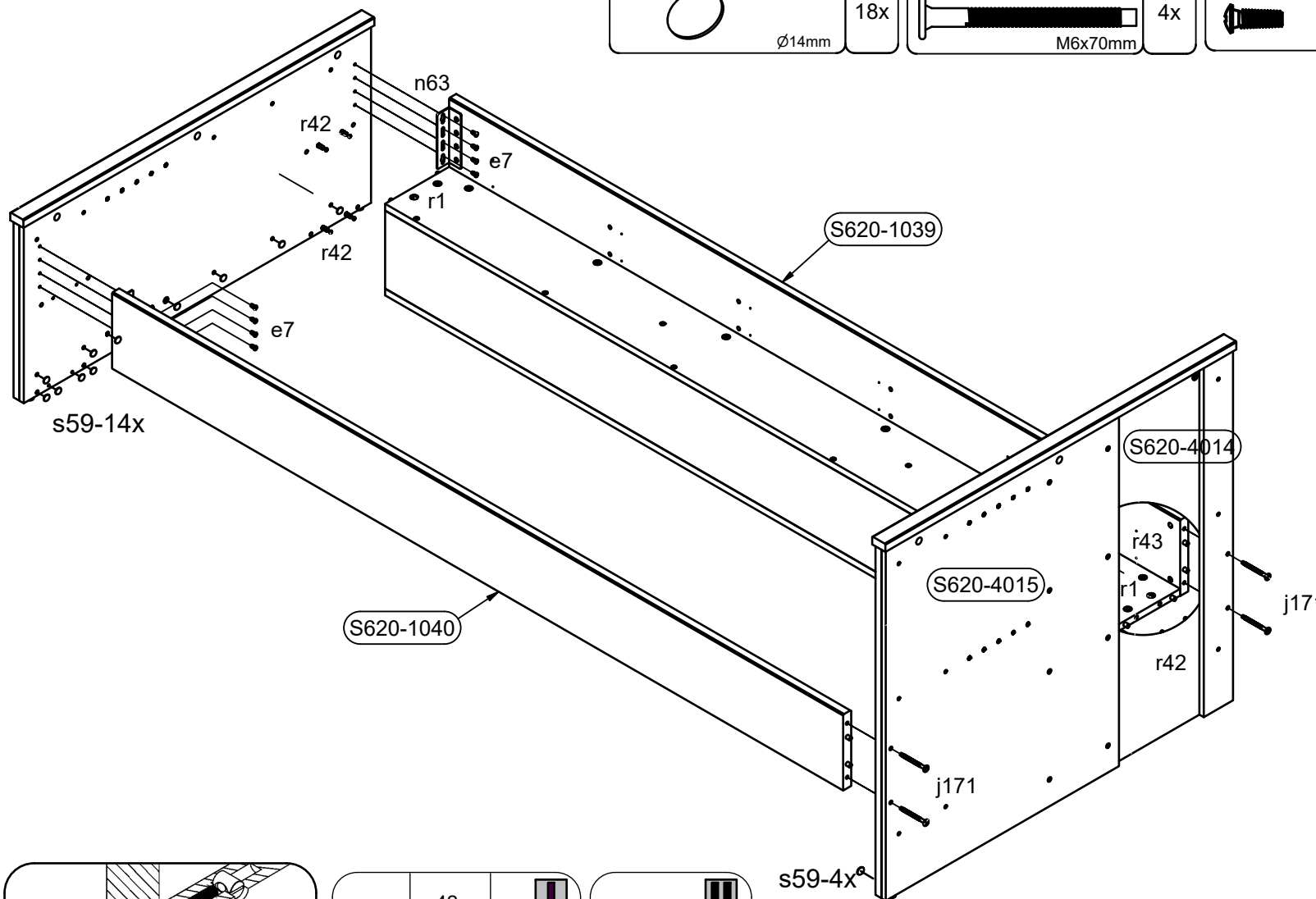


14  
L

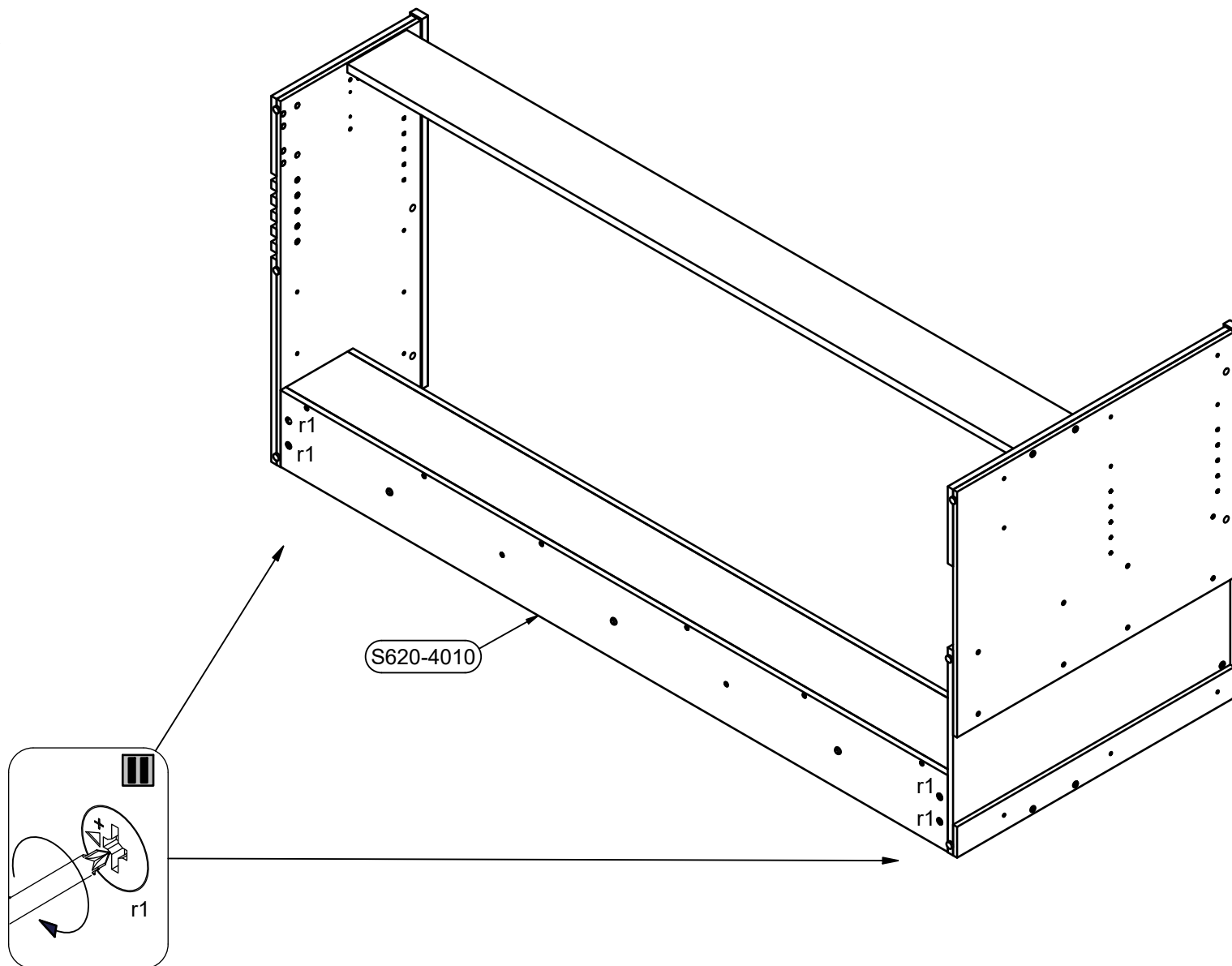


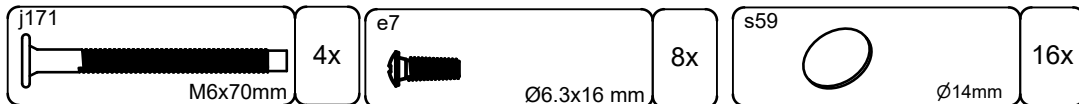
S620-5066

<p>s59 Ø14mm</p>	<p>18x</p>	<p>j171 M6x70mm</p>	<p>4x</p>	<p>e7 Ø6.3x16 mm</p>	<p>8x</p>
----------------------	------------	-------------------------	-----------	--------------------------	-----------



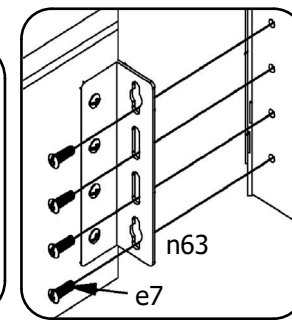
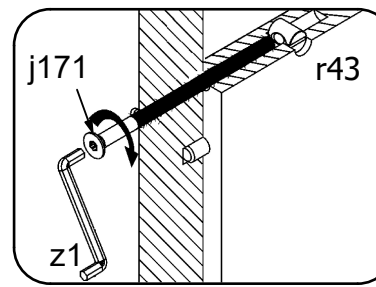
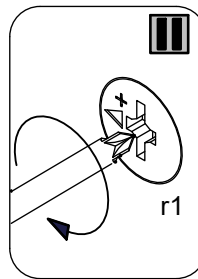
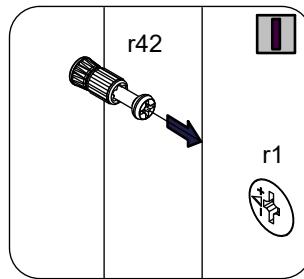
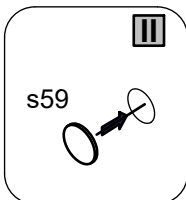
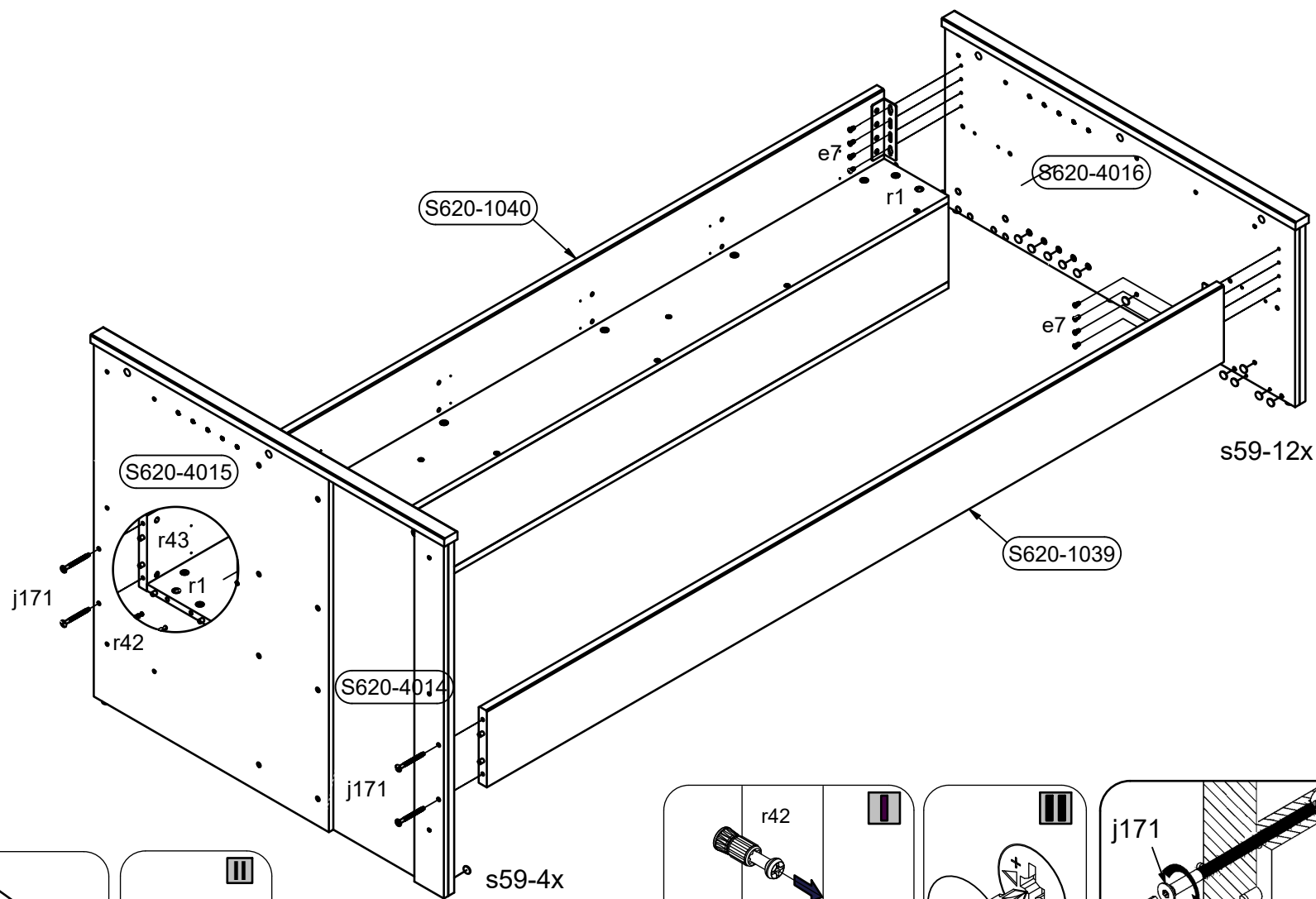
15  
L



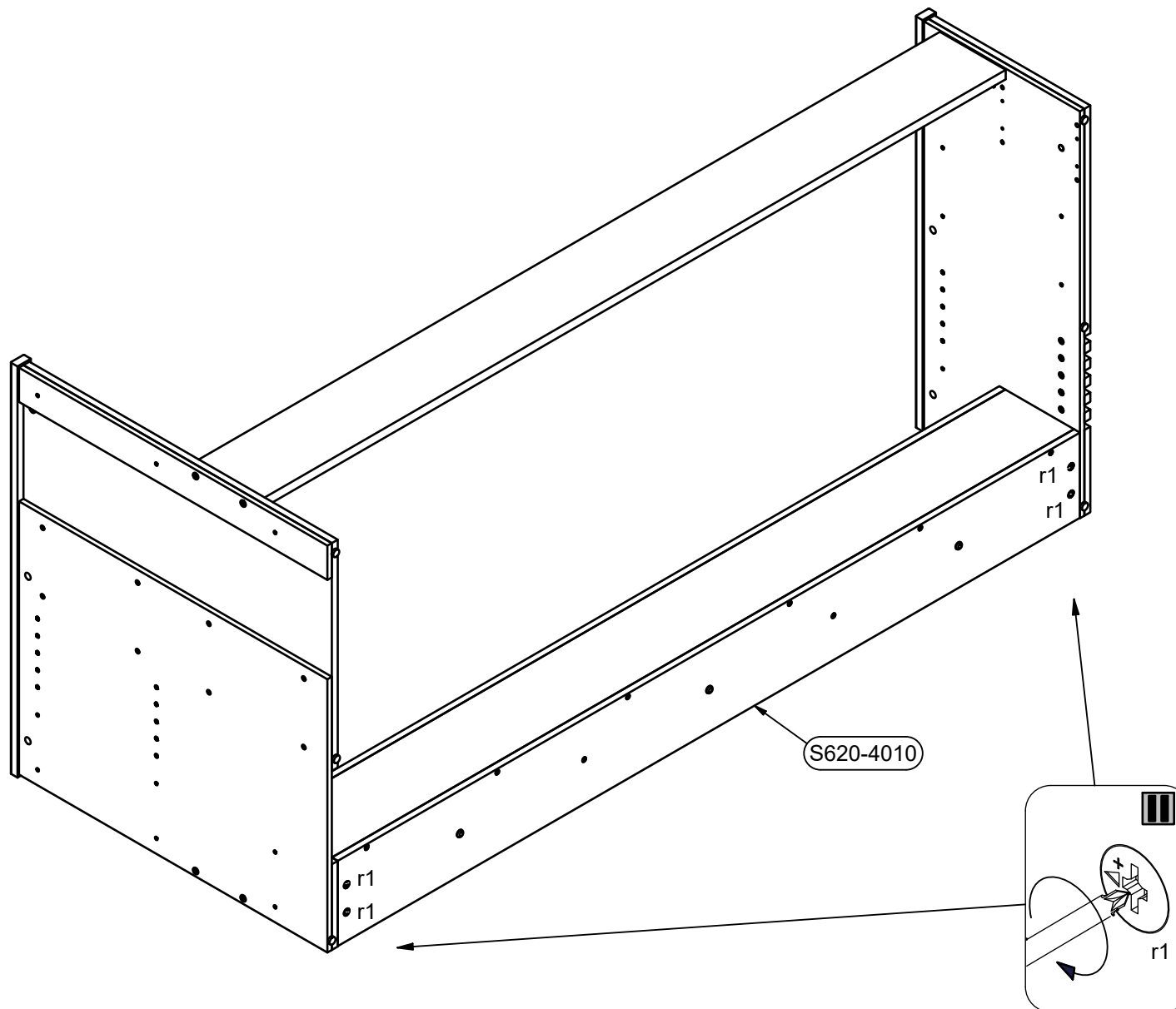


14

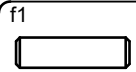
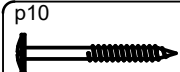
R

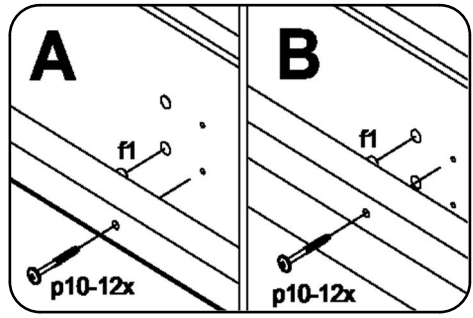
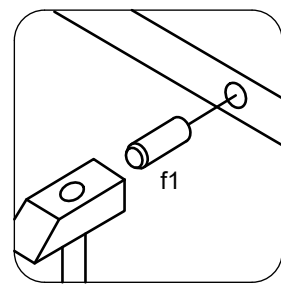
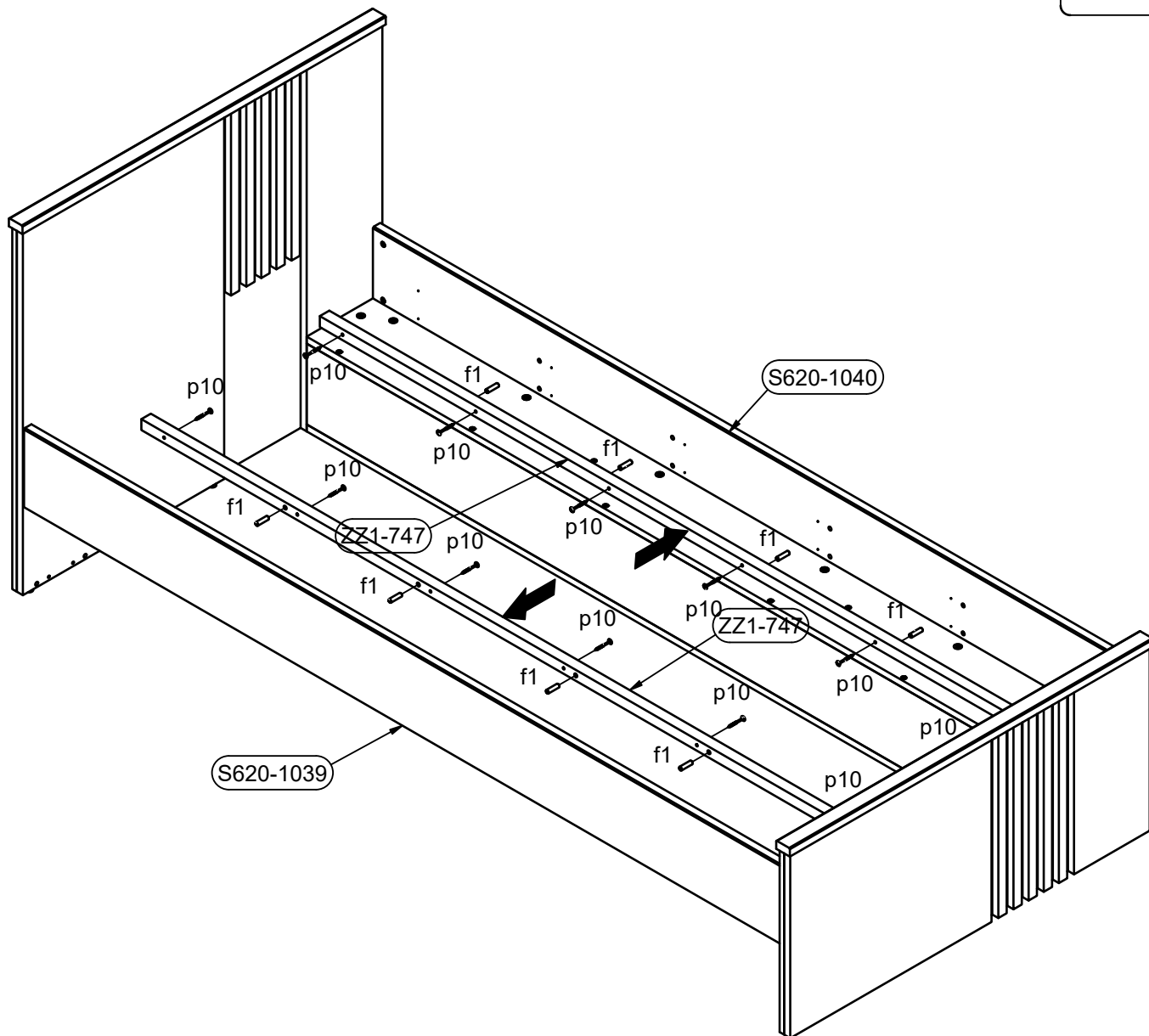


15  
R

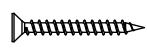


# 16

f1  30mm	8x	p10  Ø4x40 mm	12x
---	----	--	-----



# 17

p6		6x
Ø4x35 mm		

