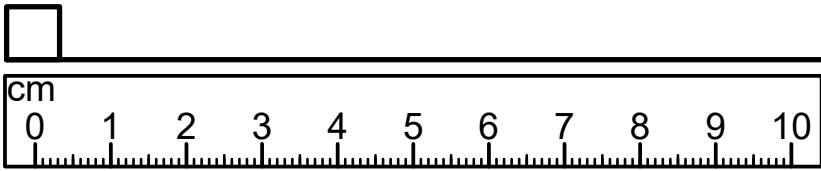
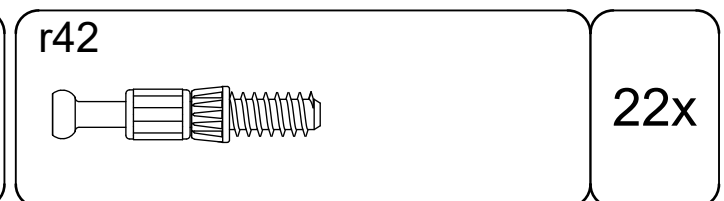
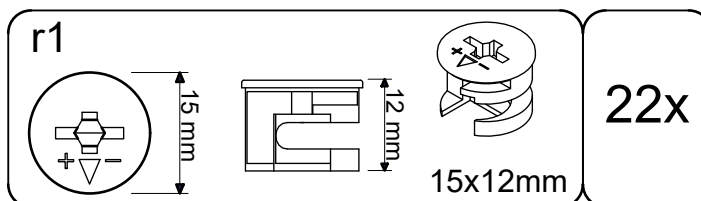
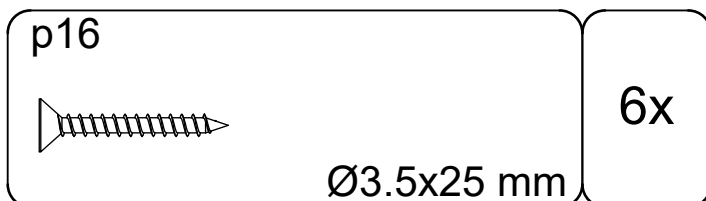
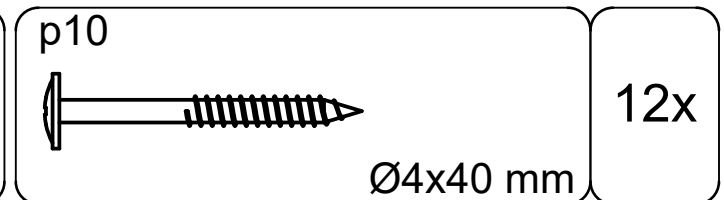
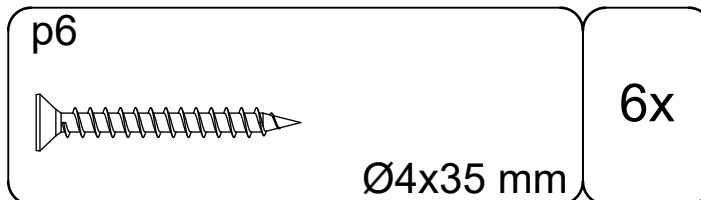
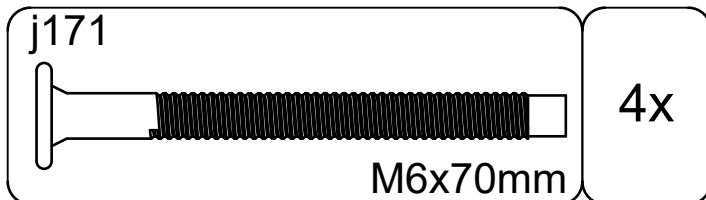
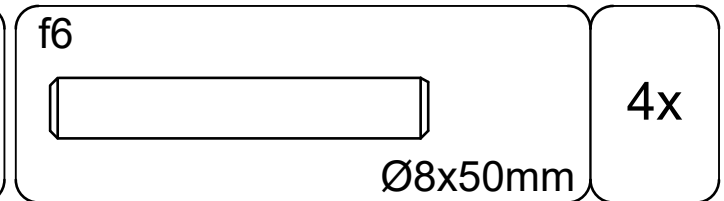
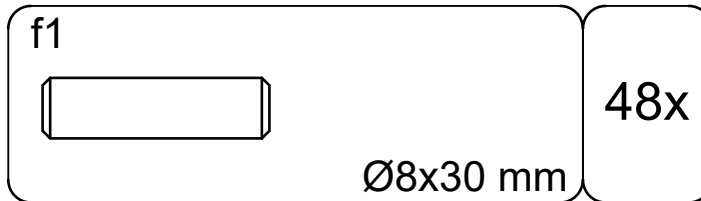
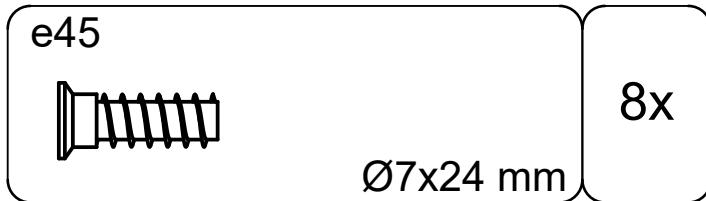
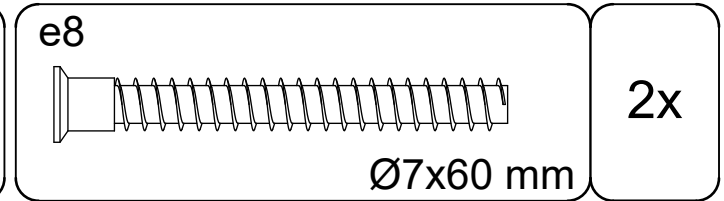
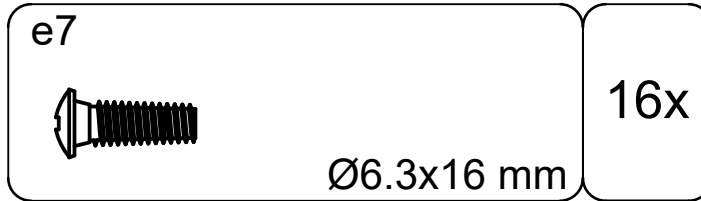
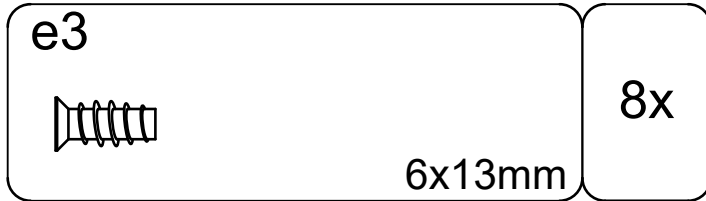
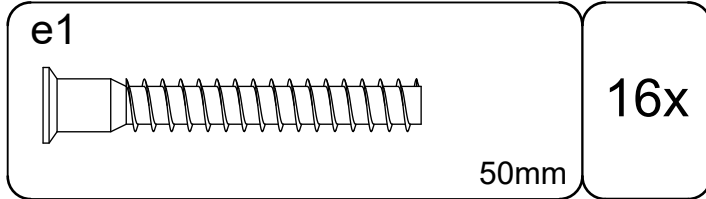
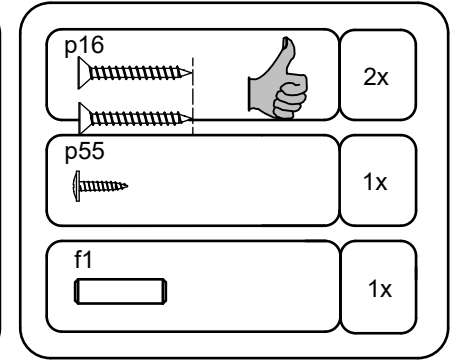
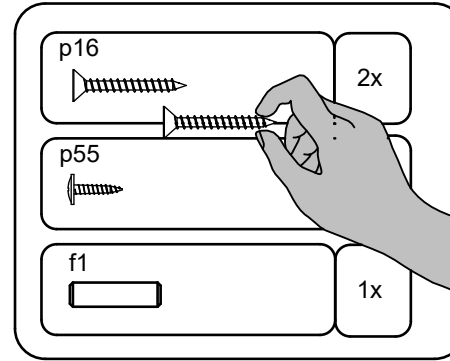


	B1	B2	C1	C2	C3	C4	D
S620-1039	-.1	2000	180	22	1	1/2	
S620-1040	-.1	2000	180	22	1	1/2	
S620-4010	-.1	2000	199	16	1	1/2	
S620-4011	-.2	2000	175	16	1	1/2	
S620-4012	-.1	2000	185	16	1	1/2	
S620-4013	-.1	185	159	16	2	2/2	
S620-4015	-.1	638	831	28	1	2/2	
S620-4017	-.1	831	831	28	1	2/2	
S620-4018	-.1	1250	420	28	1	2/2	
S620-5057	-.12	420	22	16	10	2/2	
S620-5067	-.1	1260	36	19	2	2/2	
ZZ1-431	-.3	64	70	27	2	1/2	
ZZ1-460		221	70	27	2	1/2	
ZZ1-719	-.3	1983	70	27	1	1/2	
ZZ1-747	-.2	1880	25	25	2	1/2	

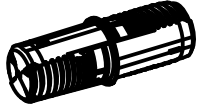
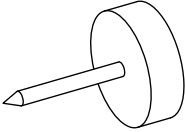
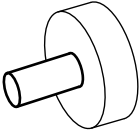
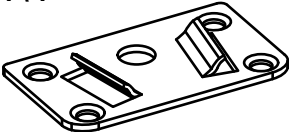
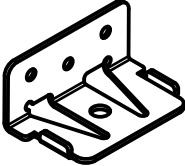
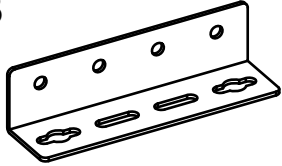
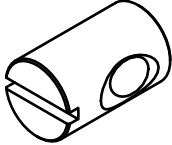
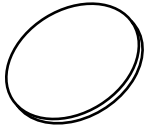
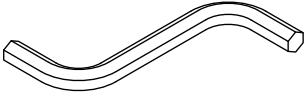


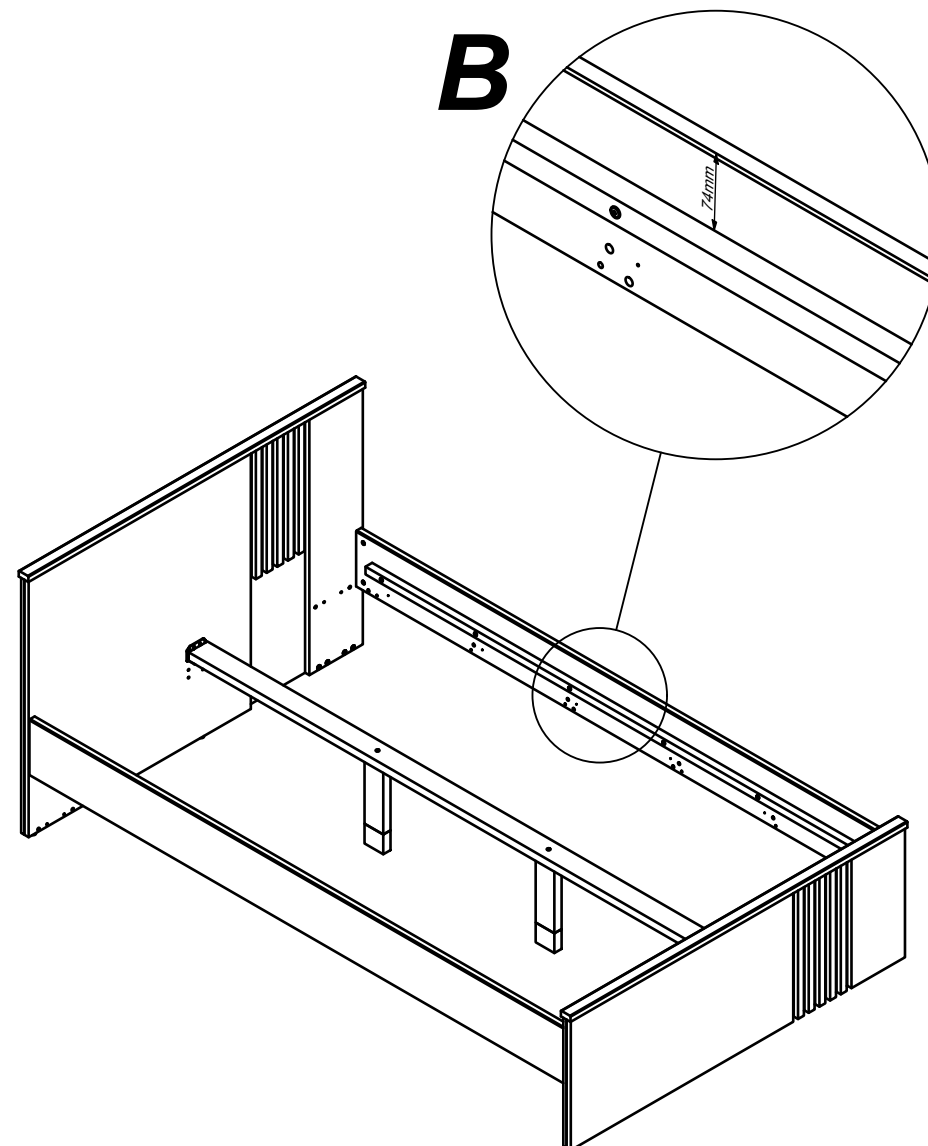
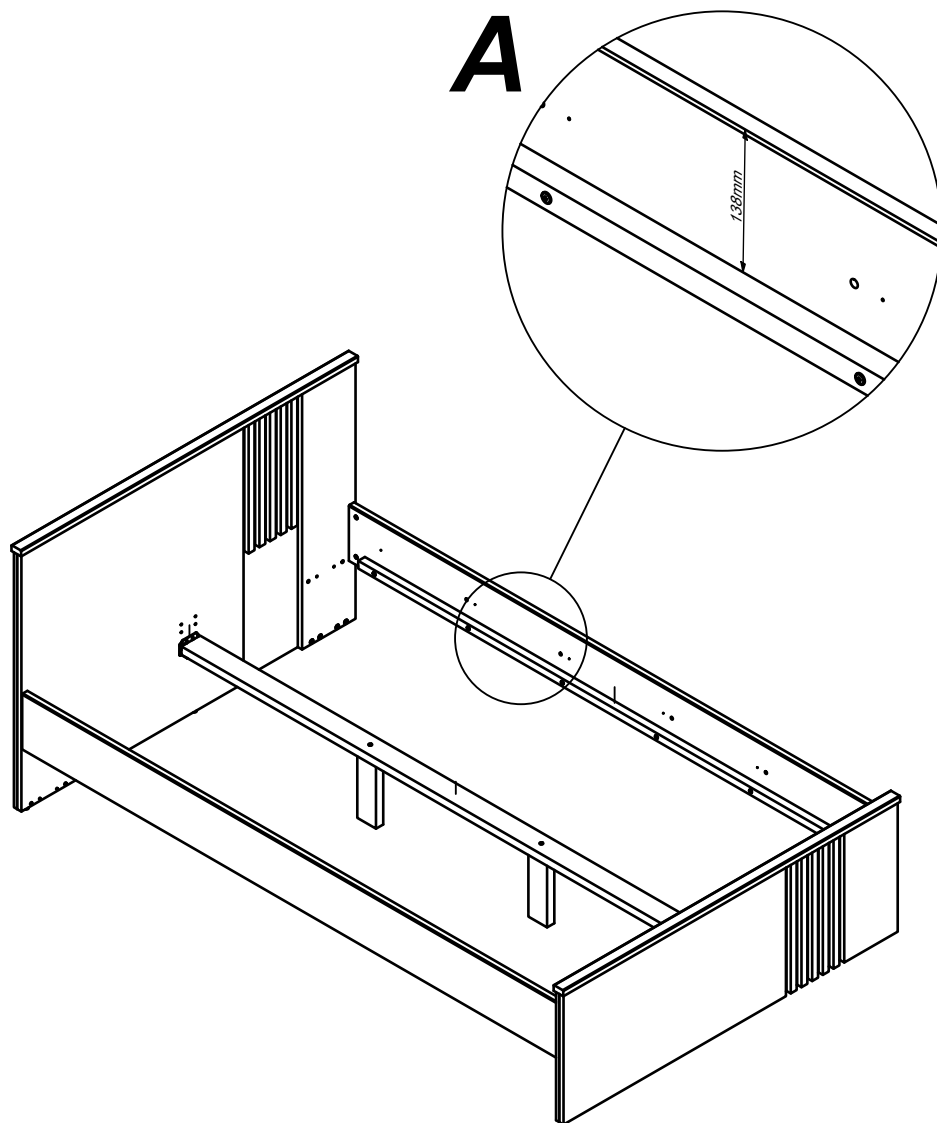
1:1





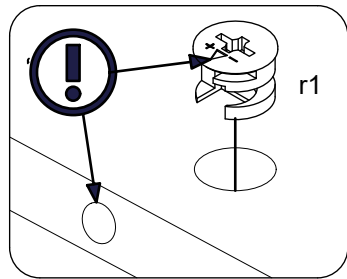
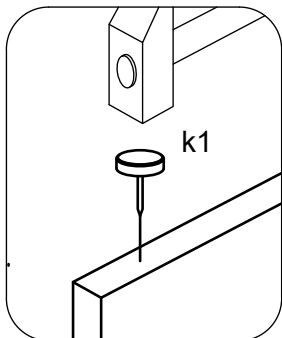
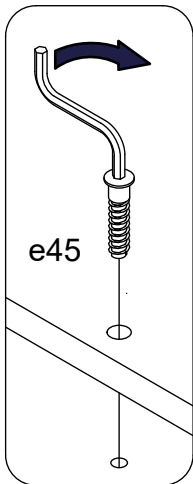
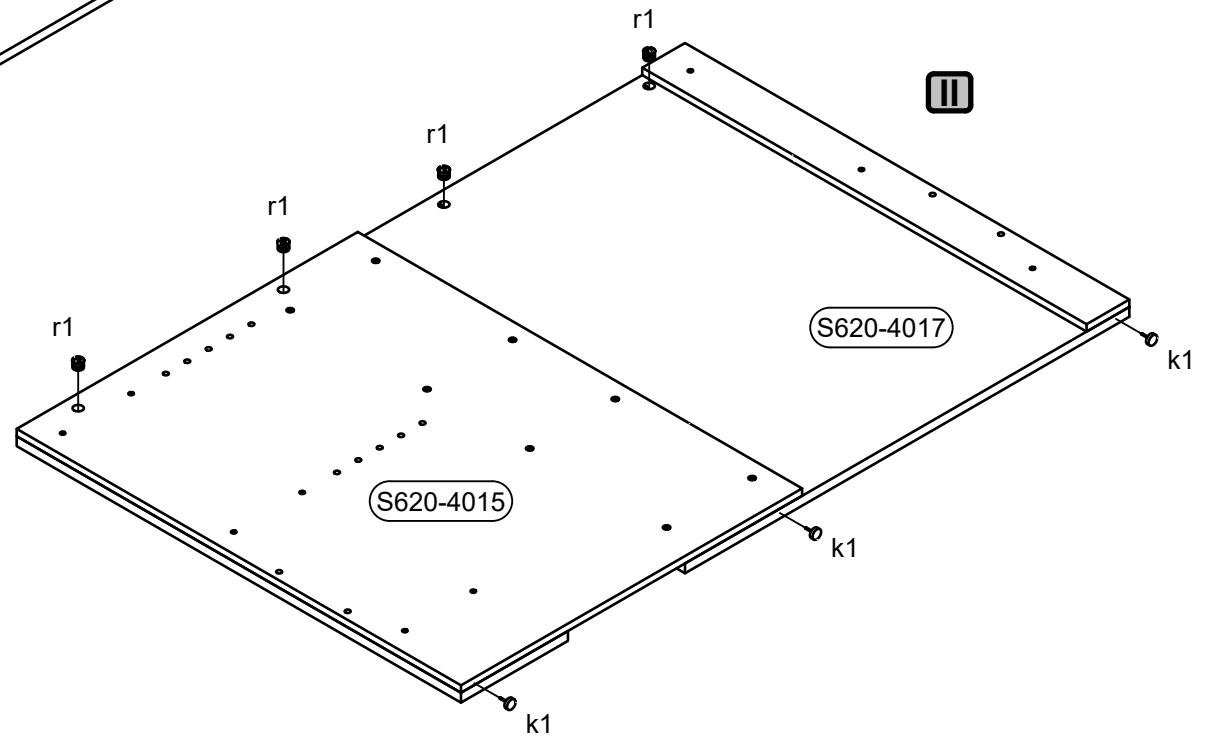
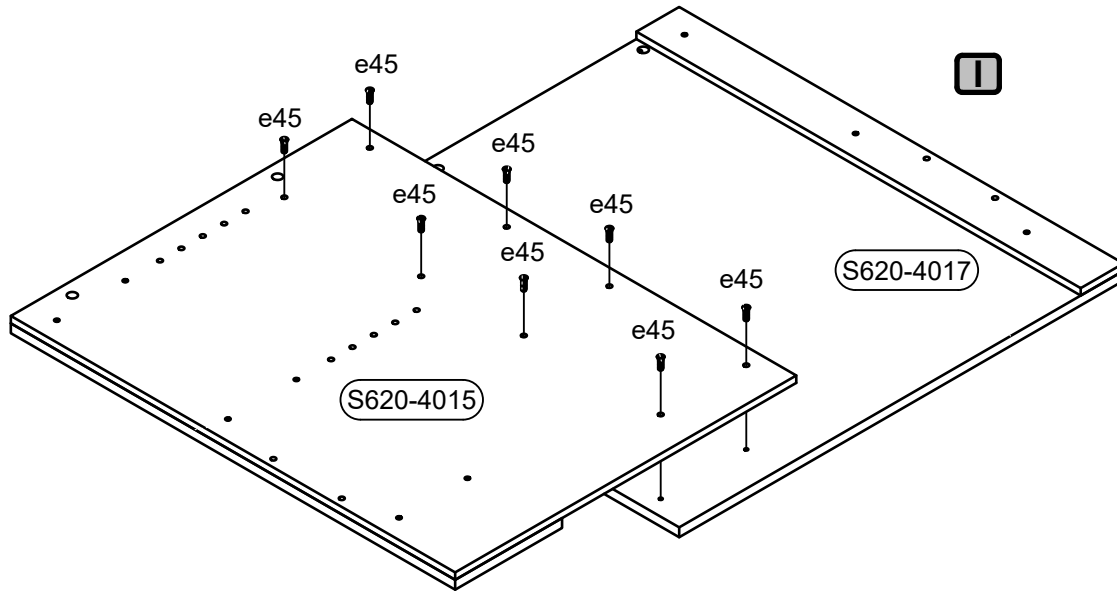
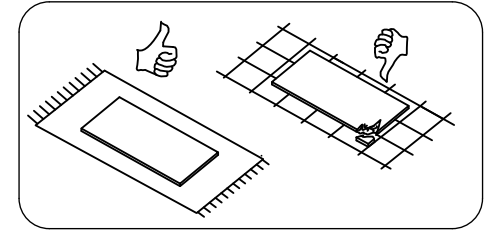
~~1:1~~

f88 	20x	k1 	6x		
k22 	3x	n34\1 	2x	n34\2 	2x
n63 	2x	r43 	4x	s59  Ø14mm	18x
z1  4 mm	1x				

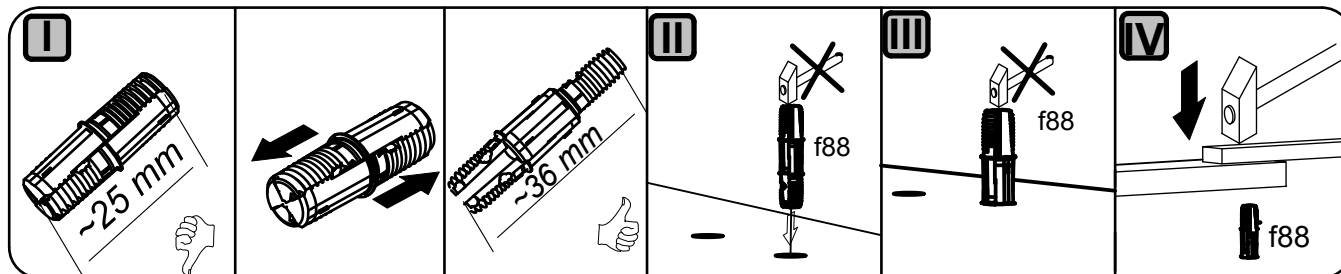
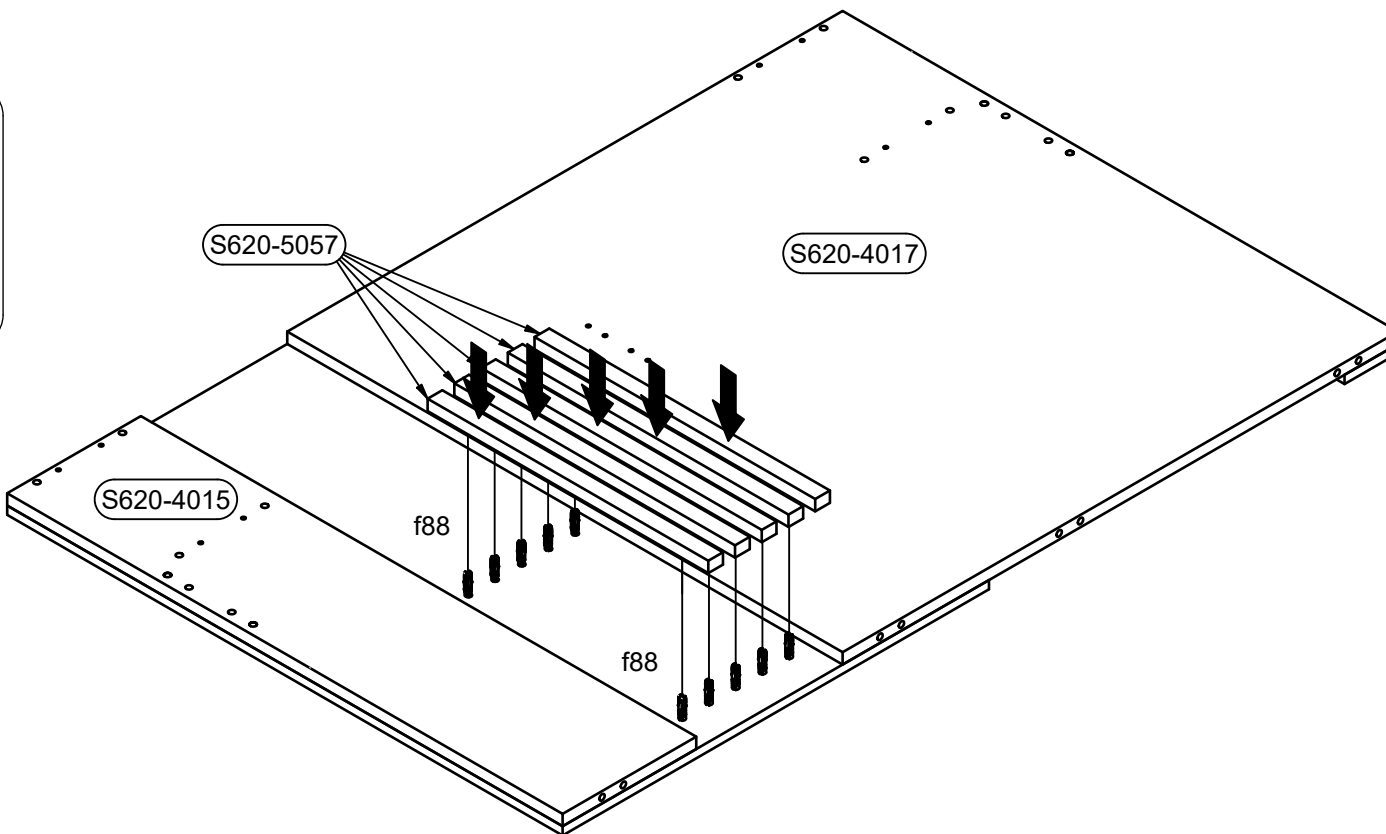
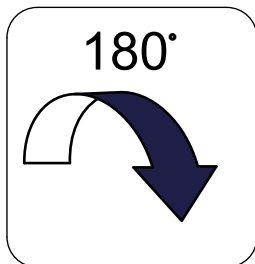






e45 Ø7x24 mm	8x	r1 15 mm 12 mm 15x12mm	4x	k1 	3x
---------------------	----	-------------------------------------	----	--------	----

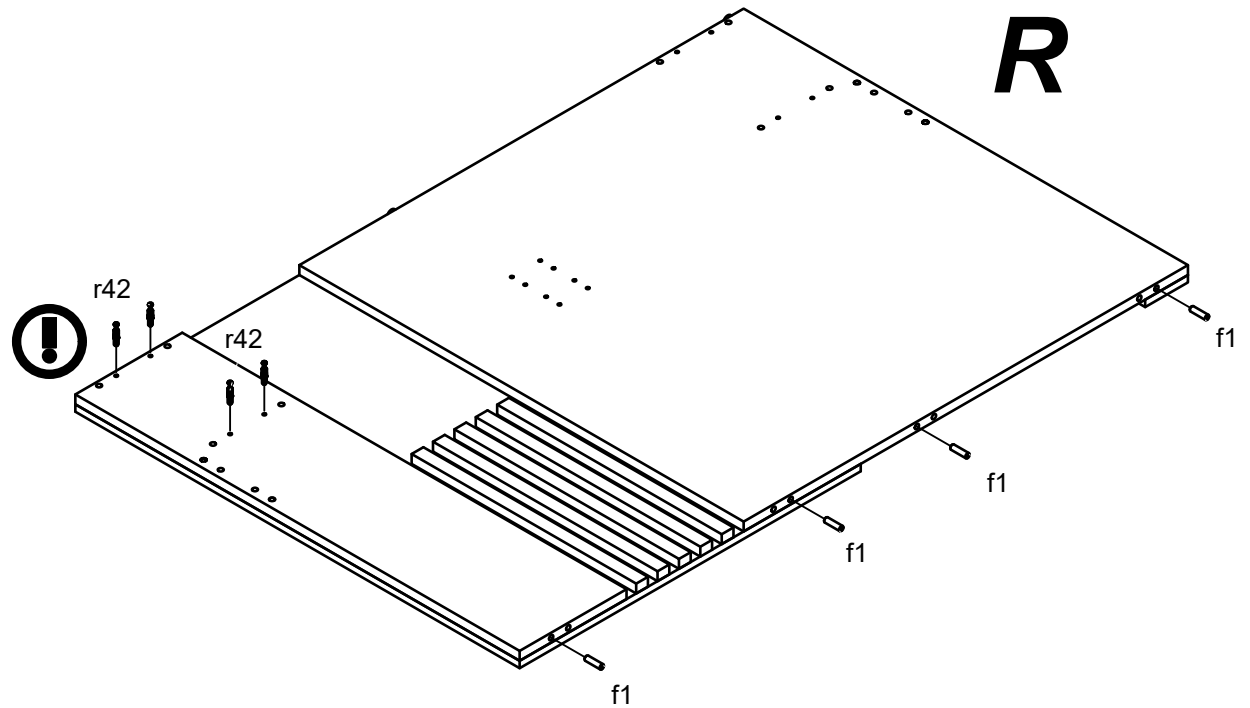
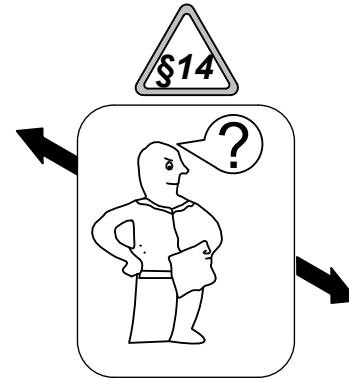
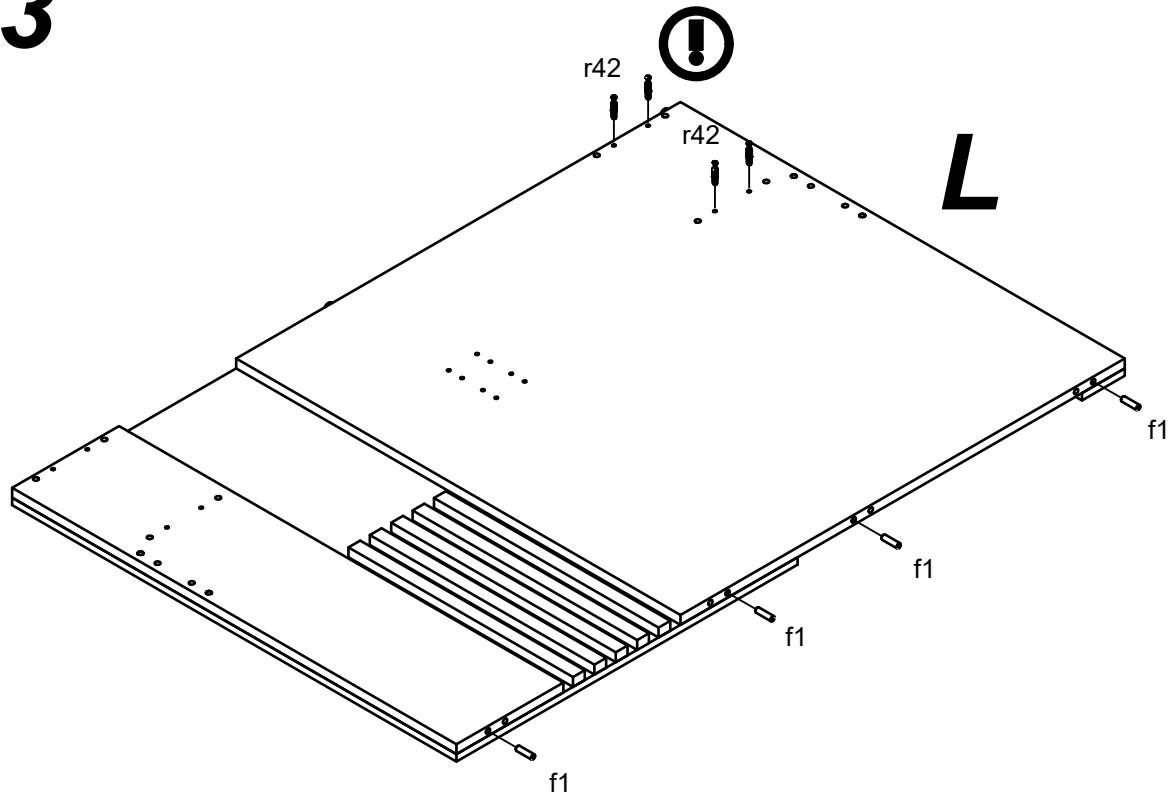


2

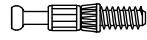


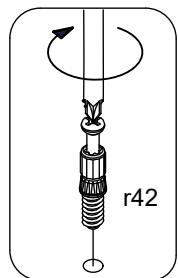
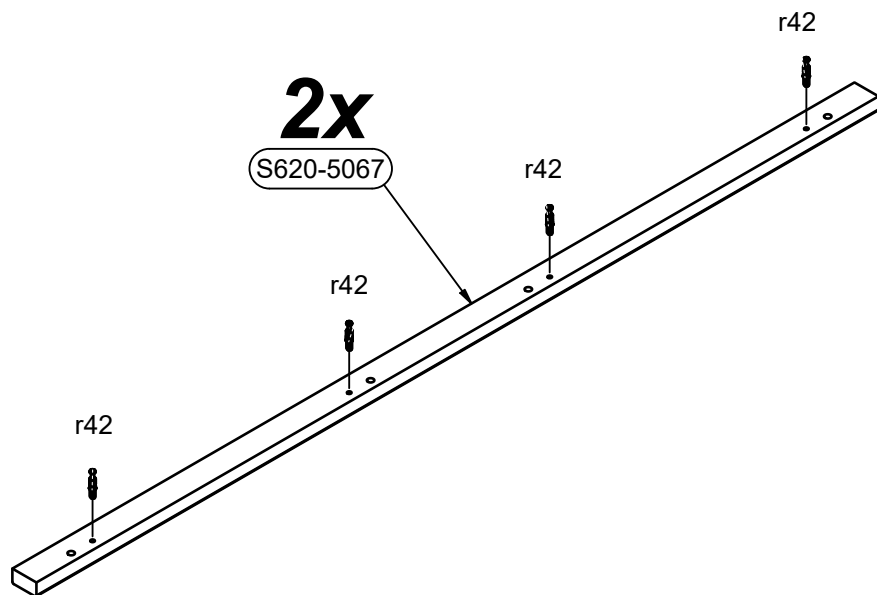
3

 <p>f1</p> <p>30mm</p>	<p>4x</p>	 <p>r42</p>	<p>4x</p>
---	-----------	--	-----------

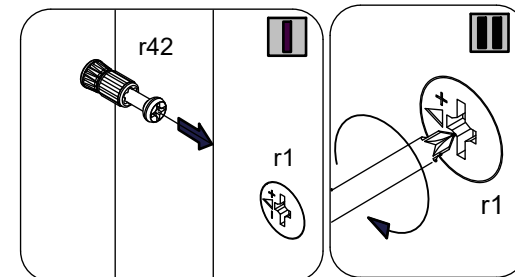
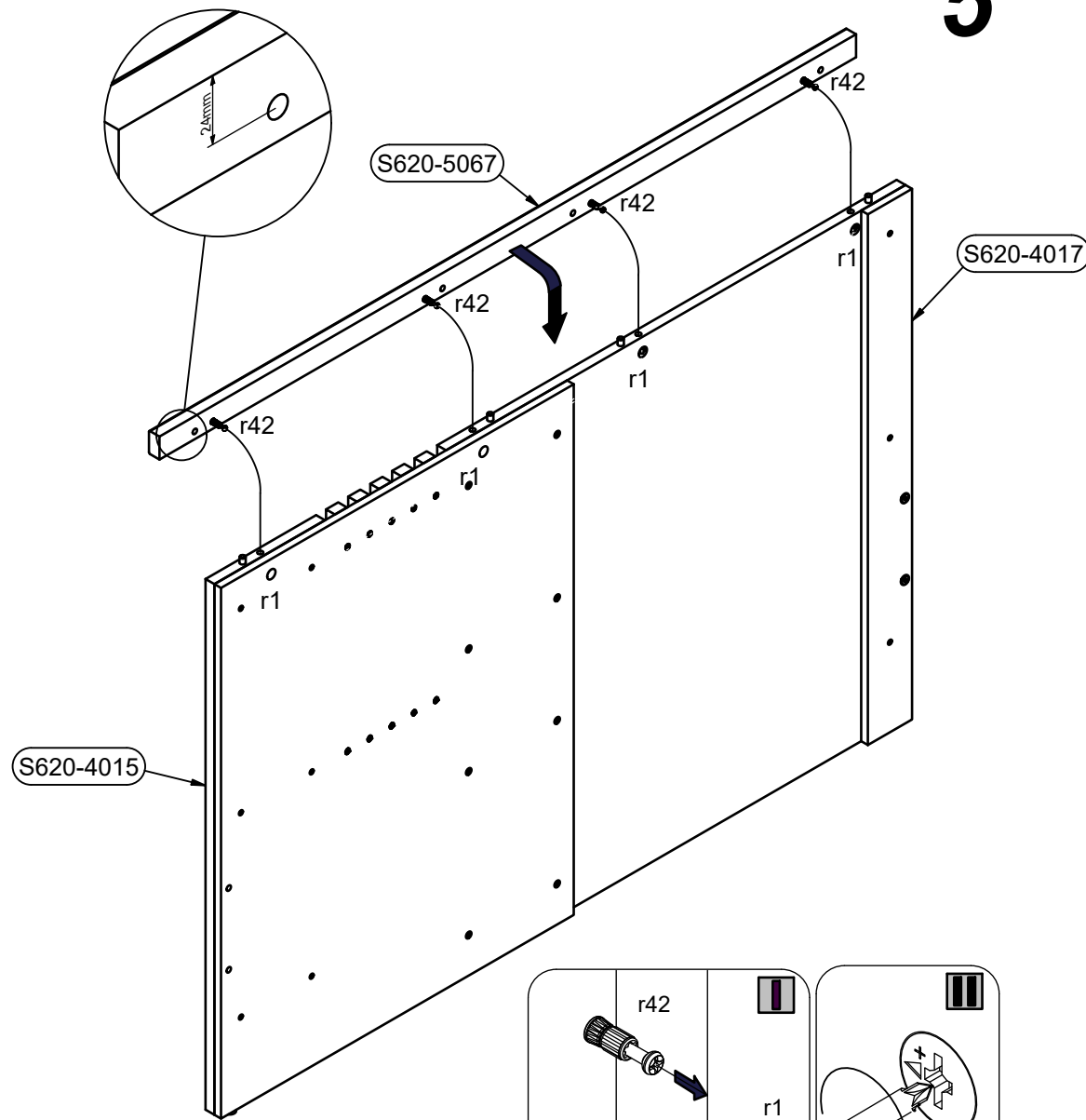


4



r42		8x
-----	---	----

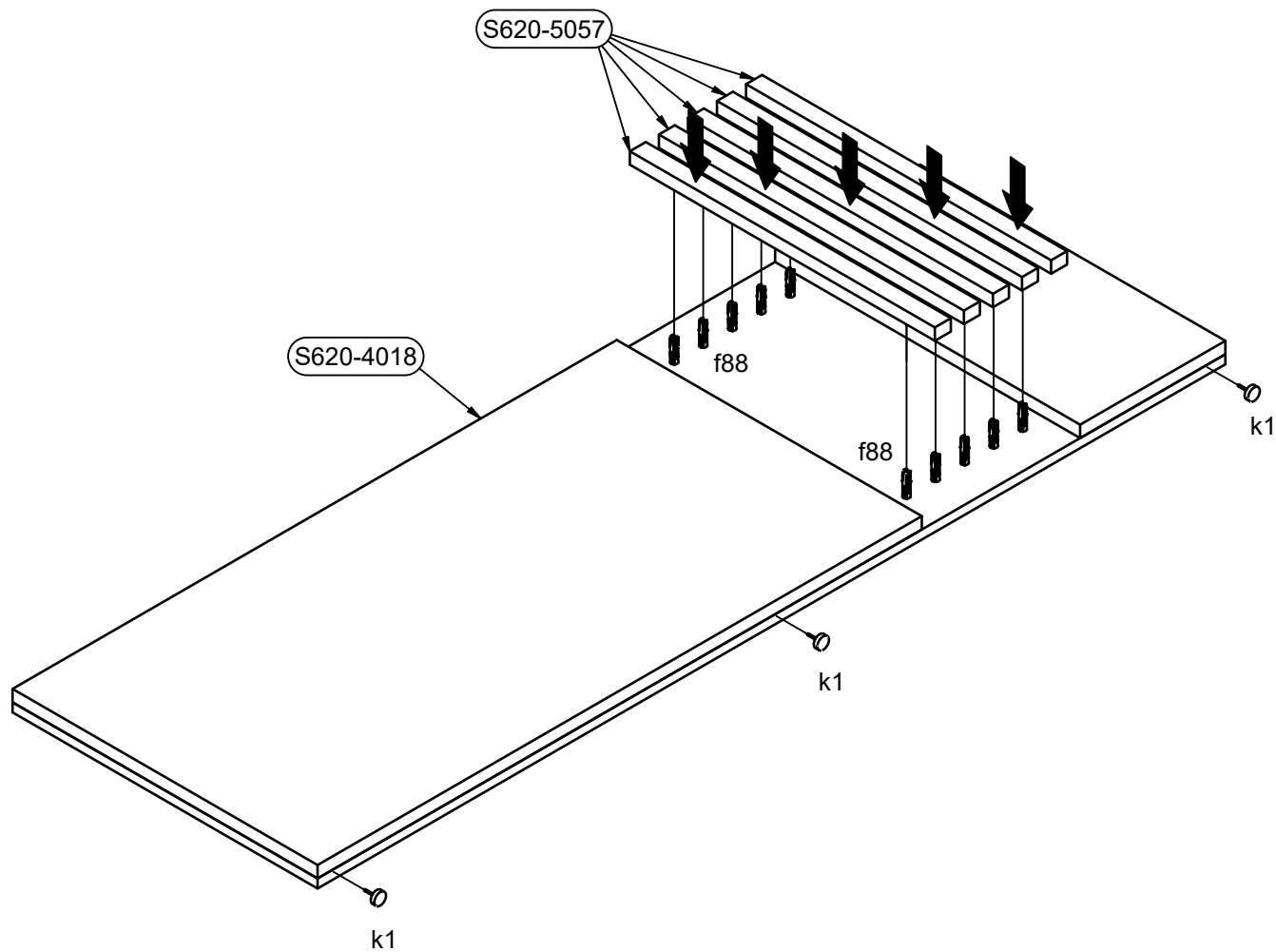
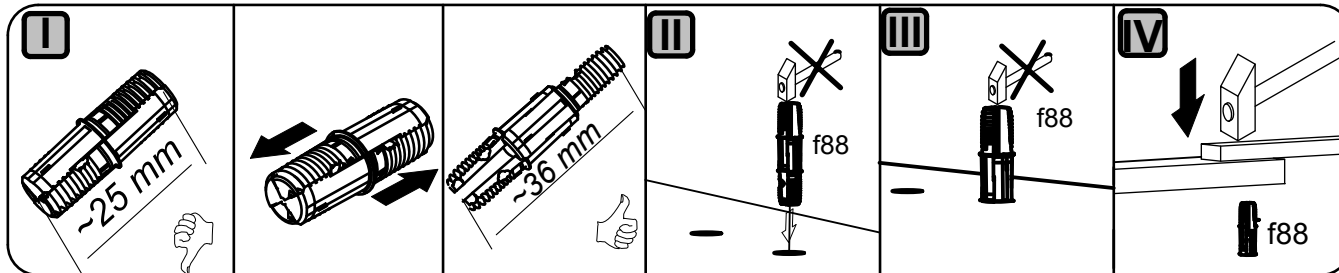


5

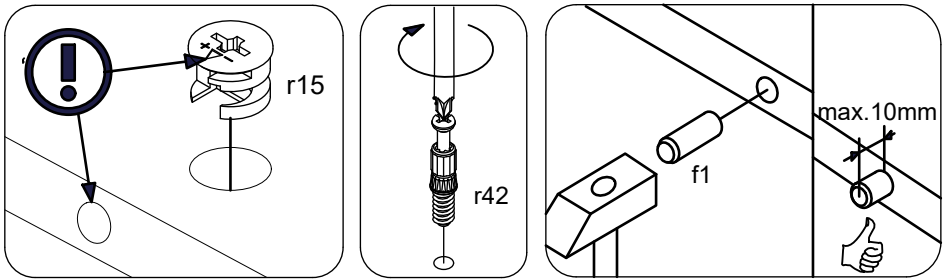
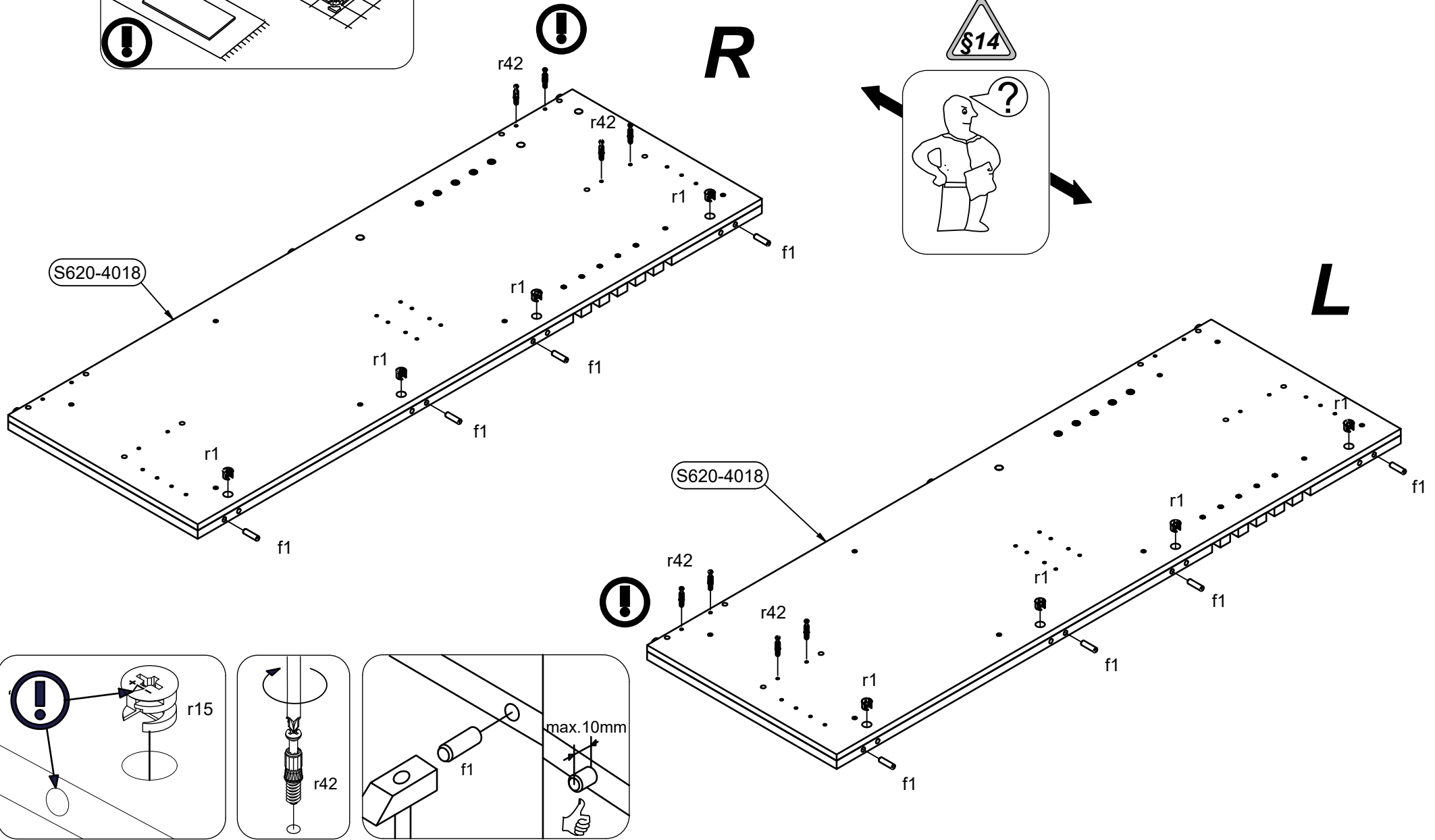
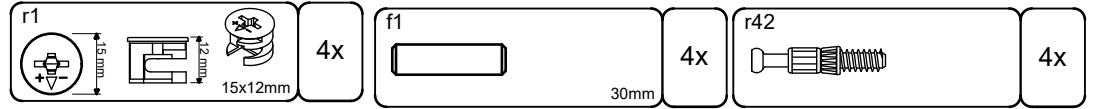
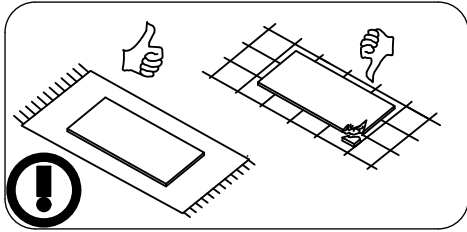


6

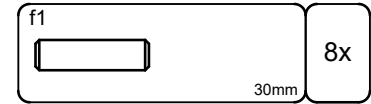
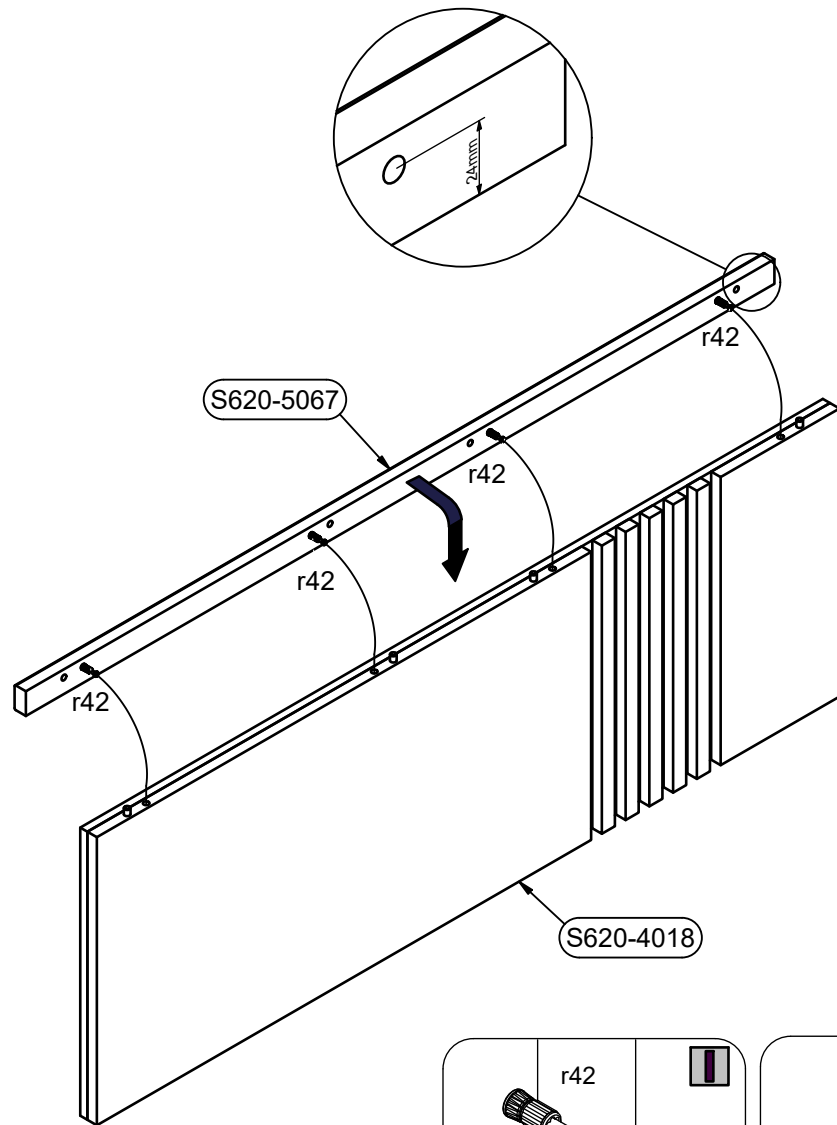
f88		10x
k1		3x



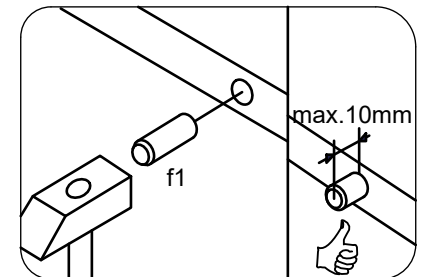
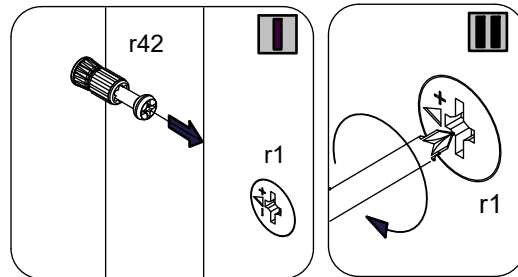
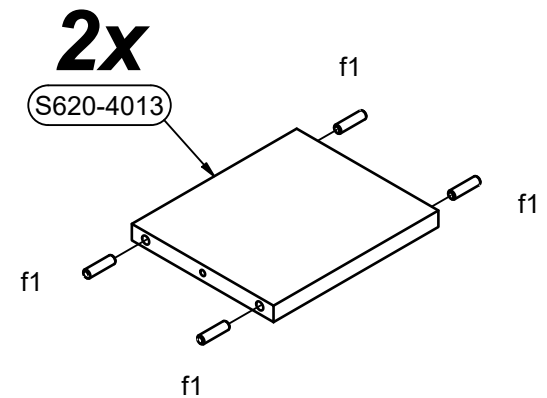
7



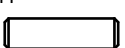


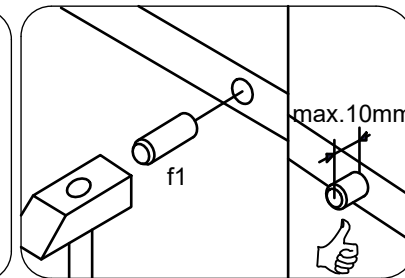
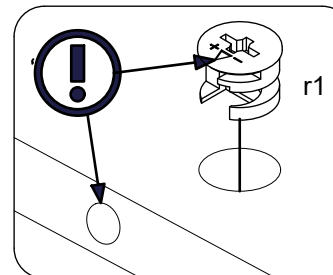
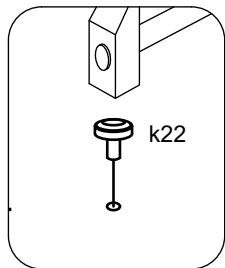
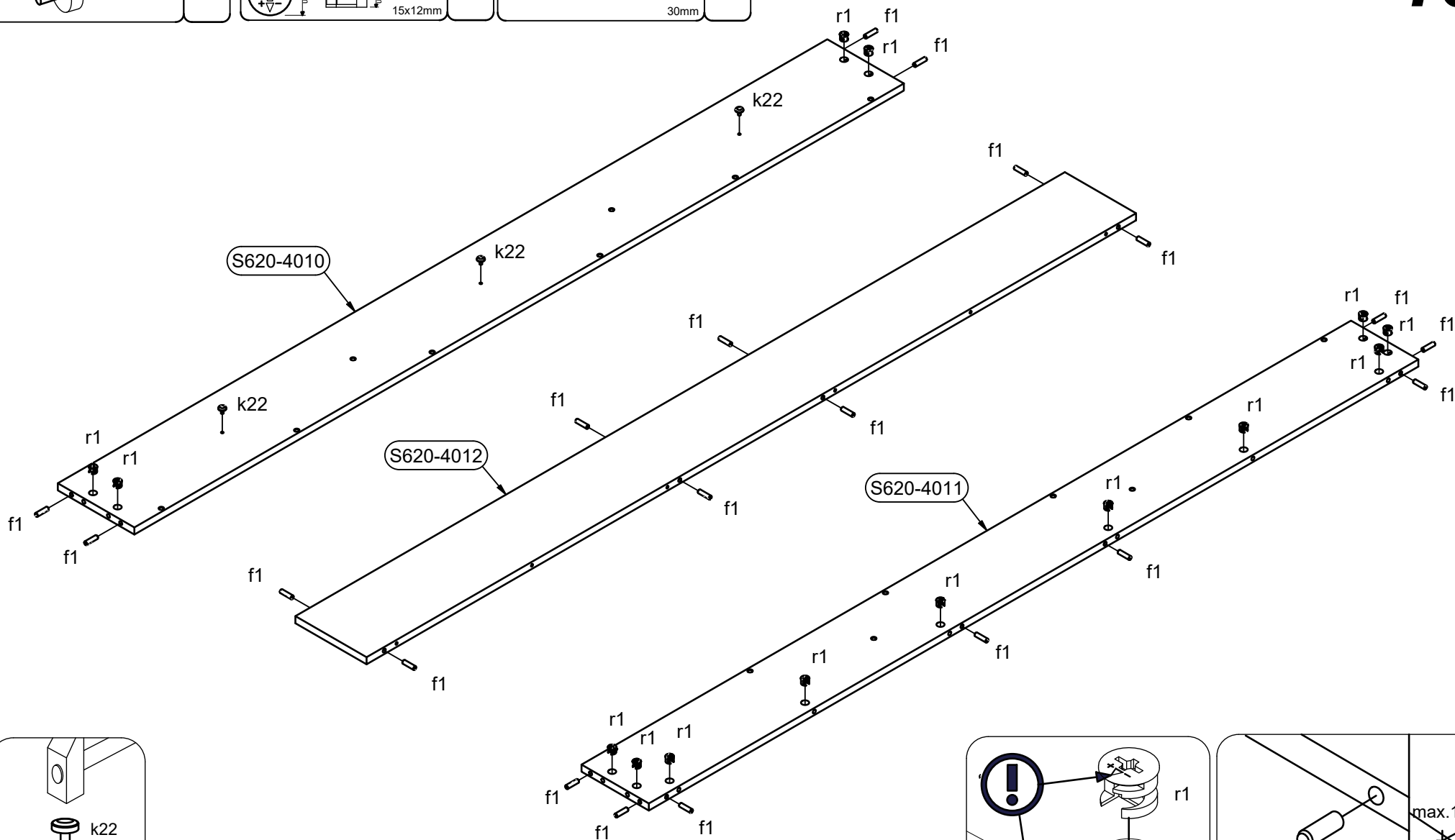
8



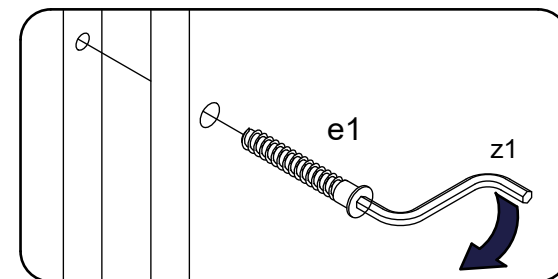
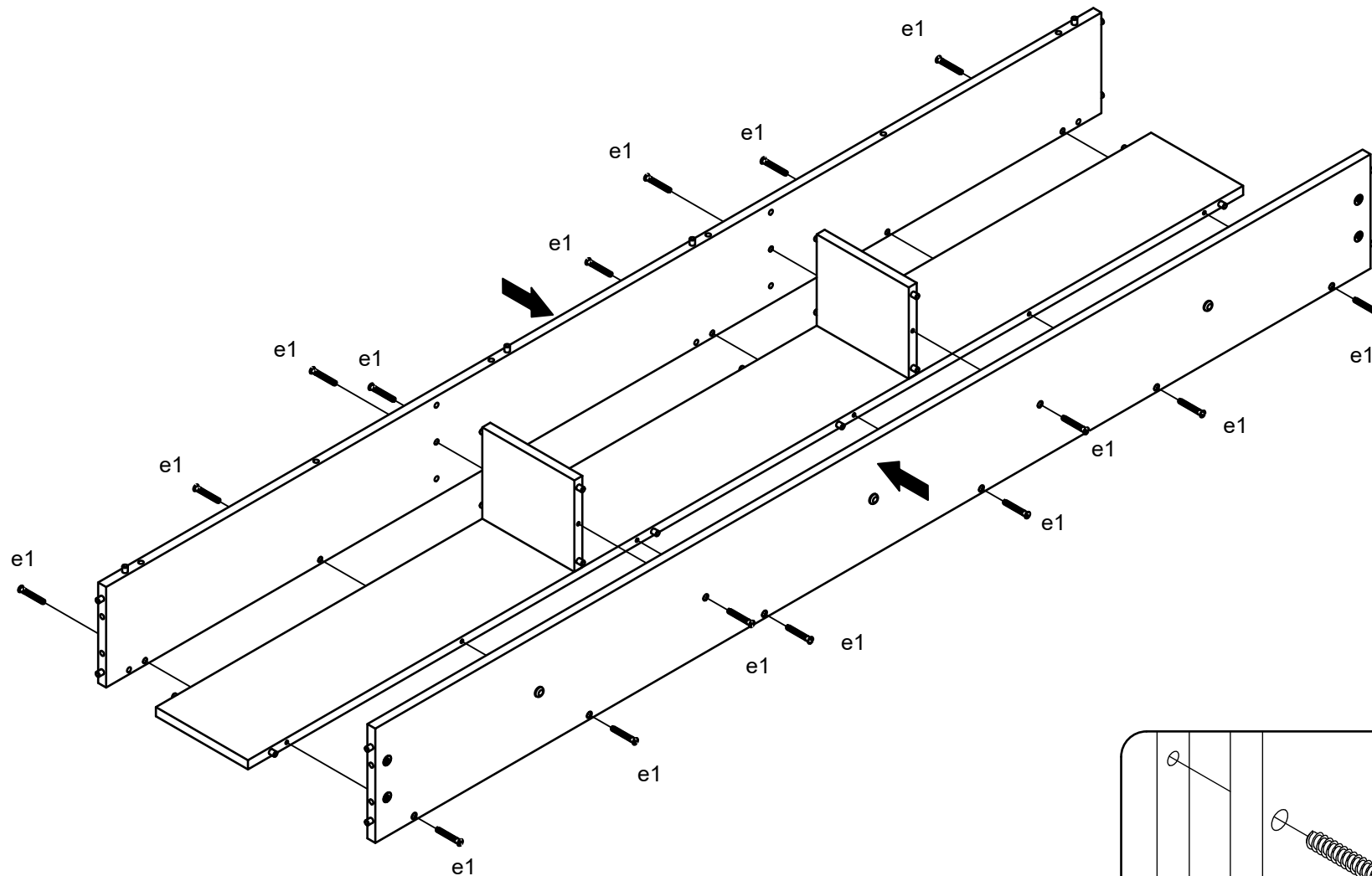
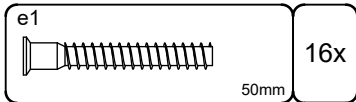
9



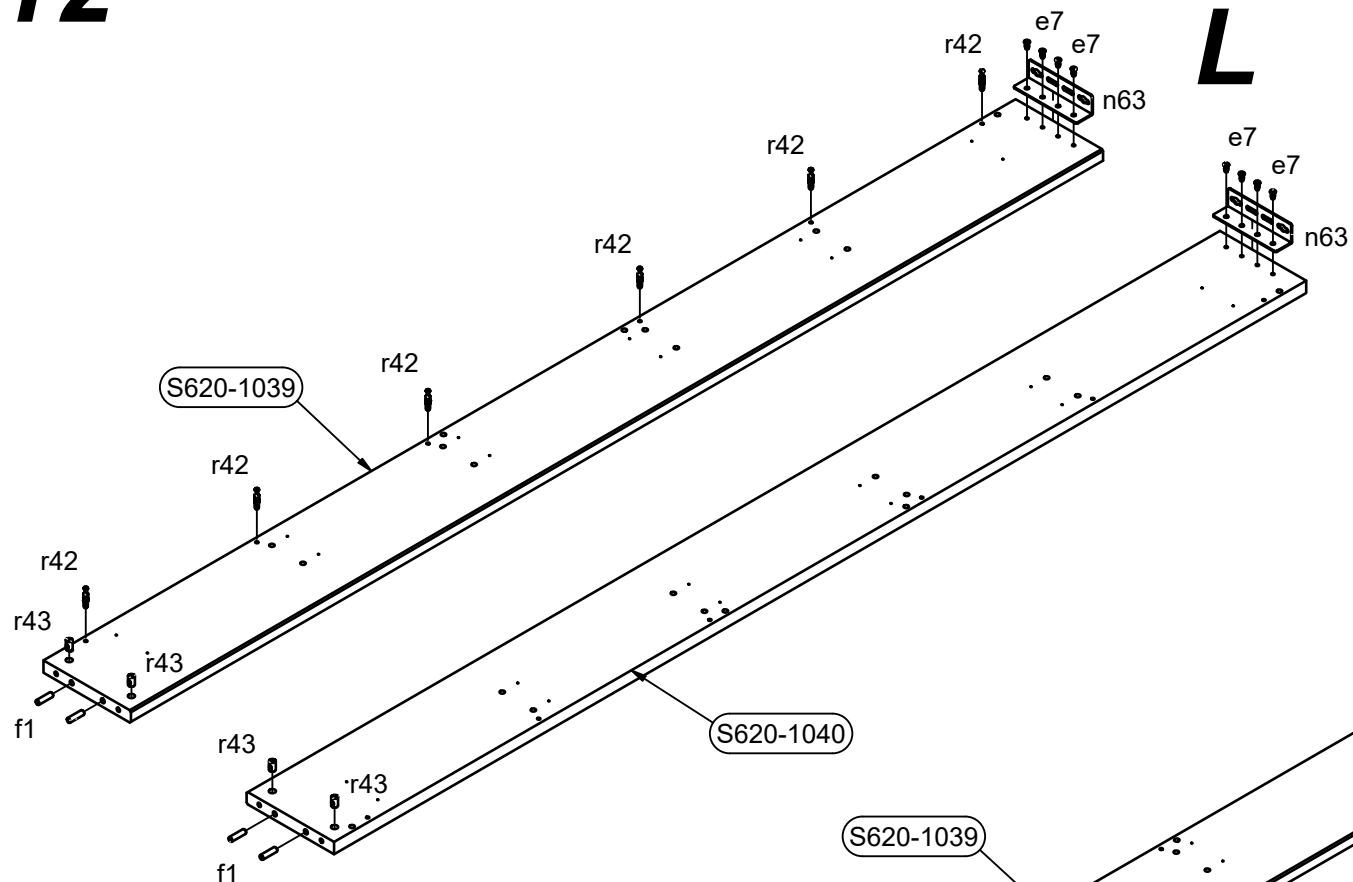
<p>k22</p> 	<p>3x</p>	<p>r1</p>  <p>15x12mm</p>	<p>14x</p>	<p>f1</p>  <p>30mm</p>	<p>20x</p>
--	-----------	--	------------	---	------------



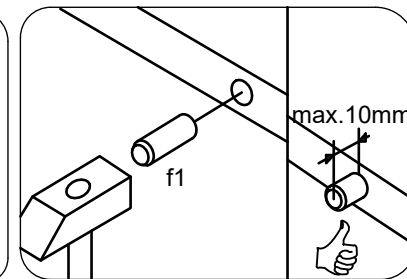
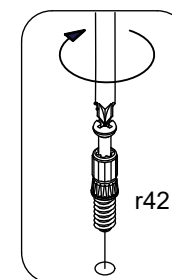
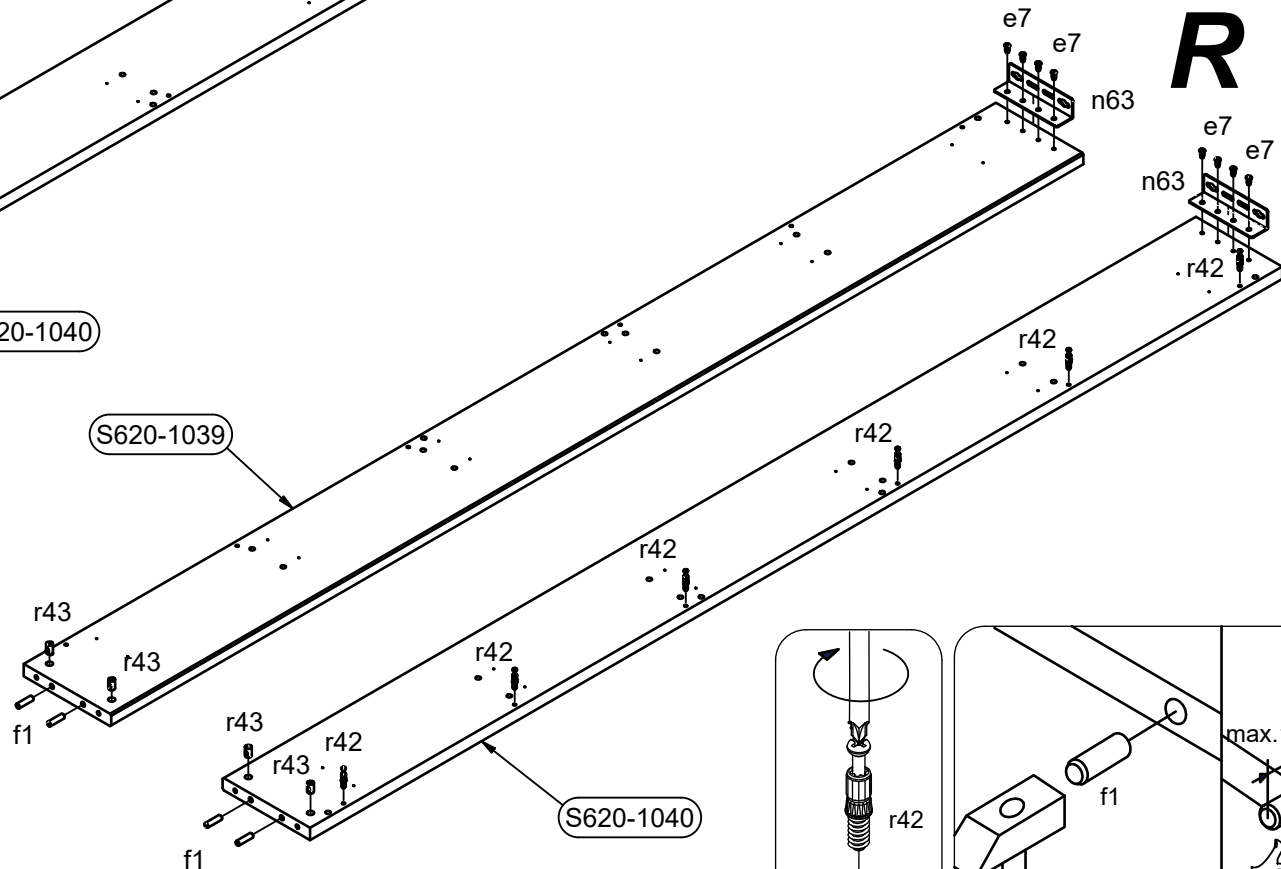
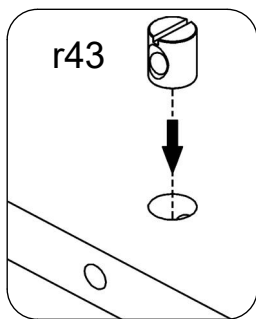
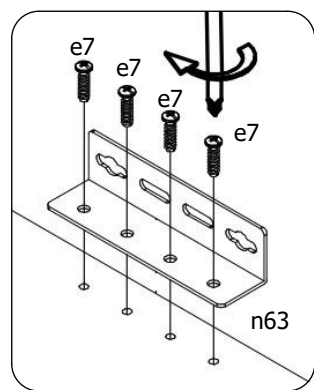
11



12



f1 	4x 30mm	r42 	6x
n63 	2x	e7 	8x Ø6.3x16 mm
		r43 	4x

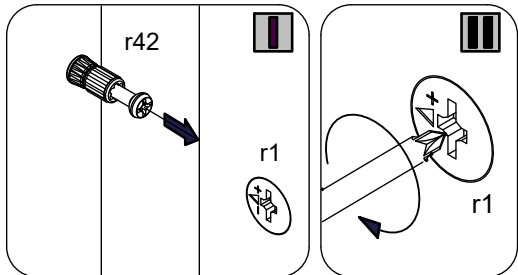
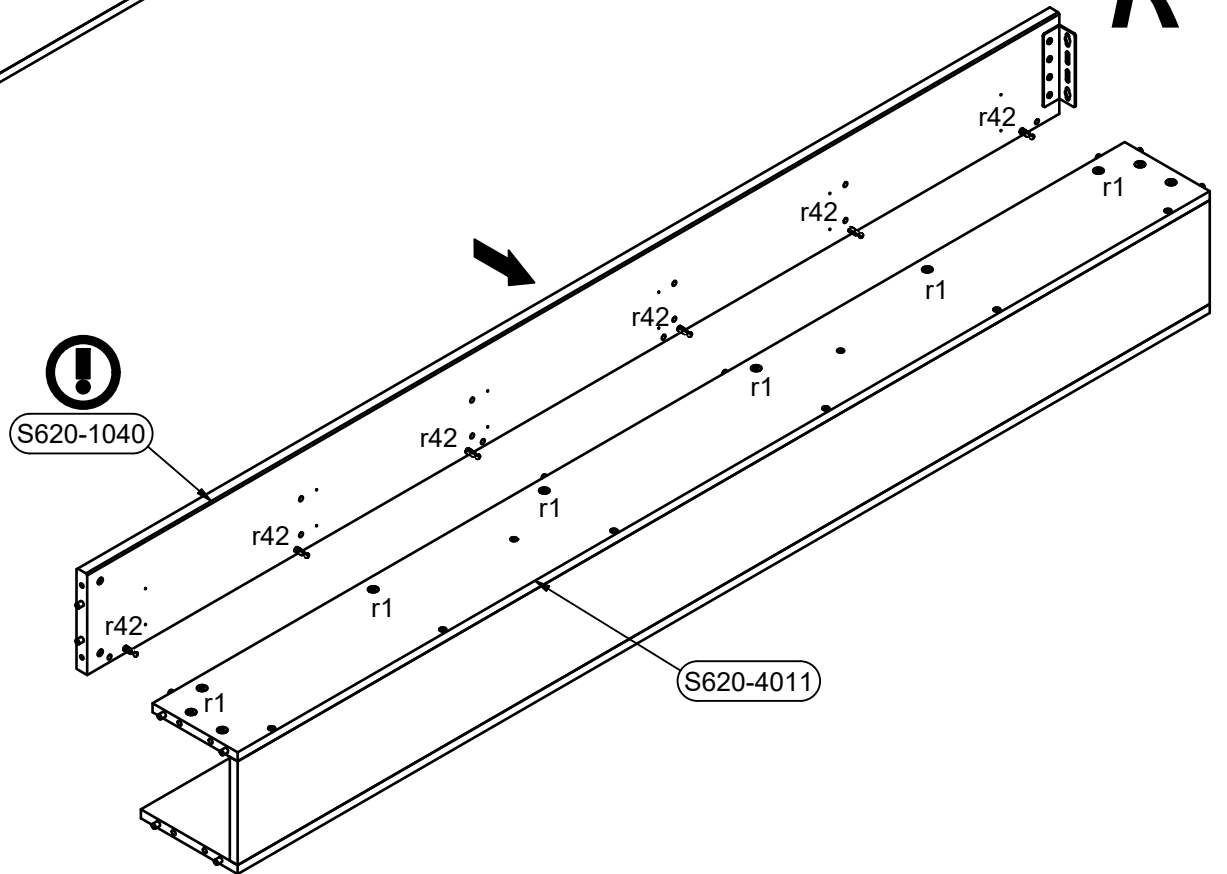
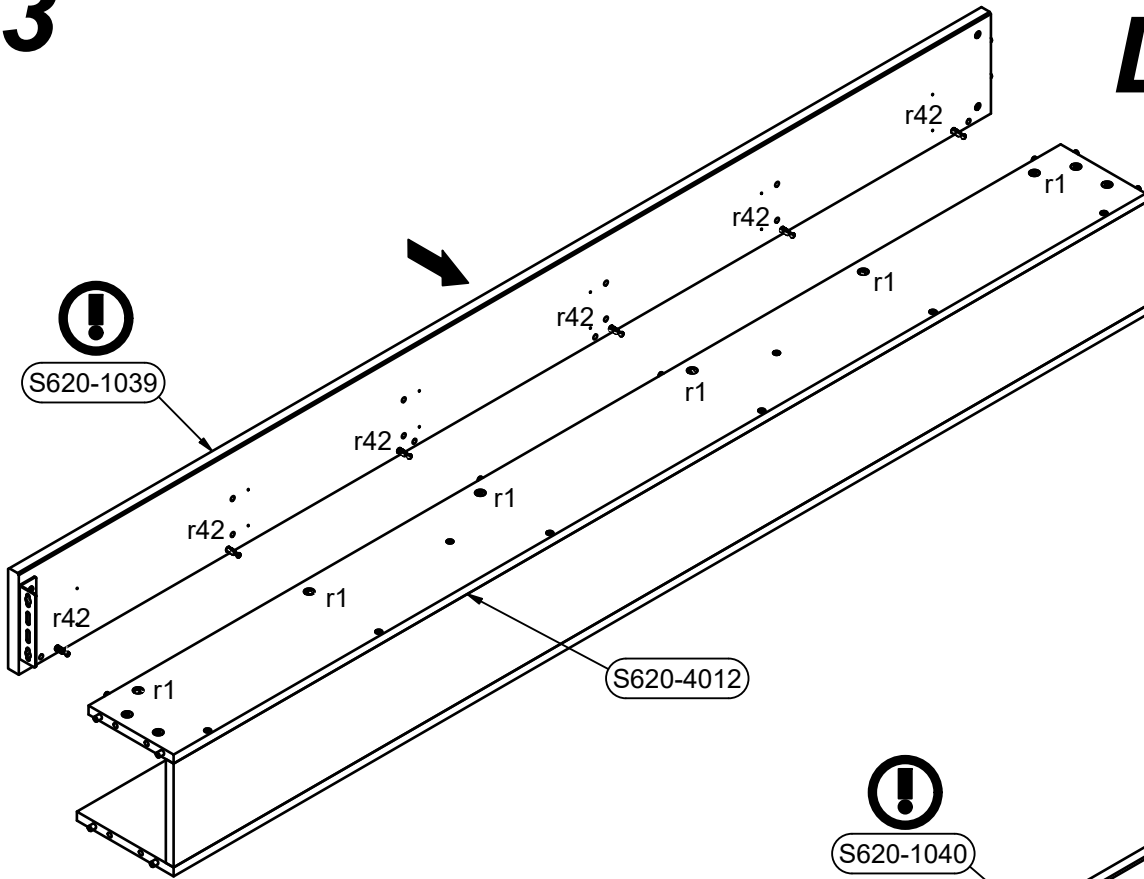


13



L

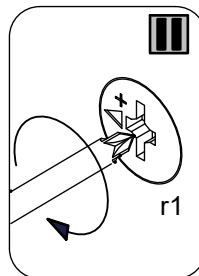
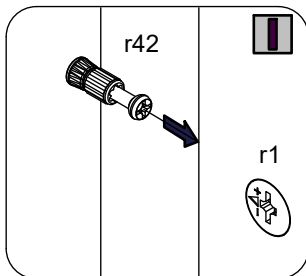
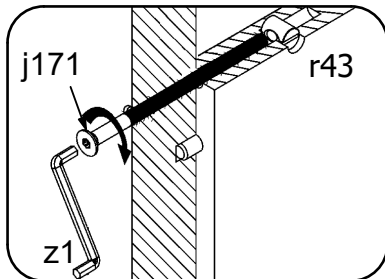
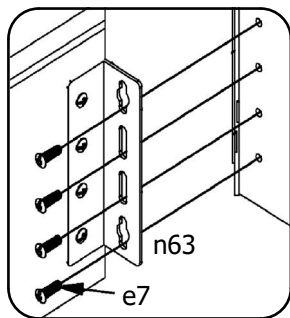
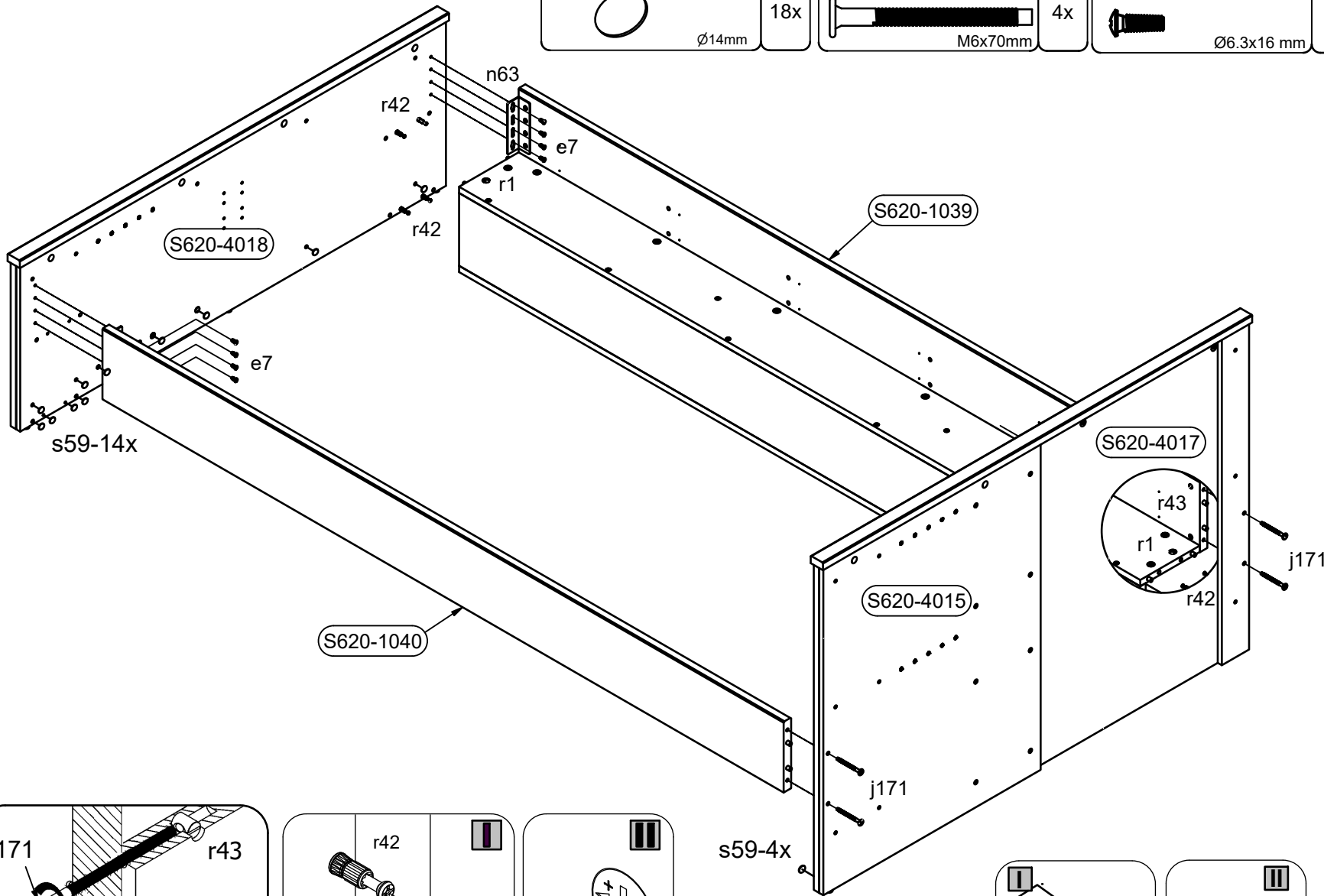
R



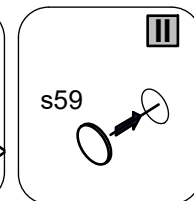
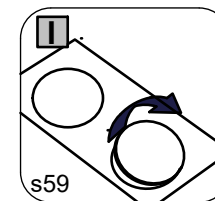
14
L



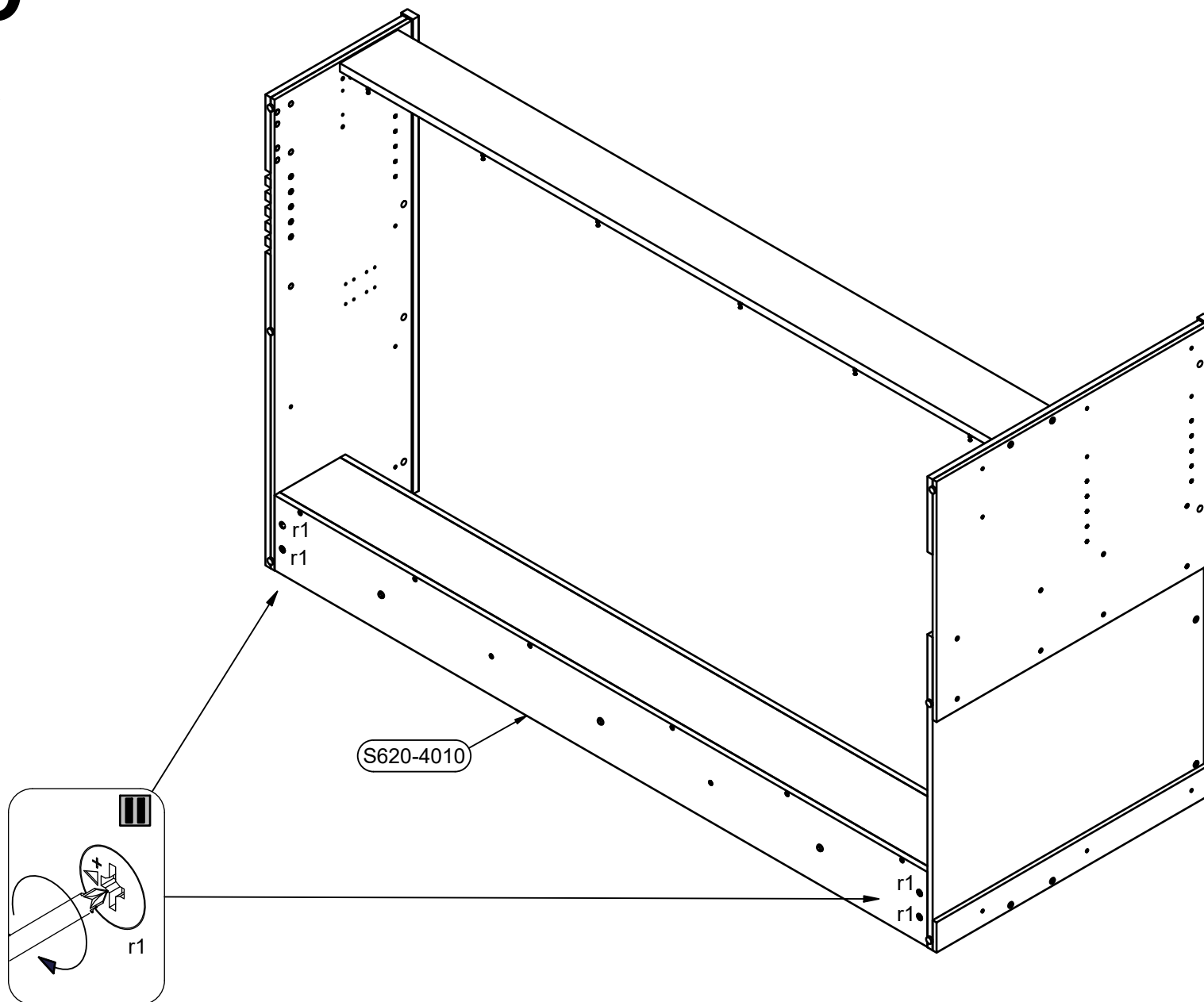
<p>s59 Ø14mm</p>	<p>j171 M6x70mm</p>	<p>e7 Ø6.3x16 mm</p>	<p>18x</p>	<p>4x</p>	<p>8x</p>
----------------------	-------------------------	--------------------------	------------	-----------	-----------

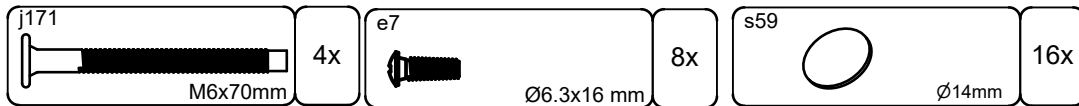


s59-4x

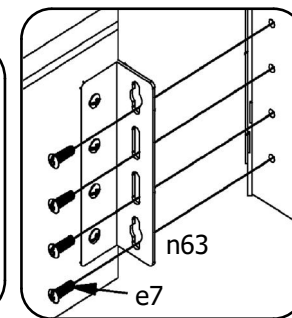
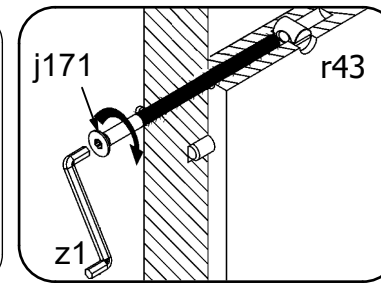
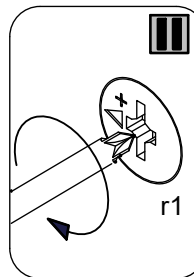
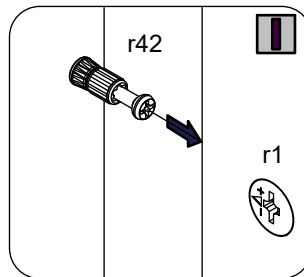
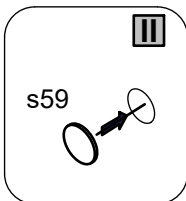
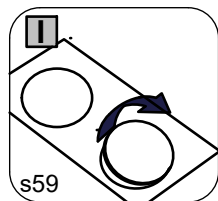
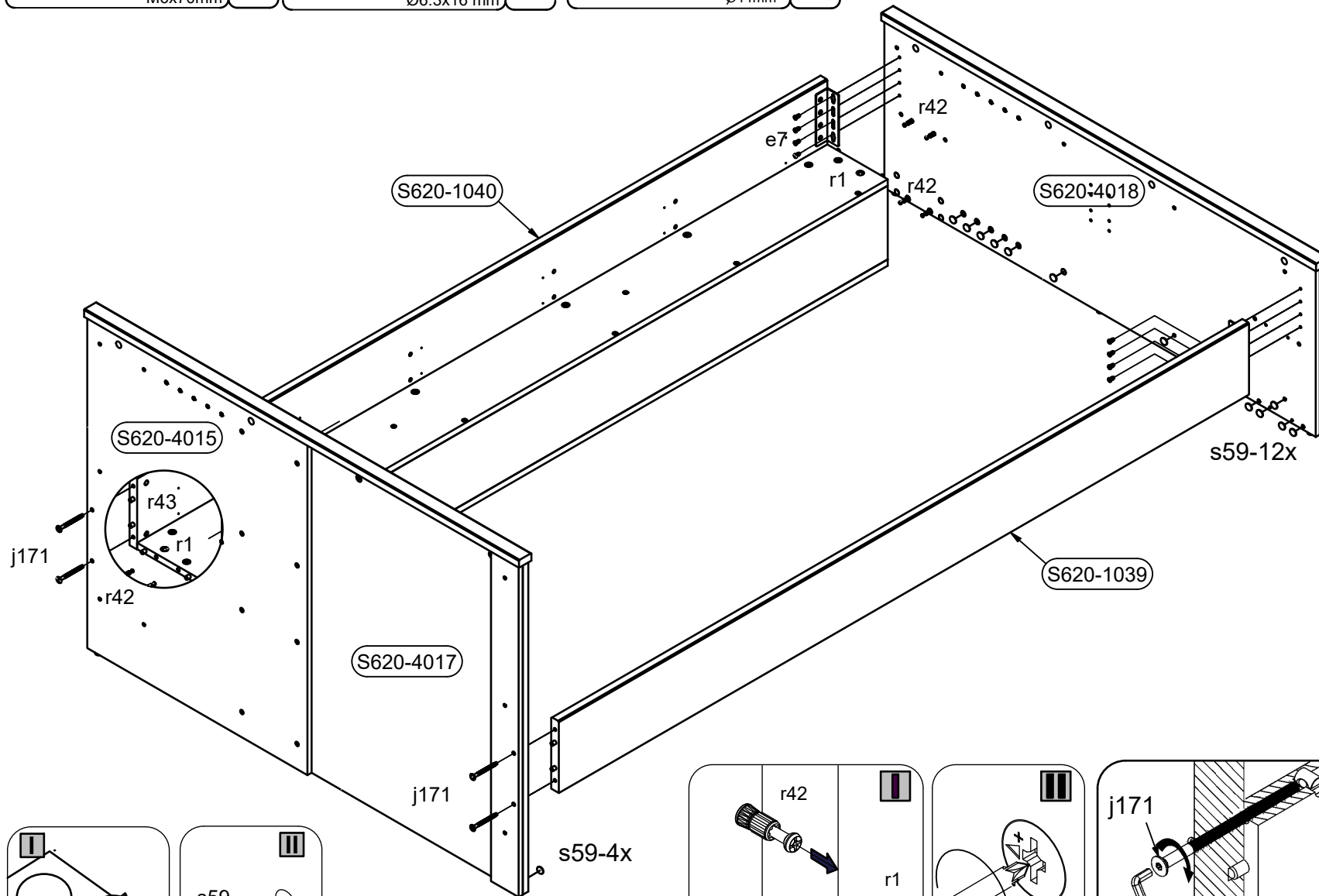


15
L

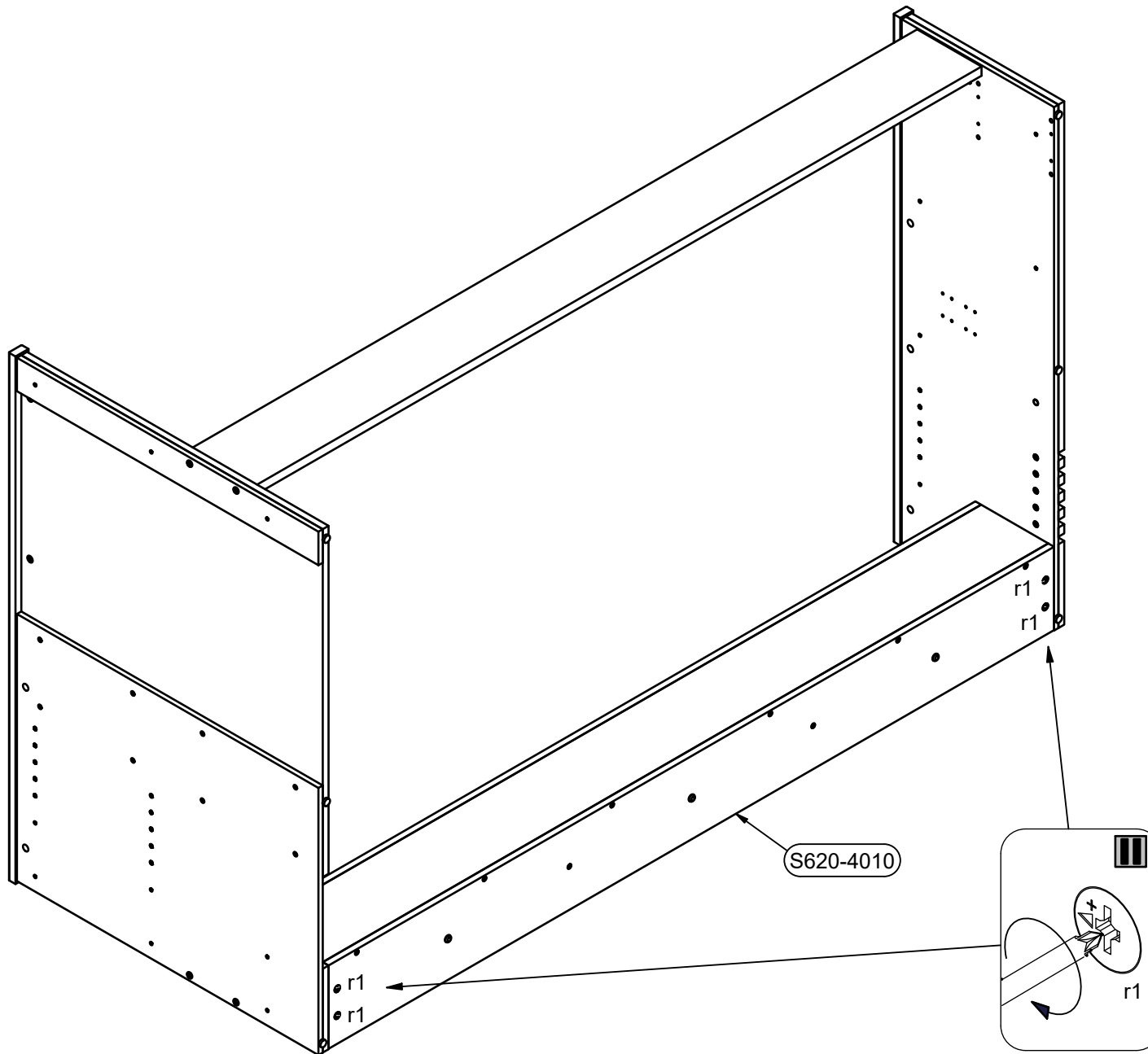




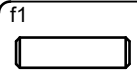
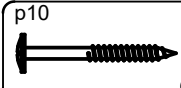
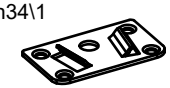
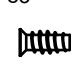
14
R

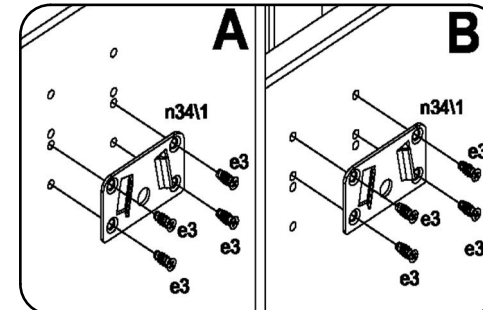
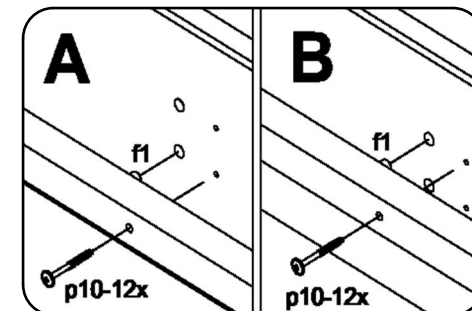
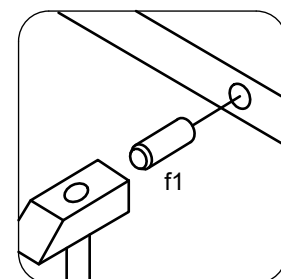
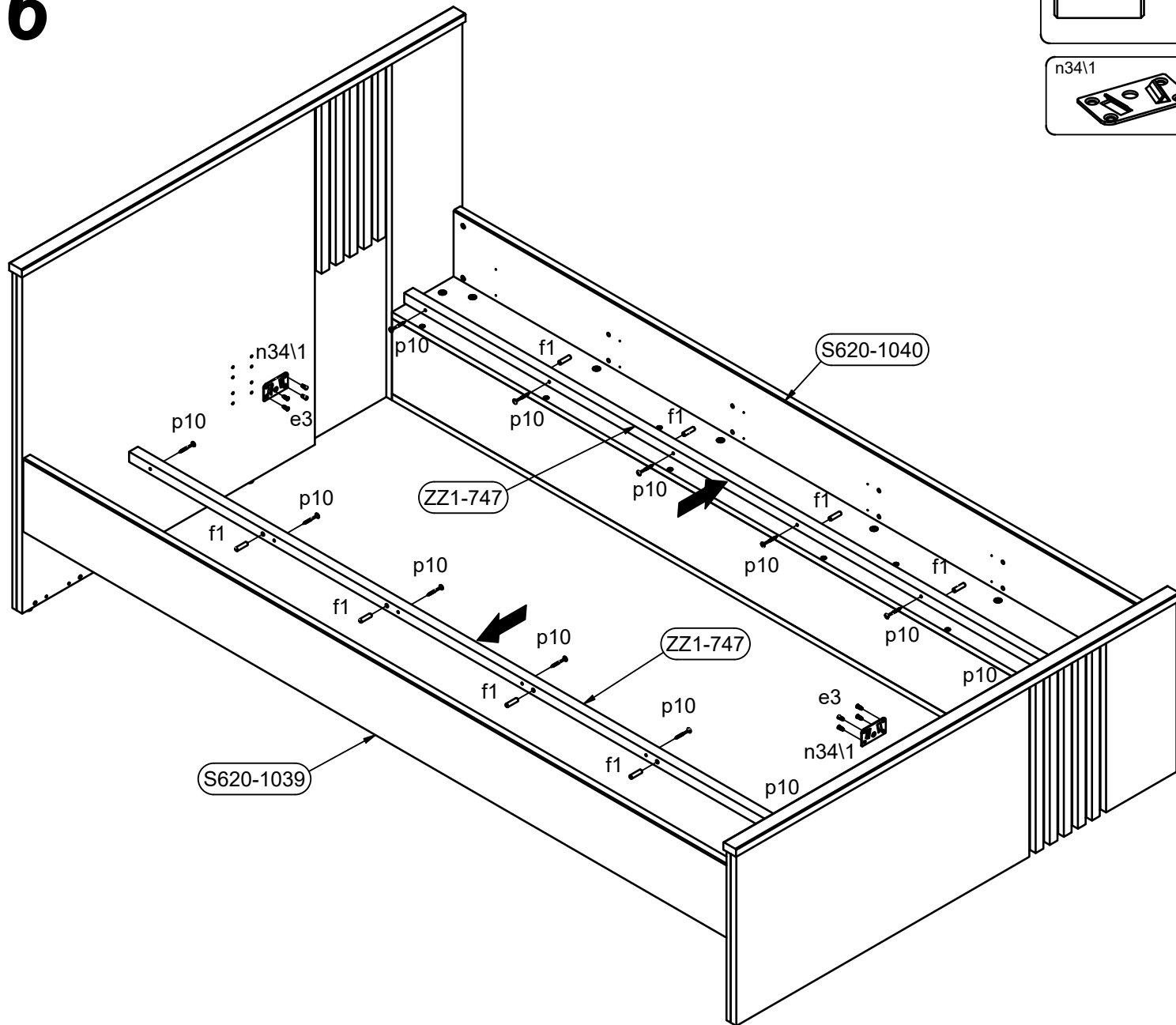


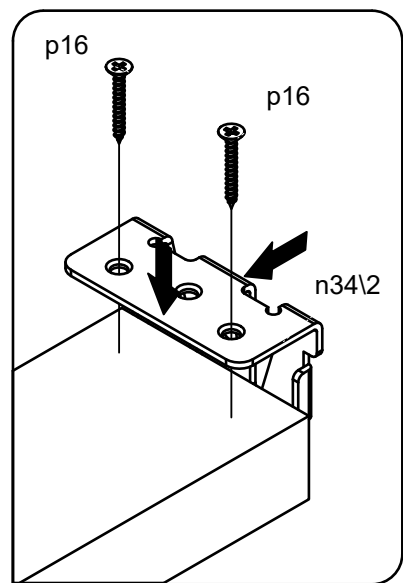
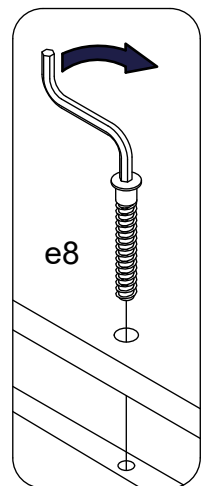
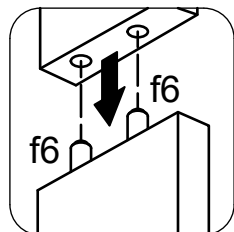
15
R



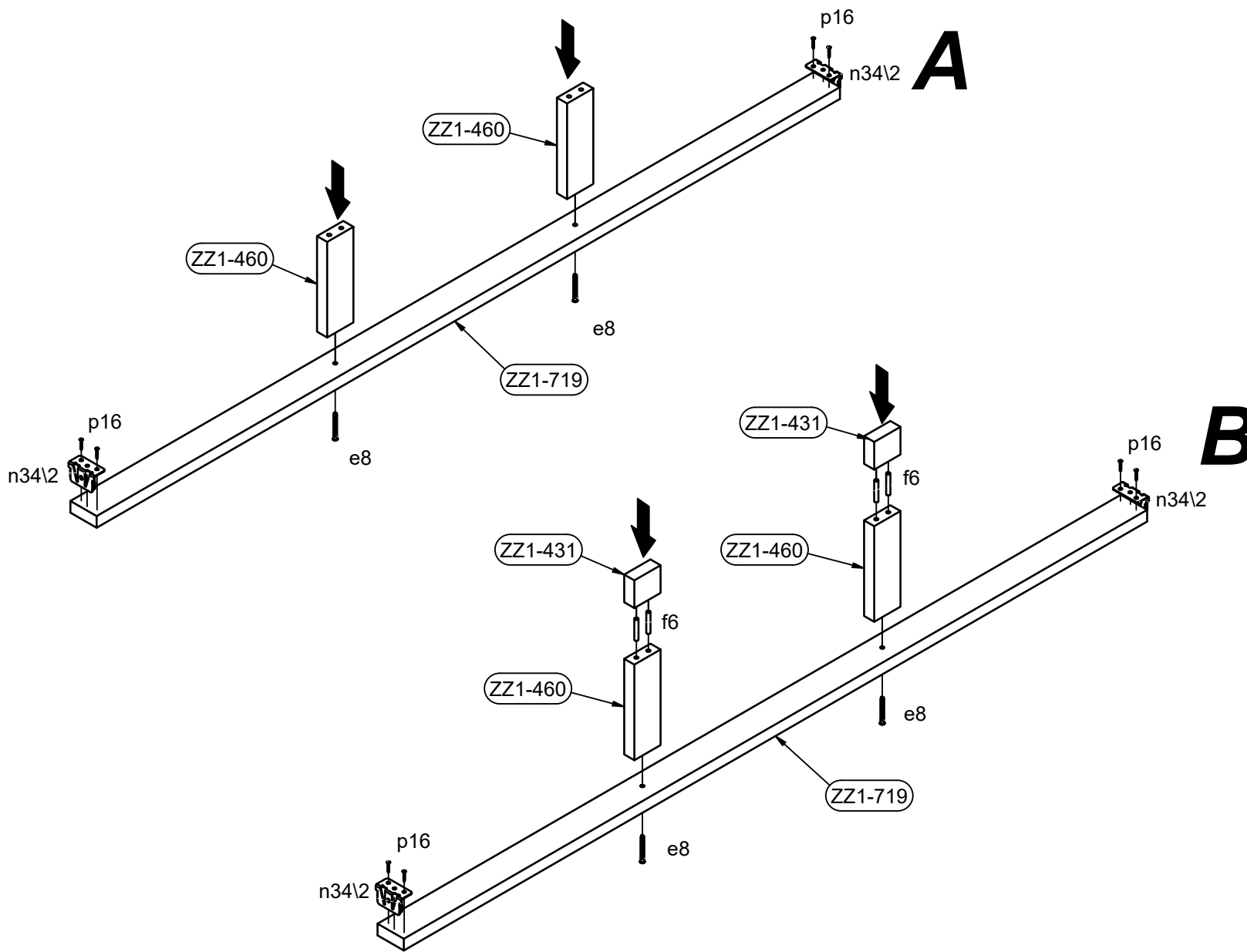
16

f1  30mm	8x	p10  Ø4x40 mm	12x
n34\1 	2x	e3  Ø6x13 mm	8x

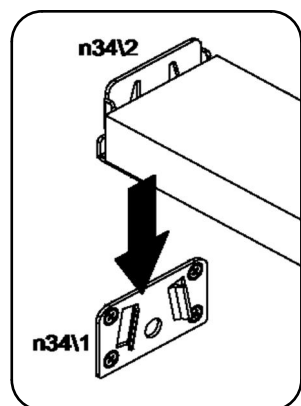
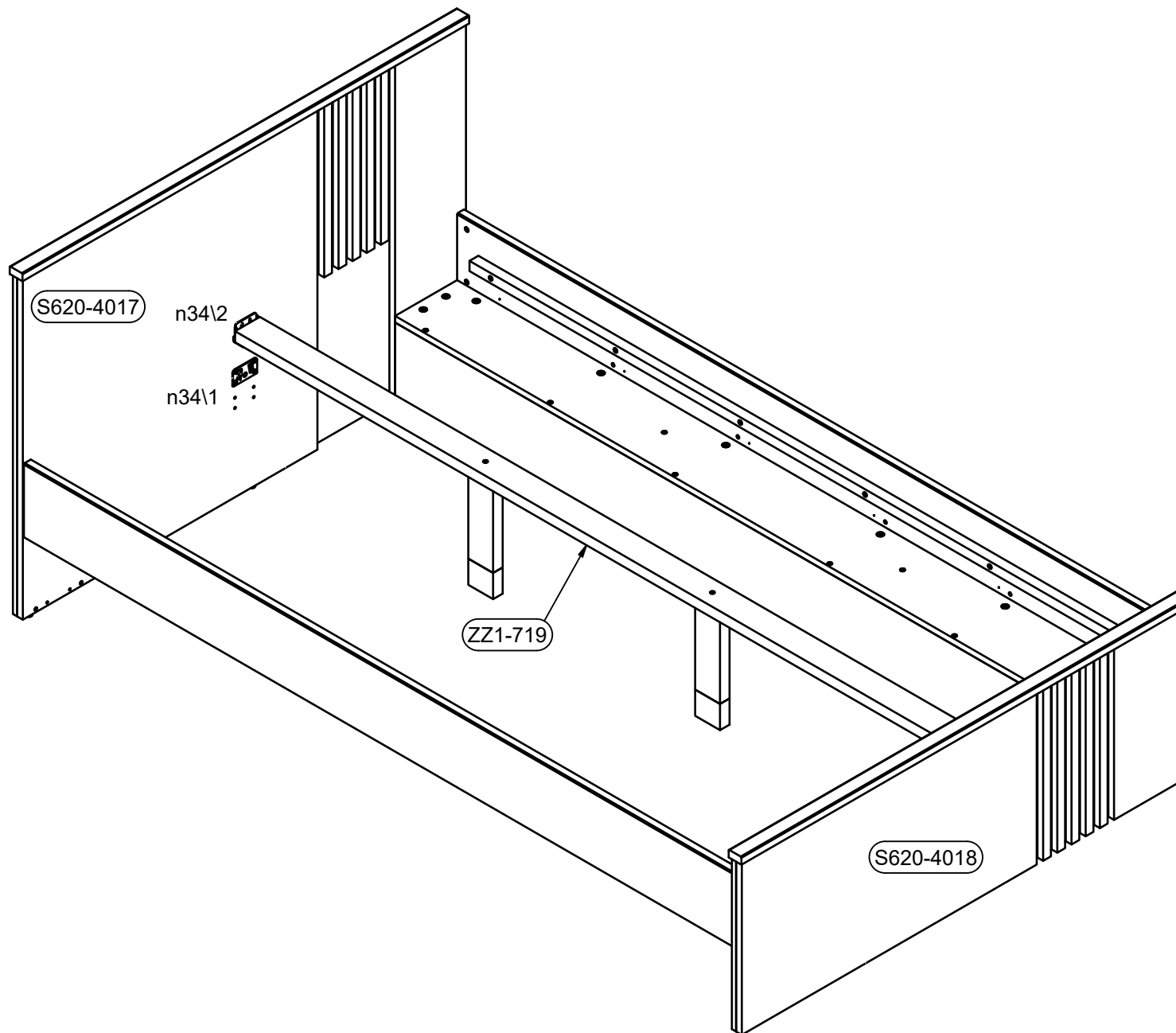




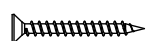
n34\2		2x	p16		4x	e8		2x	f6		4x
				Ø3.5x25 mm			Ø7x60 mm			Ø8x50 mm	



18



19

p6	6x
	Ø4x35 mm

