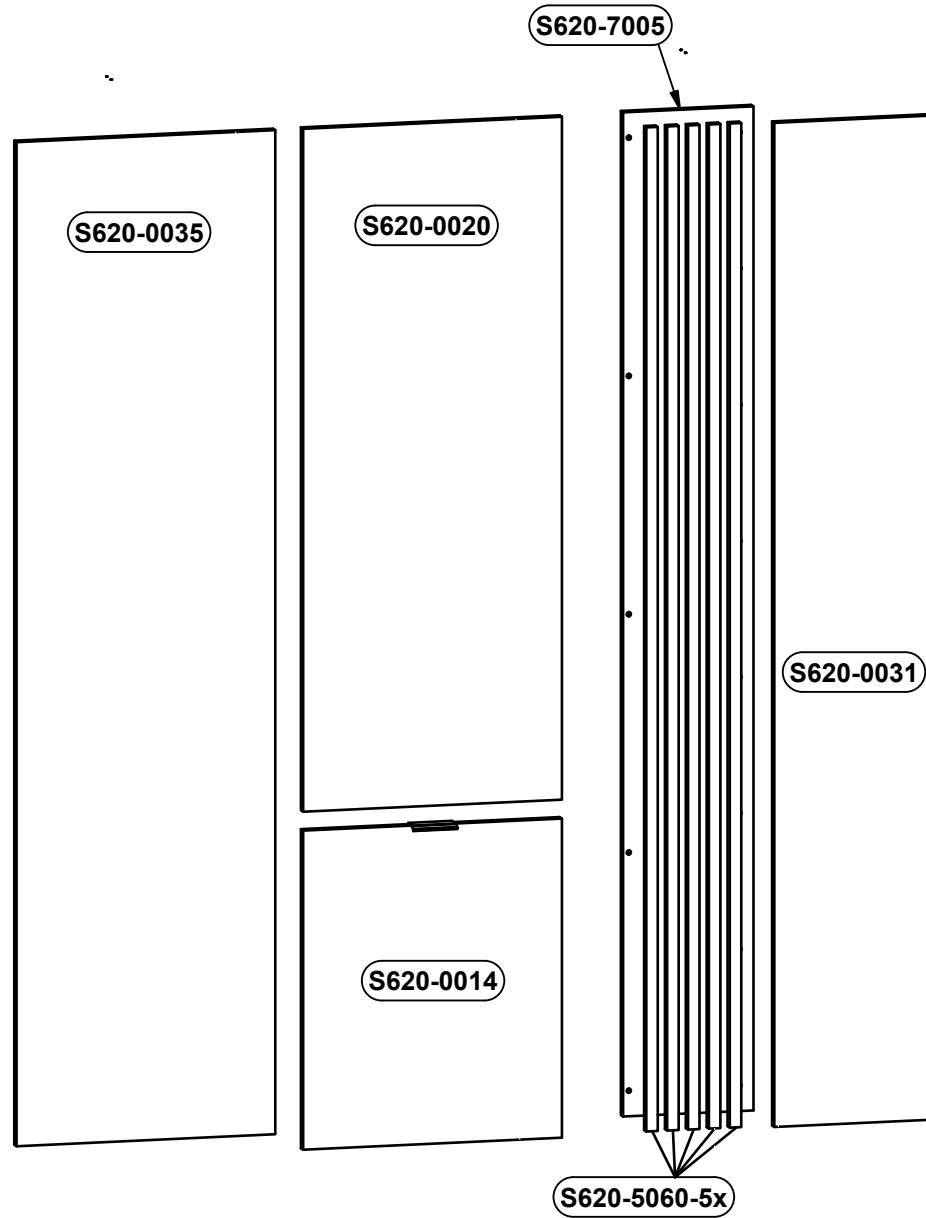
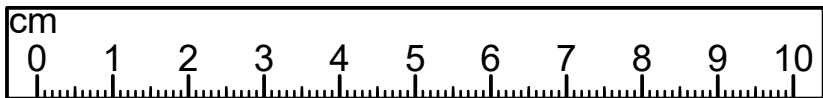
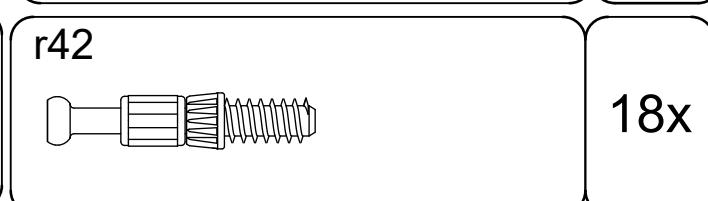
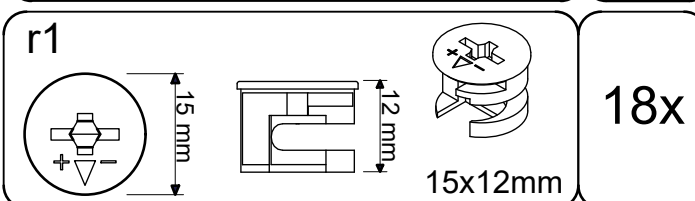
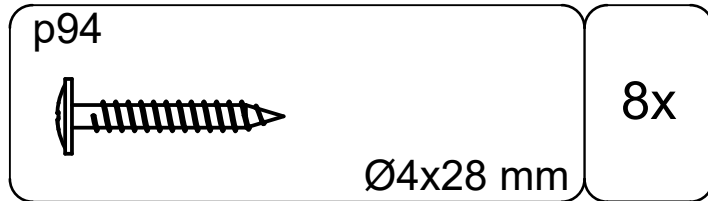
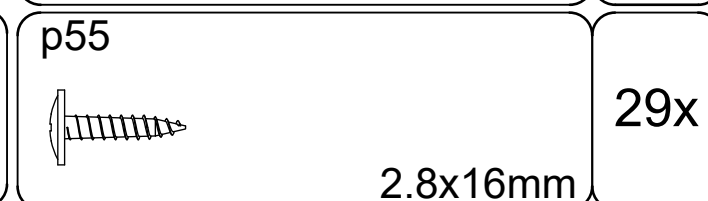
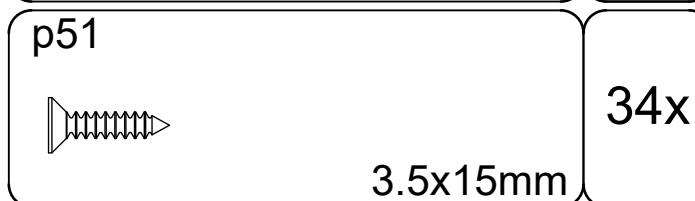
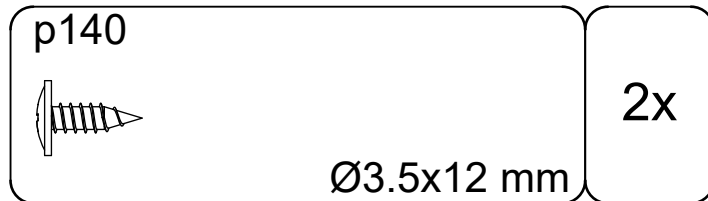
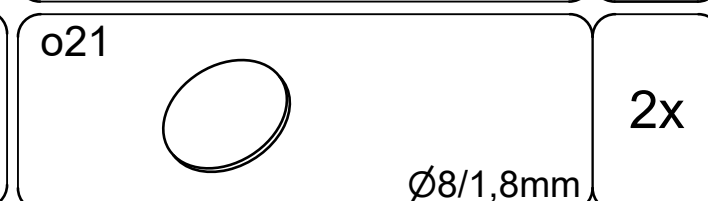
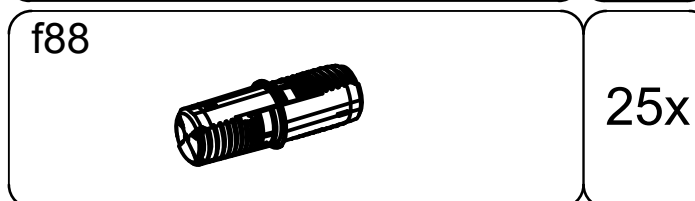
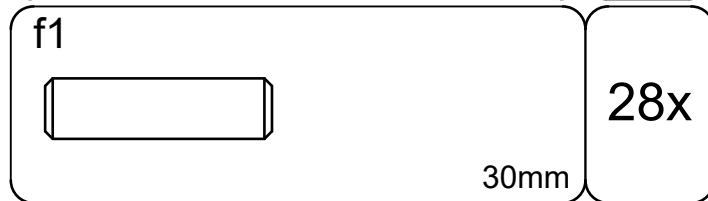
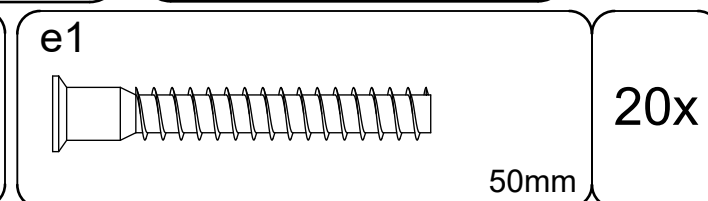
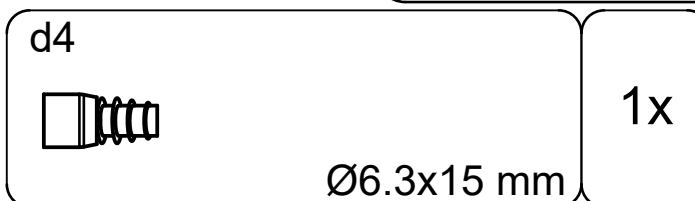
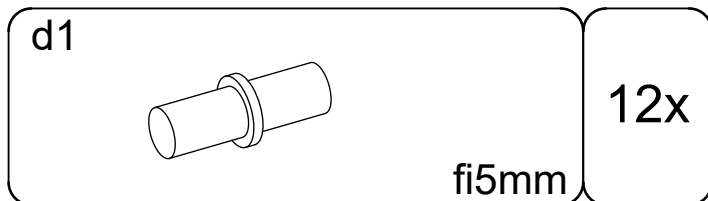
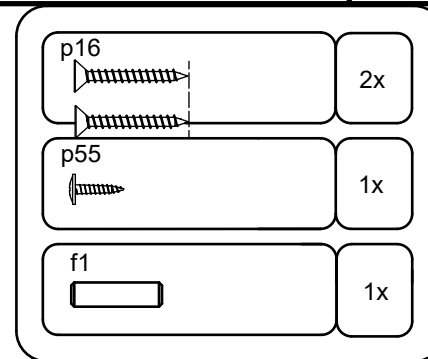
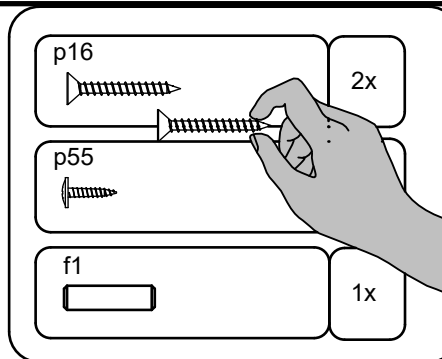


	B1	B2	C1	C2	C3	C4	D
dr-466	-	466	22	15	1	1	1/5
dr-478	-	478	22	15	1	1	1/5
S620-0014	-7	600	496	16	1	1	3/5
S620-0020	-7	1284	496	16	1	1	3/5
S620-0031	-6	1888	296	16	1	1	3/5
S620-0035	-	1888	496	16	1	1	3/5
S620-1046	-	1896	540	16	1	1	2/5
S620-1047	-	1896	540	16	1	1	2/5
S620-1048	-	1896	520	16	1	1	4/5
S620-1049	-	1896	520	16	1	1	4/5
S620-2027	-	1501	558	18	1	1	5/5
S620-2028	-	1501	558	18	1	1	5/5
S620-3024	-4	486	504	16	1	1	1/5
S620-3033	-	474	516	16	1	1	1/5
S620-3034	-	474	504	16	1	1	1/5
S620-3035	-	473	504	16	3	1	1/5
S620-5060	-9	1888	22	16	5	1	3/5
S620-7005	-9	1888	250	16	1	1	3/5
S620-9012	-	1906	490	2,5	1	1	4/5
S620-9014	-	1906	498	2,5	1	1	4/5
S620-9013	-	1906	487	2,5	1	1	4/5



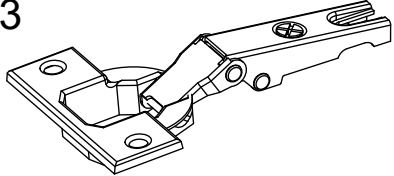
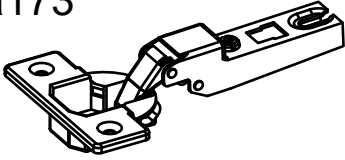
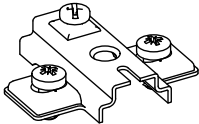
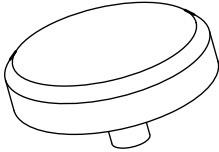
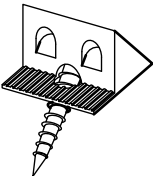
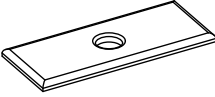
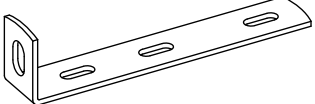
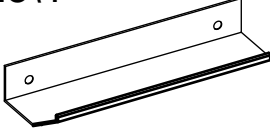

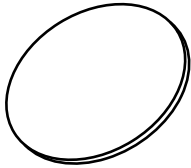
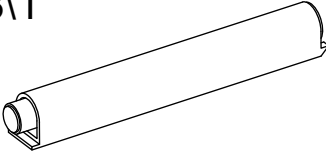
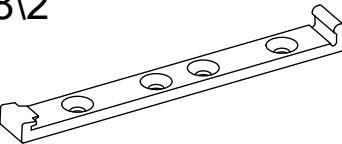
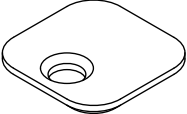
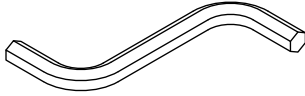
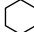


1:1



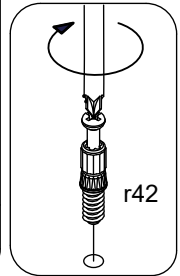
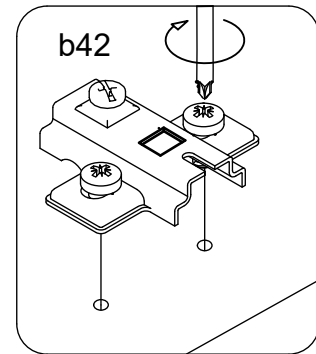
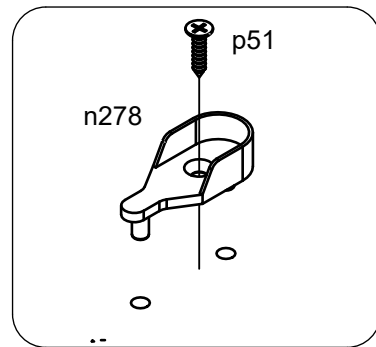
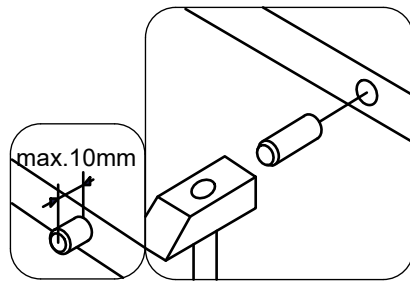
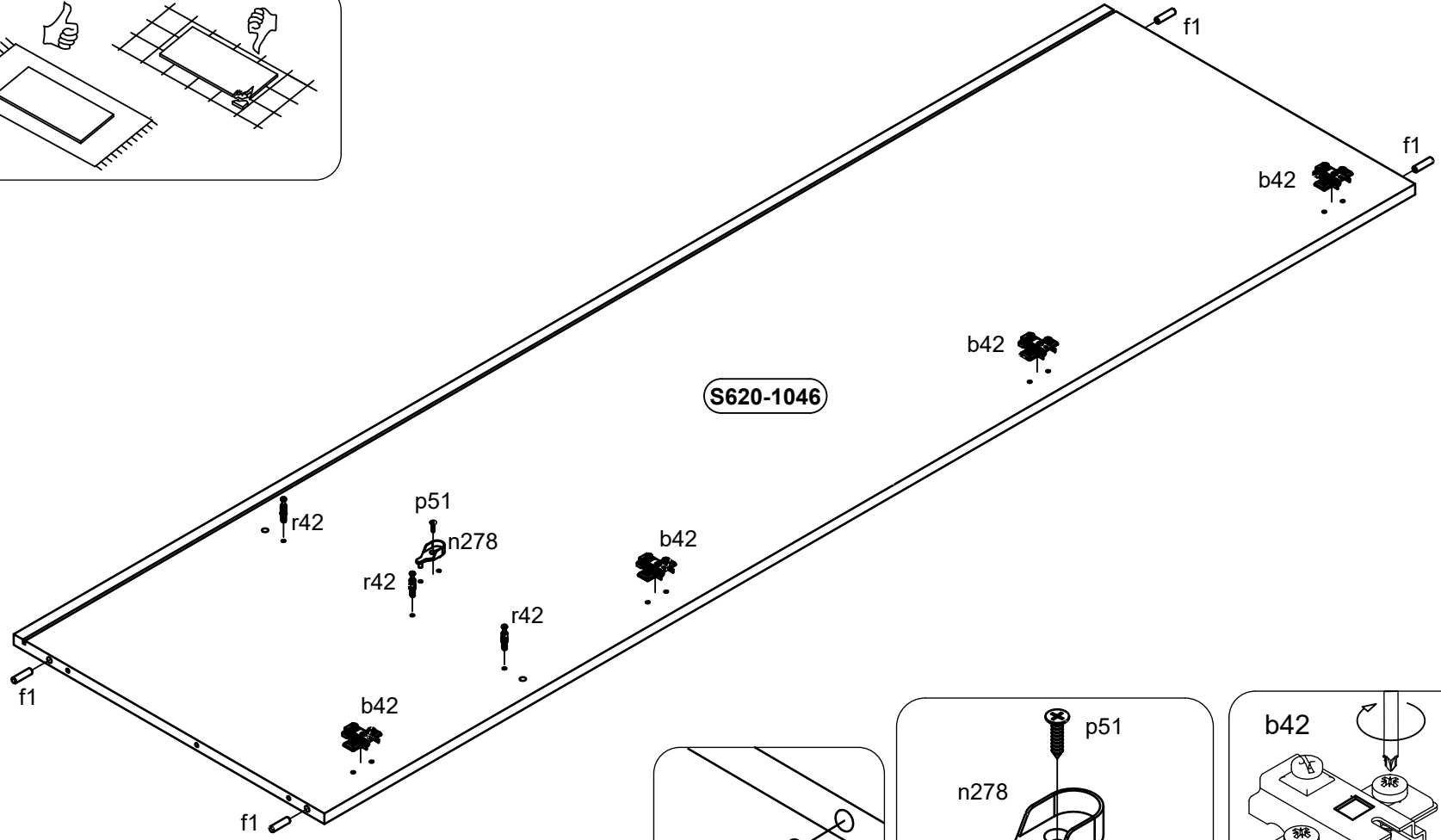
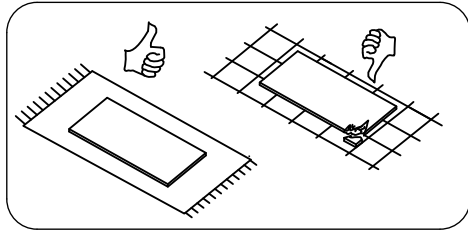
A**_S657-SZF4D**~~1:1~~

7 / 28



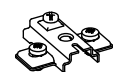

<p>a83</p> 	8x	<p>a173</p> 	5x	<p>b42</p> 	13x
<p>k27</p>  <p>fi48x19mm</p>	6x	<p>l2</p> 	16x	<p>n108</p> 	20x
<p>n14\2</p> 	2x	<p>c623\1</p>  <p>L84/64mm</p>	1x	<p>n278</p> 	4x
<p>s68</p>  <p>Ø20mm</p>	12x	<p>z28\1</p> 	2x	<p>z28\2</p> 	2x
<p>z28\3</p> 	2x	<p>z1</p>  <p> 3mm</p>	1x		

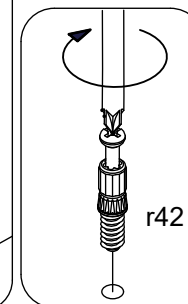
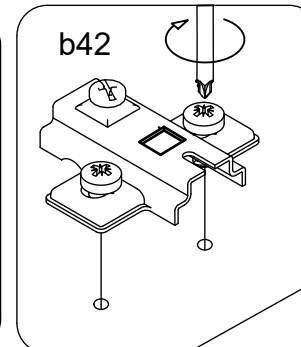
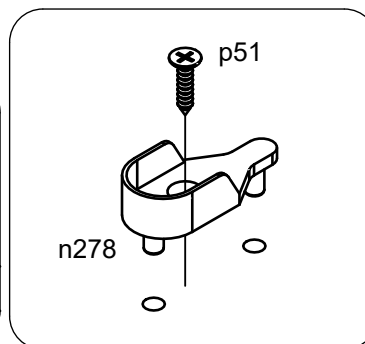
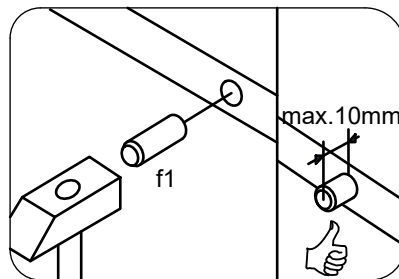
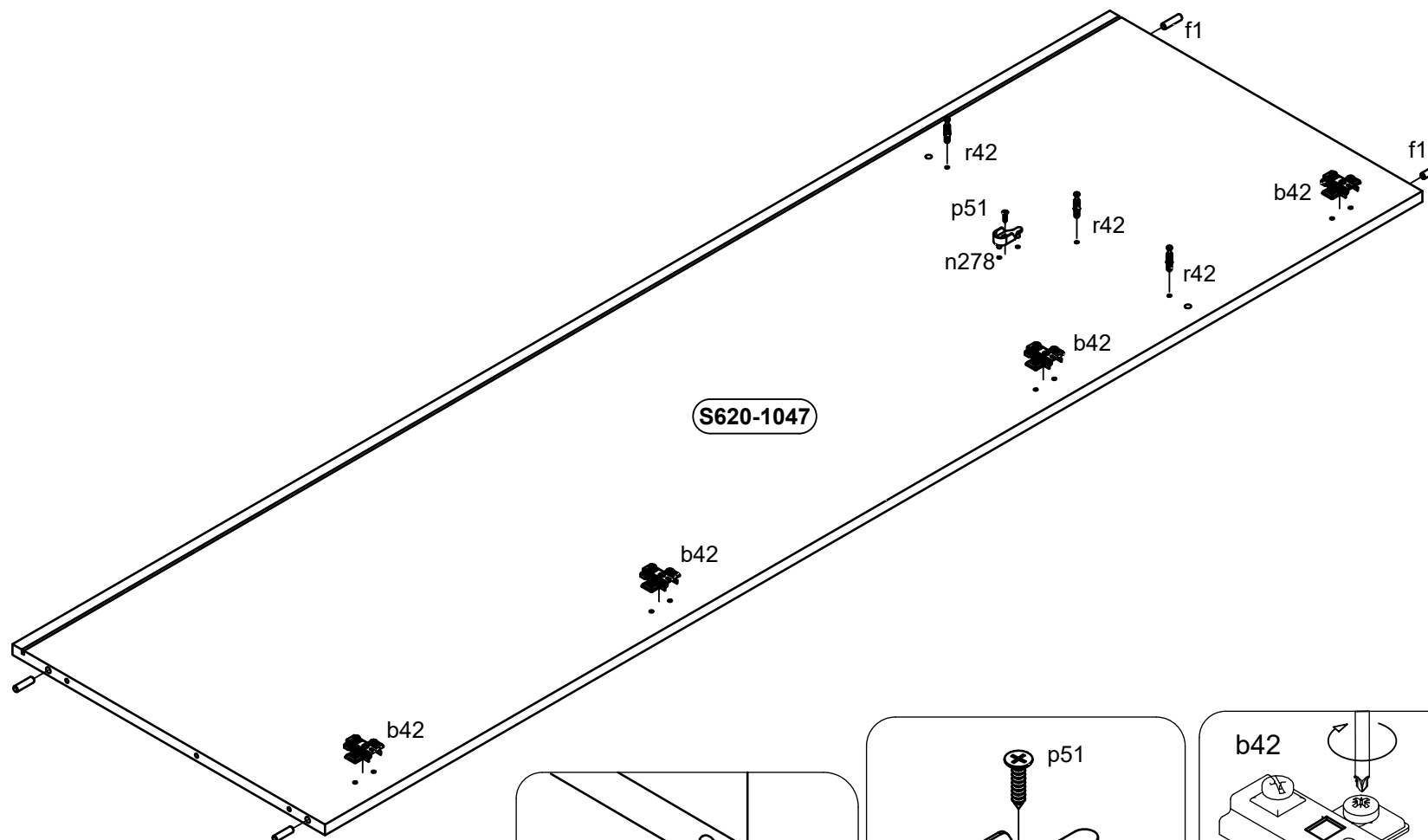


p51 3.5x15mm	1x	r42 	3x	f1 30mm	4x	b42 	4x	n278 	1x
---------------------	----	---------	----	----------------	----	---------	----	----------	----



2

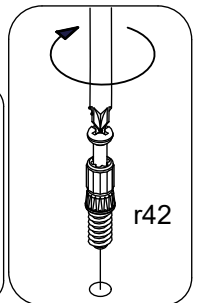
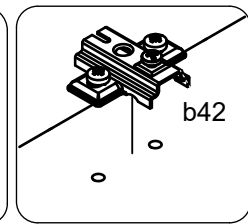
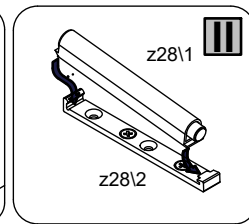
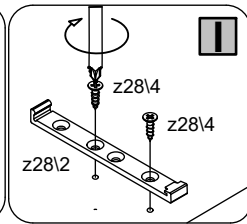
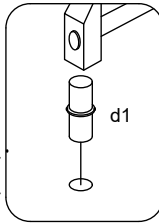
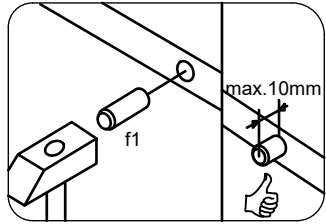
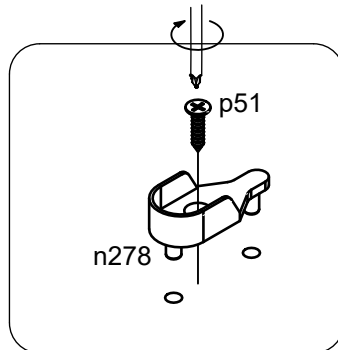
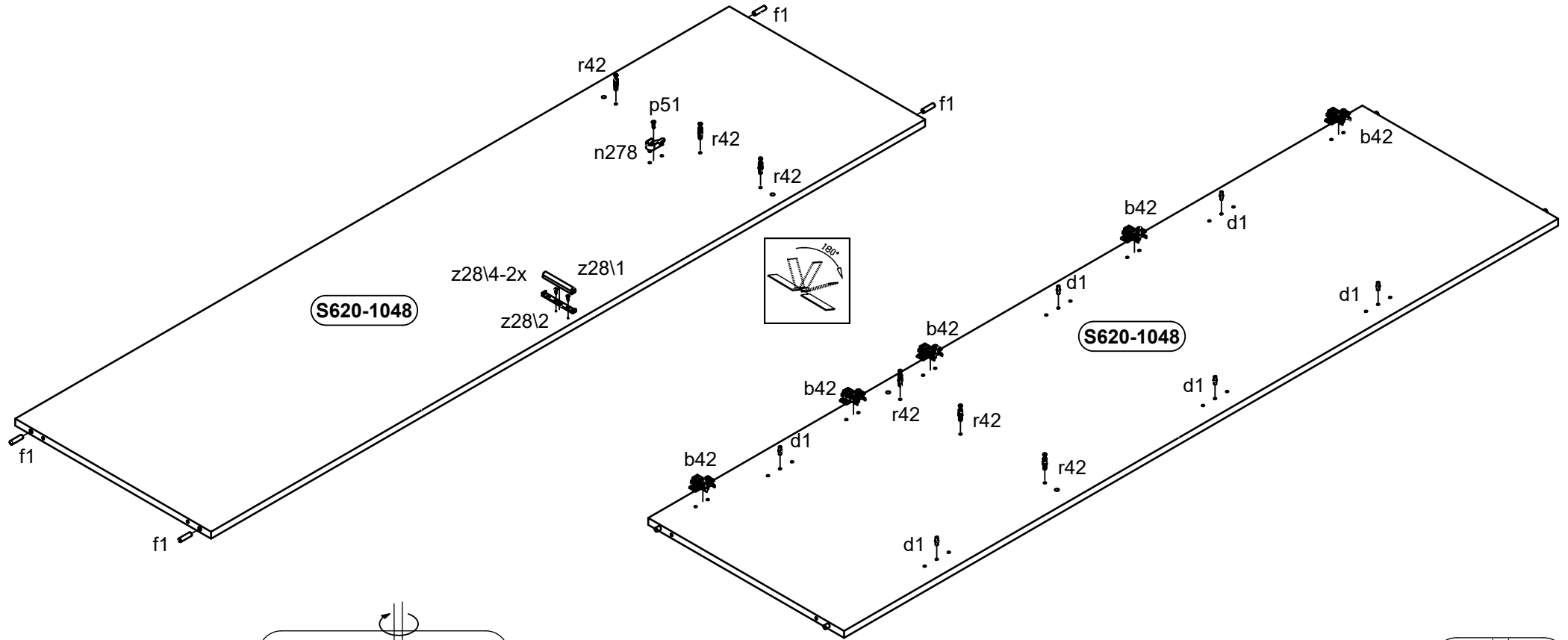
<p>p51  3.5x15mm</p>	<p>1x</p>	<p>r42 </p>	<p>3x</p>	<p>f1  30mm</p>	<p>4x</p>	<p>b42 </p>	<p>4x</p>	<p>n278 </p>	<p>1x</p>
---	-----------	---	-----------	--	-----------	---	-----------	--	-----------



3



n278 	1x	d1 	6x	f1 	4x	p51 	1x	r42 	6x
		fi5mm		30mm		3.5x15mm			
b42 	5x	z28\4 	2x	z28\2 	1x	z28\1 	1x		1x
		3x12mm							


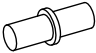
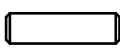


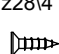
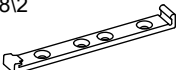



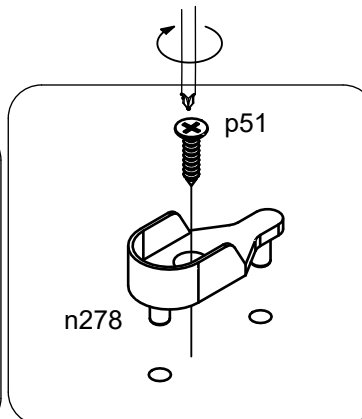
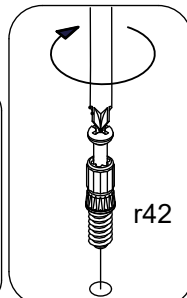
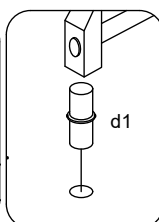
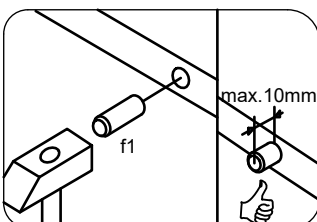
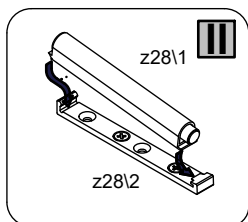
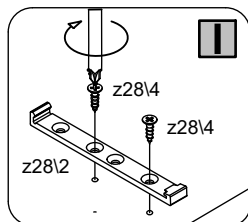
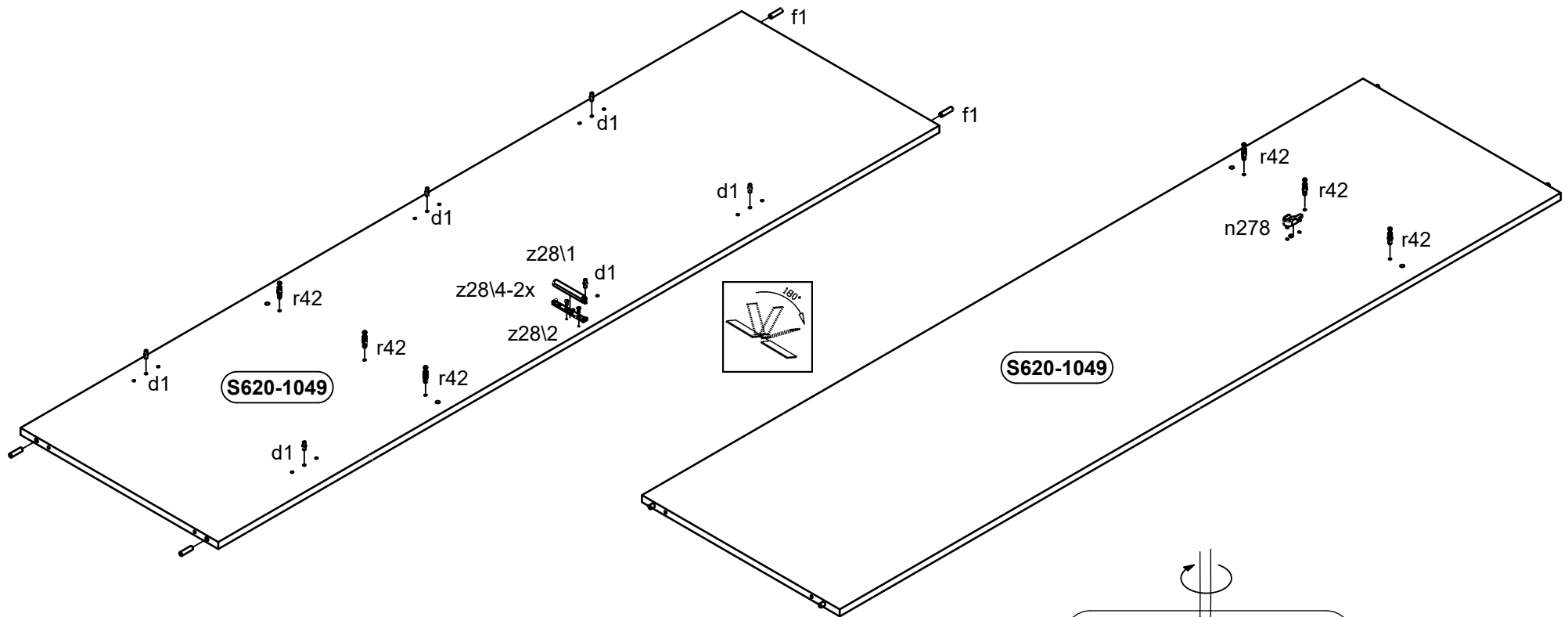
A

_S657-SZF4D



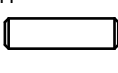
4

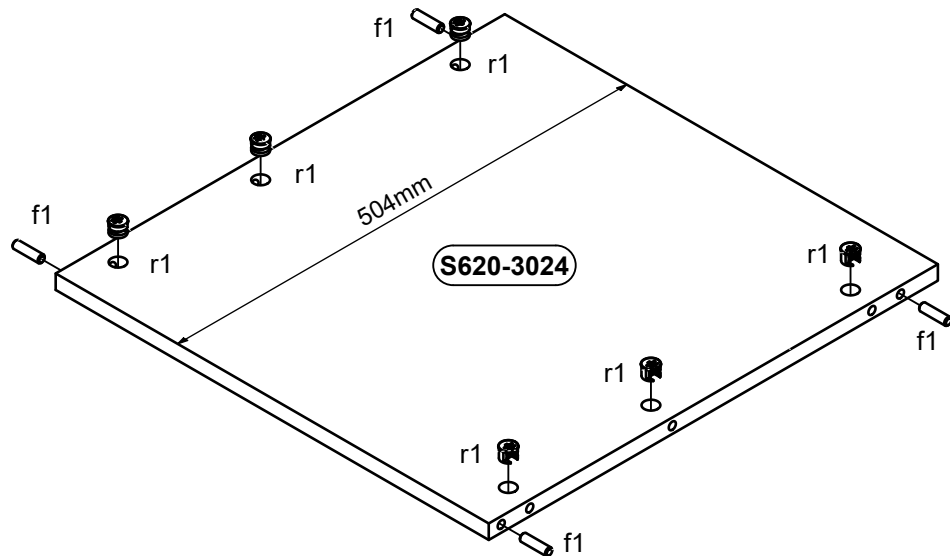


n278 	1x	d1 	6x	f1 	4x	p51 	1x	r42 	6x
		fi5mm		30mm		3.5x15mm			
				z28\4 	2x	z28\2 	1x	z28\1 	1x
				3x12mm					

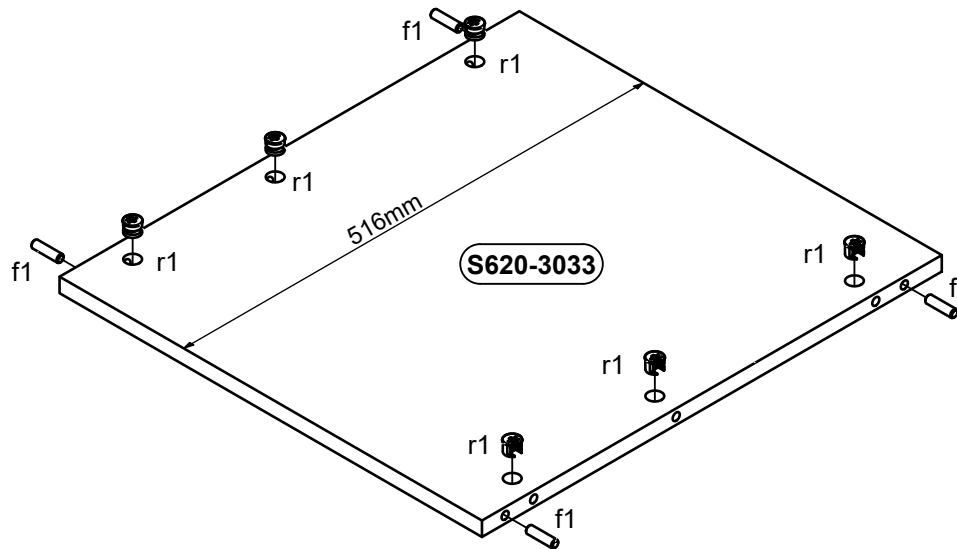


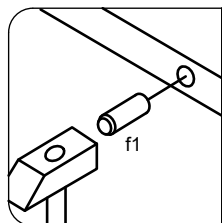
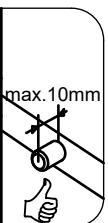
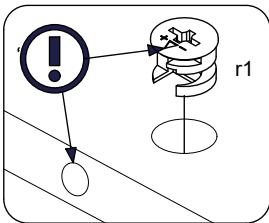
5

 r1	 15x12mm	12x	 f1	30mm	8x
---	--	-----	---	------	----

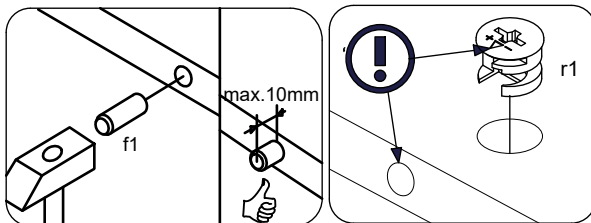
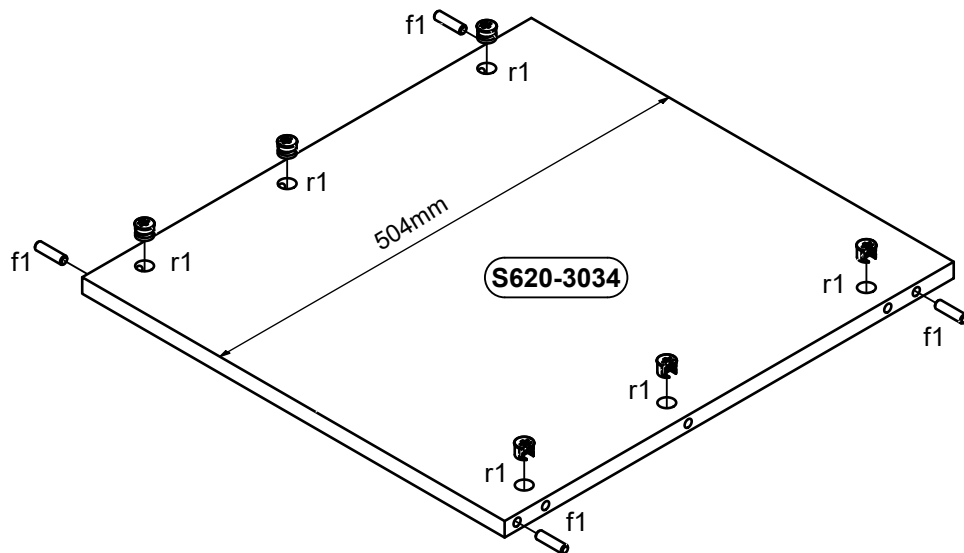
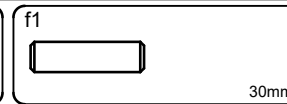


6





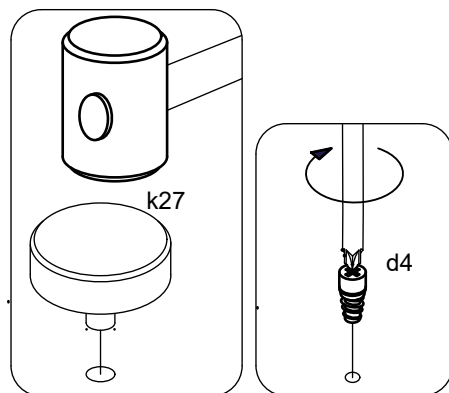
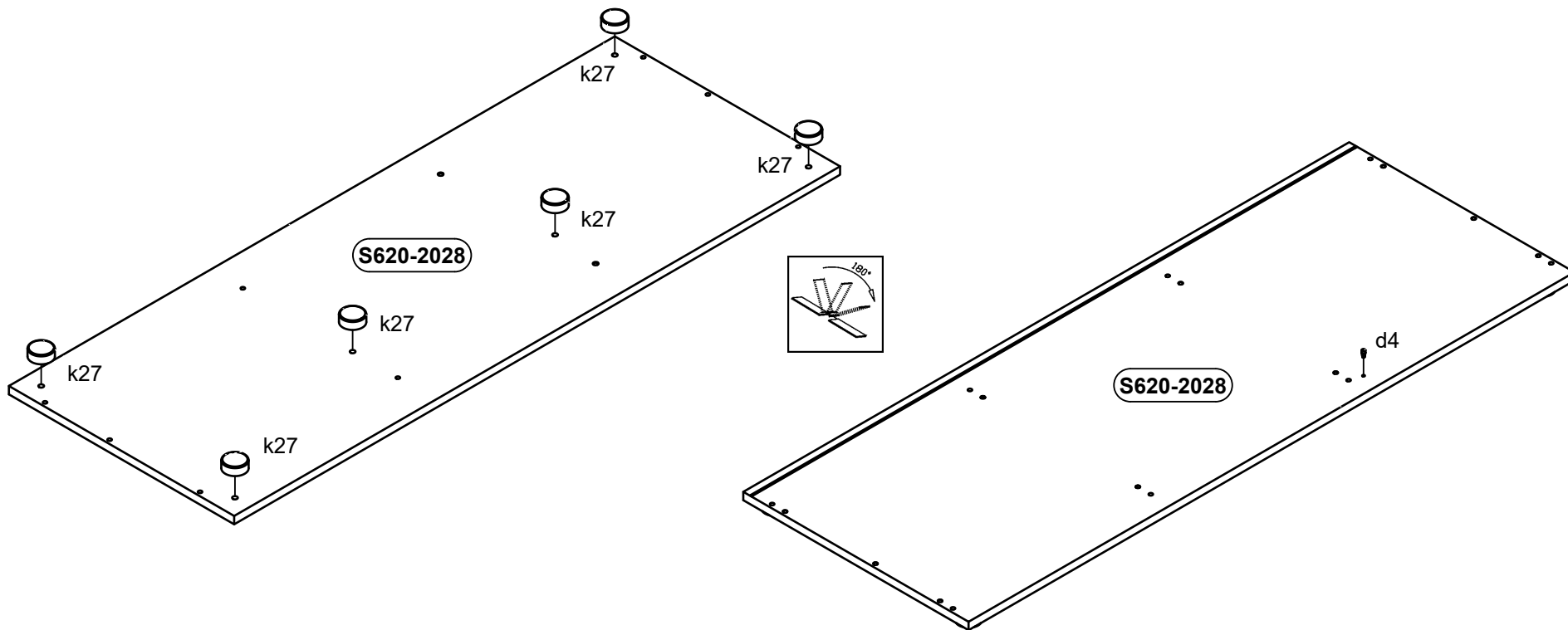
		
---	---	---

7

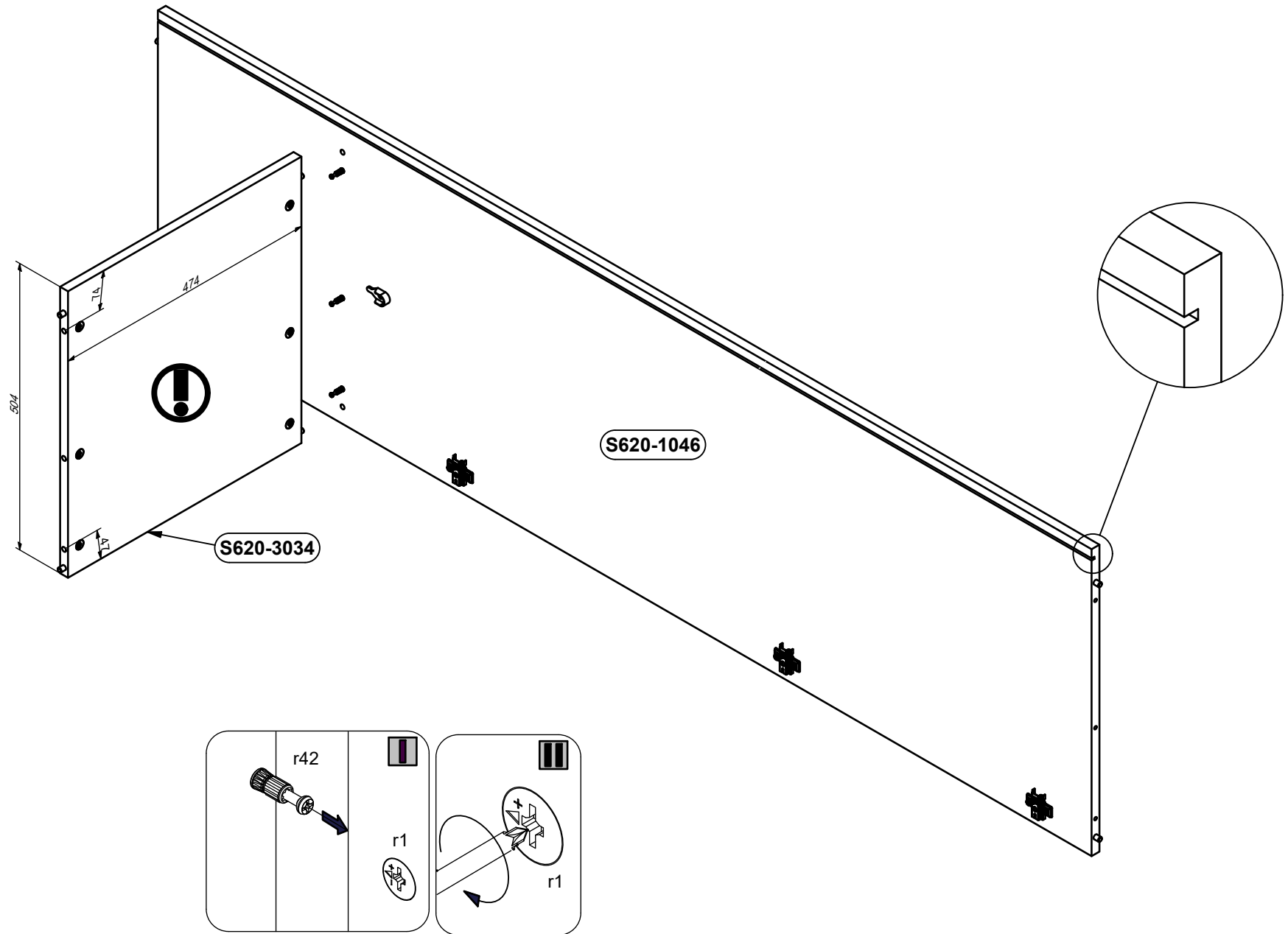


8

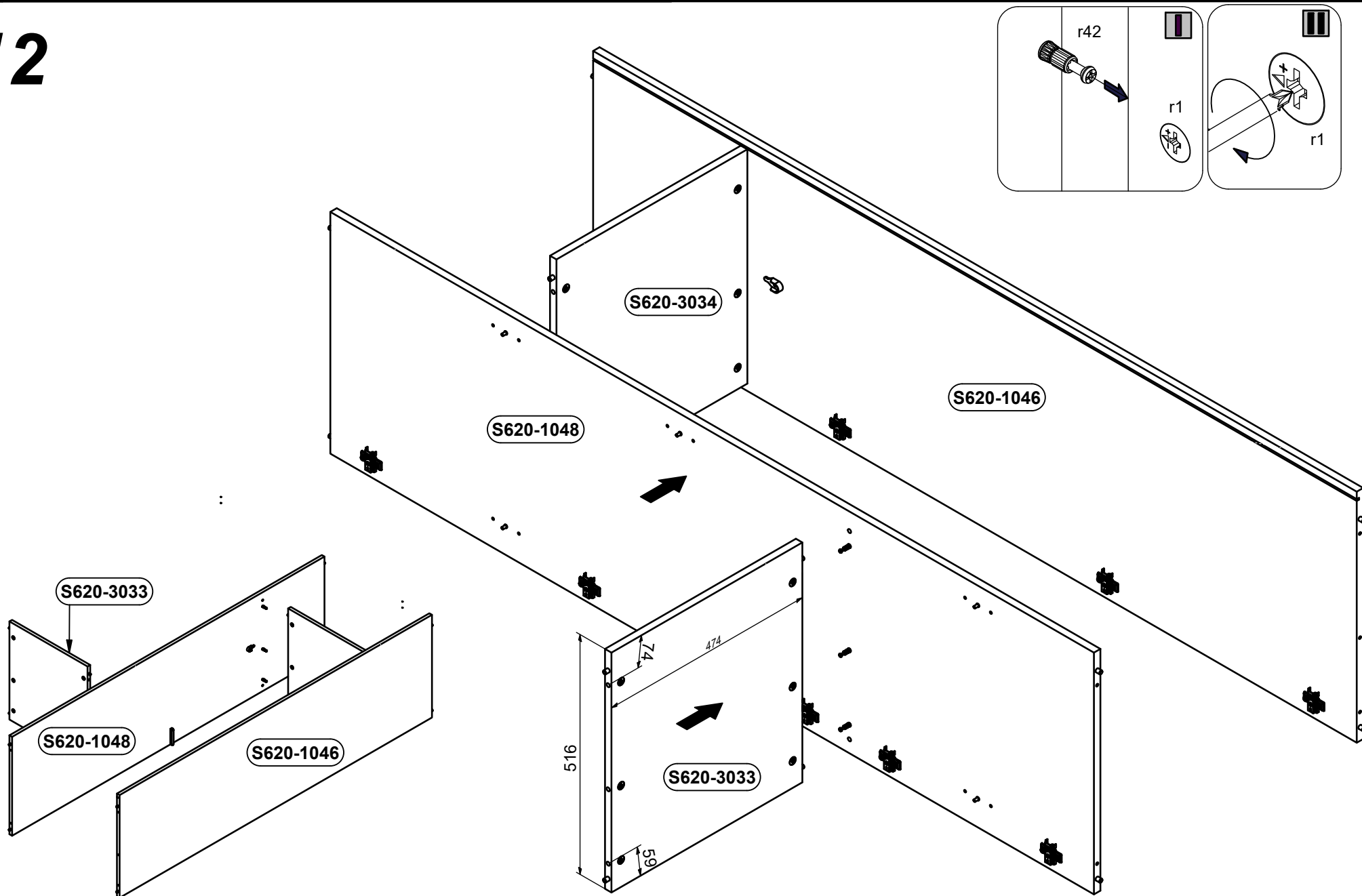
k27  fi48x19mm	6x	d4  Ø6.3x15 mm	1x
---	----	---	----



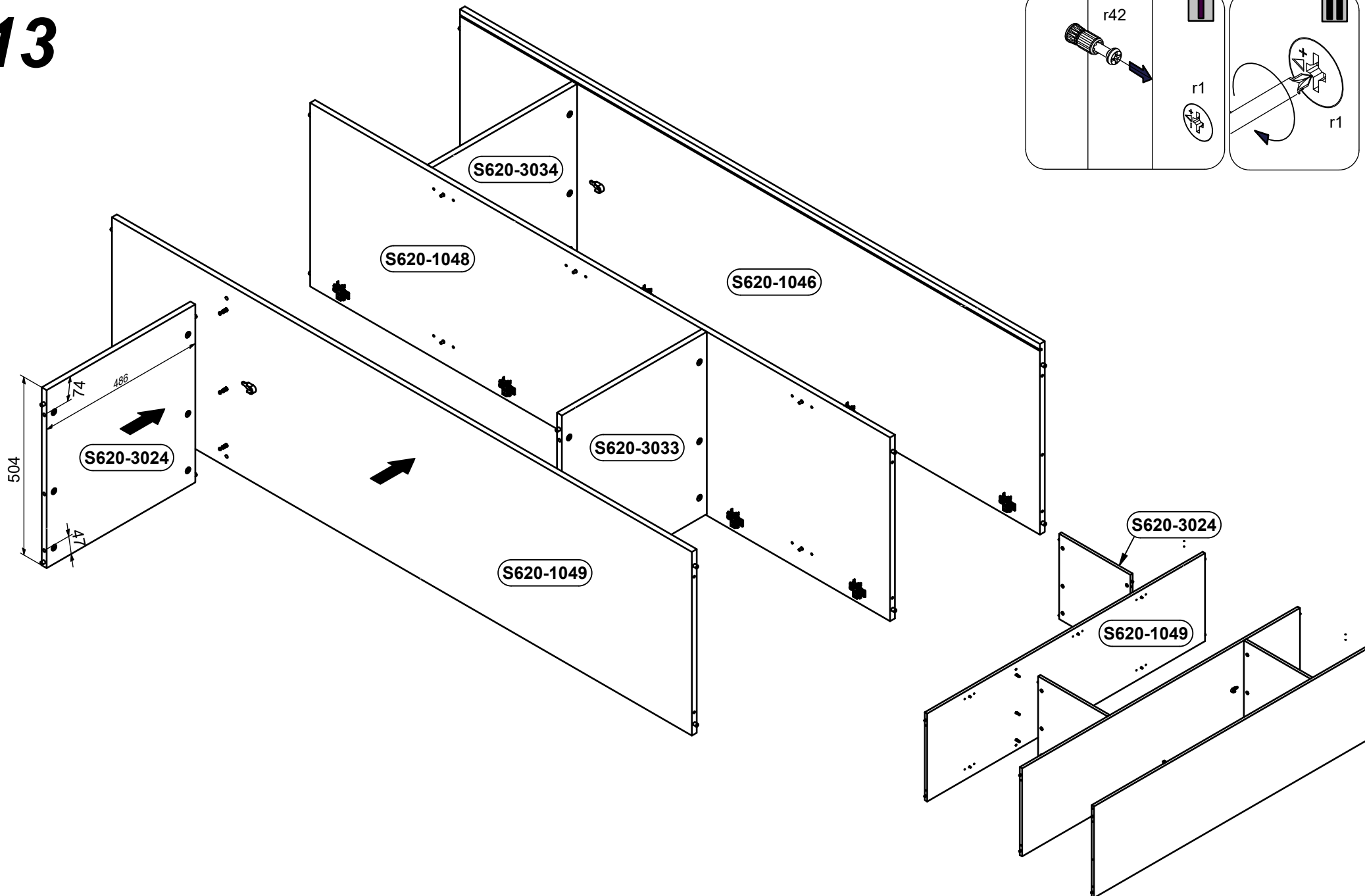
11



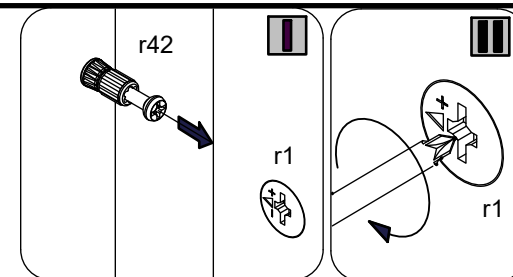
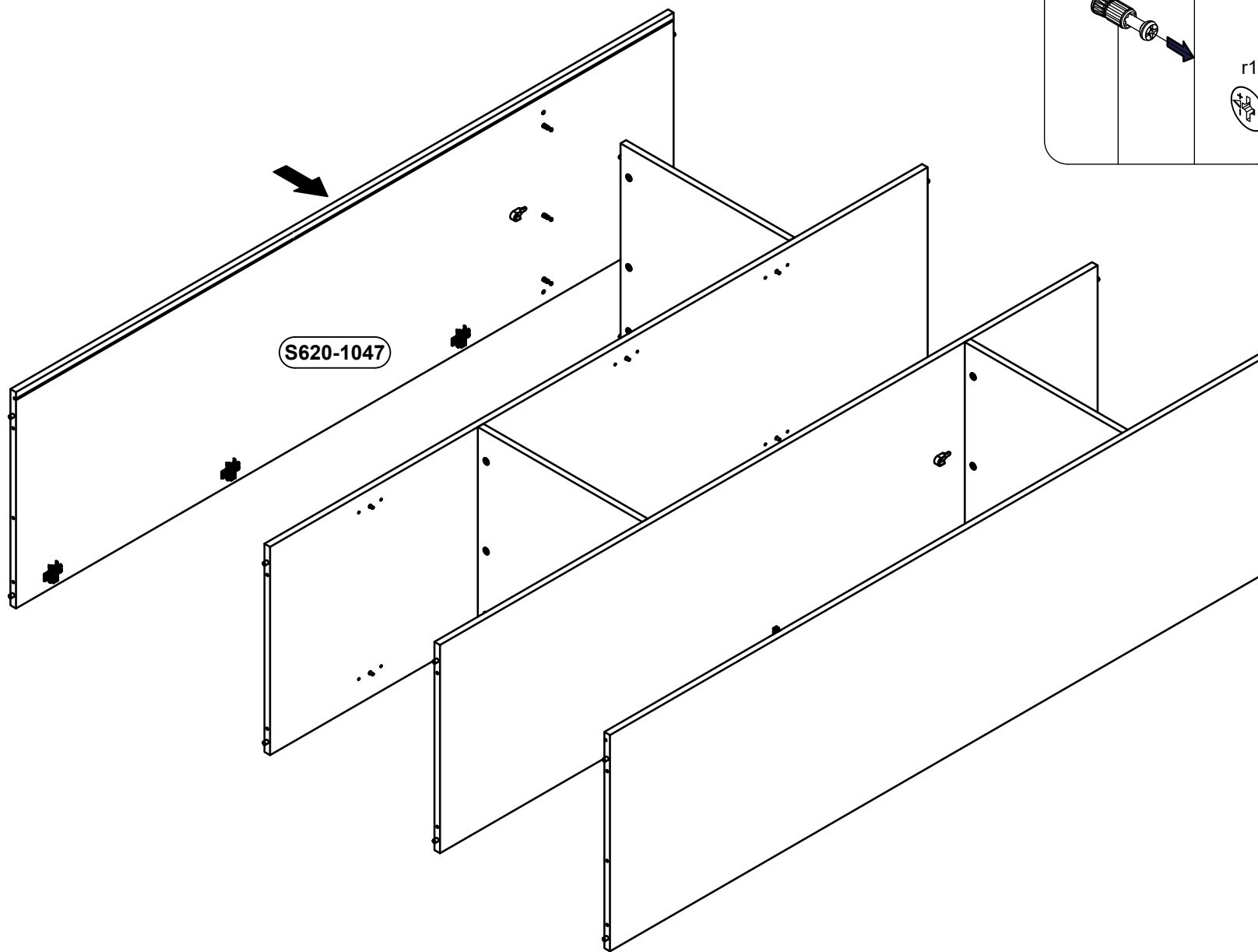
12



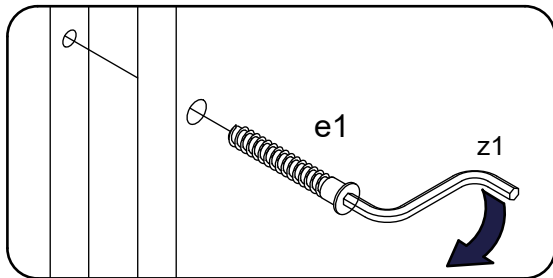
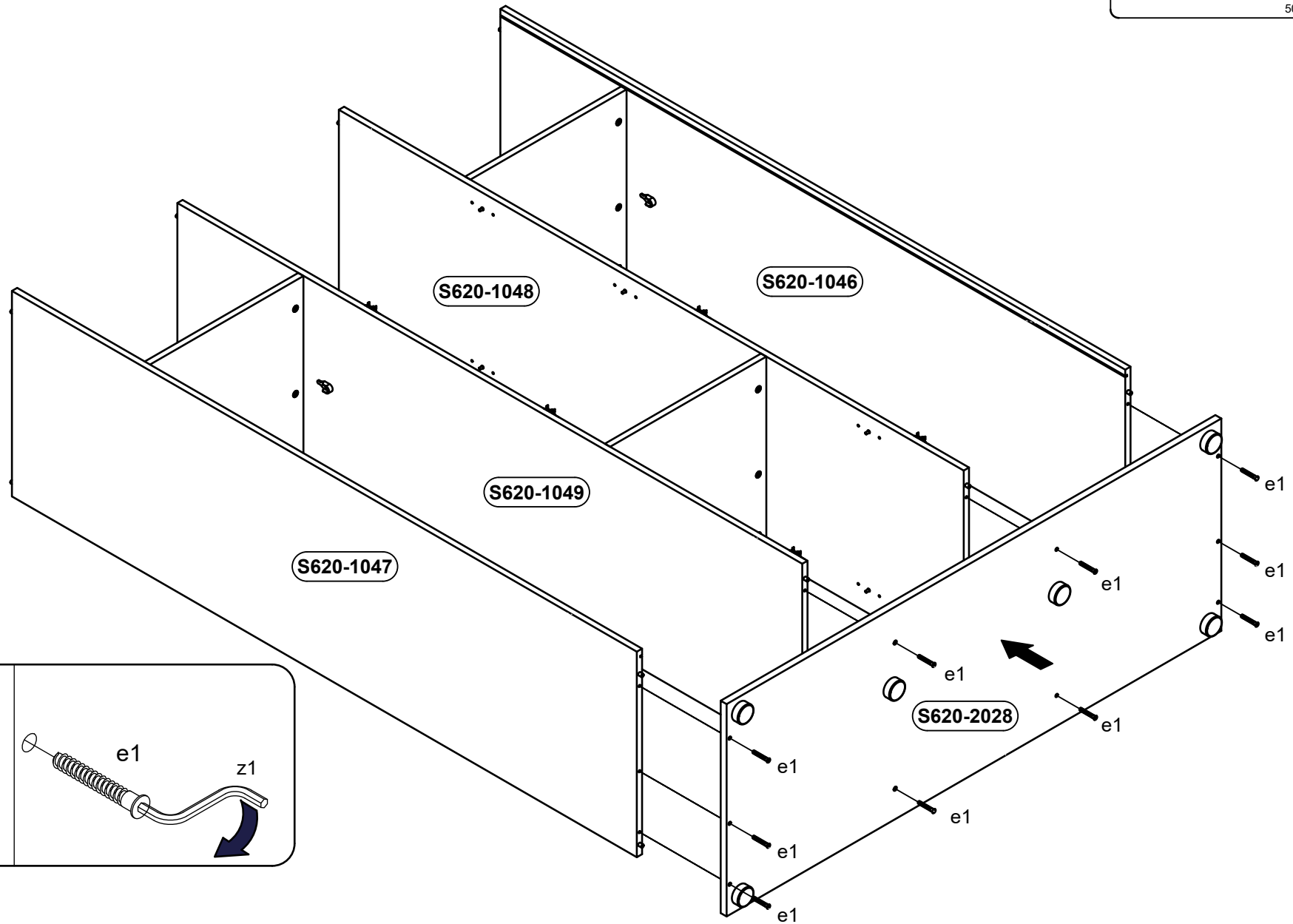
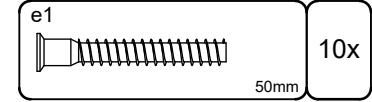
13



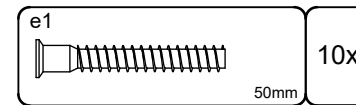
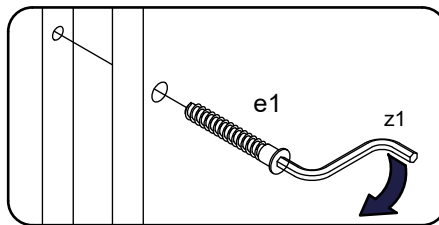
14



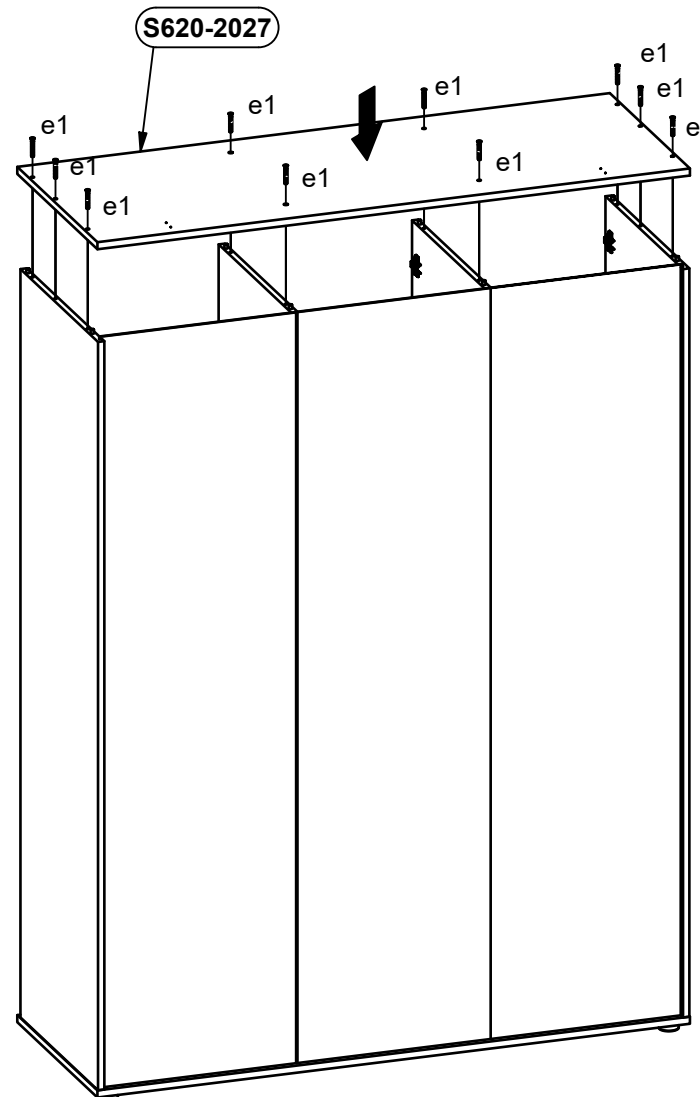
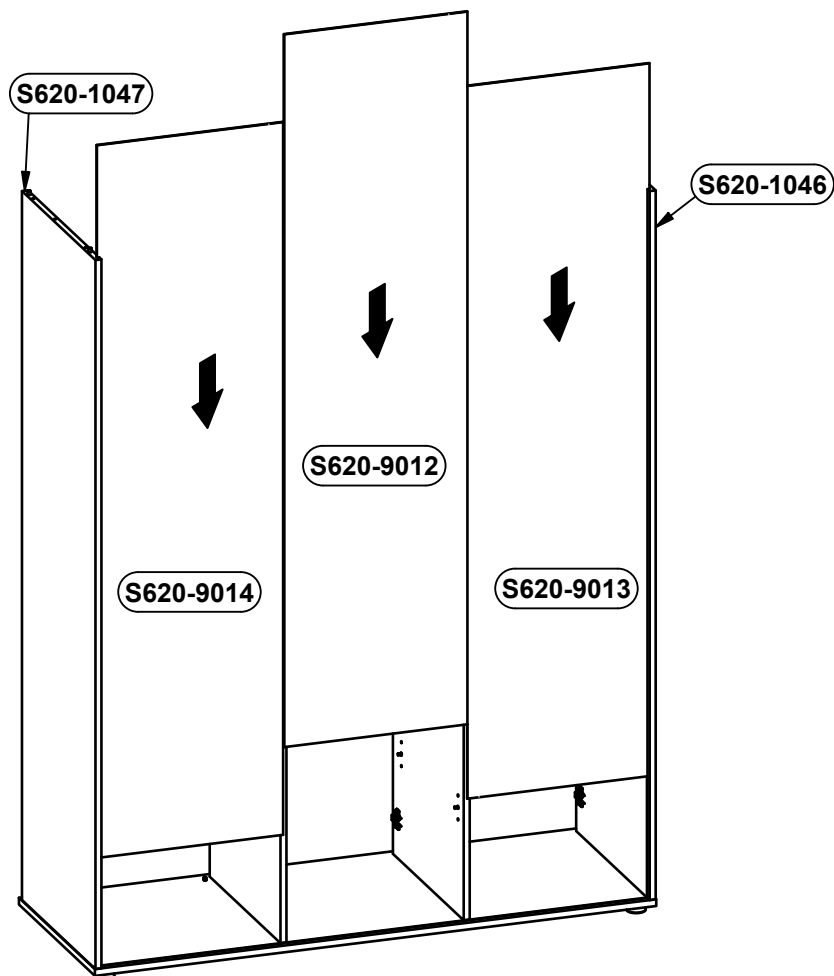
15

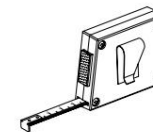
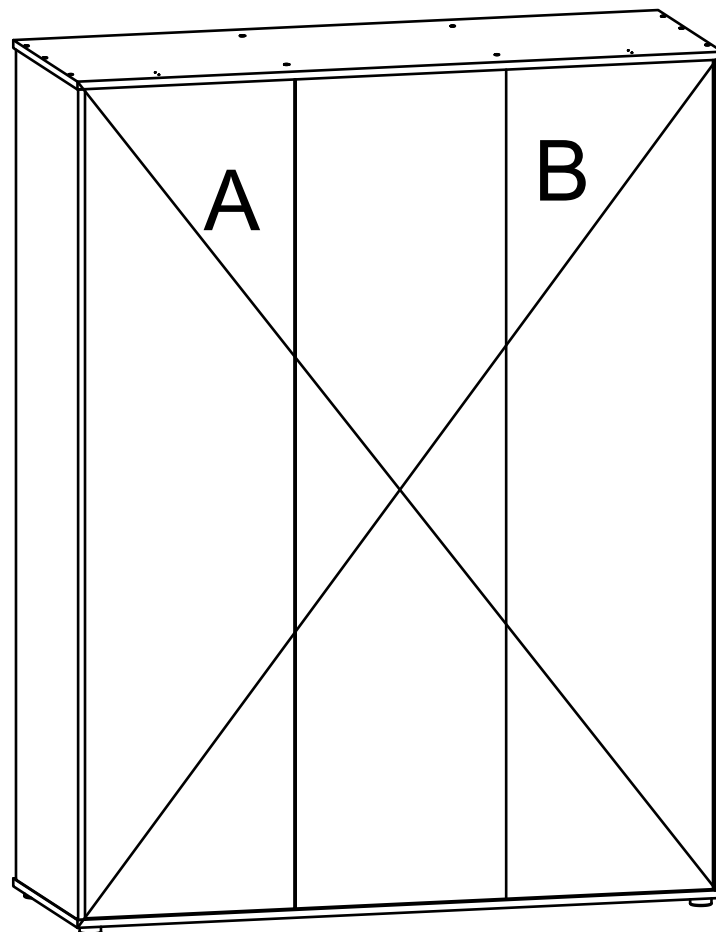


15



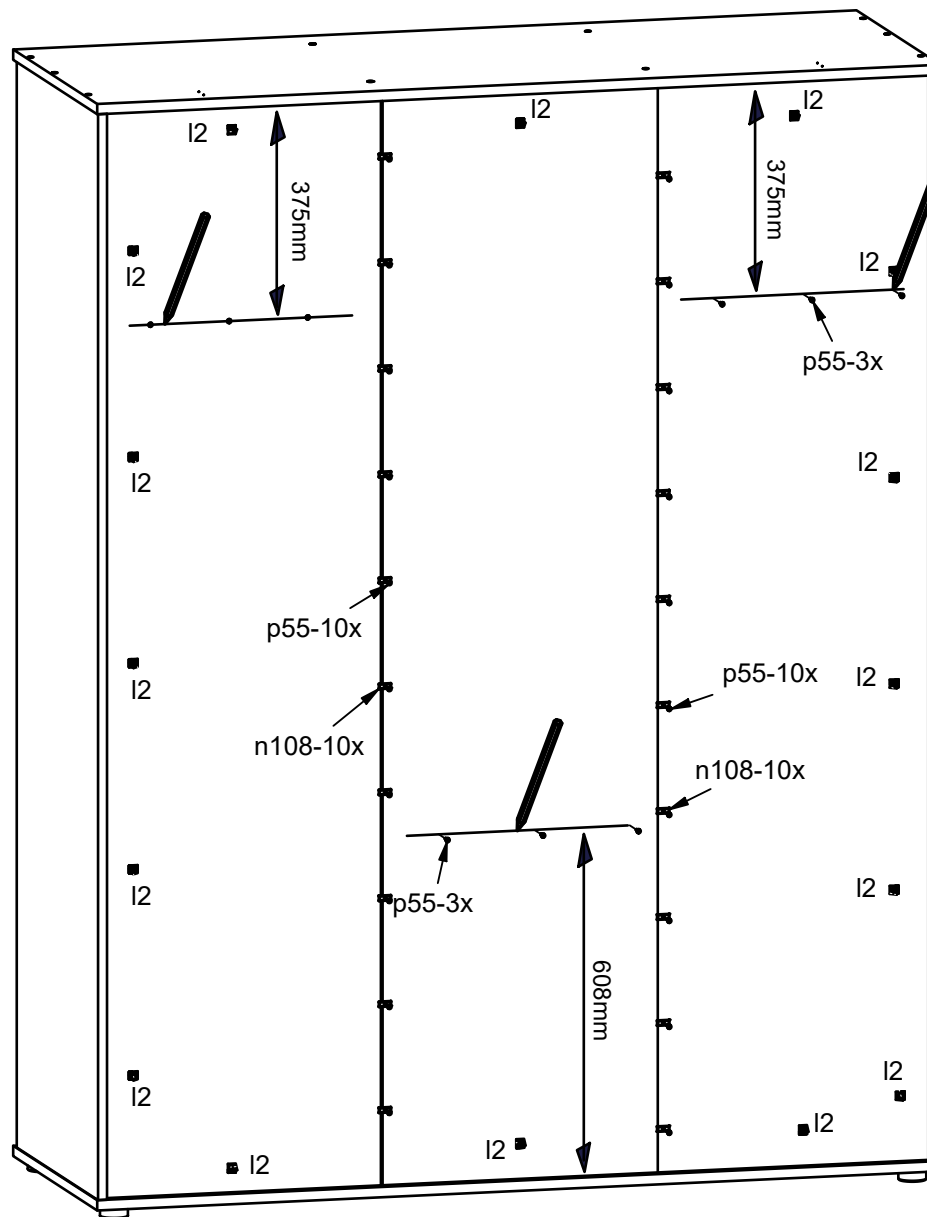
16



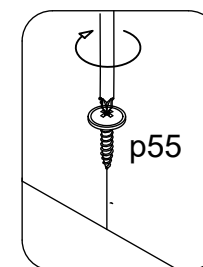
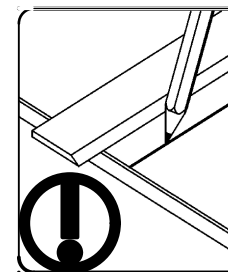
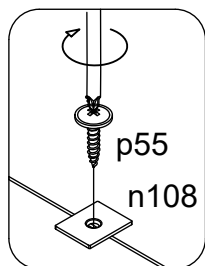
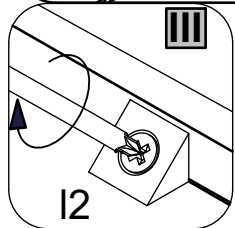
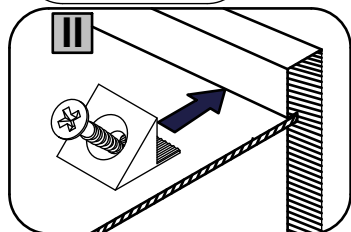
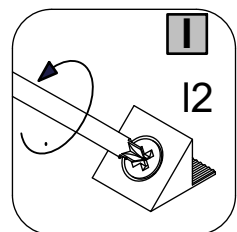


A=B

19



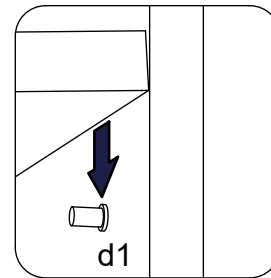
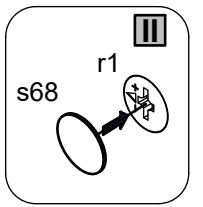
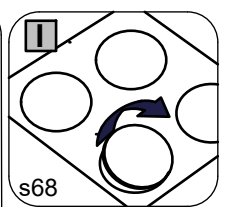
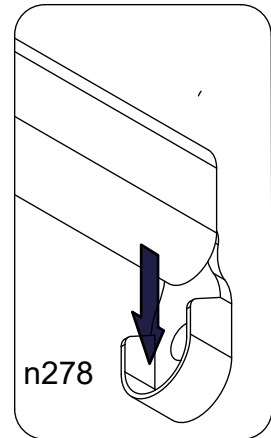
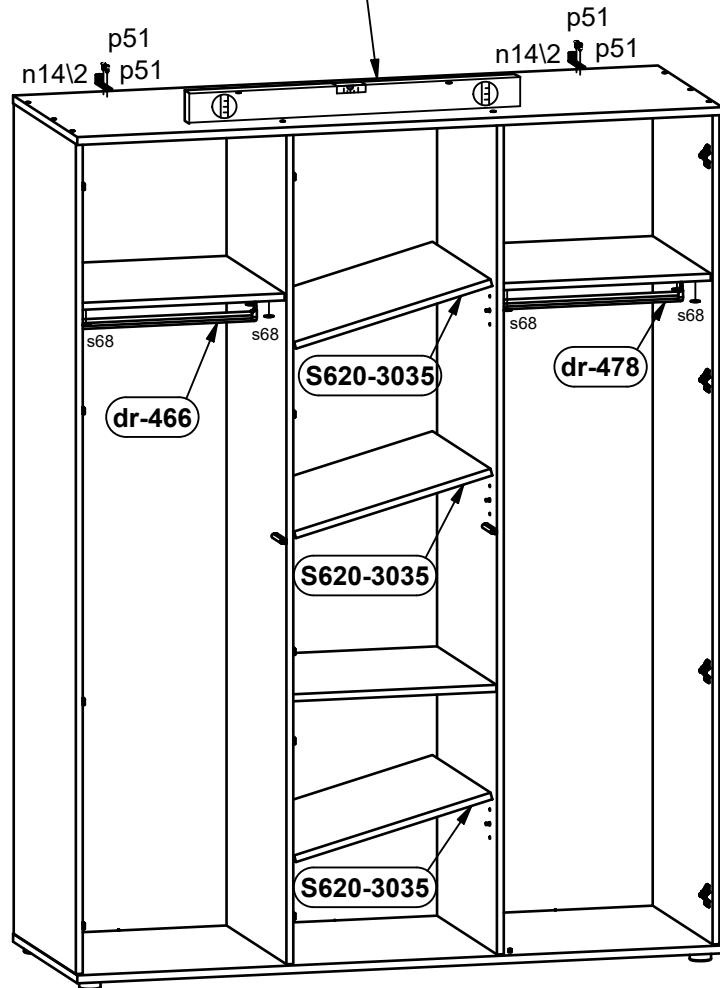
n108		20x
p55		29x 2.8x16mm
I2		16x



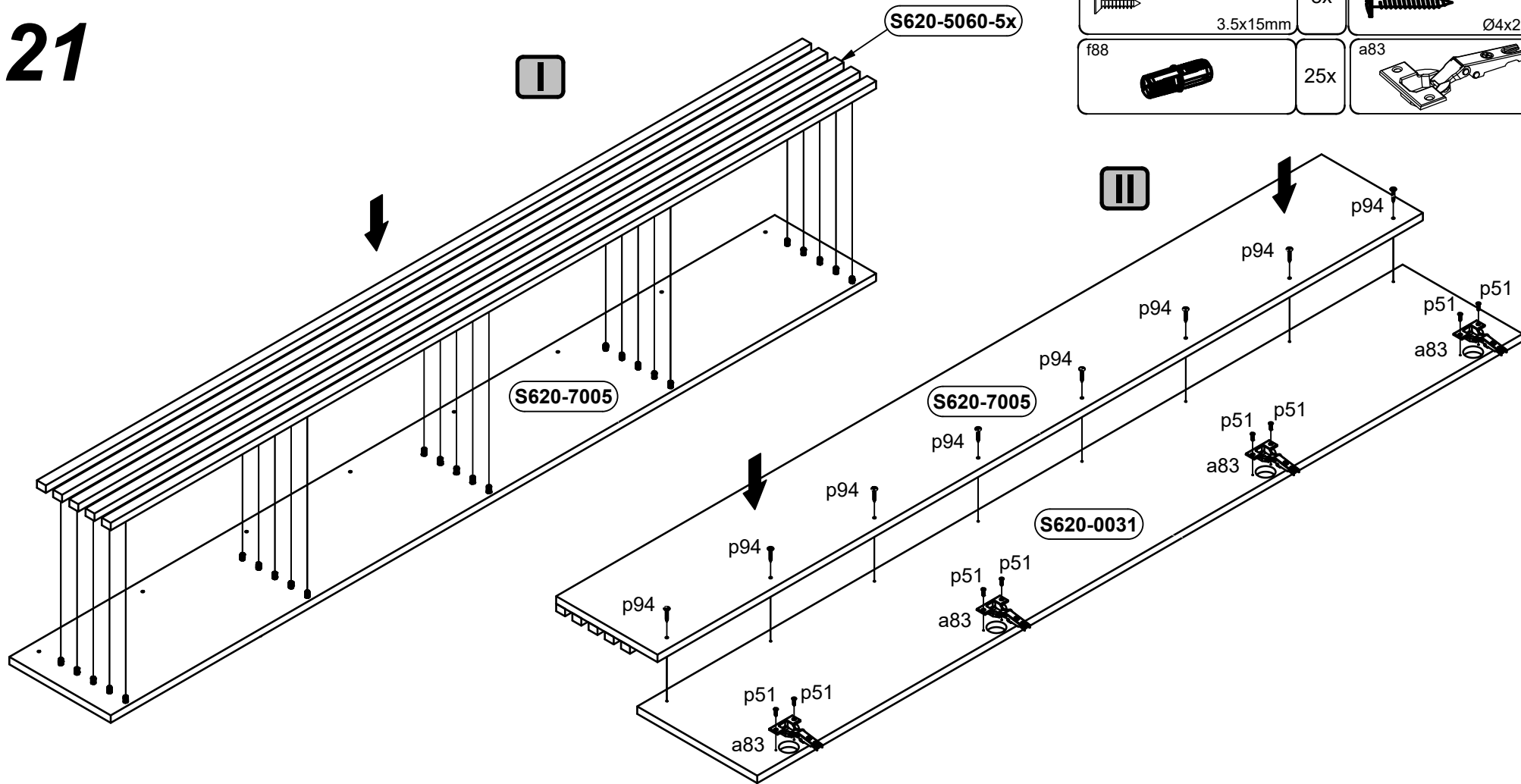
20



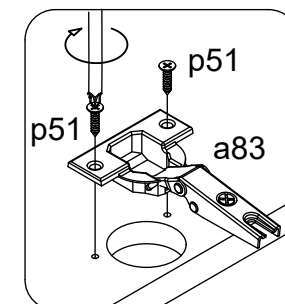
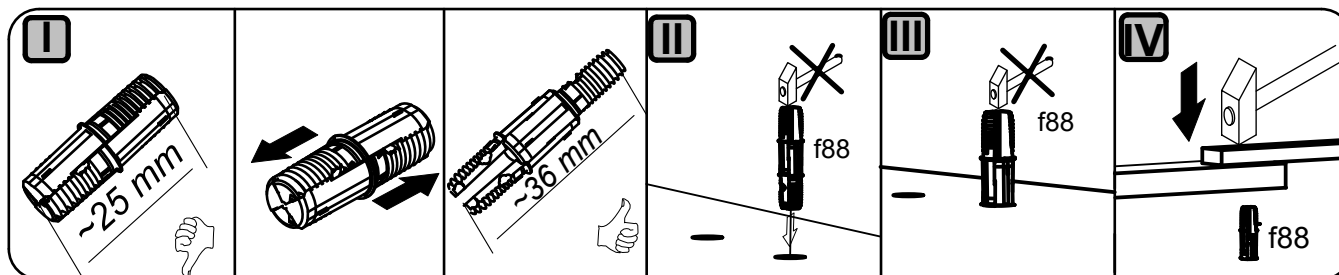
s68		12x
n14\2		2x
p51		4x
		3.5x15mm




21

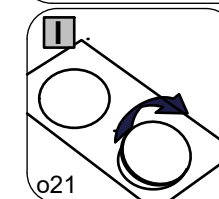
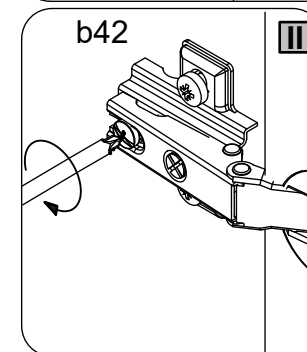
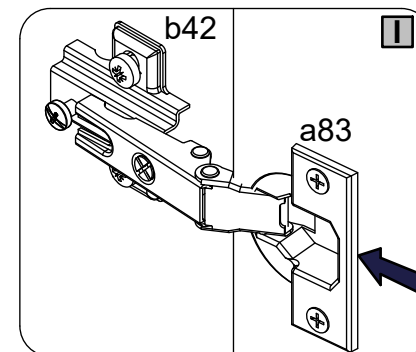
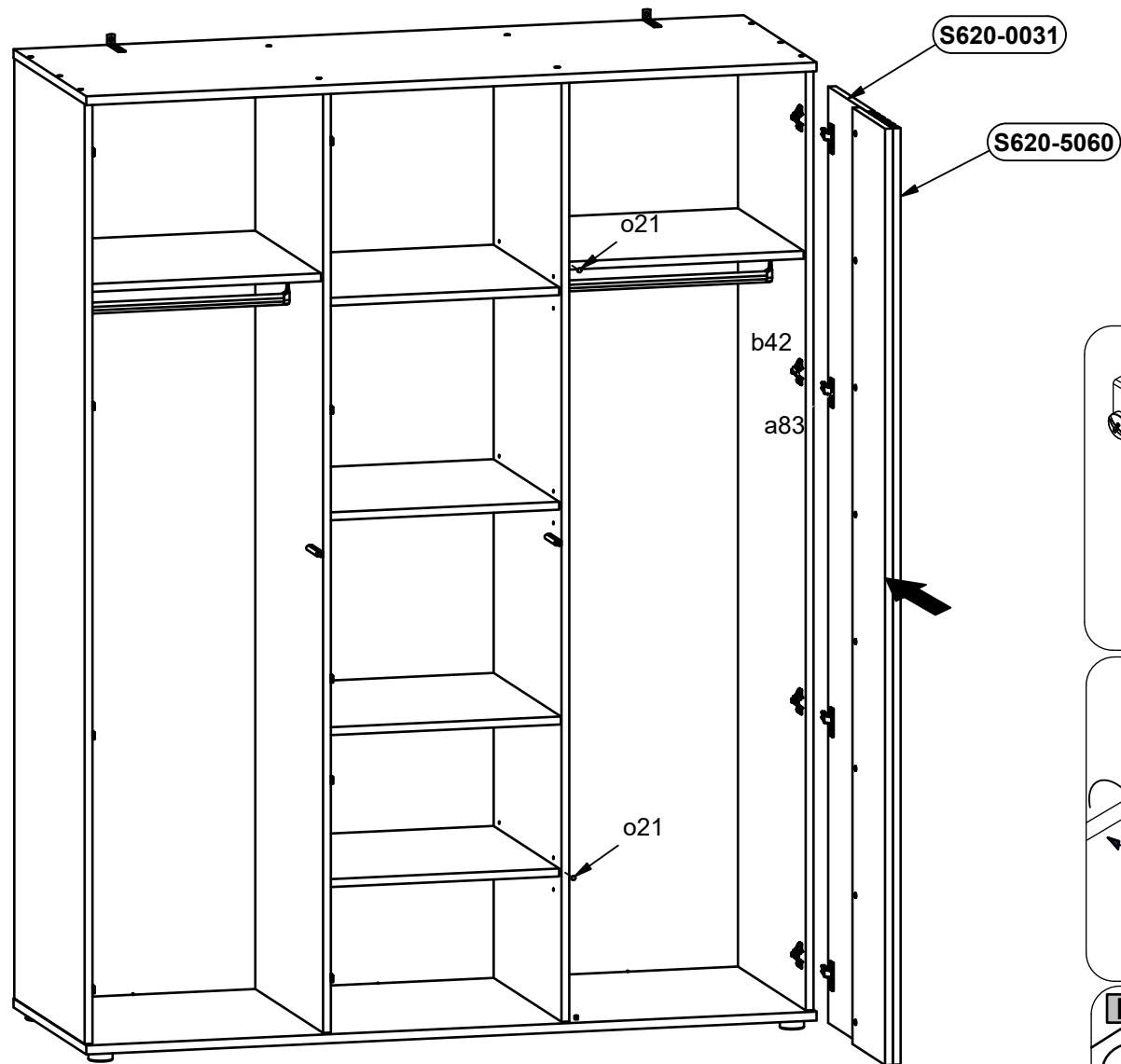


p51 3.5x15mm 8x	p94 Ø4x28 mm 8x
f88 25x	a83 4x


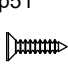
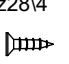



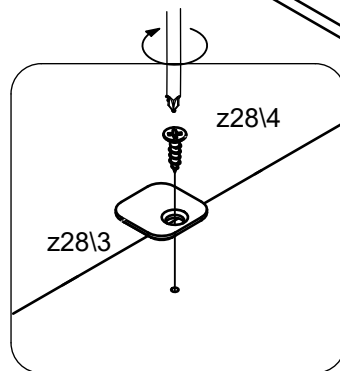
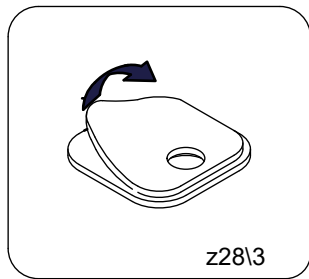
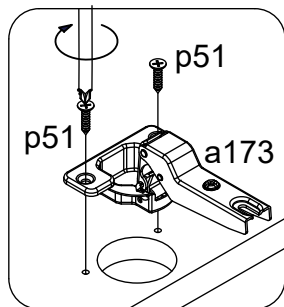
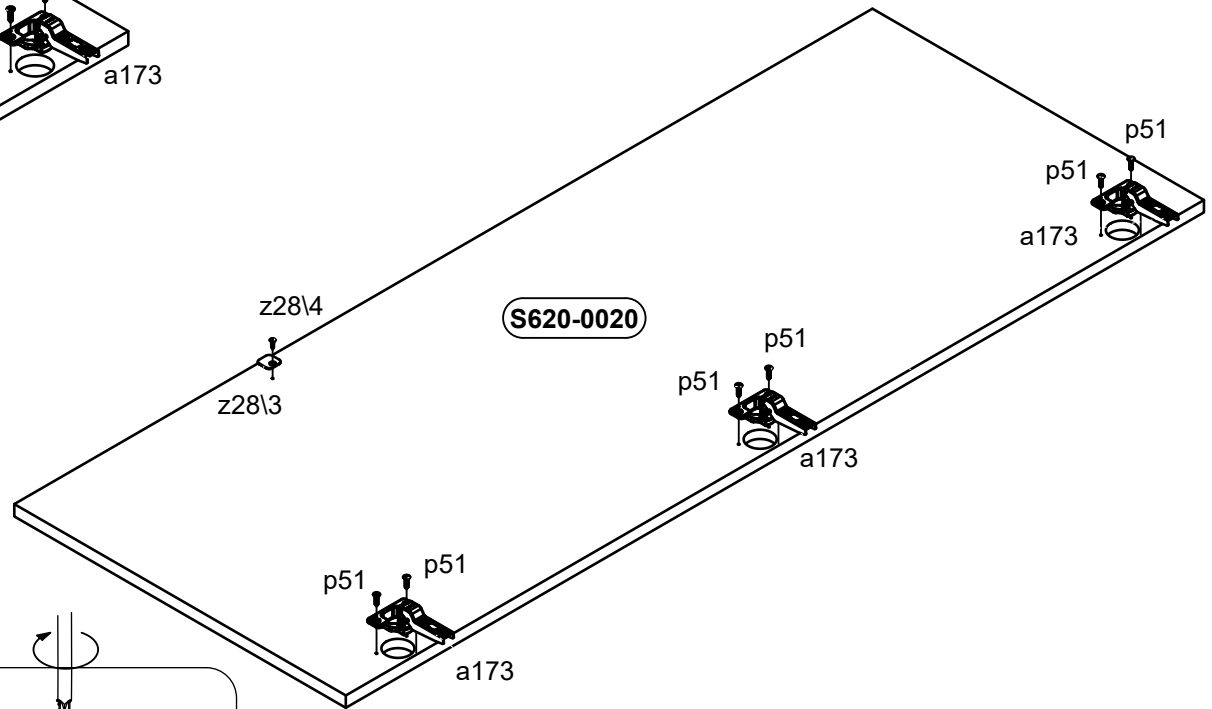
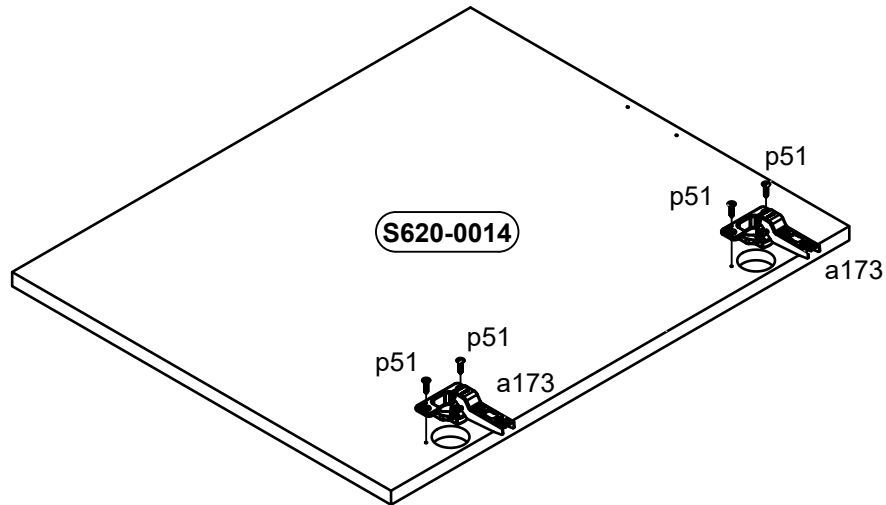
22

o21		2x
		∅8/1,8mm

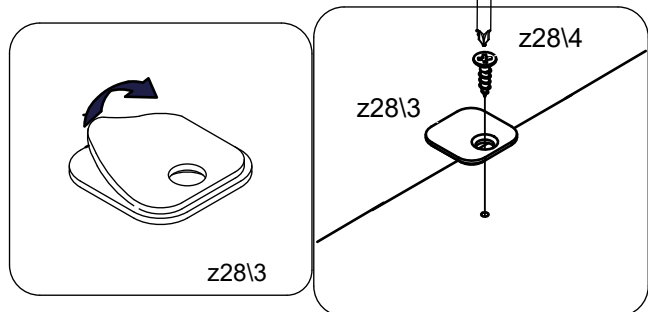


23

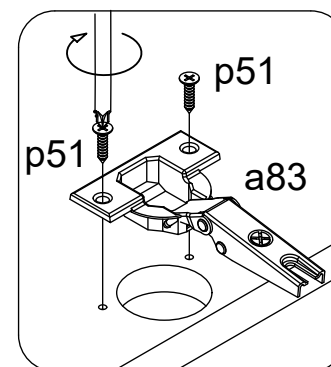
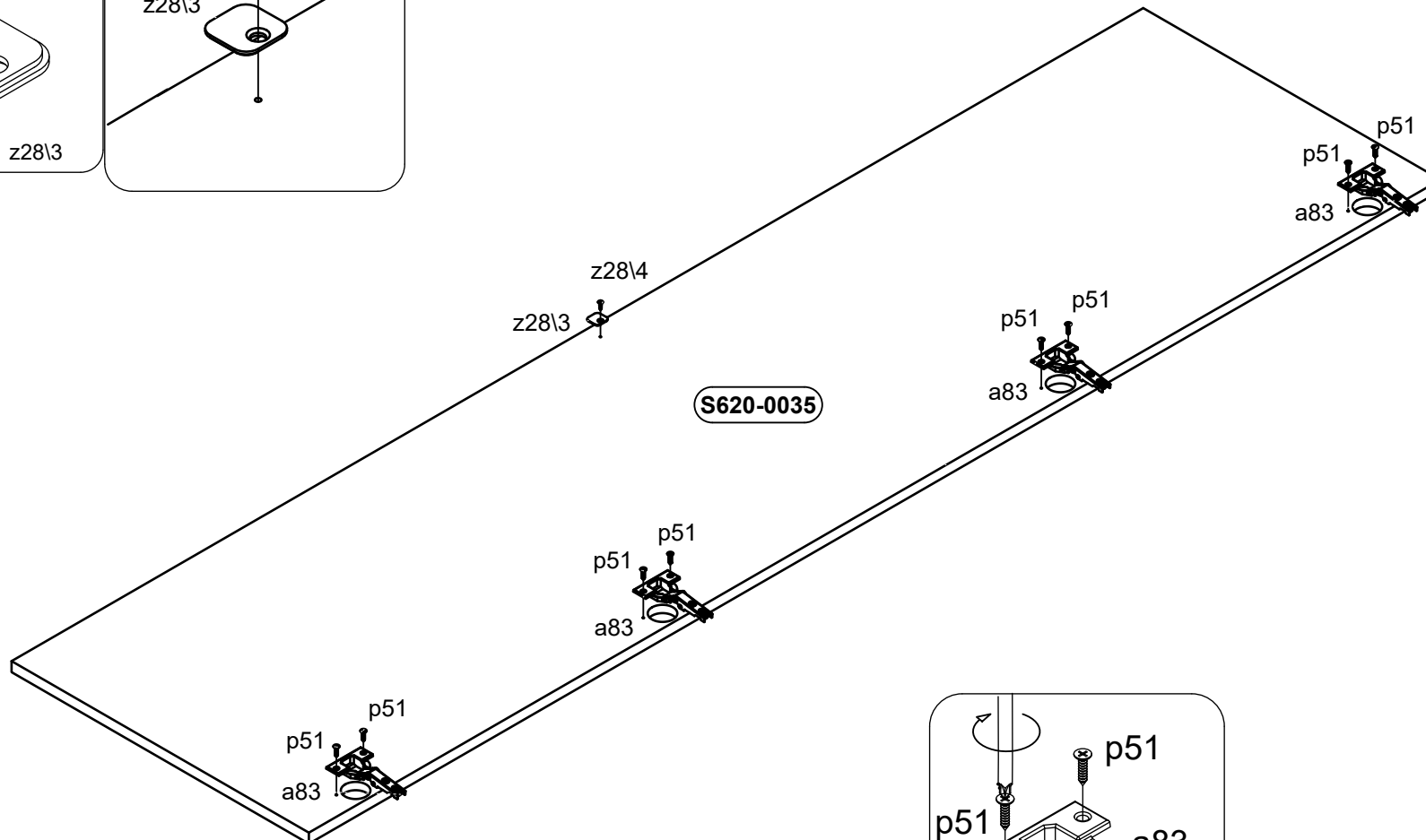
 <p>a173</p>	<p>5x</p>	 <p>p51</p> <p>3.5x15mm</p>	<p>10x</p>	 <p>z28\4</p> <p>3x12mm</p>	<p>1x</p>
				 <p>z28\3</p>	<p>1x</p>



24



a83		4x	p51		8x	z28\4		1x
				3.5x15mm			3x12mm	
						z28\3		1x



25

