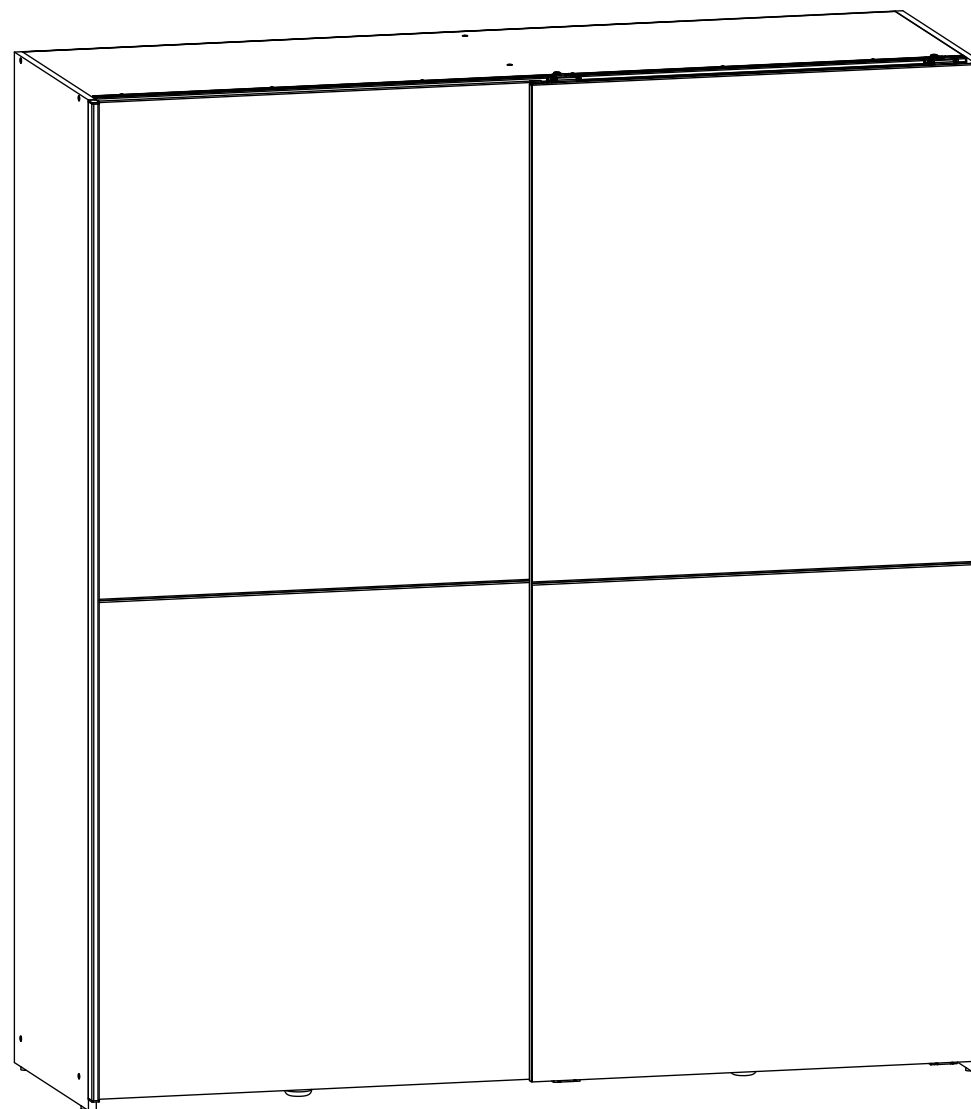
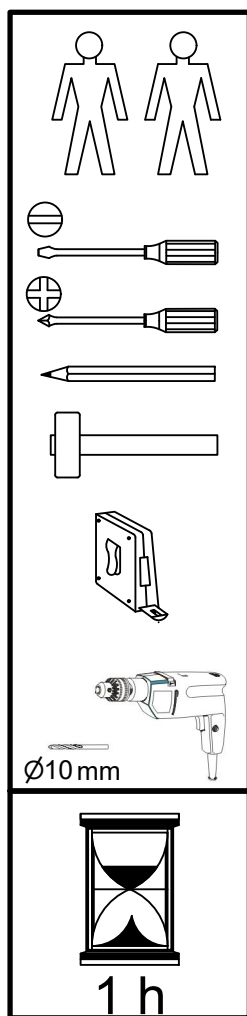
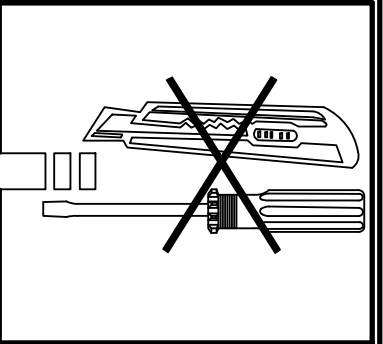
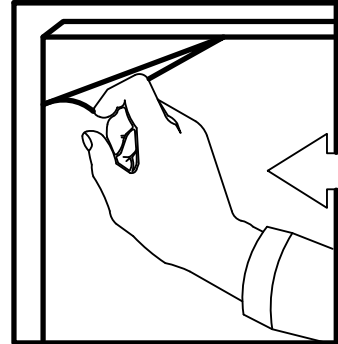
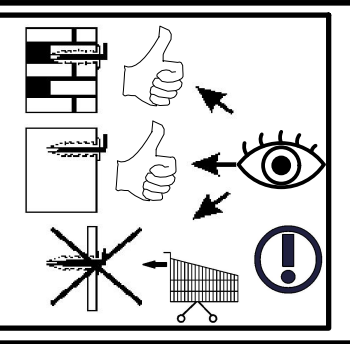
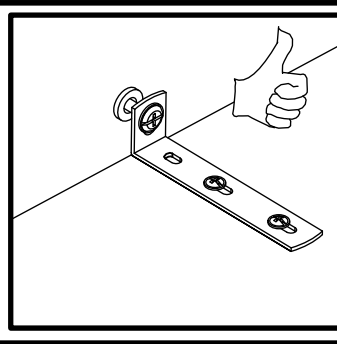
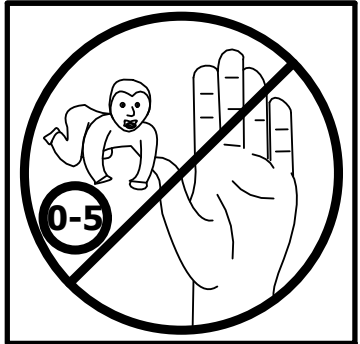
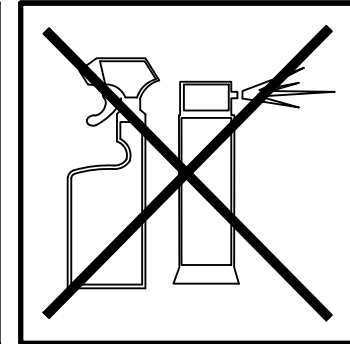
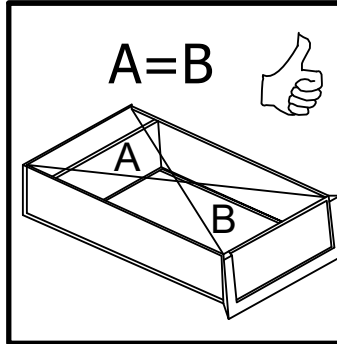
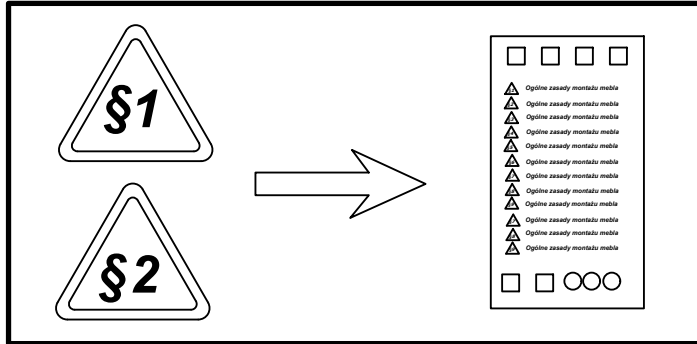
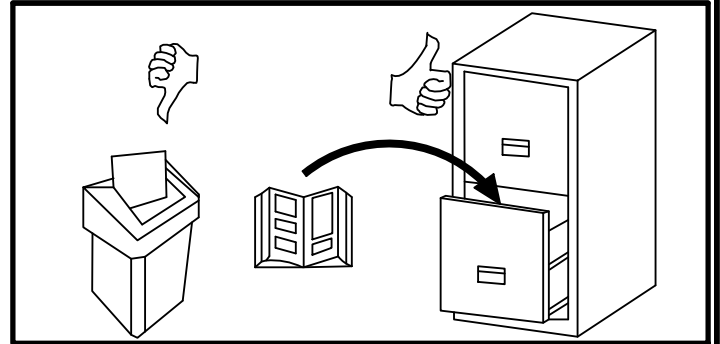
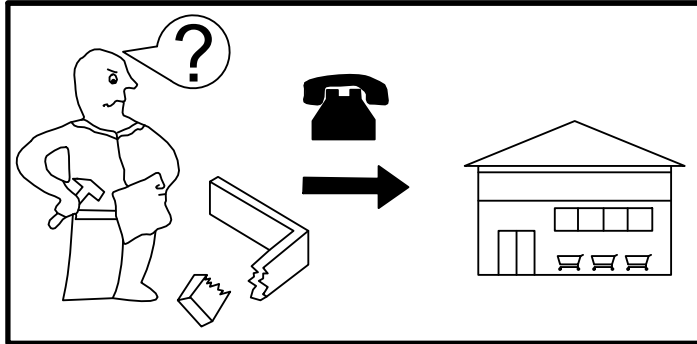
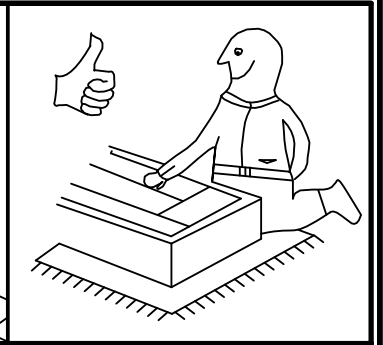
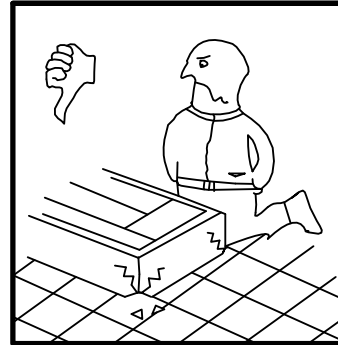
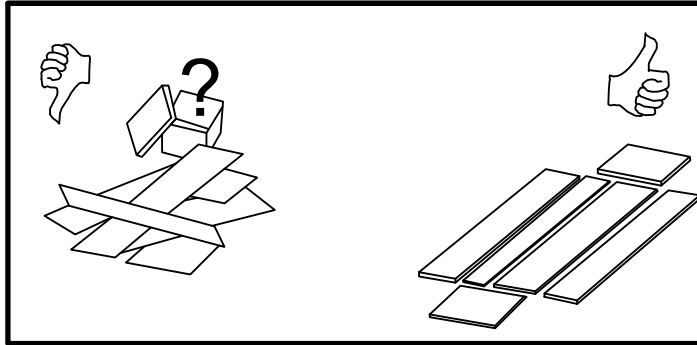
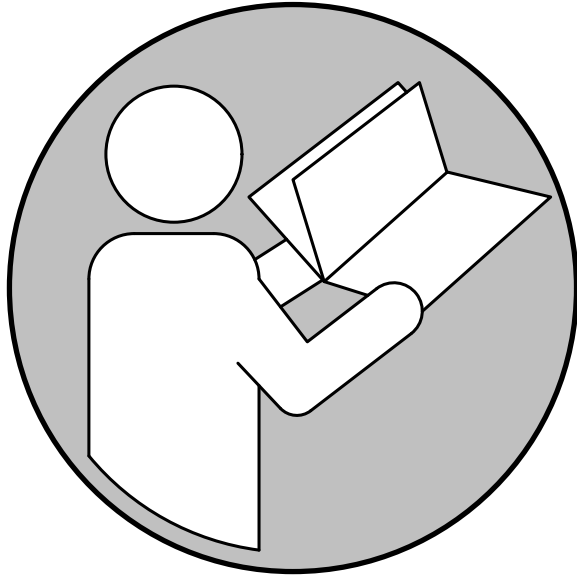
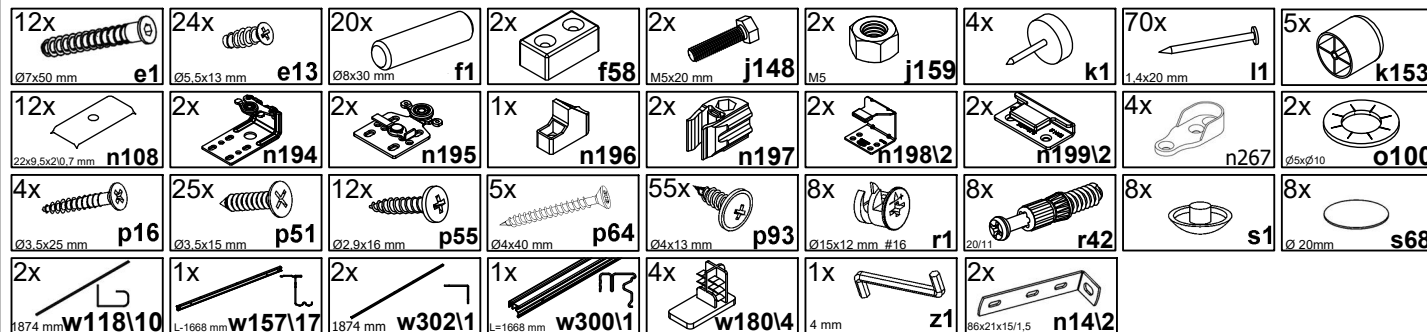


L158-SZF2D/170

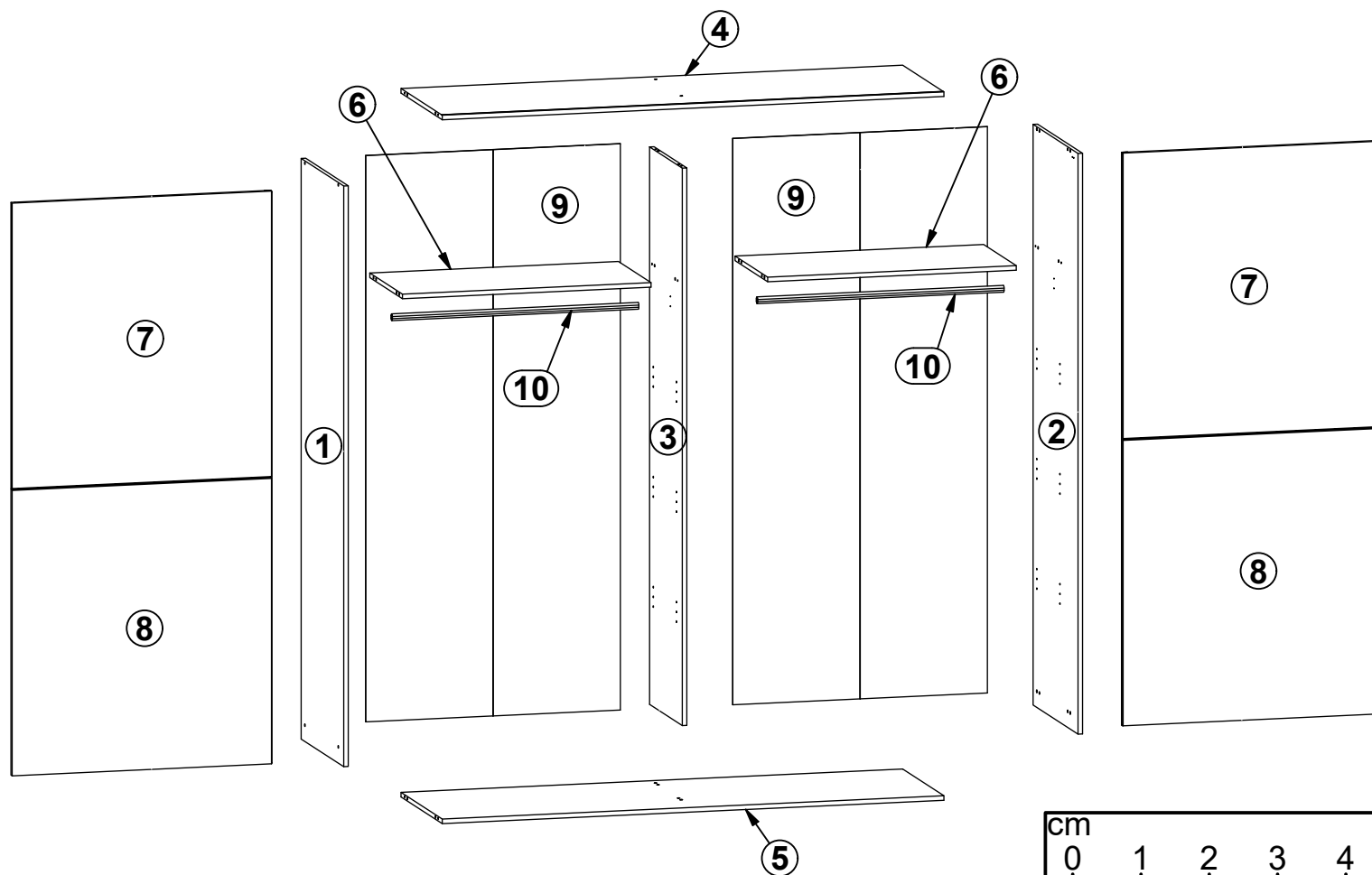


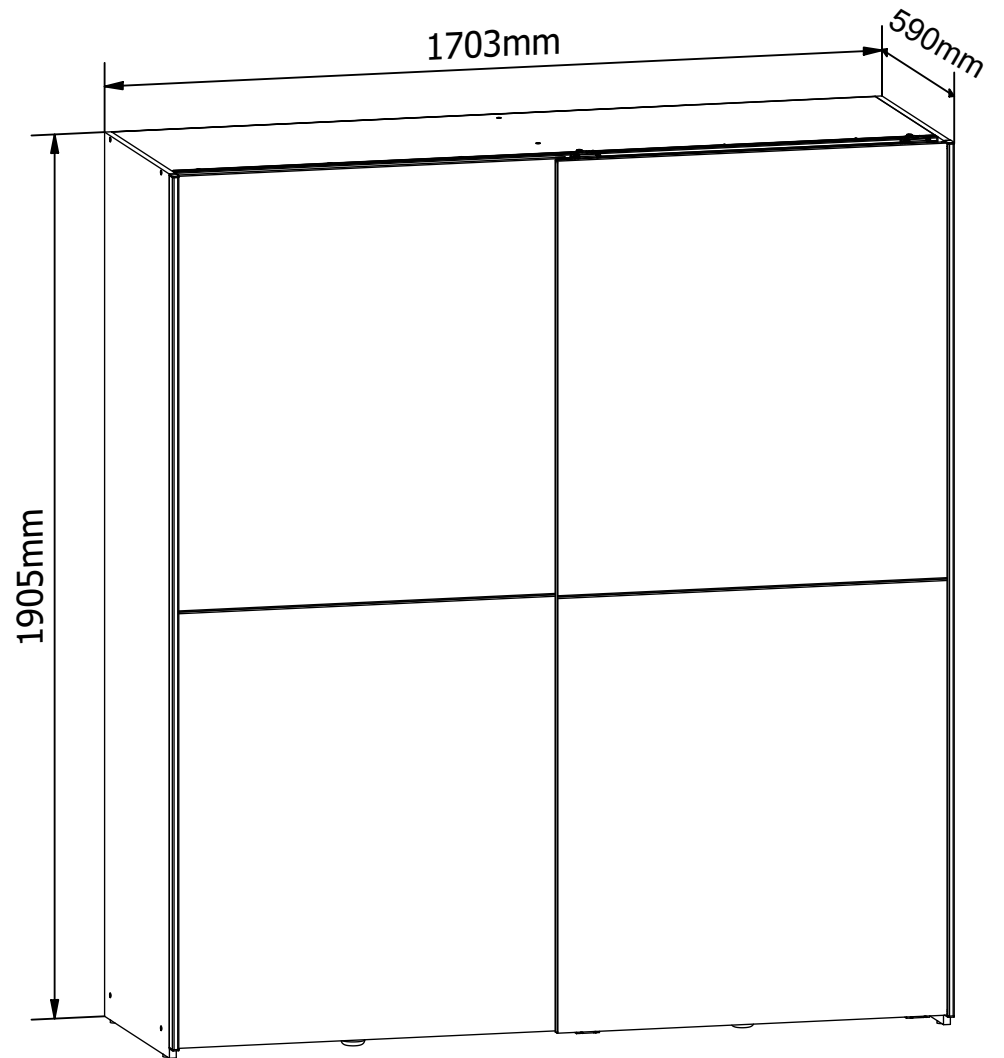
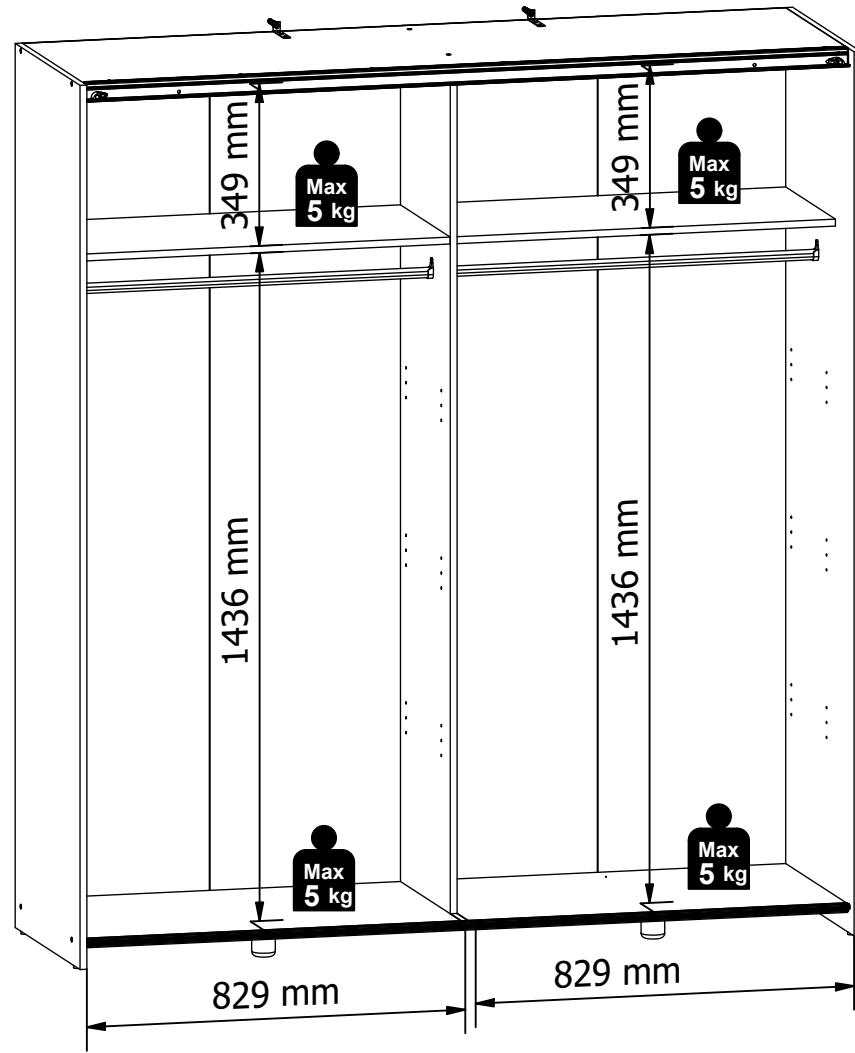


A L158-SZF2D/170

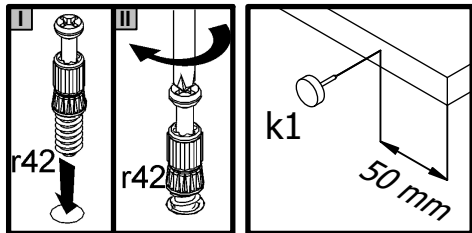
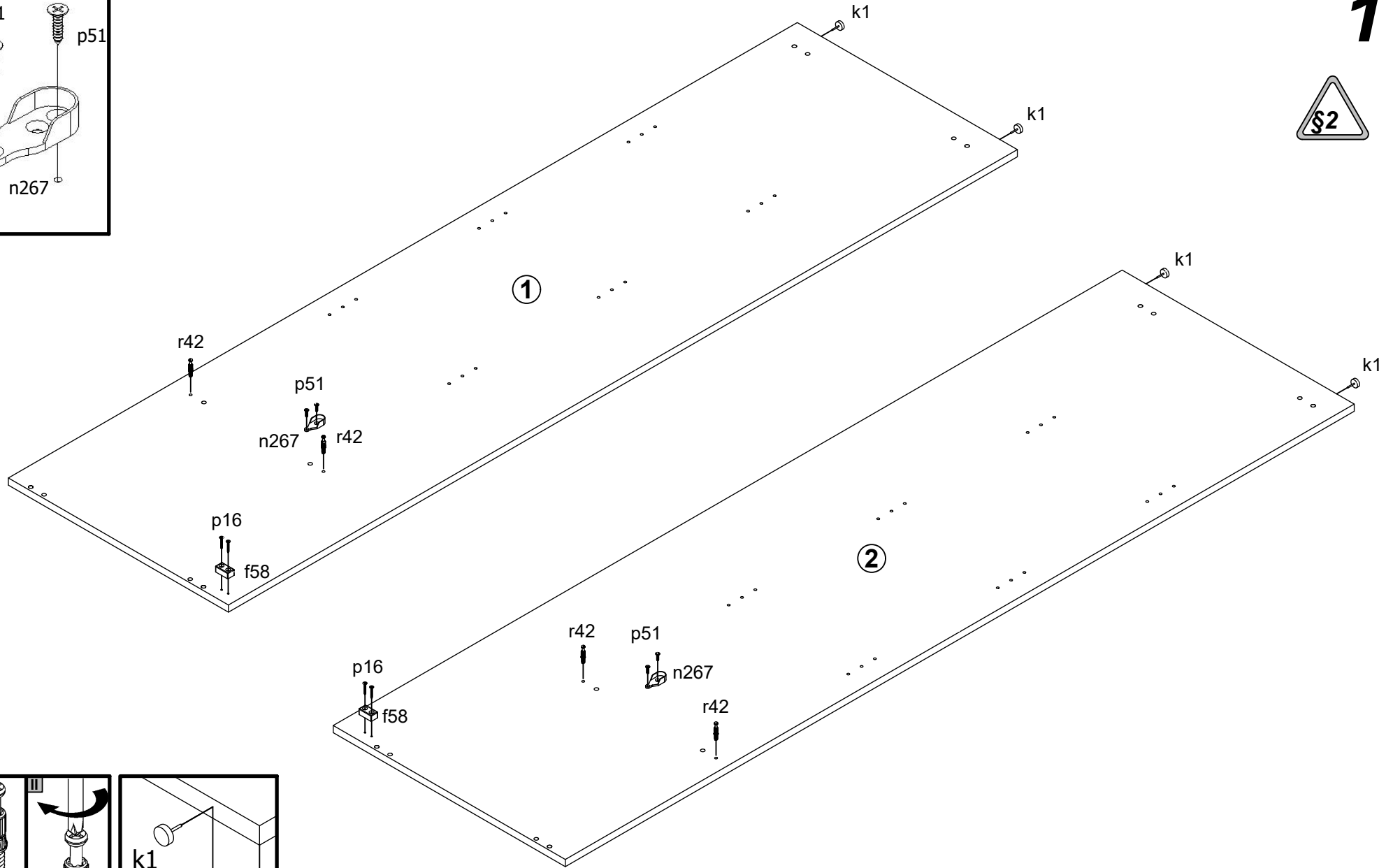
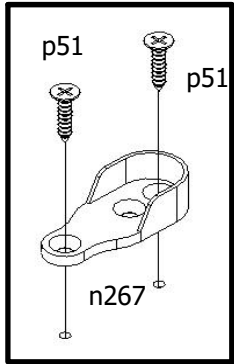


A	B1	B2	C1	C2	C3	C4	D
1	F94-1001	-	1900	530	15	1	1/2
2	F94-1002	-	1900	559	15	1	1/2
3	F94-1003	-	1824	407	15	1	2/2
4	F94-3001	-	1673	513	15	1	1/2
5	F94-3002	-	1673	513	15	1	1/2
6	F94-3003	-	829	406	15	2	2/2
7	F94-7001	-	865	937	15	2	2/2
8	F94-7002	-	865	937	15	2	2/2
9	F94-9301	-	1853	849	2,5	2	1/2
10	dr-822	-	822	22	15	2	1/2

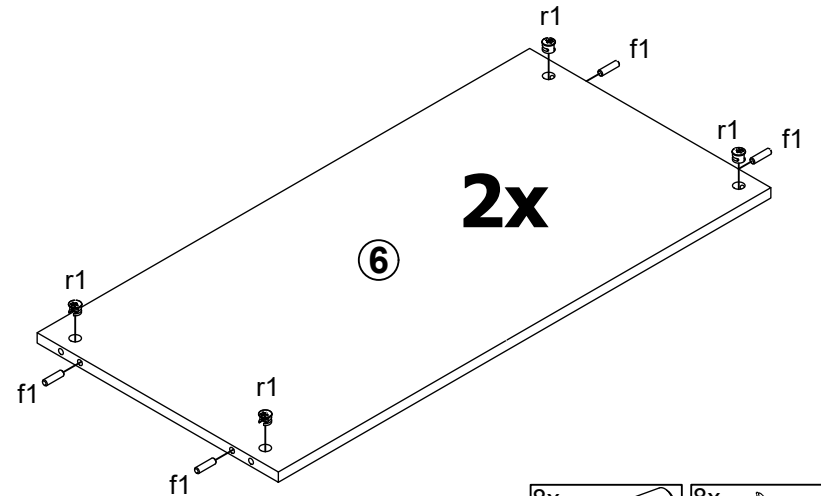
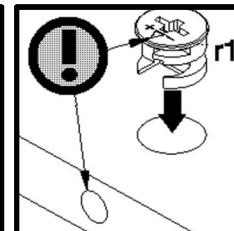
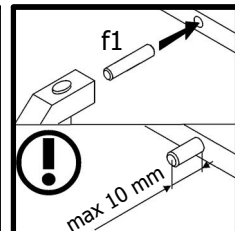
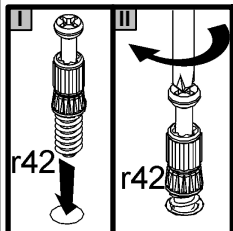
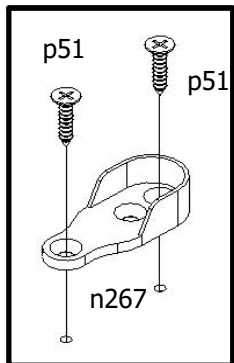
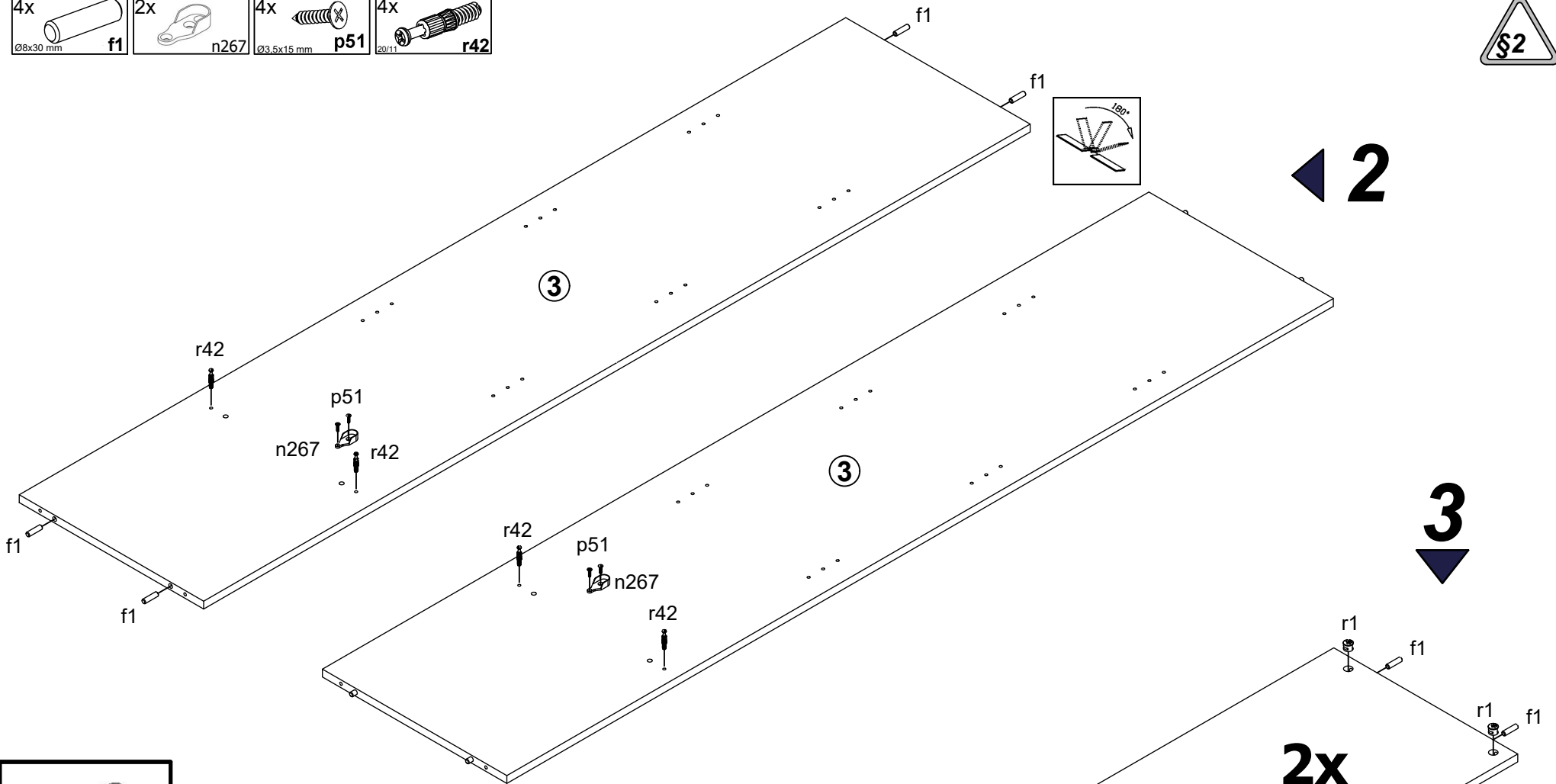
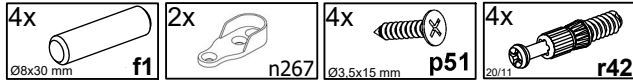


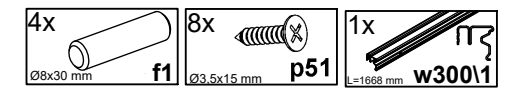
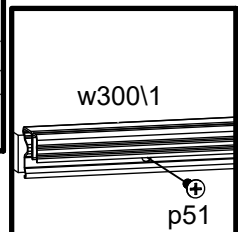
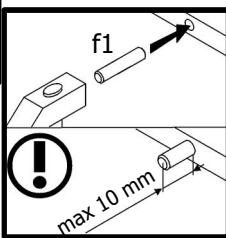
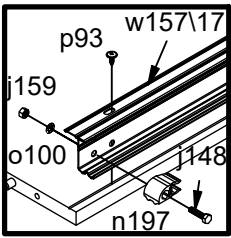
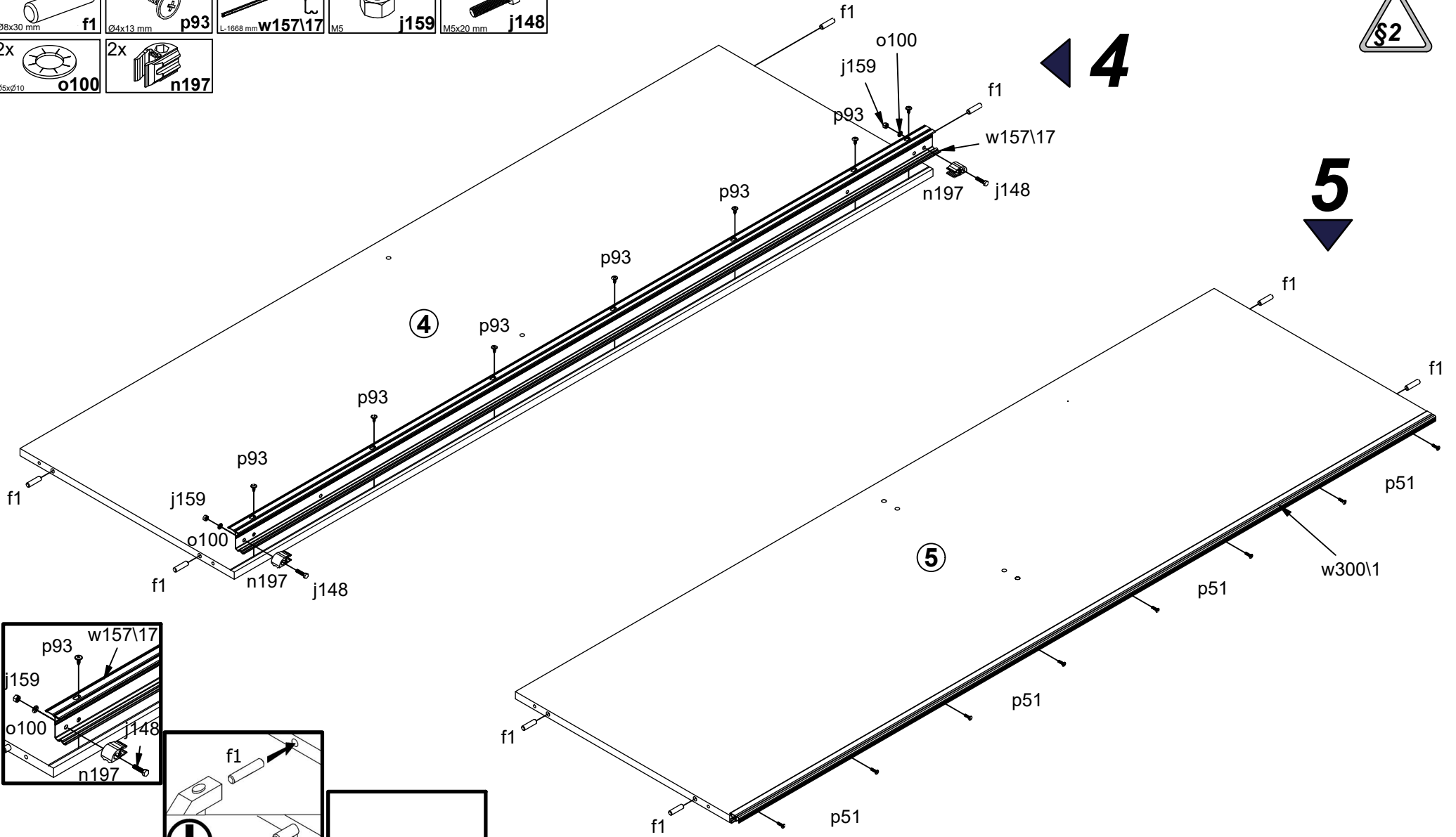
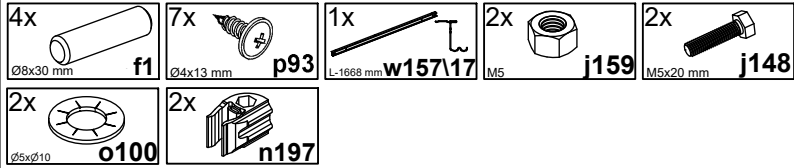


1

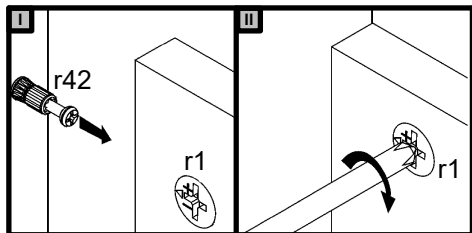
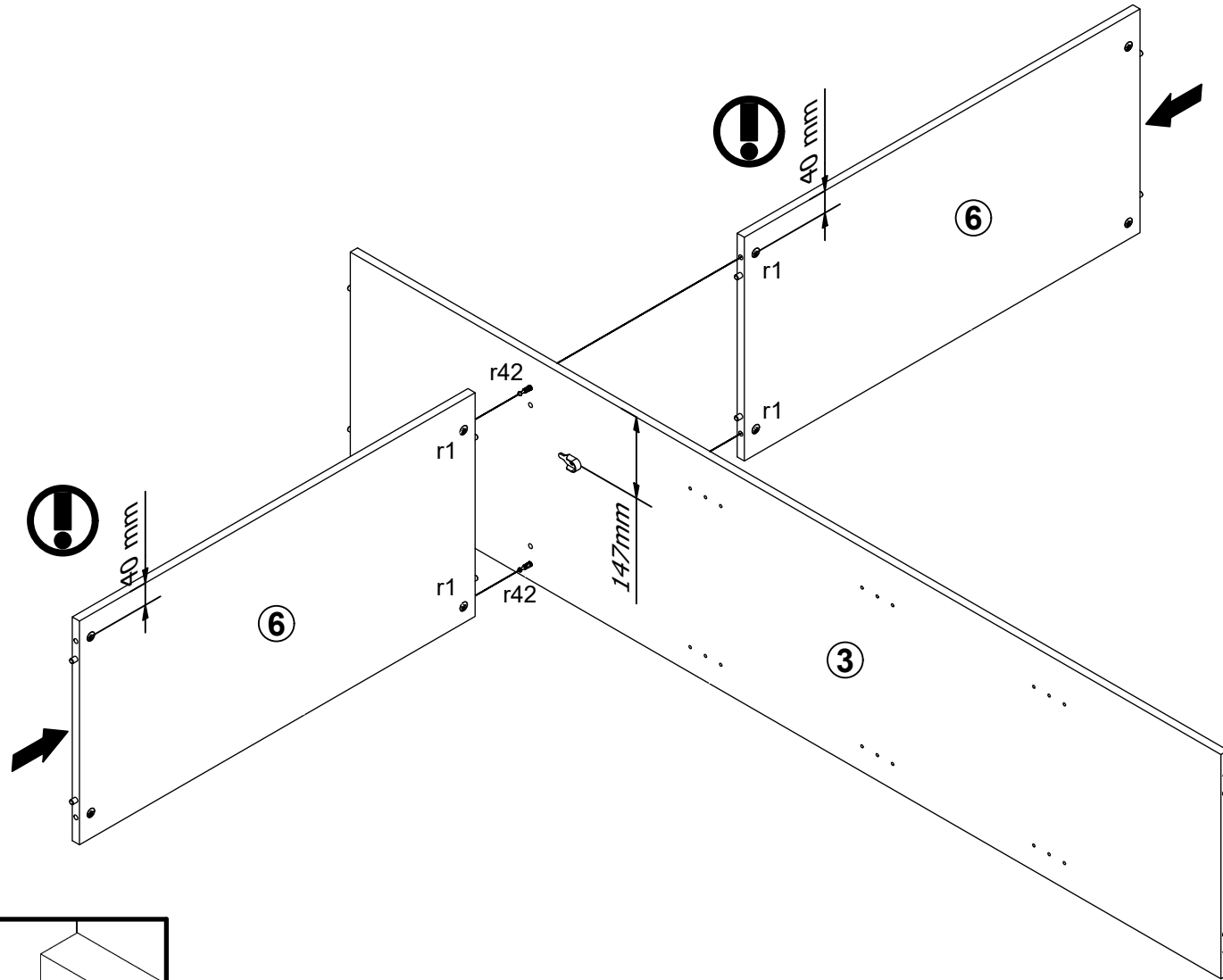


- 2x f58
- 4x k1
- 2x n267
- 4x p16 $\varnothing 3.5 \times 25 \text{ mm}$
- 4x p51 $\varnothing 3.5 \times 15 \text{ mm}$
- 4x r42

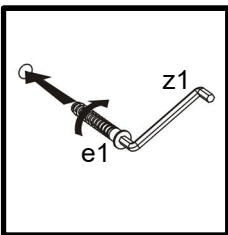
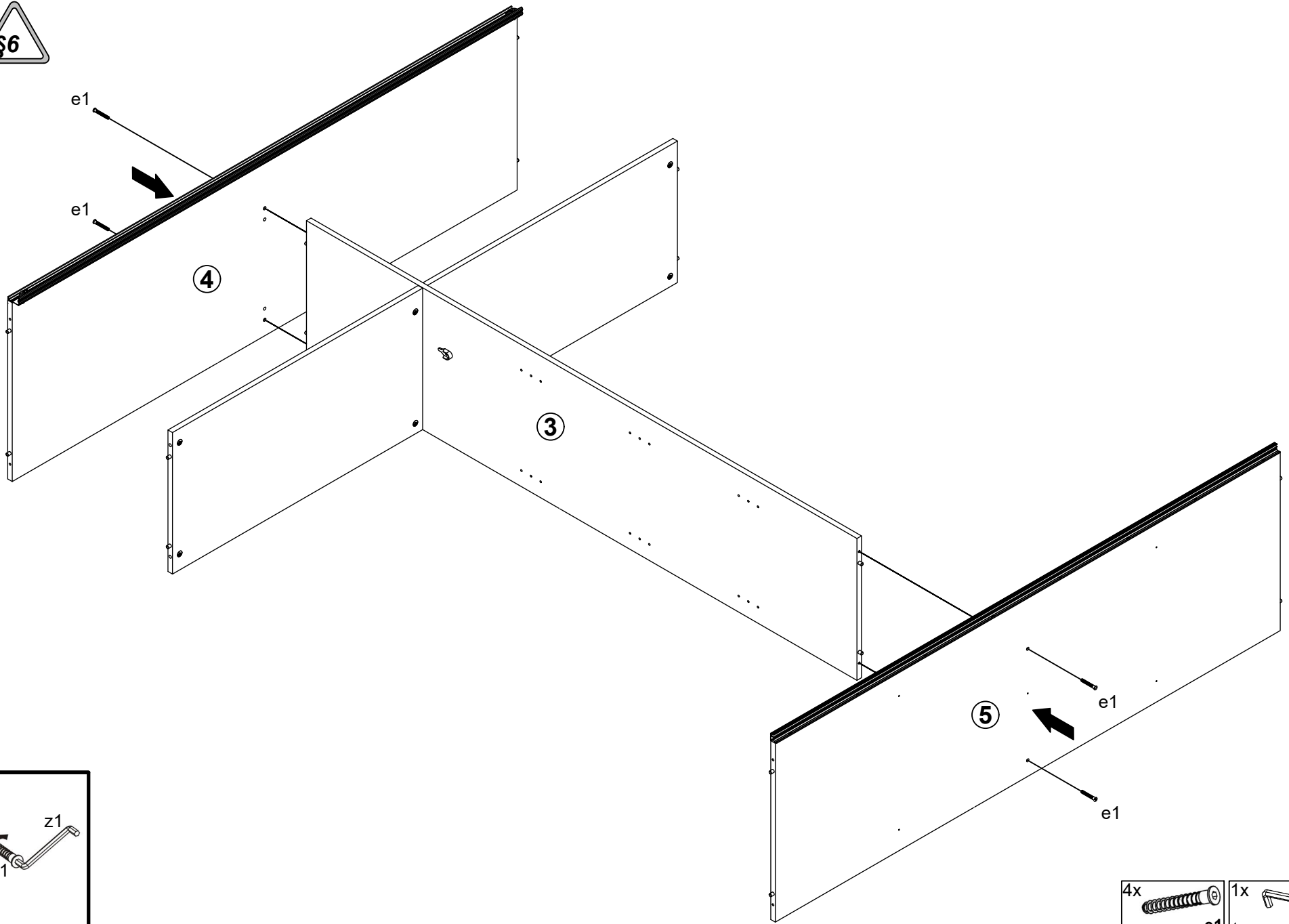






6 

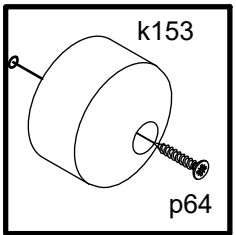
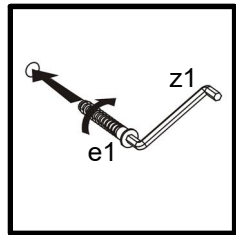
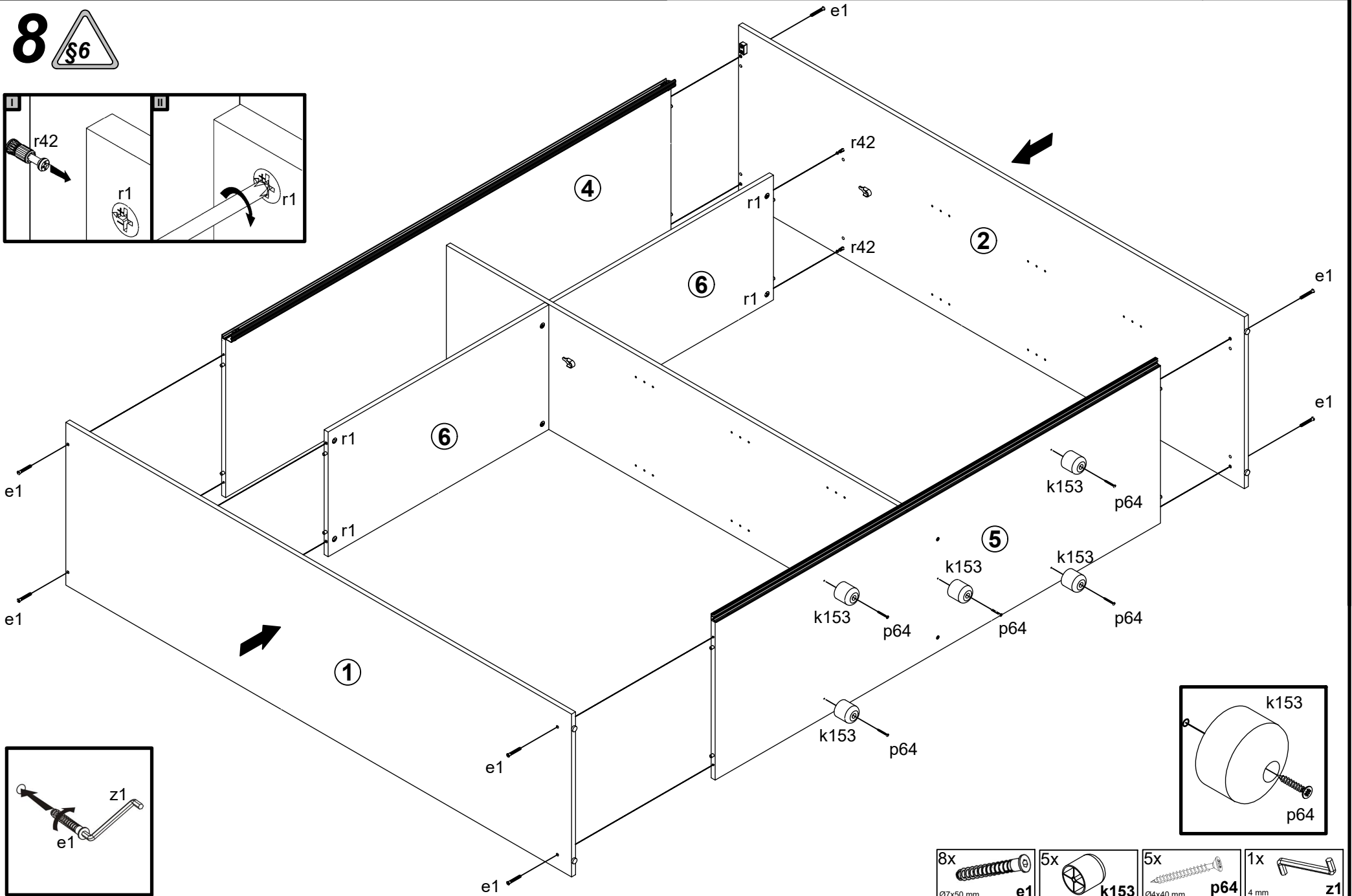
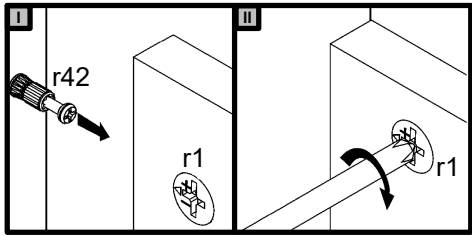




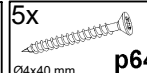

7 



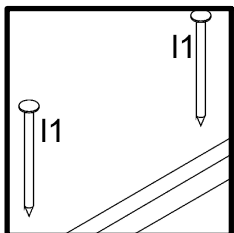
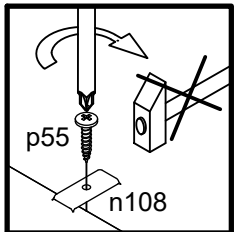
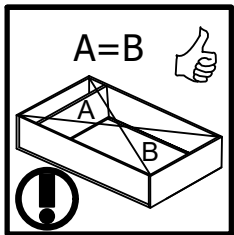
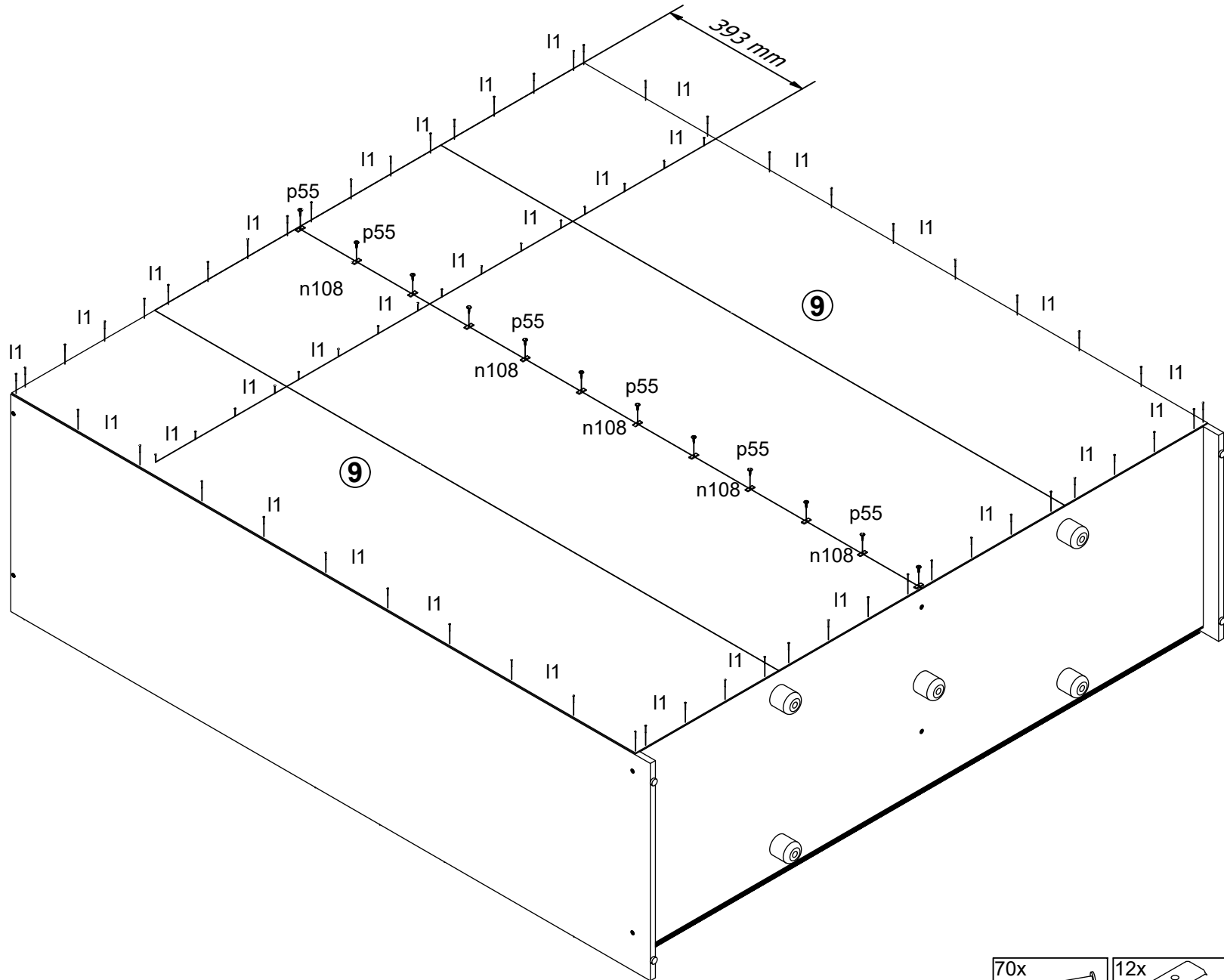
4x		1x	
	Ø7x50 mm	e1	4 mm z1




8 



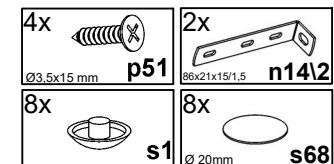
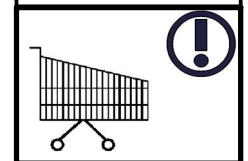
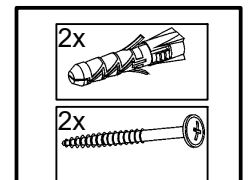
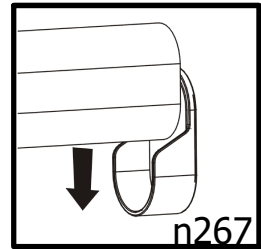
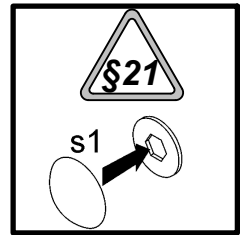
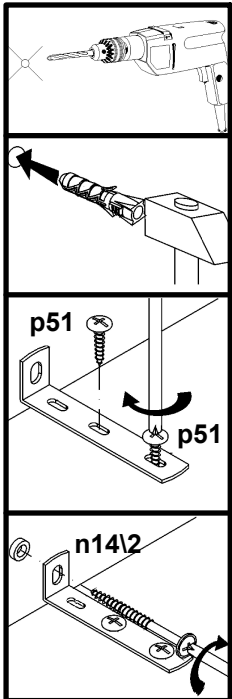
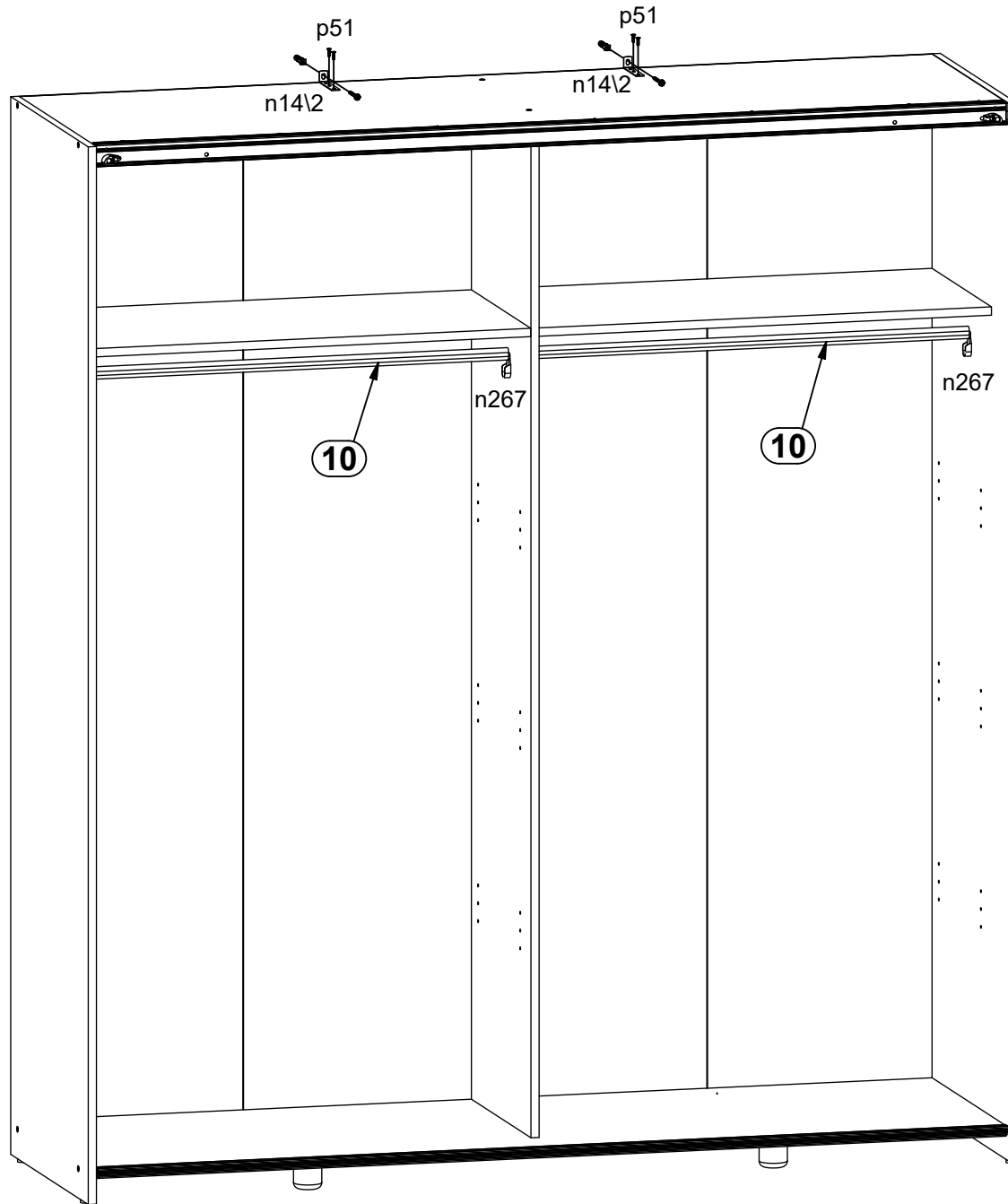
- | | | | |
|--|--|---|--|
| 8x

Ø7x50 mm e1 | 5x

Ø7x50 mm k153 | 5x

Ø4x40 mm p64 | 1x

4 mm z1 |
|--|--|---|--|

9 

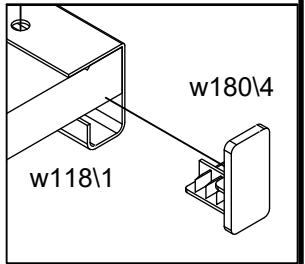
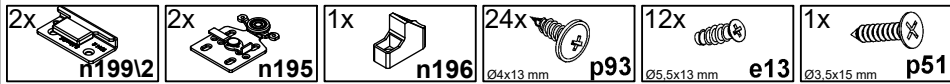
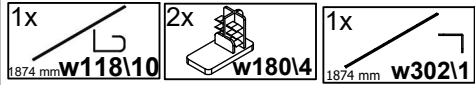
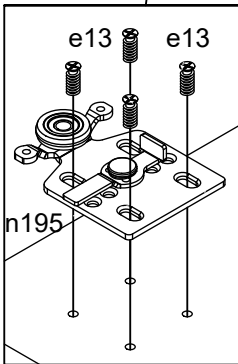
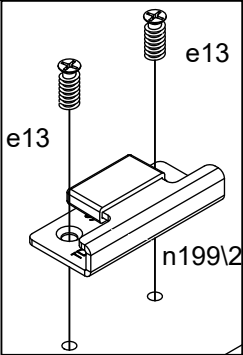
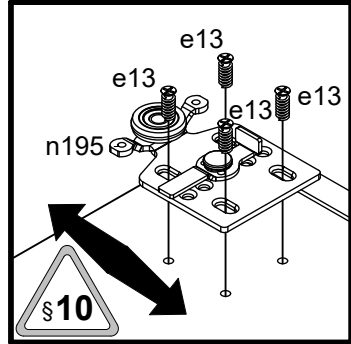
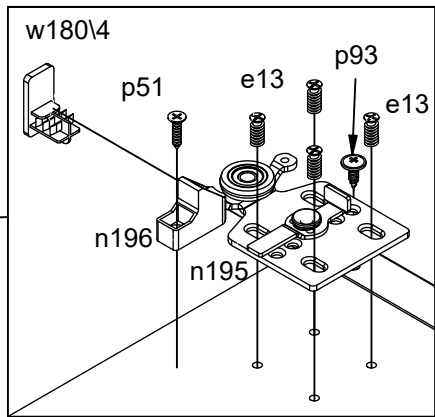
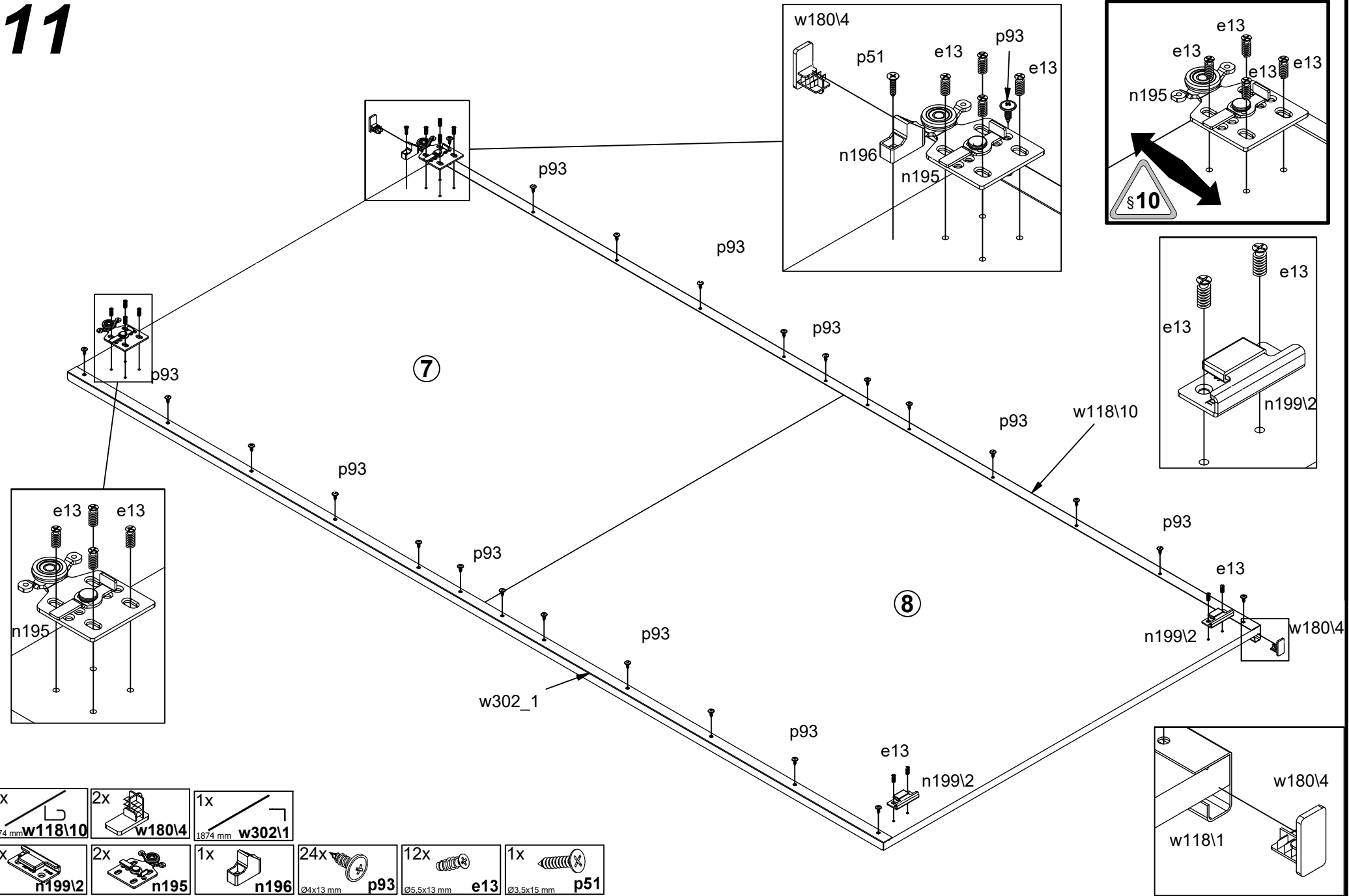


 70x 1,4x20 mm l1	 12x 22x9,5x210,7 mm n108	 12x Ø2,9x16 mm p55
--	--	--

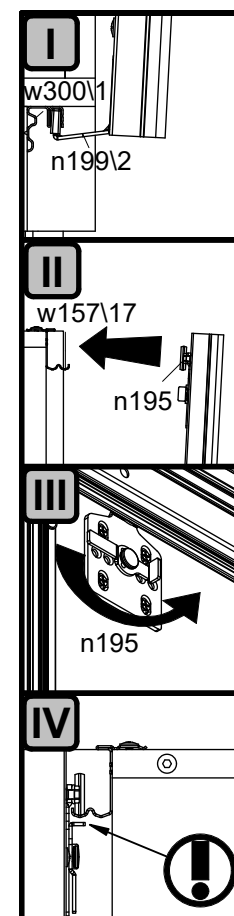
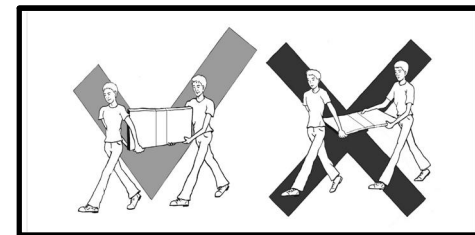
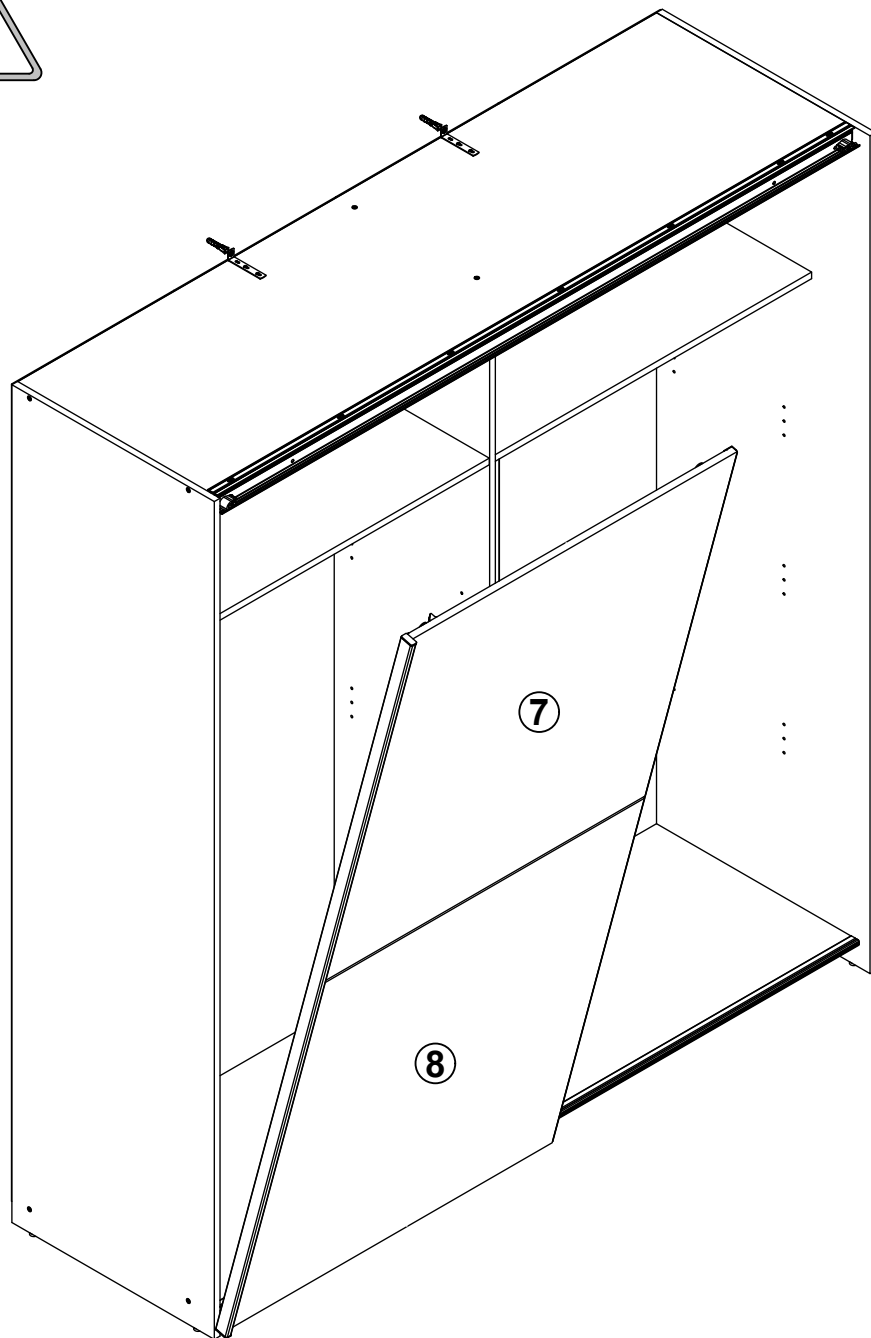
10



11

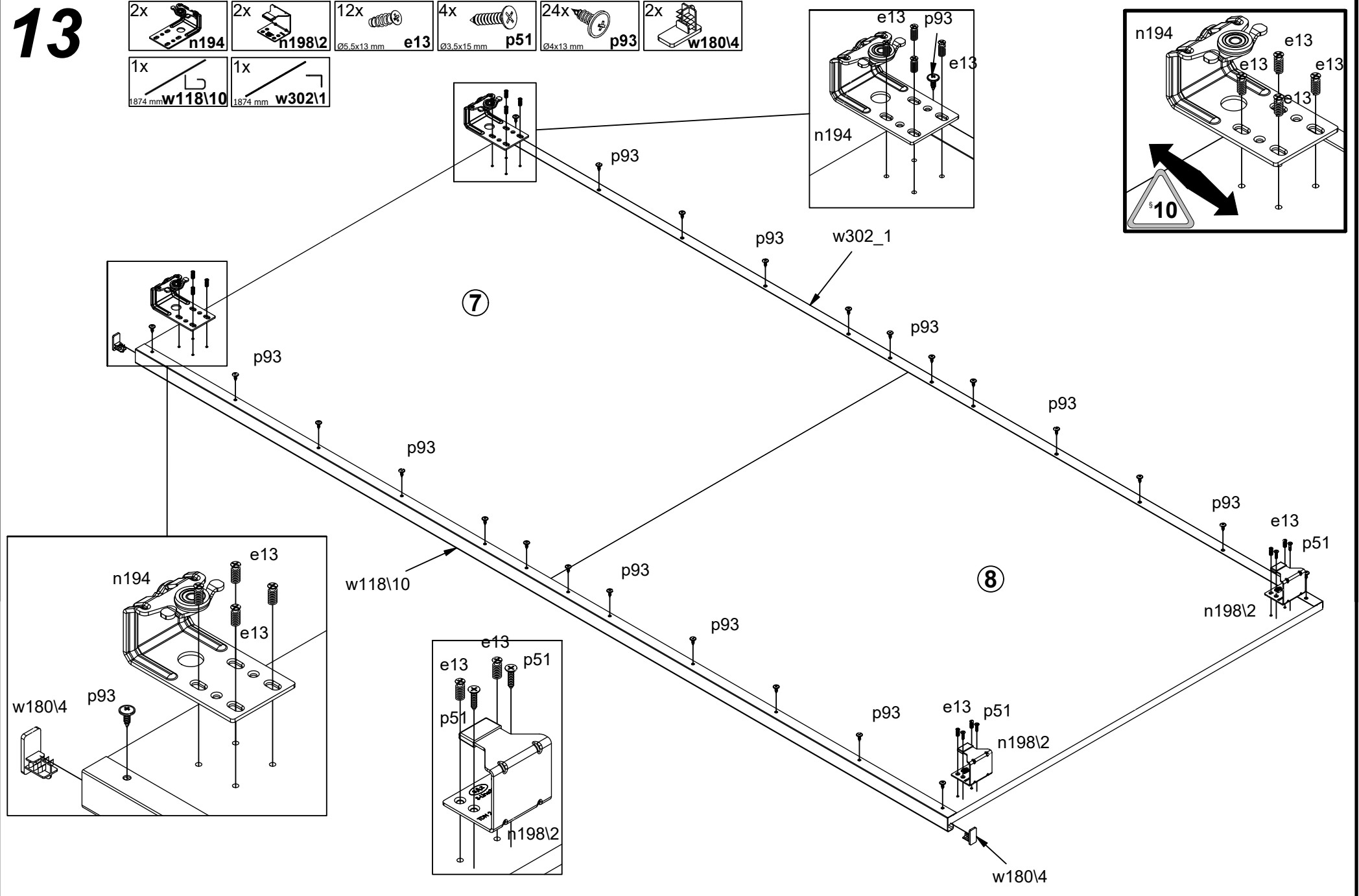


12 



13

- 2x n194
- 2x n198\2
- 12x e13 (Ø5,5x13 mm)
- 4x p51 (Ø3,5x15 mm)
- 24x p93 (Ø4x13 mm)
- 2x w180\4
- 1x w118\10 (1874 mm)
- 1x w302\1 (1874 mm)



14 

