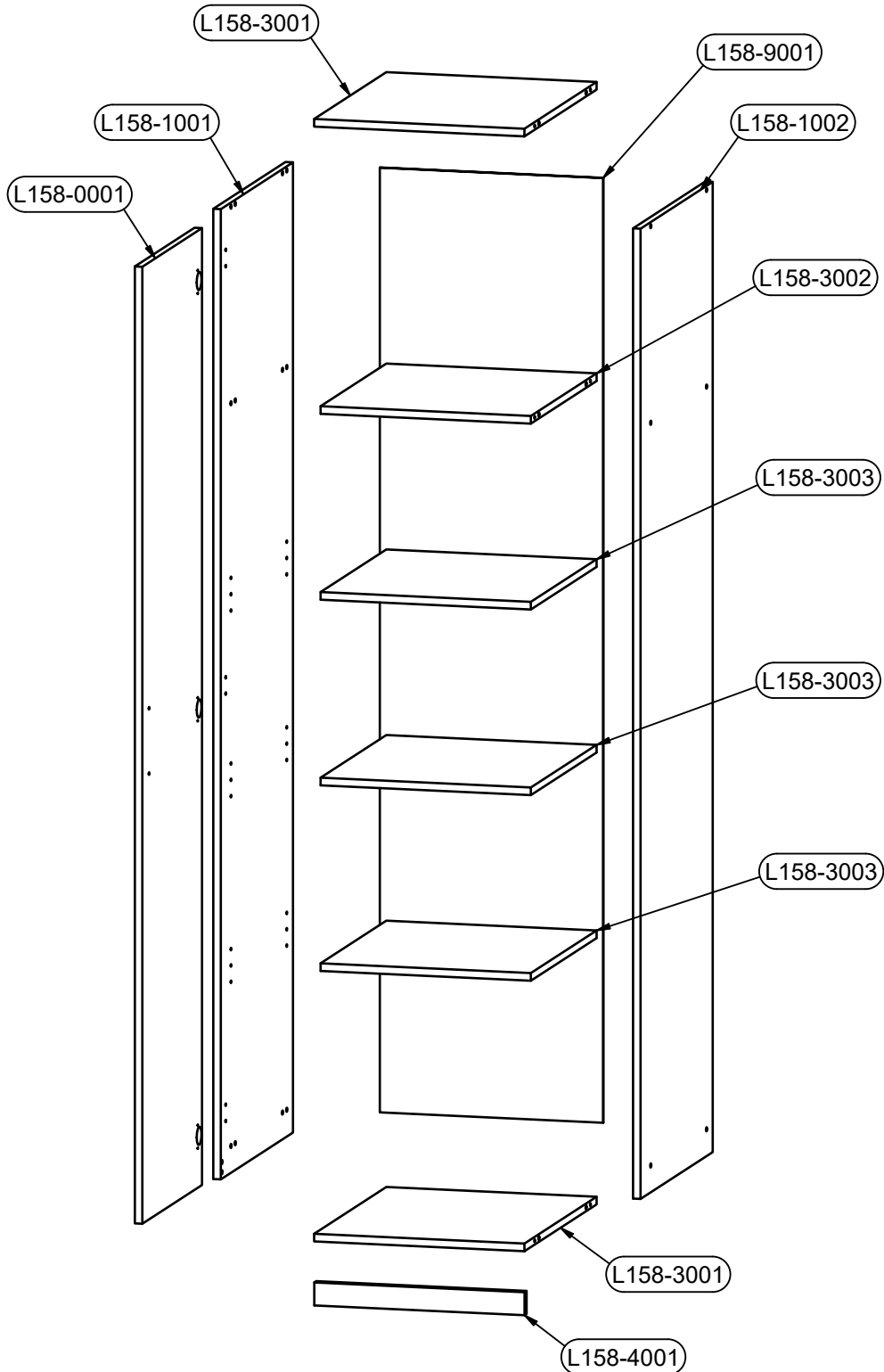
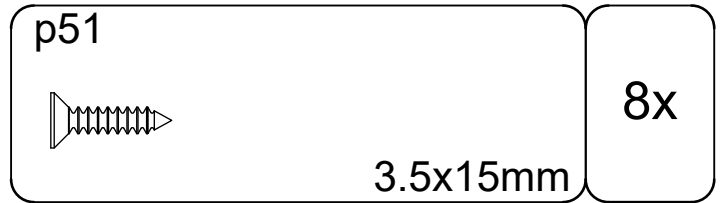
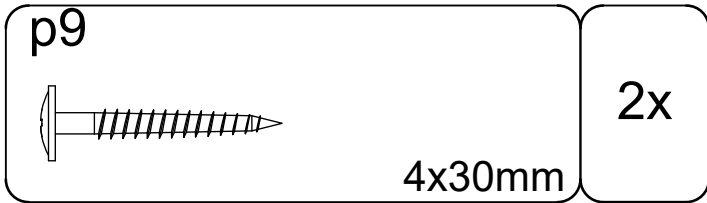
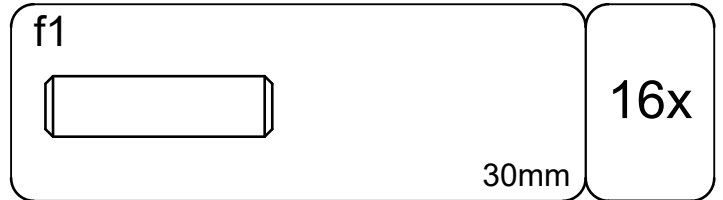
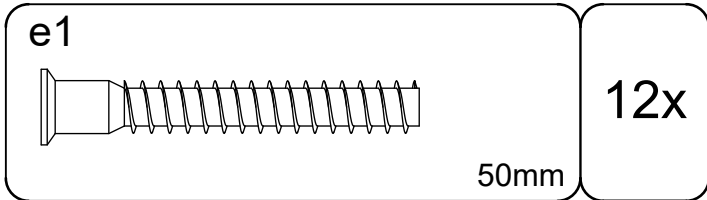
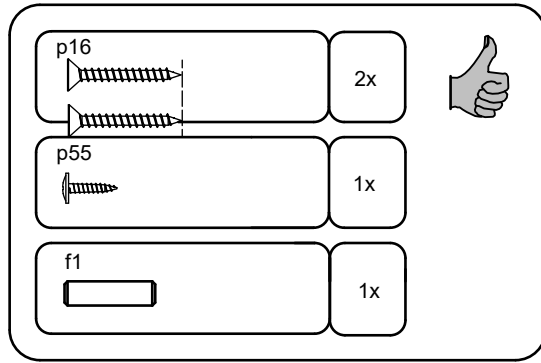
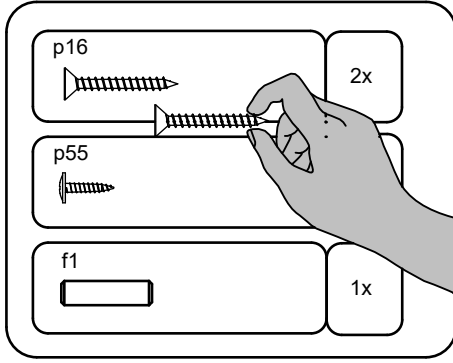


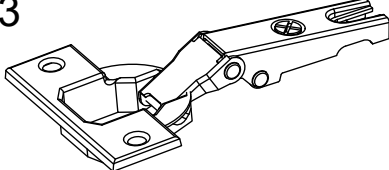
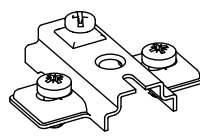
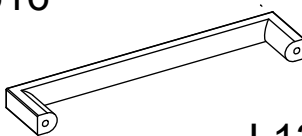
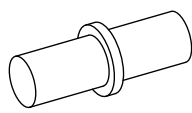
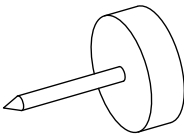
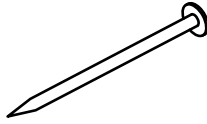
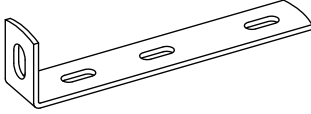
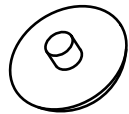
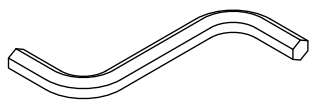
B1	B2	C1	C2	C3	C4	D
L158-0001	-1	1874	445	15	1	1/2
L158-1001	-1	1900	538	15	1	2/2
L158-1002	-1	1900	538	15	1	2/2
L158-3001	-1	420	538	15	2	1/2
L158-3002	-1	420	490	15	1	1/2
L158-3003	-1	420	490	15	3	1/2
L158-4001	-	420	45	15	1	1/2
L158-9001	-	1850	446	2,5	1	2/2

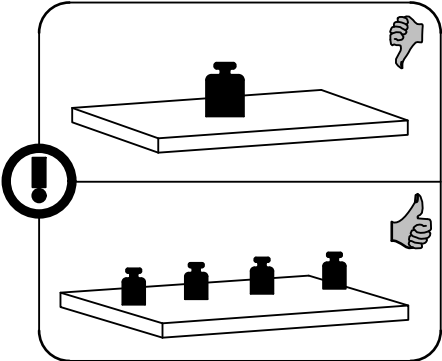
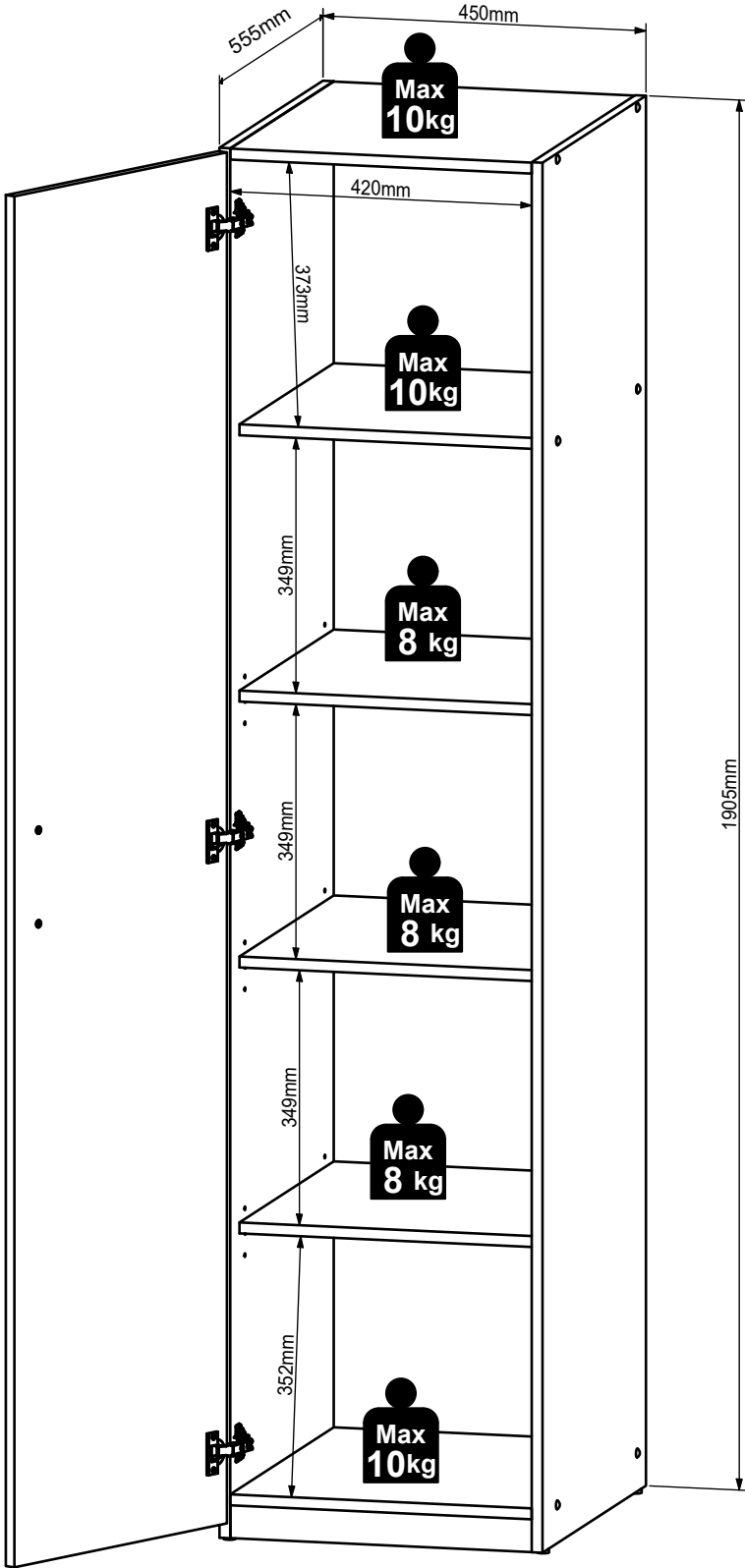


1:1

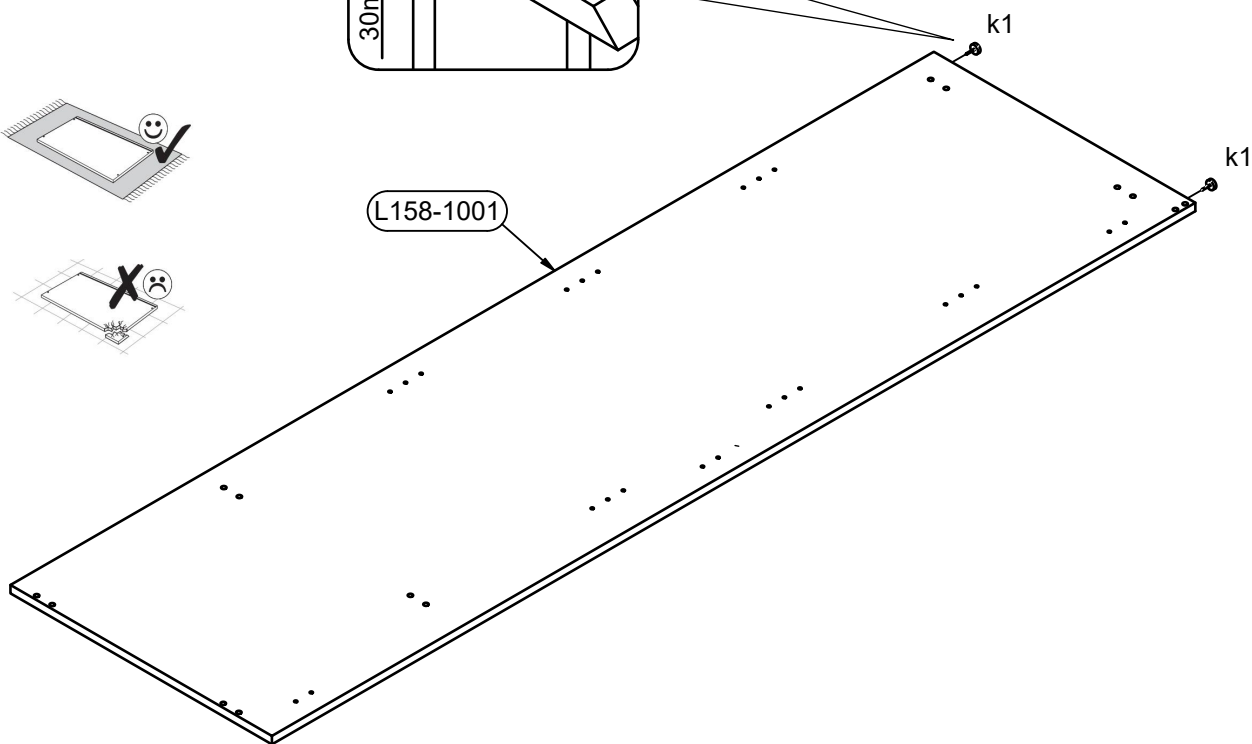
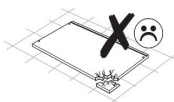
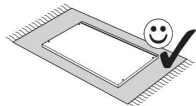
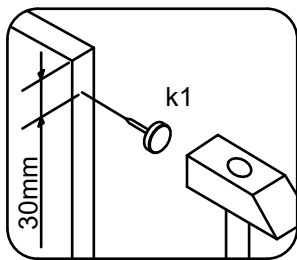


~~1:1~~

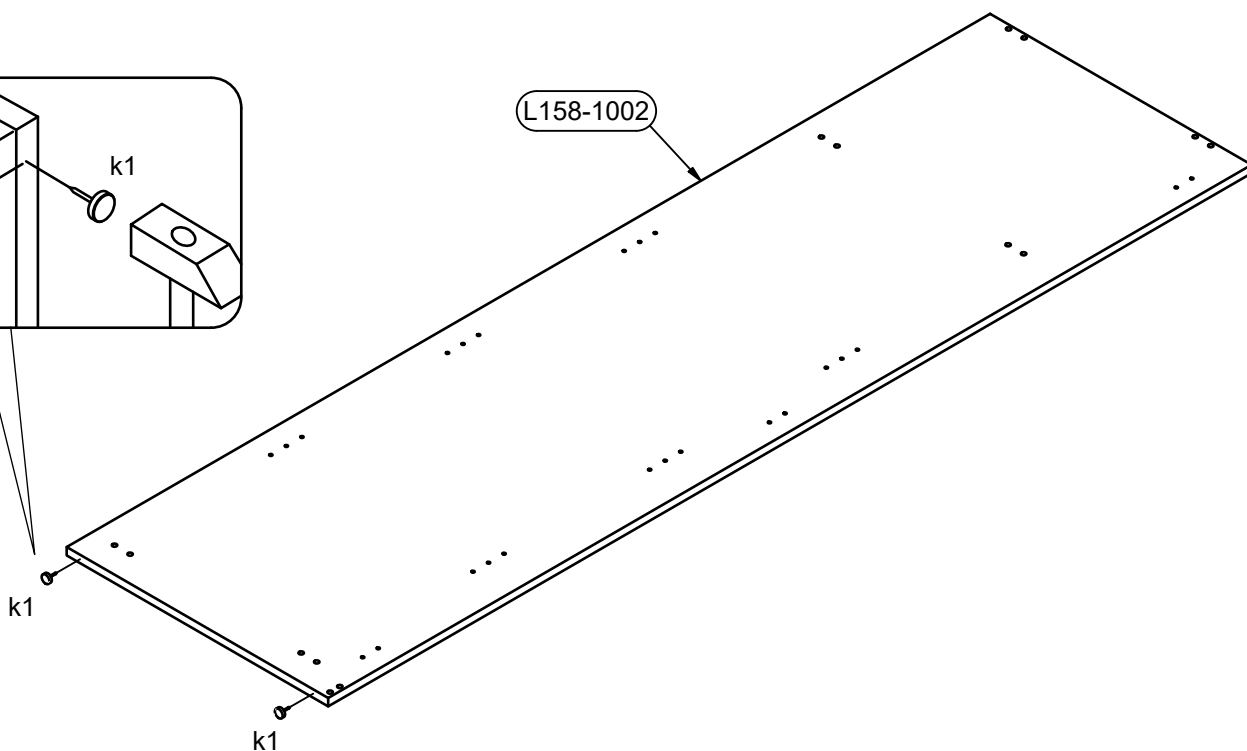
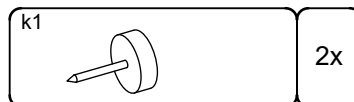
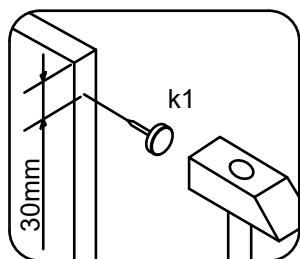
<p>a83</p> 	<p>3x</p>	<p>b42</p> 	<p>3x</p>
<p>c616</p>  <p>L136/128mm</p>	<p>1x</p>	<p>d1</p>  <p>fi5mm</p>	<p>12x</p>
<p>k1</p> 	<p>4x</p>	<p>l1</p> 	<p>47x</p>
<p>n14\2</p> 	<p>1x</p>	<p>s1</p>  <p>Ø12mm</p>	<p>12x</p>
		<p>z1</p>  <p>4mm</p>	<p>1x</p>



1 §2



2 §2



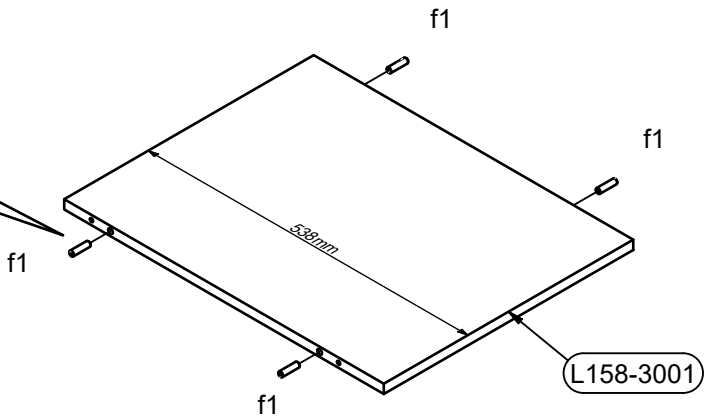
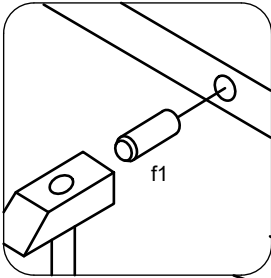
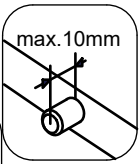
A

L158-REG1D

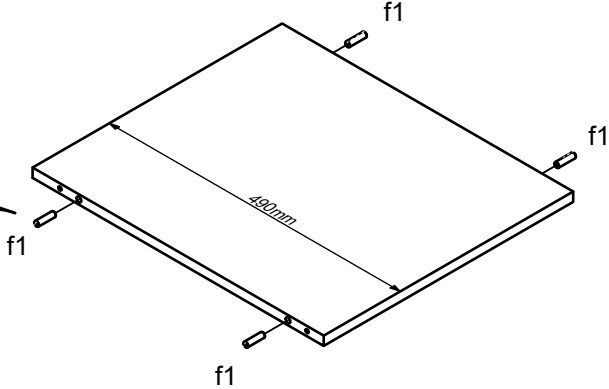
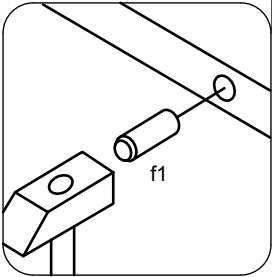
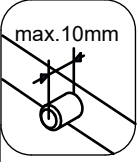
3 



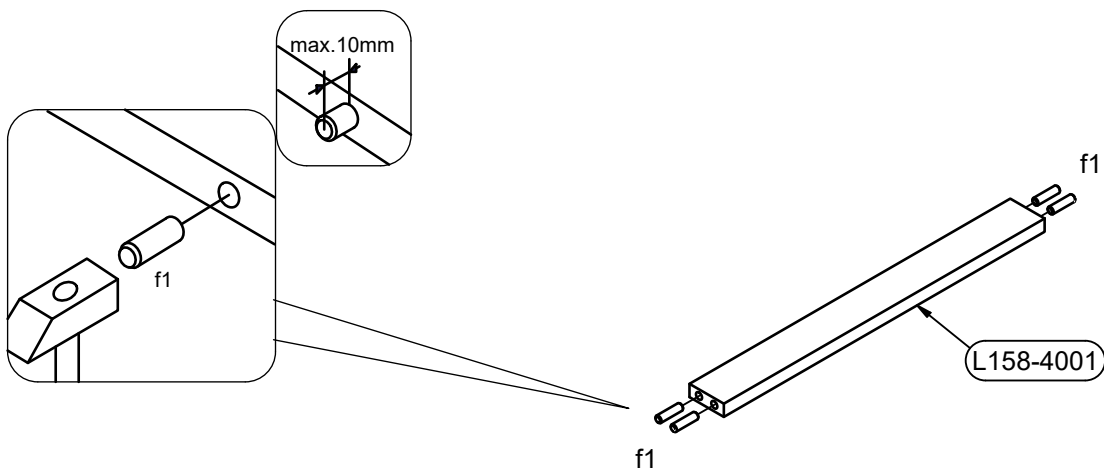
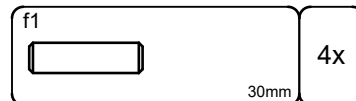
2x



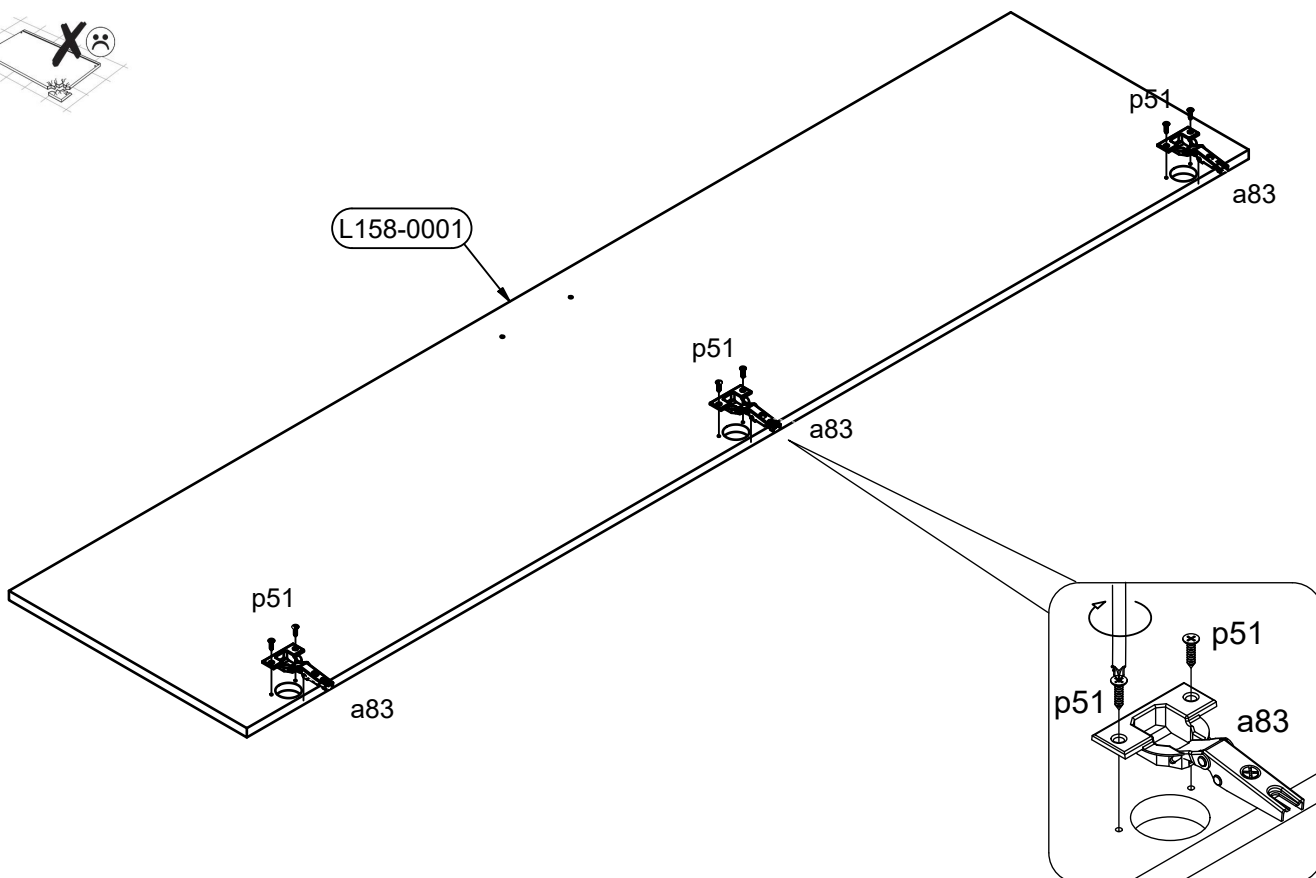
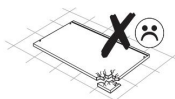
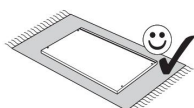
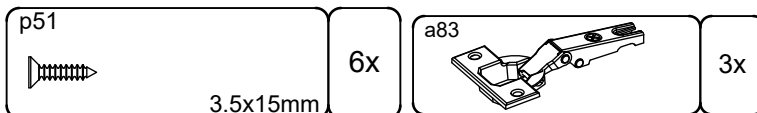
4 

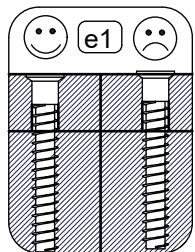
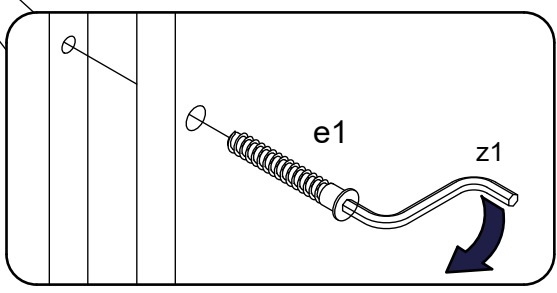
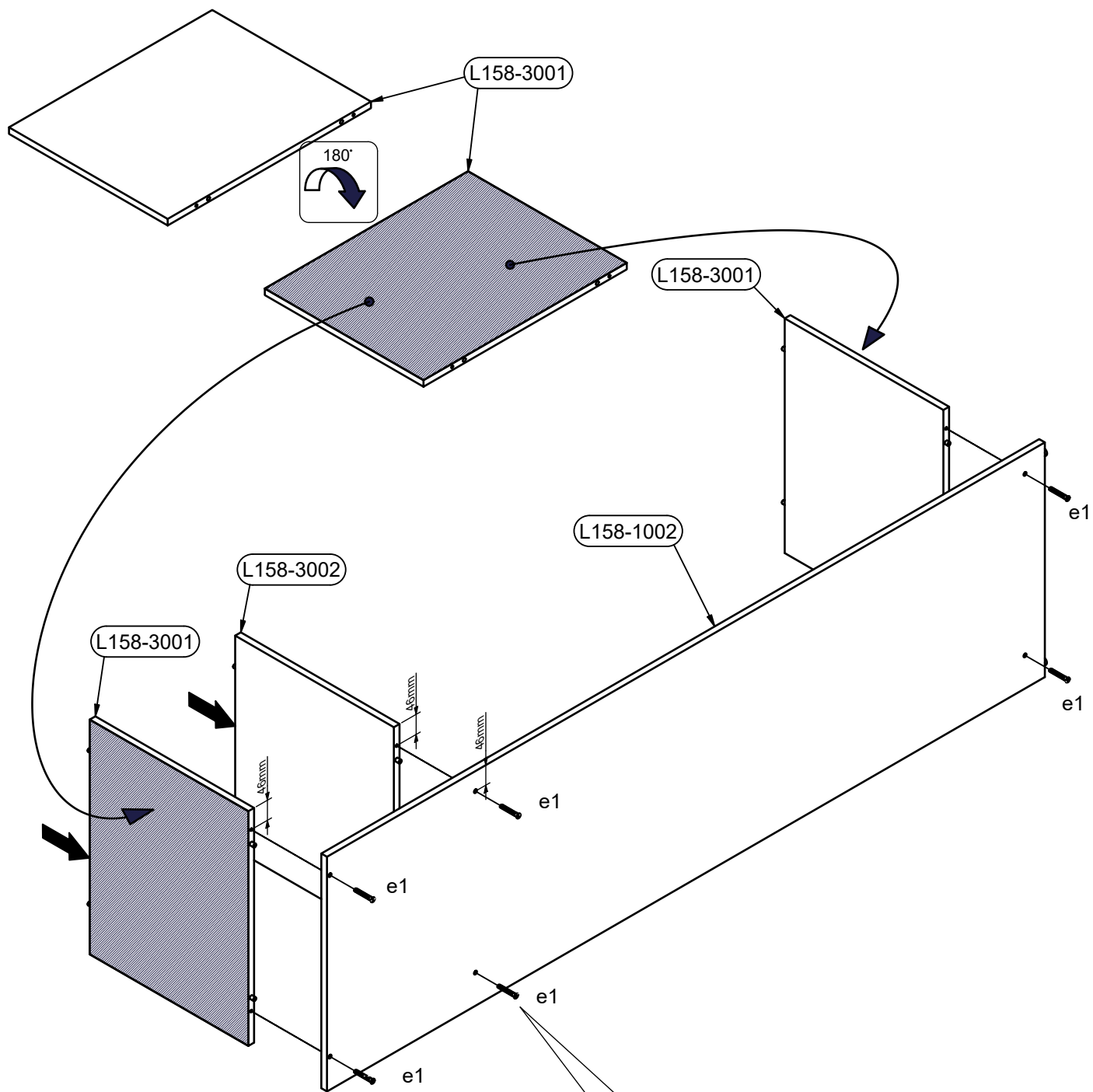
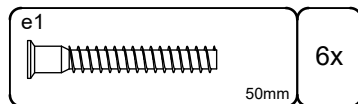


5

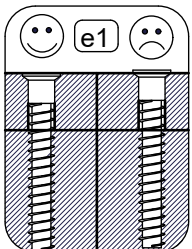
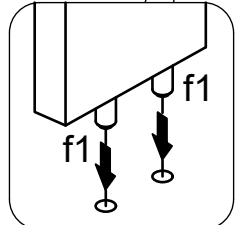
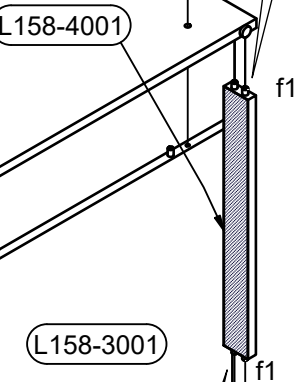
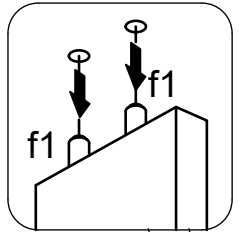
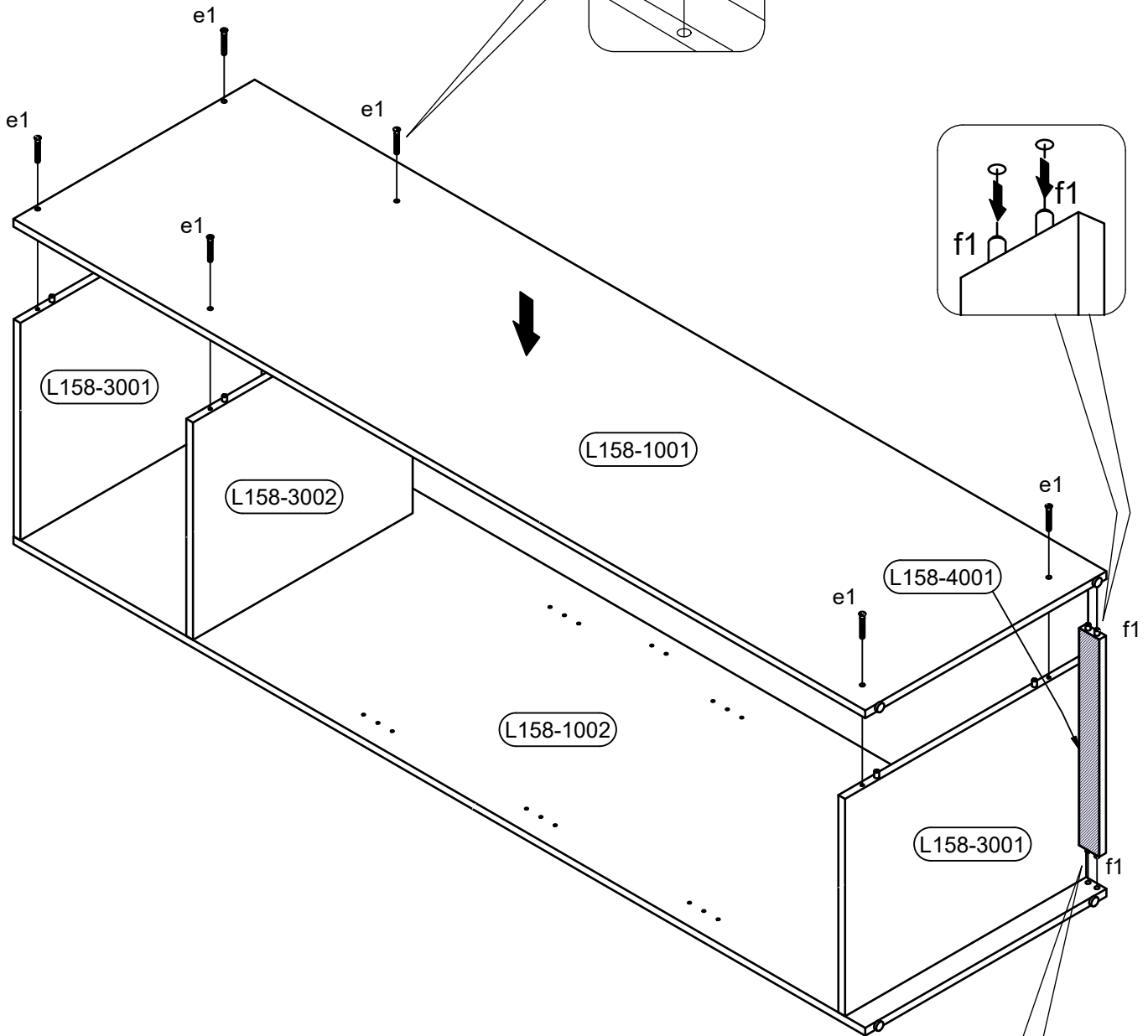
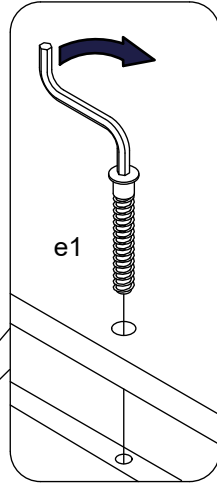
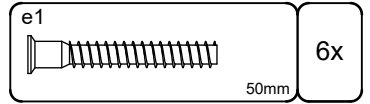


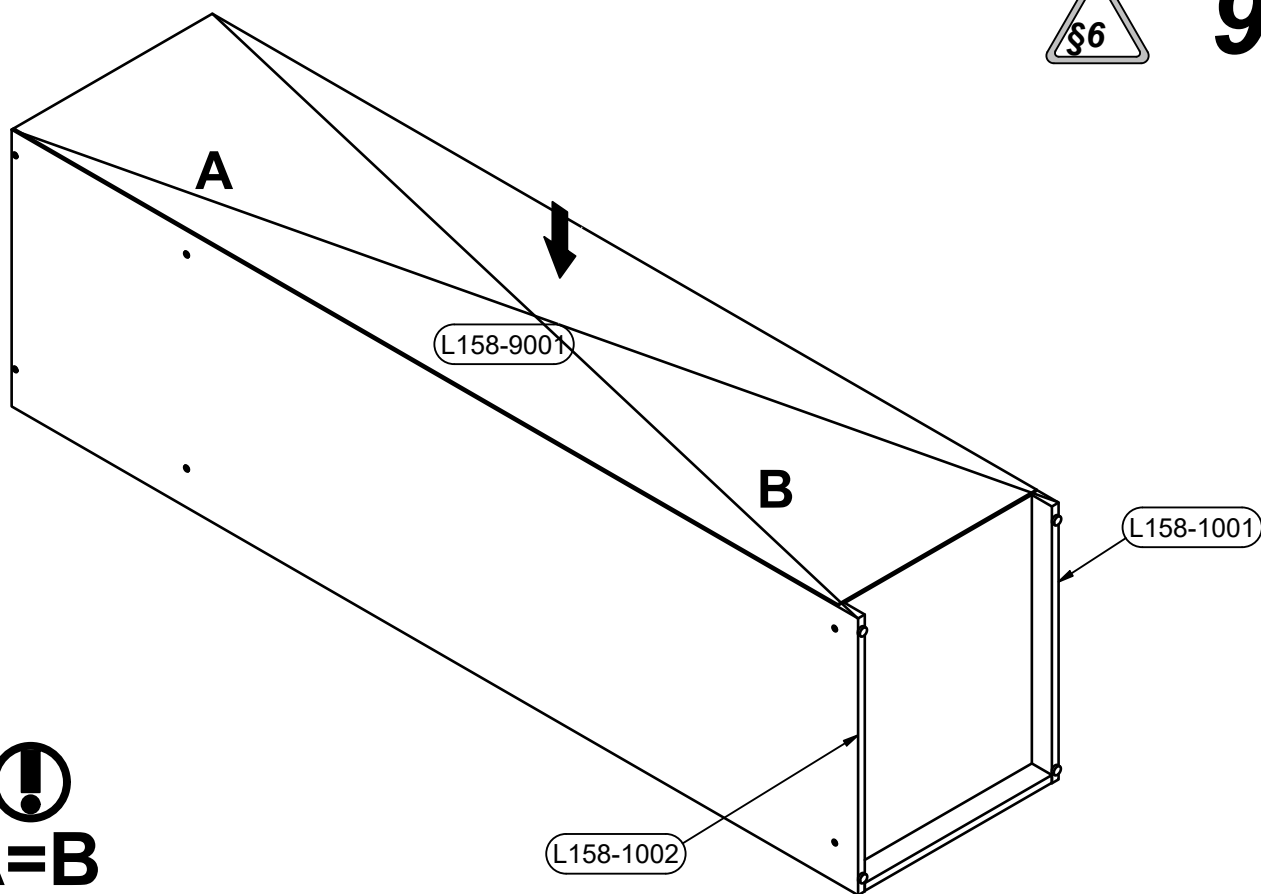
6





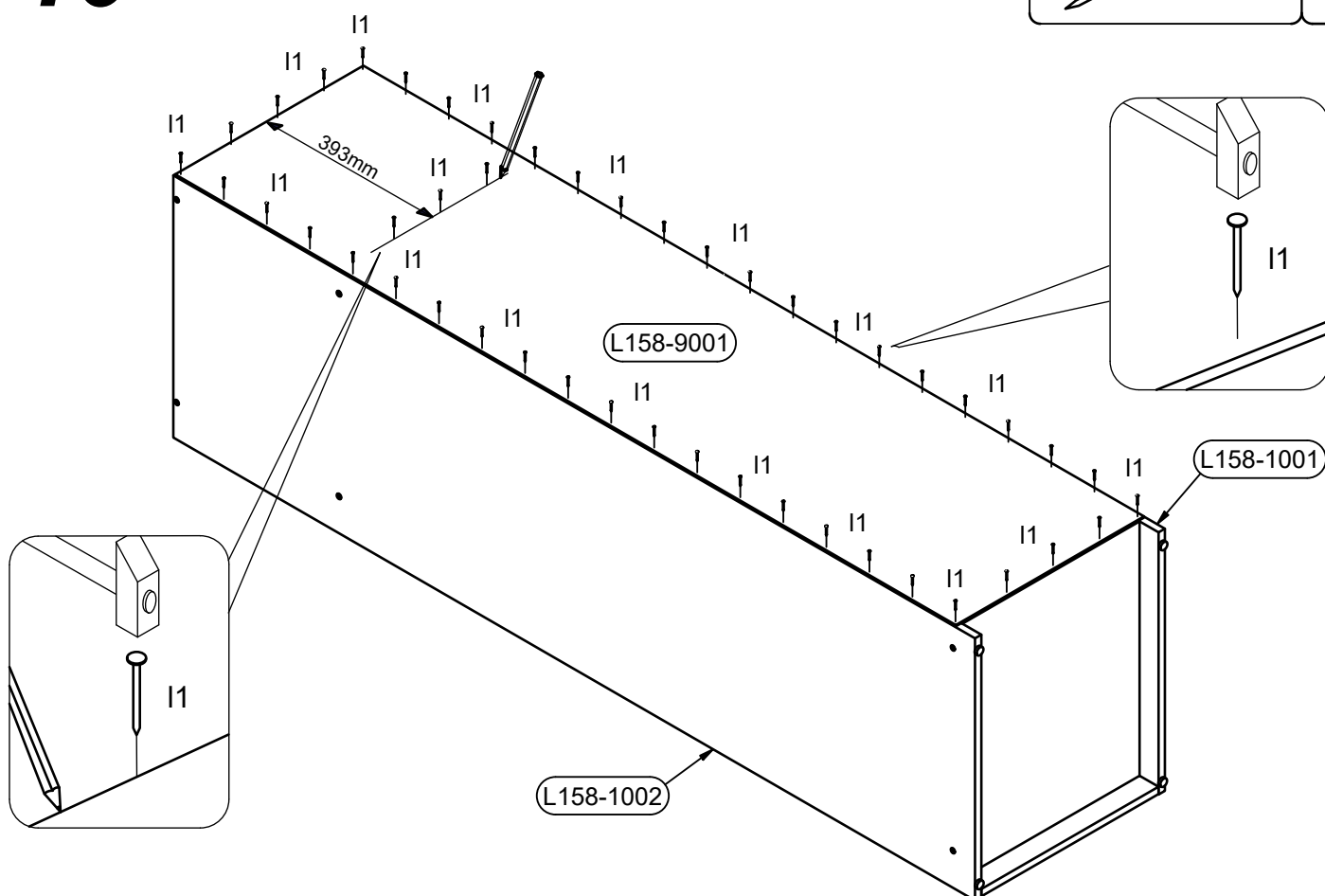
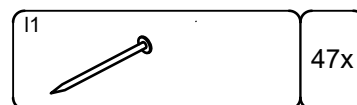
8






A=B

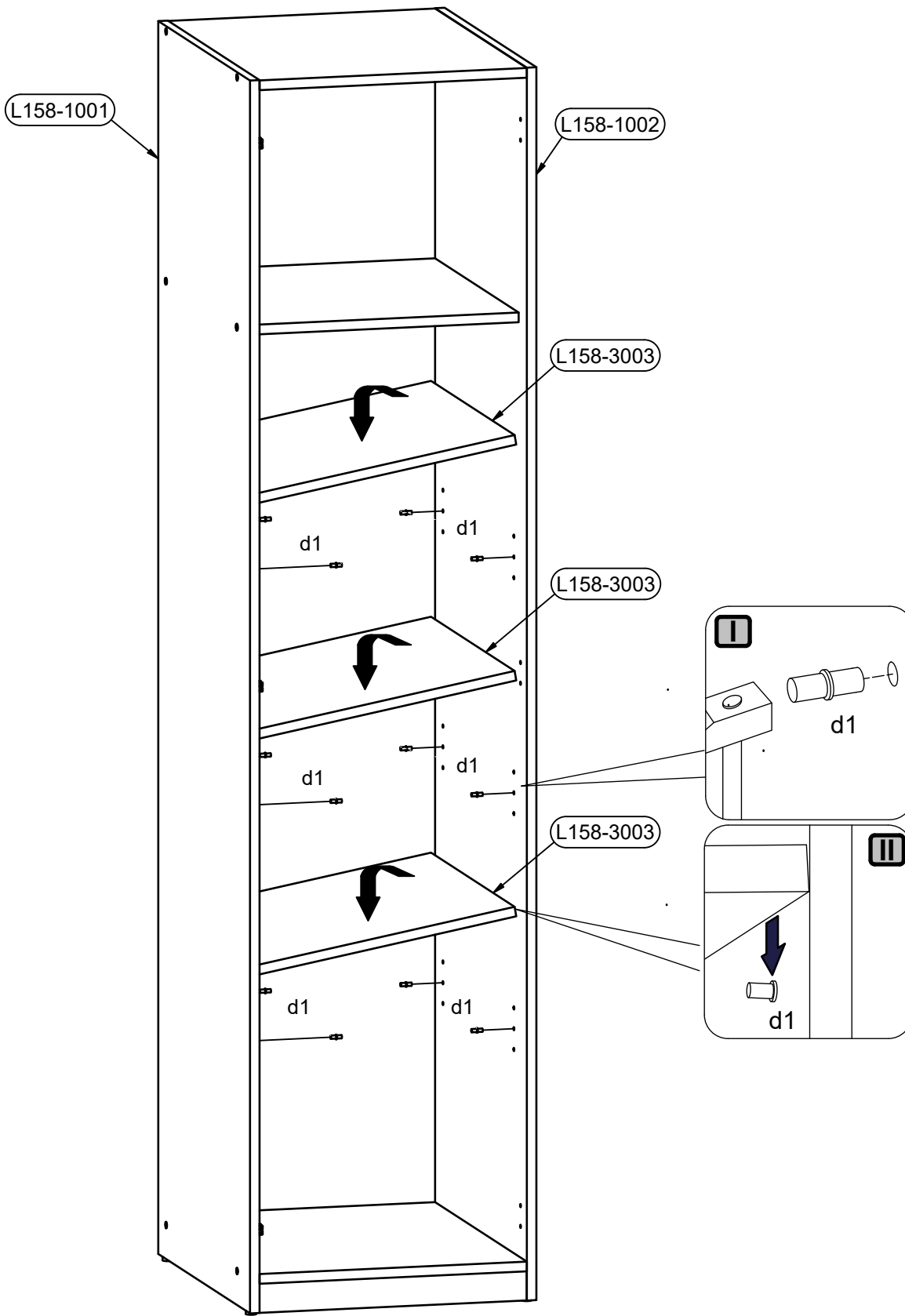
10

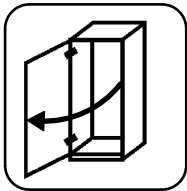


11

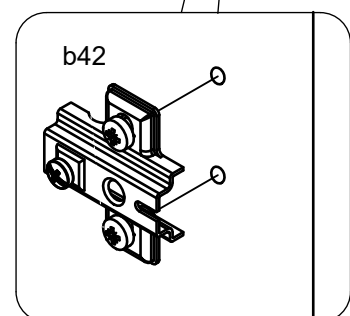
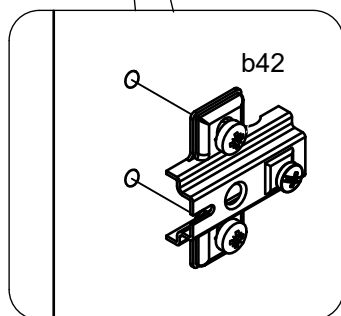
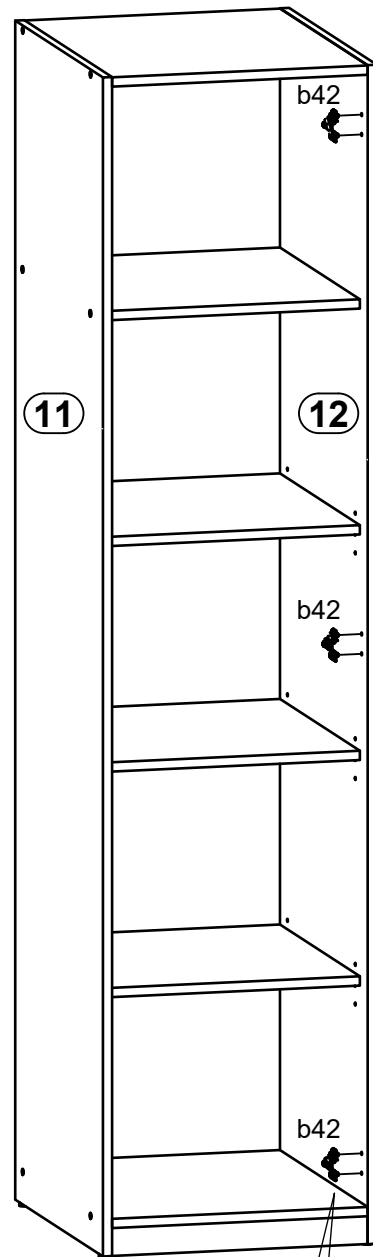
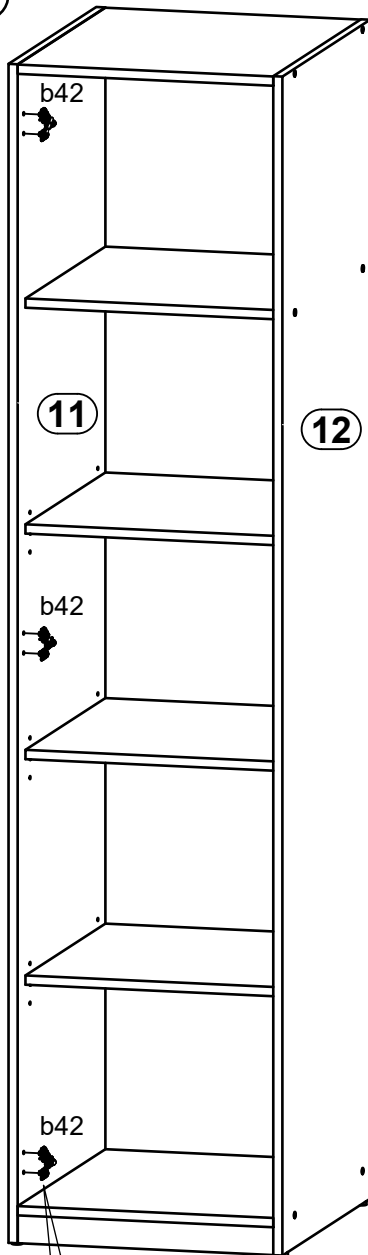
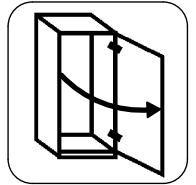


d1		12x
	fi5mm	

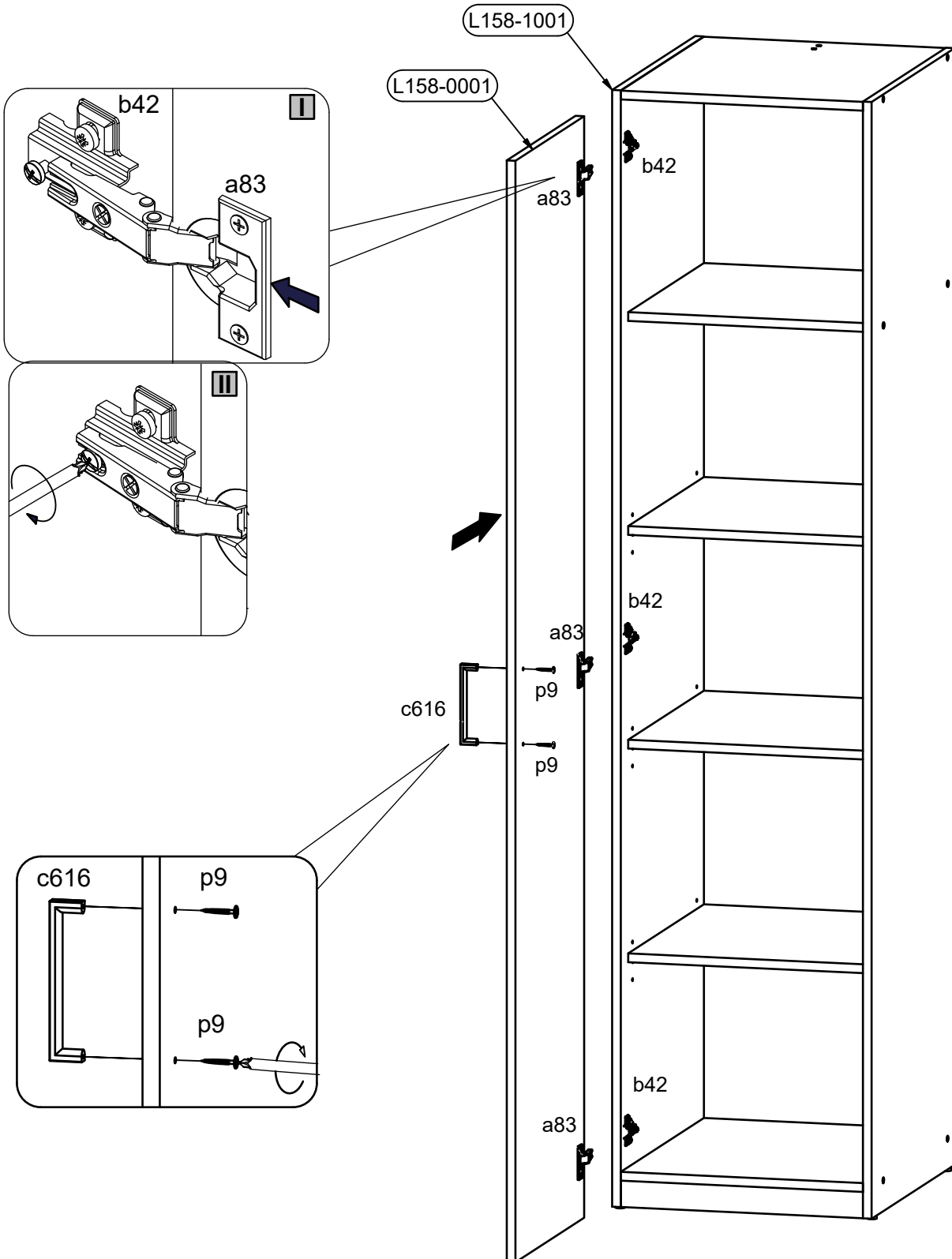
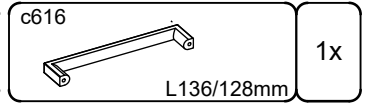
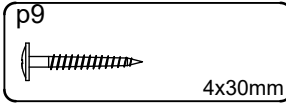


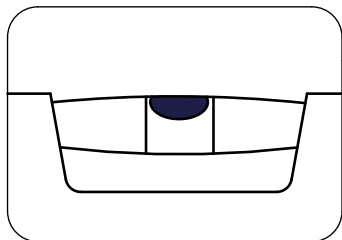


12

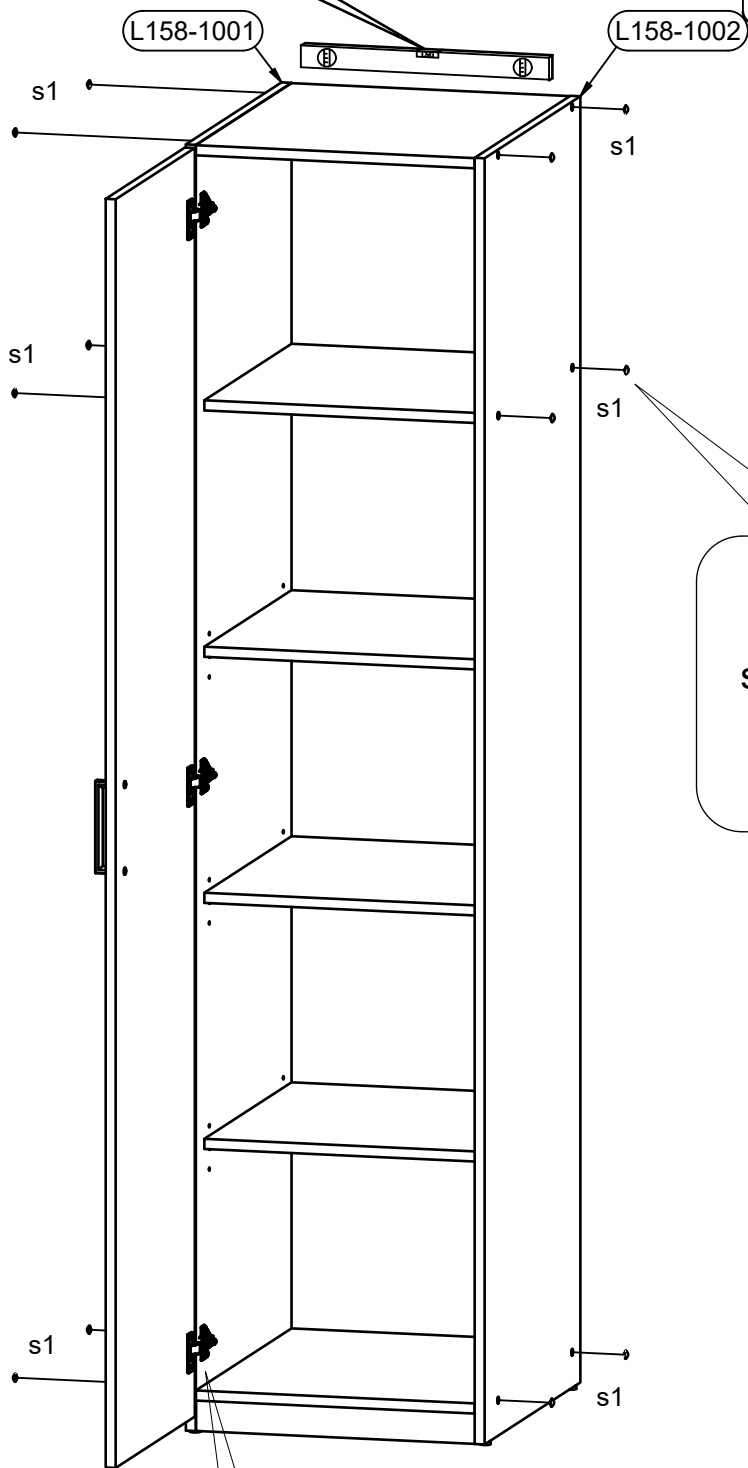


13

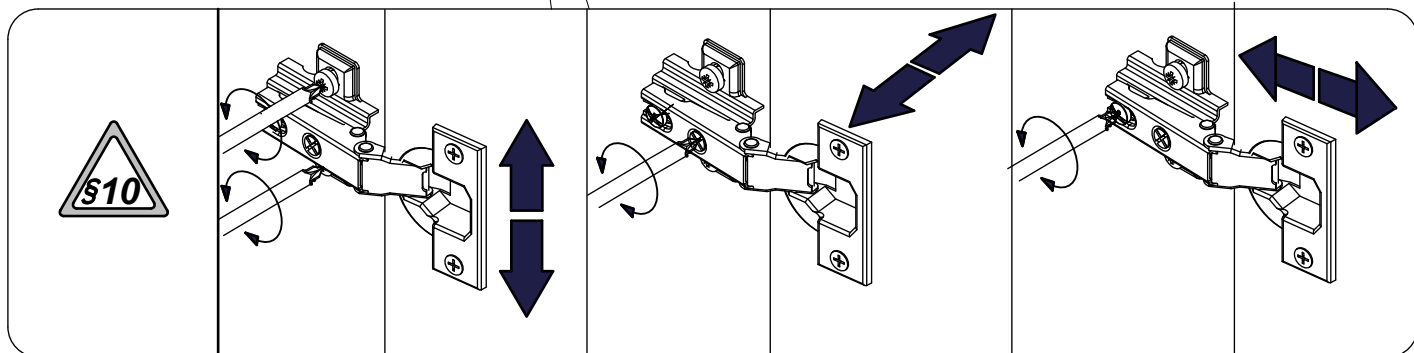
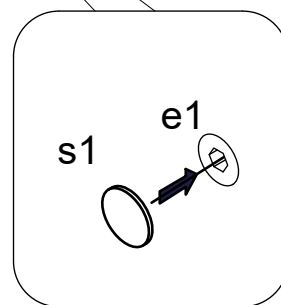




s1		12x
		Ø12mm



14



15

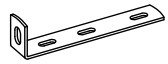
p51



2x

3.5x15mm

n142



1x

