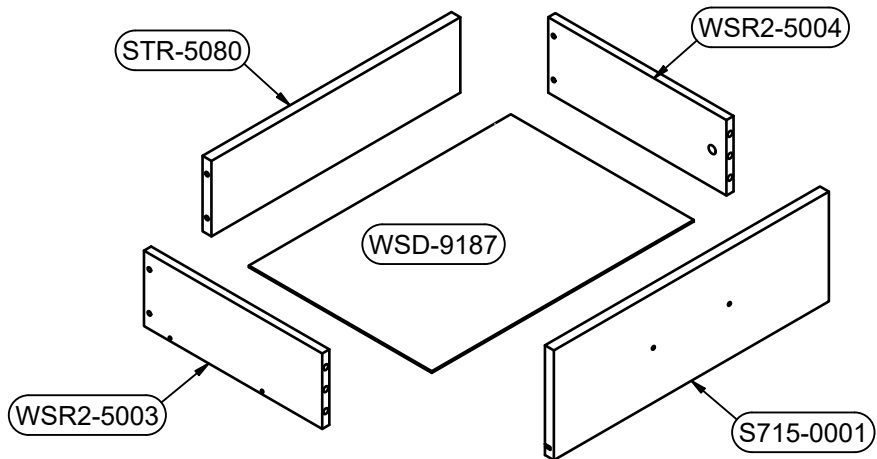
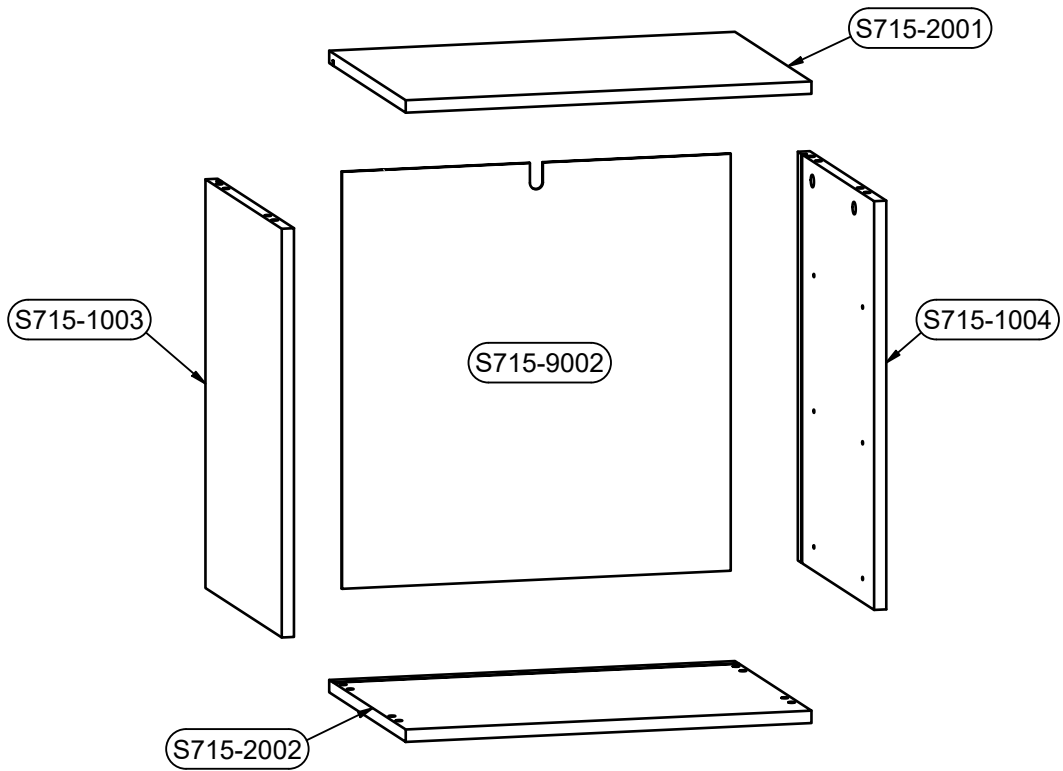
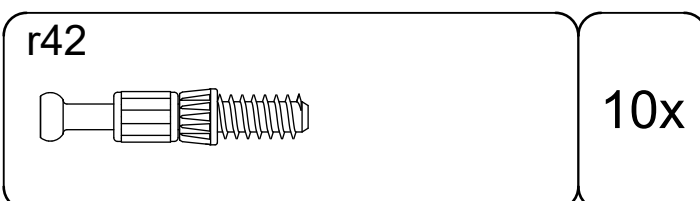
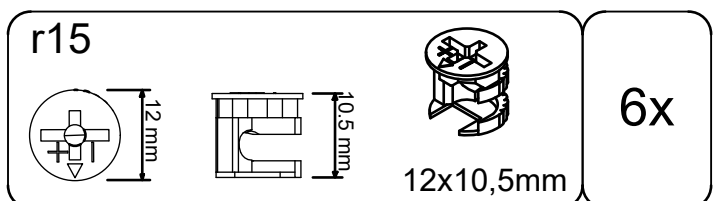
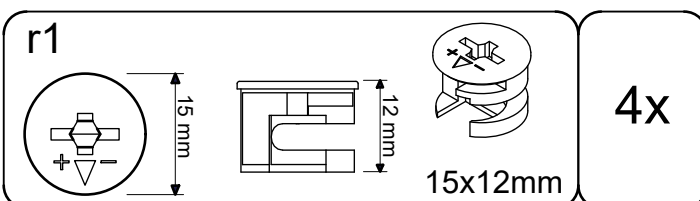
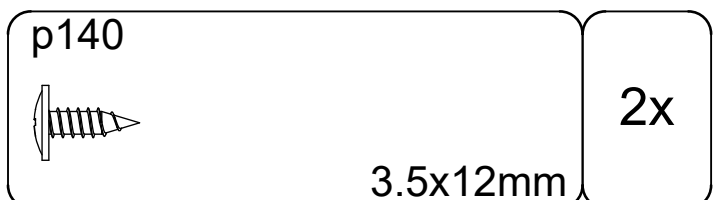
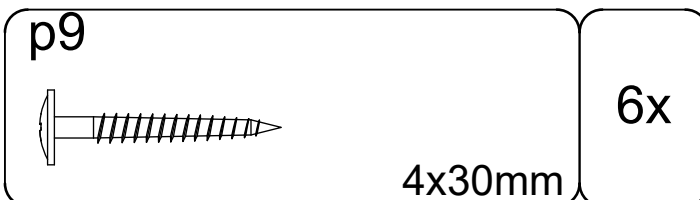
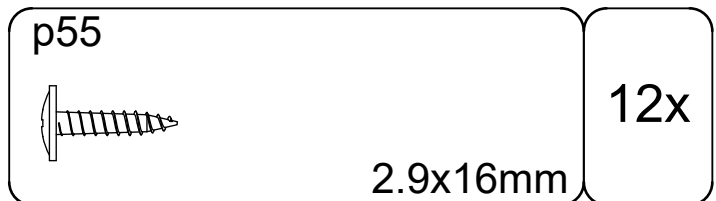
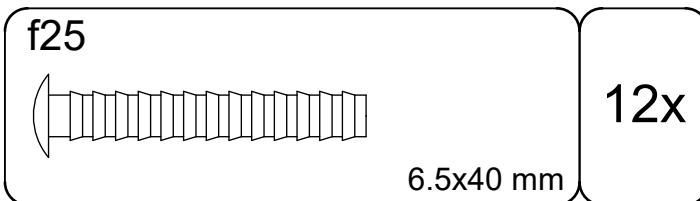
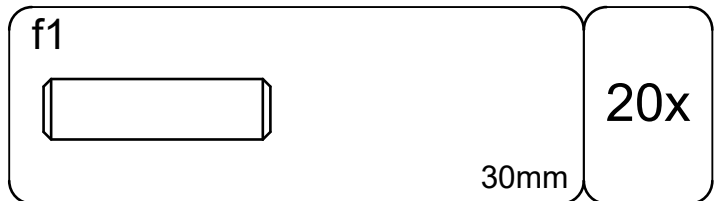
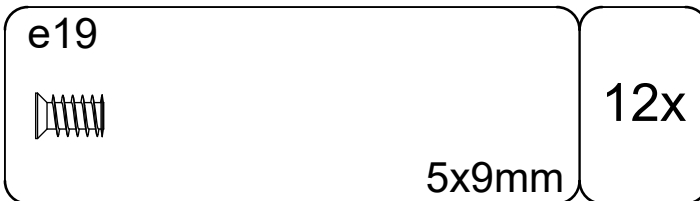
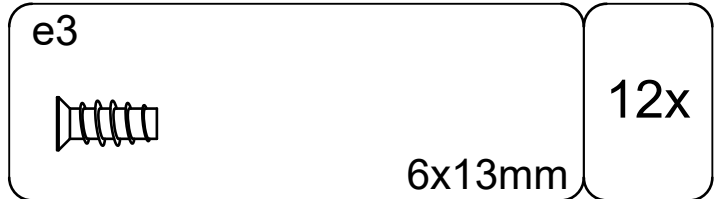
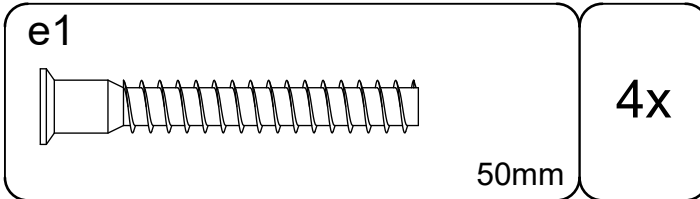
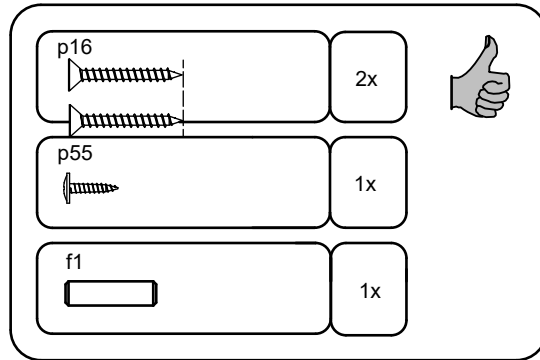
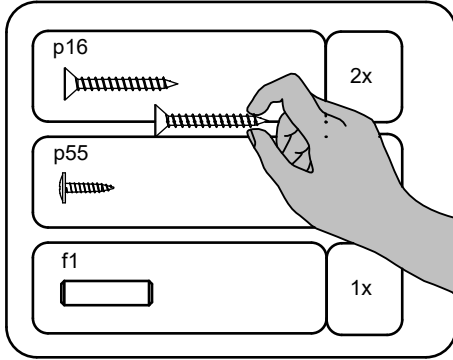


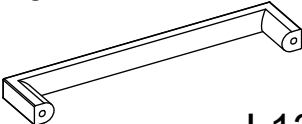

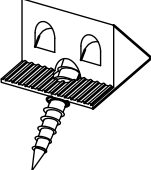
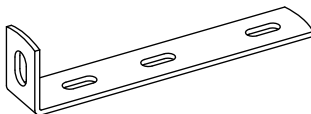
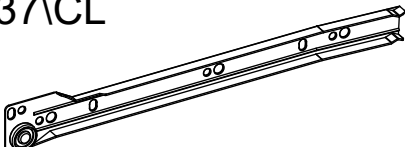
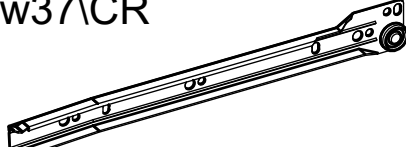
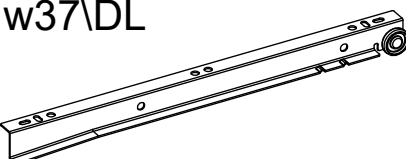
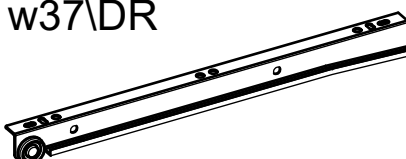

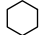
B1	B2	C1	C2	C3	C4	D
S715-0001	-	463	160	15	3	1/1
S715-1003	-	494	351	15	1	1/1
S715-1004	-	494	351	15	1	1/1
S715-2001	-	500	352	15	1	1/1
S715-2002	-	500	352	15	1	1/1
S715-9002	-	504	479	2,5	1	1/1
STR-5080	-	419	110	15	3	1/1
WSD-9187	-	441	308	2,5	3	1/1
WSR2-5003	-2	300	110	12	3	1/1
WSR2-5004	-3	300	110	12	3	1/1

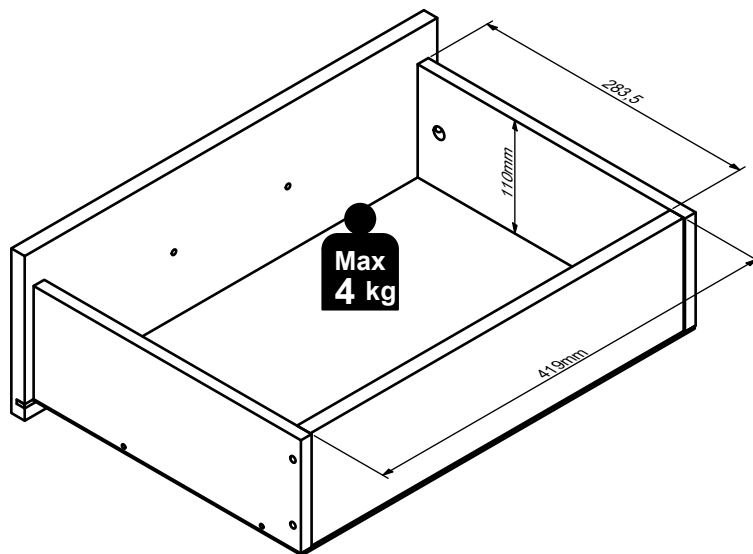
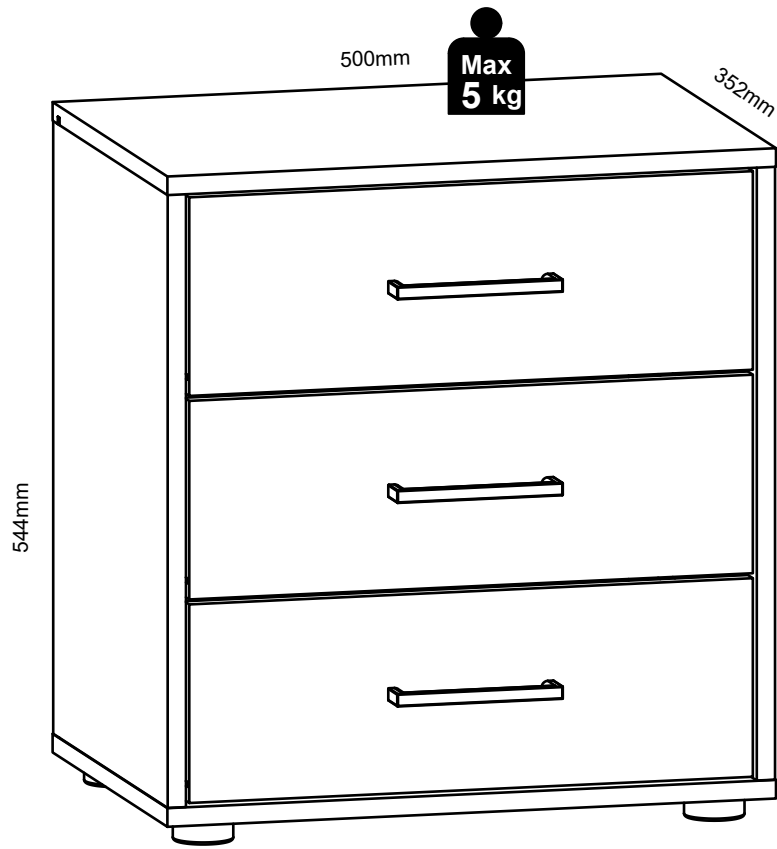


1:1



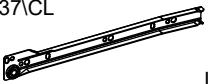

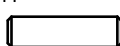

~~1:1~~

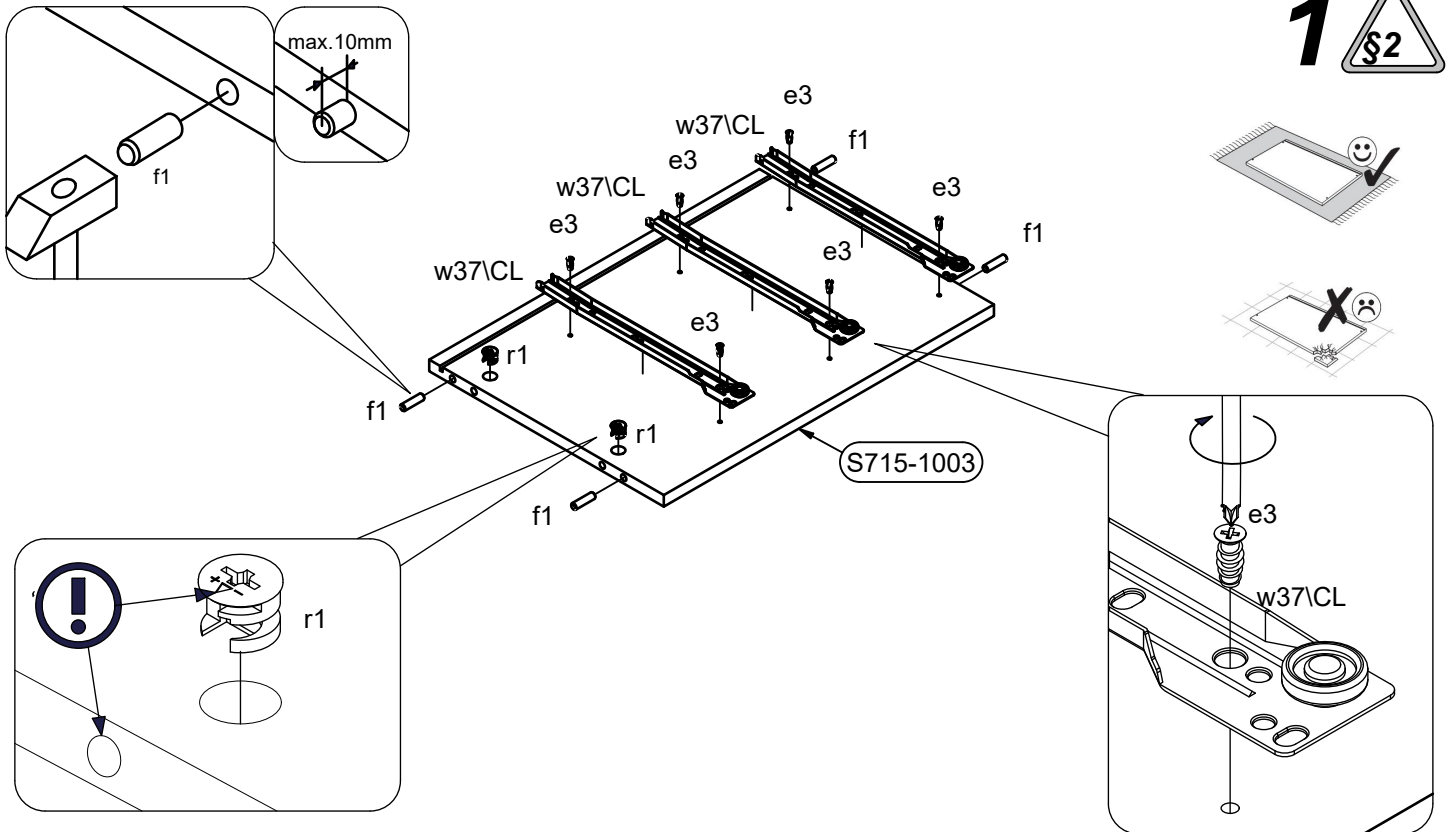
c616  L136/128mm	3x	k27  fi48x20mm	4x
l2 	4x	n14\2 	1x
w37\CL  L300	3x	w37\CR  L300	3x
w37\DL  L300	3x	w37\DR  L300	3x
z1   4mm	1x		

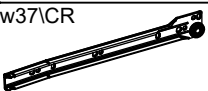

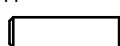



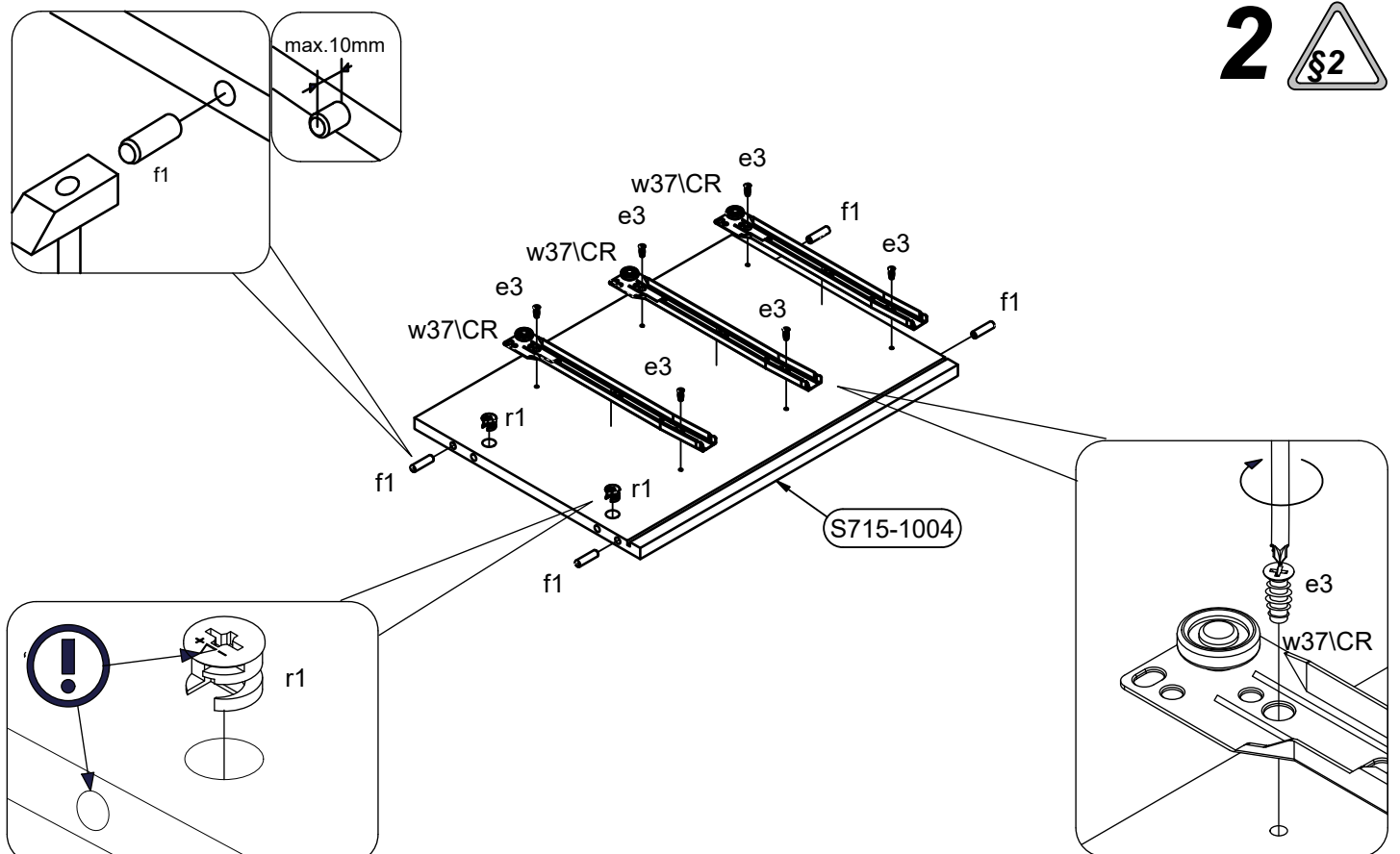
A**L158-KOM3S**

7 / 15

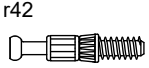
w37\CL  L300	3x	e3  6x13mm	6x	f1  30mm	4x	r1  15x12mm	2x
---	----	---	----	---	----	--	----

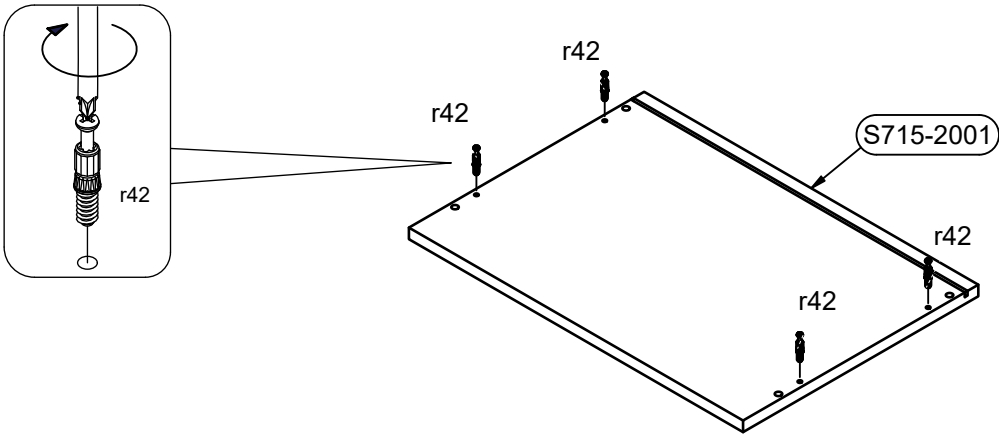


w37\CR  L300	3x	e3  6x13mm	6x	f1  30mm	4x	r1  15x12mm	2x
--	----	---	----	---	----	--	----

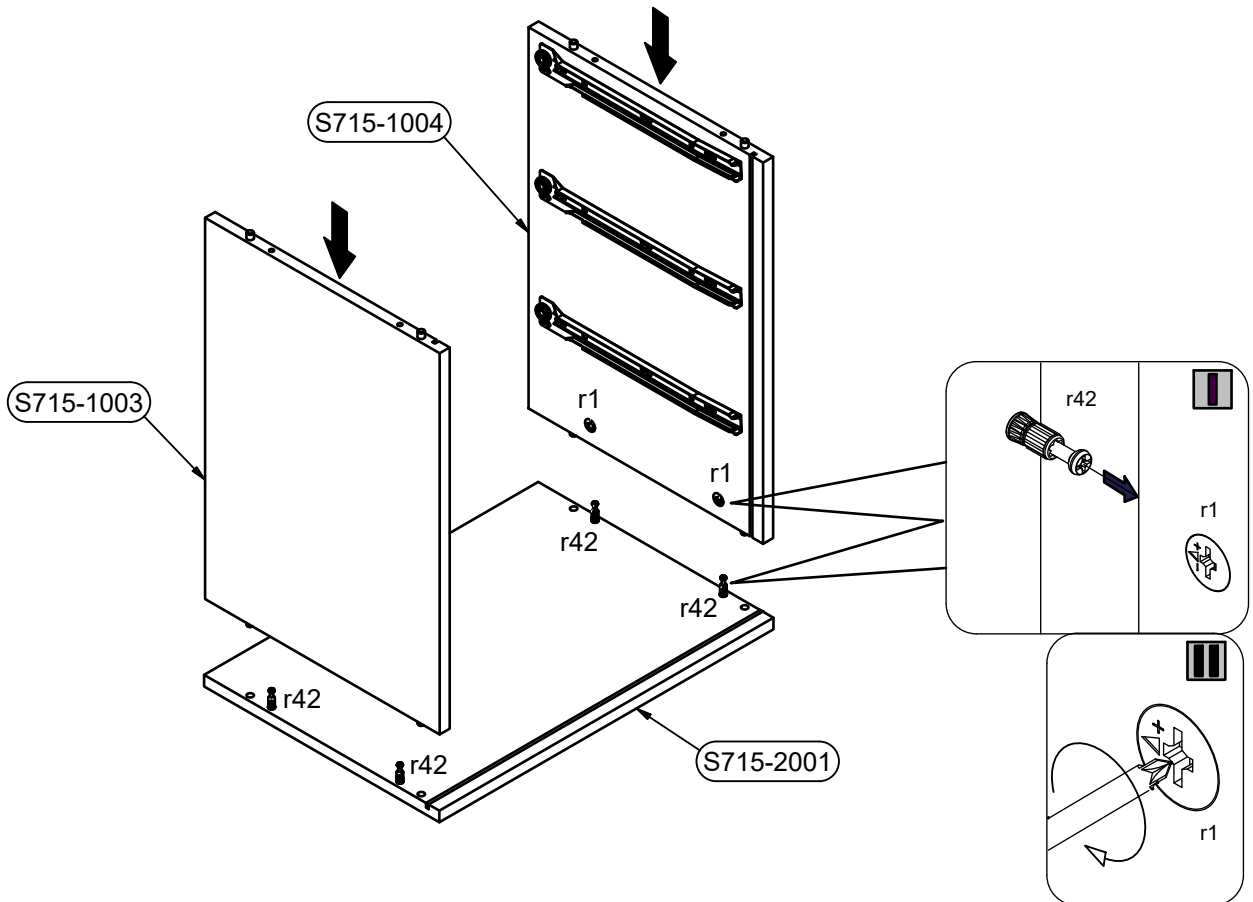


3 

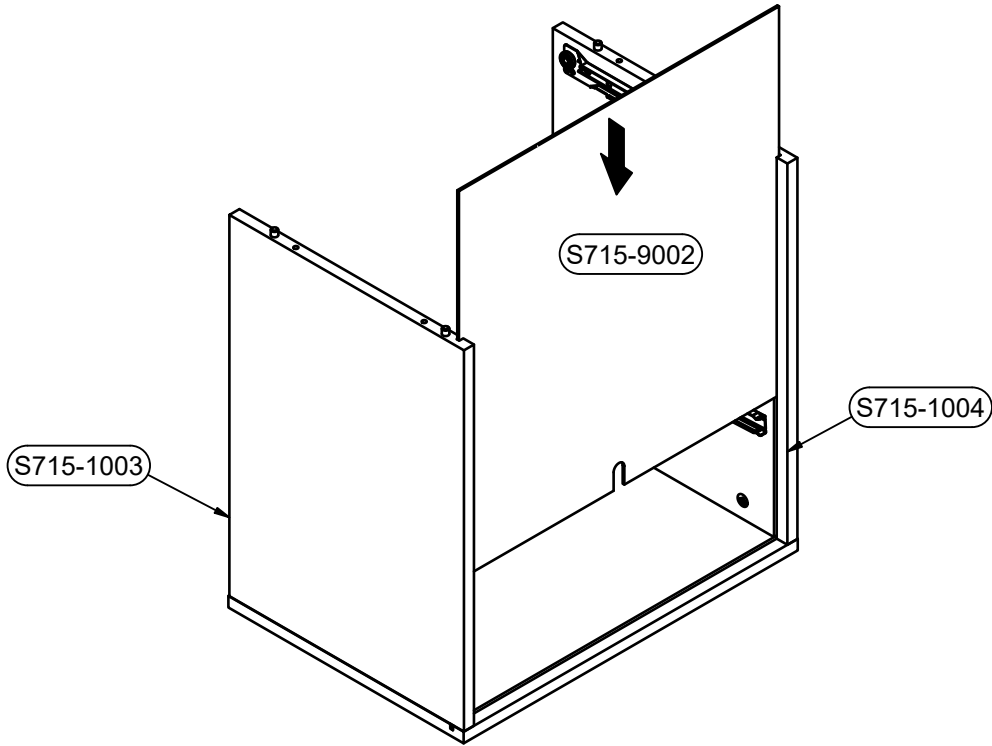
 <p>r42</p>	<p>4x</p>
--	-----------



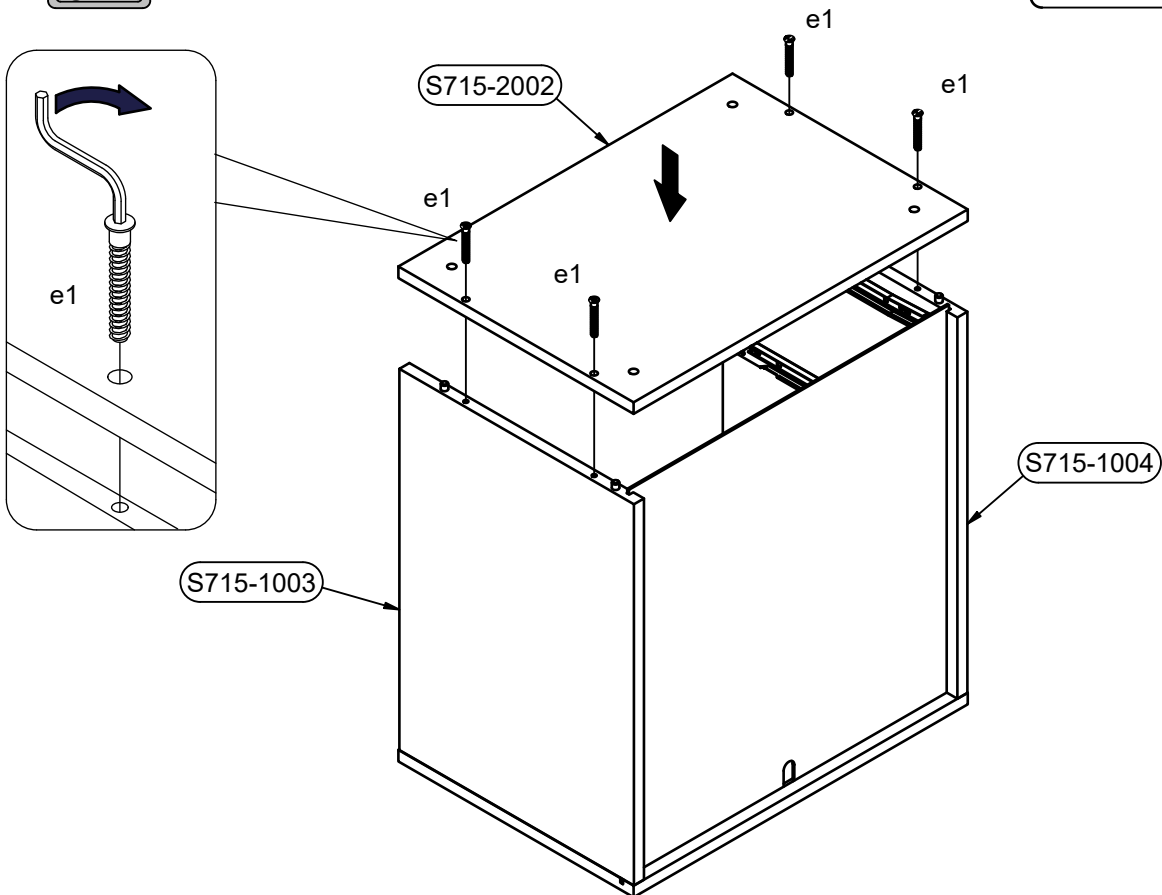
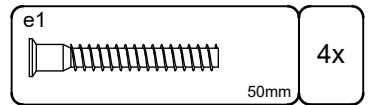
4 



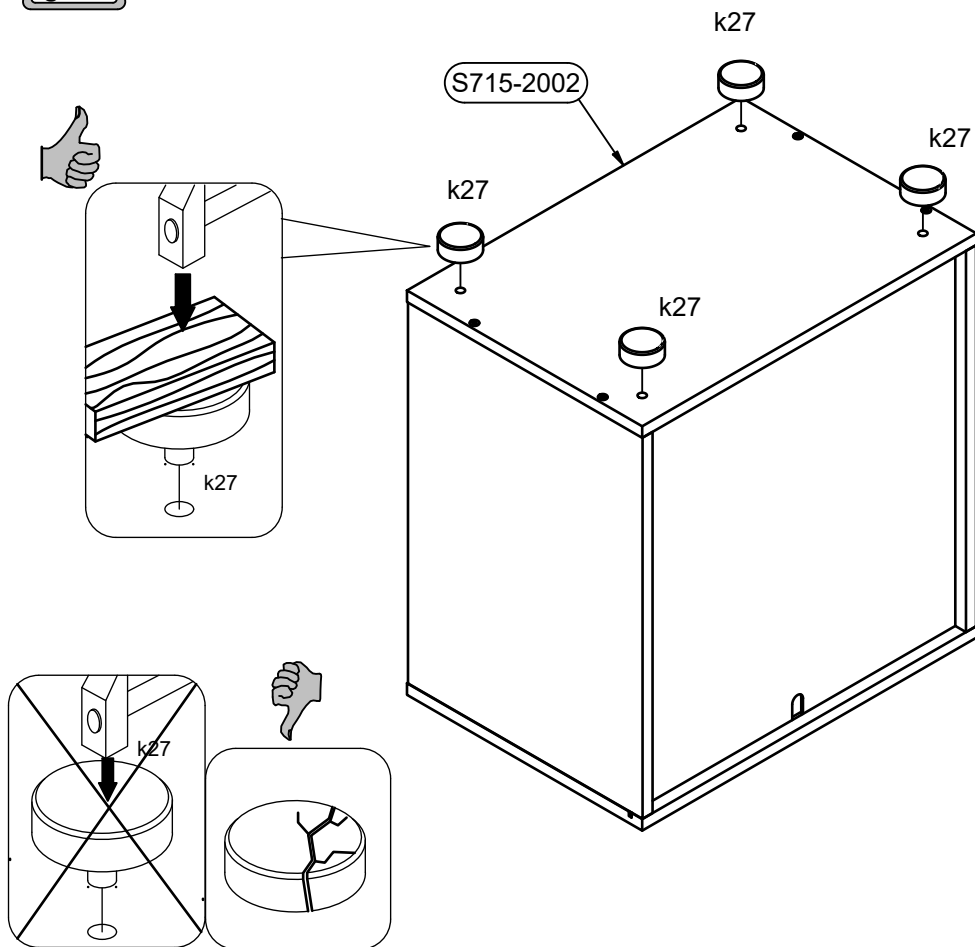
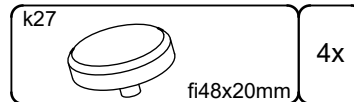
5 



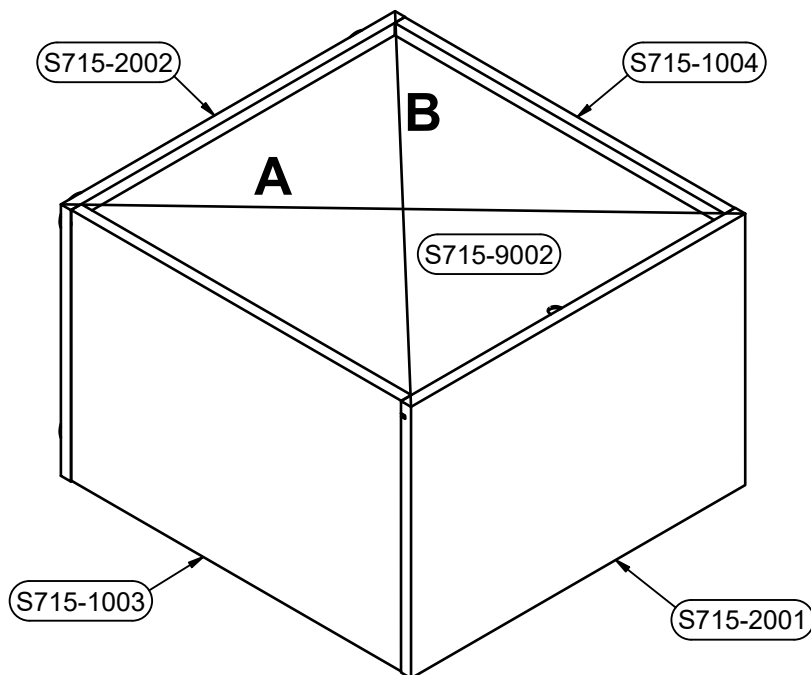
6 



7




8

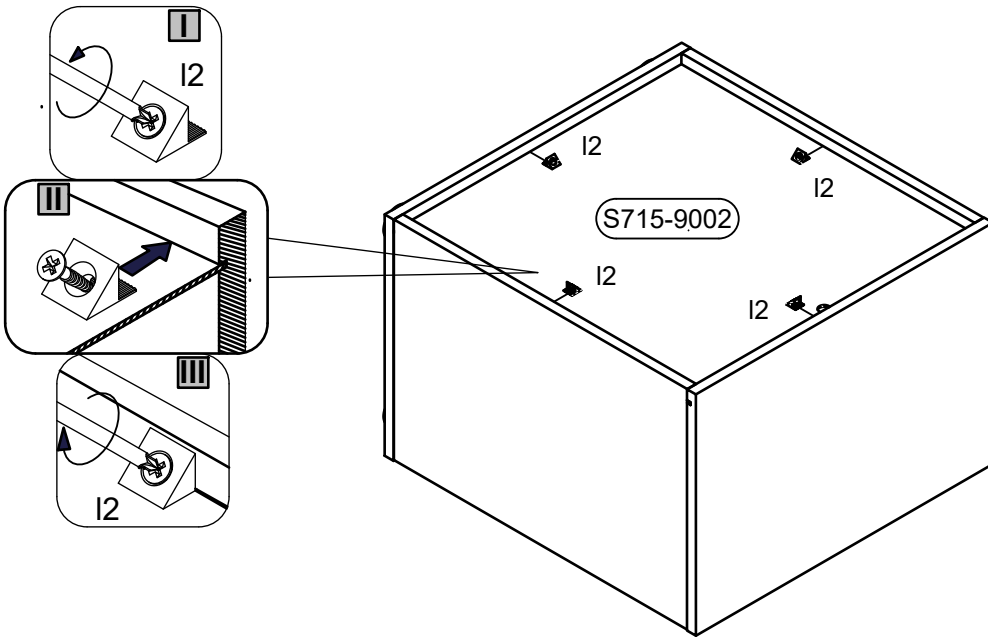


A=B
!

9


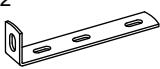


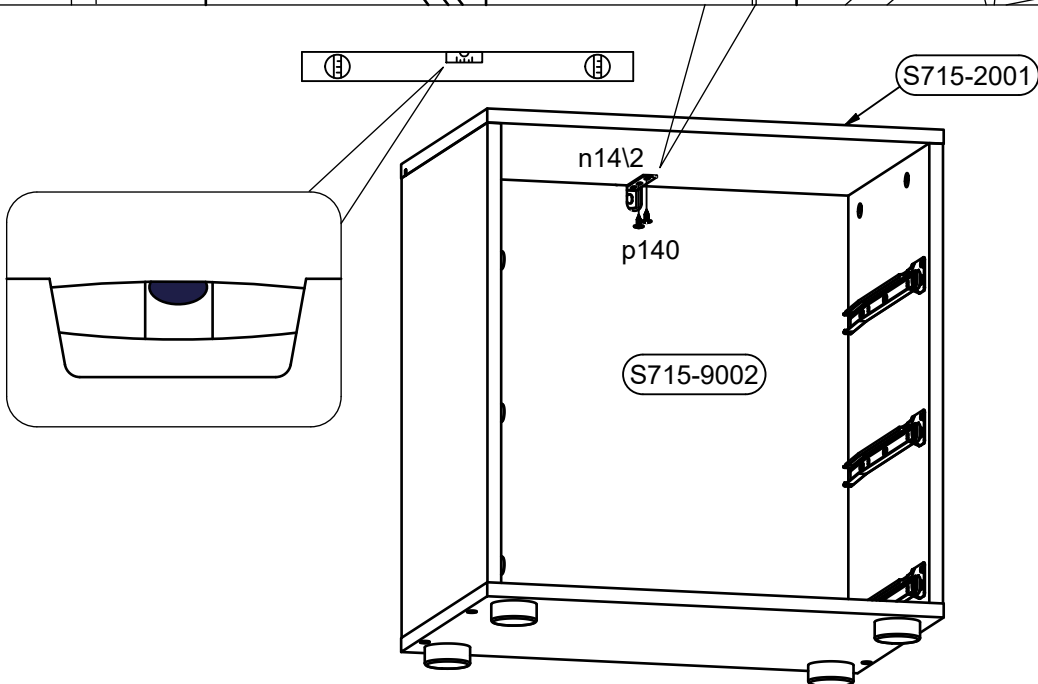
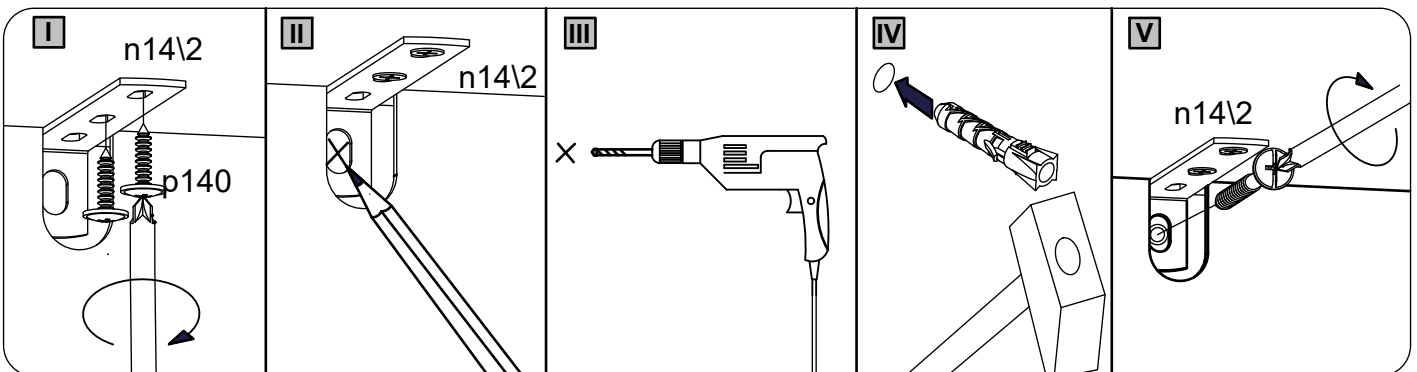
	<p>4x</p>
---	-----------



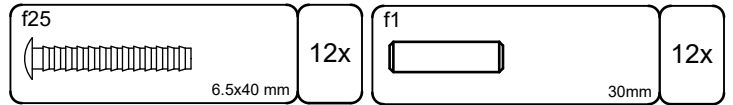
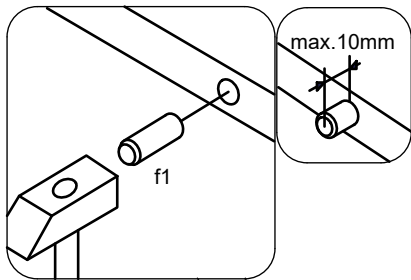
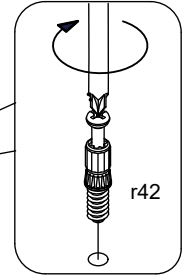
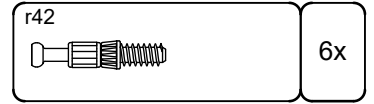
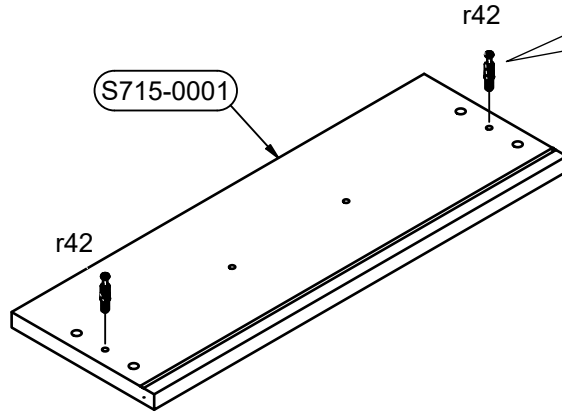
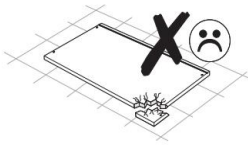
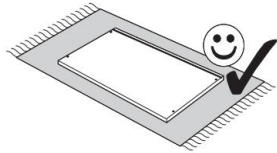
10



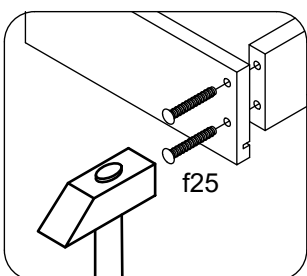
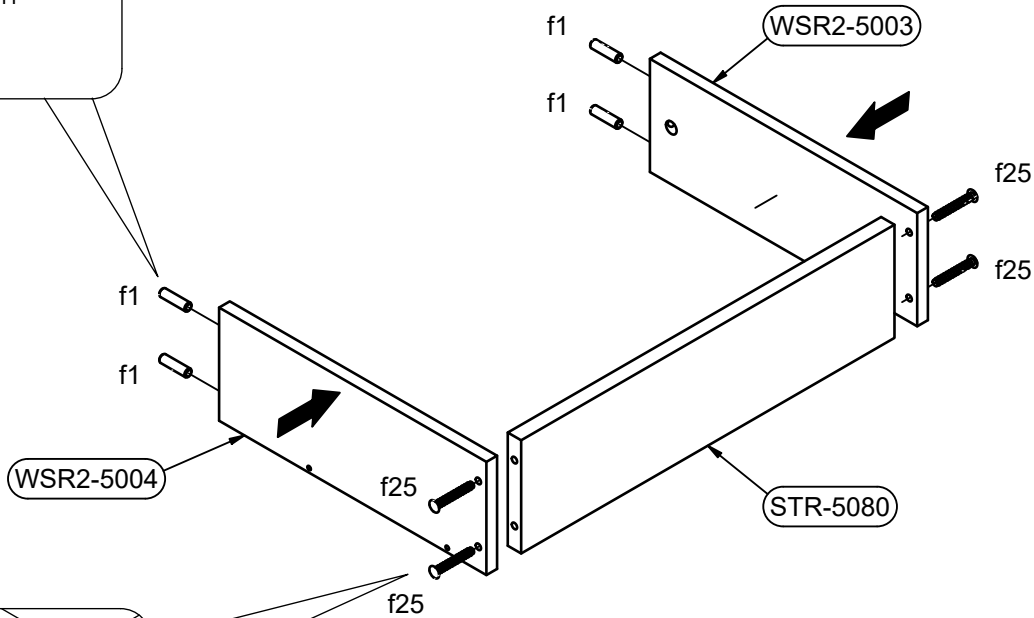
<p>p140</p>  <p>3.5x12mm</p>	<p>2x</p>	<p>n14\2</p> 	<p>1x</p>
--	-----------	---	-----------



11
3x

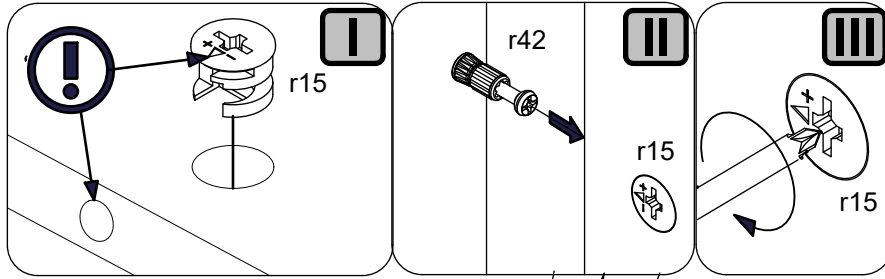


12
3x

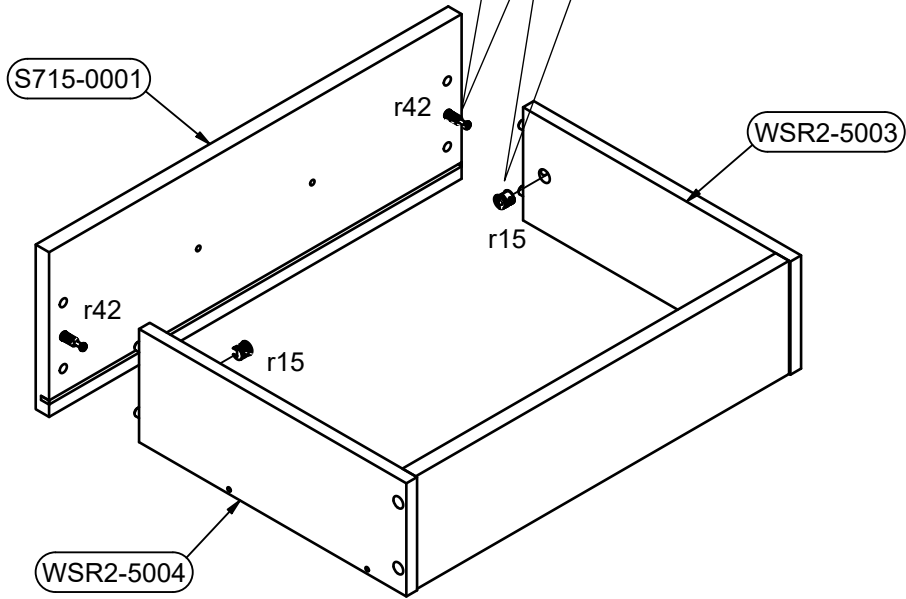


13

3x



r15				6x
	12x10,5mm			

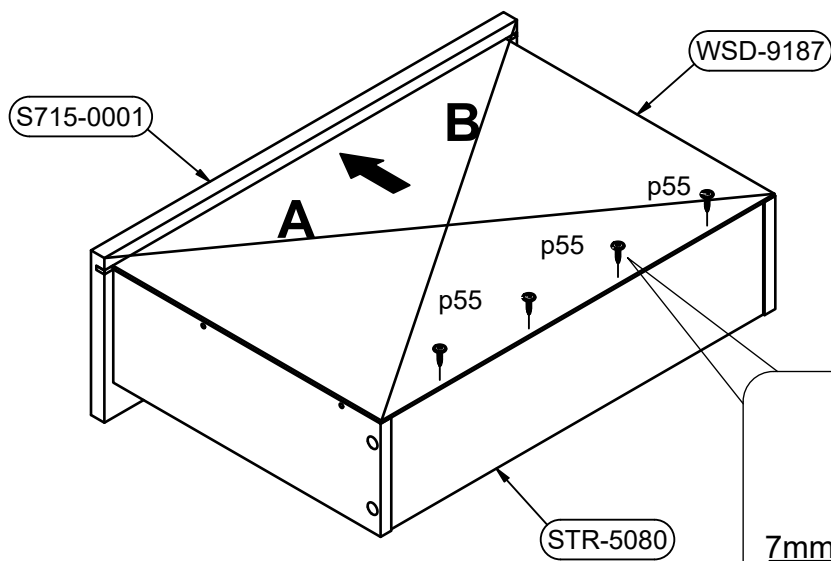


14

3x



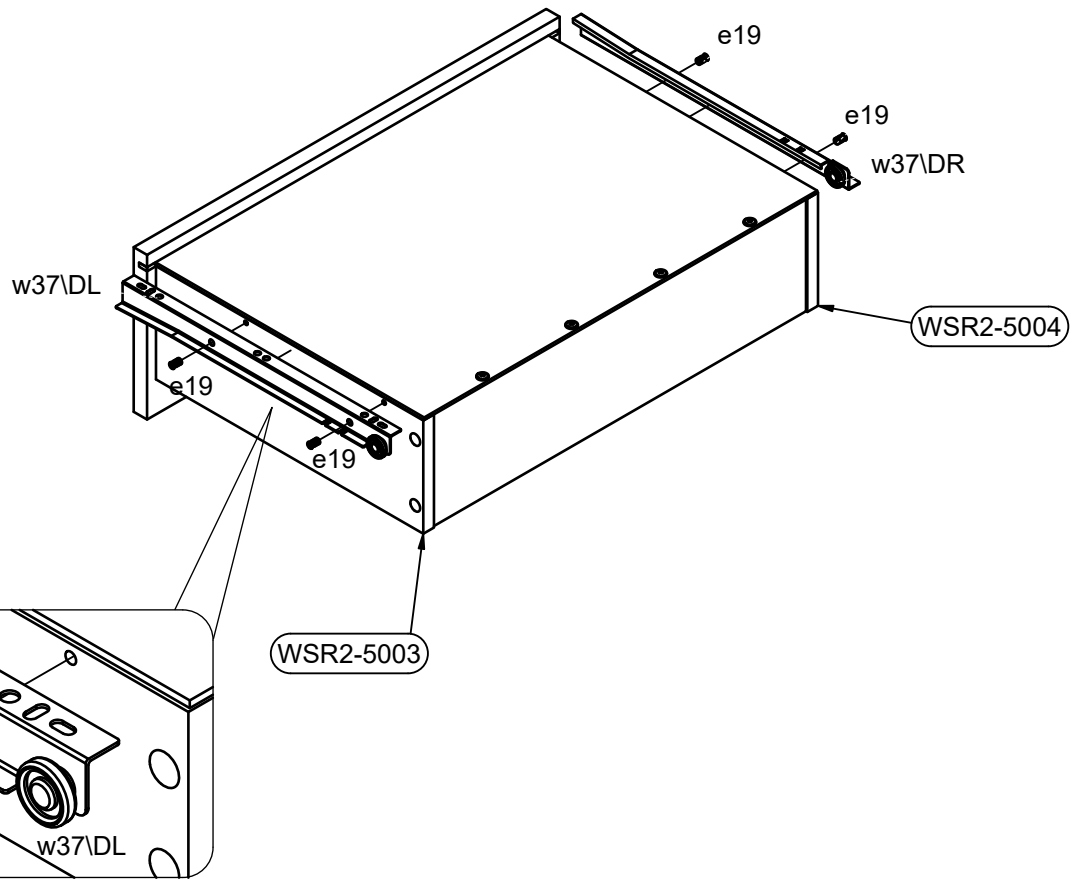
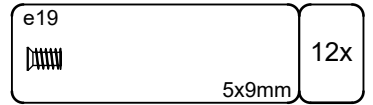
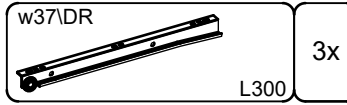
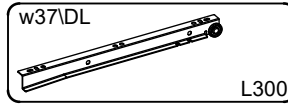
p55		12x
	2.8x16mm	



A=B

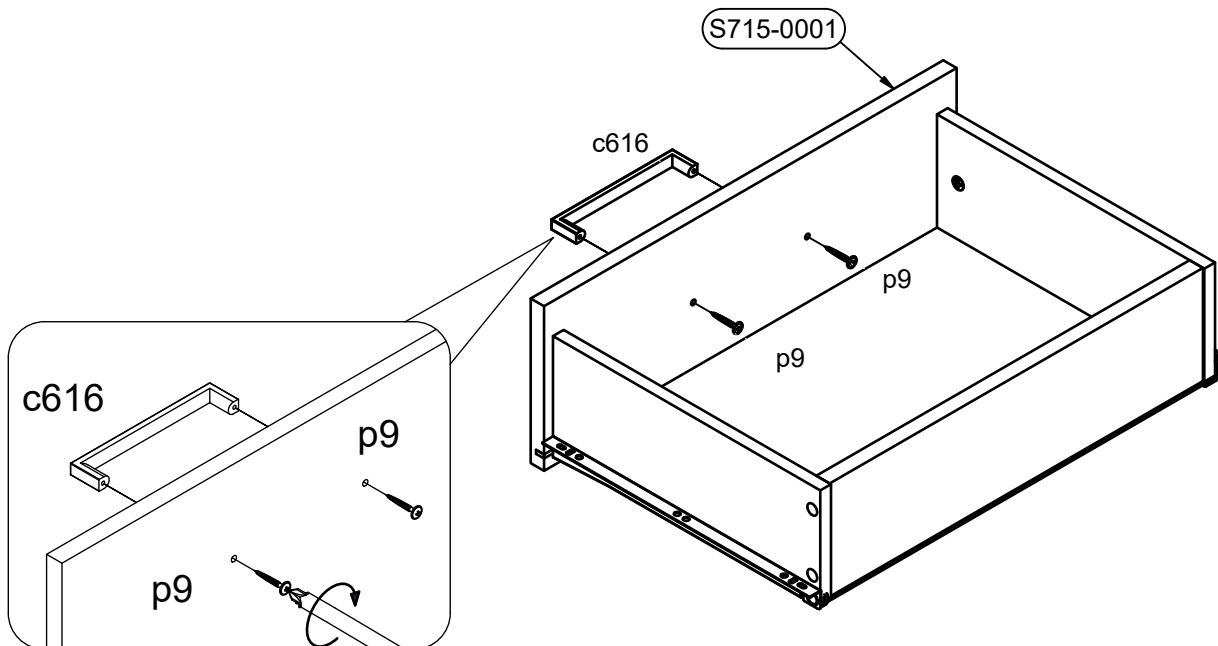
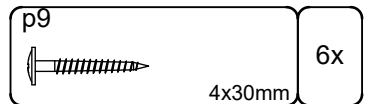
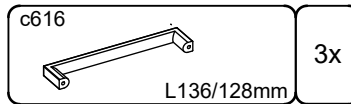
15

3x



16

3x



17

