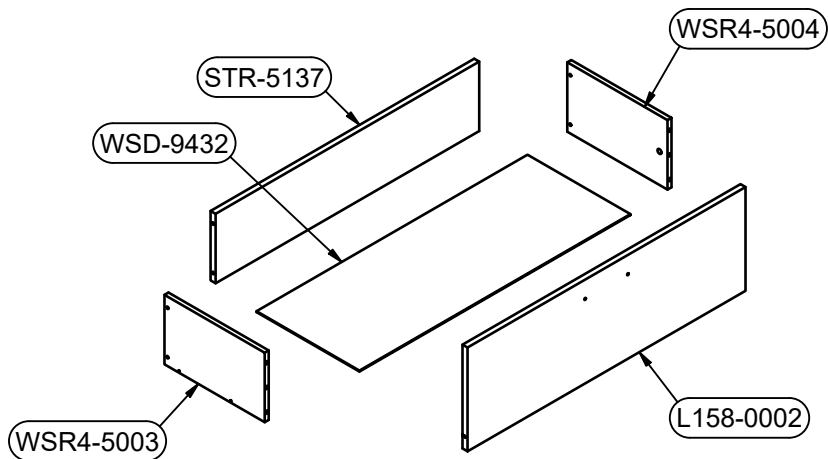
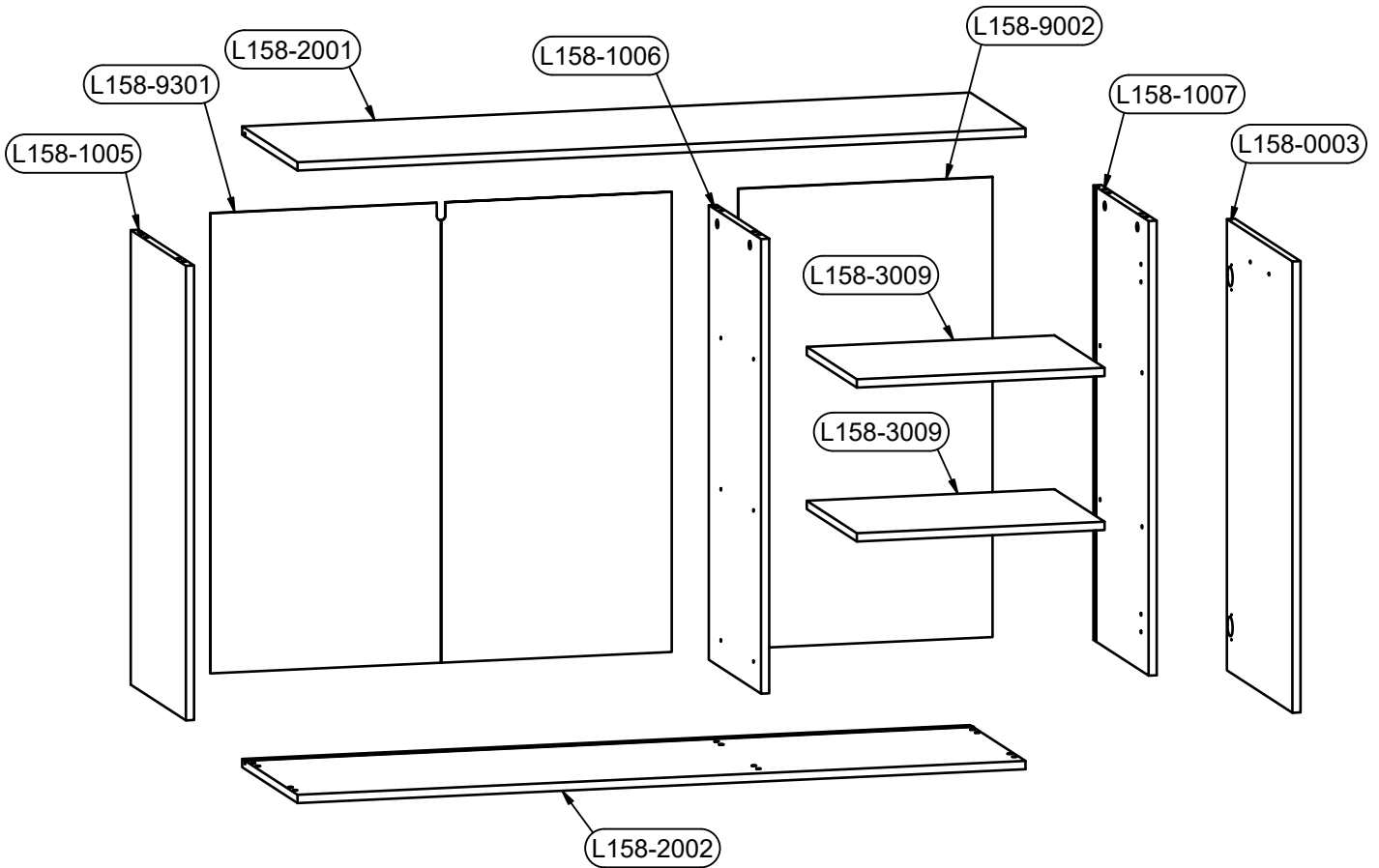
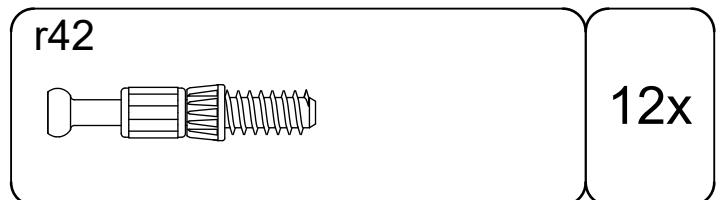
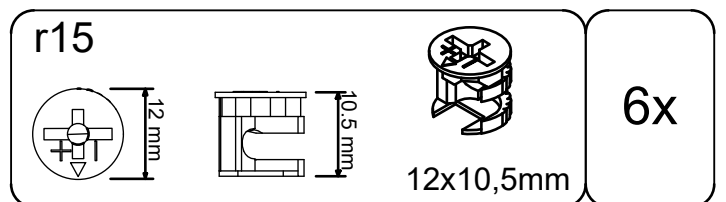
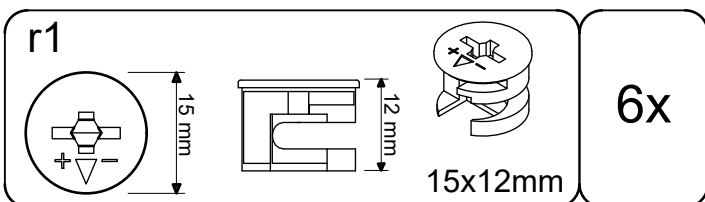
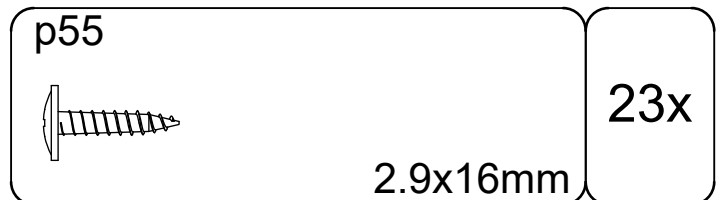
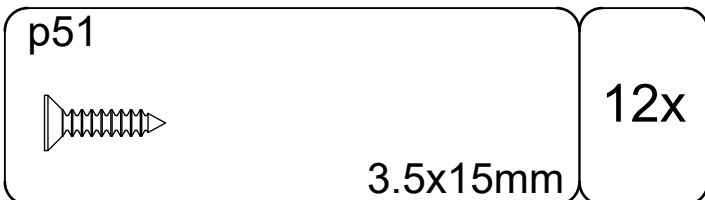
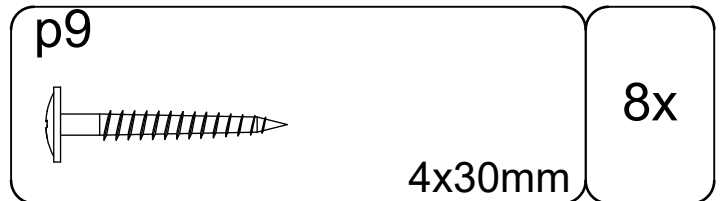
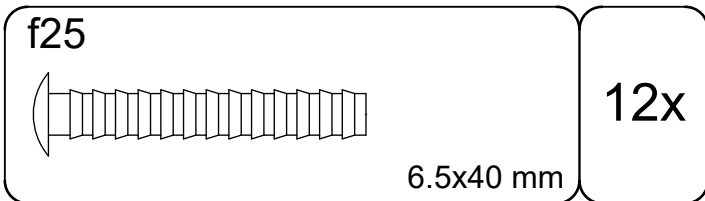
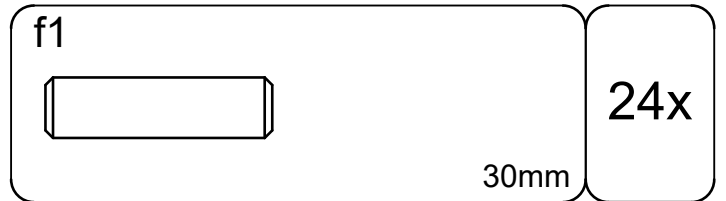
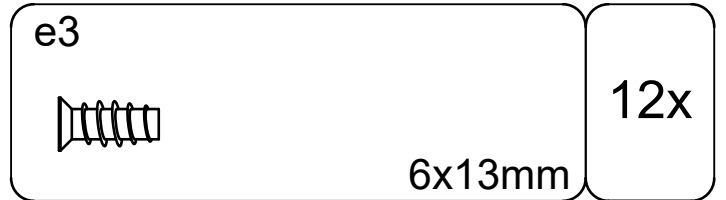
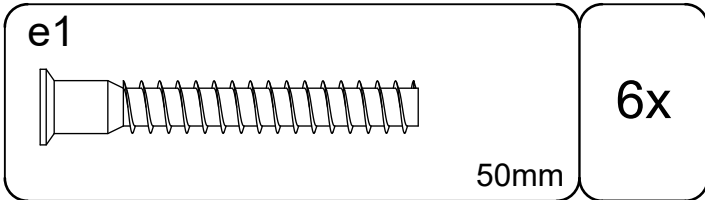
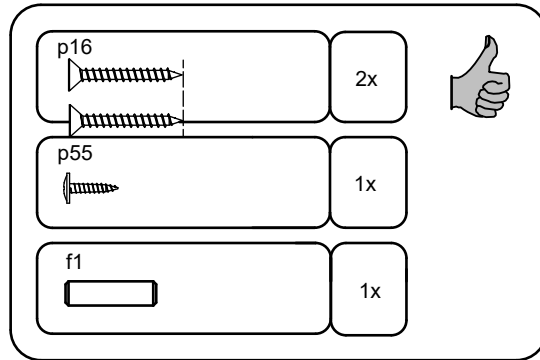
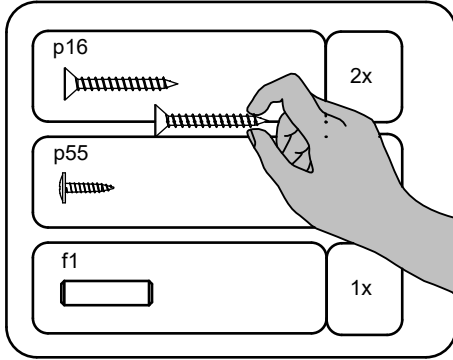


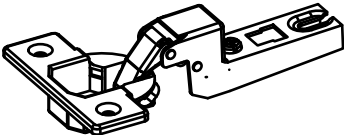
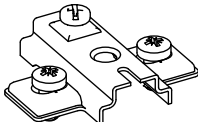
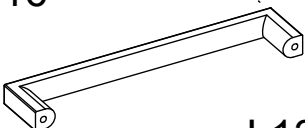
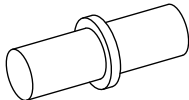
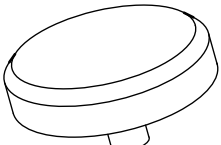
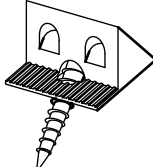
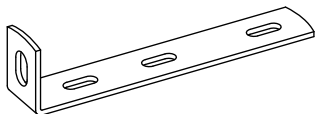
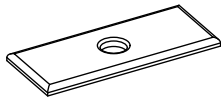
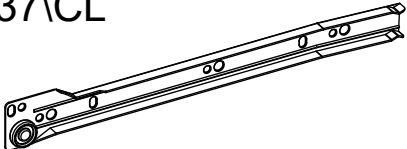
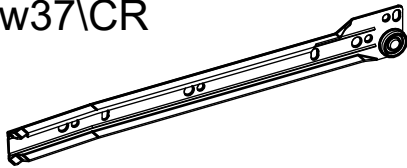
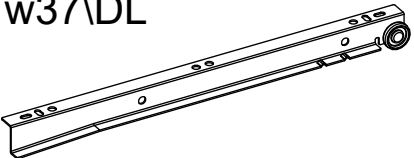
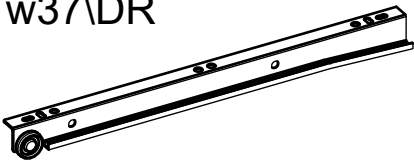
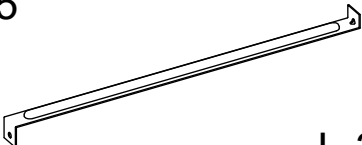
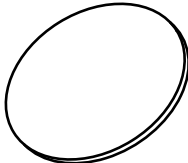
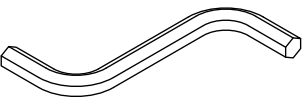
B1	B2	C1	C2	C3	C4	D
L158-0002	-	832	269	15	3	1/2
L158-0003	-	815	450	15	1	1/2
L158-1005	-	821	379	15	1	1/2
L158-1006	-.1	821	359	15	1	1/2
L158-1007	-	821	379	15	1	1/2
L158-2001	-	1340	380	15	1	2/2
L158-2002	-	1340	380	15	1	2/2
L158-3009	-	456	344	15	2	2/2
L158-9002	-	831	468	2,5	1	1/2
L158-9301	-	831	849	2,5	1	1/2
STR-5137	-	789	180	15	3	2/2
WSD-9432	-	811	308	2,5	3	1/2
WSR4-5003	A.1	300	180	12	3	2/2
WSR4-5004	A.1	300	180	12	3	2/2

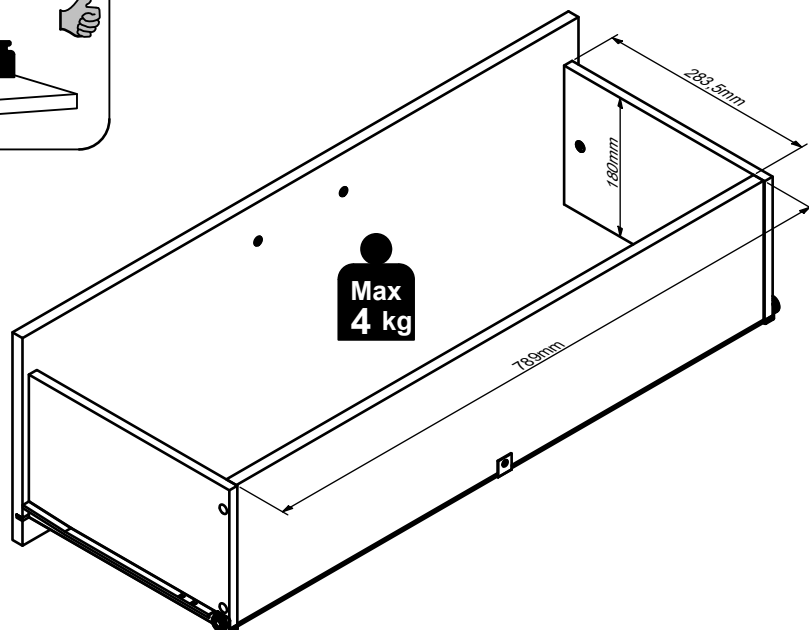
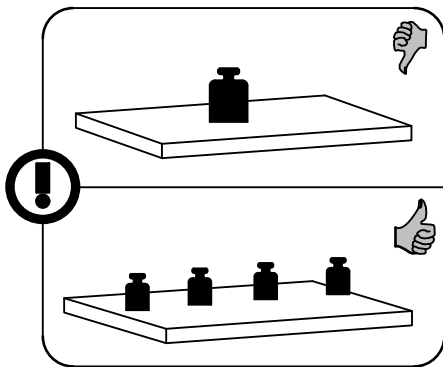
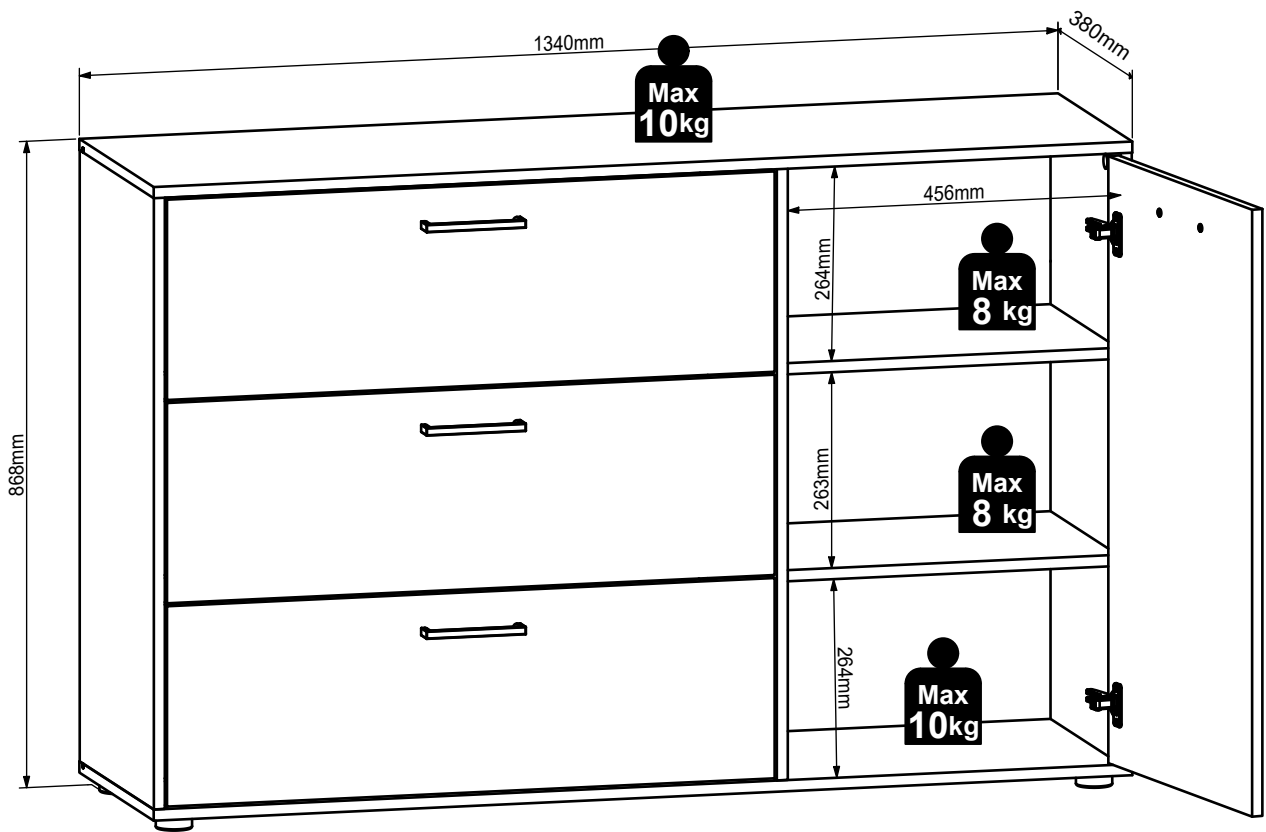


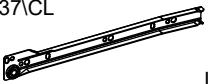

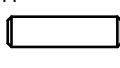

1:1

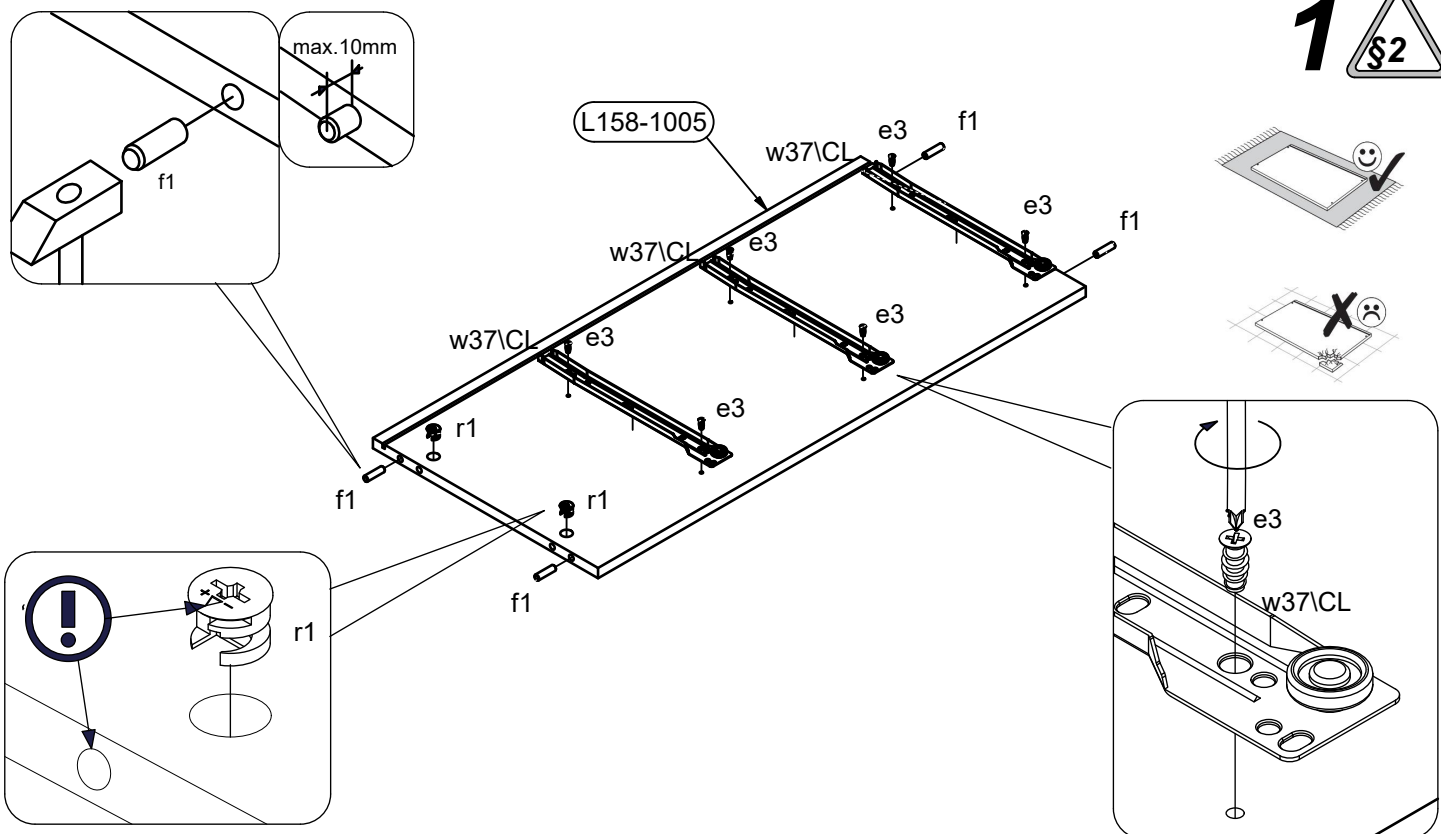




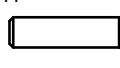

~~1:1~~

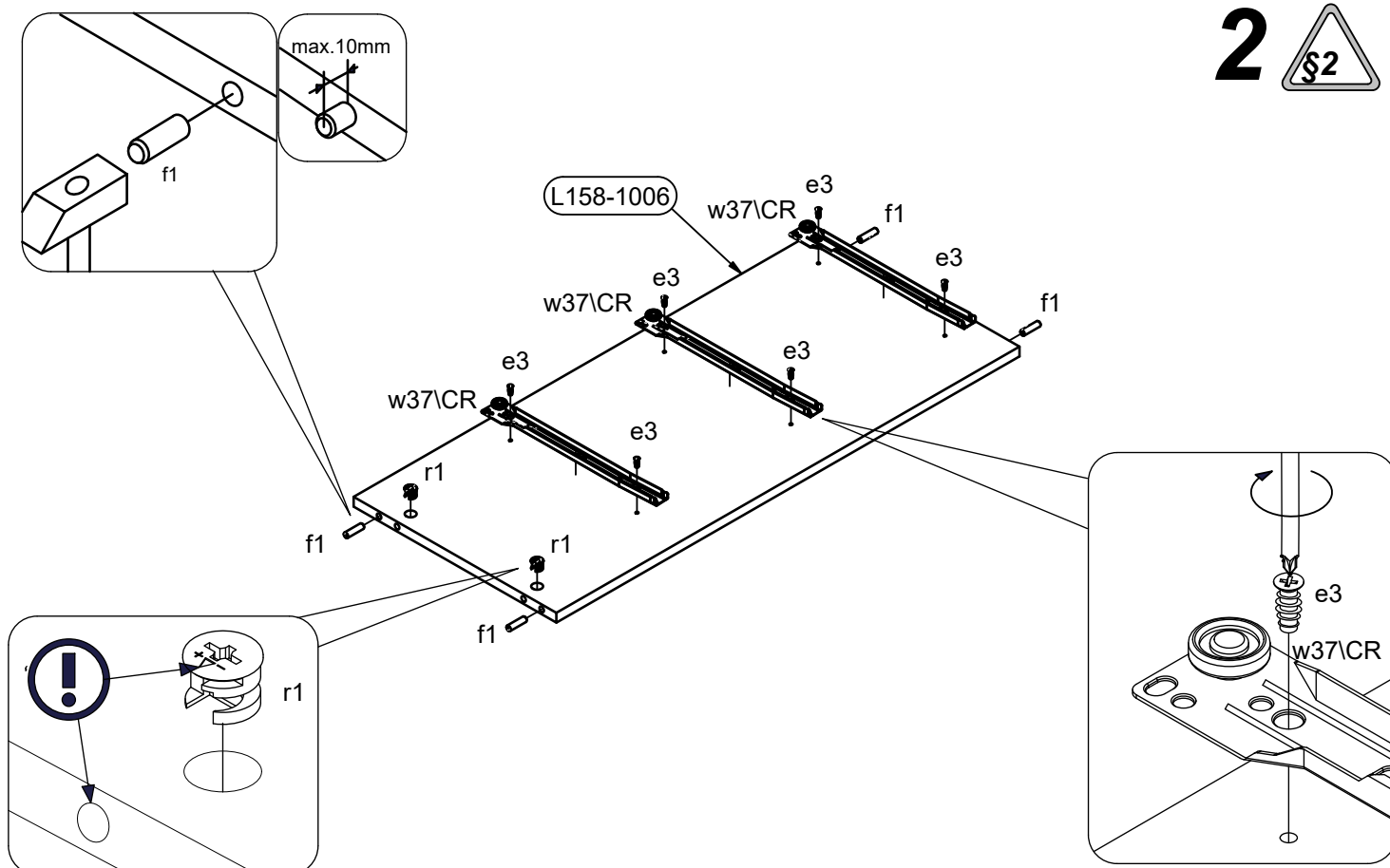
<p>a172</p> 	<p>2x</p>	<p>b42</p> 	<p>2x</p>
<p>c616</p>  <p>L136/128mm</p>	<p>4x</p>	<p>d1</p>  <p>fi5mm</p>	<p>8x</p>
<p>k27</p>  <p>fi48x20mm</p>	<p>5</p>	<p>l2</p> 	<p>10x</p>
<p>n14\2</p> 	<p>1x</p>	<p>n108</p> 	<p>5x</p>
<p>w37\CL</p>  <p>L300</p>	<p>3x</p>	<p>w37\CR</p>  <p>L300</p>	<p>3x</p>
<p>w37\DL</p>  <p>L300</p>	<p>3x</p>	<p>w37\DR</p>  <p>L300</p>	<p>3x</p>
<p>t25</p>  <p>L-300mm</p>	<p>3x</p>	<p>s68</p>  <p>Ø20mm</p>	<p>2x</p>
<p>z1</p>  <p>4mm</p>	<p>1x</p>		



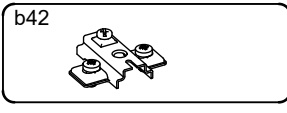
w37\CL  L300	3x	e3  6x13mm	6x	f1  30mm	4x	r1  15x12mm	2x
---	----	---	----	---	----	--	----



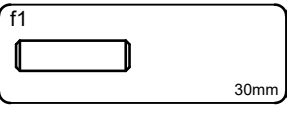
w37\CR  L300	3x	e3  6x13mm	6x	f1  30mm	4x	r1  15x12mm	2x
--	----	---	----	---	----	--	----



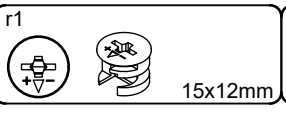
3 



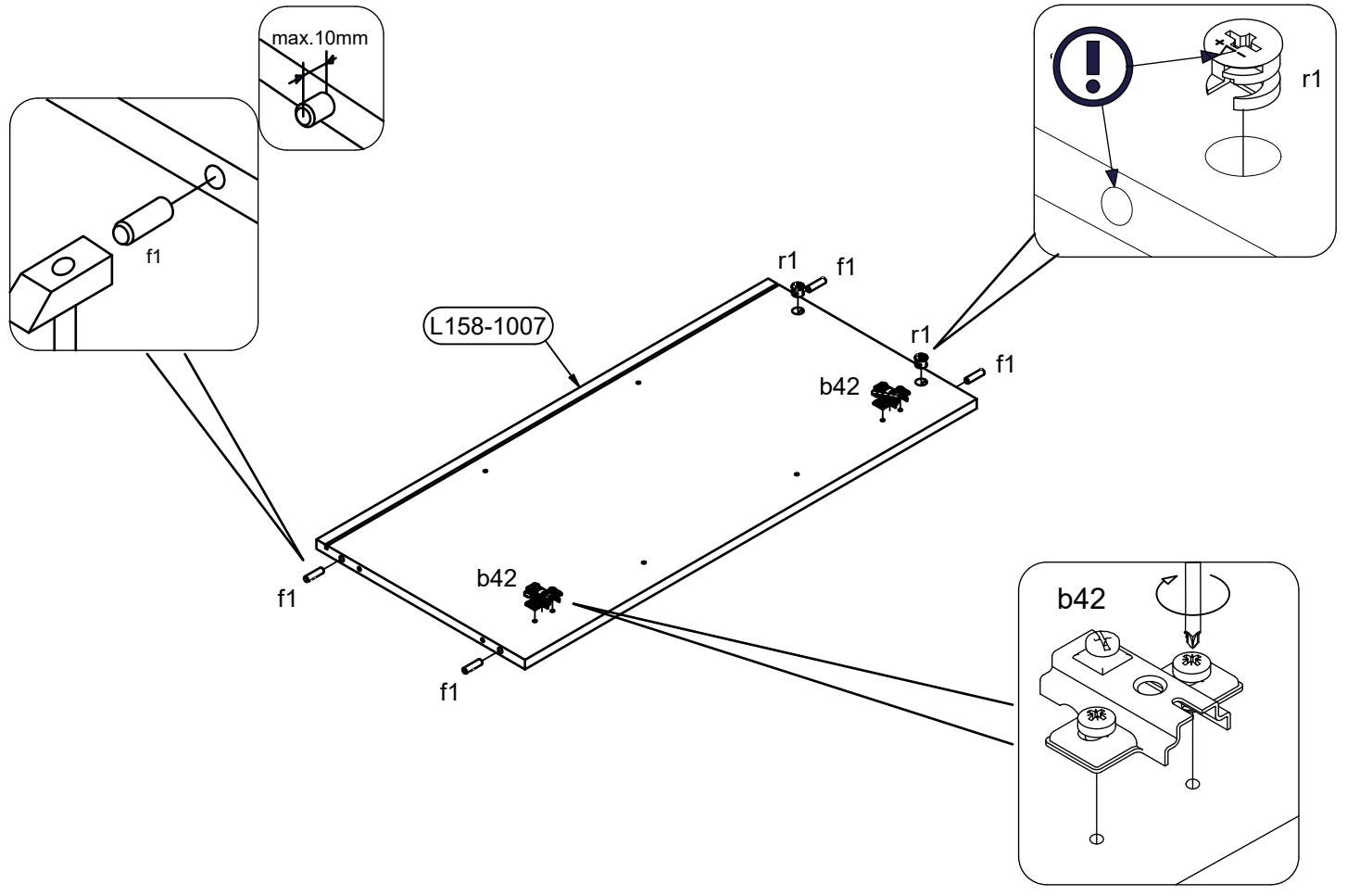
2x



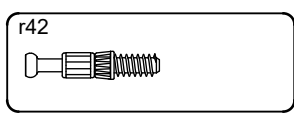
4x



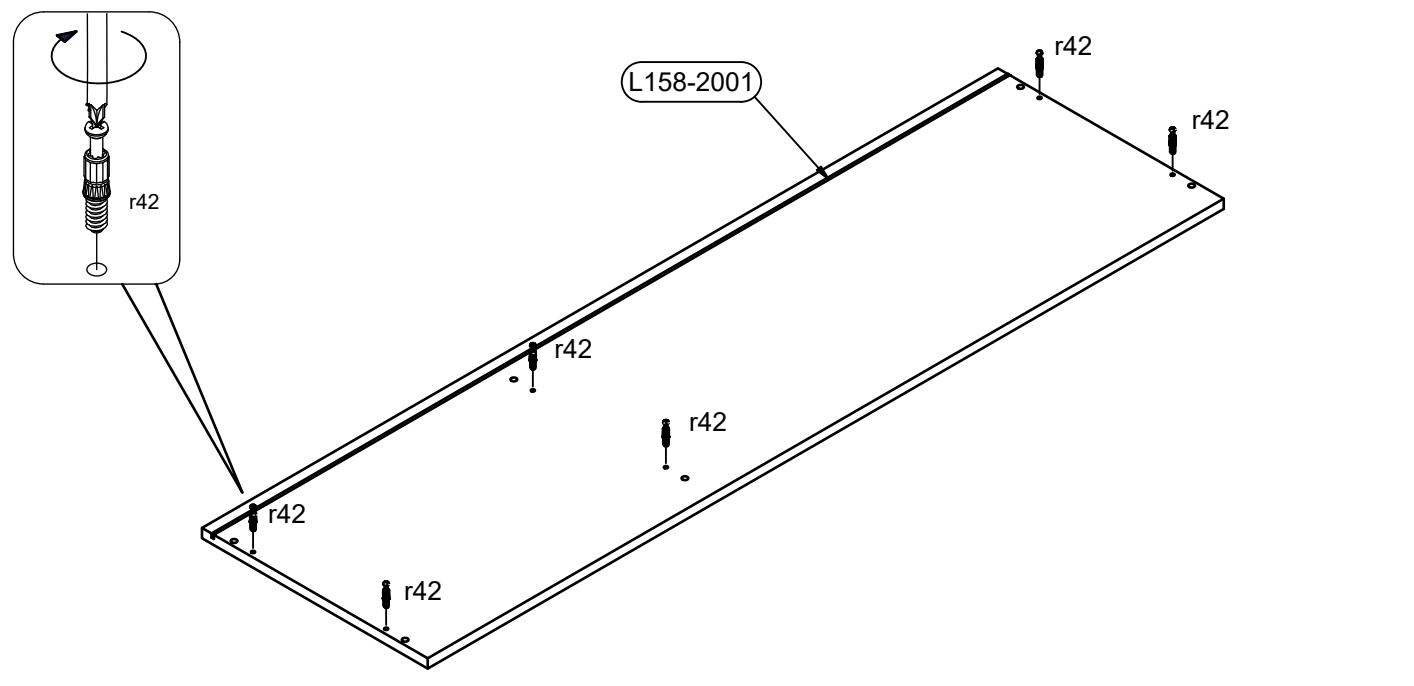
2x



4 




6x




5

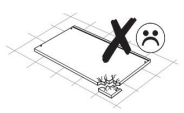
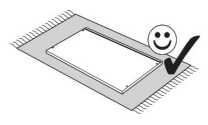
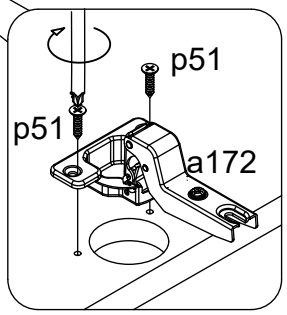
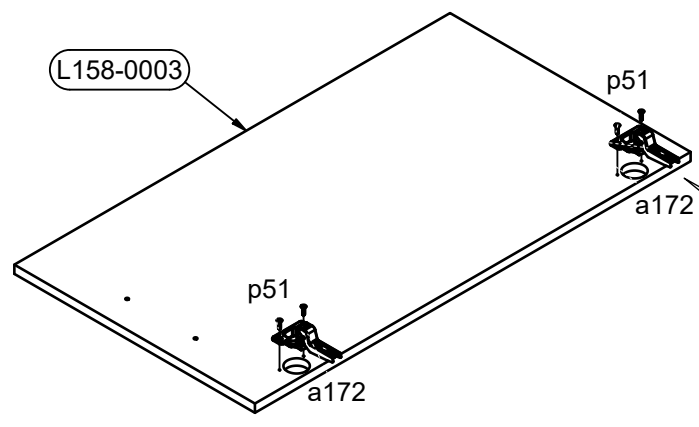


p51

 3.5x15mm

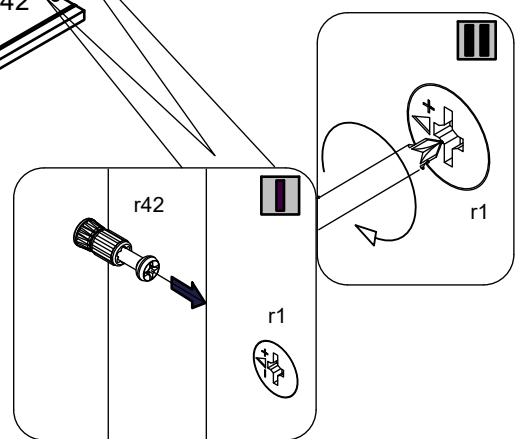
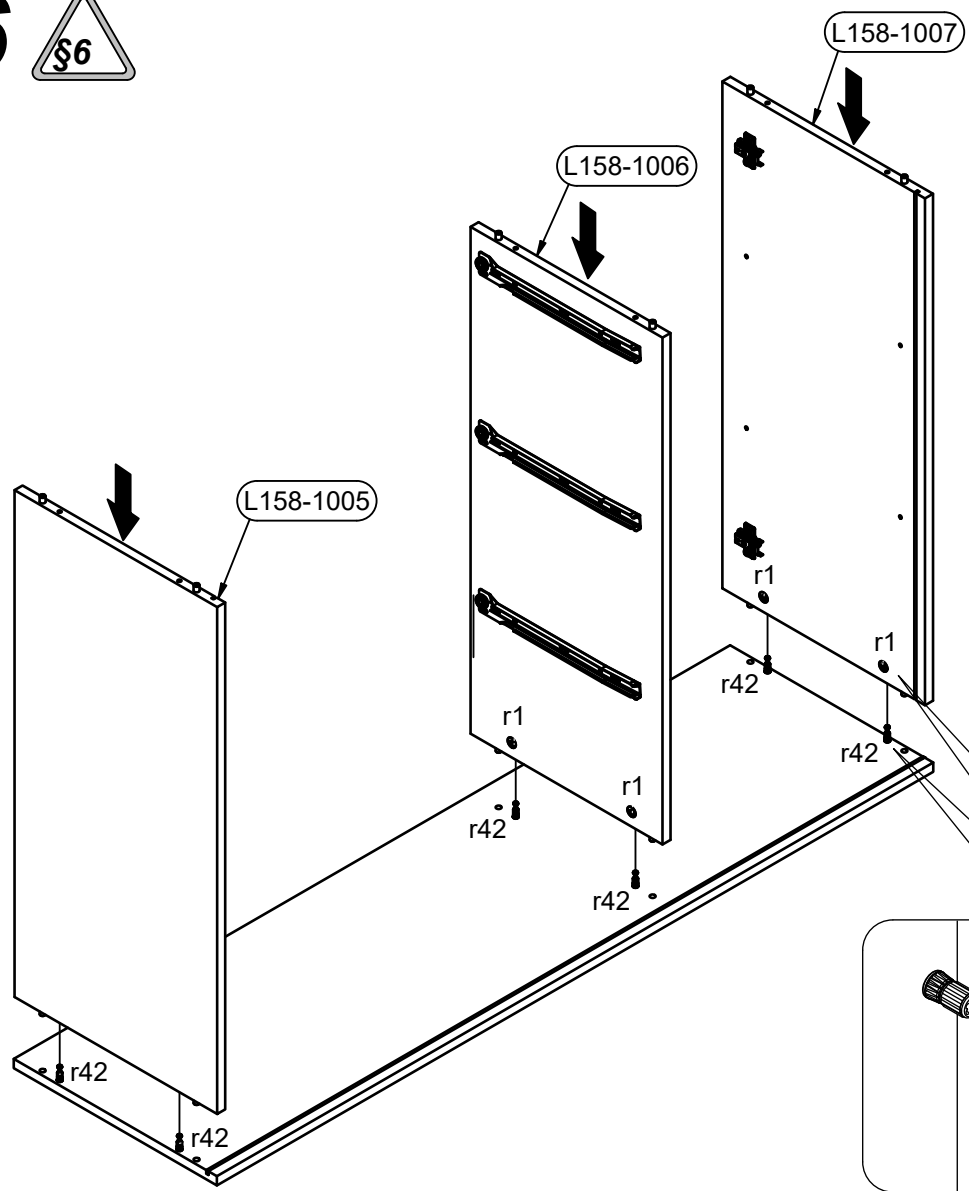
4x

a172


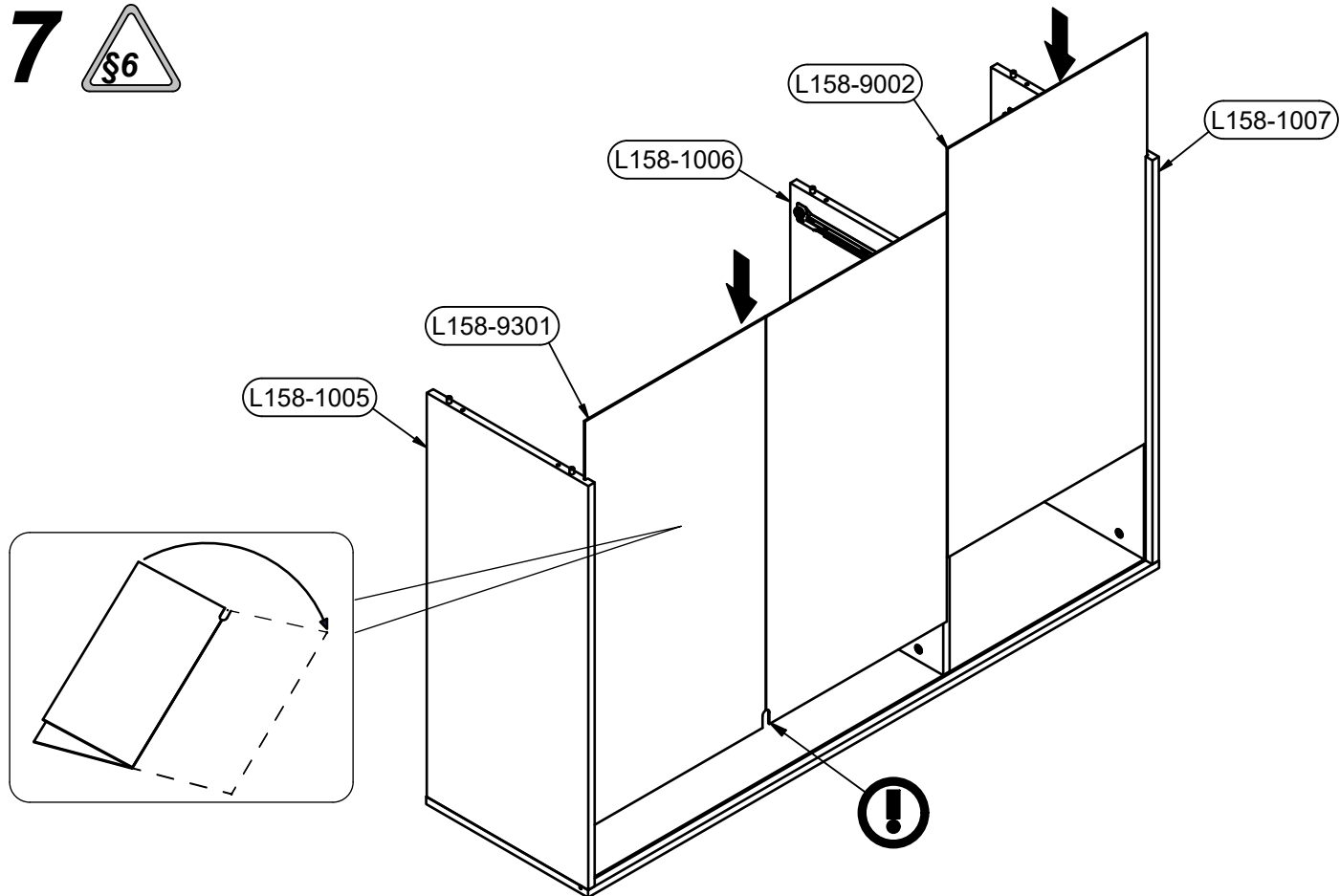
2x



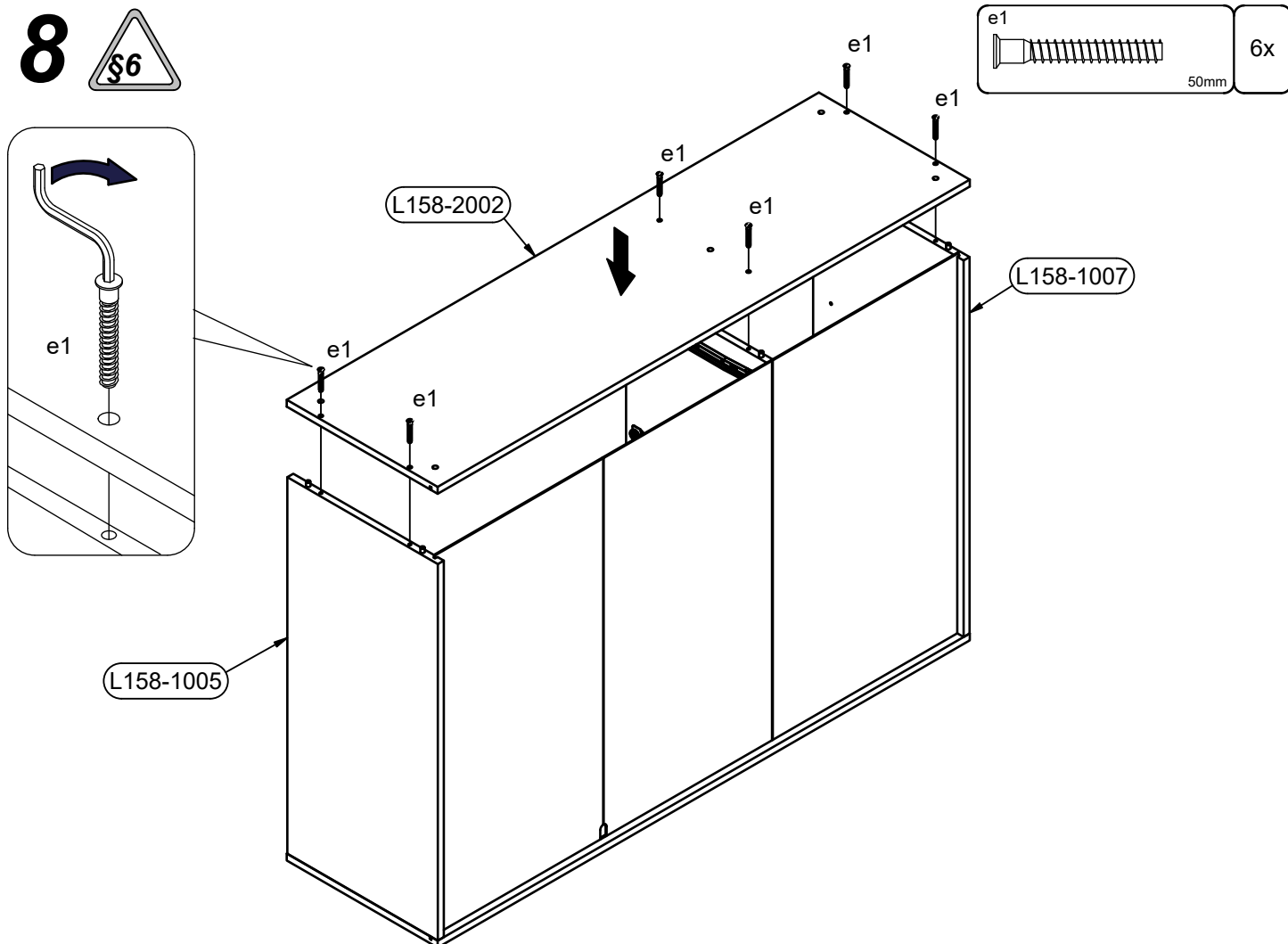
6



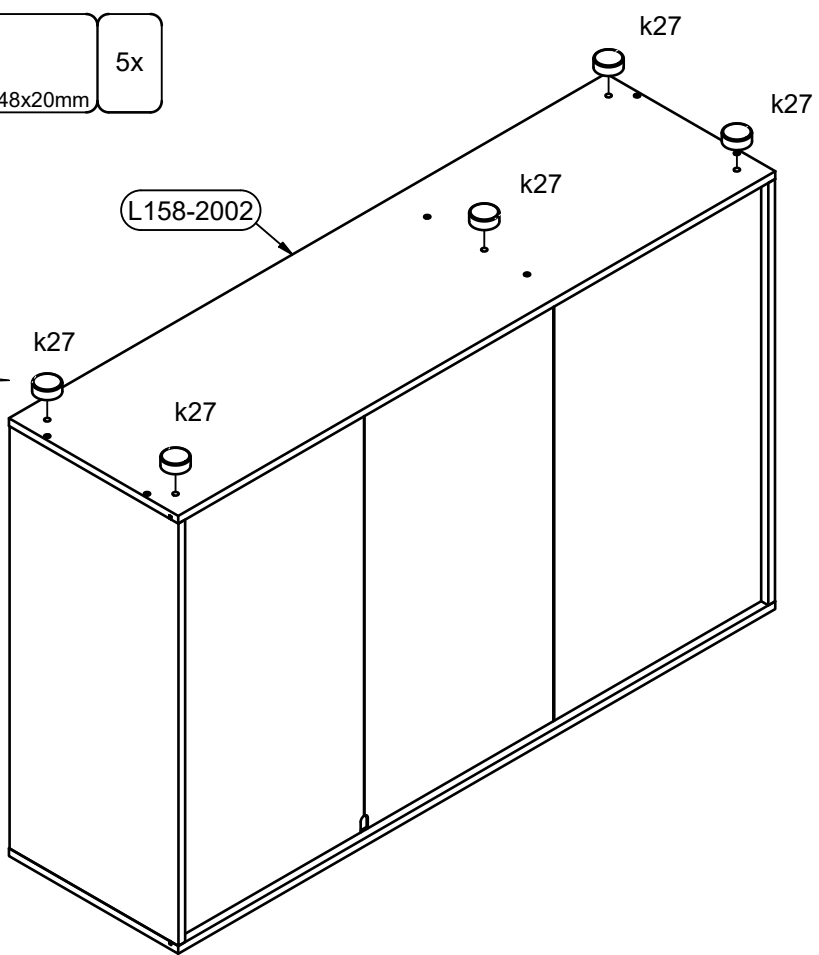
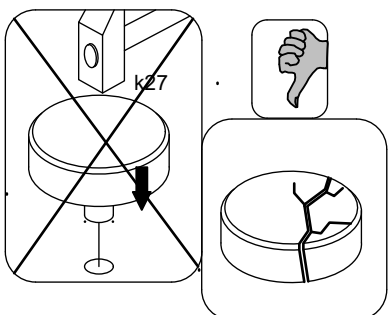
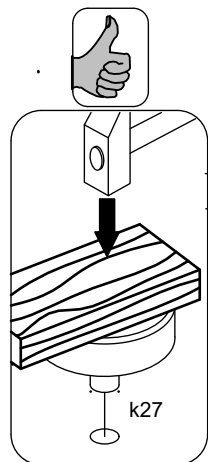
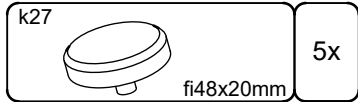
7 



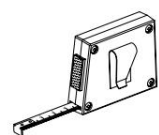
8 



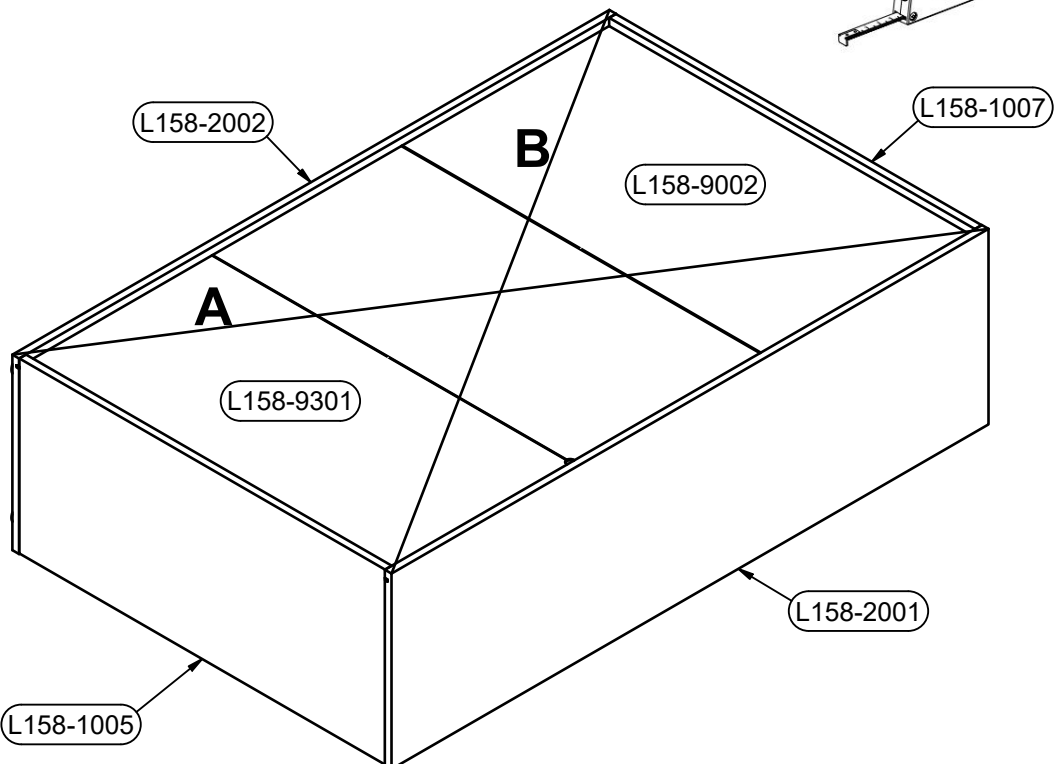
9



10



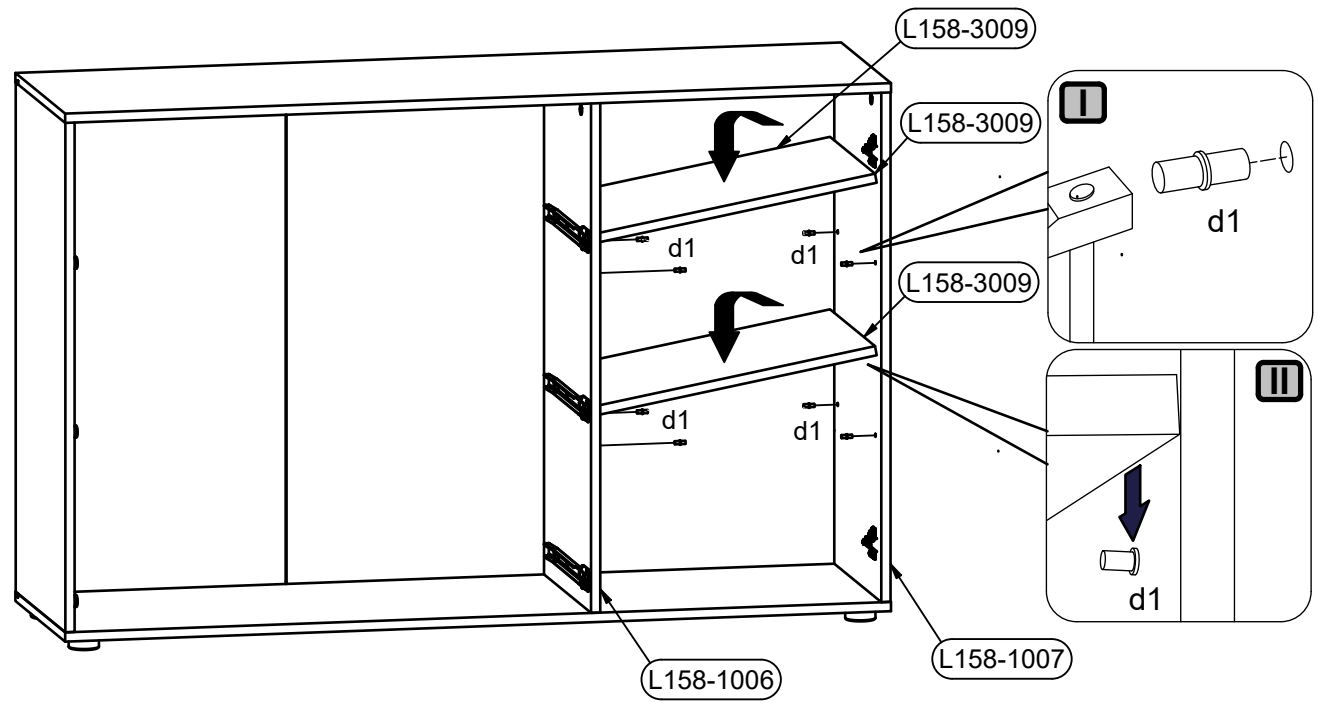
A=B
!



12



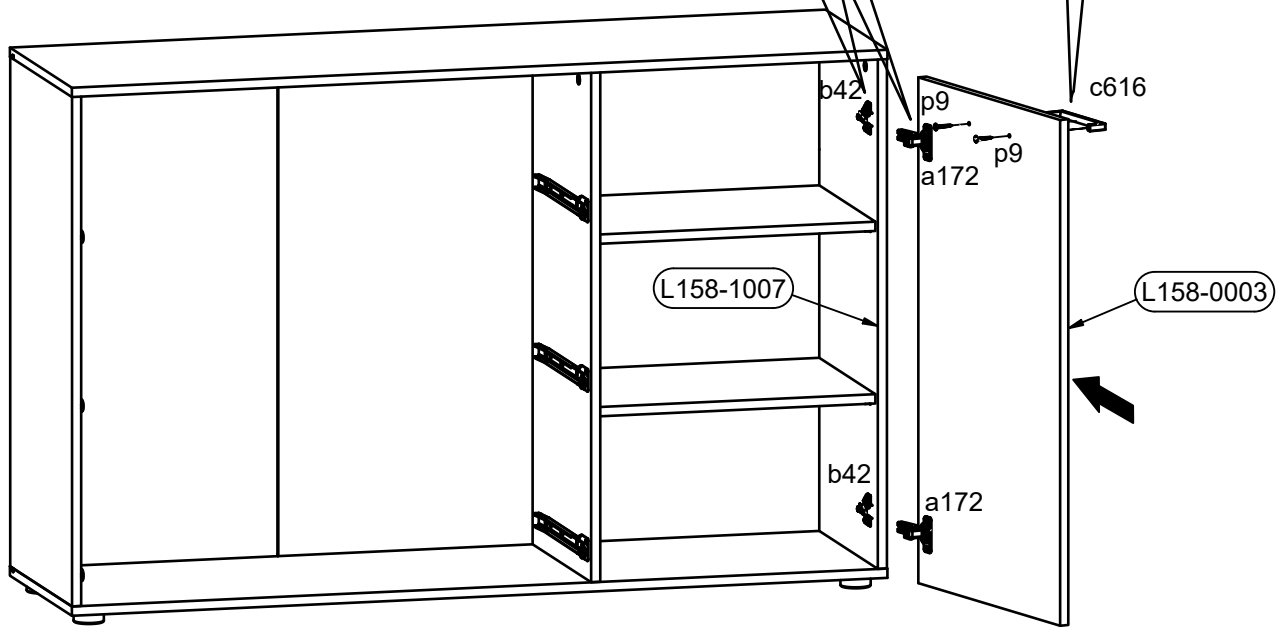
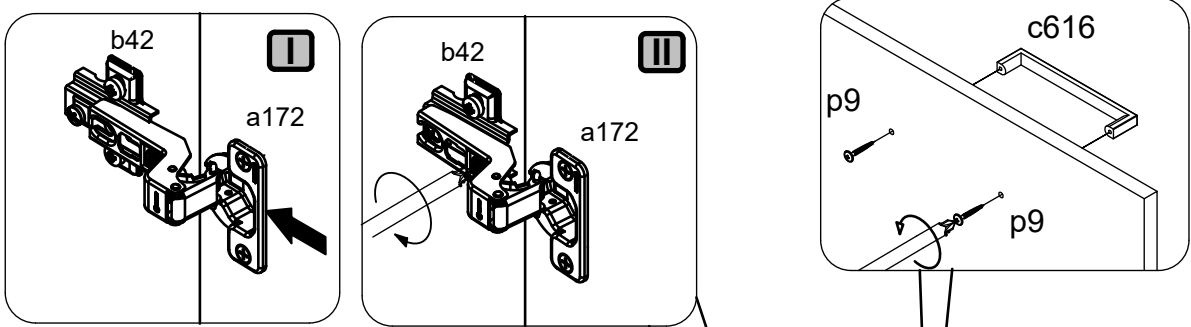
d1		8x
	fi5mm	



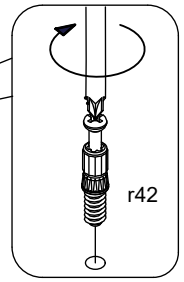
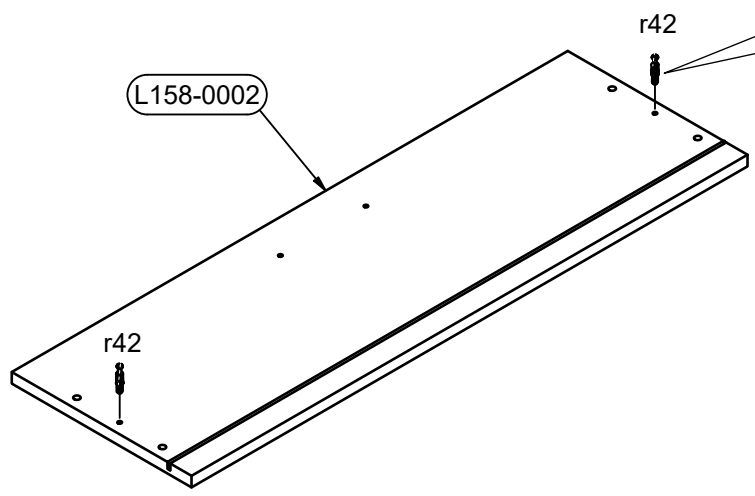
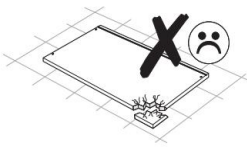
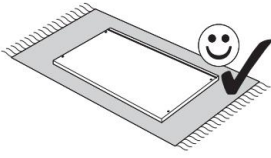
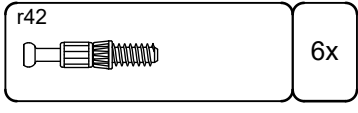
13



p9		2x	c616		1x
	4x30mm		L136/128mm		



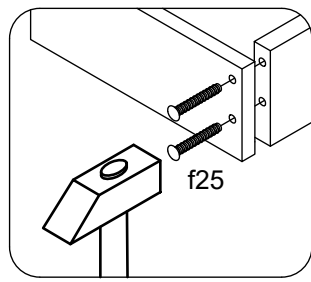
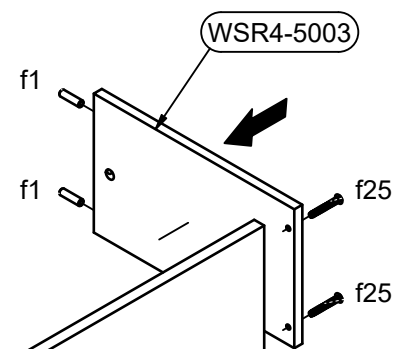
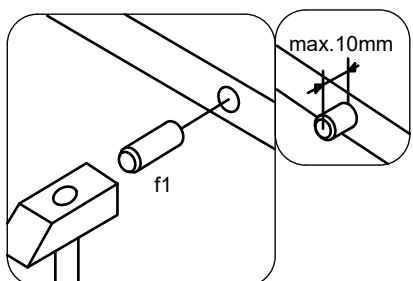
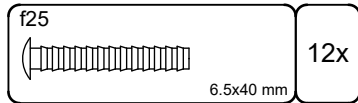
14
3x



15

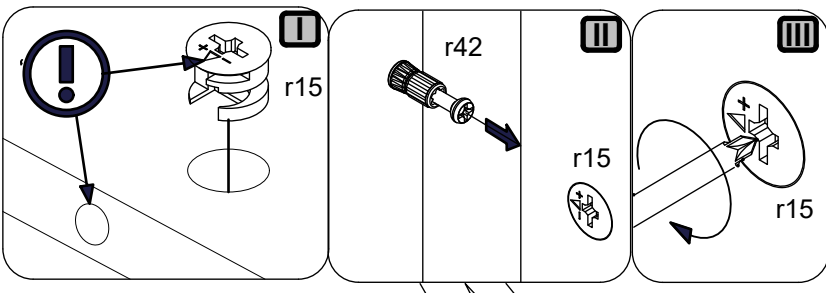


3x



STR-5137

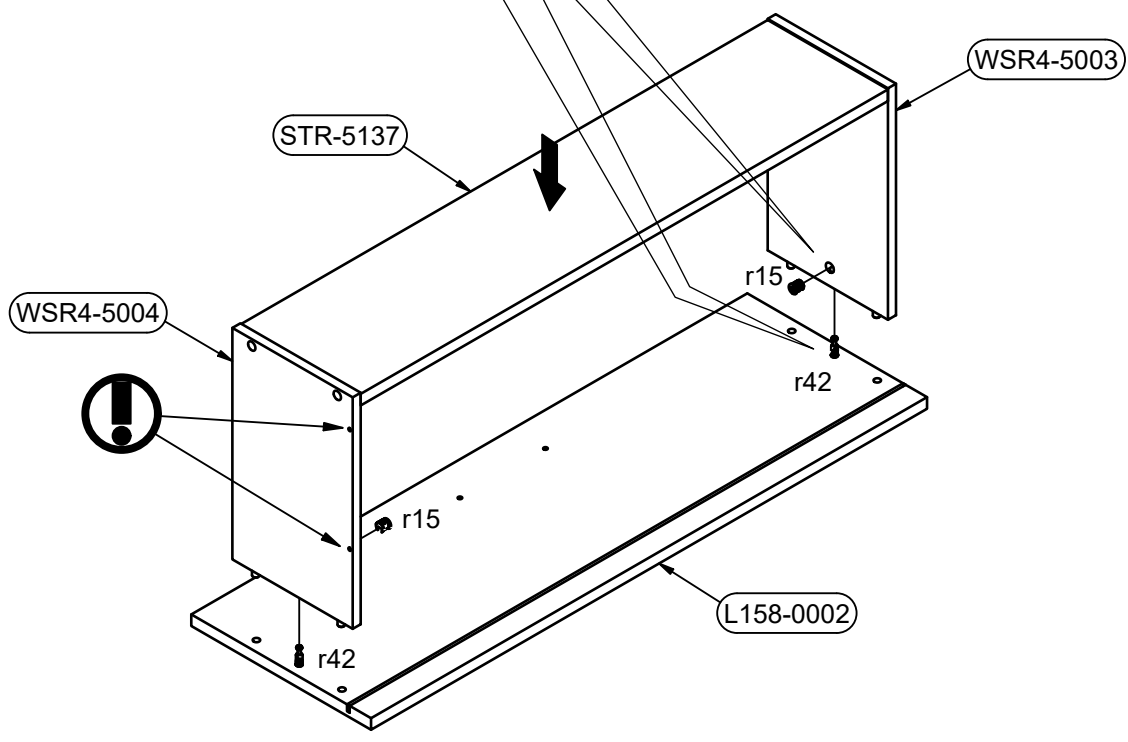
16
3x



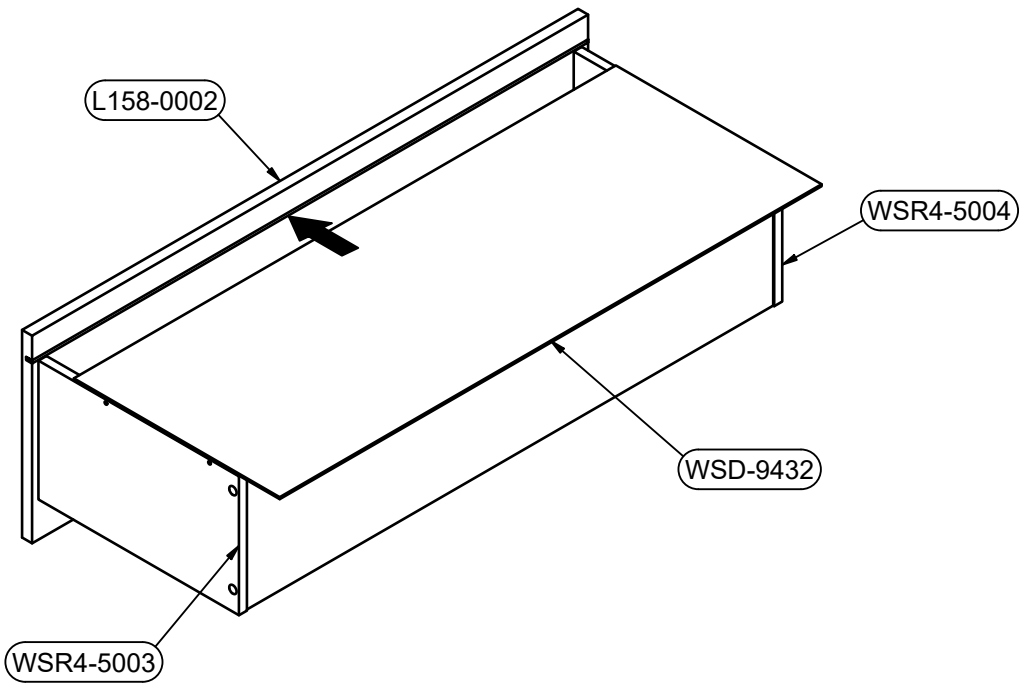
r15

12x10,5mm

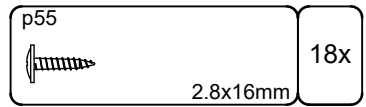
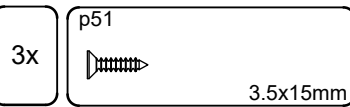
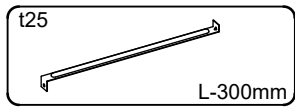
6x



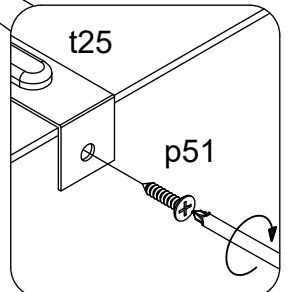
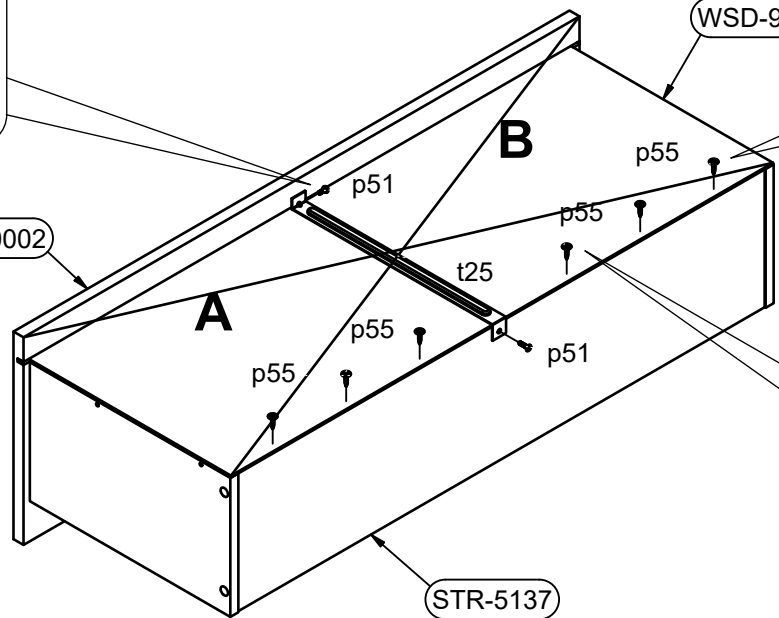
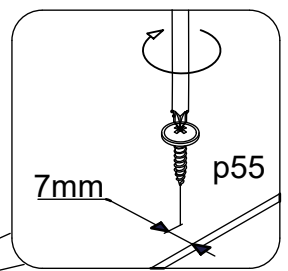
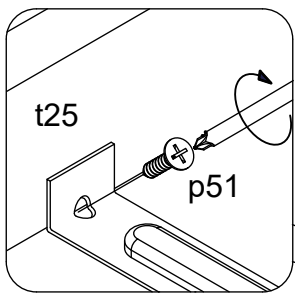
17
3x



18



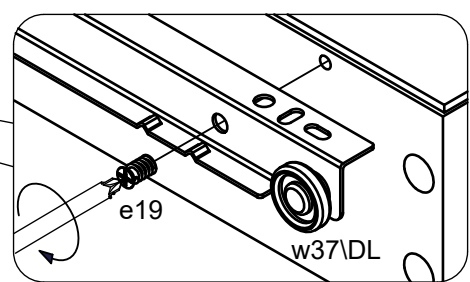
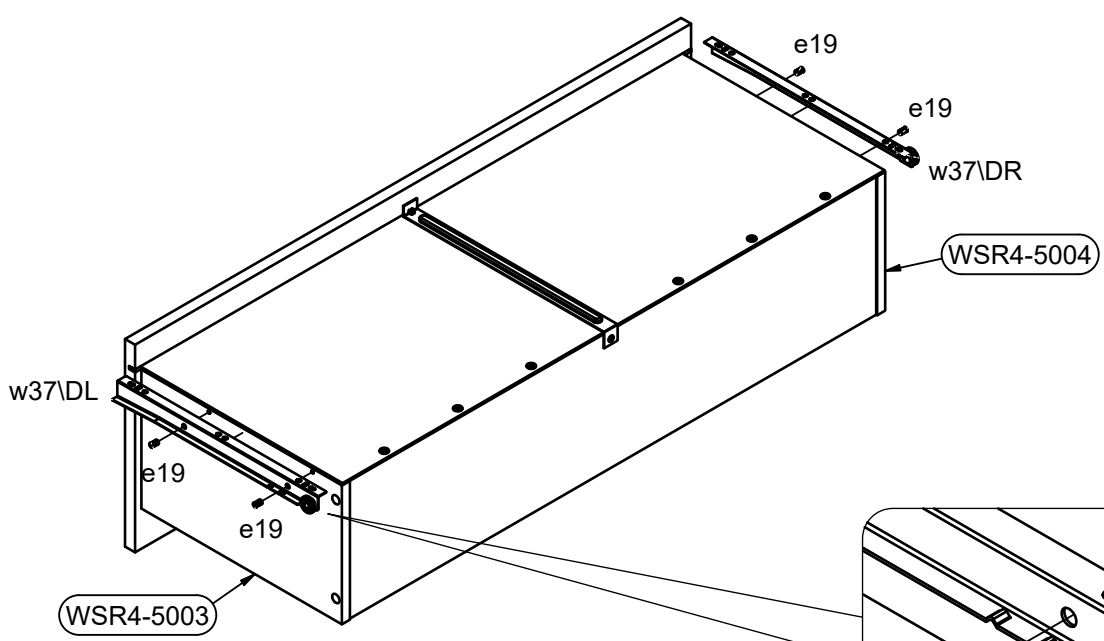
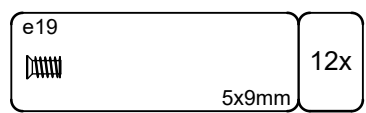
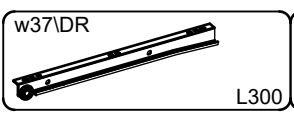
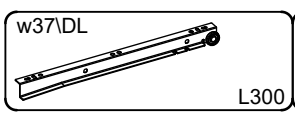
3x





A=B

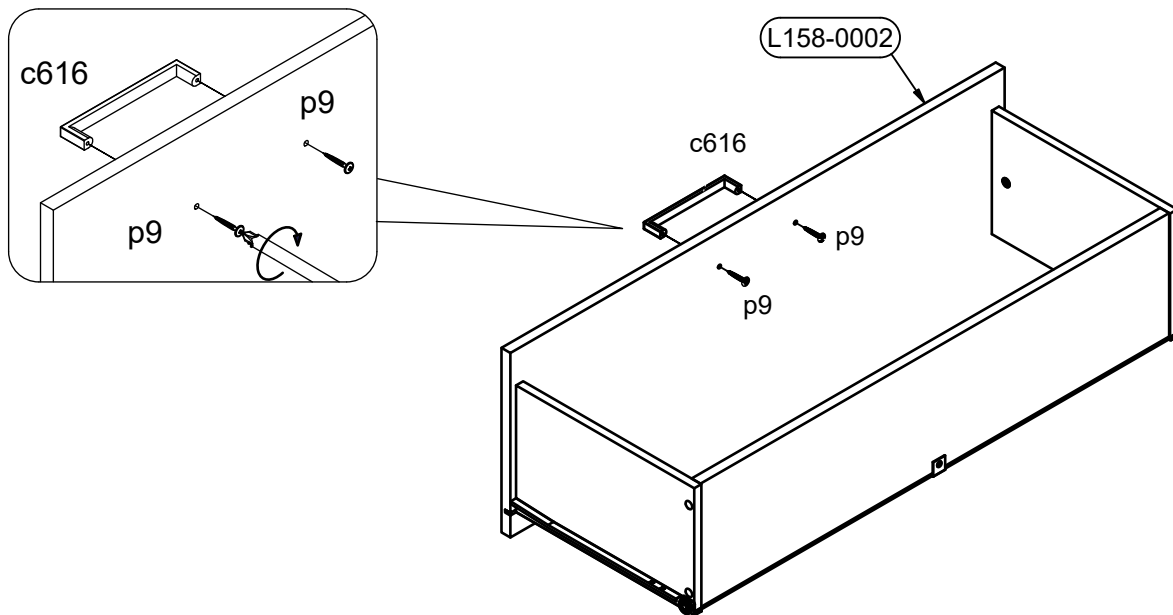
19

3x

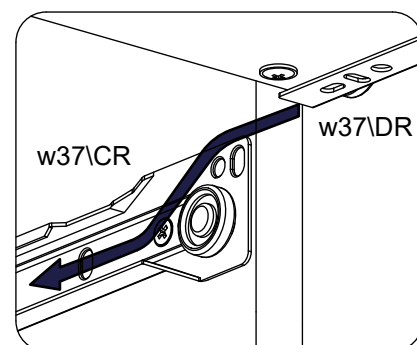
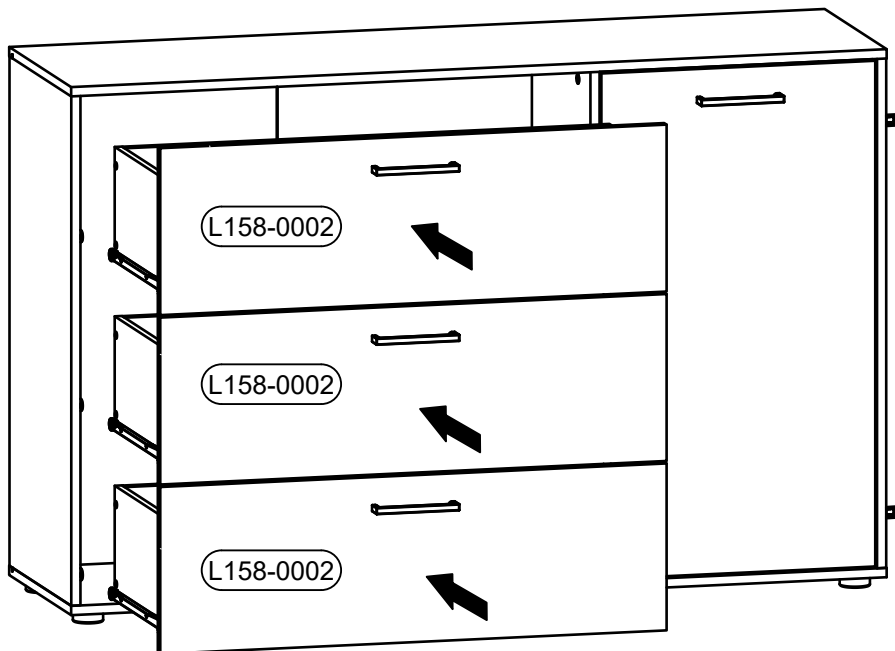


20

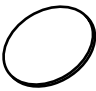
c616  L136/128mm	3x	p9  4x30mm	6x
---	----	---	----

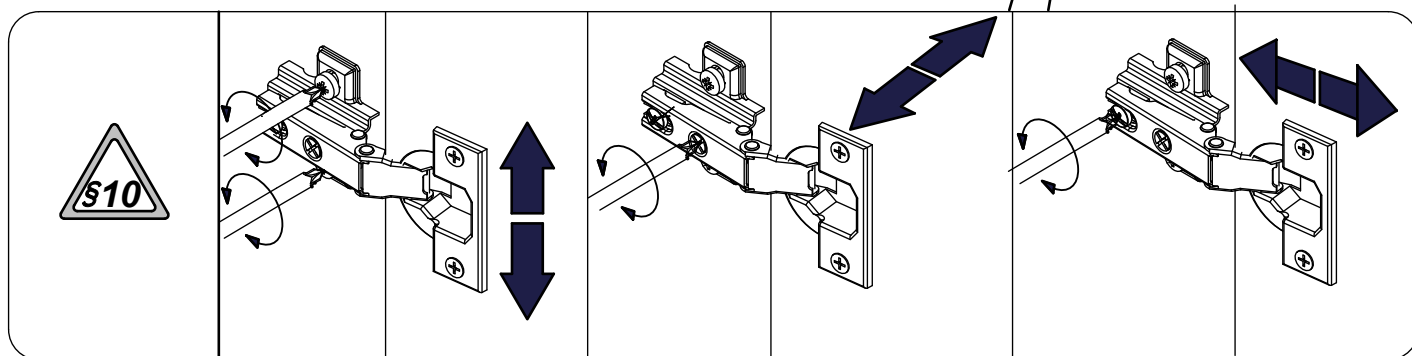
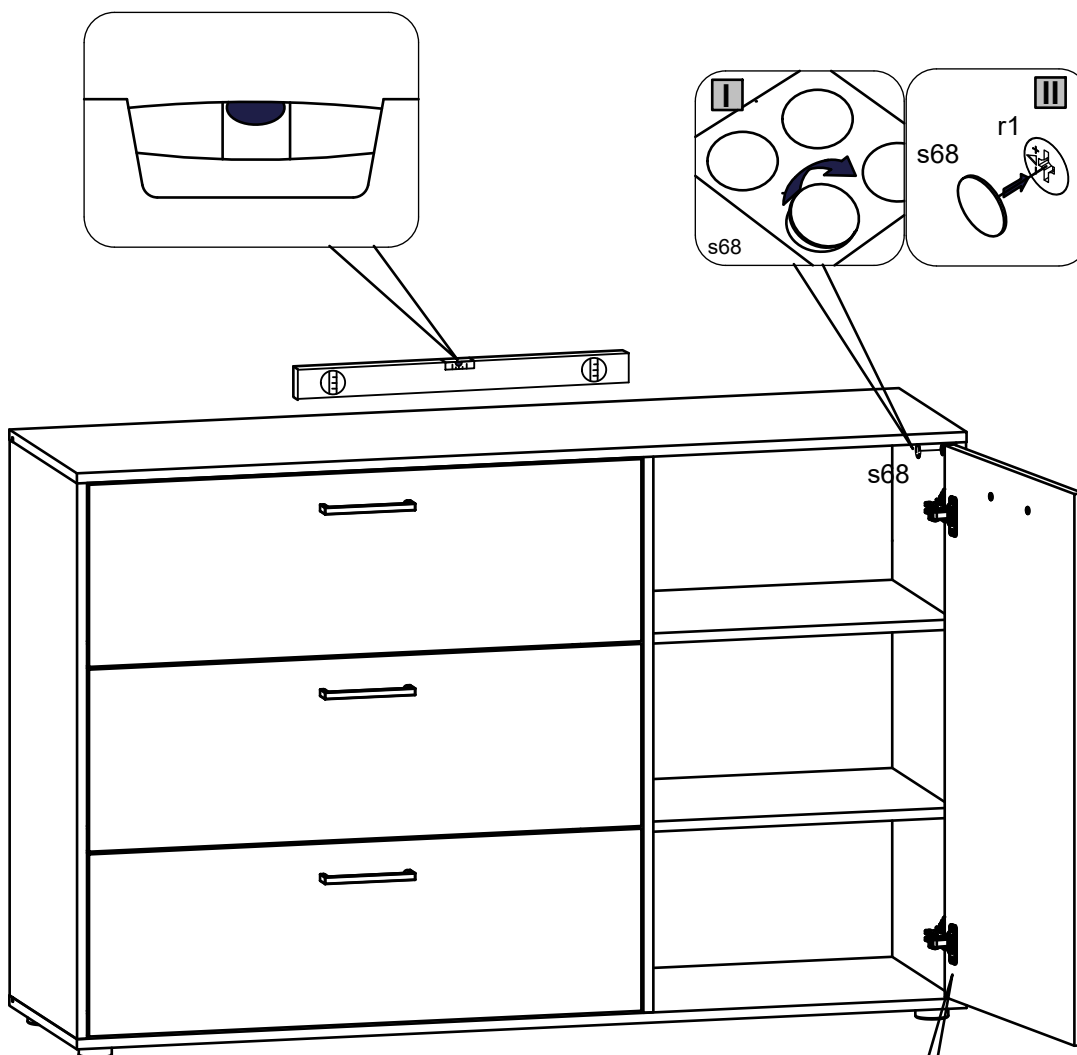


21

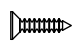
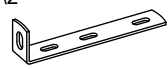


22

s68		2x
	Ø20mm	



23

<p>p51  3.5x15mm</p>	<p>2x</p>	<p>n14\2 </p>	<p>1x</p>
---	-----------	--	-----------

