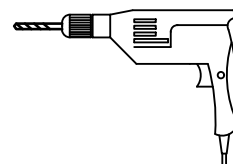
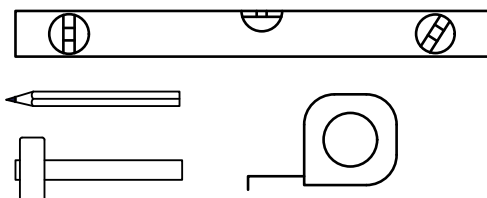
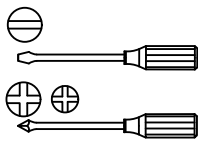
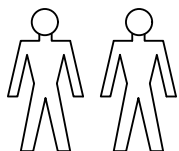
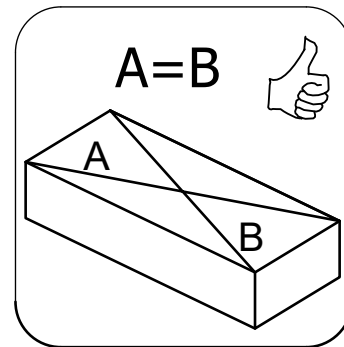
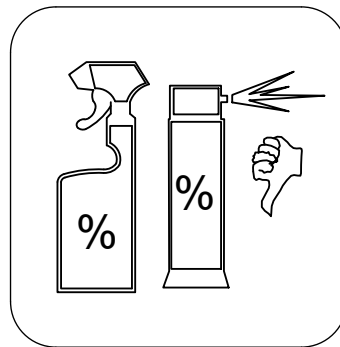
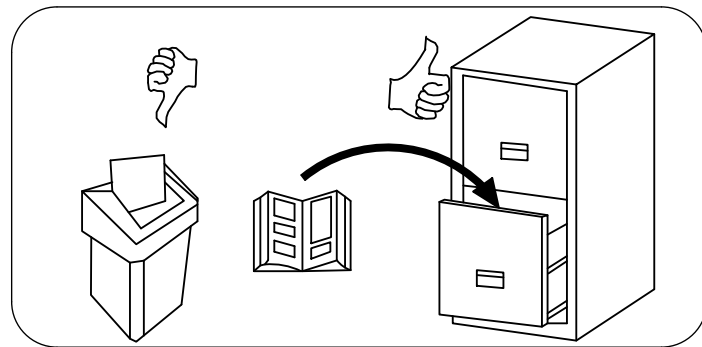
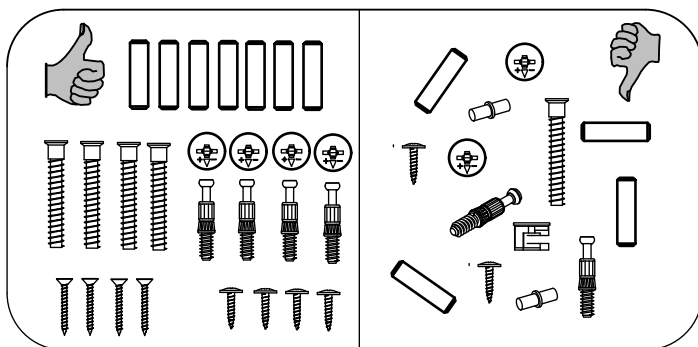
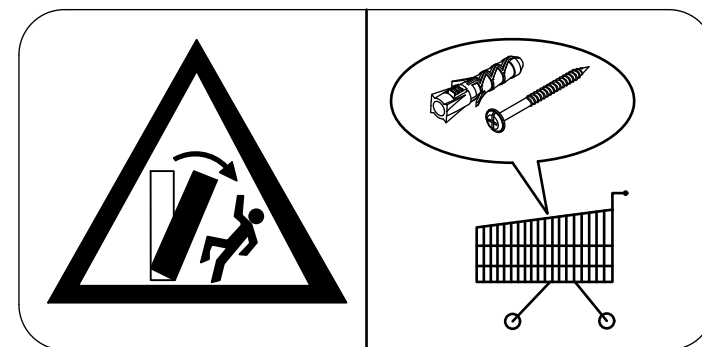
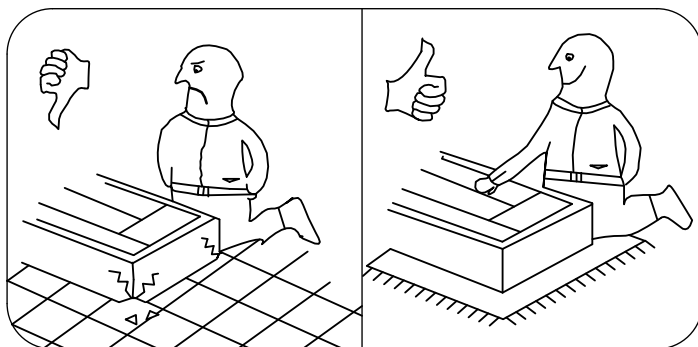
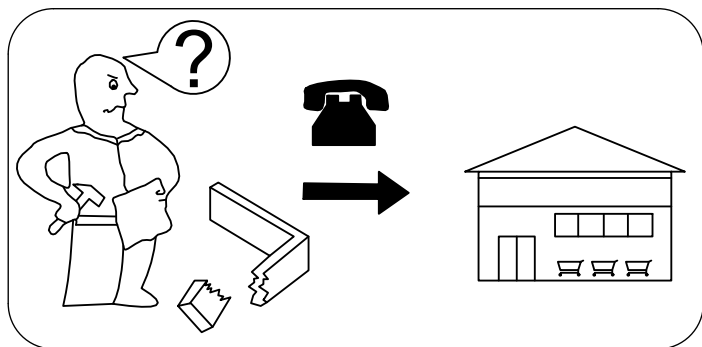
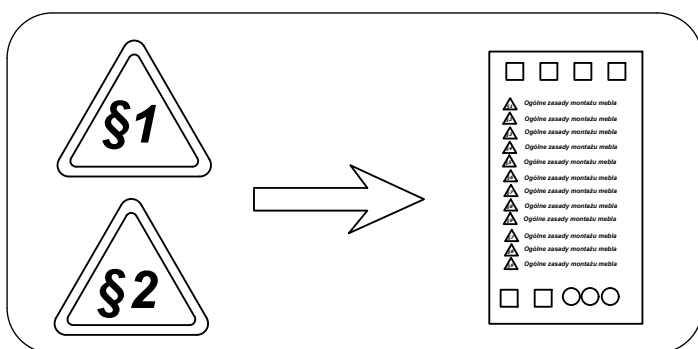
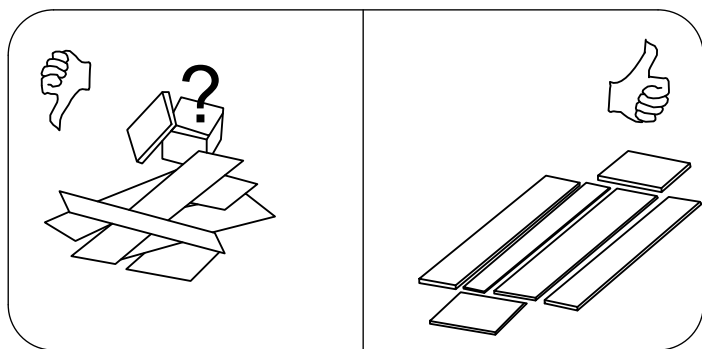
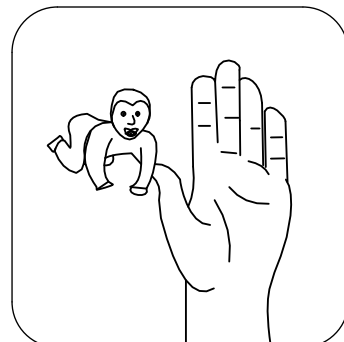
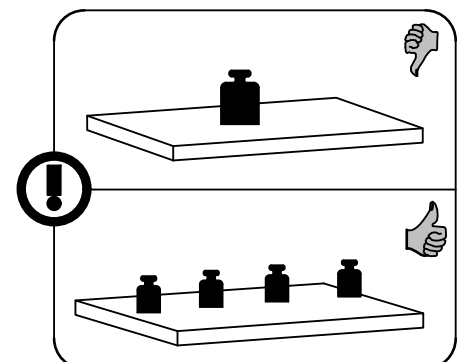
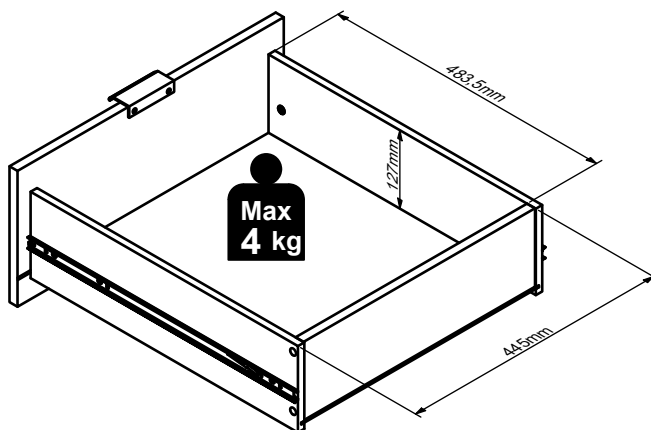
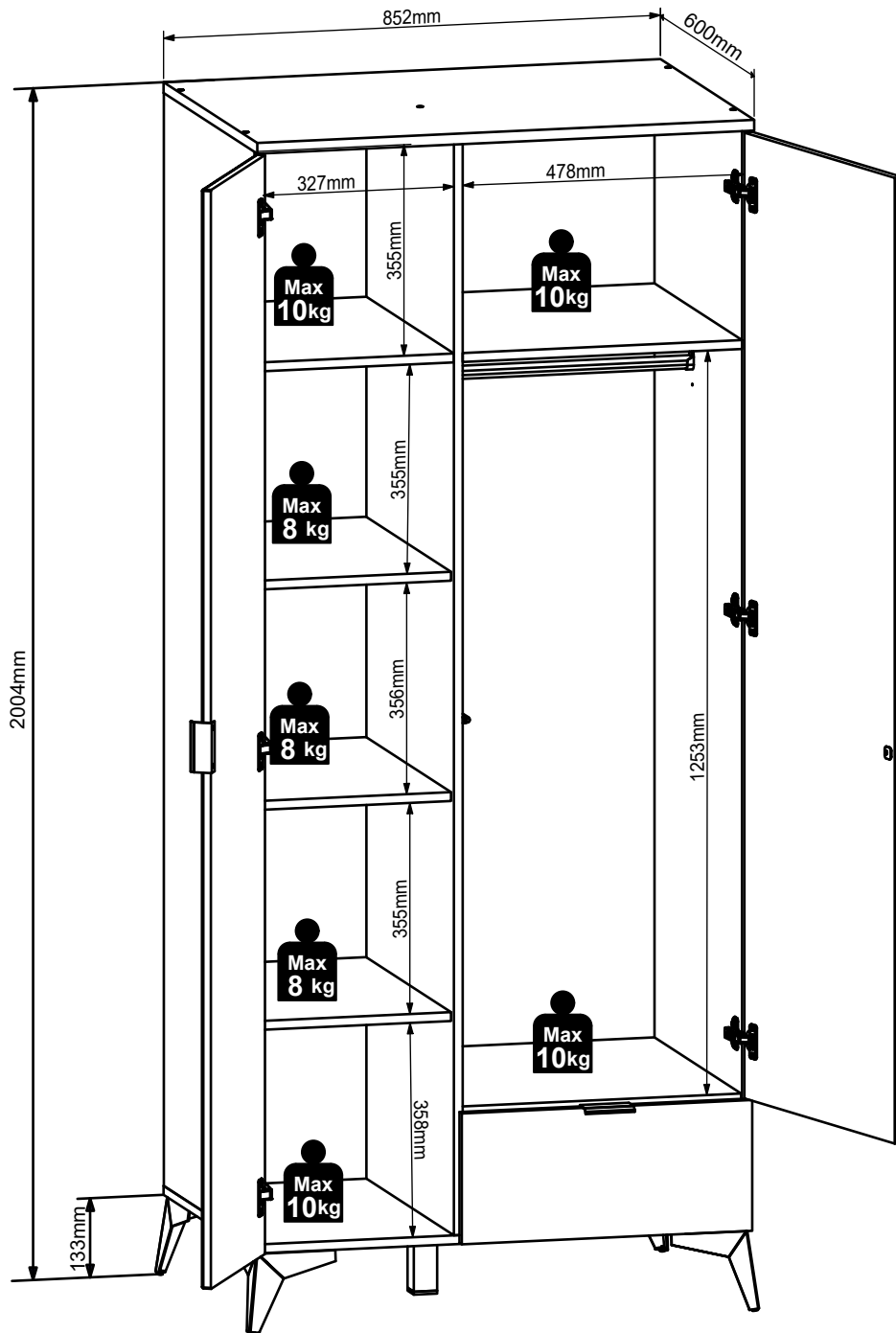


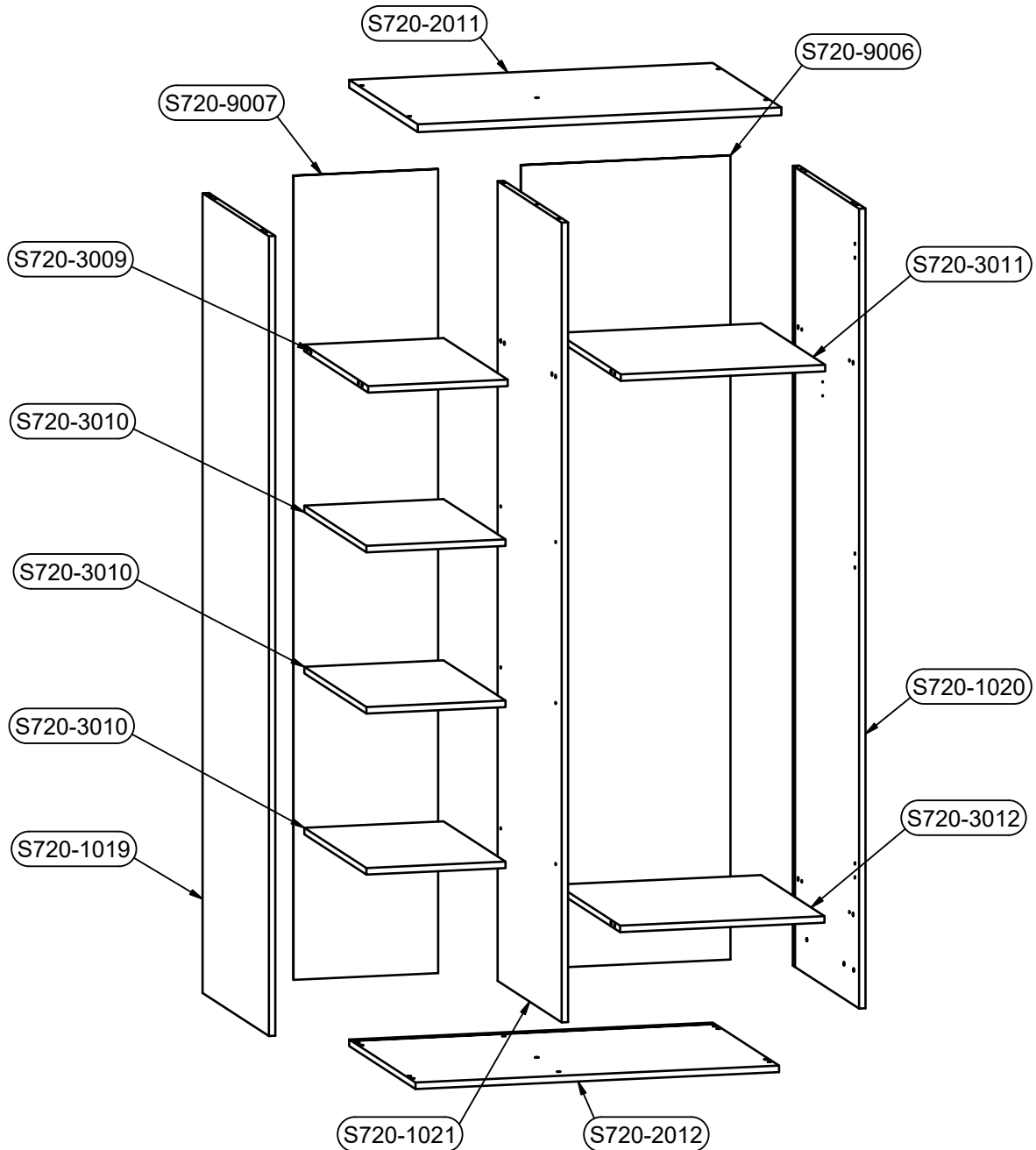
90min

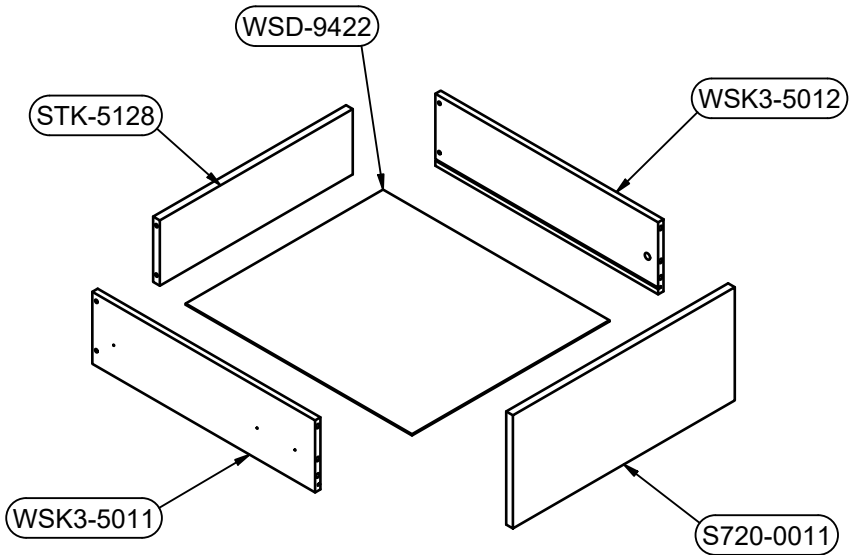
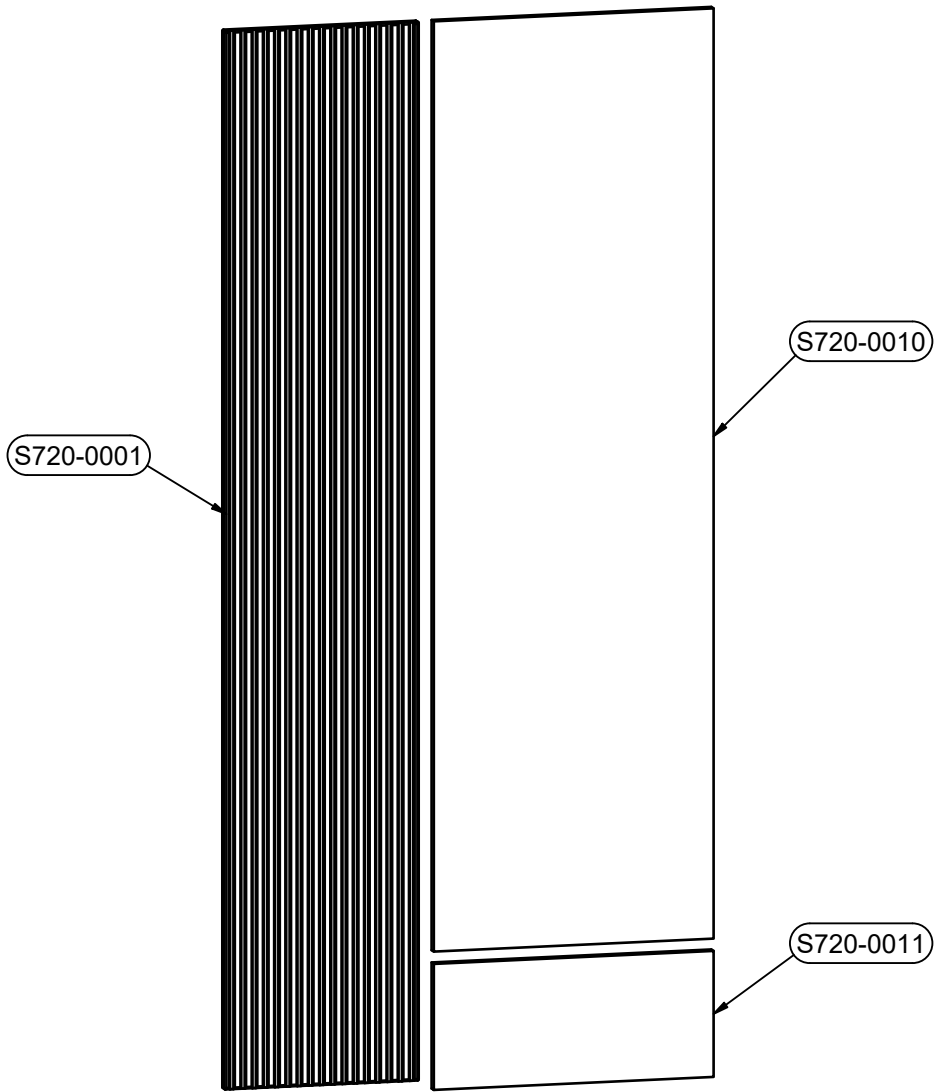





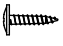
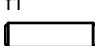


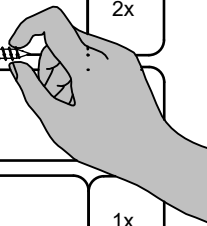
B1	B2	C1	C2	C3	C4	D
S720-0001	-.1	1848	346	16	1	3/4
S720-0010	-	1624	498	15	1	3/4
S720-0011	-	498	220	15	1	3/4
S720-1019	-.2	1838	580	15	1	2/4
S720-1020	-.1	1838	580	15	1	2/4
S720-1021	-	1838	560	15	1	3/4
S720-2011	-.2	852	600	18	1	1/4
S720-2012	-.1	852	580	15	1	1/4
S720-3009	-	327	560	15	1	1/4
S720-3010	-	326	543	15	3	1/4
S720-3011	-	479	560	15	1	1/4
S720-3012	-	479	554	15	1	1/4
S720-9006	-	1848	491	2,5	1	2/4
S720-9007	-	1848	339	2,5	1	2/4
STK-5128	-	433	127	15	1	1/4
WSD-9422	-	443	508	2,5	1	1/4
WSK3-5011	-.4	500	140	12	1	3/4
WSK3-5012	-.4	500	140	12	1	3/4



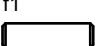





1:1

p16		2x
p55		
f1		1x

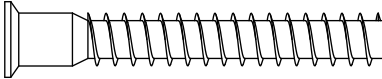


p16		2x
p55		1x
f1		1x



D
4/4

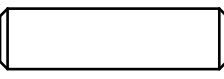
e1



50mm

10x

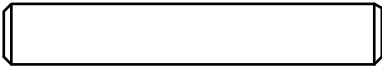
f1



30mm

24x

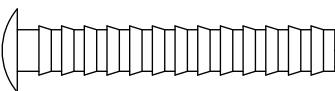
f6



50mm

2x


f25



6.5x40 mm

4x

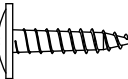
p51



3.5x15mm

18x


p55



2.9x16mm

25x


p131



Ø4x16 mm

20x

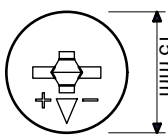
p1



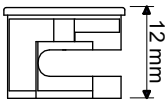
Ø3.5x13 mm

16x

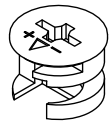
r1



15mm



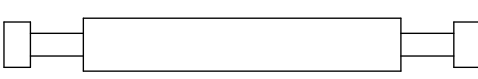
12mm



15x12mm

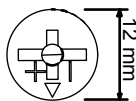
12x

r10

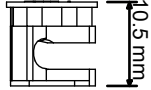


2x


r15



12mm



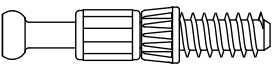
10.5mm



12x10,5mm

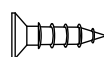
2x

r42



10x

z28\4



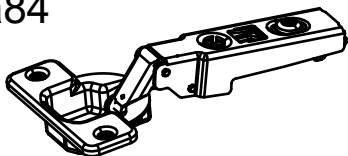
3x12mm

3x



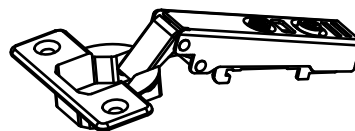
~~1:1~~

a84



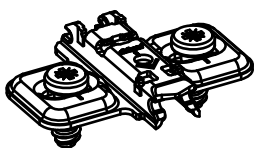
3x

a204



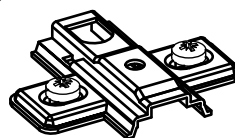
3x

b31



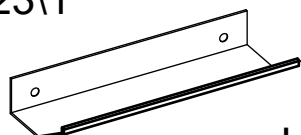
3x

b90



3x

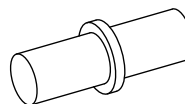
c623\1



L84/64mm

2x

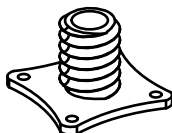
d1



fi5mm

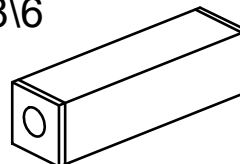
12x

k148\1



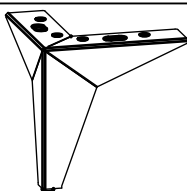
1x

k148\6



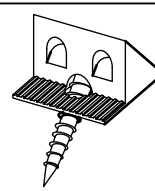
1x

k158\2



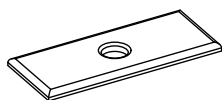
4x

l2



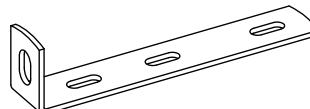
14x

n108



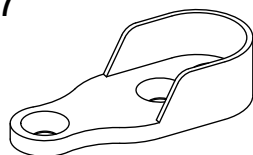
12x

n14\2



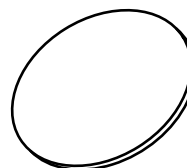
1x

n267



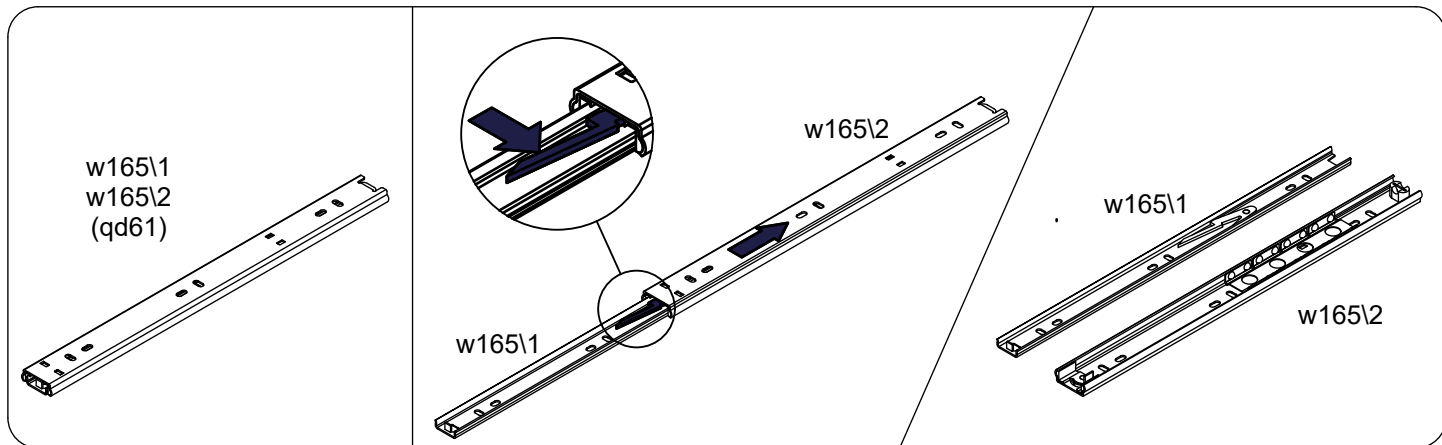
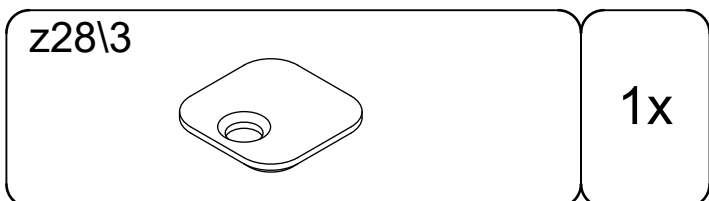
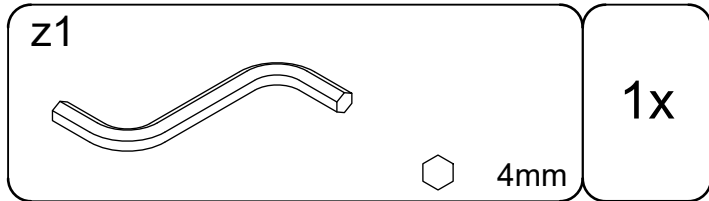
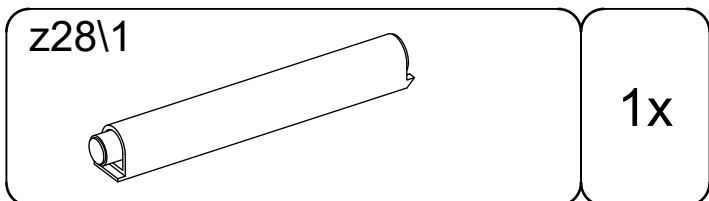
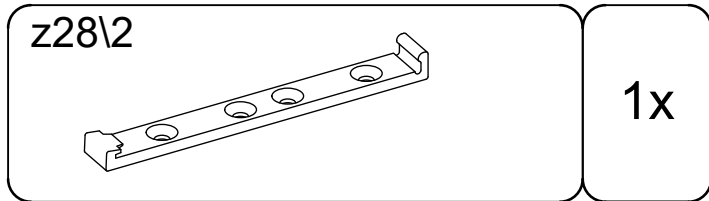
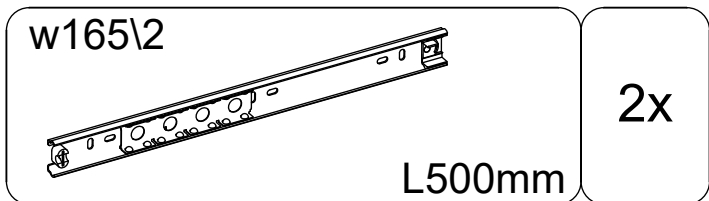
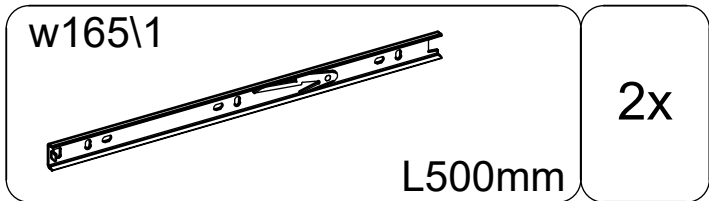
2x

s68

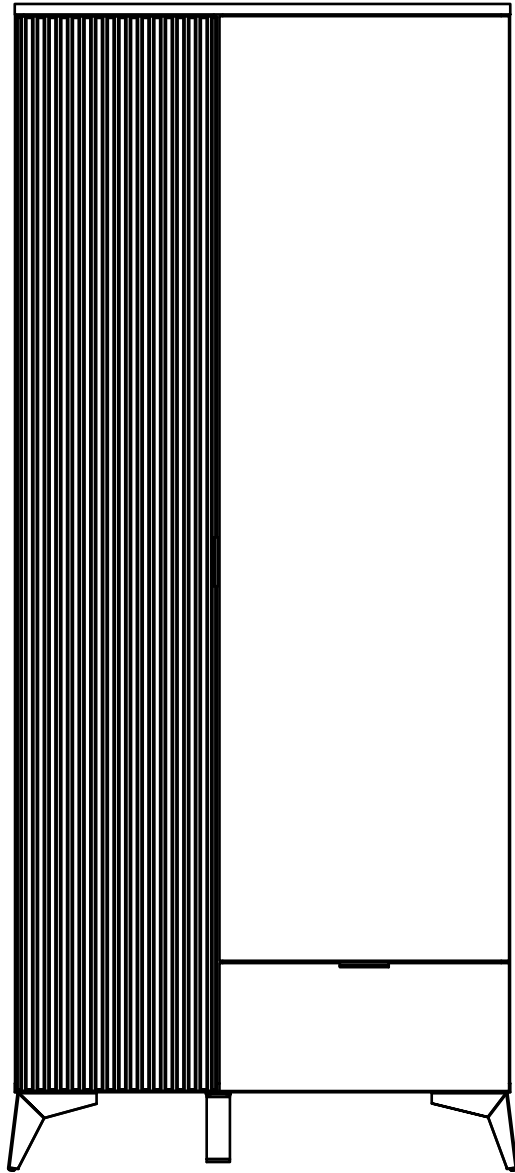


Ø20mm

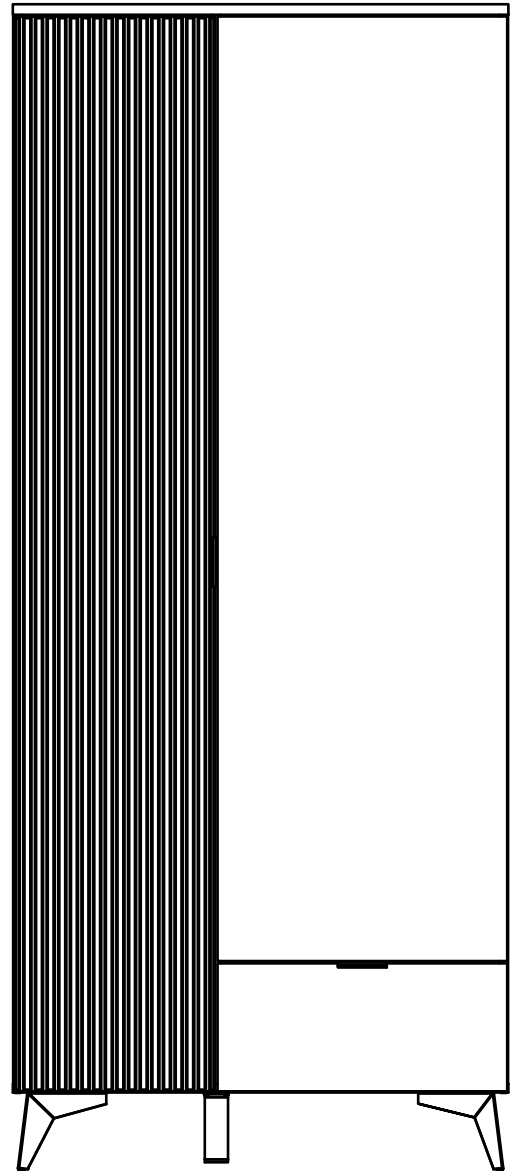
8x

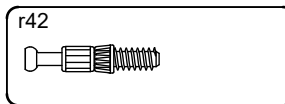


A

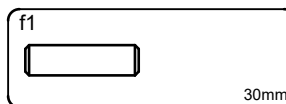


B

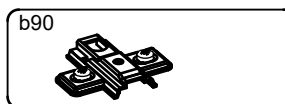




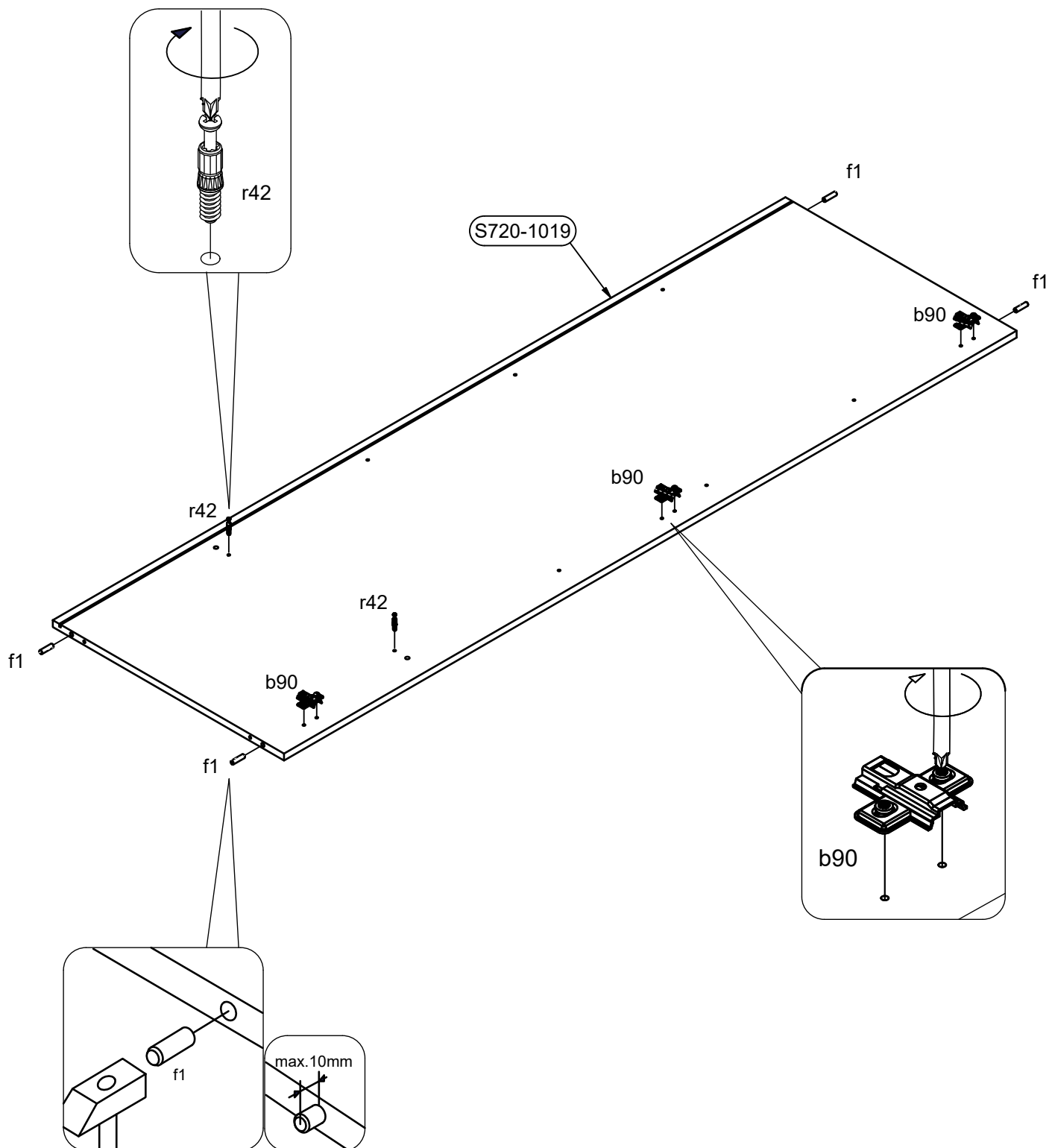
2x



4x



3x



b31



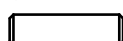
3x

r42



4x

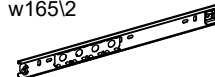
f1



30mm

4x

w165\2



L500

1x



n267



1x

p51



Ø3.5x15 mm

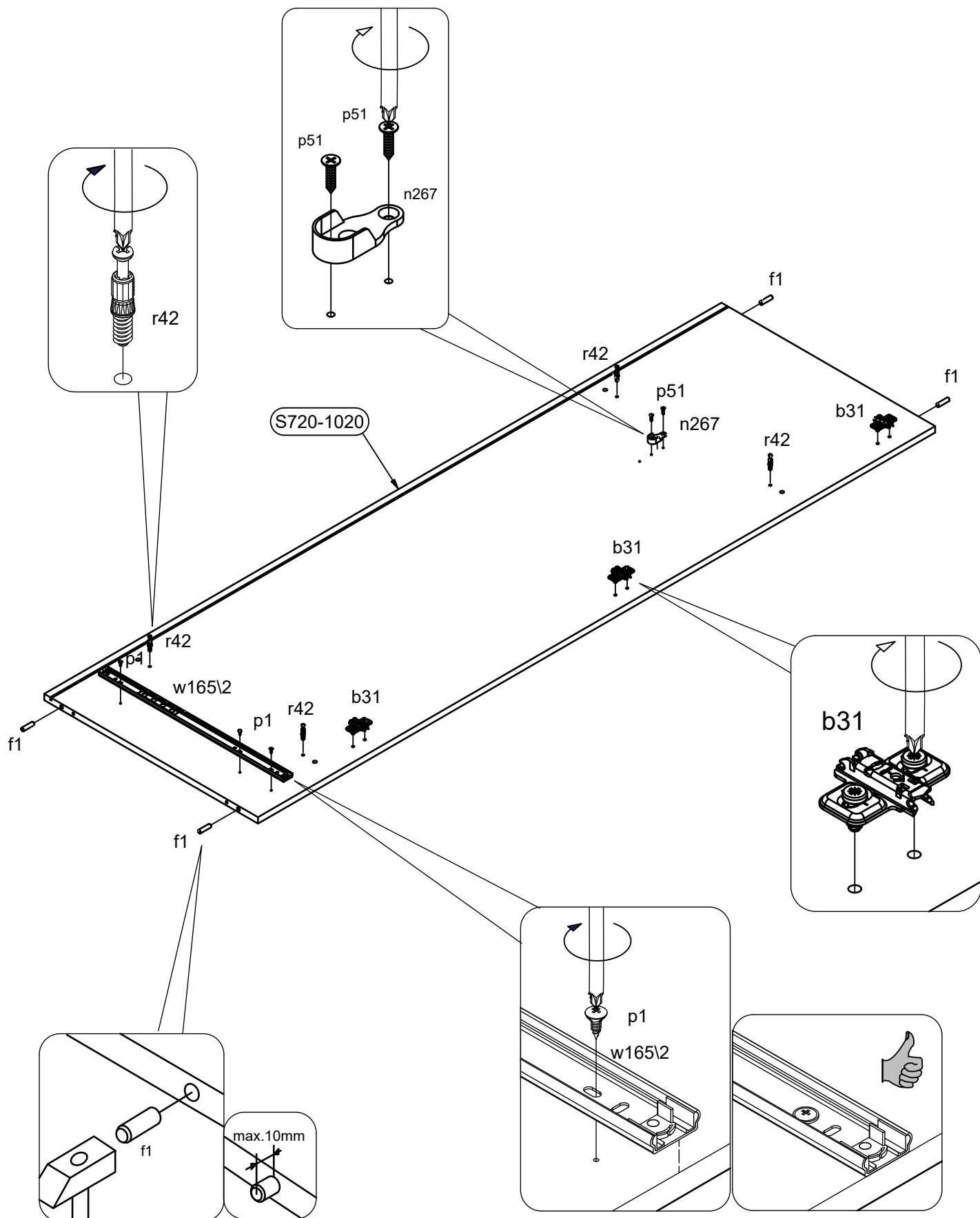
2x

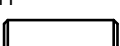





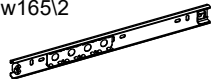

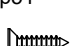
p1



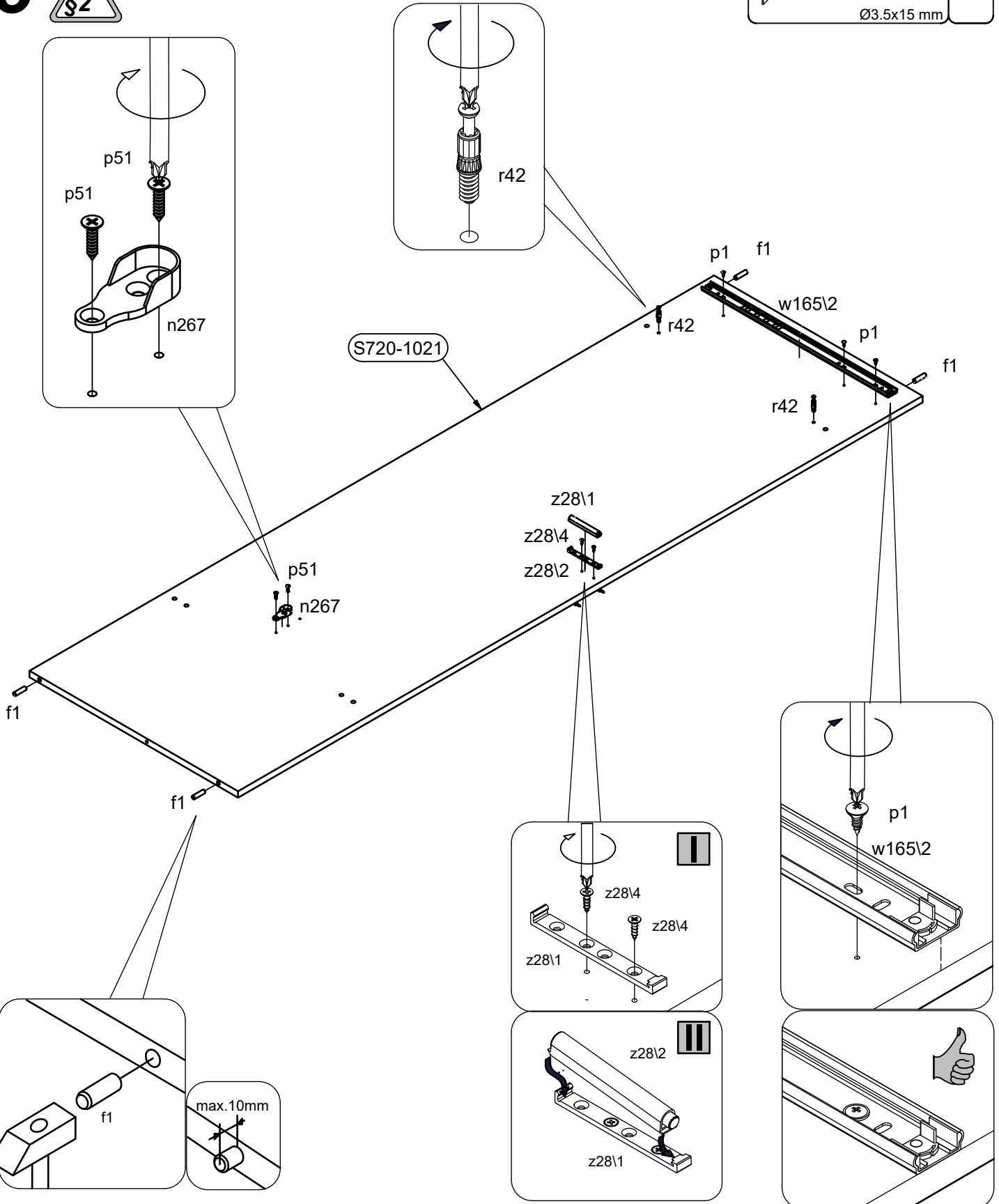
Ø3.5x13 mm

3x

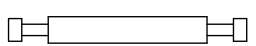
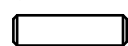


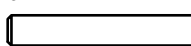


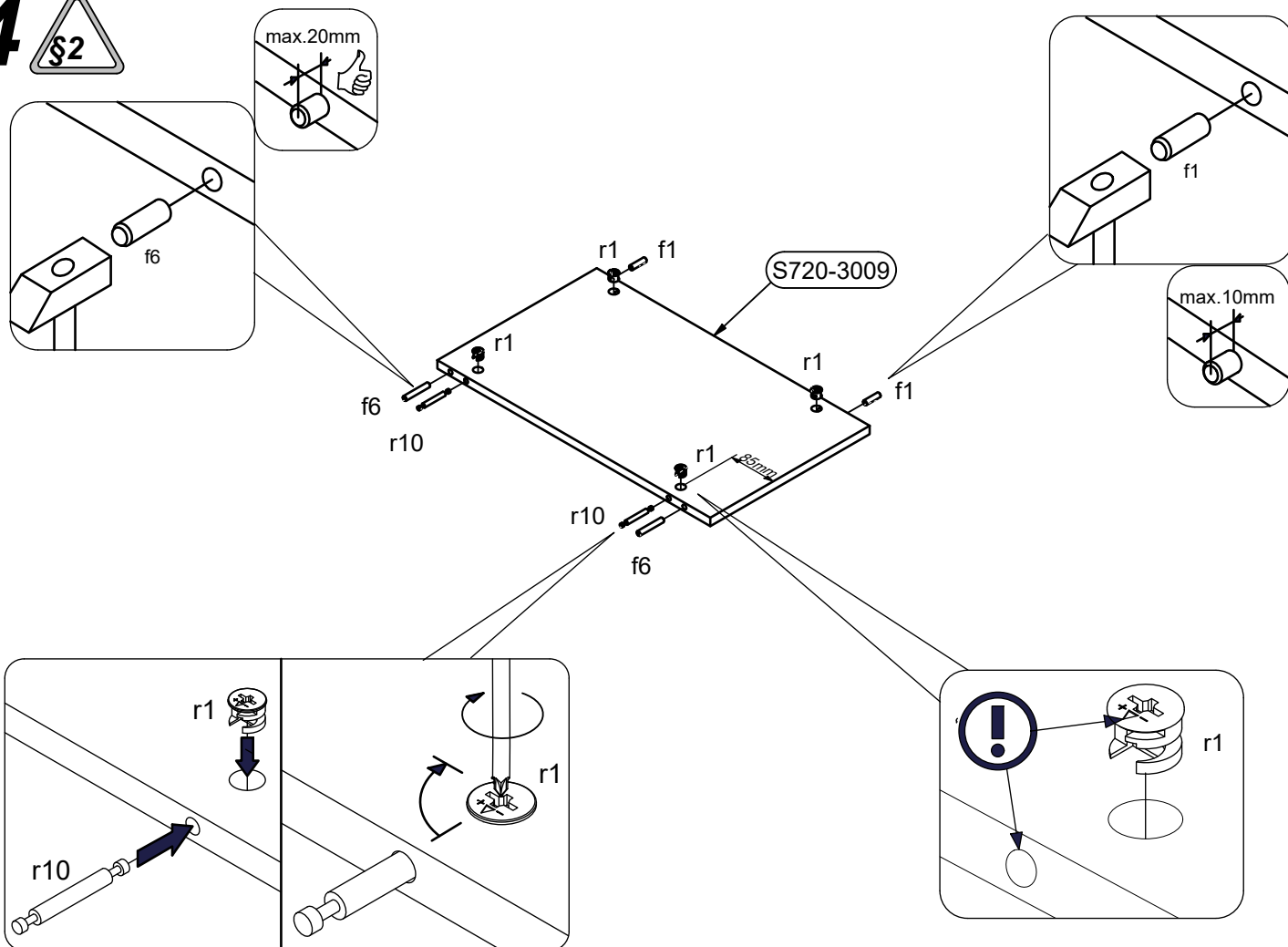
f1  30mm 4x	r42  2x	z28\2  1x	z28\1  1x
n267  1x	p1  Ø3.5x13 mm 3x	w165\2  L500 1x	z28\4  3x12mm 2x
			p51  Ø3.5x15 mm 2x

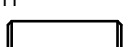


3 

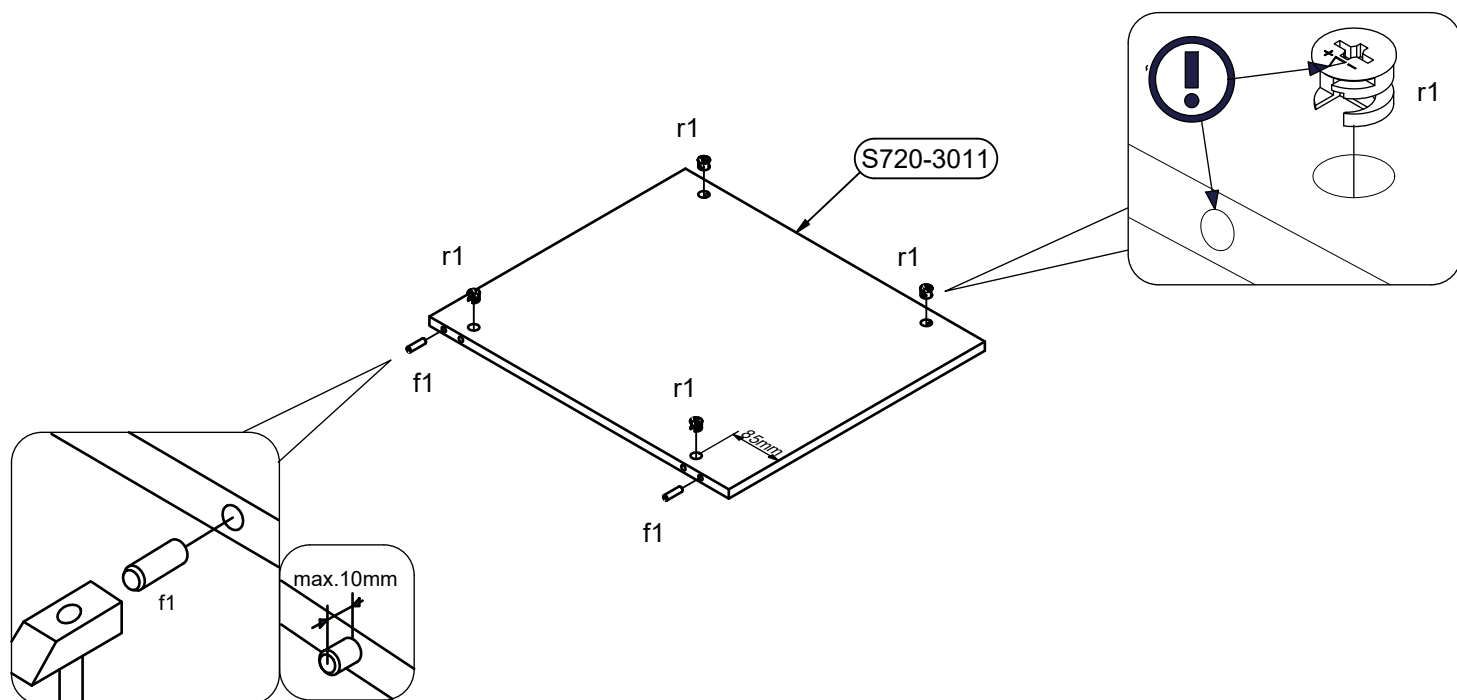


A**S720-SZF2D1S**

r10 	2x	f1 	30mm	2x	r1 		15x12mm	4x	f6 	50mm	2x
---	----	---	------	----	---	---	---------	----	---	------	----

4 **5** 

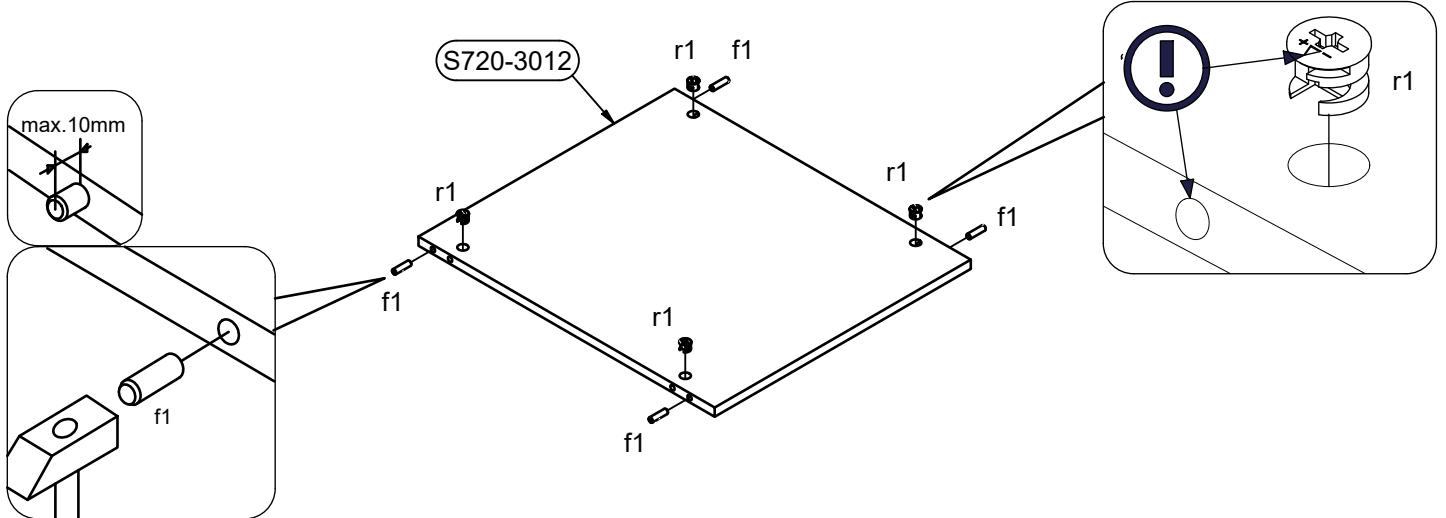
f1 	30mm	2x	r1 		15x12mm	4x
---	------	----	---	---	---------	----



6



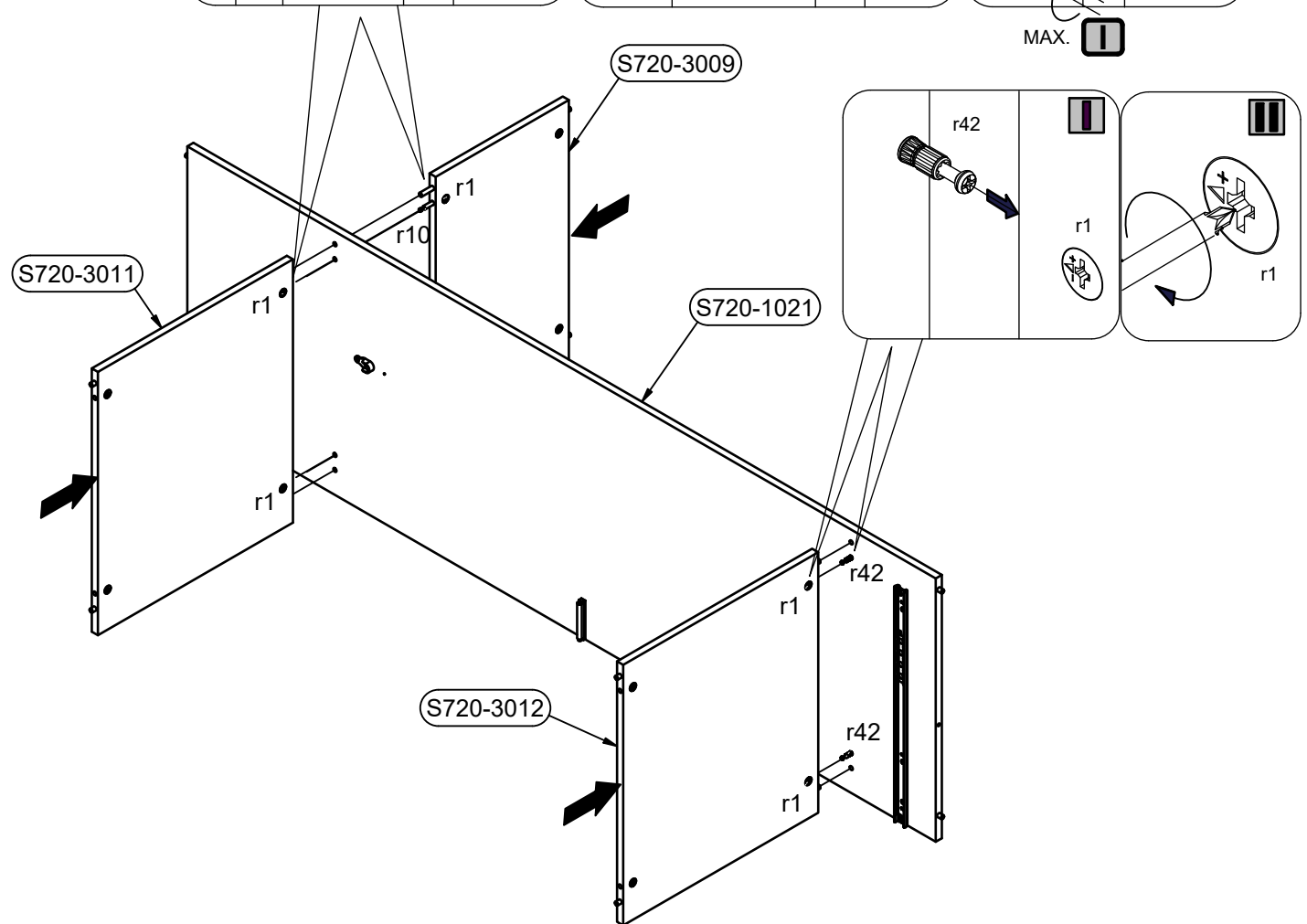
f1 	4x 30mm	r1 	4x 15x12mm
--------	------------	--------	---------------



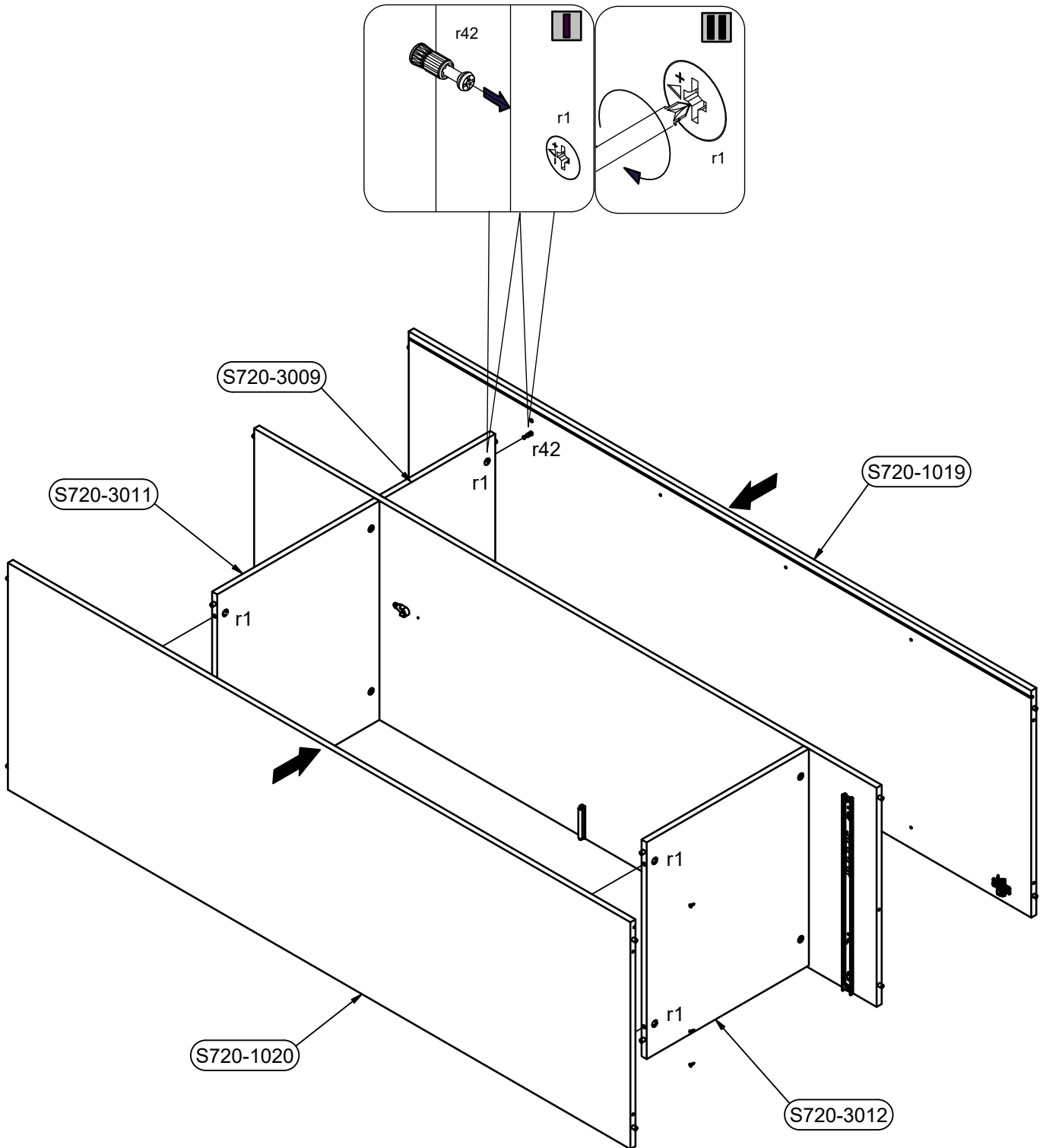
7



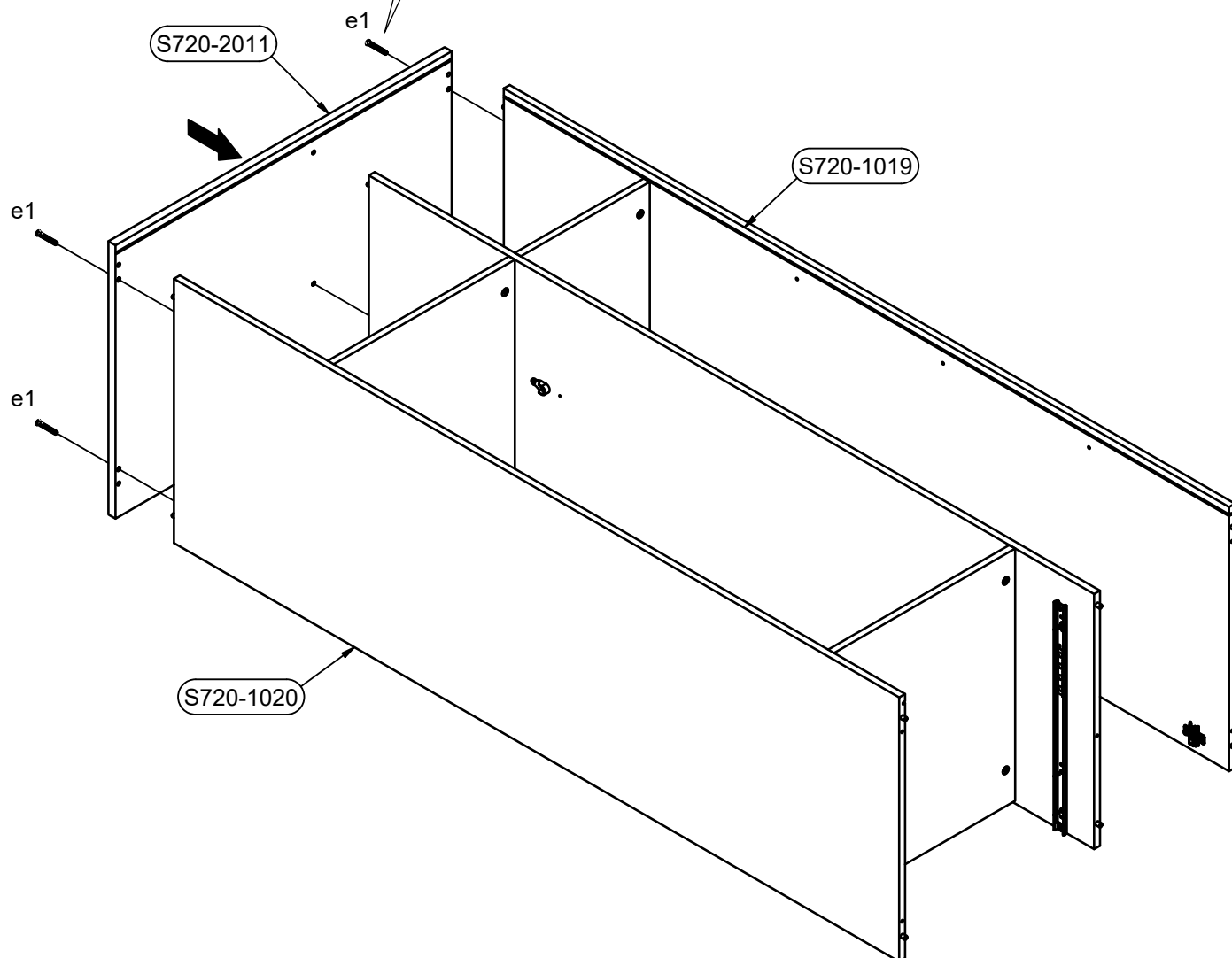
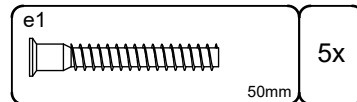
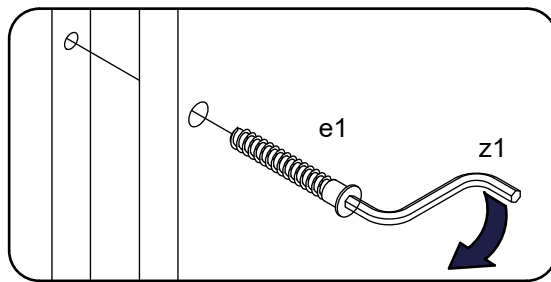
	r10	r1		r1		r1		r1		MAX.
--	-----	----	--	----	--	----	--	----	--	------



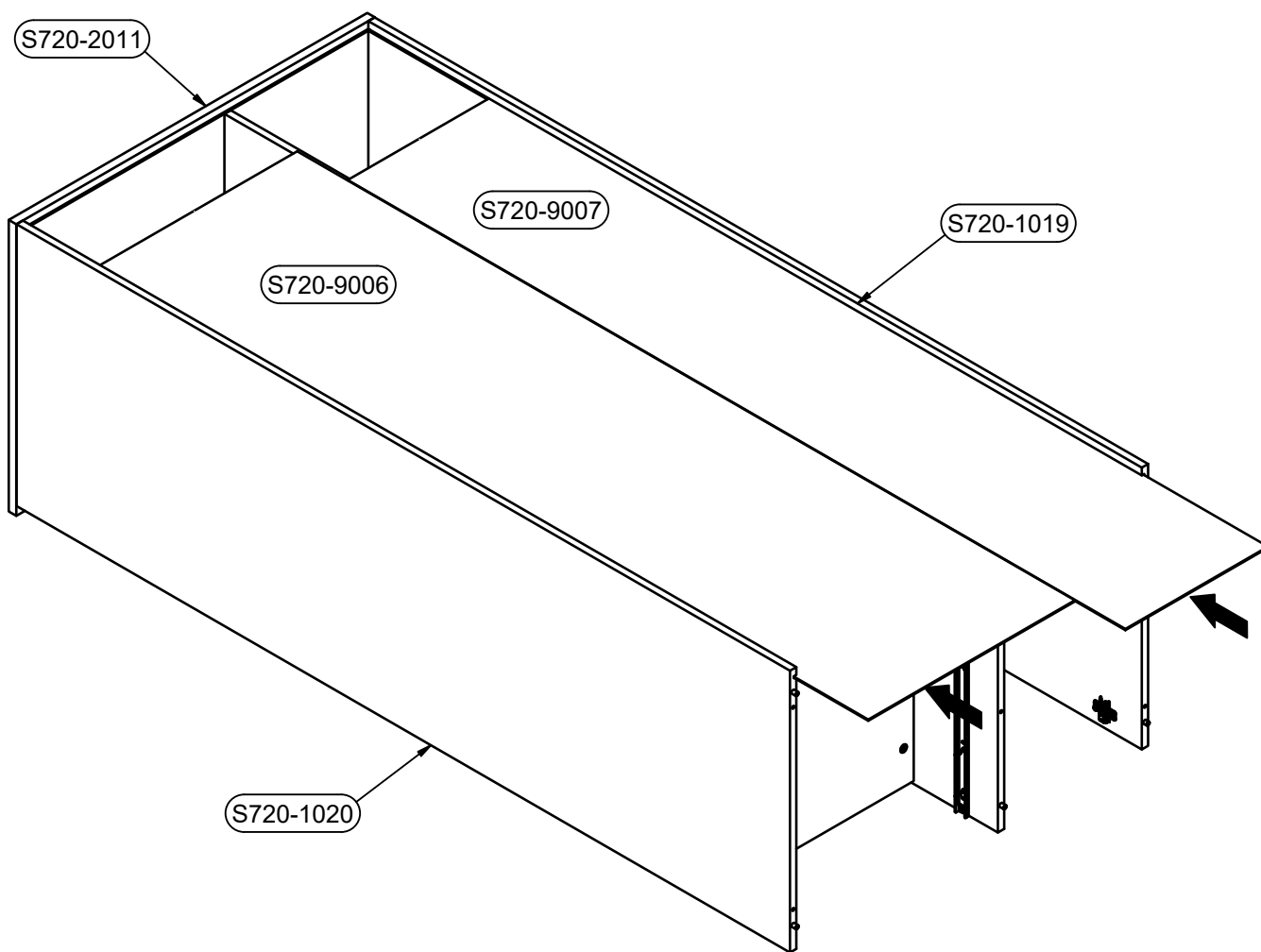
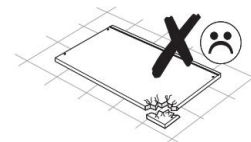
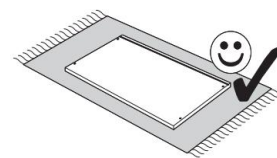
8



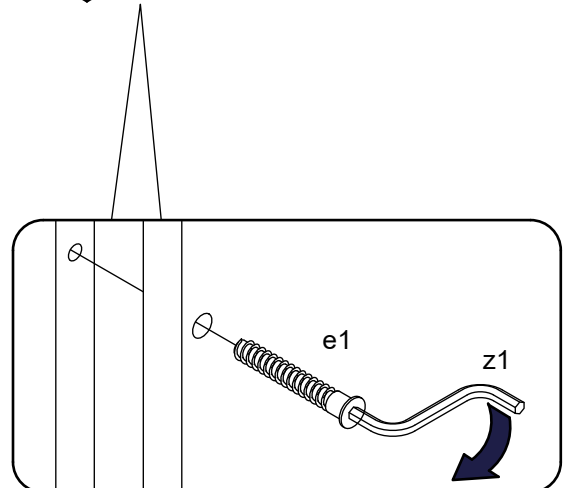
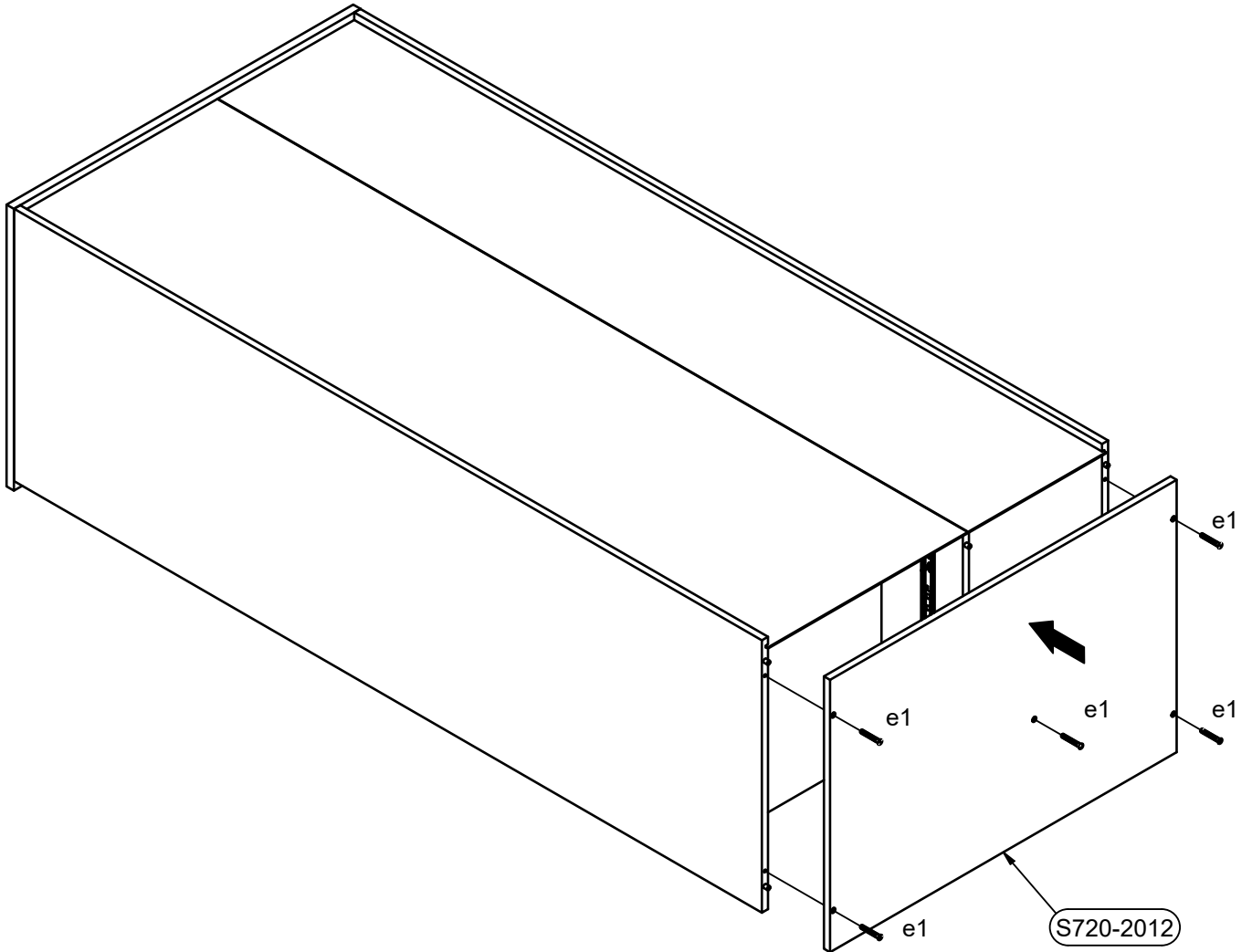
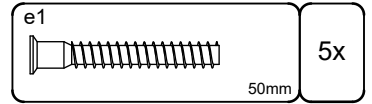
9






10

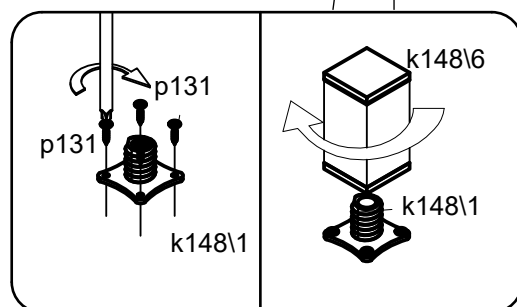
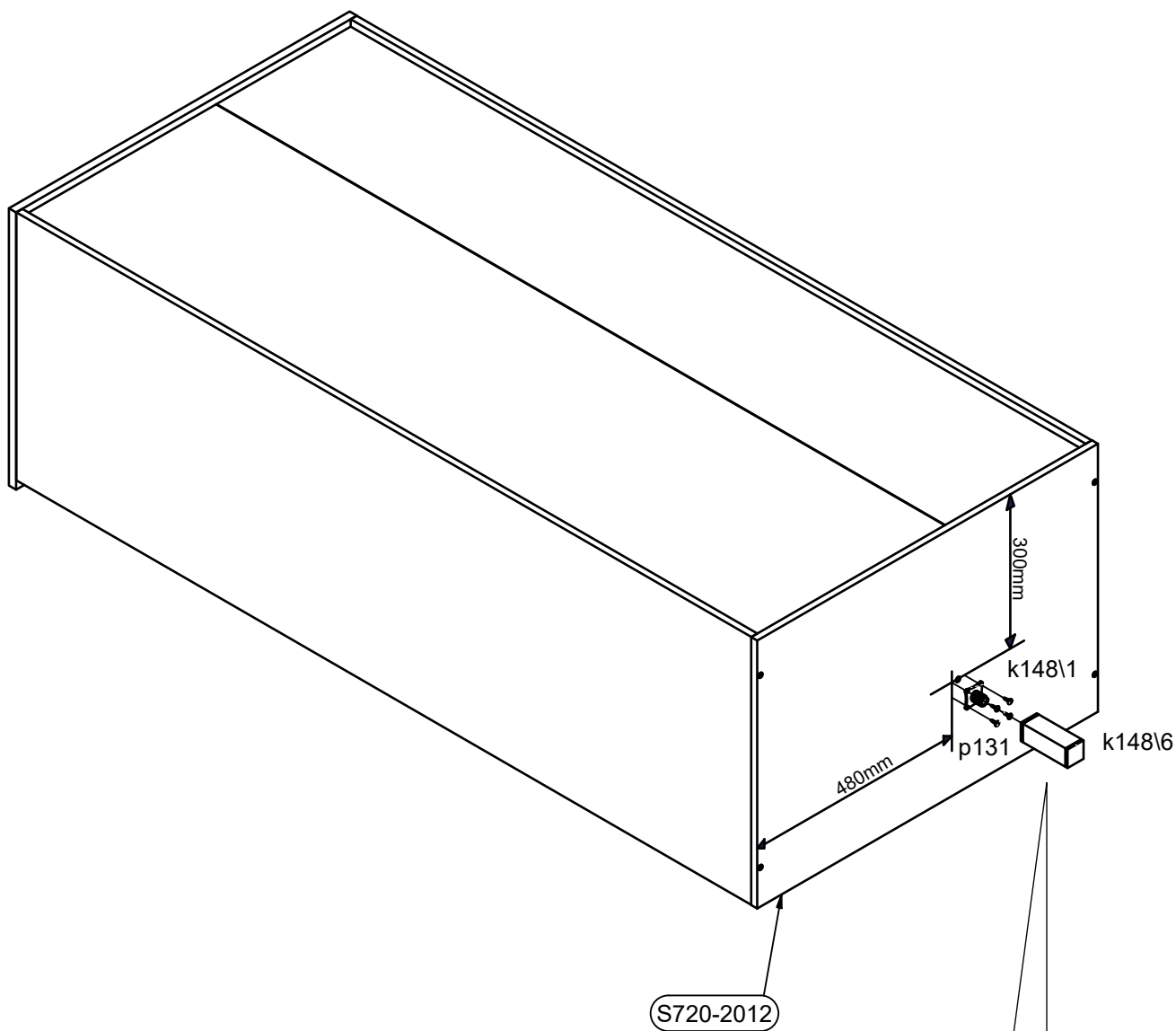


11 



12 

p131  Ø4x16 mm	4x	k148\6 	1x	k148\1 	1x
---	----	---	----	---	----



13 §2

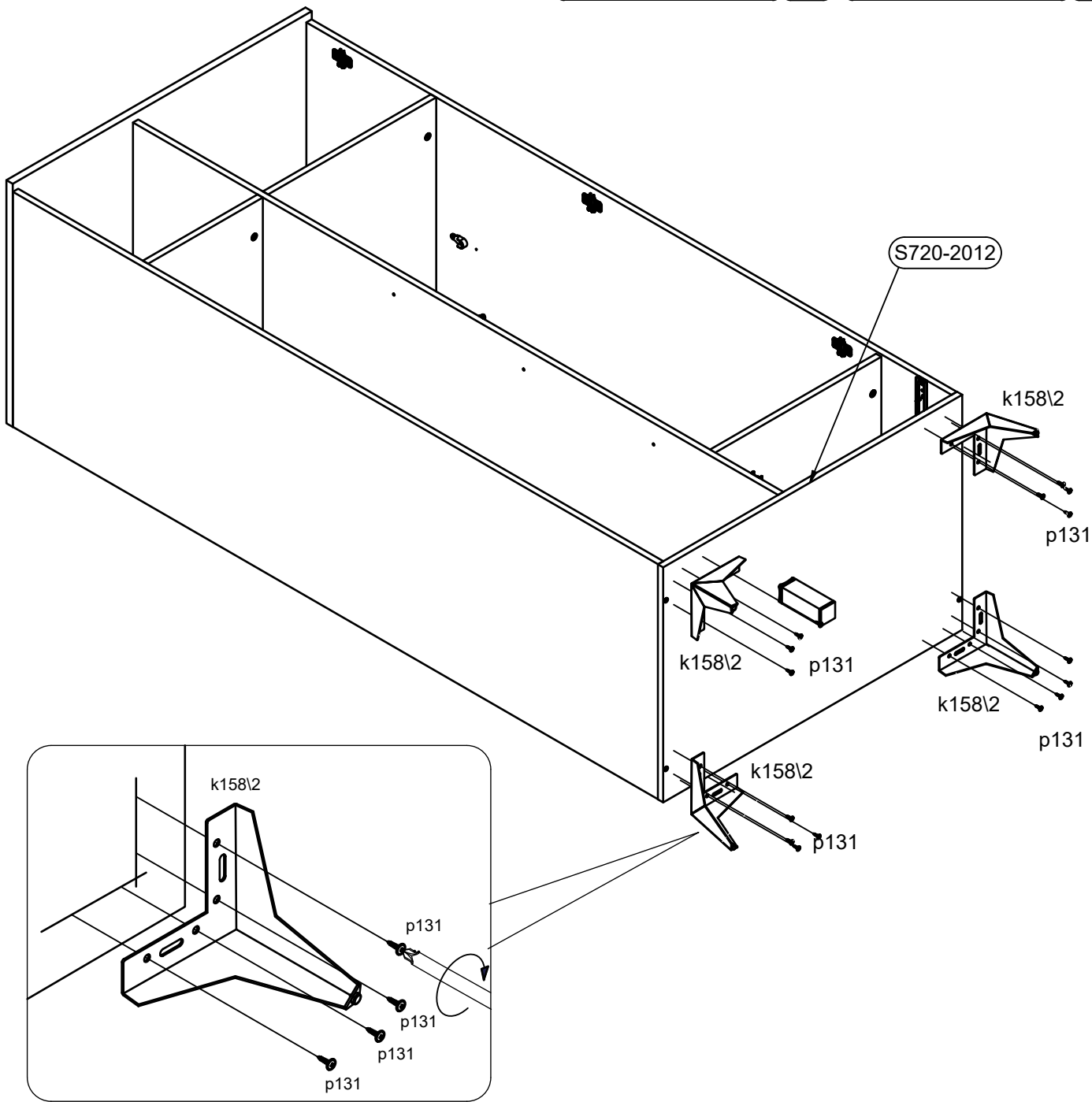


4x



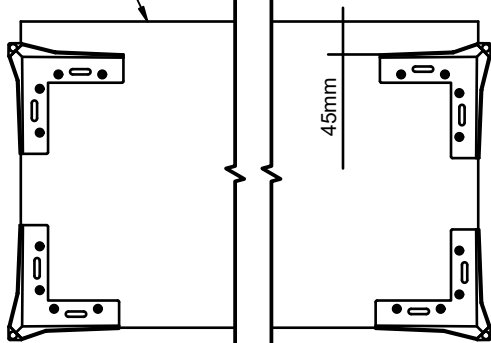
16x

Ø4x16 mm

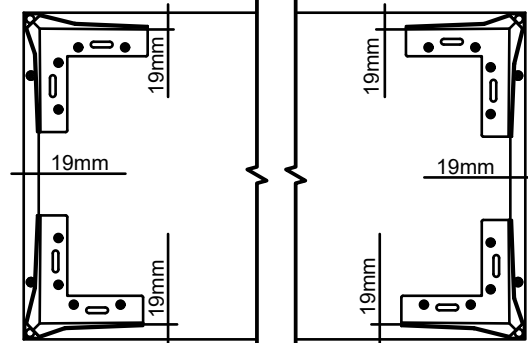


BACK

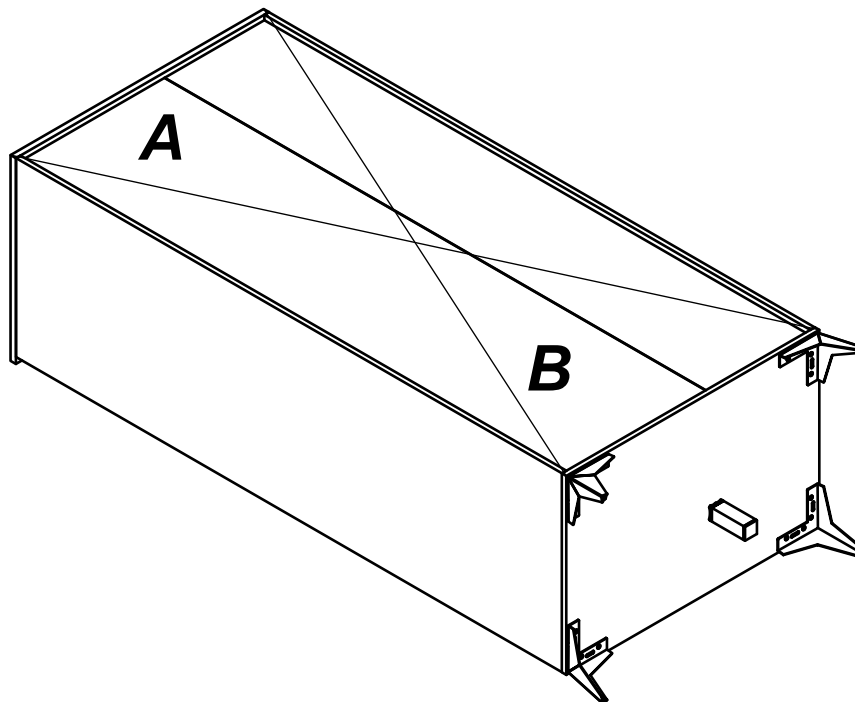
A



B



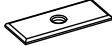


14

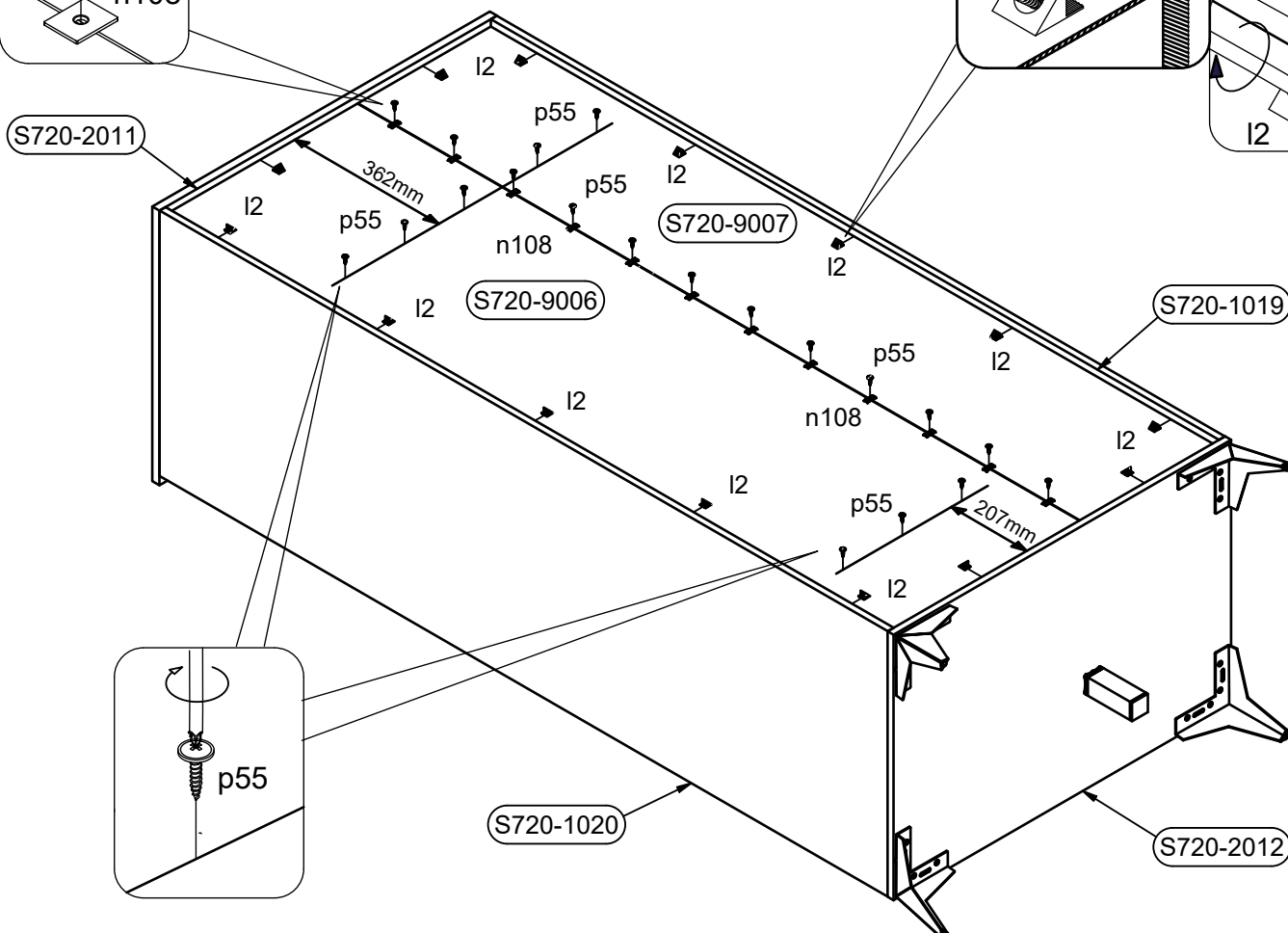
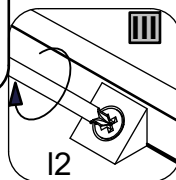
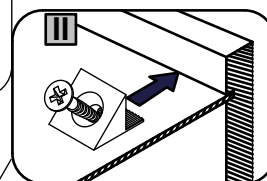
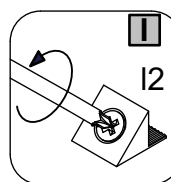
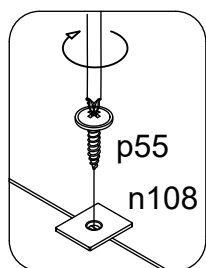


A=B
⚠

15



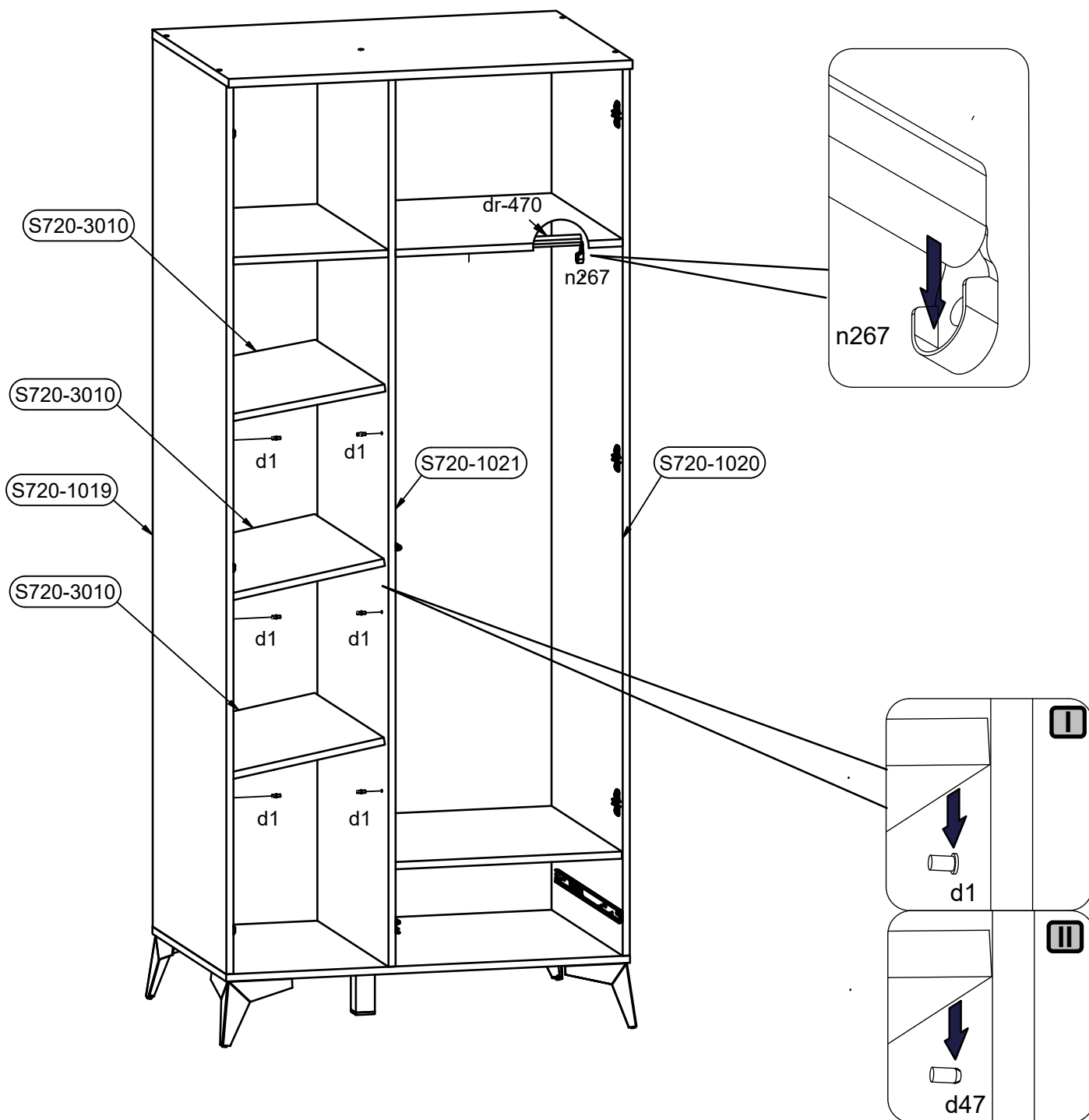
n108 	12x	p55 	20x 2.9x16mm	I2 	14x
---	-----	--	-----------------	---	-----



16



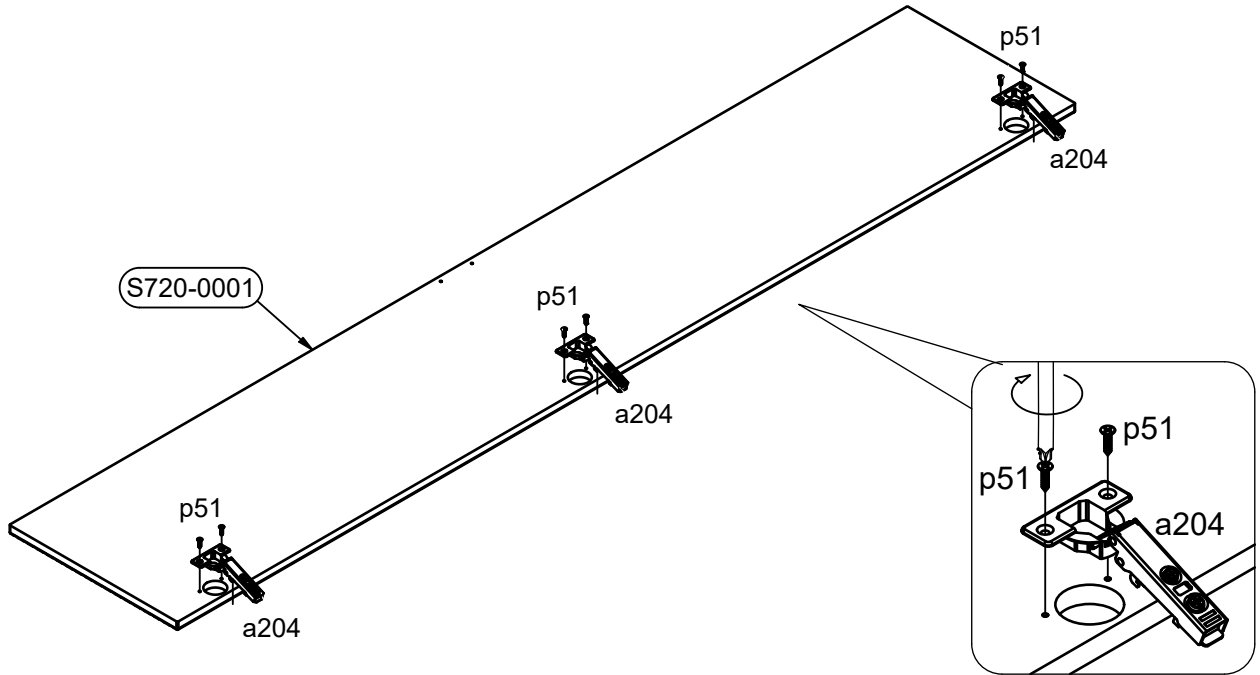
d1		12x
	fi5mm	



17

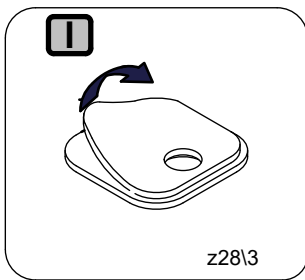
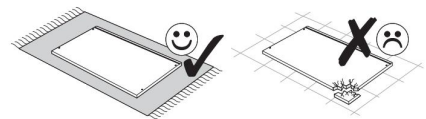
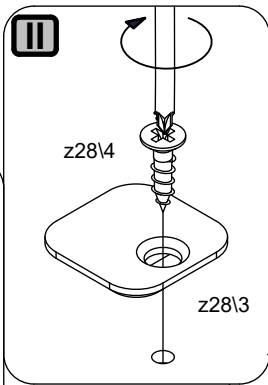


a204	3x	p51	6x
			Ø3.5x15 mm

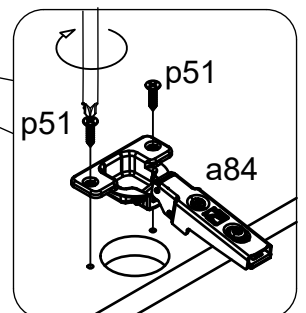
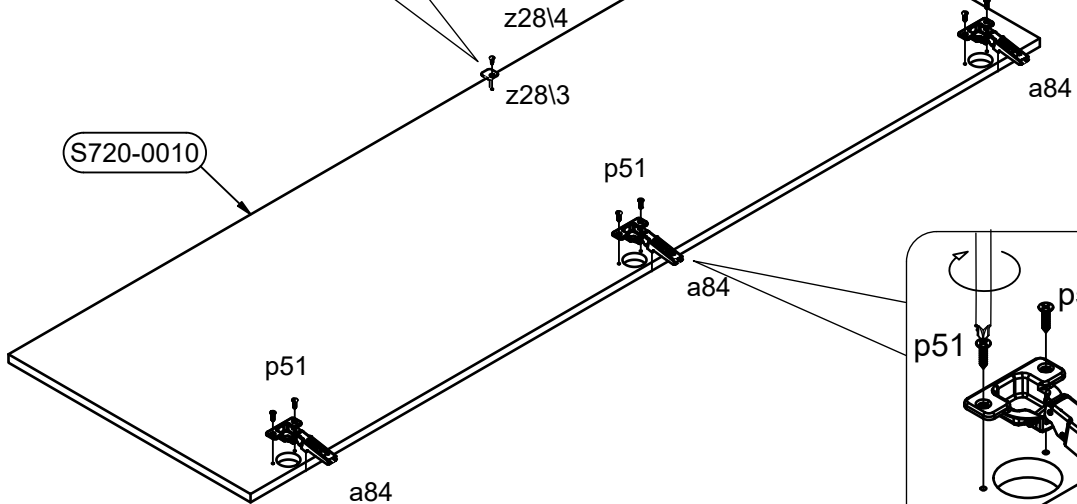


z28\4	1x	z28\3	1x	a84	3x	p51	6x
	3x12mm						Ø3.5x15 mm

18





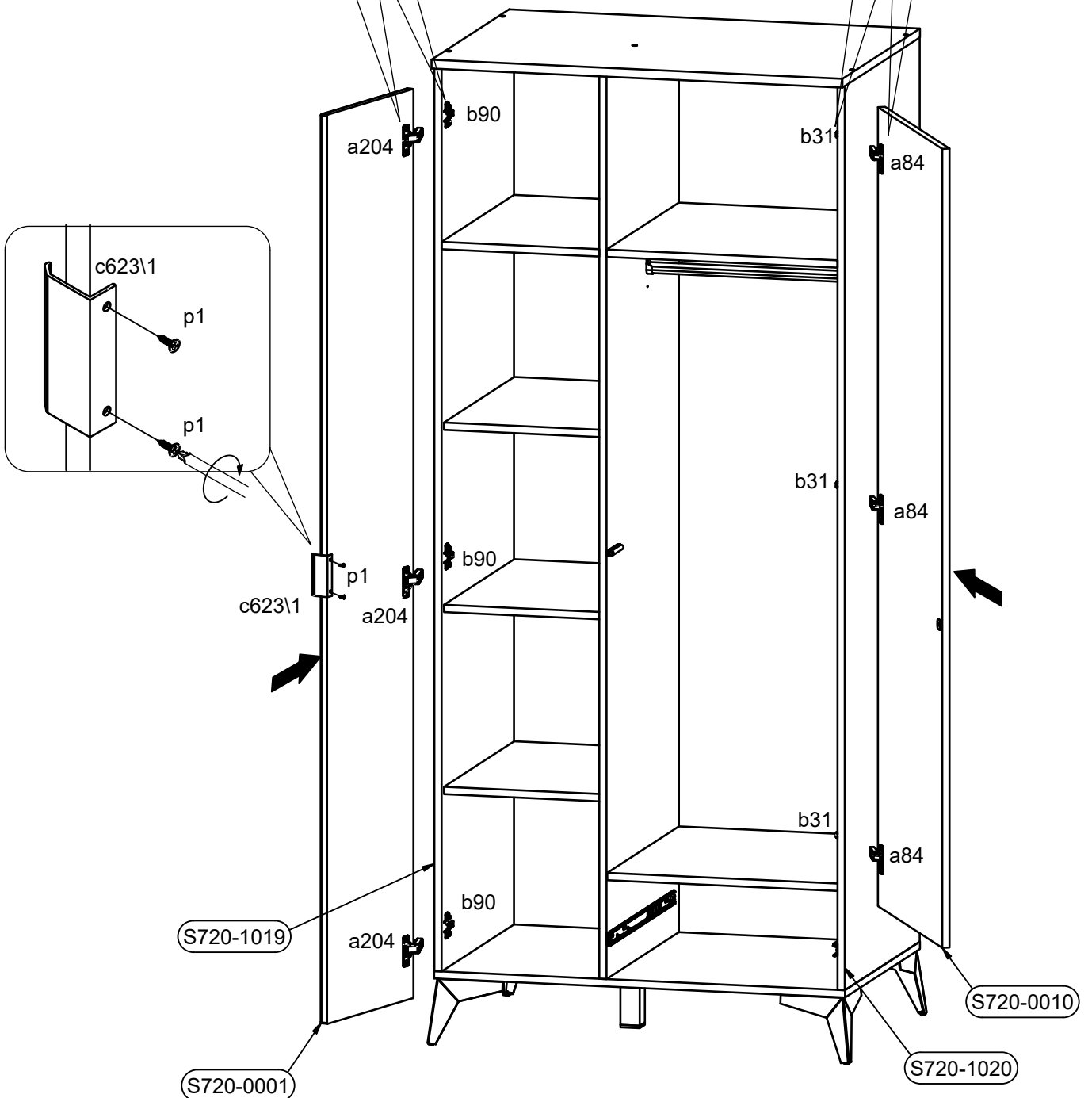
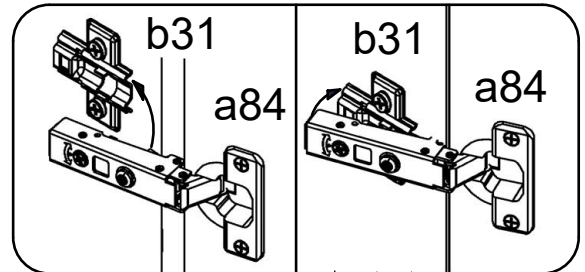
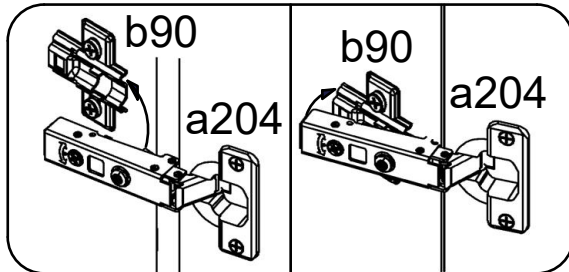
z28\3



19


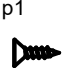


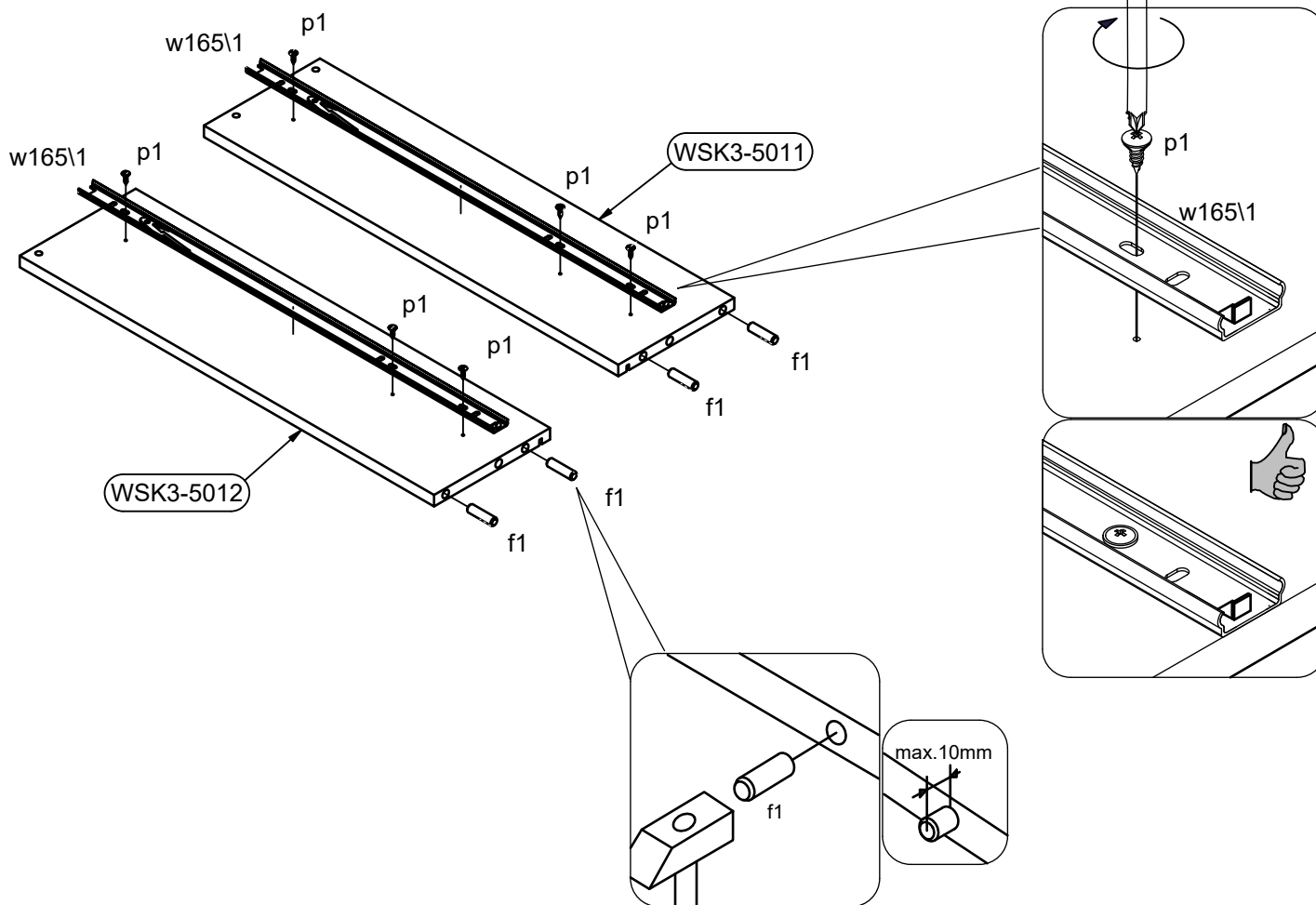
<p>p1</p>  <p>Ø3.5x13 mm</p>	<p>2x</p>	<p>c623\1</p>  <p>L84/64mm</p>	<p>1x</p>
---	-----------	---	-----------



20

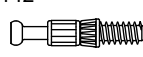


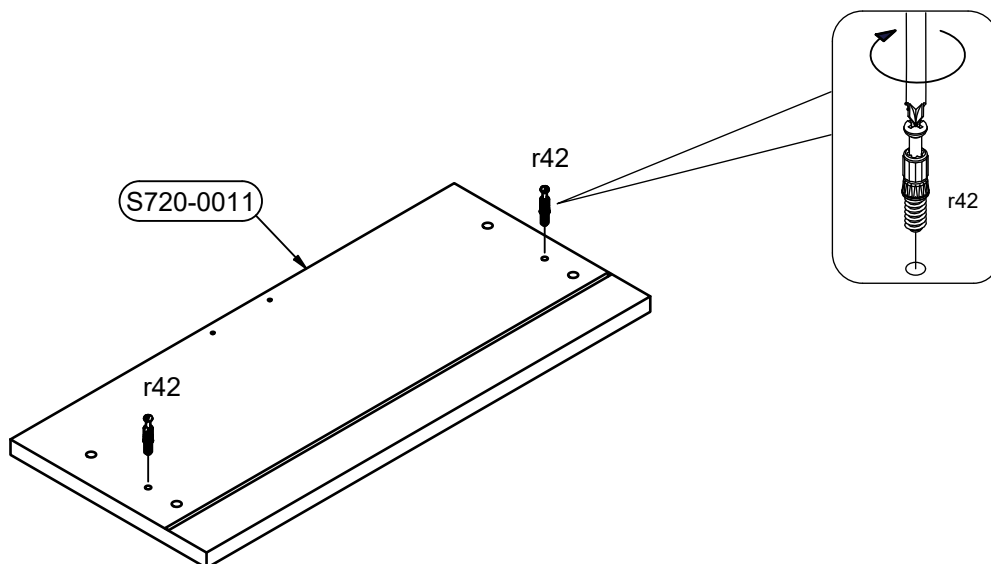
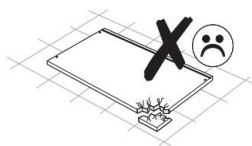
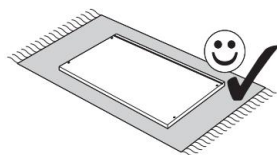
w165\1  L500	2x	p1  Ø3.5x13 mm	6x
--	----	---	----



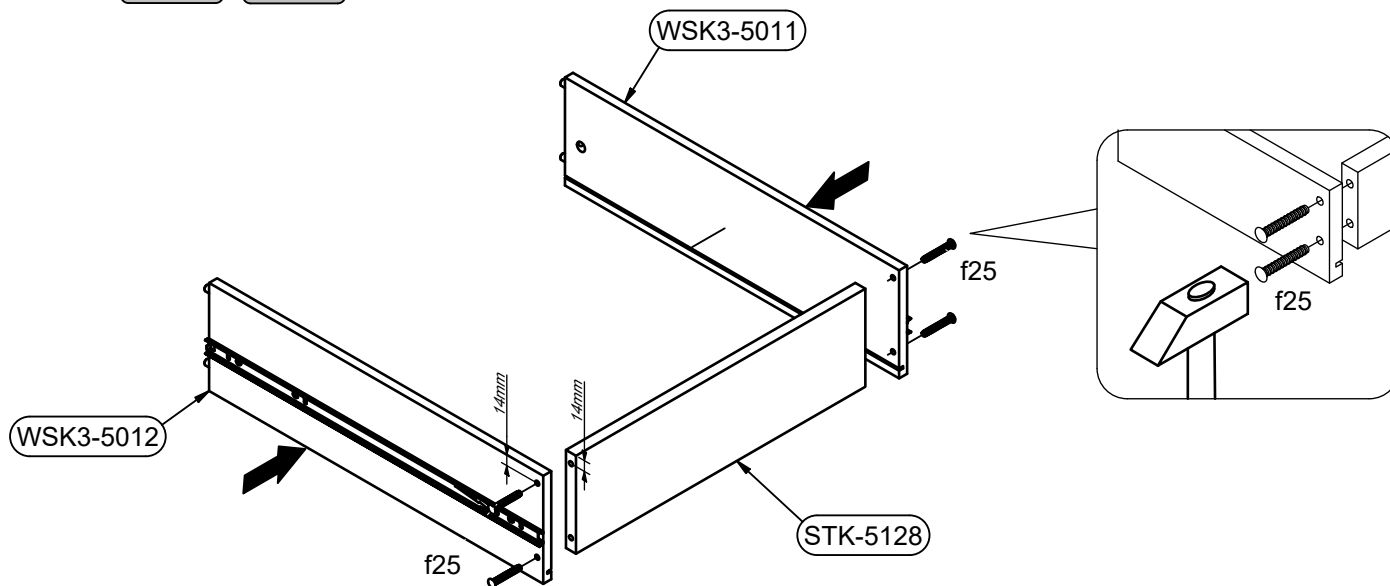
21



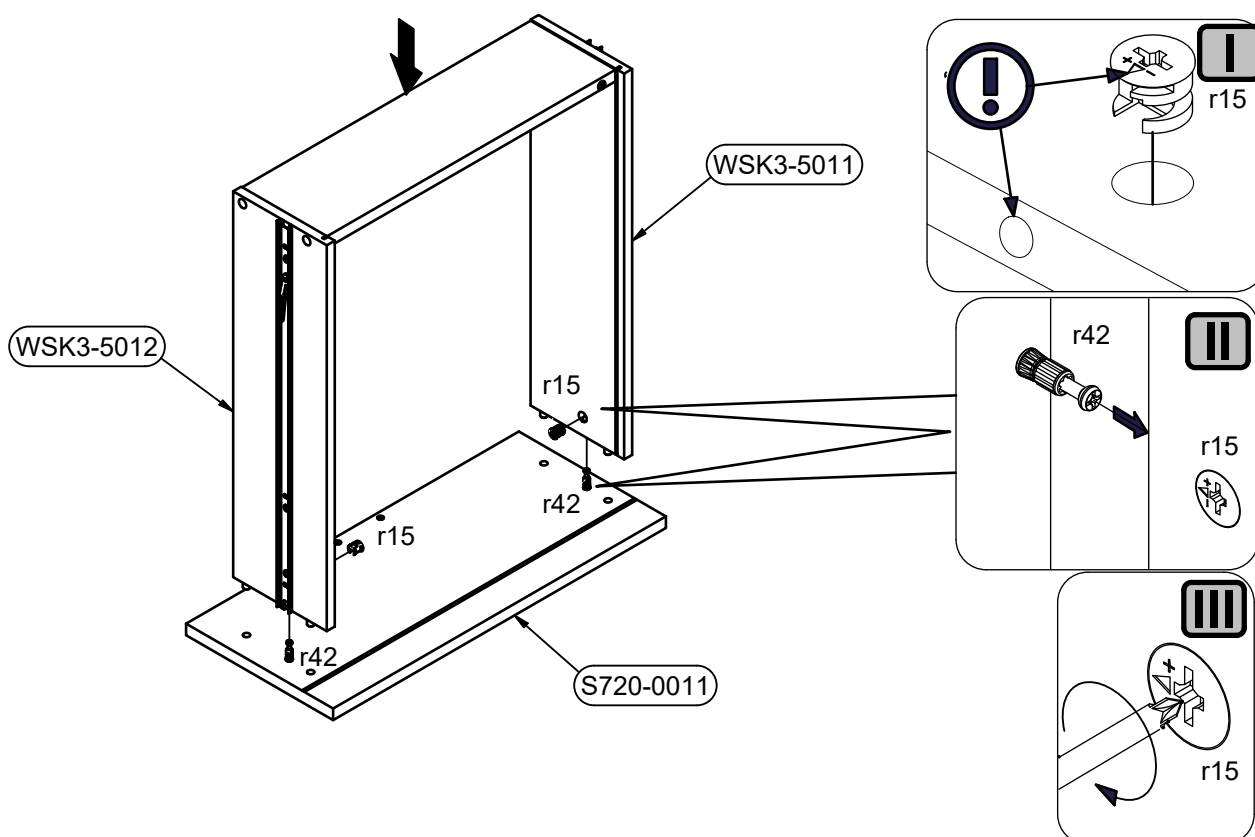
r42 	2x
--	----



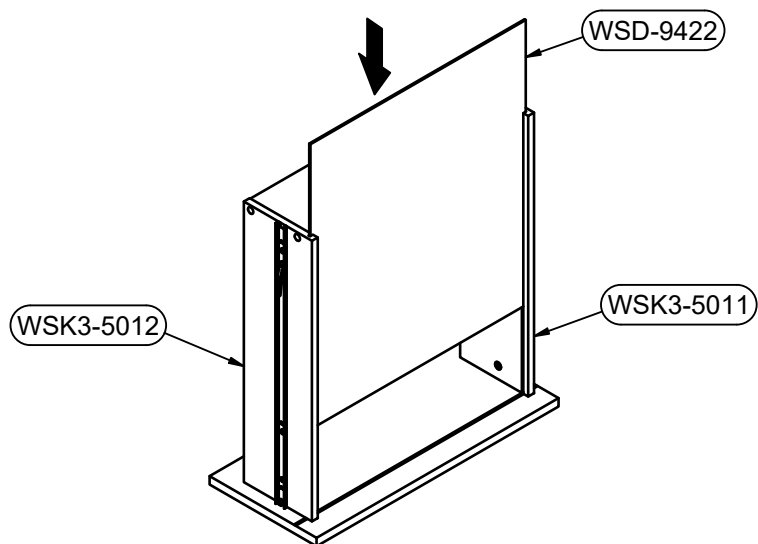
22



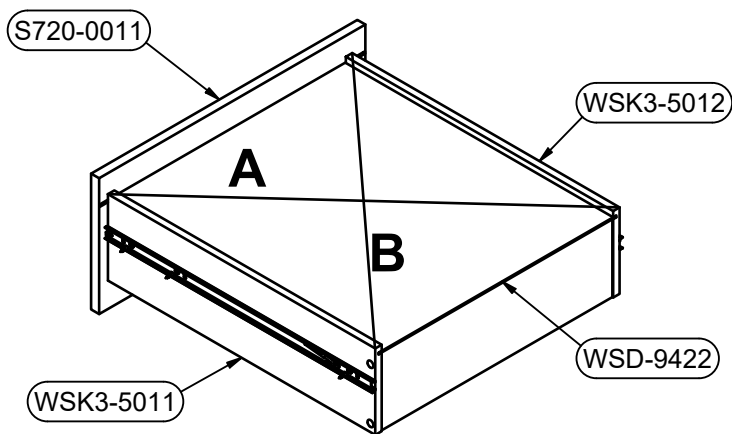
23




24 

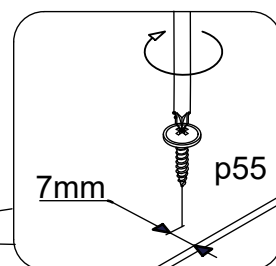
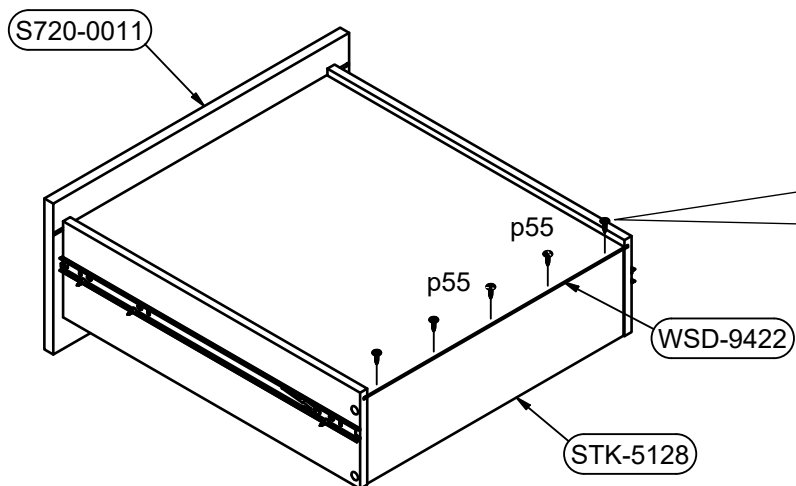
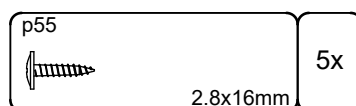


25




A=B

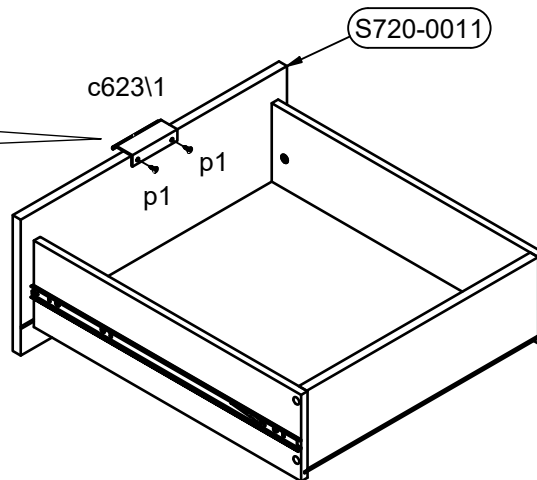
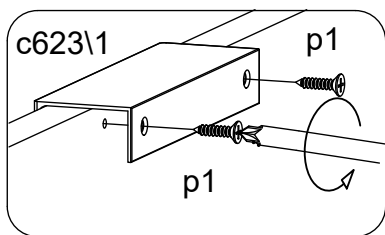
26 



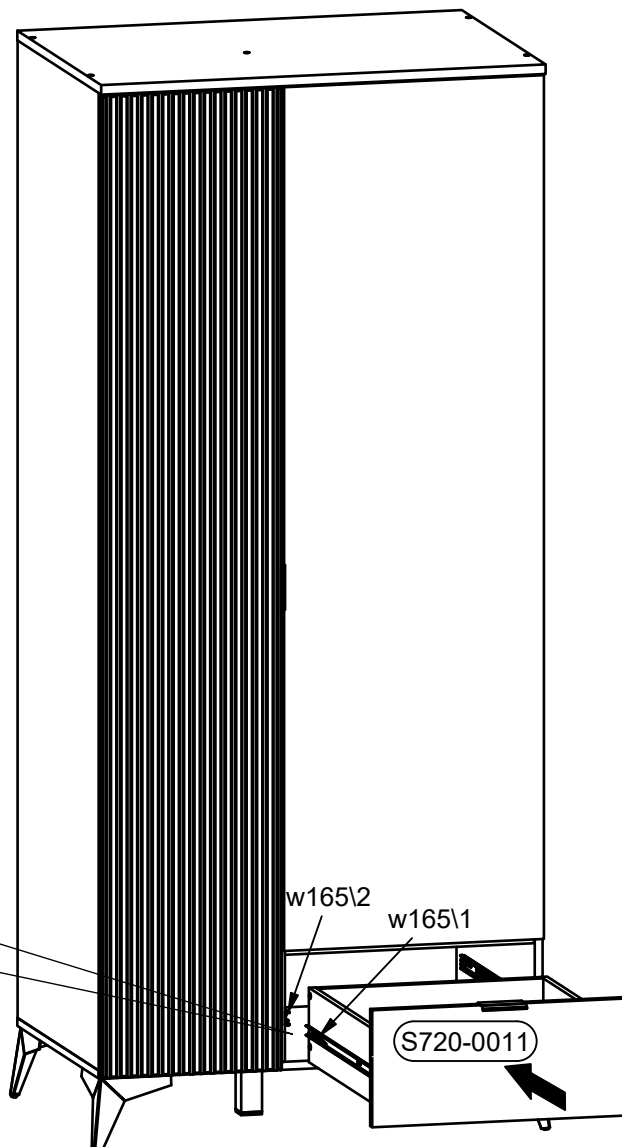
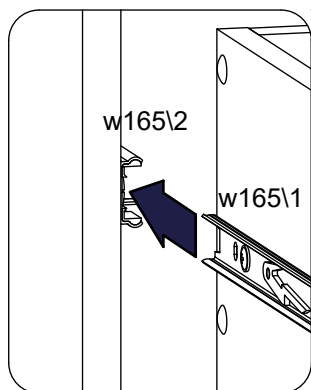
27

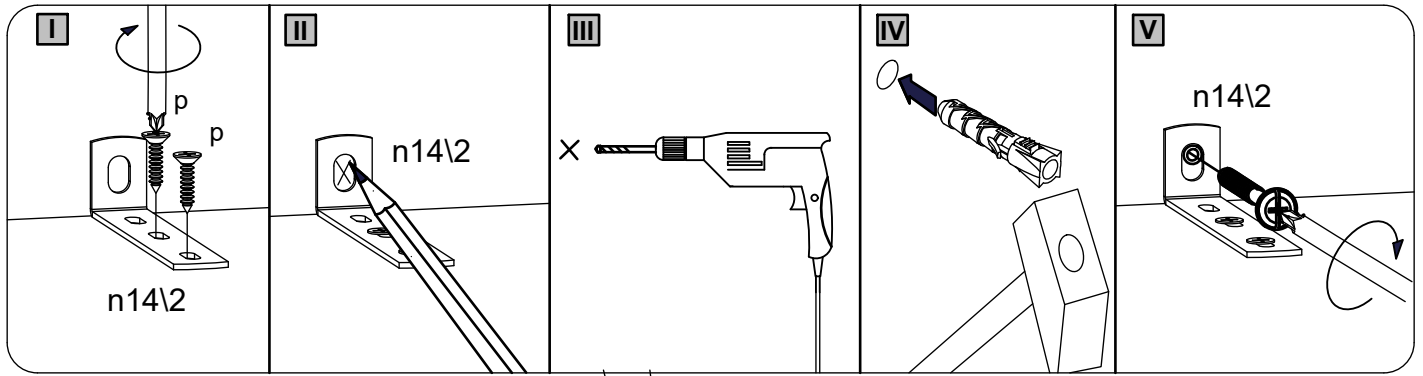


p1 Ø3.5x13 mm	2x	c643\2 L84/64mm	1x
----------------------	----	------------------------	----





28

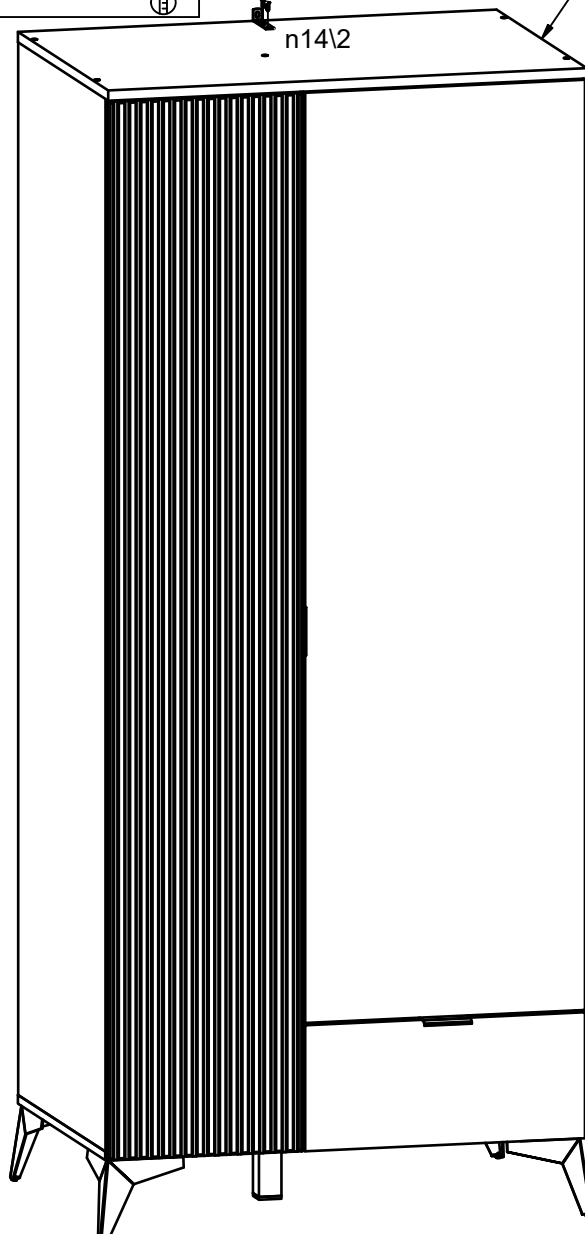
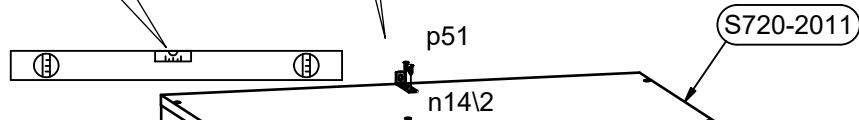
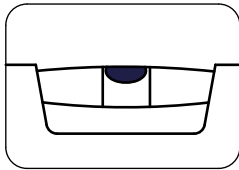




29



<p>p51</p>  <p>3.5x15mm</p>	<p>2x</p>	<p>n14/2</p> 	<p>1x</p>
--	-----------	--	-----------



30

