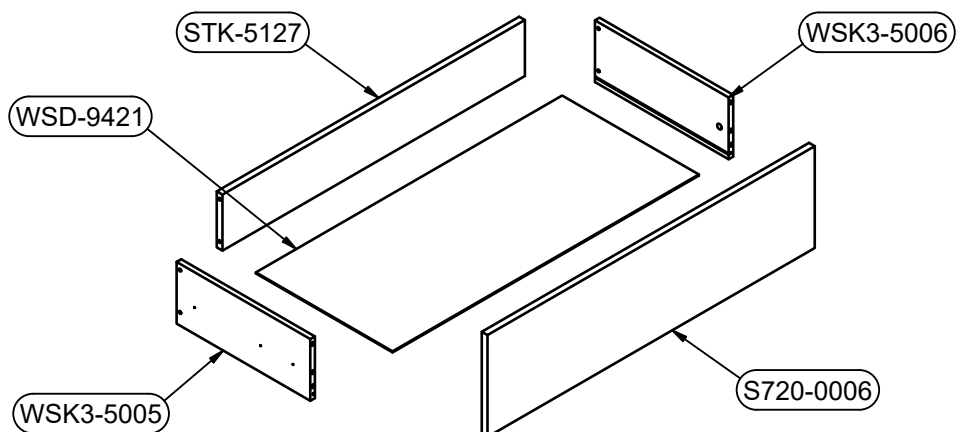
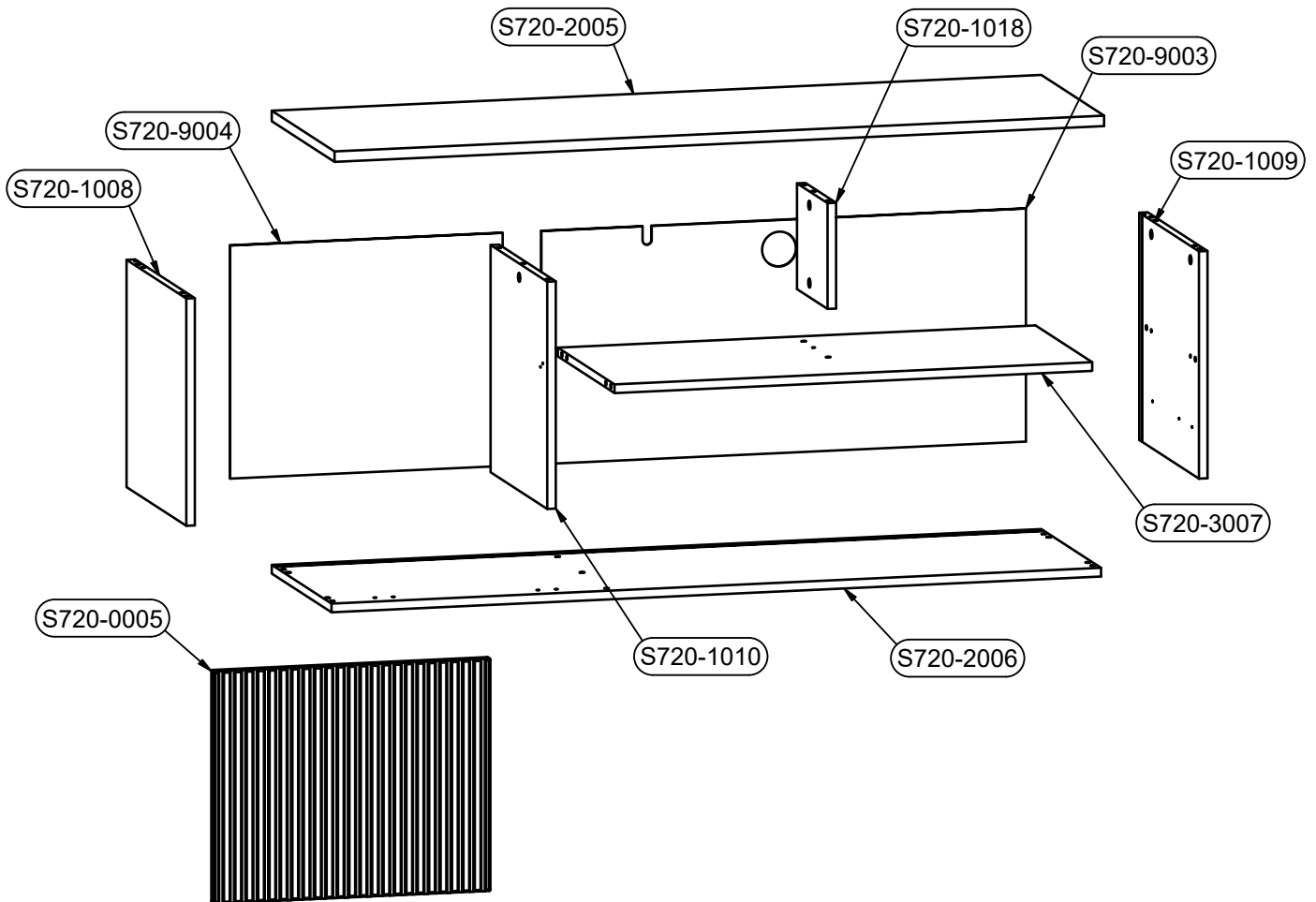
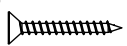
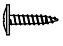

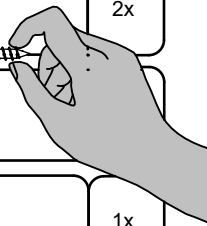





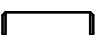
B1	B2	C1	C2	C3	C4	D
S720-0005	-	400	486	16	1	1/2
S720-0006	-	857	231	15	1	1/2
S720-1008	-.1	391	391	15	1	1/2
S720-1009	-.1	391	391	15	1	1/2
S720-1010	-	391	371	15	1	1/2
S720-1018	-	182	200	15	1	1/2
S720-2005	-.1	1350	411	18	1	1/2
S720-2006	-.1	1350	391	15	1	1/2
S720-3007	-	838	371	15	1	1/2
S720-9003	-	850	401	2,5	1	1/2
S720-9004	-	478	401	2,5	1	1/2
STK-5127	-	792	127	15	1	1/2
WSD-9421	-	802	358	2,5	1	1/2
WSK3-5005	-.4	350	140	12	1	1/2
WSK3-5006	-.4	350	140	12	1	1/2

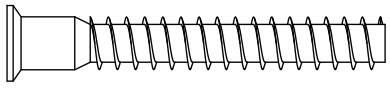


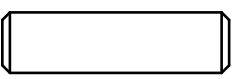
1:1

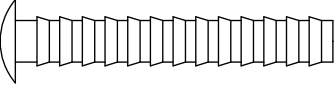
p16		2x
p55		
f1		1x





p16		2x	
p55		1x	
f1		1x	

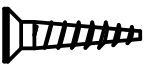
e1		5x
	50mm	

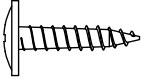
f1		24x
	30mm	

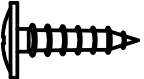
f25		4x
	6.5x40 mm	

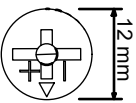
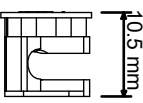

p1		14x
	Ø3.5x13 mm	

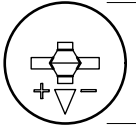
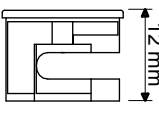
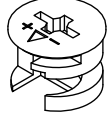
p51		8x
	3.5x15mm	

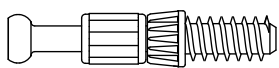
p25		10x
	Ø3,5x16 mm	

p55		15x
	2.9x16mm	

p131		20x
	Ø4x16 mm	

r15	  	2x
	12x10,5mm	

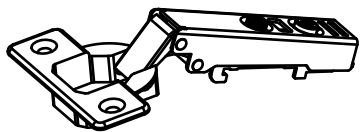
r1	  	11x
	15x12mm	

r42		13x
-----	---	-----



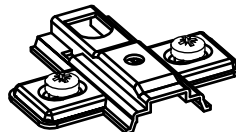
~~1:1~~

a211



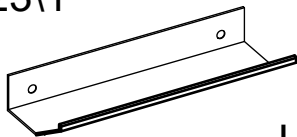
2x

b90



2x

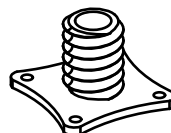
c623\1



L84/64mm

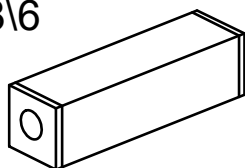
1x

k148\1



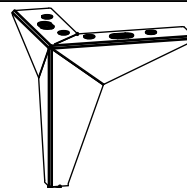
1x

k148\6



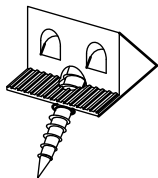
1x

k158\2



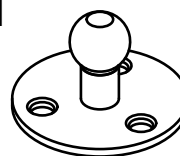
4x

l2



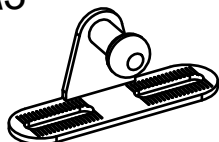
10x

m79\1



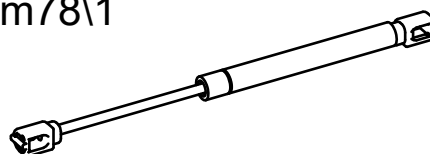
2x

m79\3



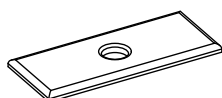
2x

m78\1



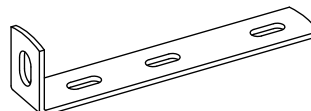
2x

n108



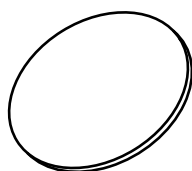
3x

n14\2



1x

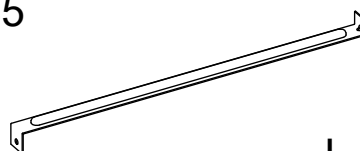
s68



Ø20mm

7x

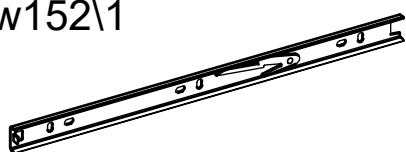
t35



L-350mm

1x

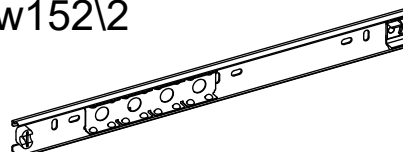
w152\1



L350

2x

w152\2



L350

2x

z1

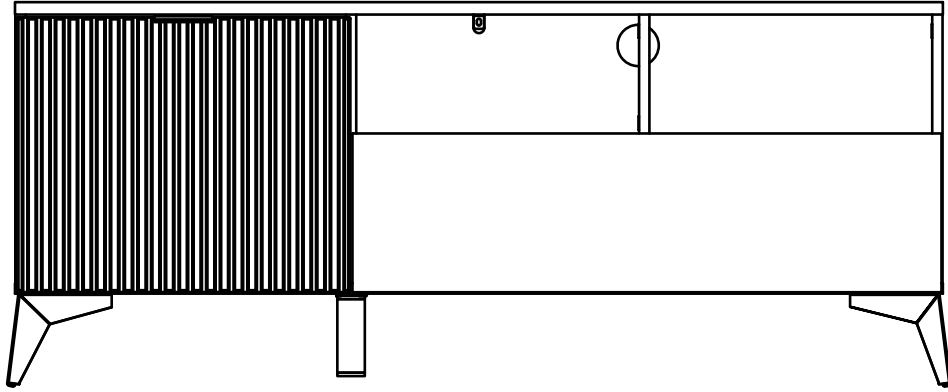


1x

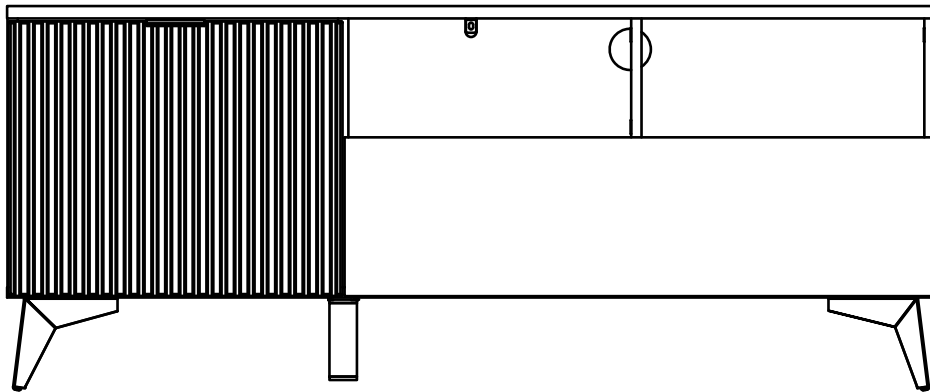


4mm

A

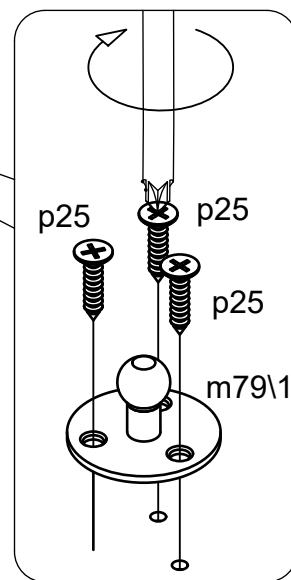
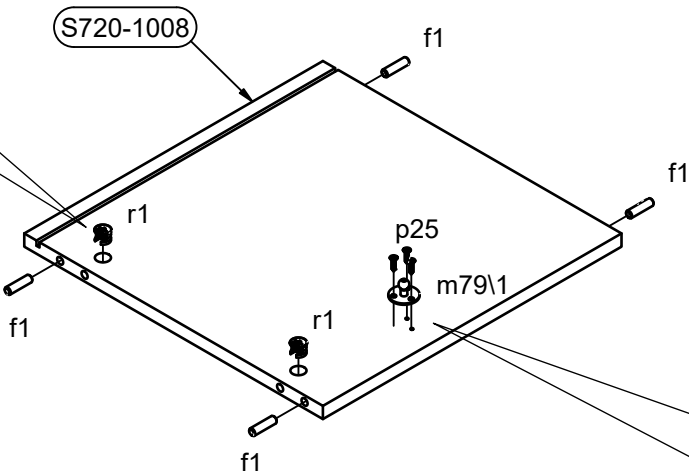
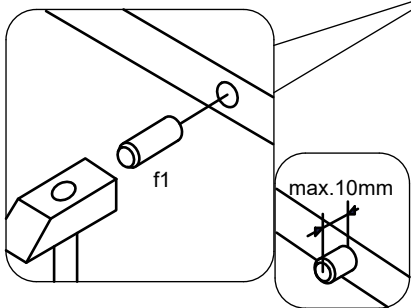
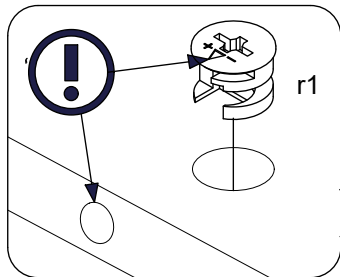


B



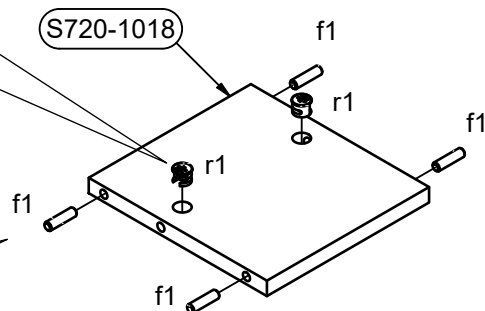
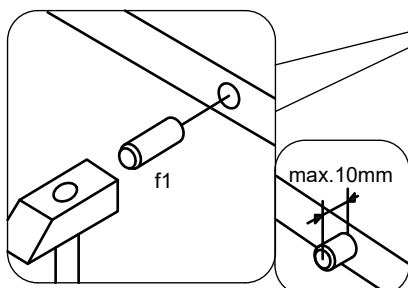
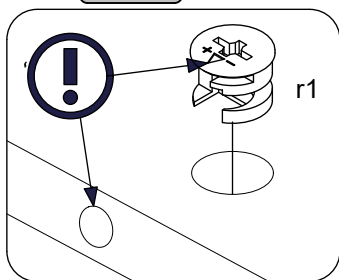
n79\1	1x	p25	3x	f1	4x	r1	2x
			Ø3,5x16 mm		30mm		15x12mm

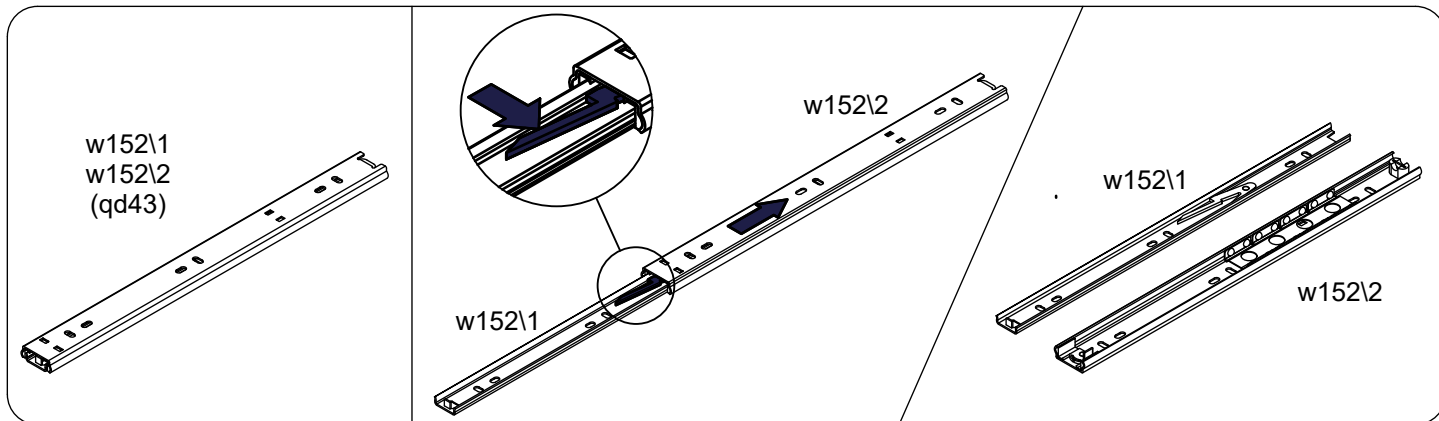
1

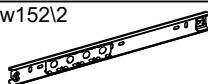

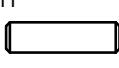



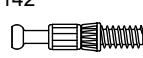
2

f1	4x	r1	2x
	30mm		15x12mm

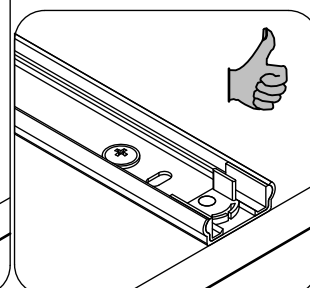
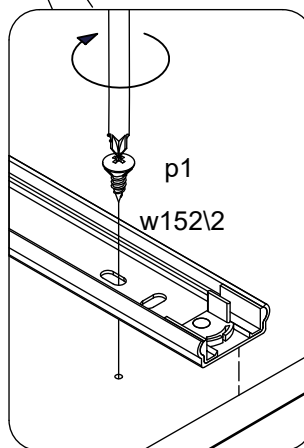
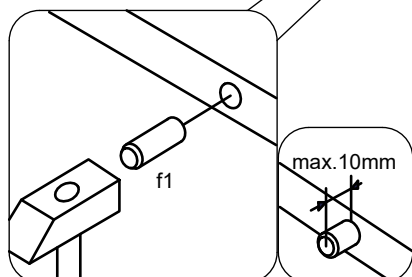
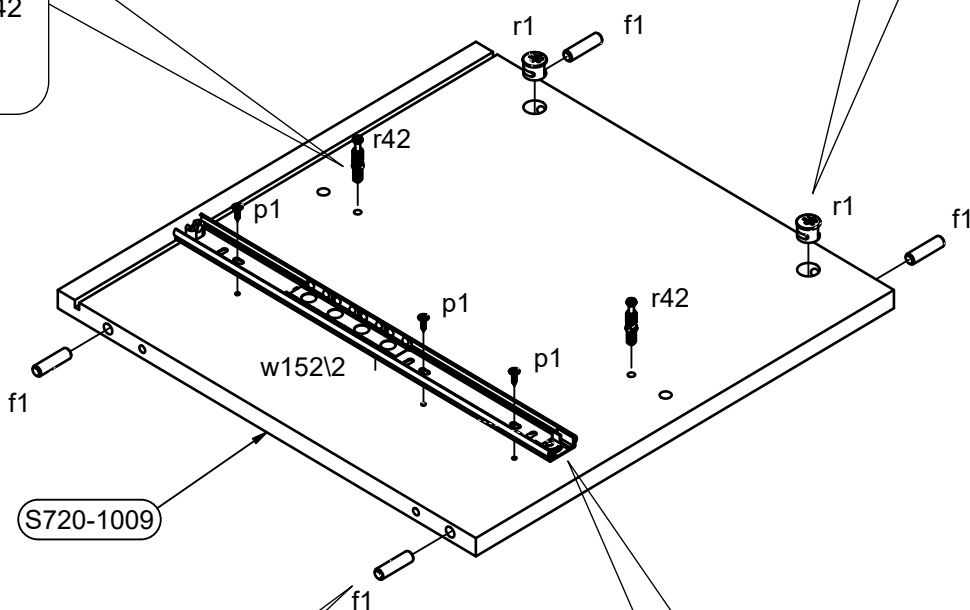
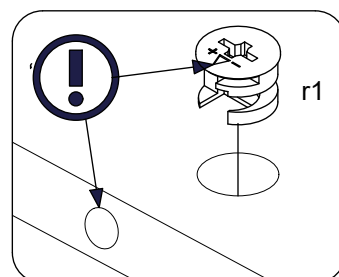
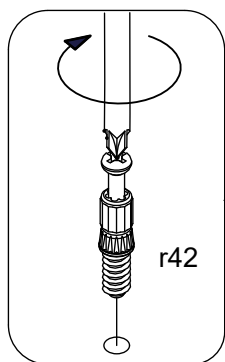


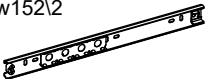

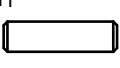




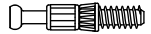


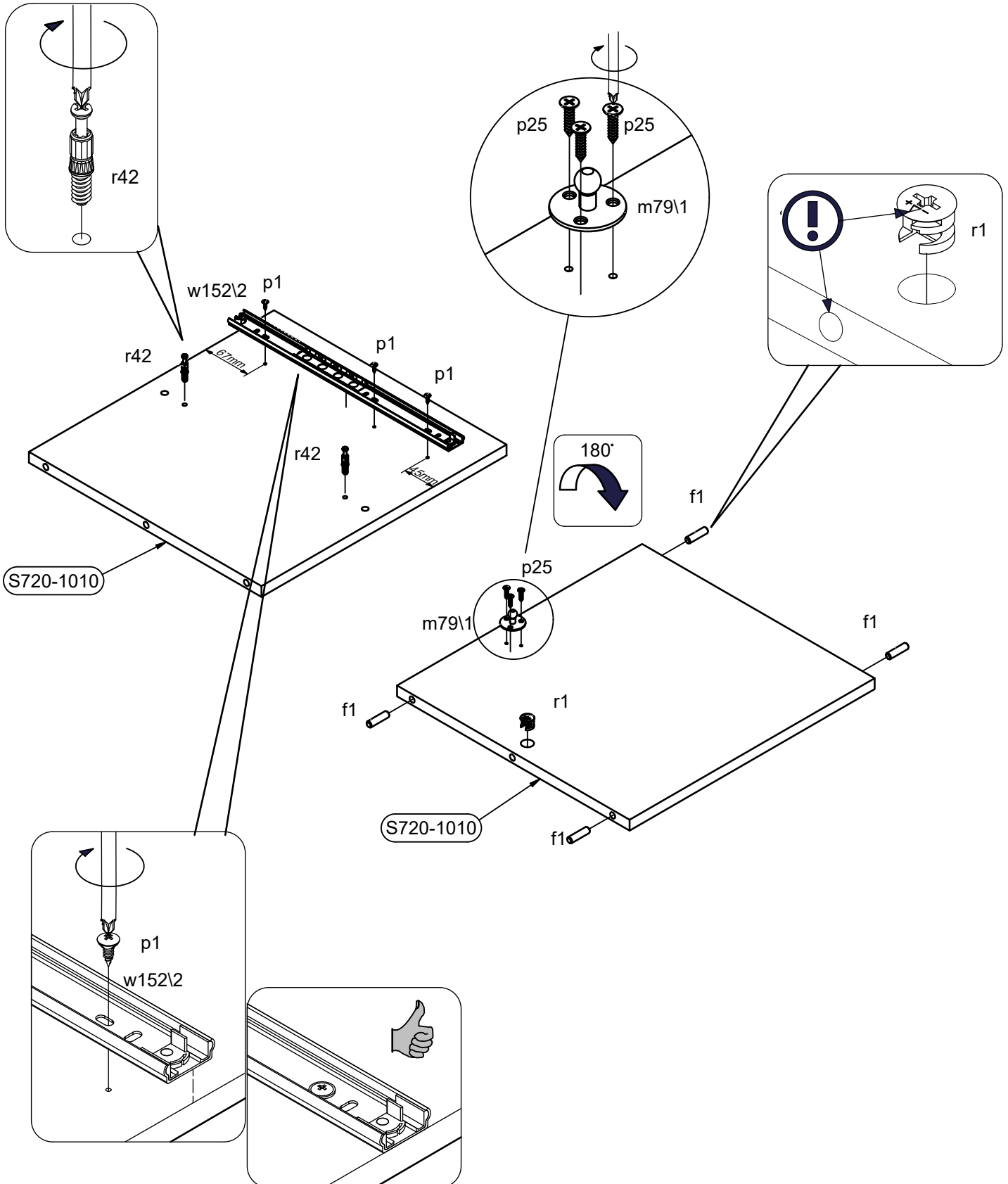
 w152\2 L350	1x	 p1 Ø3.5x13 mm	3x	 f1 30mm	4x	 r1 15x12mm	2x
---	----	--	----	--	----	---	----

 r42	2x
---	----

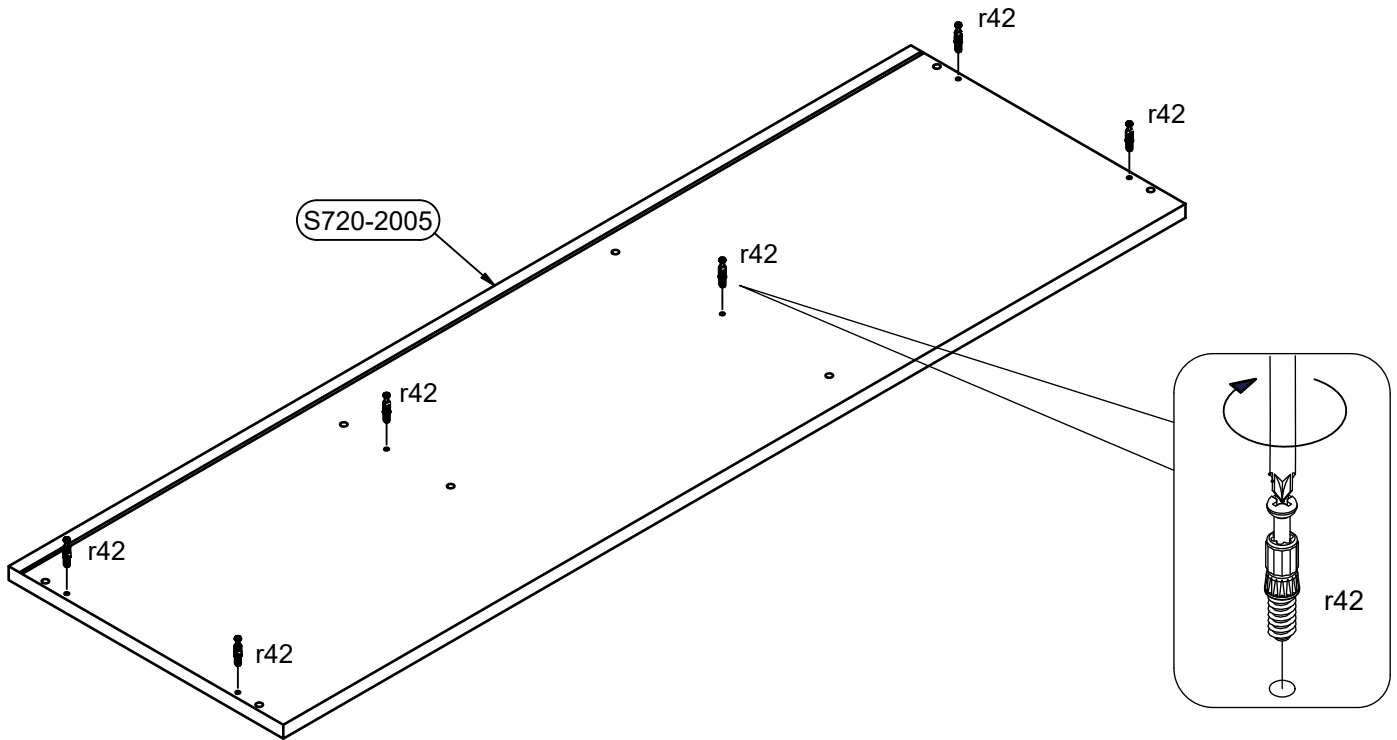
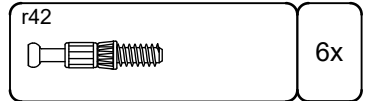
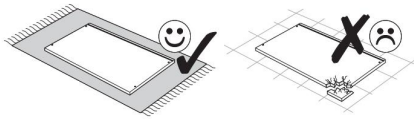
**3** 



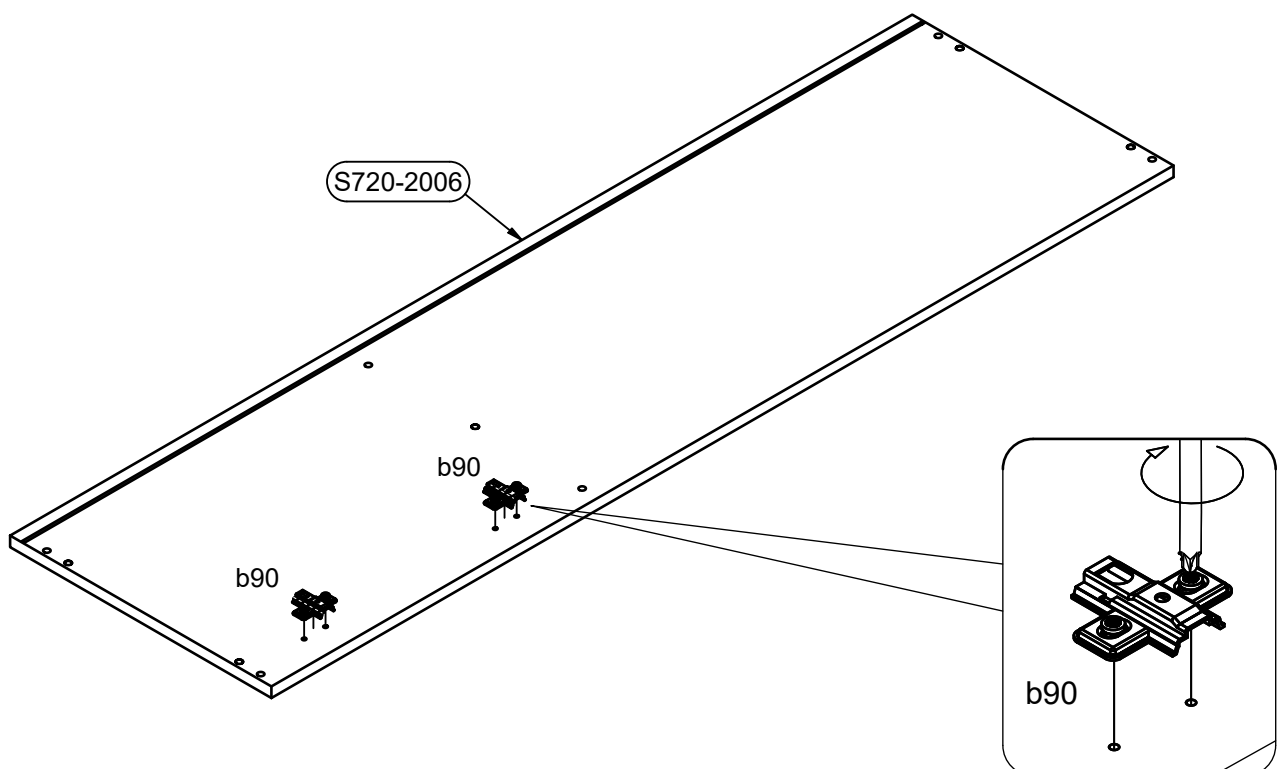
w152\2  L350	1x	p1  Ø3.5x13 mm	3x	f1  30mm	4x	r1  15x12mm	1x
<b>4</b> 		n79\1 	1x	p25  Ø3,5x16 mm	3x	r42 	2x



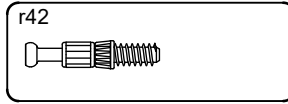
5



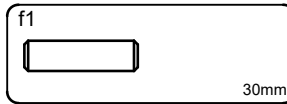
6



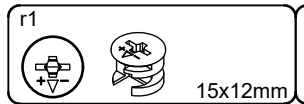
7



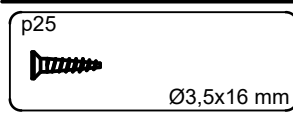
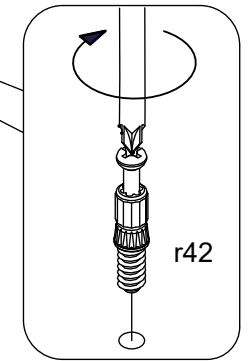
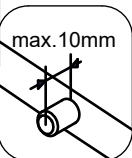
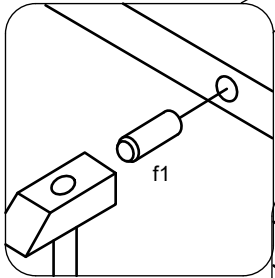
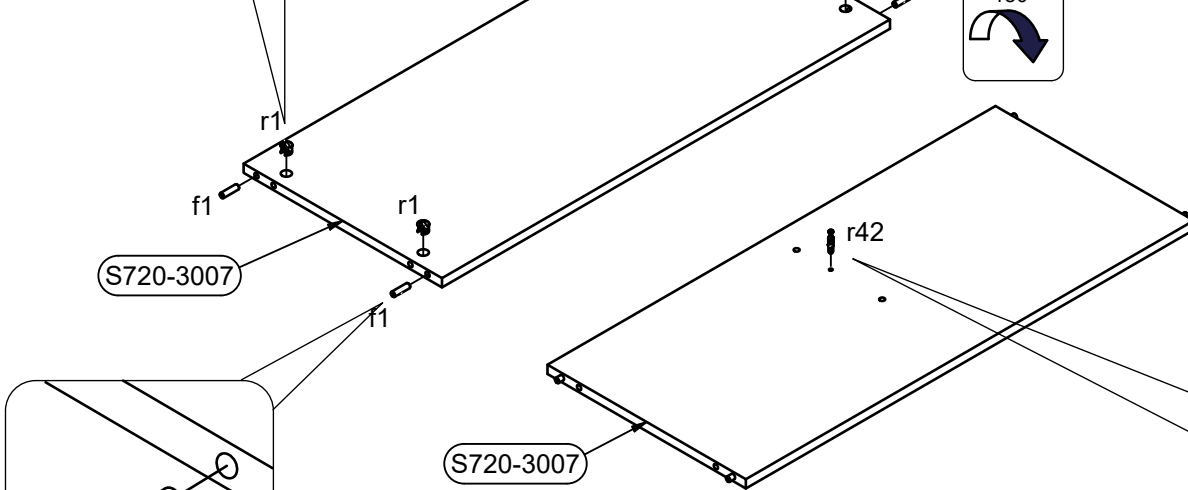
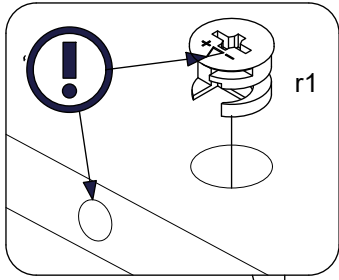
1x



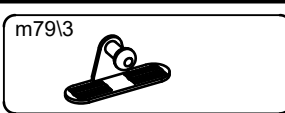
4x



4x



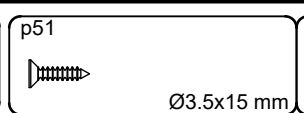
4x



2x



2x

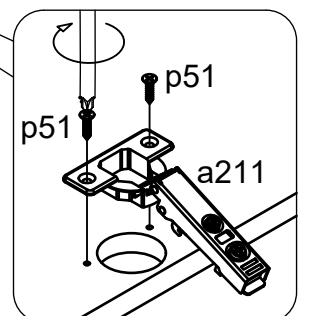
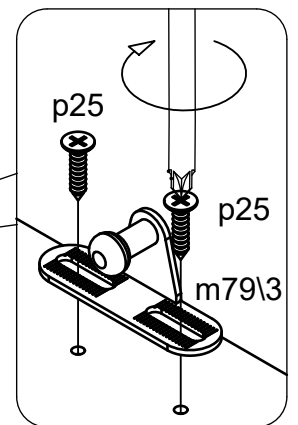
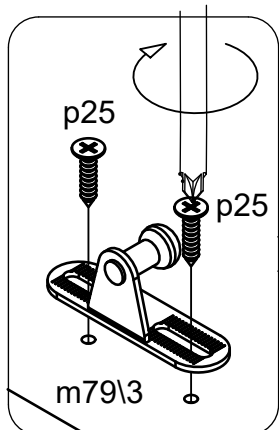
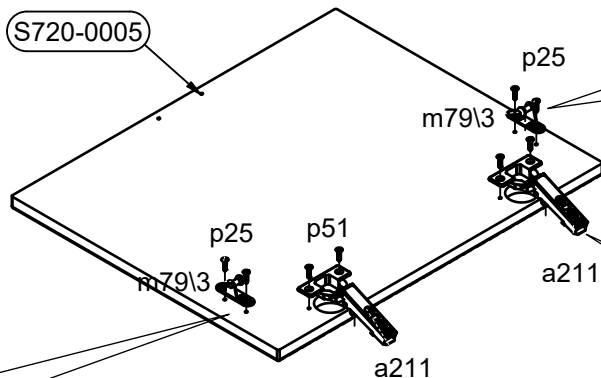


4x

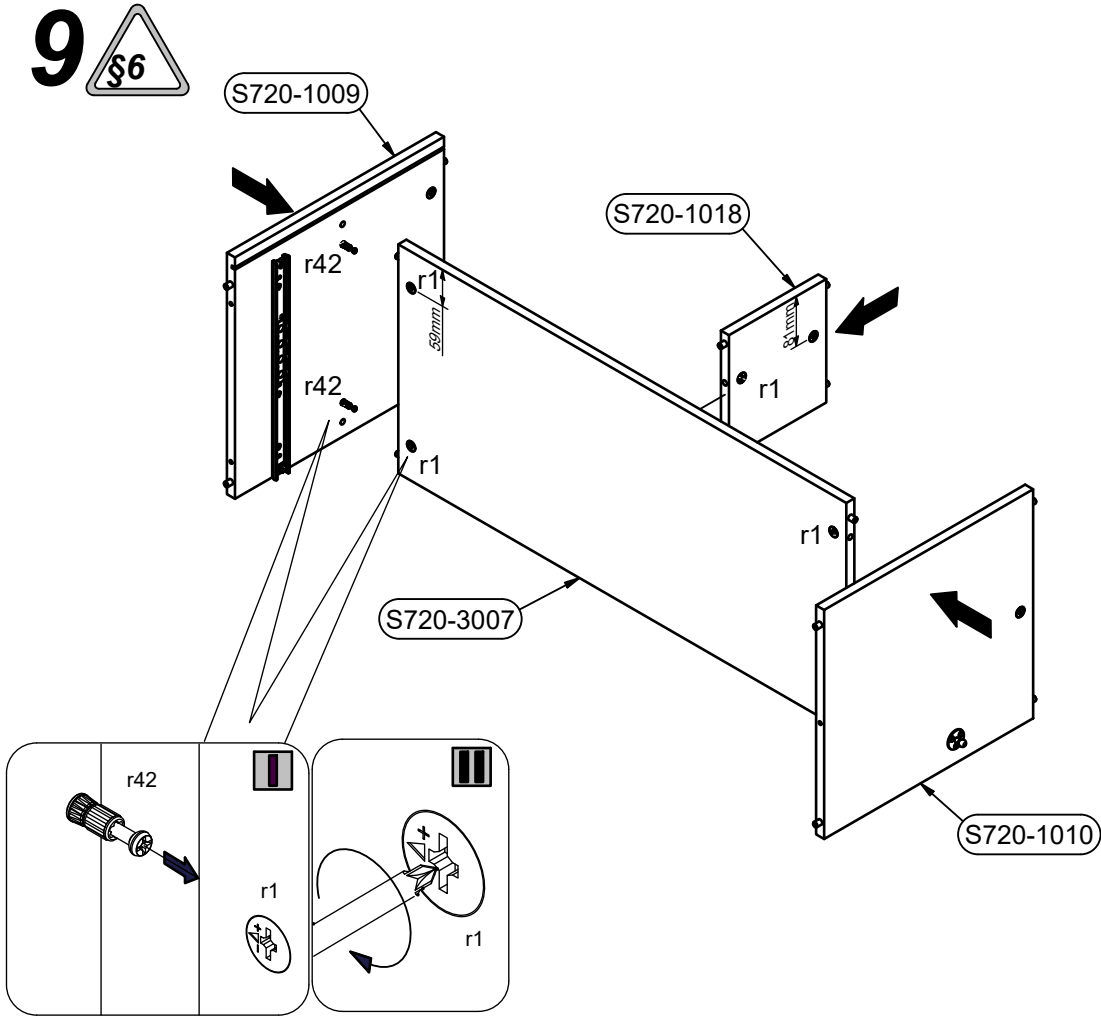
8



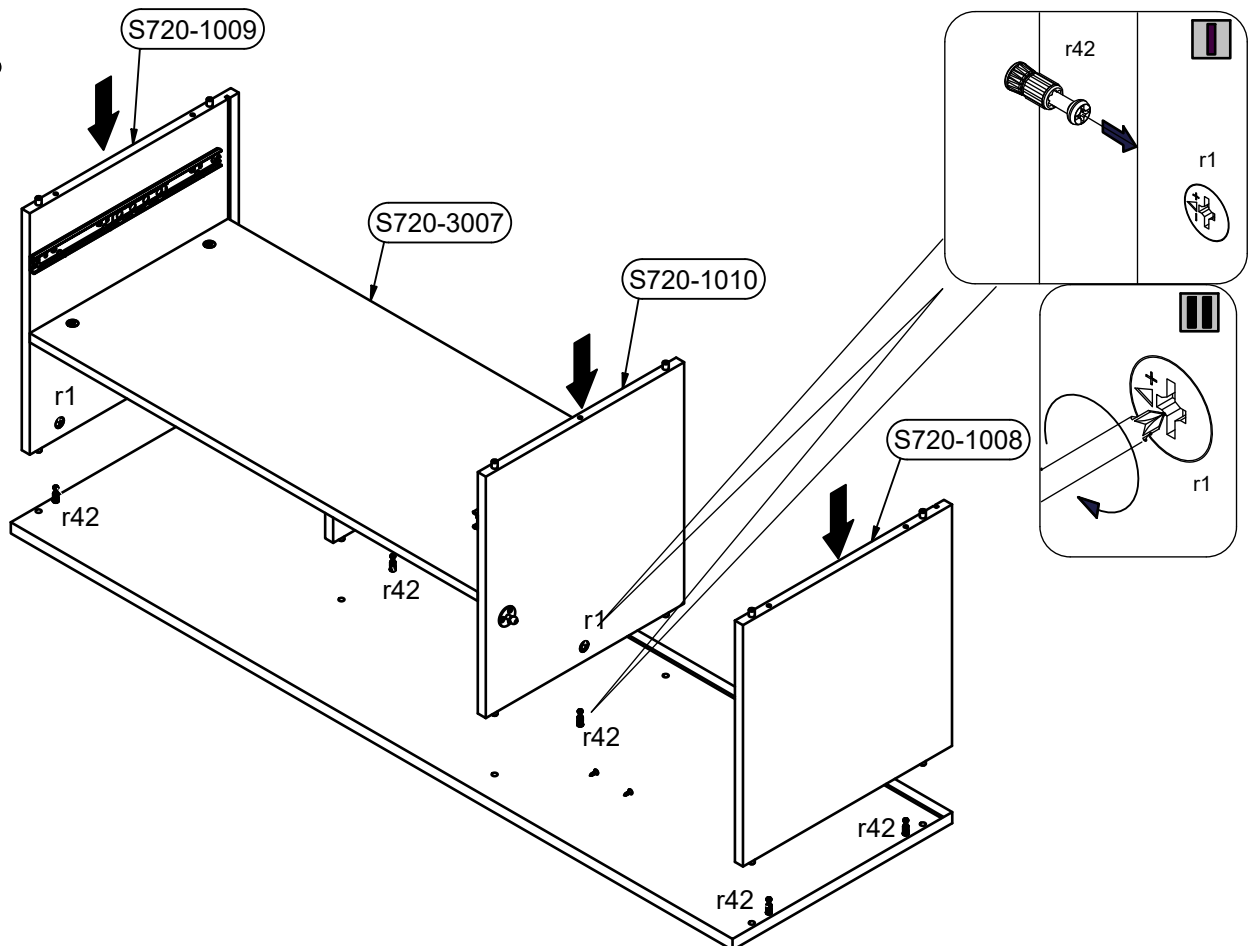
S720-0005



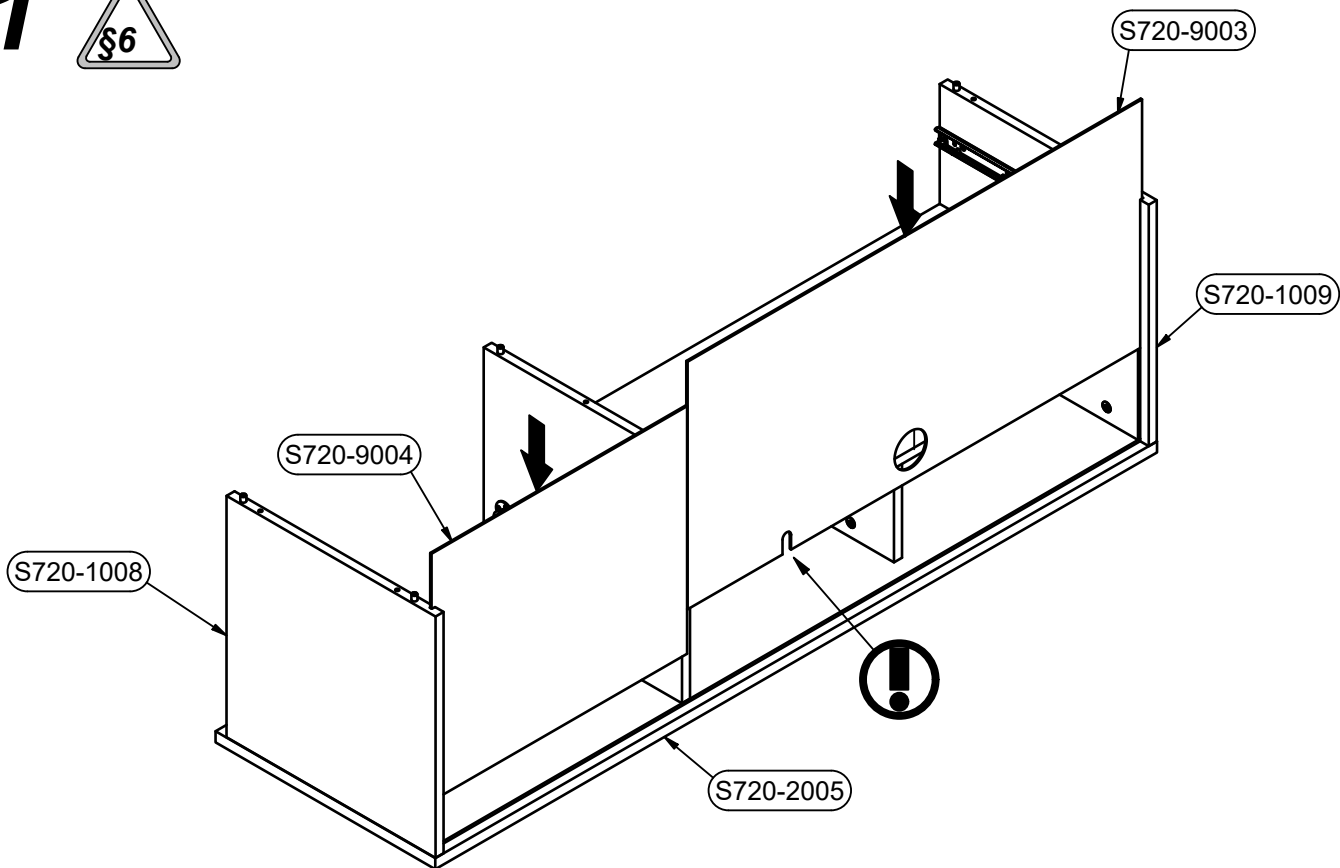
9 



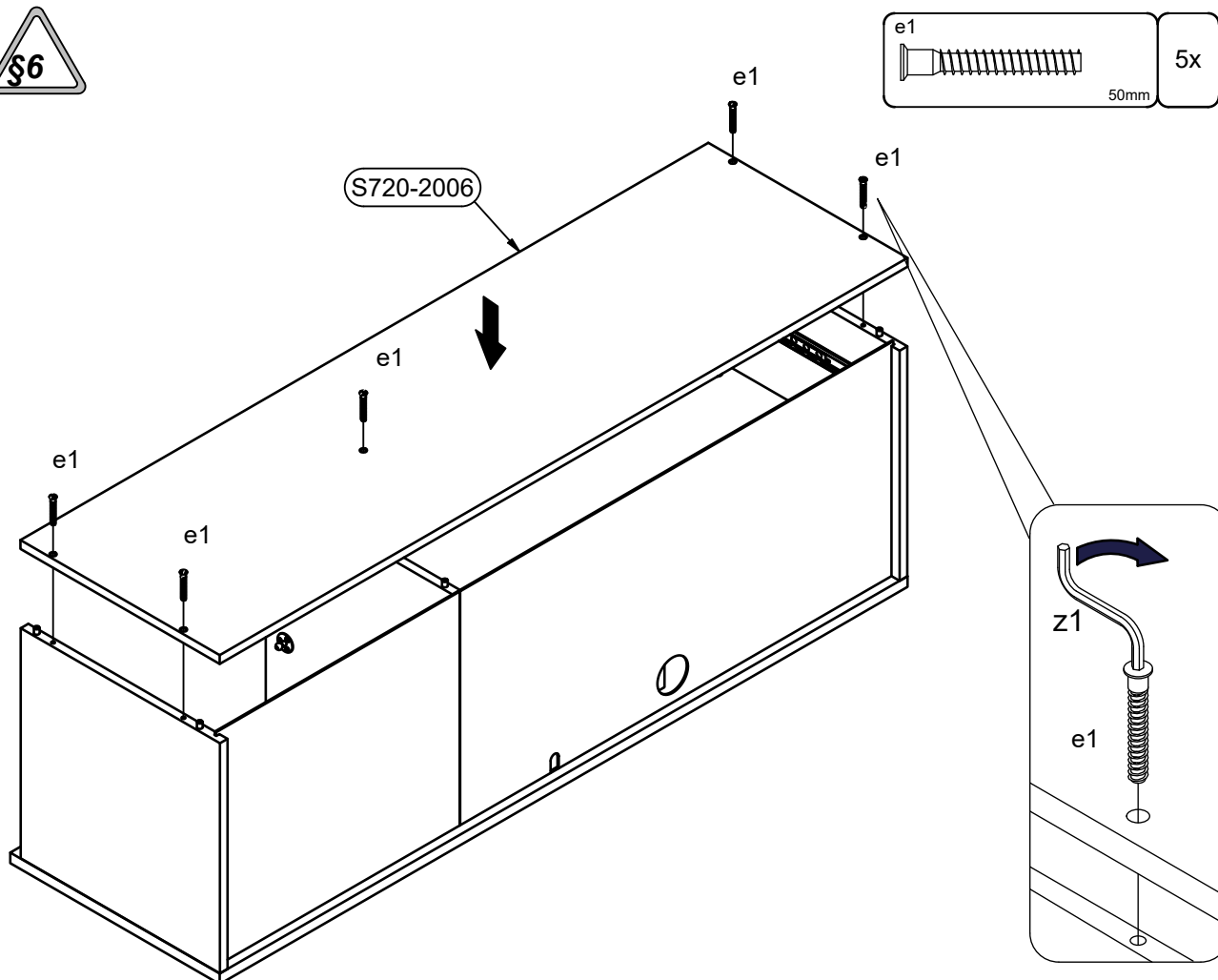
10 




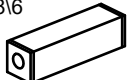

11

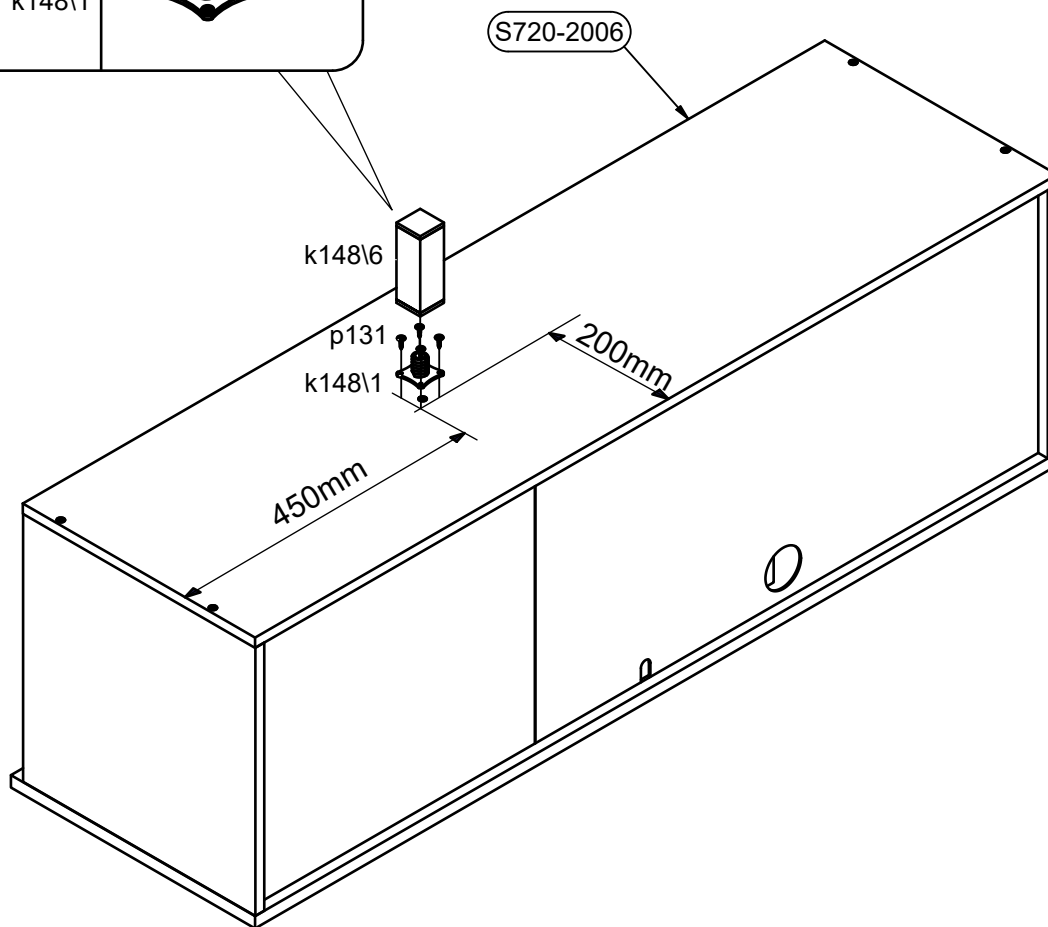
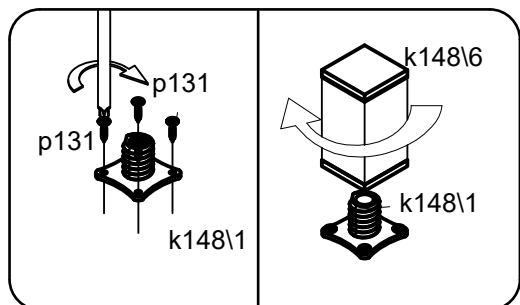


12



# 13

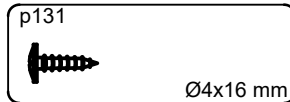
<p>p131  Ø4x16 mm</p>	<p>4x</p>	<p>k148\6 </p>	<p>1x</p>	<p>k148\1 </p>	<p>1x</p>
--	-----------	--	-----------	---	-----------



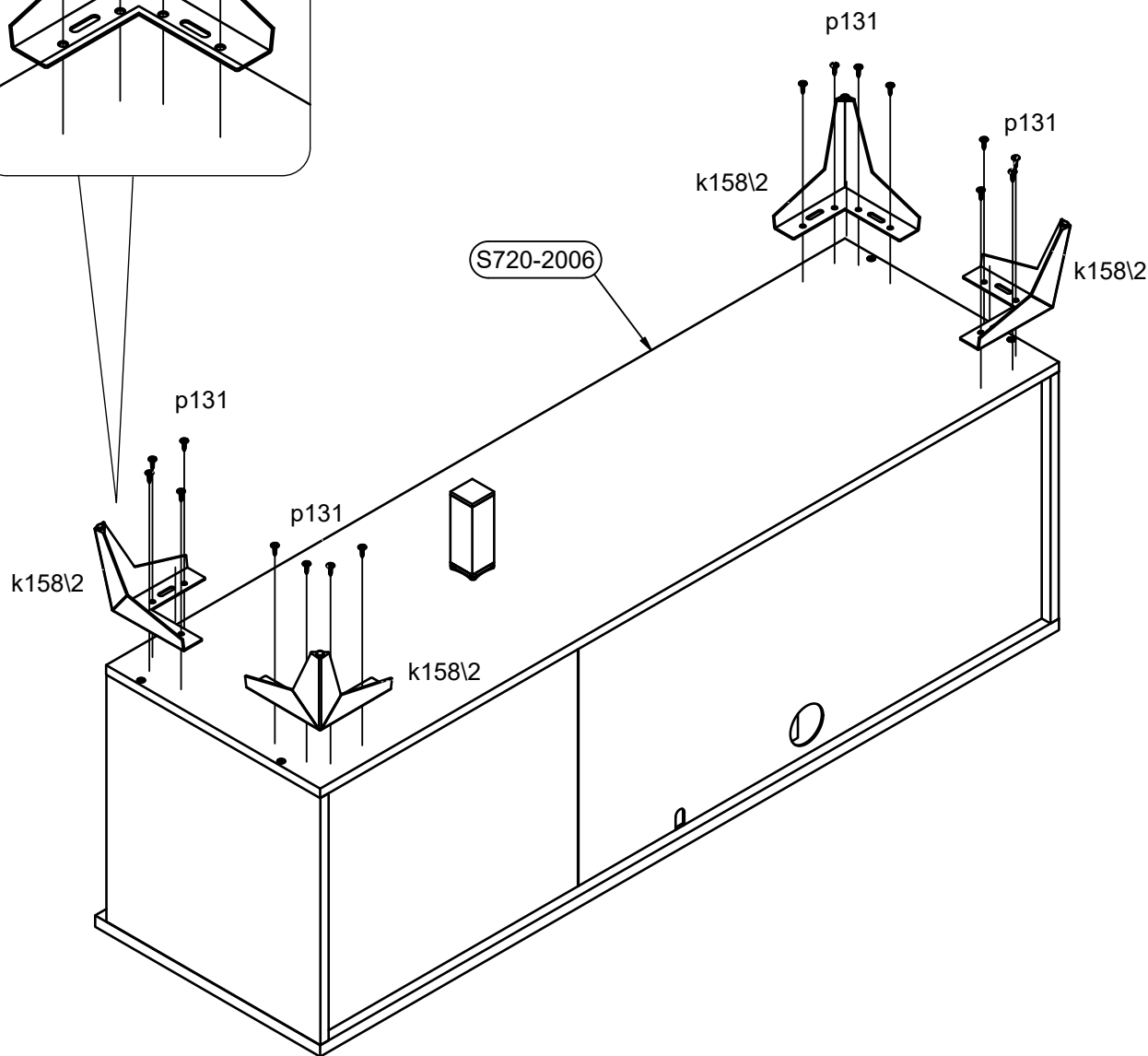
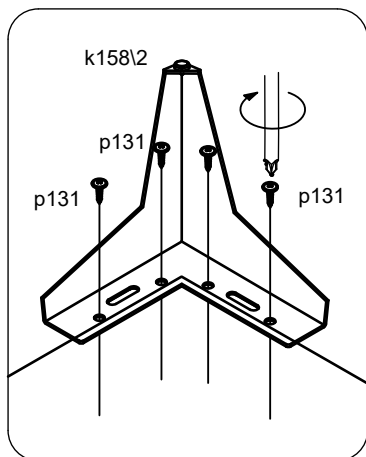
15



4x

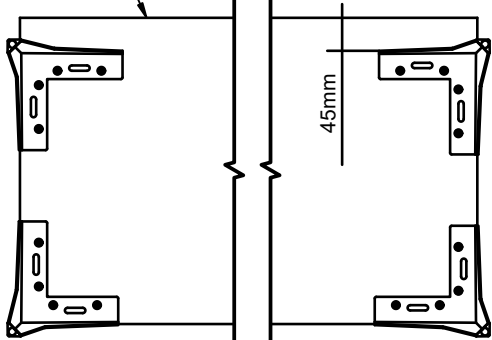


16x  
Ø4x16 mm

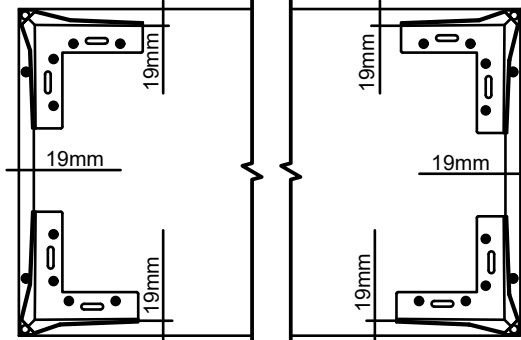


BACK

A

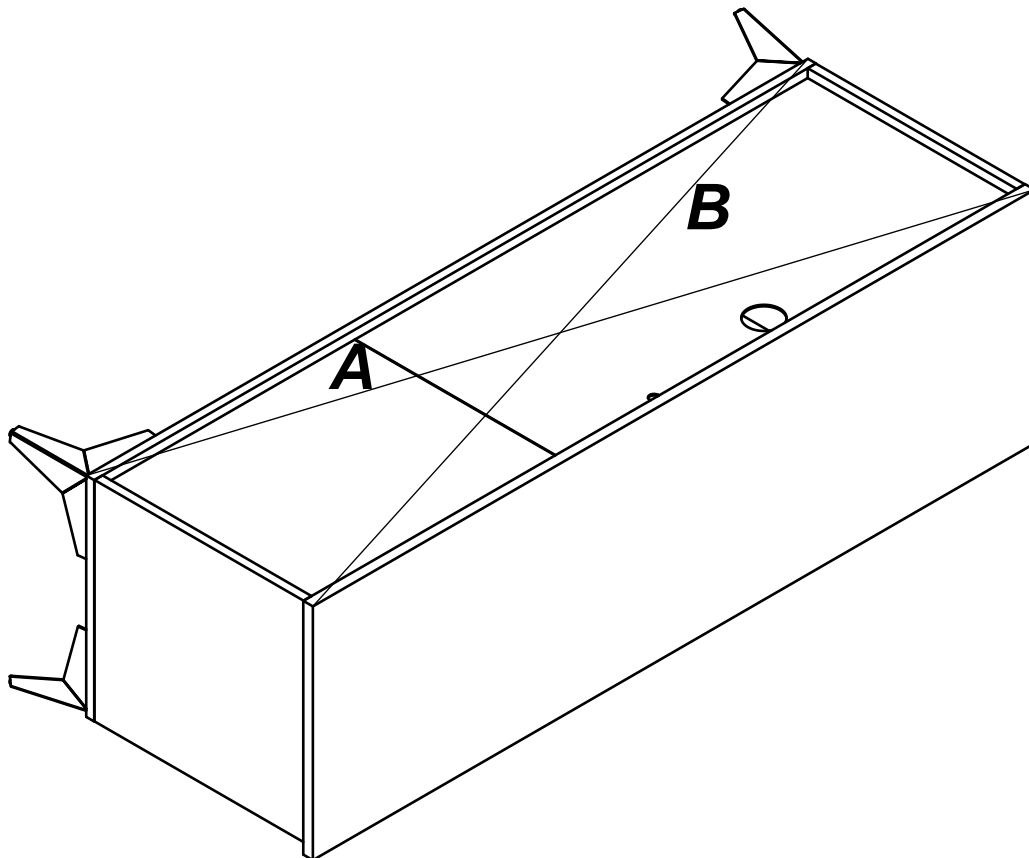



B






# 16

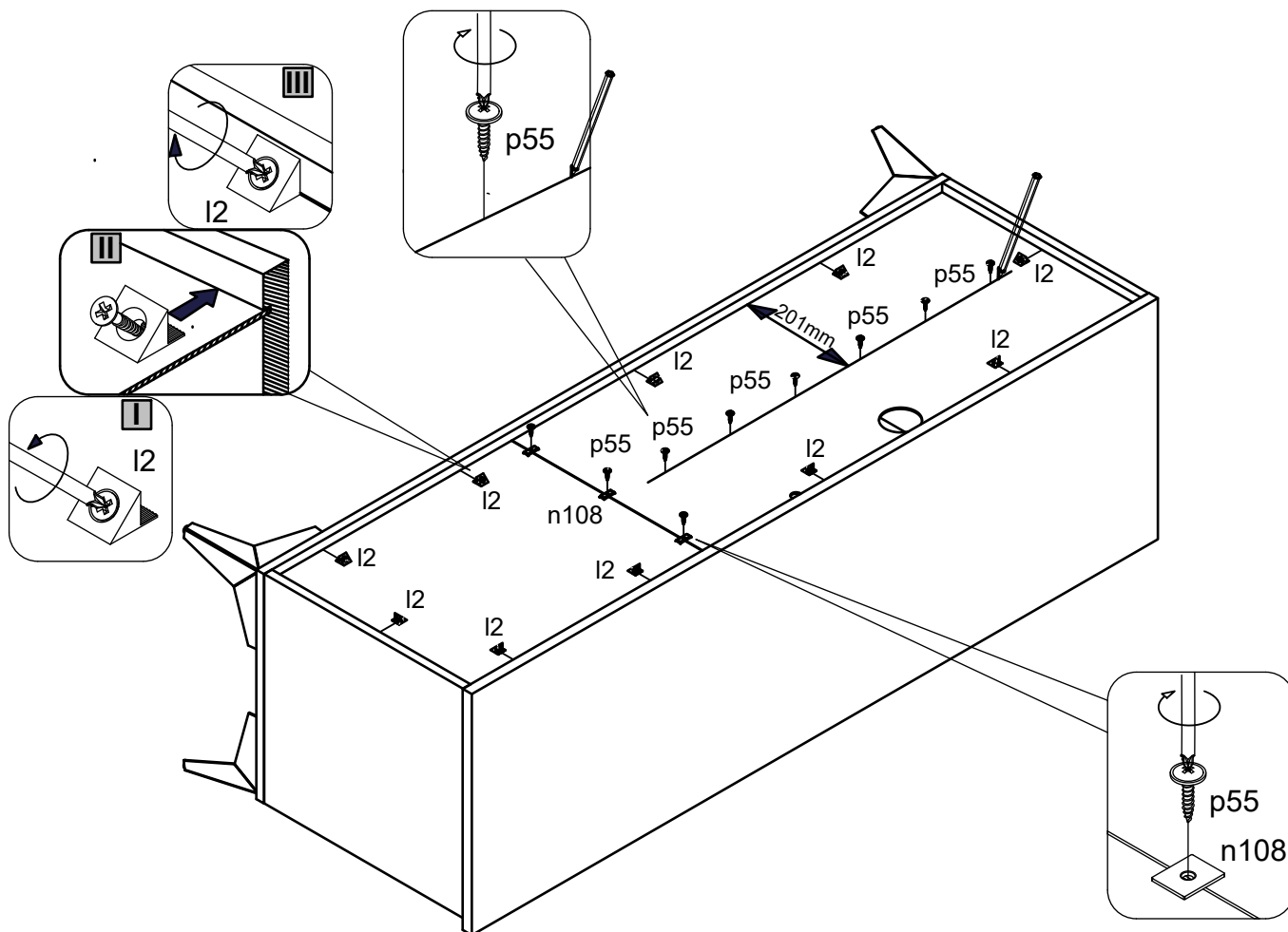
# A=B

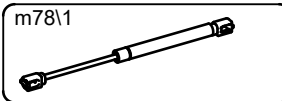
# 17



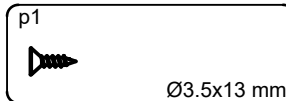
n108		3x	p55		9x	l2		10x
			2.9x16mm					



18

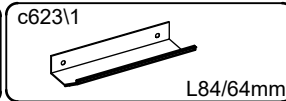


2x



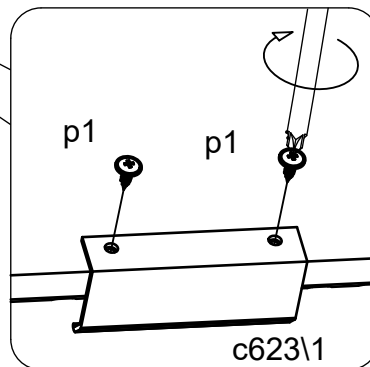
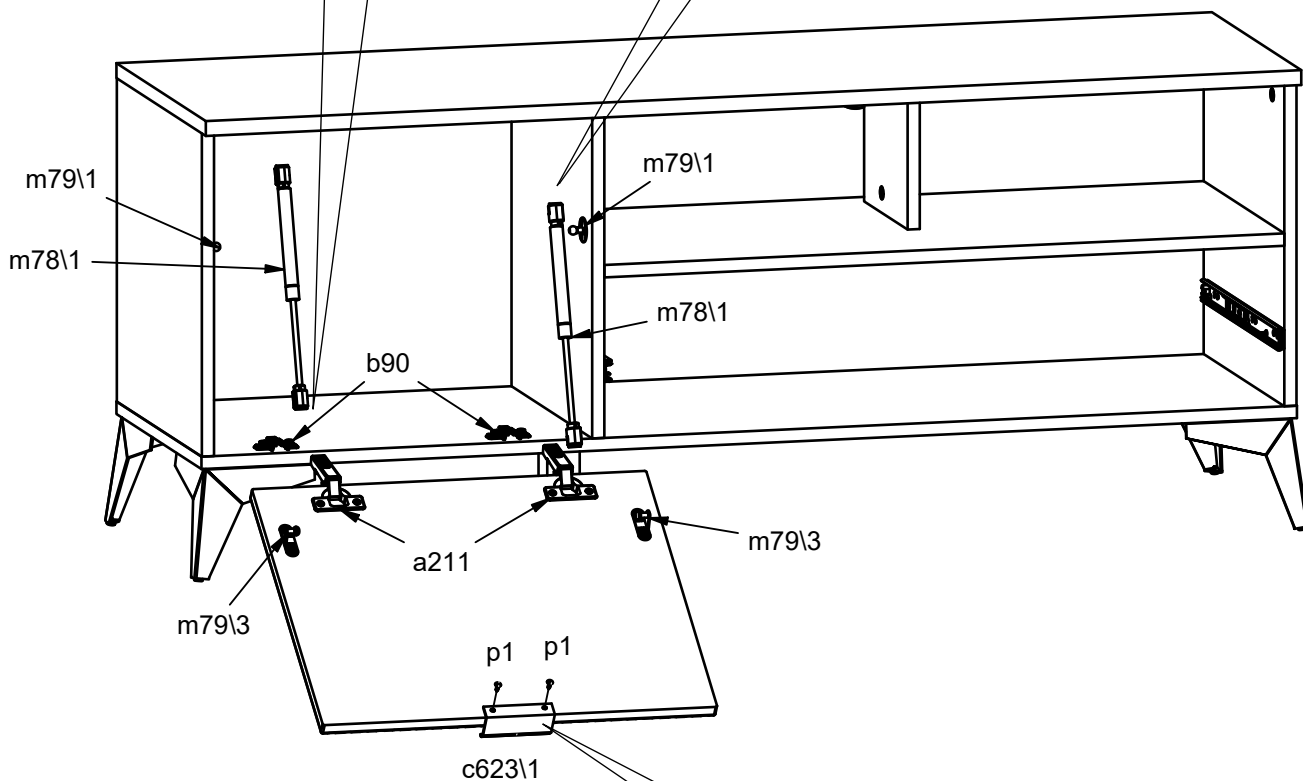
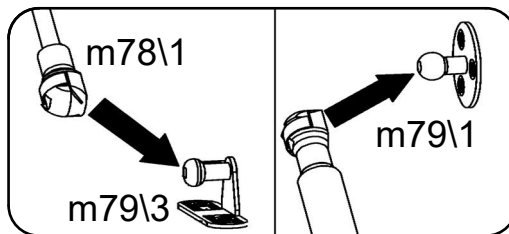
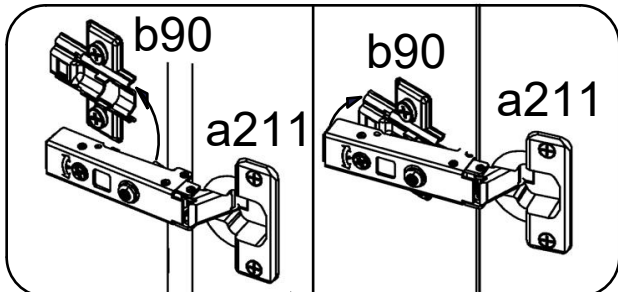
Ø3.5x13 mm

2x

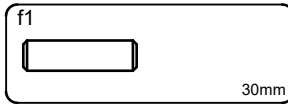


L84/64mm

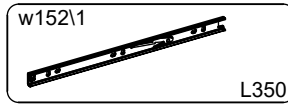
1x



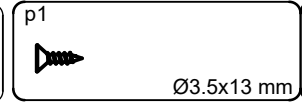
19



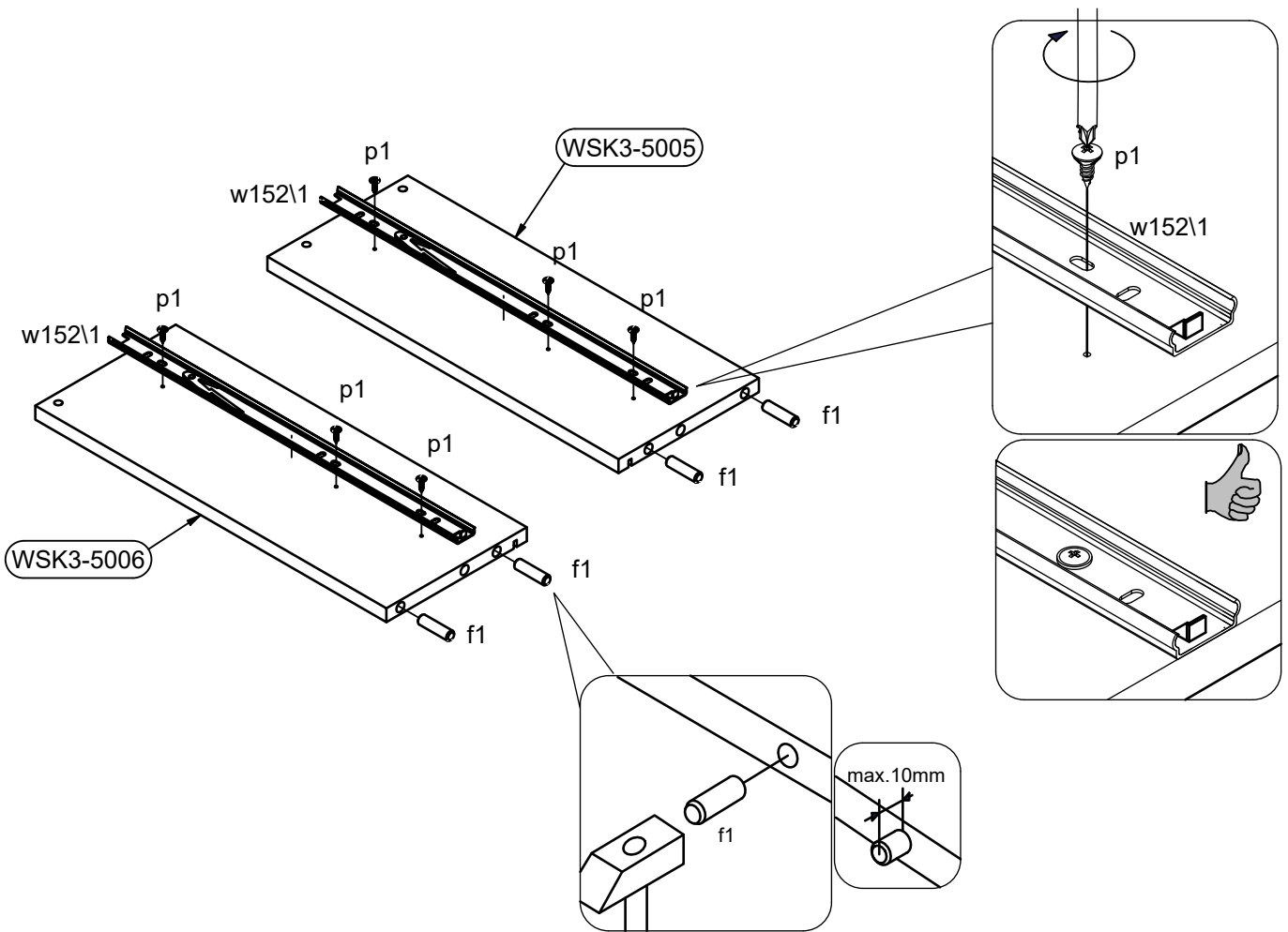
4x



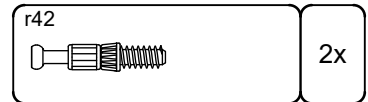
2x



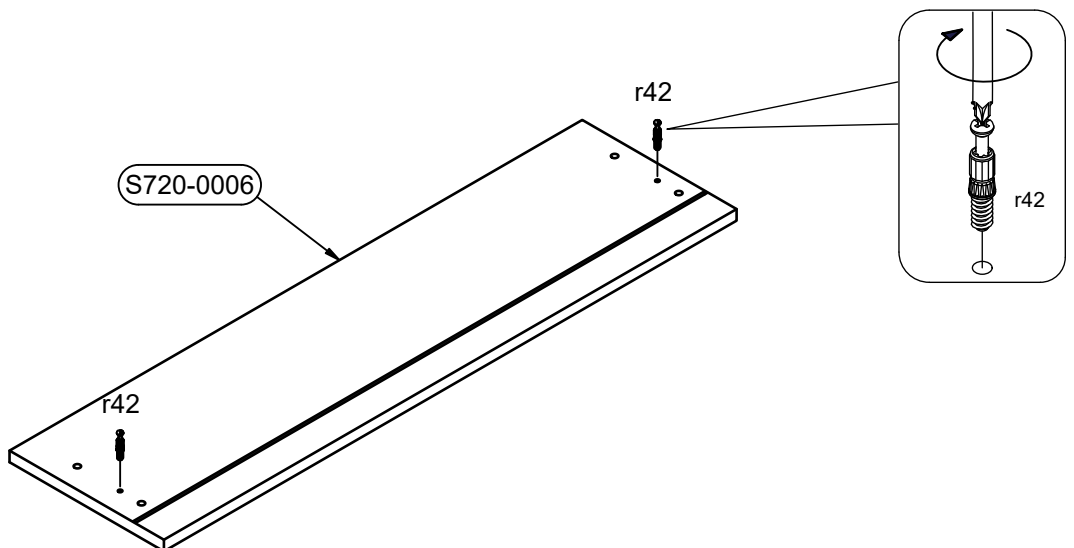
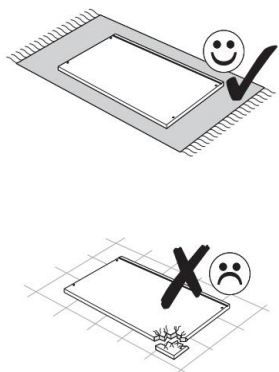
6x



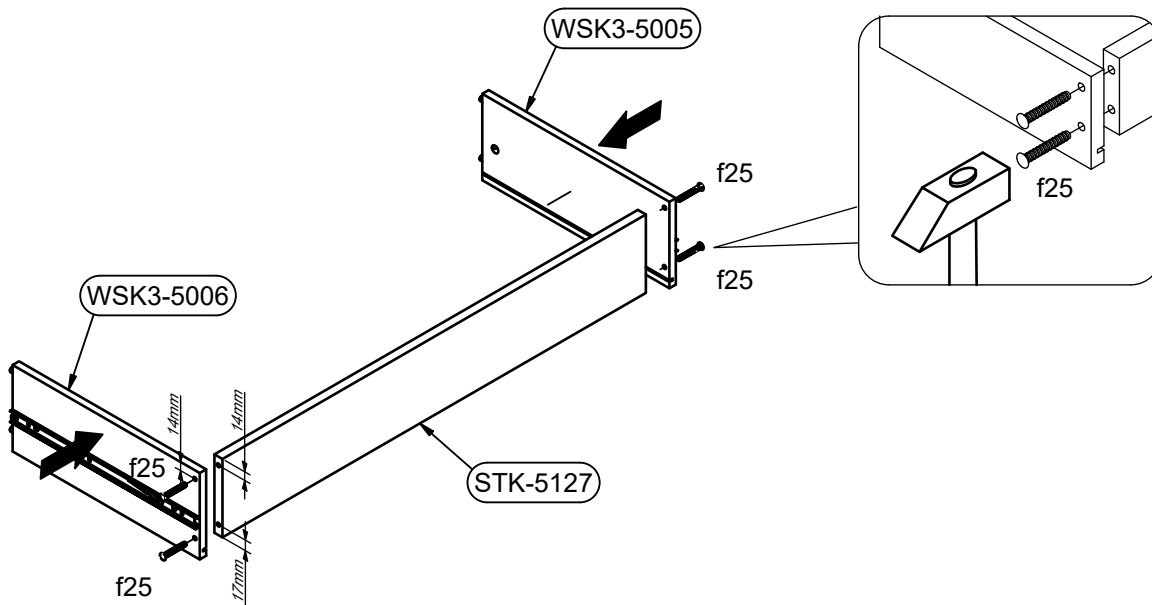
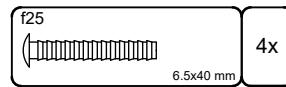
20



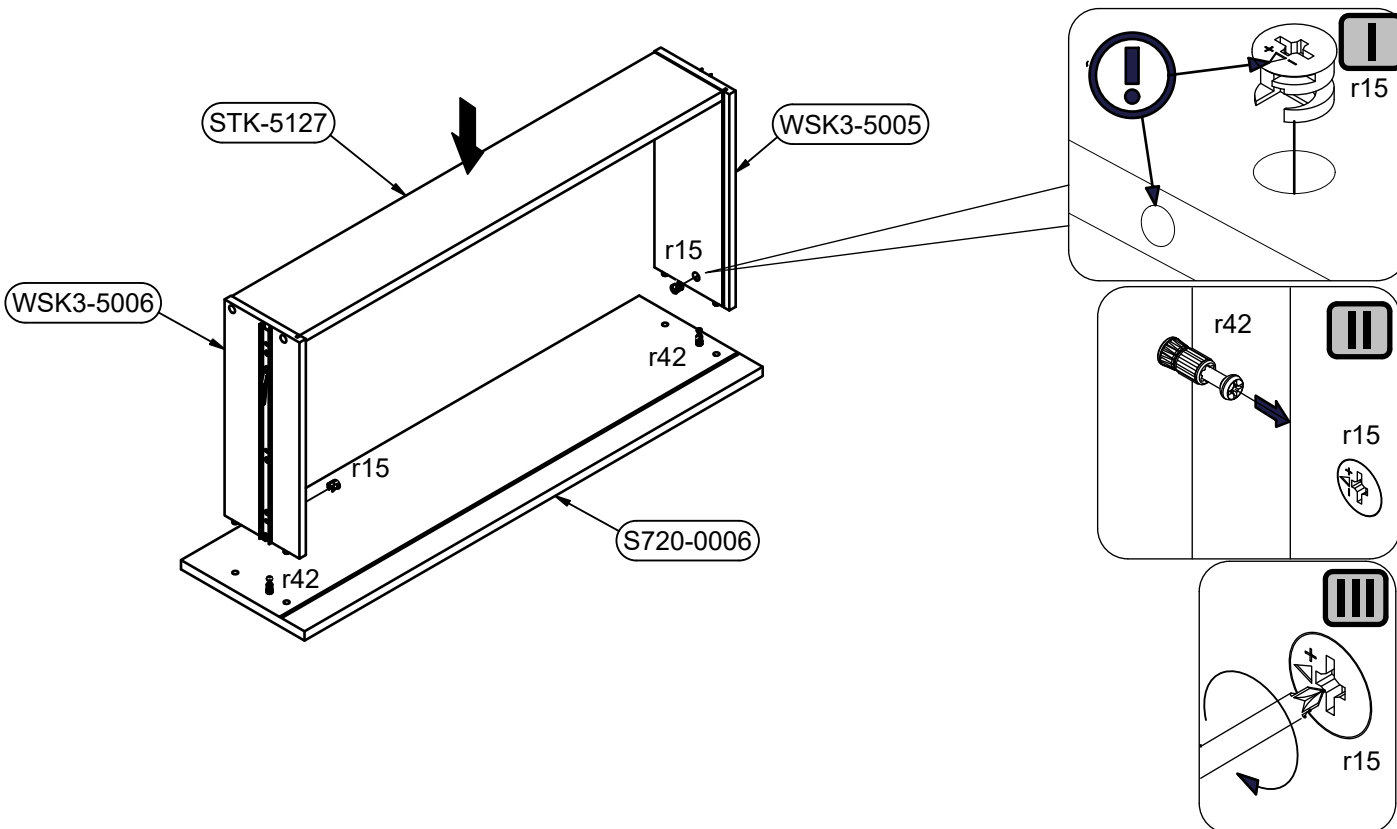
2x



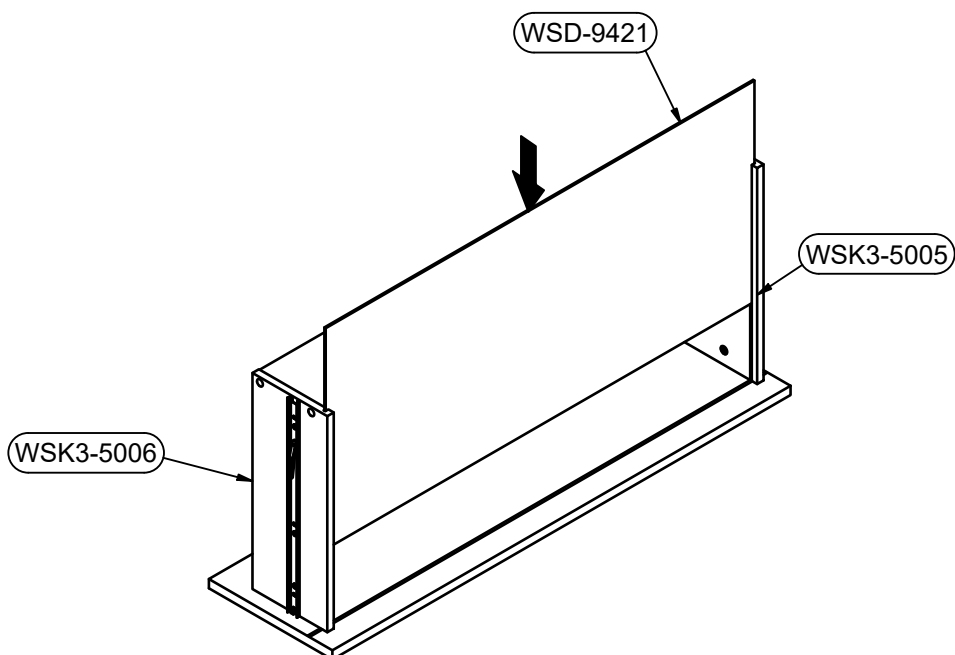
21



22



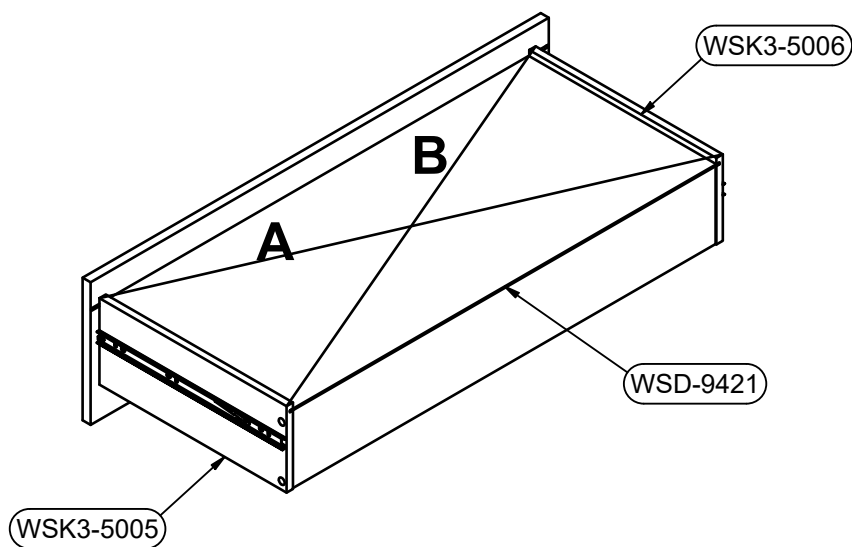
23



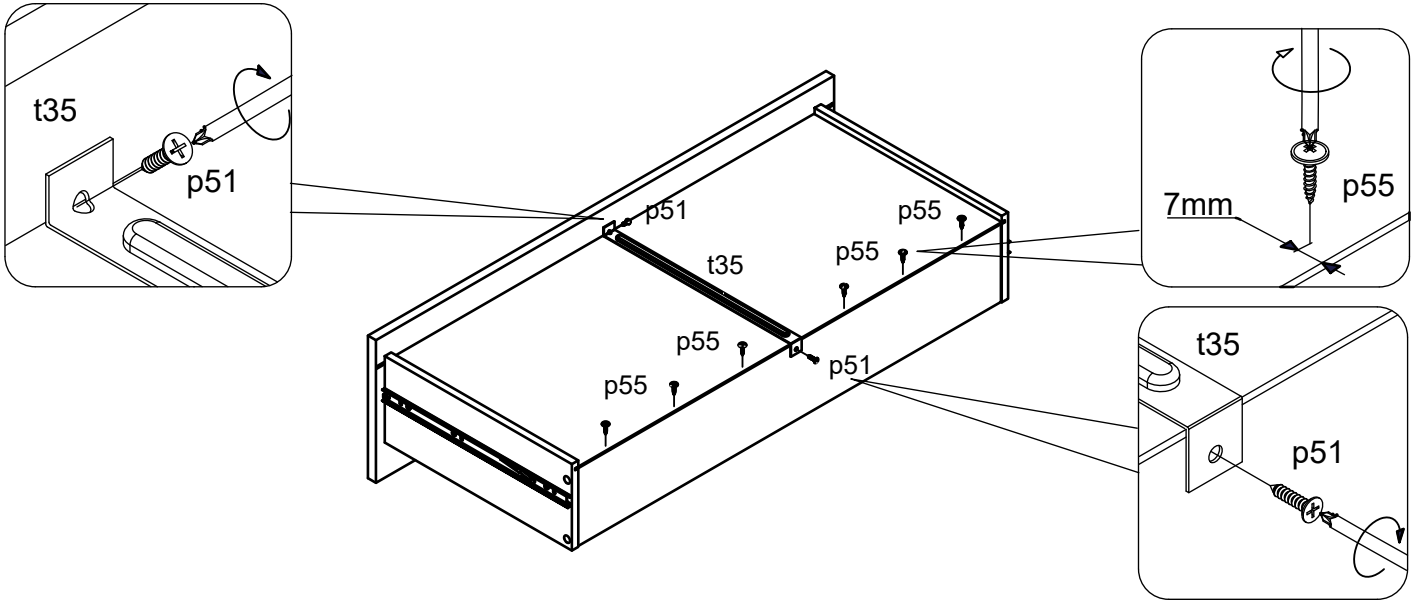
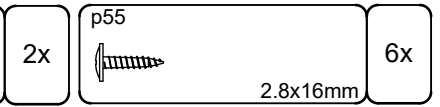
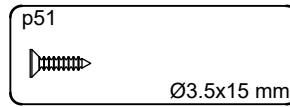
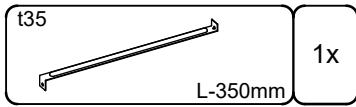
24



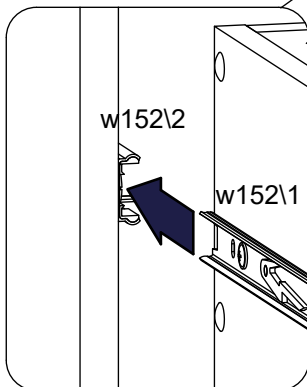
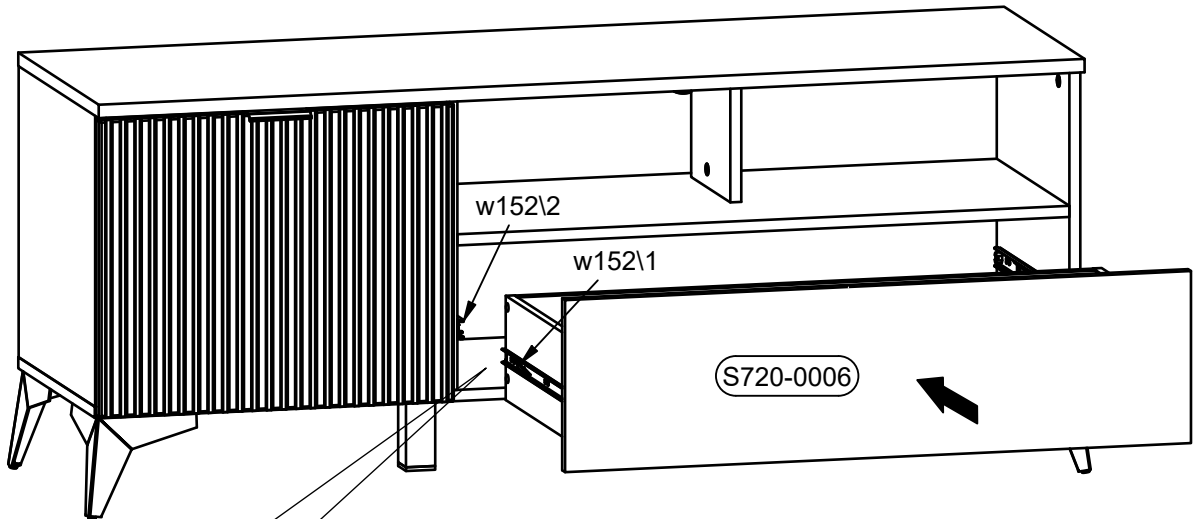
⚠  
**A=B**



25



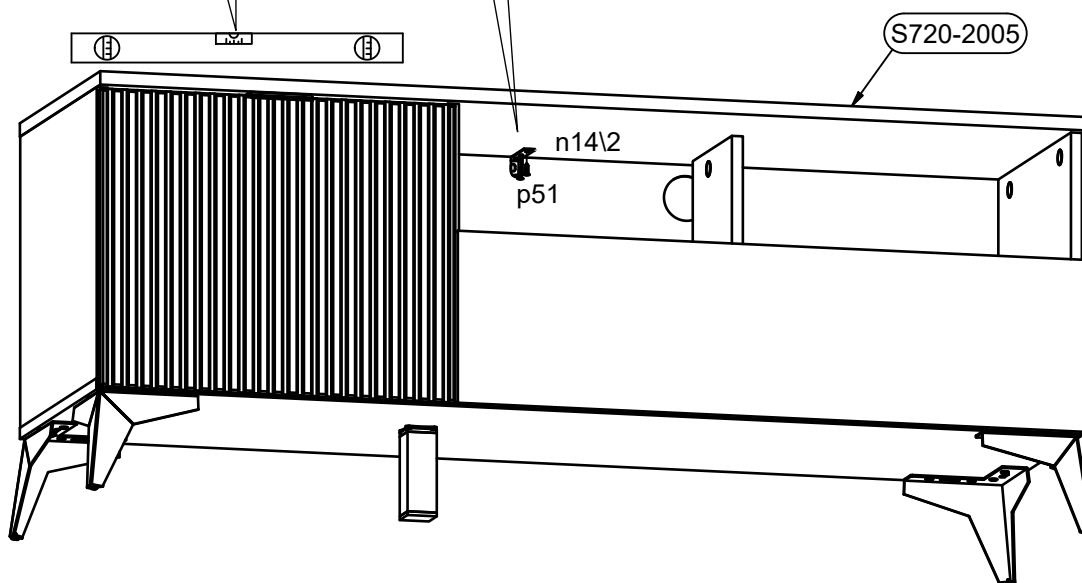
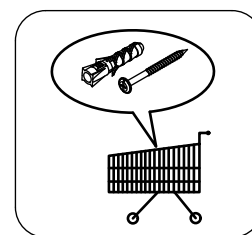
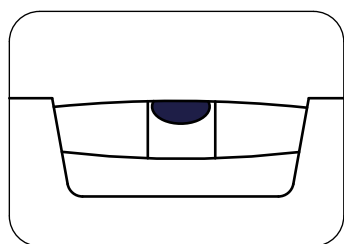
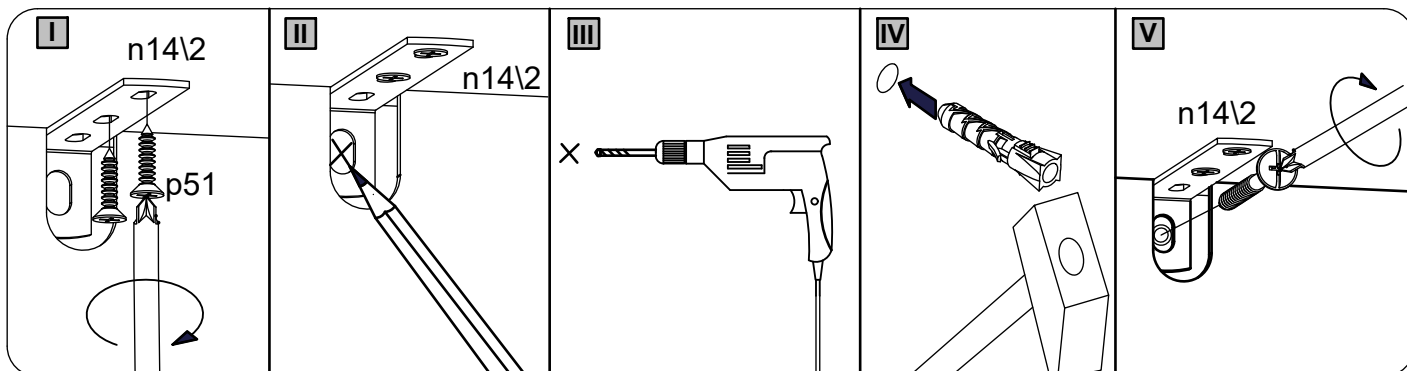
26



# 27



n14\2	1x	p51	2x
			3.5x15mm



28

