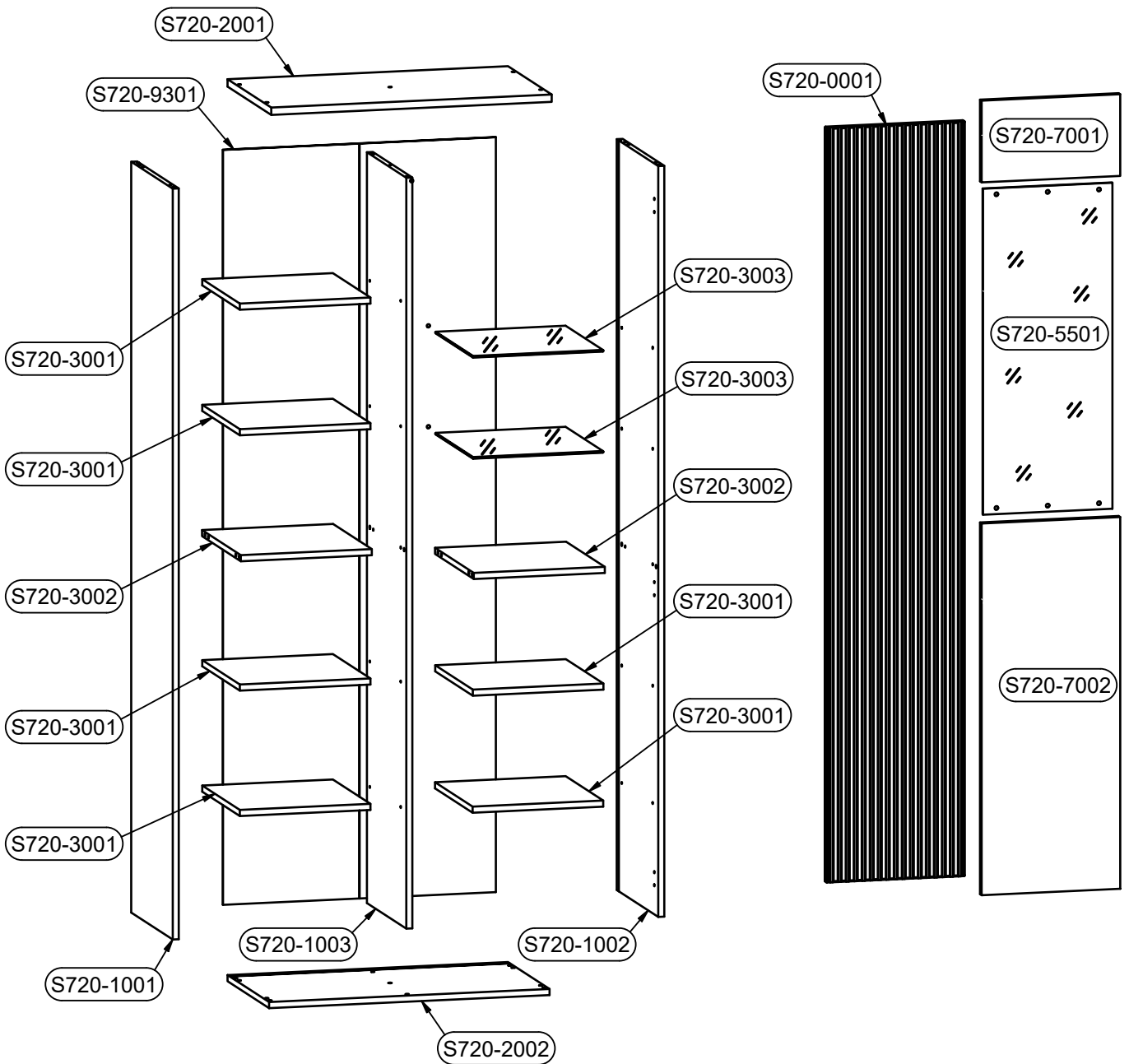
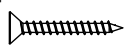


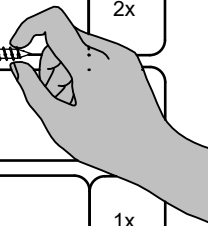





B1	B2	C1	C2	C3	C4	D
S720-0001	-.2	1848	346	16	1	3/4
S720-1001	-.2	1838	387	15	1	2/4
S720-1002	-.1	1838	387	15	1	2/4
S720-1003	-	1838	367	15	1	2/4
S720-2001	-.1	700	407	18	1	1/4
S720-2002	-.1	700	387	15	1	1/4
S720-3001	-	326	350	15	6	1/4
S720-3002	-	327	361	15	2	3/4
S720-3003	-	350	326	4	2	1/4
S720-5501	-	798	323	4	1	3/4
S720-7001	-	200	346	15	1	3/4
S720-7002	-.1	910	346	15	1	3/4
S720-9301	-	1848	681	2,5	1	3/4




1:1

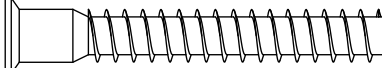
p16		2x
p55		
f1		1x





p16		2x
p55		1x
f1		1x




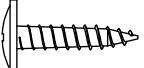
D
3/4

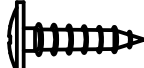
e1		10x
	50mm	


e47		6x
	Ø5x16 mm	

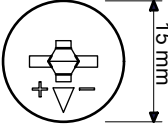
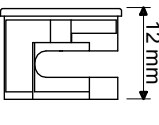
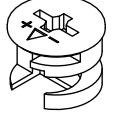
f1		20x
	30mm	

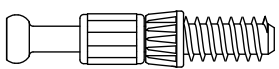
p51		14x
	3.5x15mm	

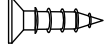
p55		6x
	2.9x16mm	

p131		20x
	Ø4x16 mm	

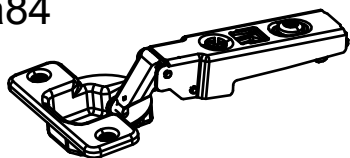
p1		2x
	Ø3.5x13 mm	

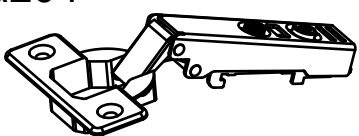
r1	  	8x
	15 mm 12 mm 15x12mm	

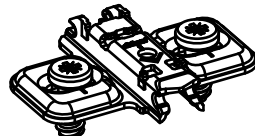
r42		8x
-----	---	----

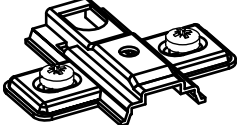
z28\4		3x
	3x12mm	

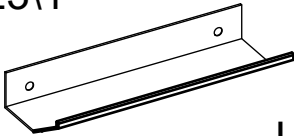
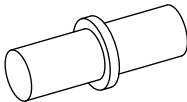
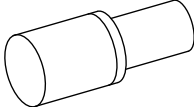
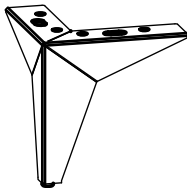
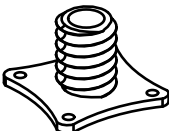
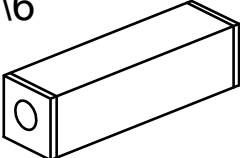
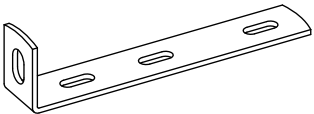
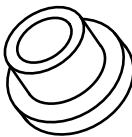
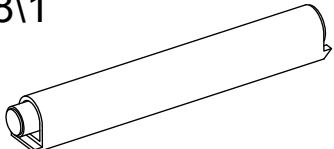
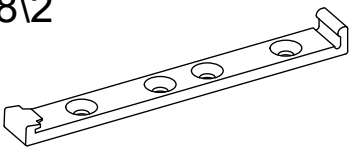
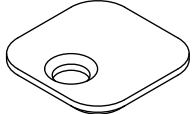
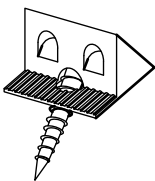
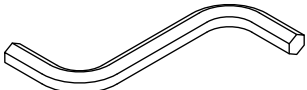
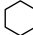
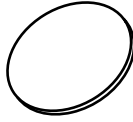
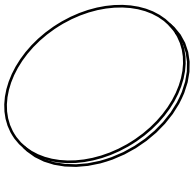
~~1:1~~

a84		3x
-----	---	----

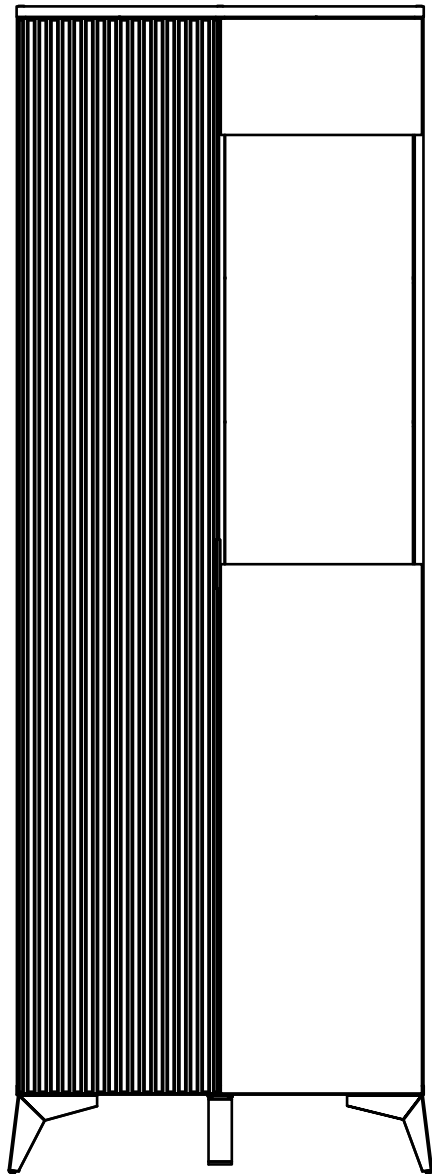
a204		3x
------	--	----

b31		3x
-----	---	----

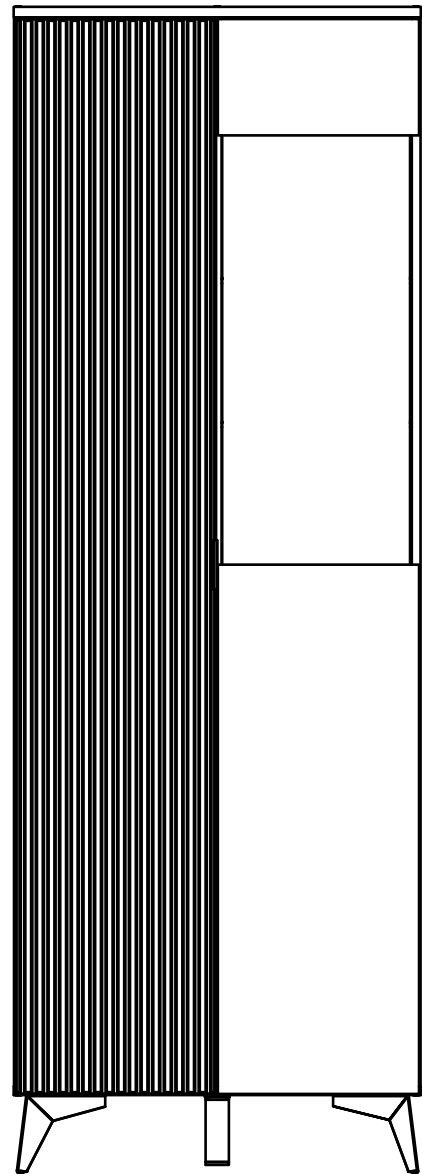
b90		3x
-----	--	----

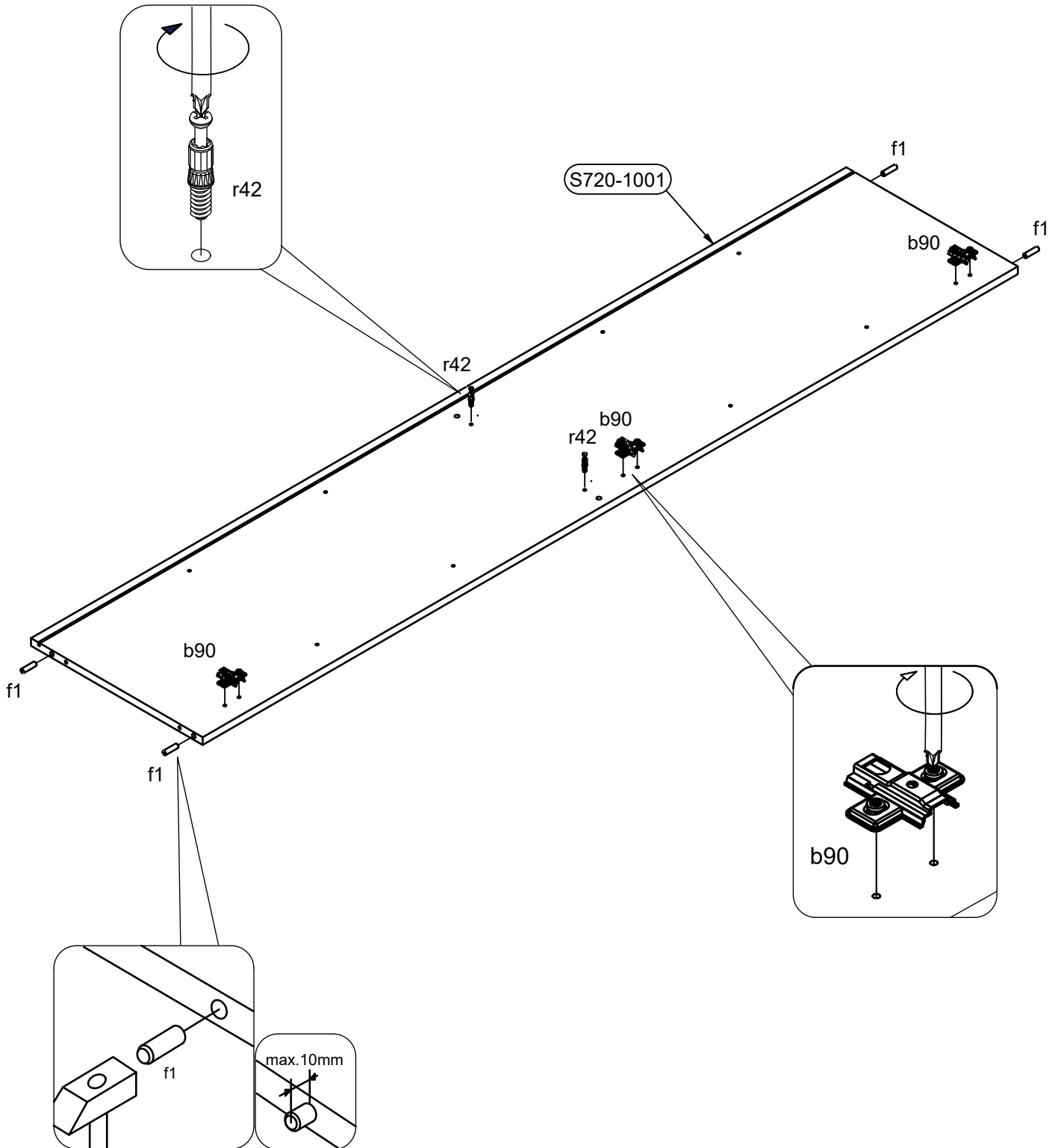
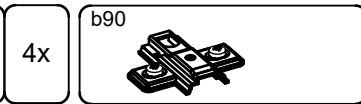
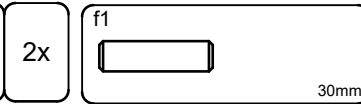
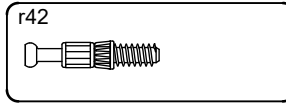
<p>c623\1</p>  <p>L84/64mm</p>	<p>1x</p>	<p>d1</p>  <p>fi5mm</p>	<p>24x</p>
<p>d3</p> 	<p>8x</p>	<p>k158\2</p> 	<p>4x</p>
<p>k148\1</p> 	<p>1x</p>	<p>k148\6</p> 	<p>1x</p>
<p>n14\2</p> 	<p>1x</p>	<p>o54</p> 	<p>6x</p>
<p>z28\1</p> 	<p>1x</p>	<p>z28\2</p> 	<p>1x</p>
<p>z28\3</p> 	<p>1x</p>	<p>l2</p> 	<p>14x</p>
<p>z1</p>  <p> 4mm</p>	<p>1x</p>	<p>o21</p>  <p>Ø8/1,8mm</p>	<p>2x</p>
<p>s68</p>  <p>Ø20mm</p>	<p>8x</p>		

A



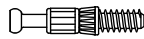
B

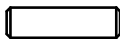





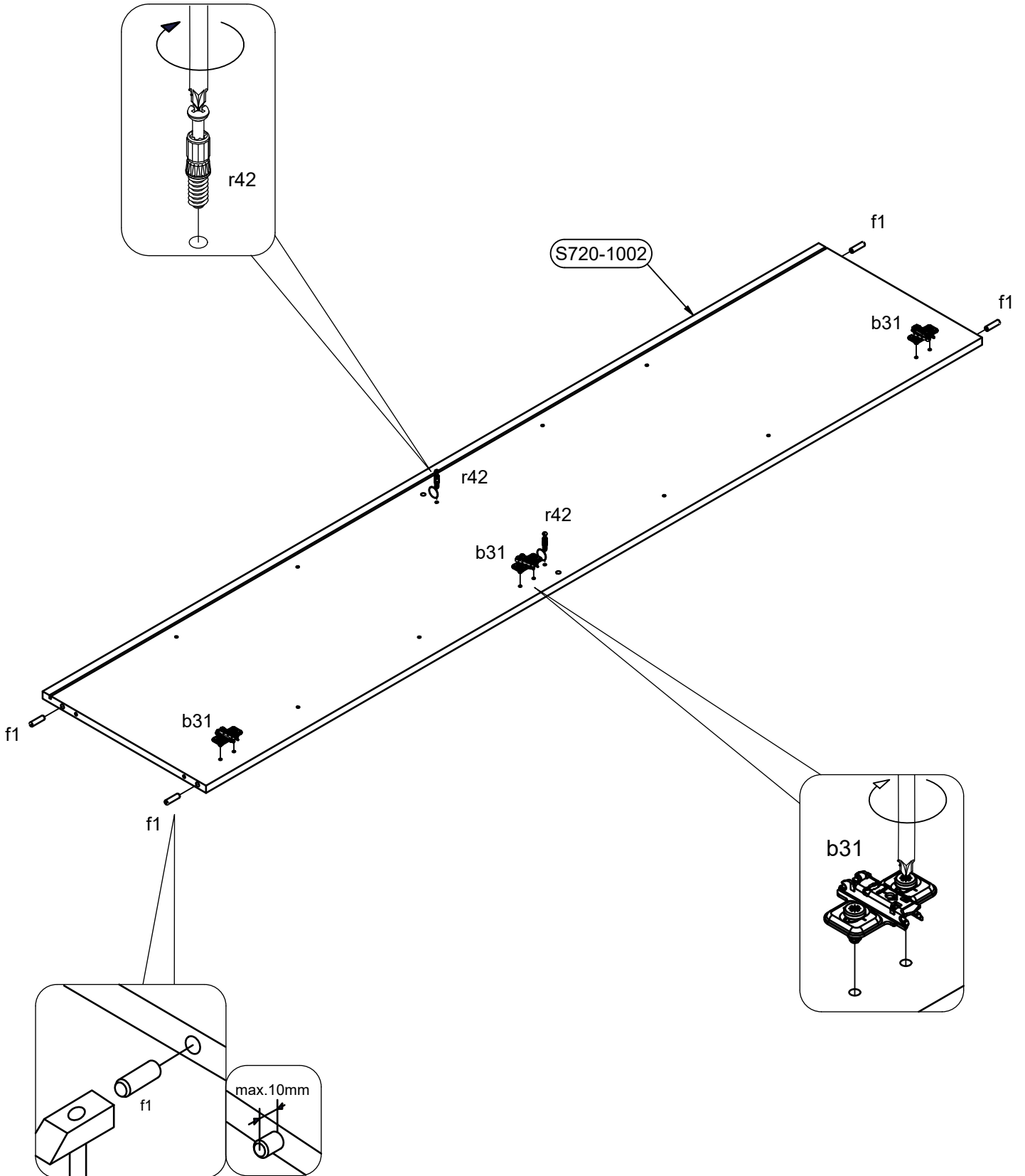
2

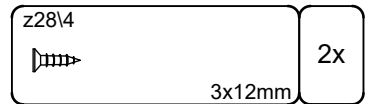
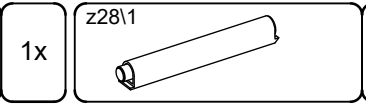
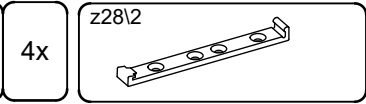
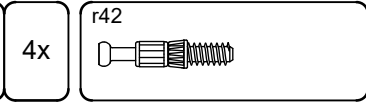
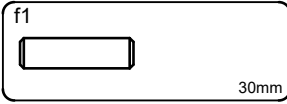


r42  2x

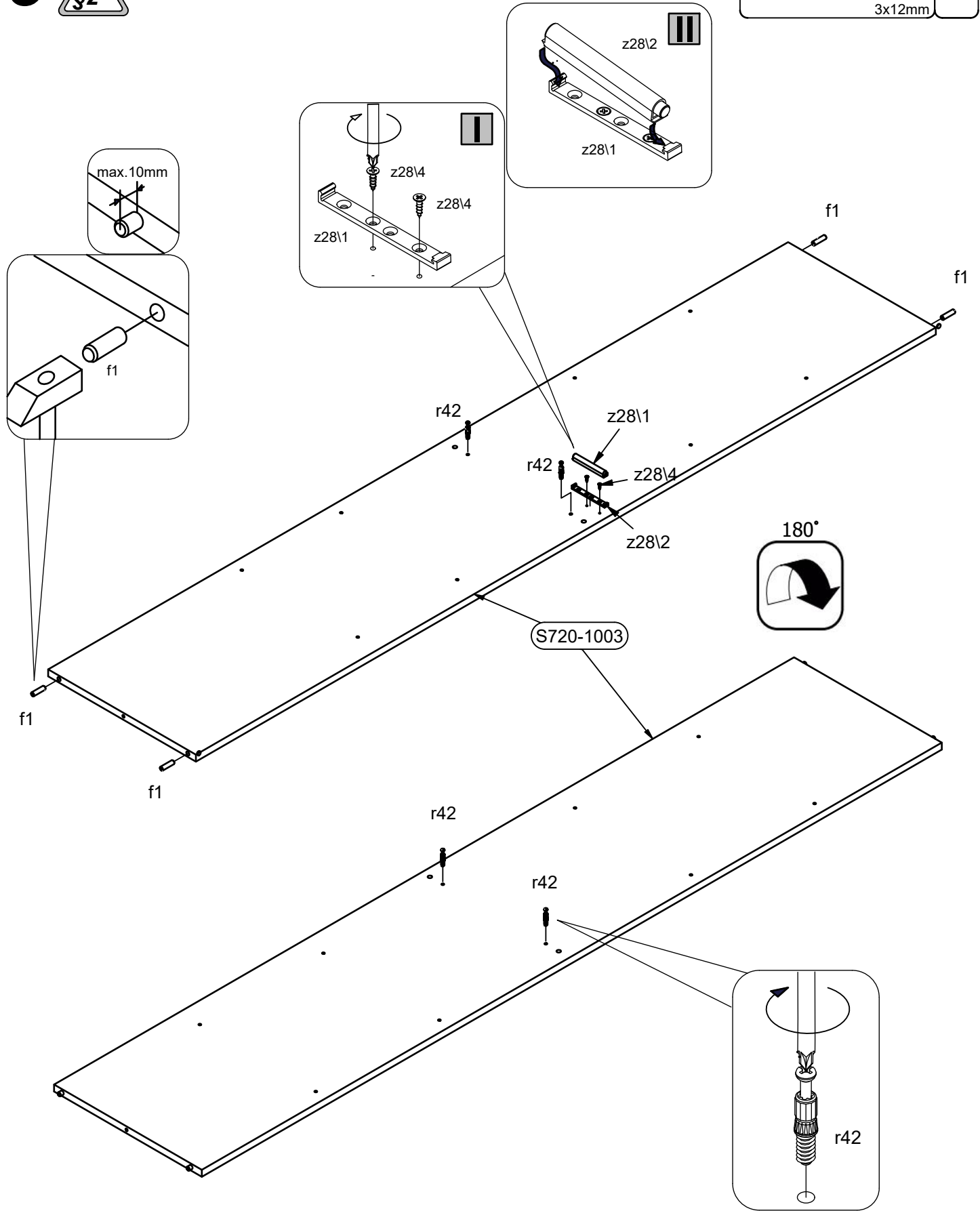
f1  4x
30mm

b31  3x

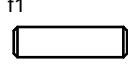




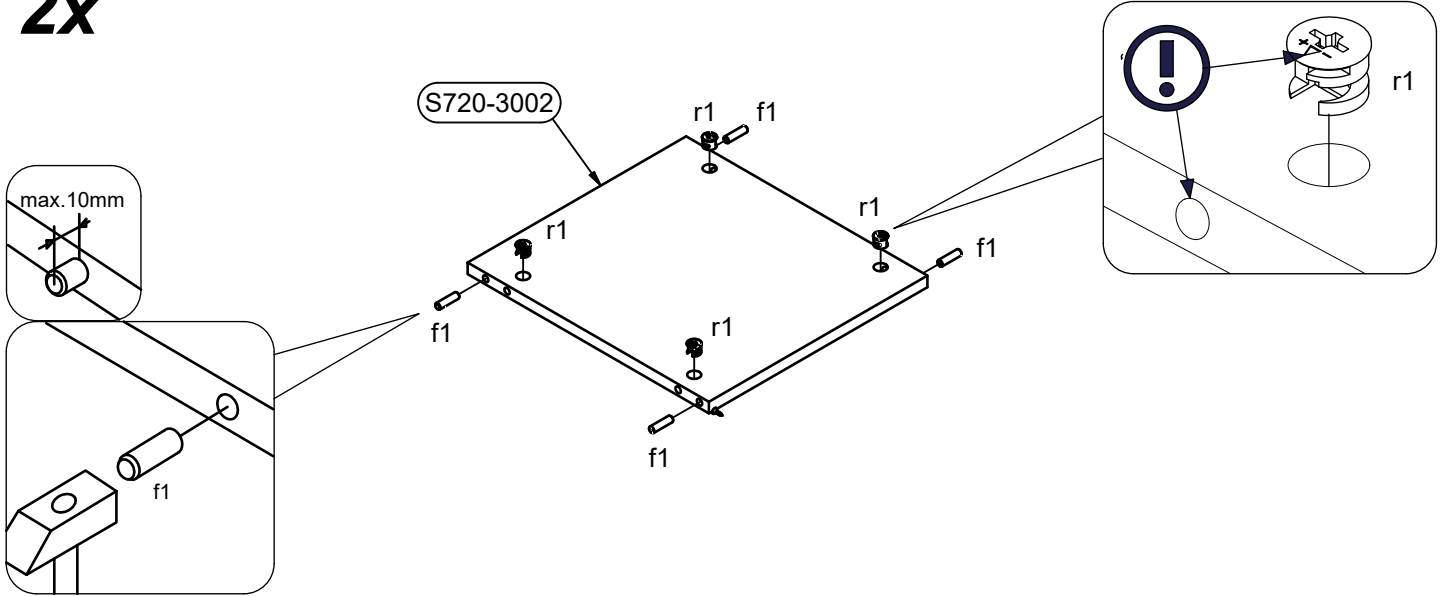


3

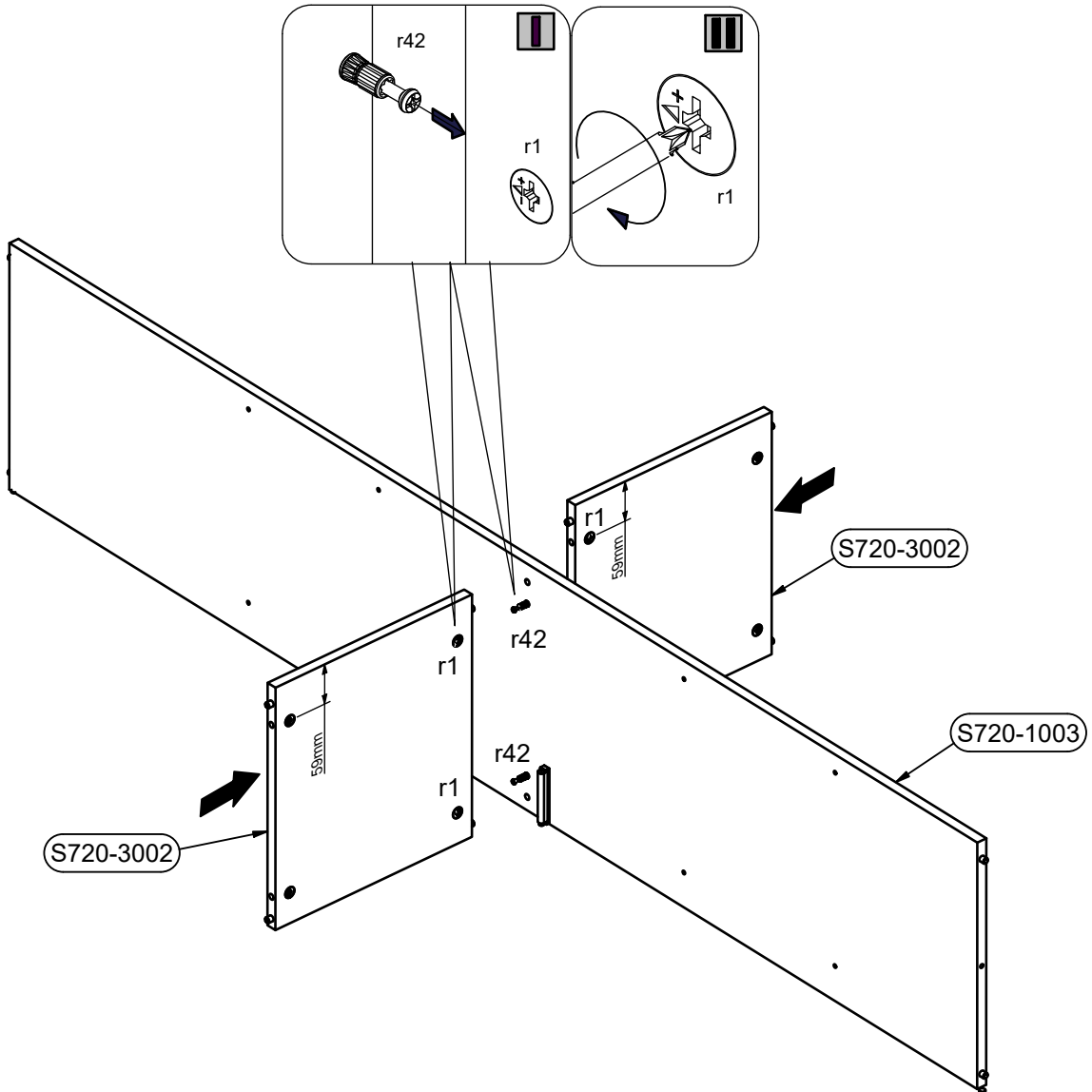


4 
2x

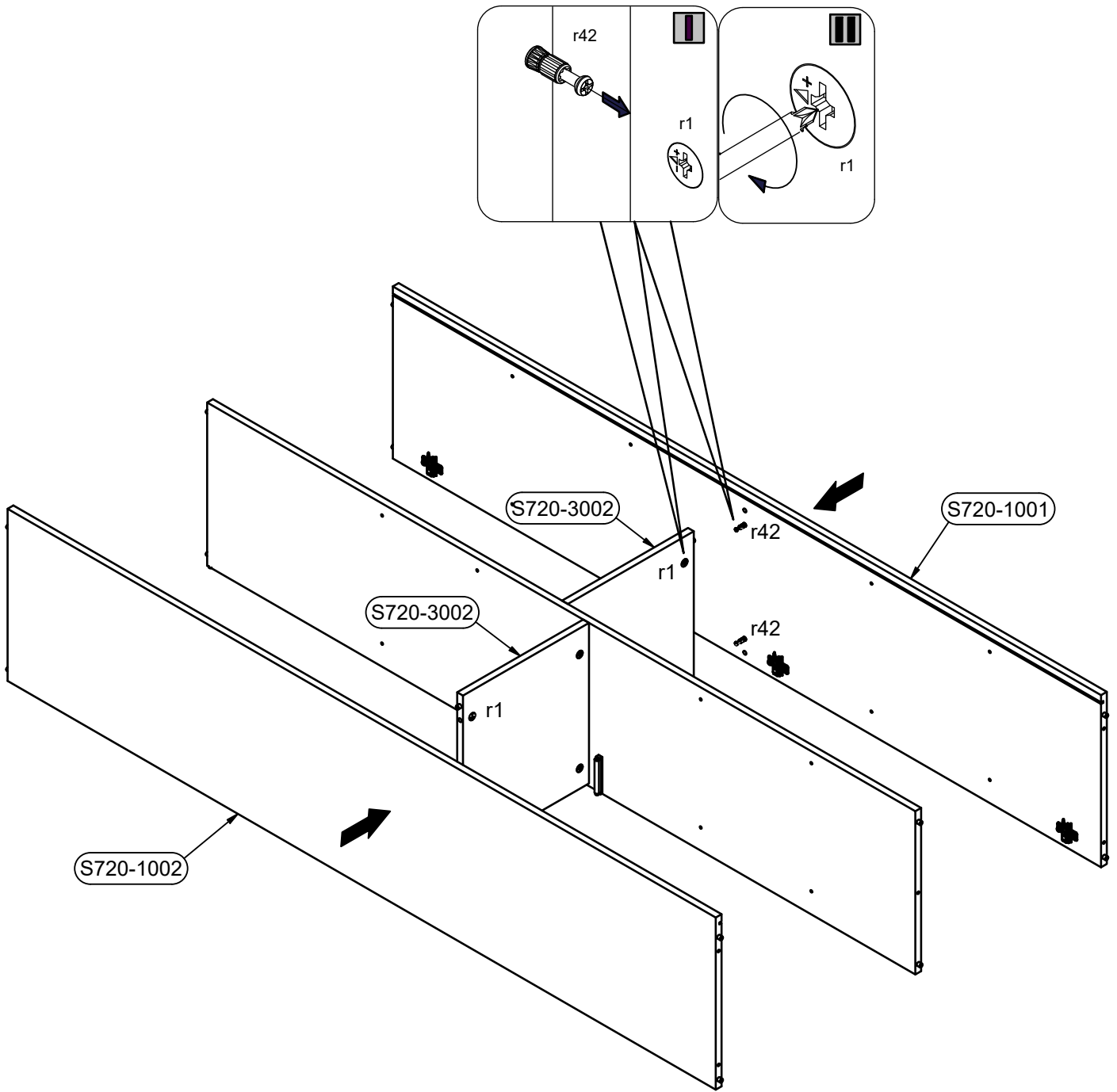
 f1 30mm	8x	 r1  15x12mm	8x
---	----	---	----

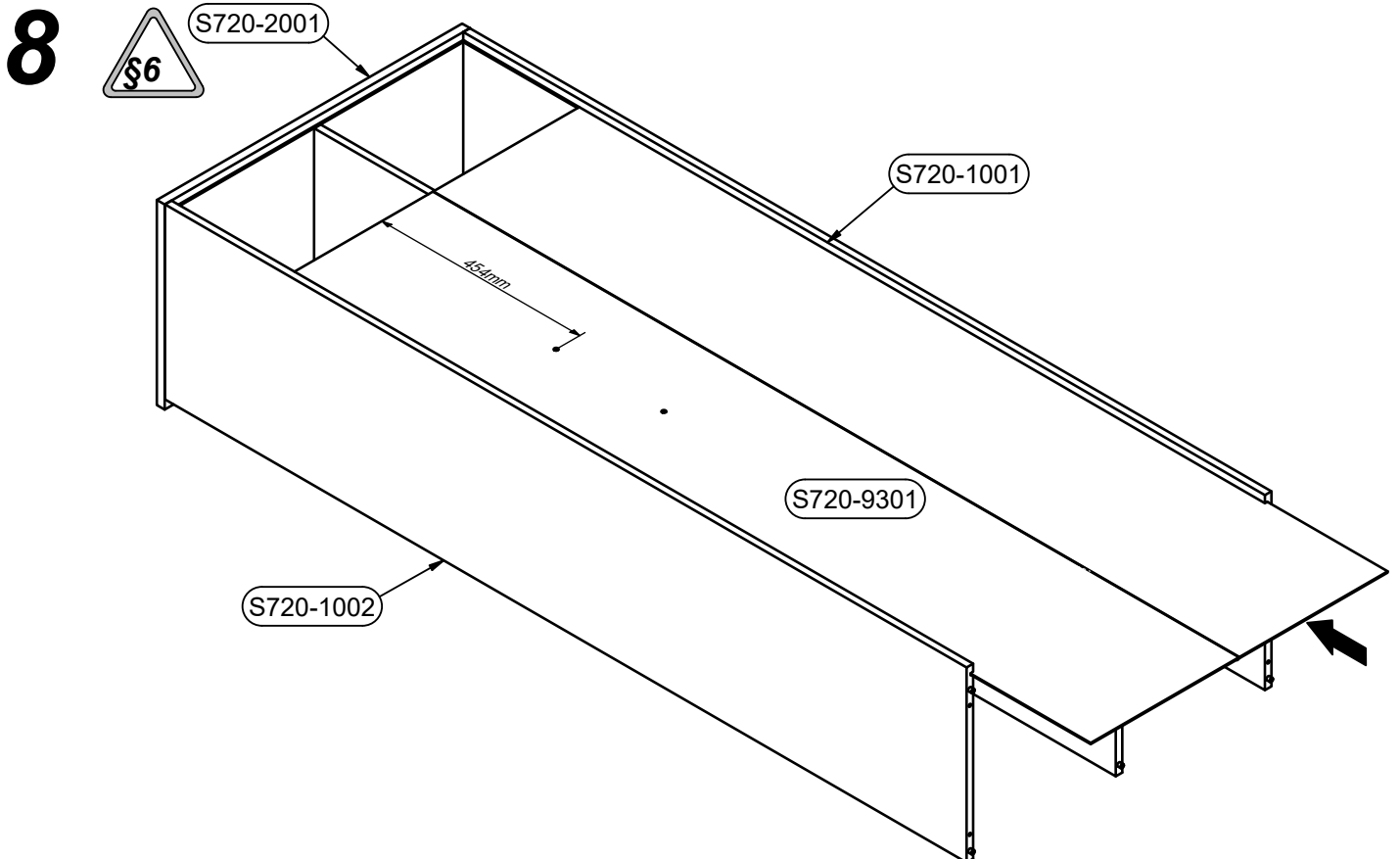
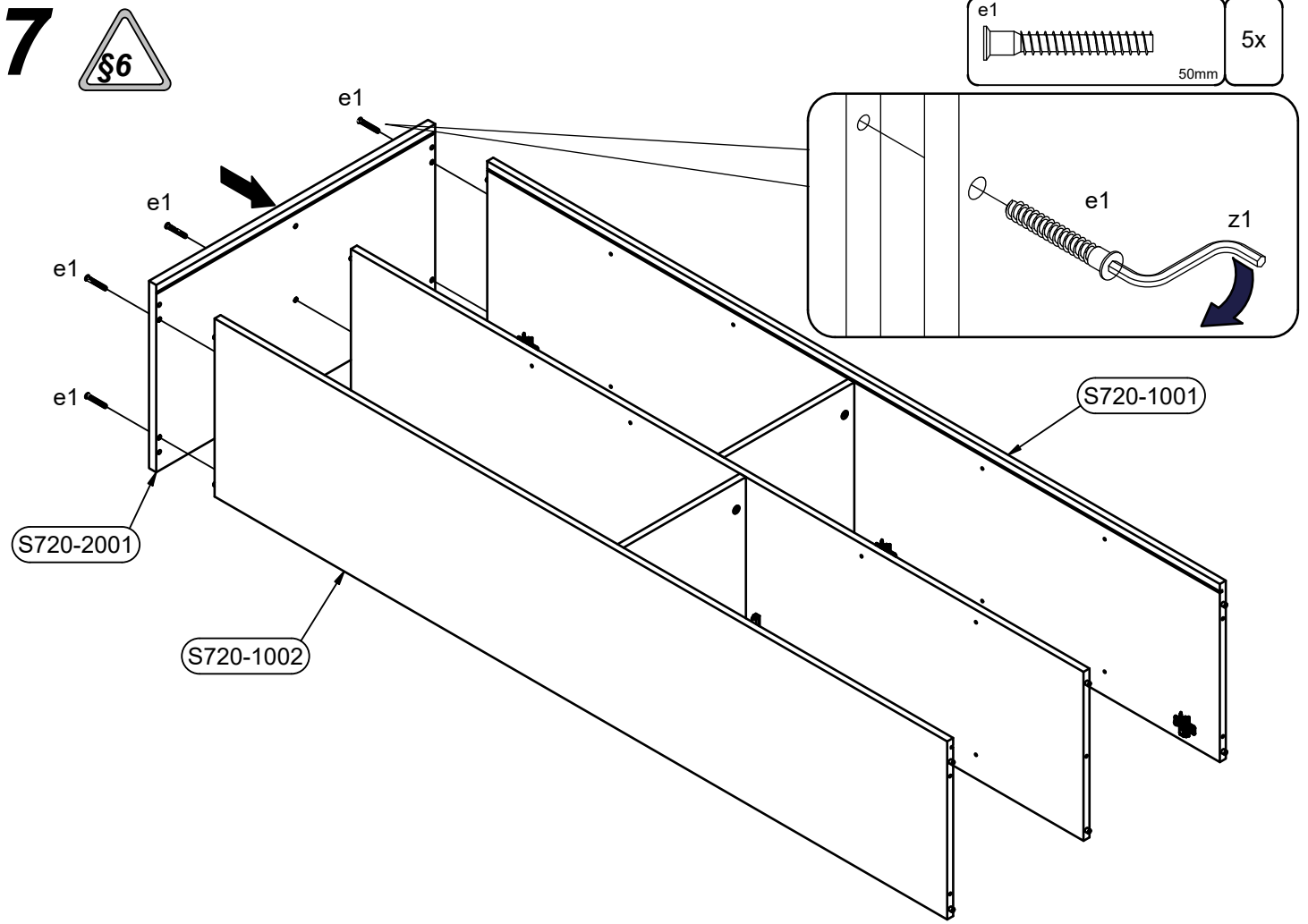


5 

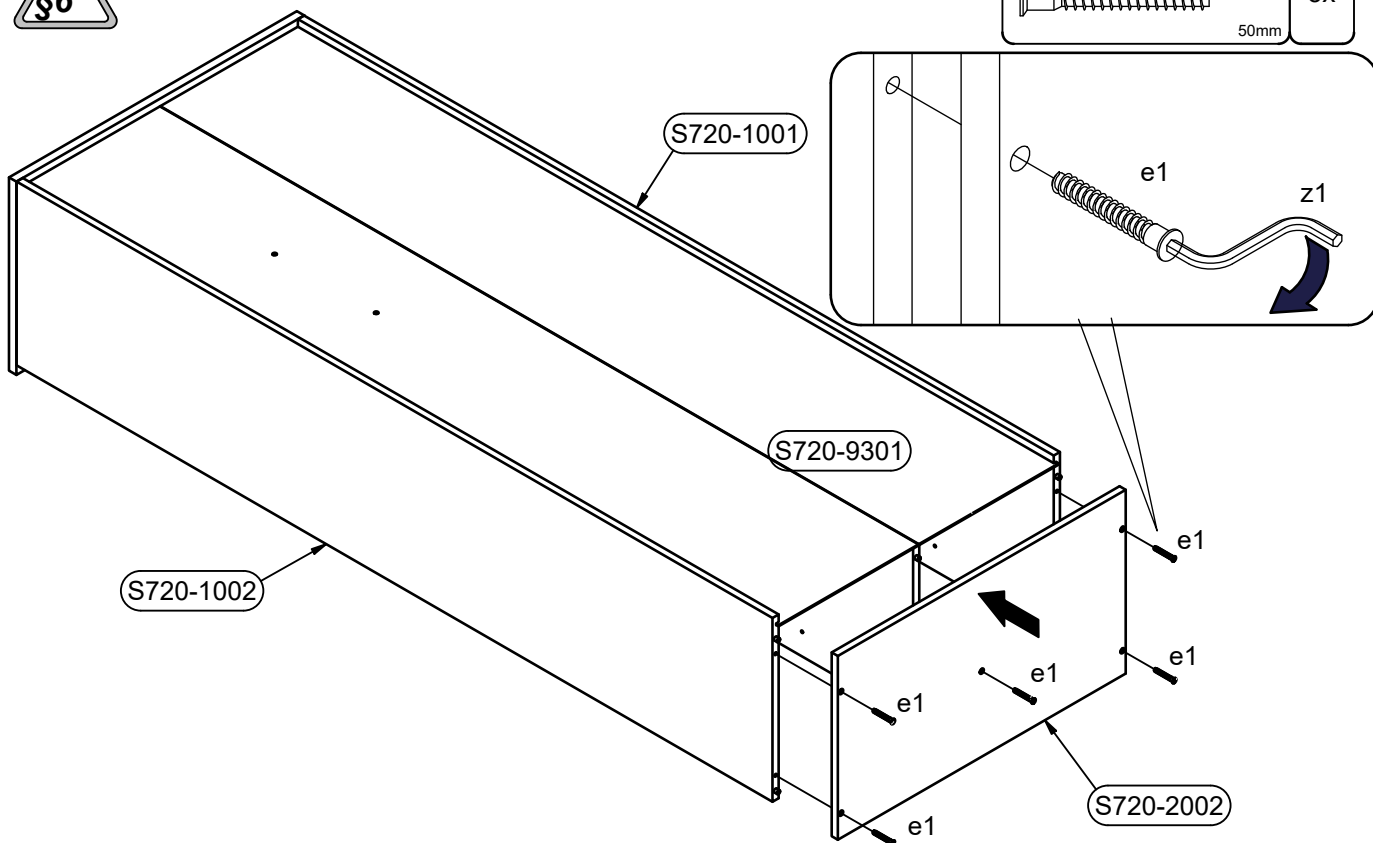
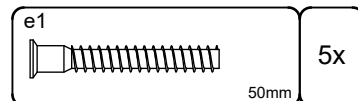


6

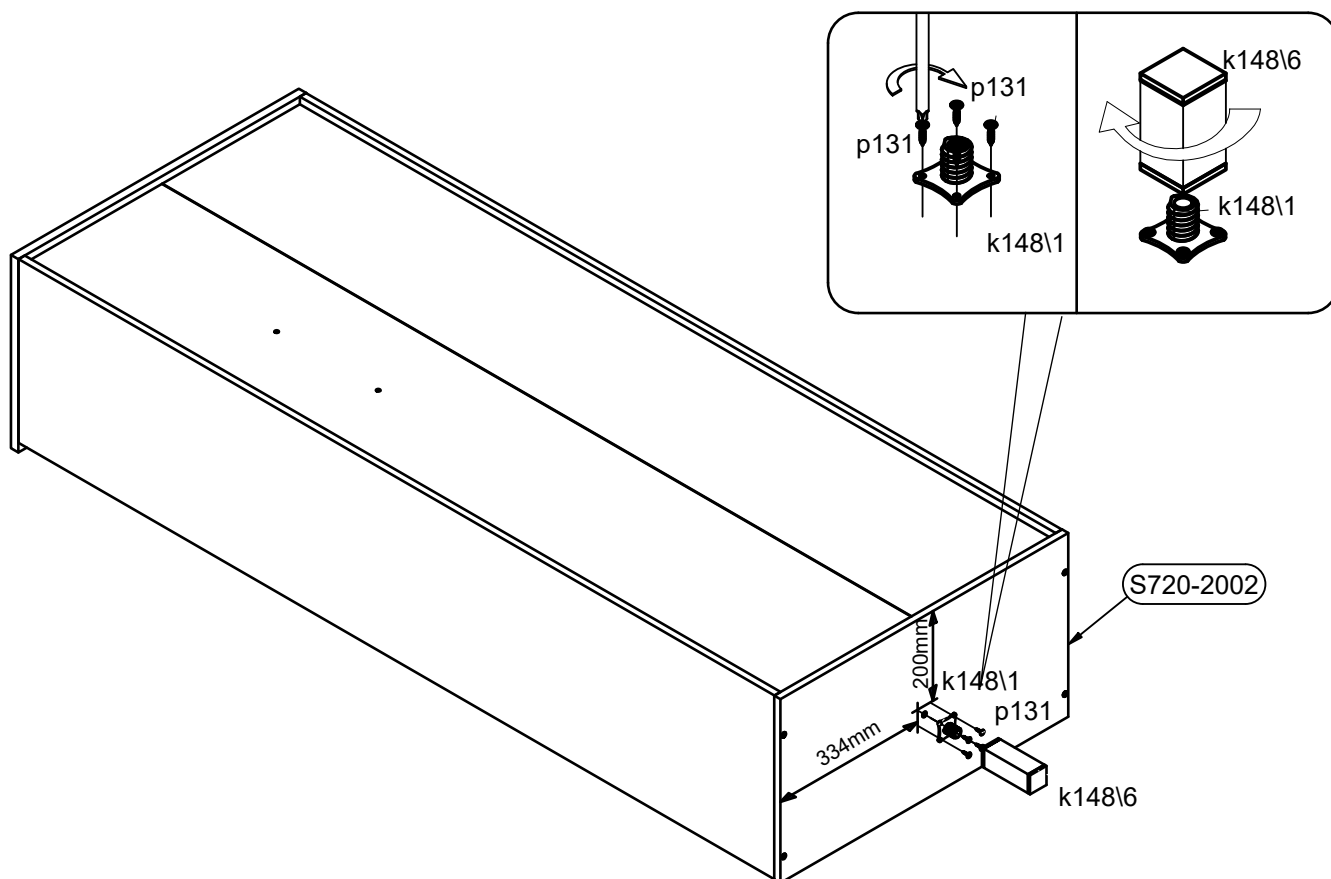
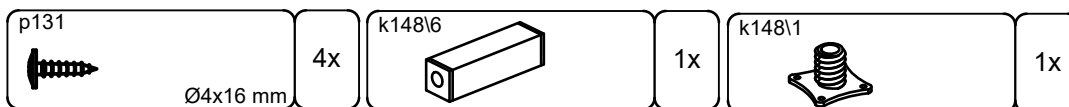






9

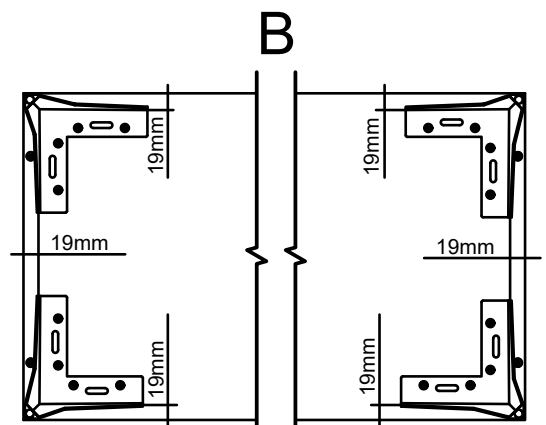
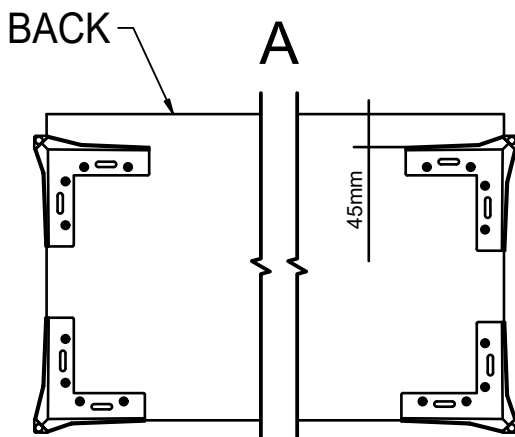
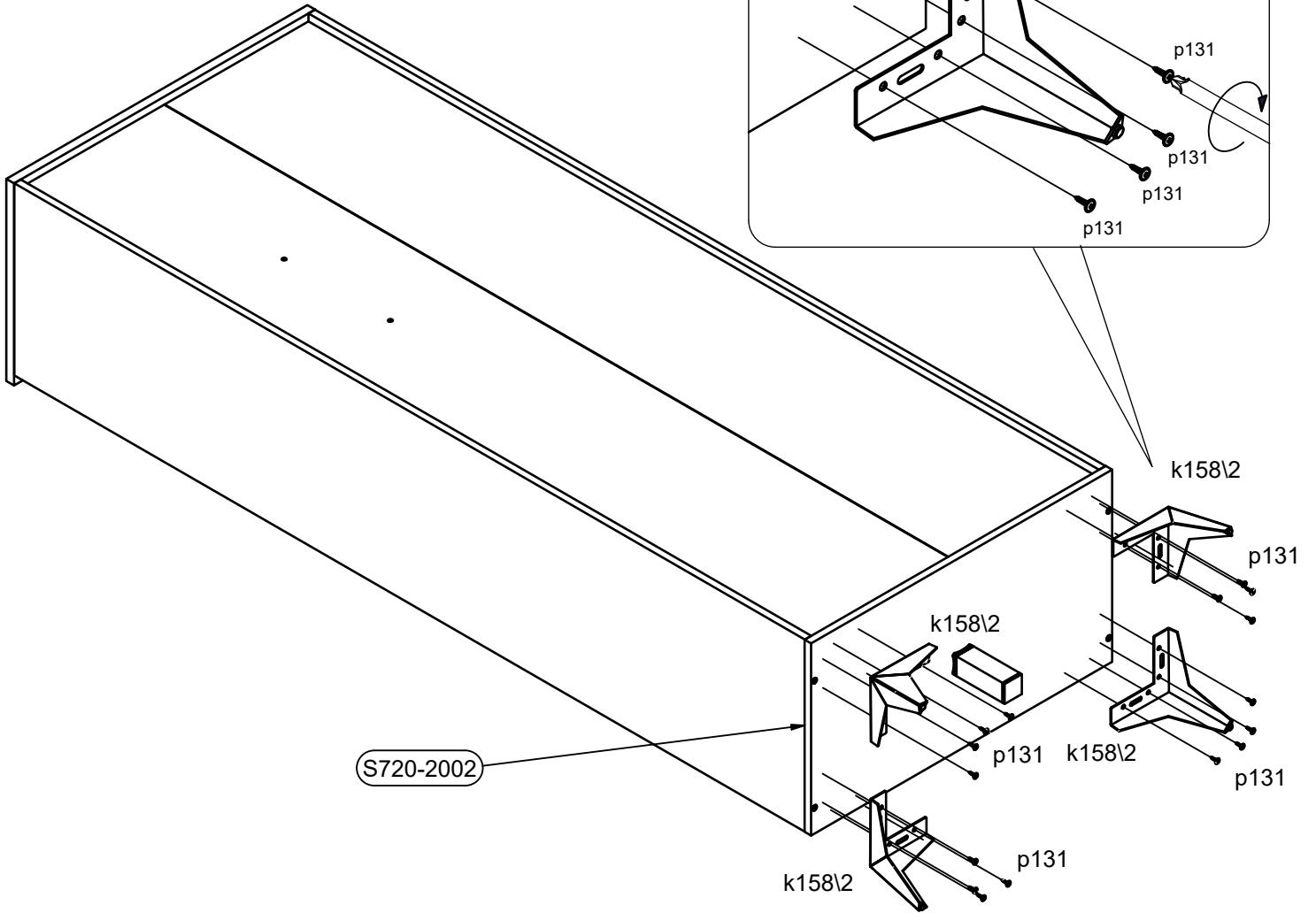


10



11 

k158\2 	4x	p131 	16x Ø4x16 mm
--	----	--	-----------------



12

S720-2001

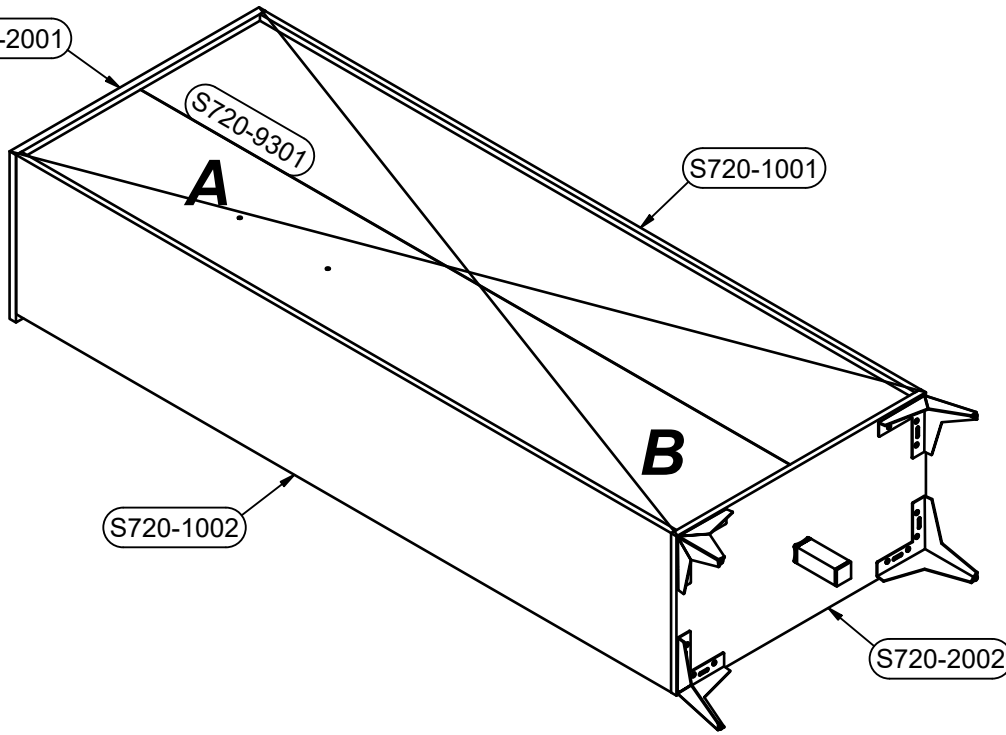
S720-9301

S720-1001

S720-1002

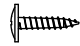

S720-2002

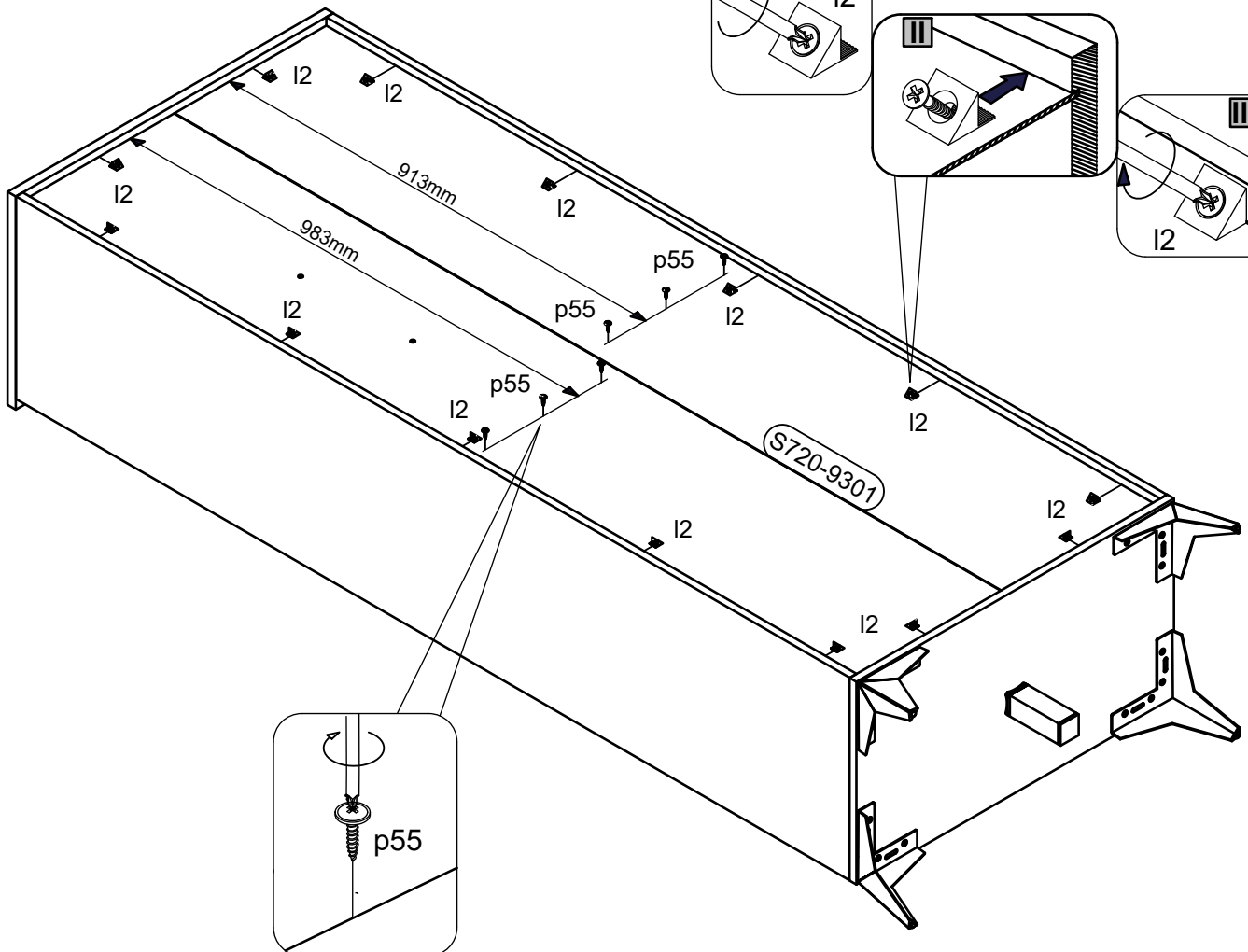
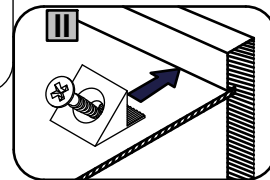
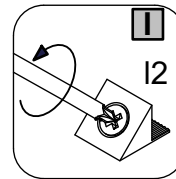
A=B
⚠



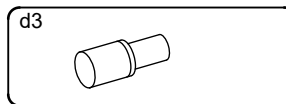
13



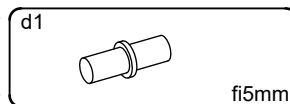
p55 	2.9x16mm	6x	I2 	14x
---	----------	----	--	-----



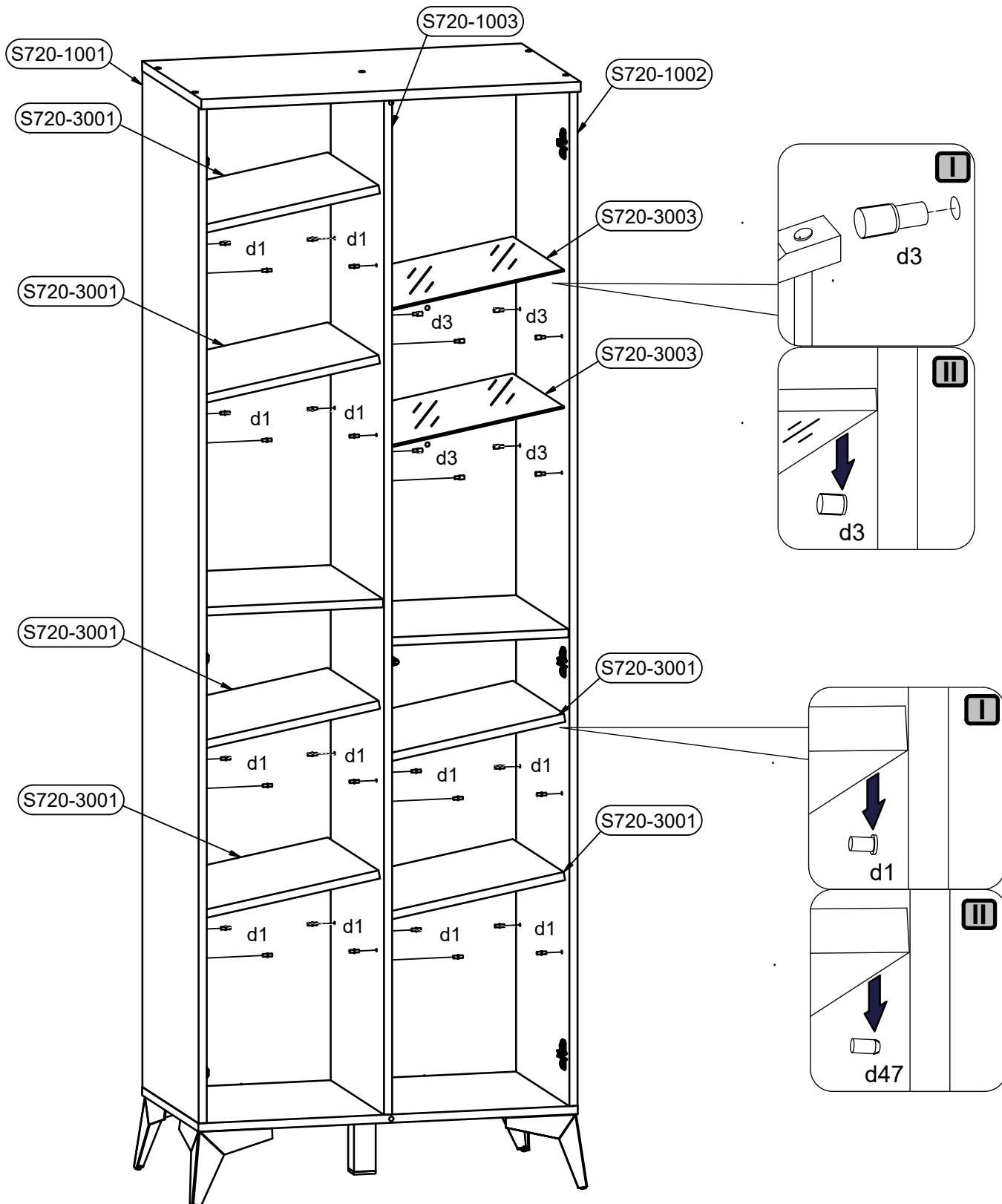
14



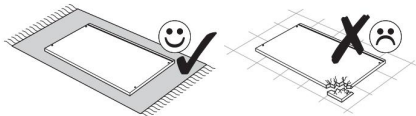
8x





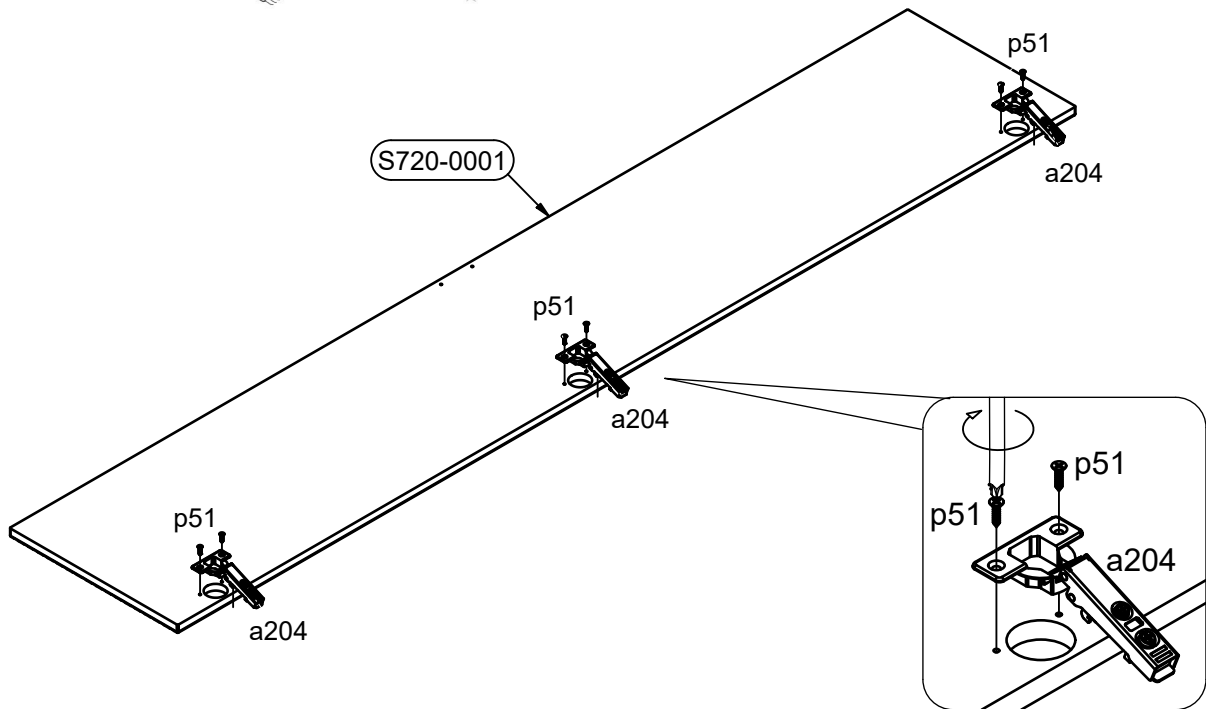
24x
f5mm



15 

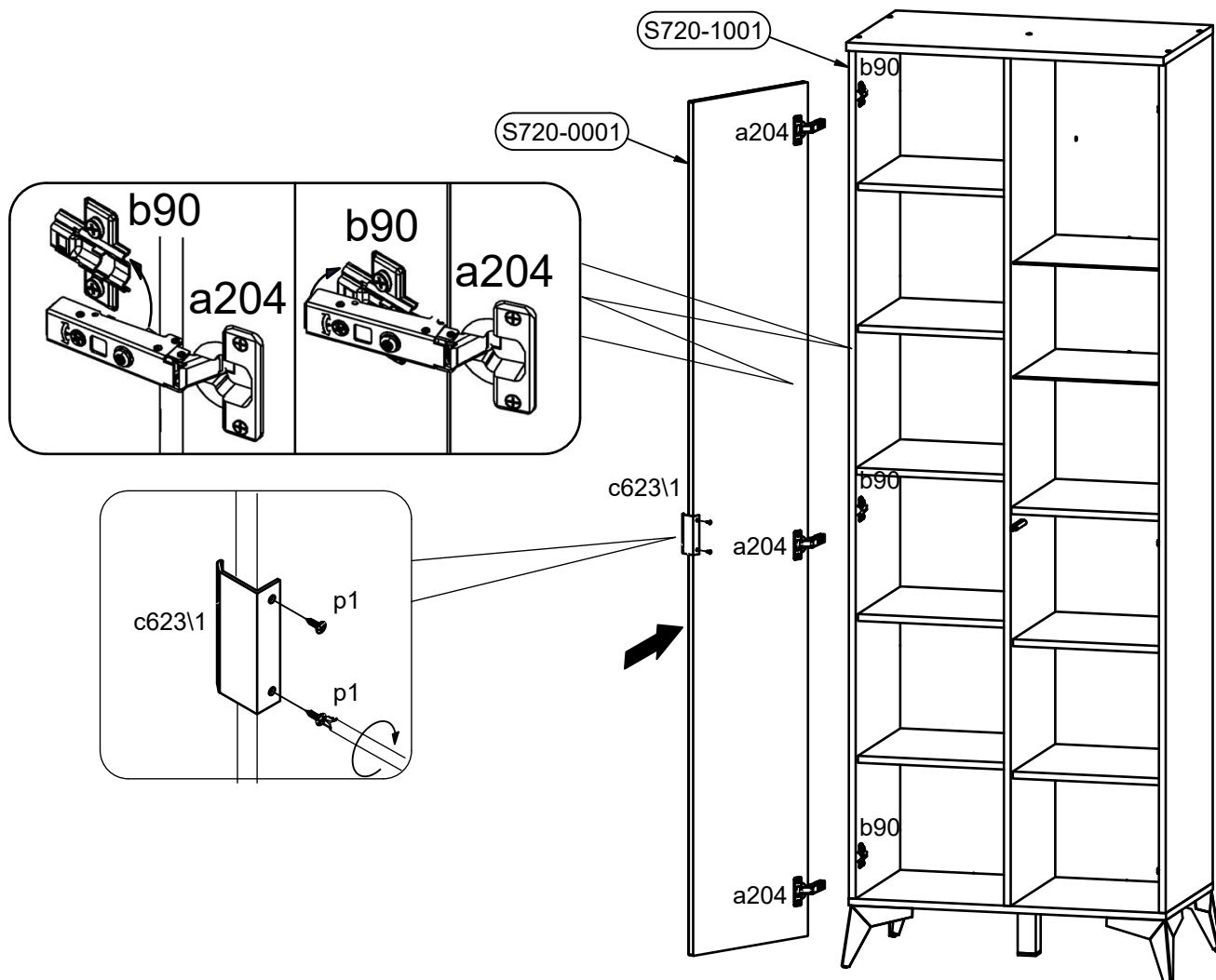


 a204	3x	 p51	6x
		Ø3.5x15 mm	



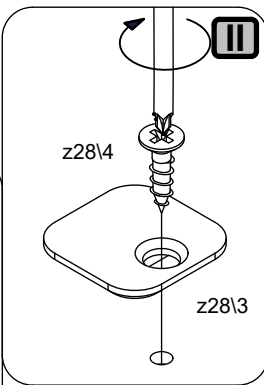
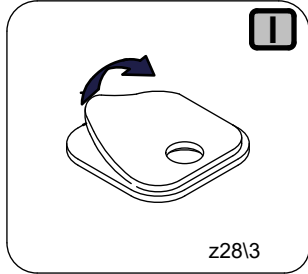
16 

 p1	2x	 c623\1	1x
Ø3.5x13 mm		L84/64mm	

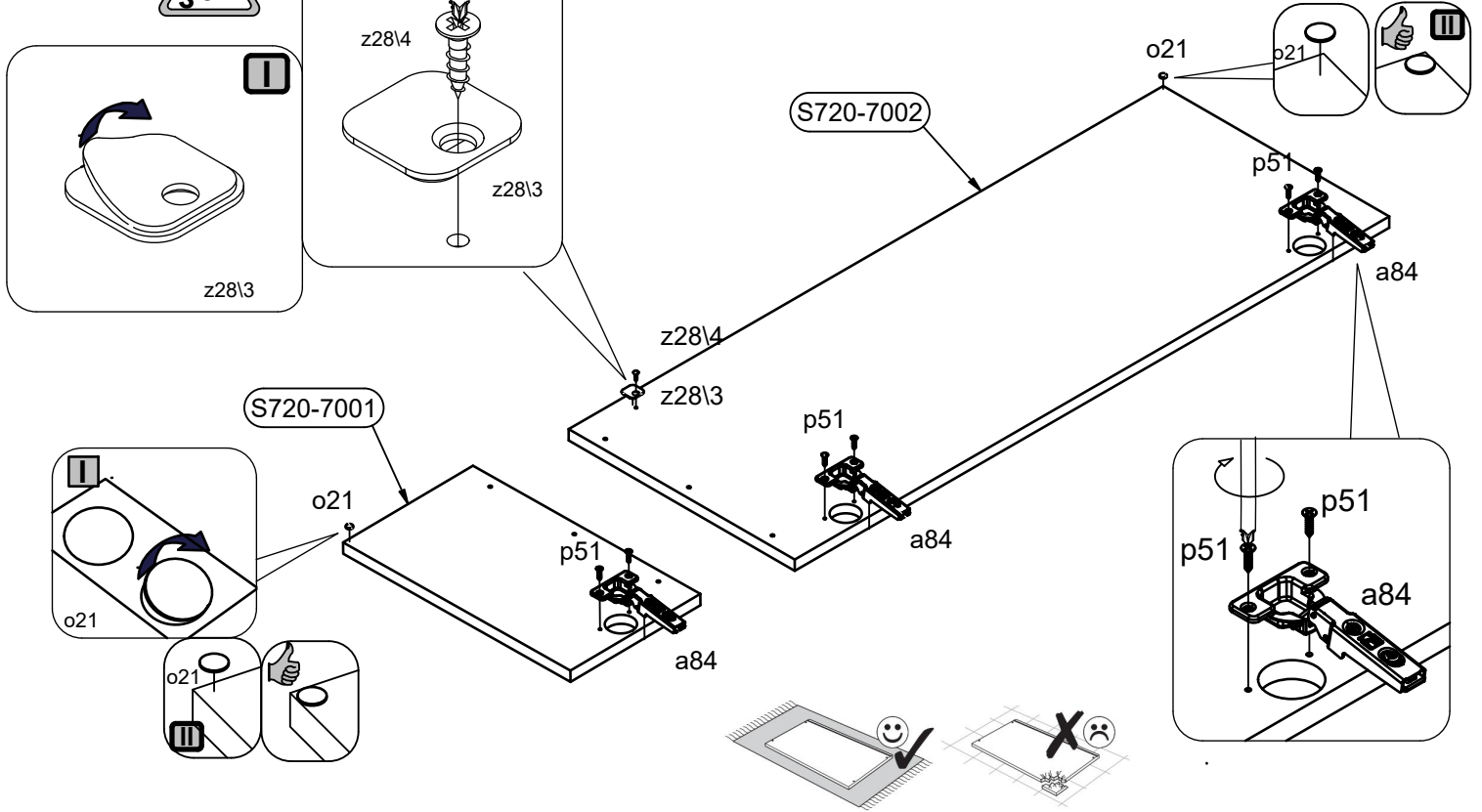


z28\4 3x12mm 	1x	z28\3 	1x	a84 	3x	p51 Ø3.5x15 mm 	6x
---------------------	----	-----------	----	---------	----	-----------------------	----

17



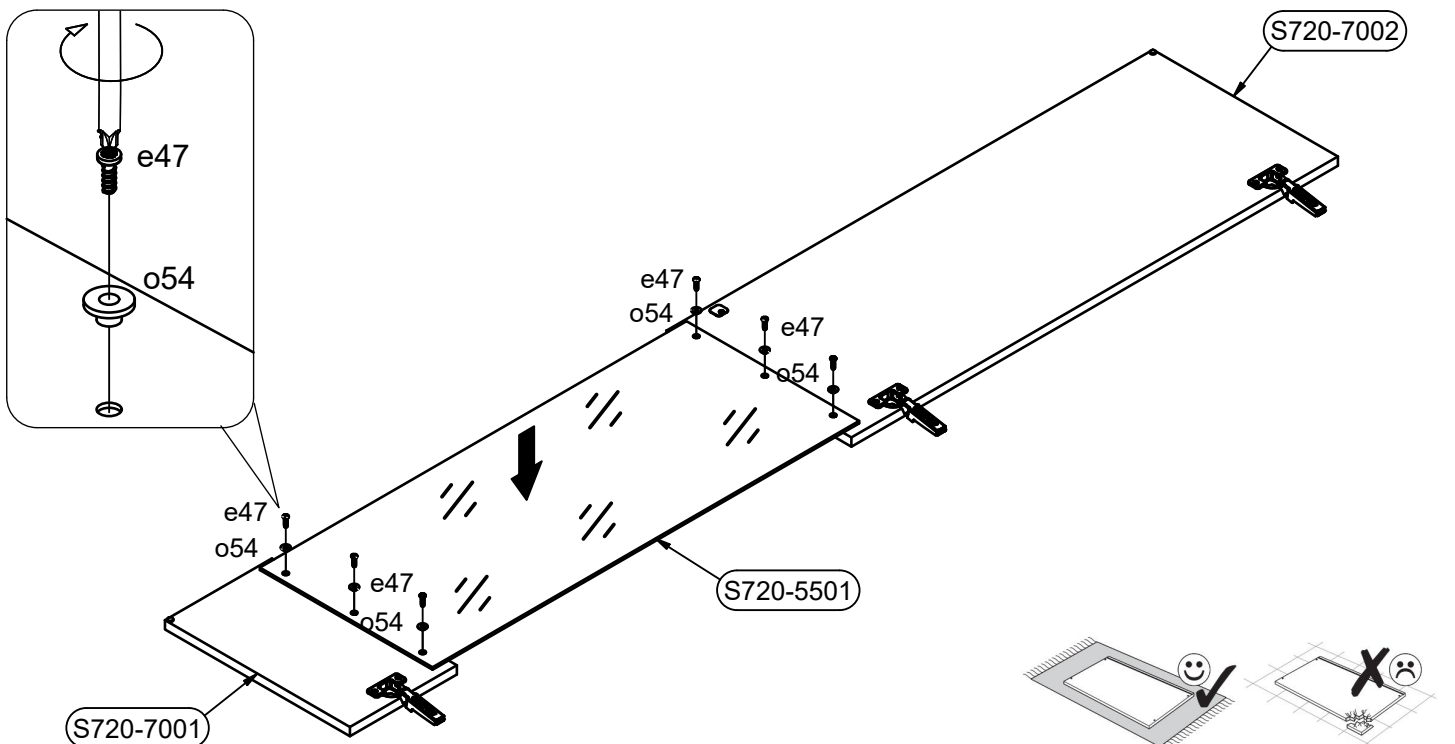
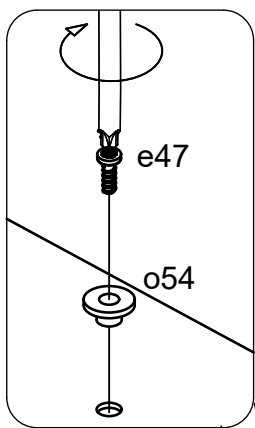
o21 Ø8/1.8mm 	2x
---------------------	----



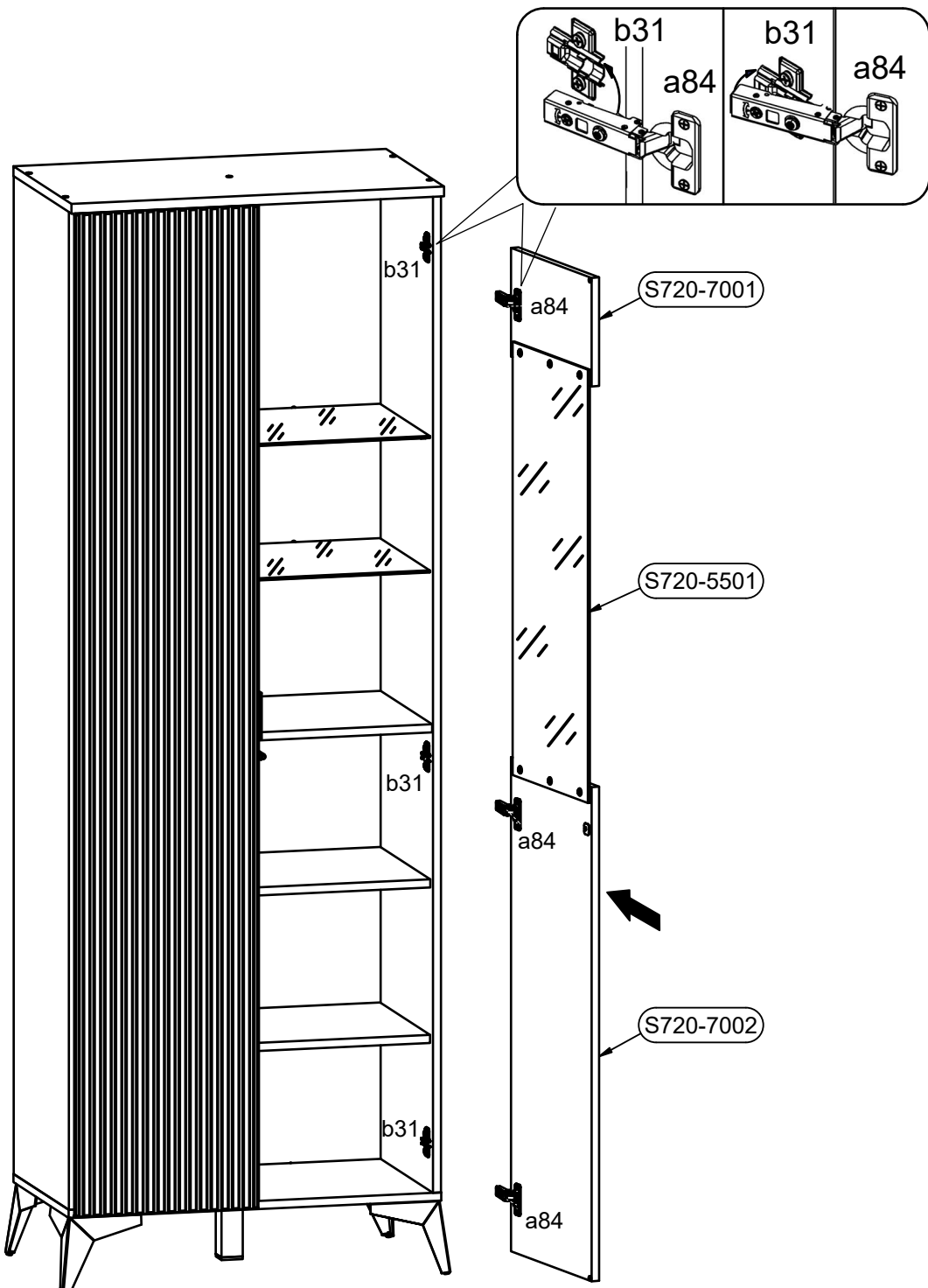
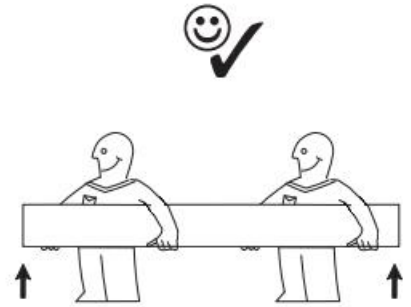
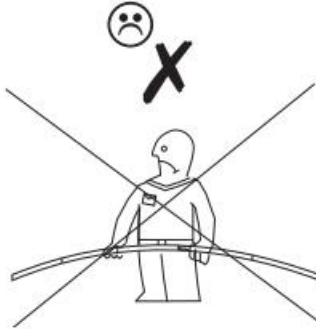
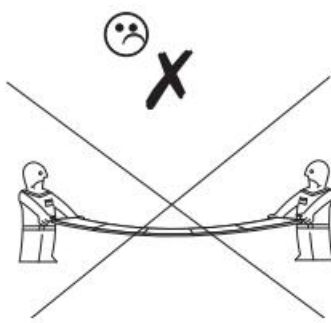
18

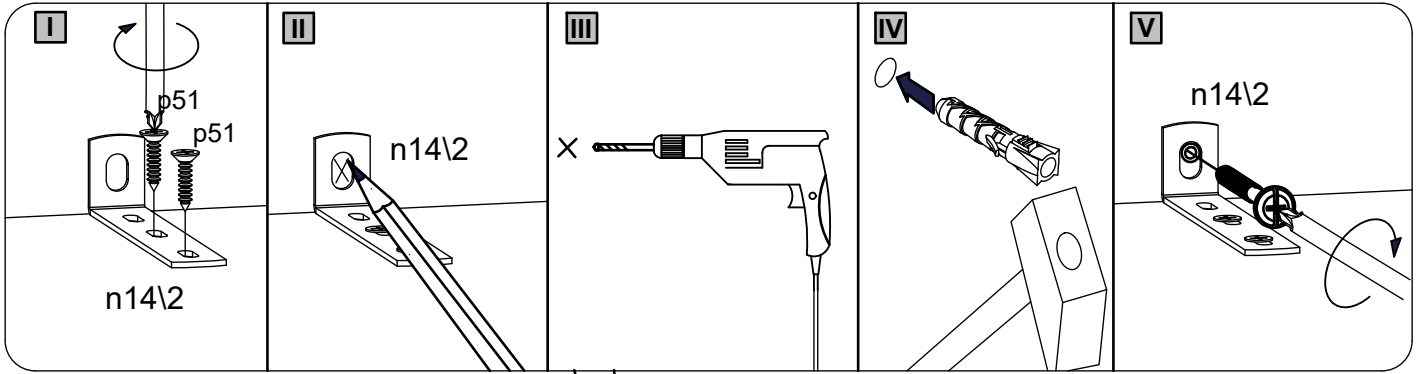




o54 	6x	e47 Ø5x16 mm 	6x
---------	----	---------------------	----

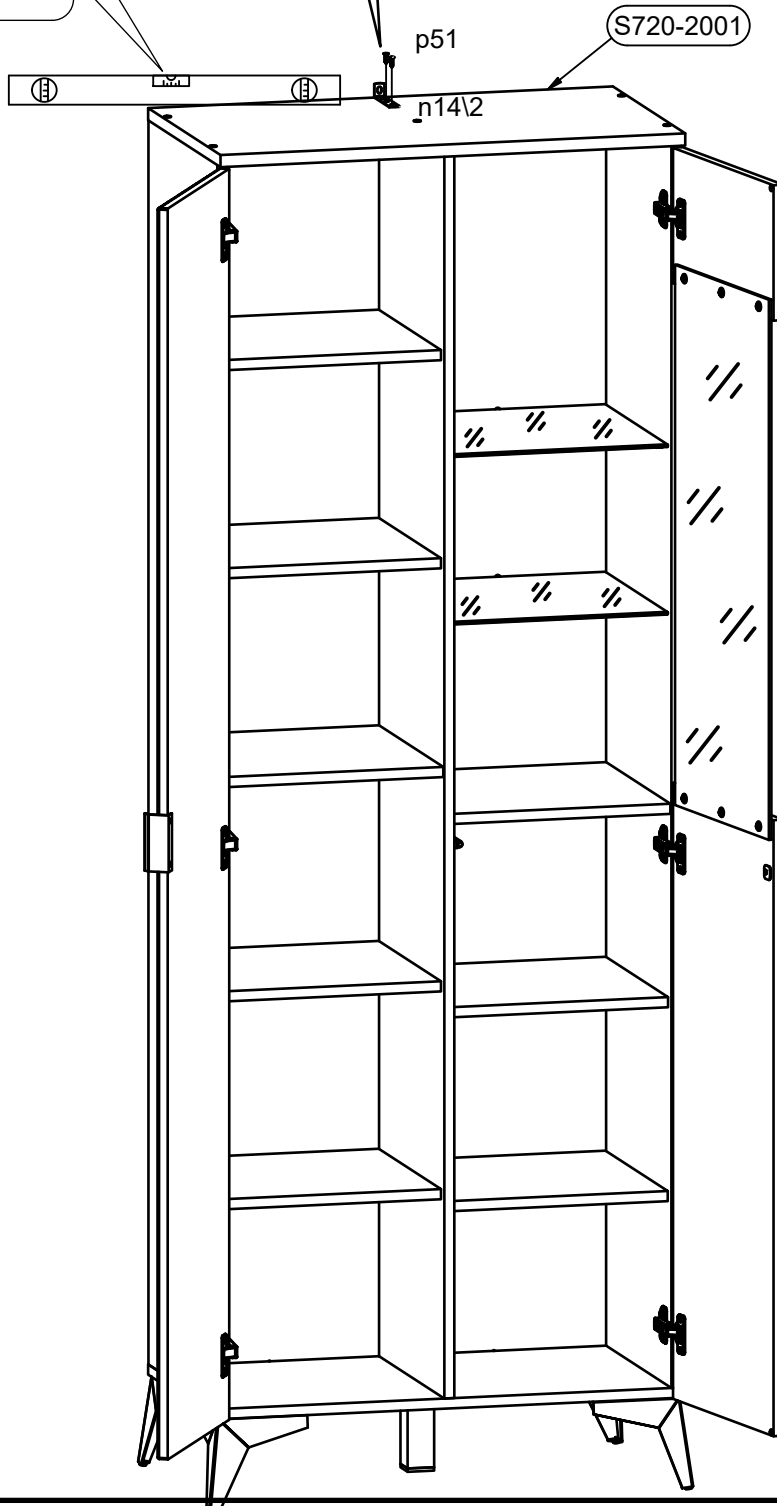
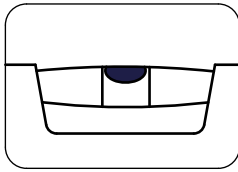


19



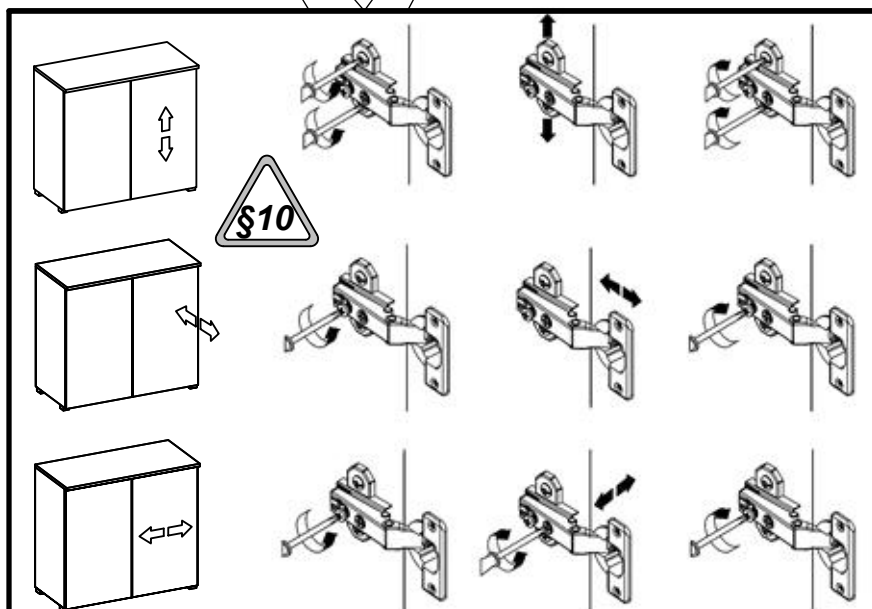
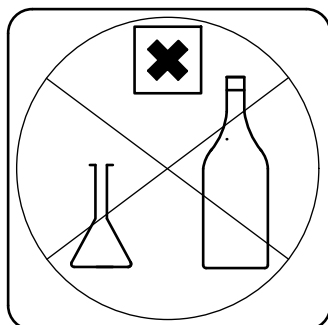
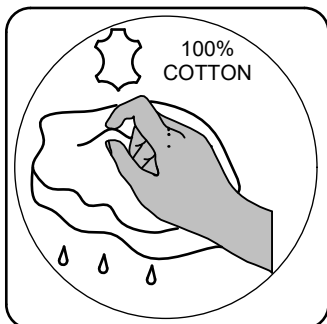
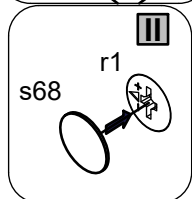
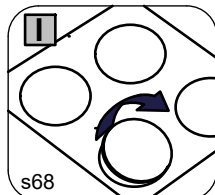
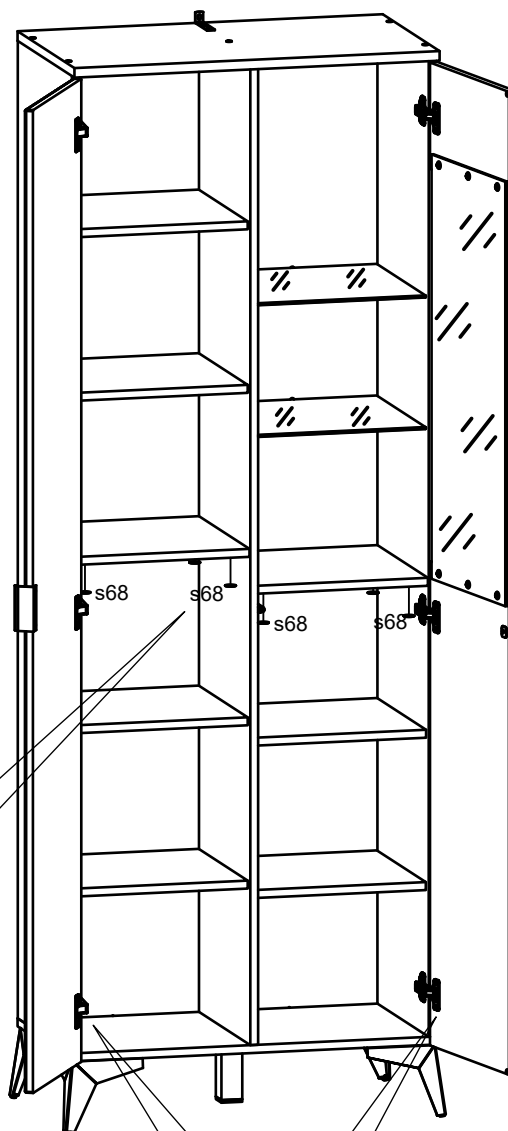
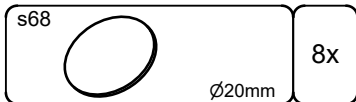


 p51 3.5x15mm	2x	 n142	1x
--	----	---	----







20





22

	 o70\13	1x
	 o43\8	2x

