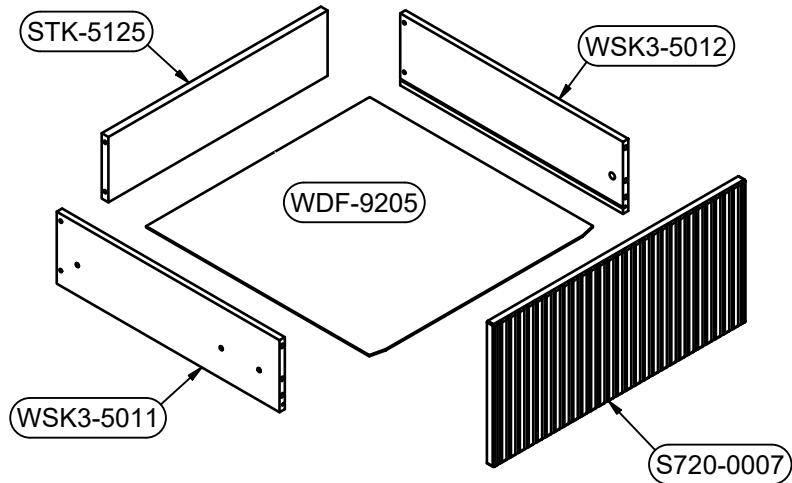
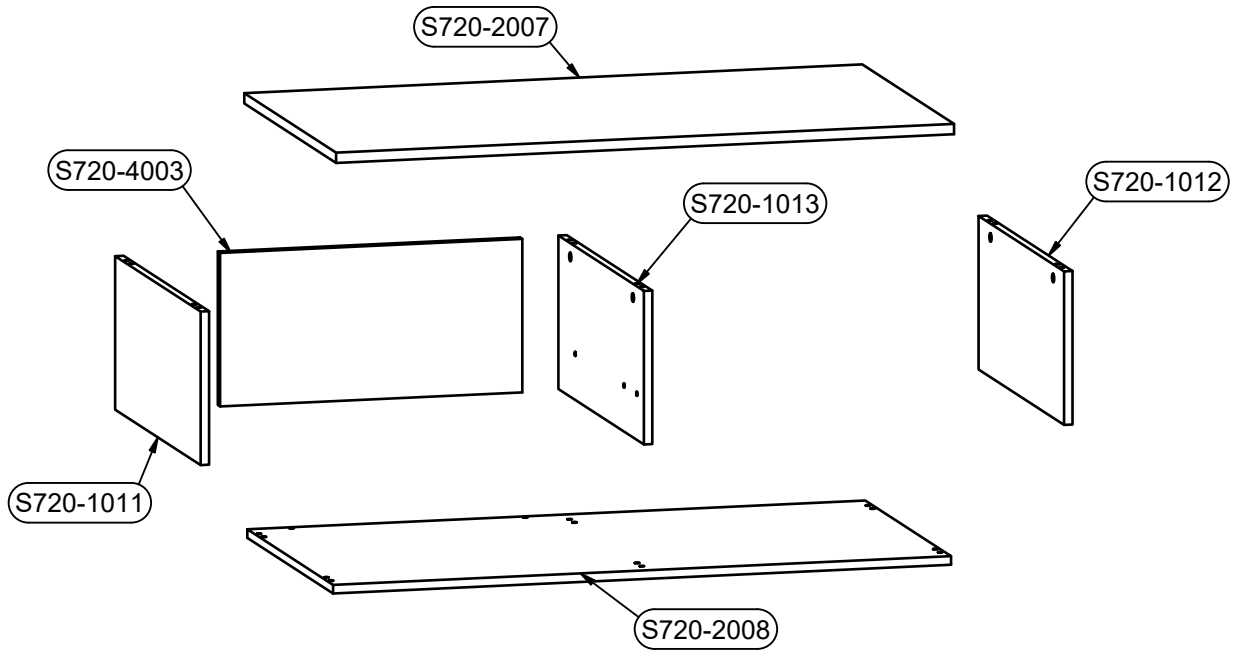
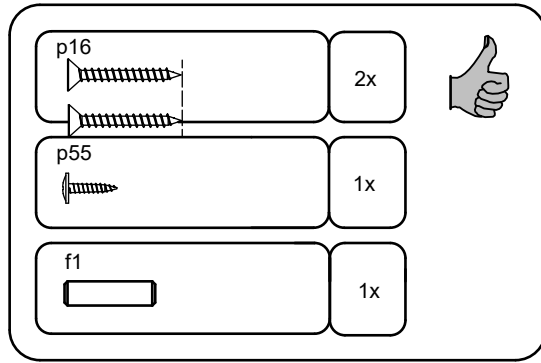
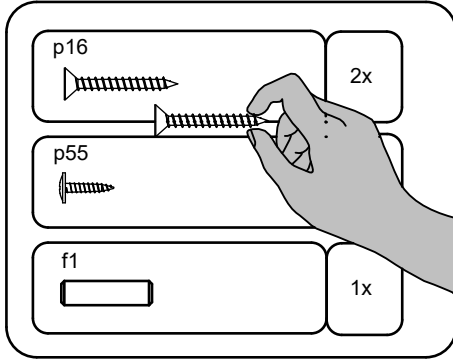


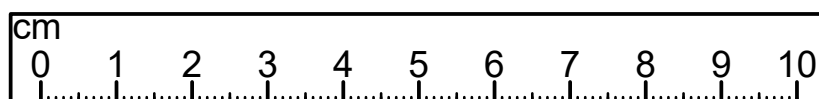
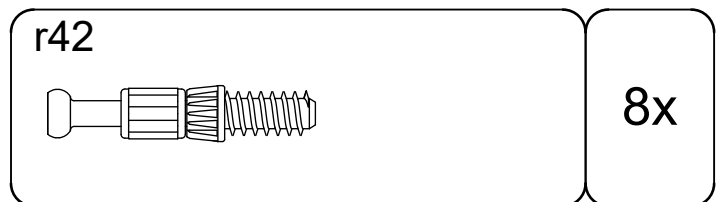
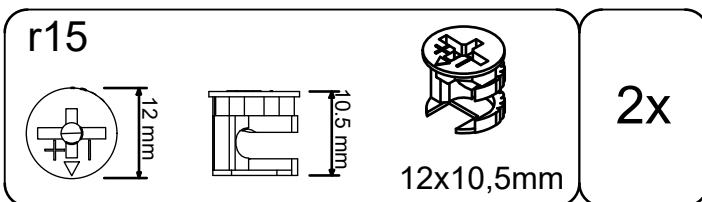
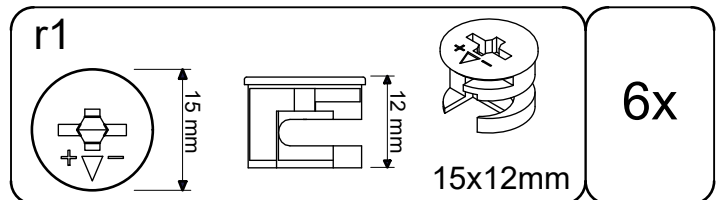
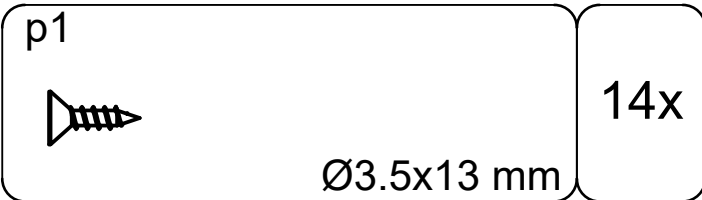
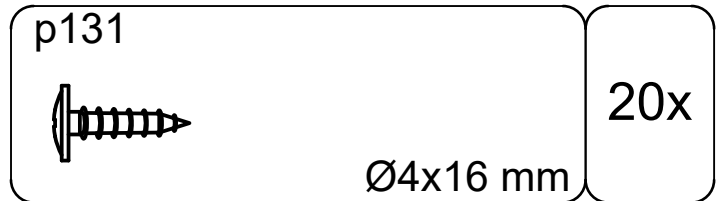
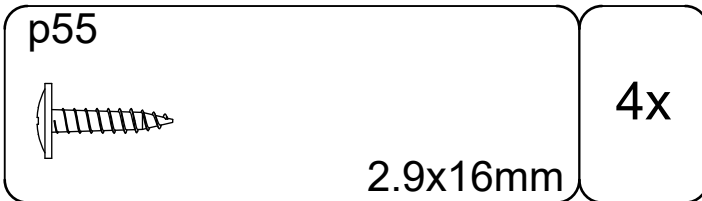
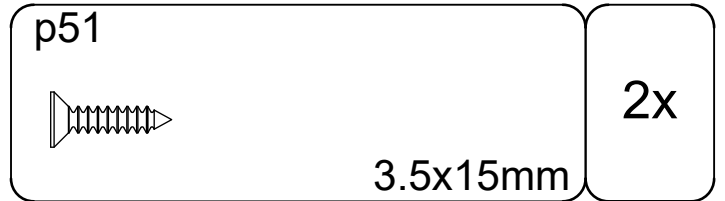
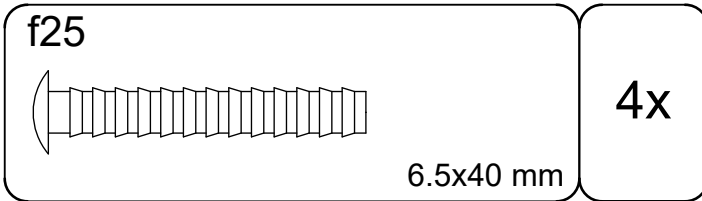
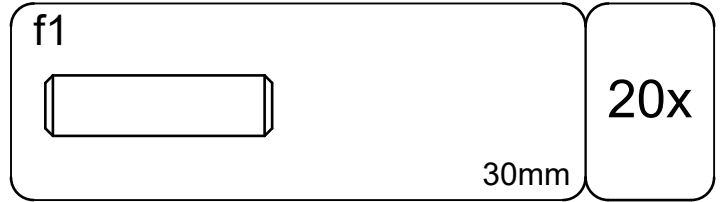
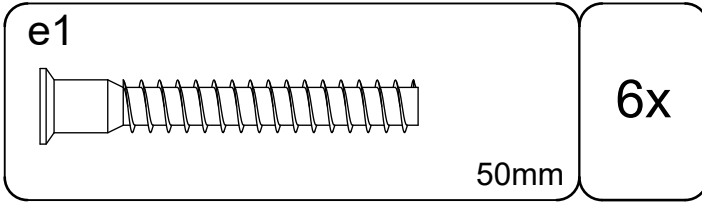
B1	B2	C1	C2	C3	C4	D
S720-0007	-	566	277	16	1	1/2
S720-1011	-	268	568	15	1	1/2
S720-1012	-	268	568	15	1	1/2
S720-1013	-	268	568	15	1	1/2
S720-2007	-	1100	610	18	1	1/2
S720-2008	-	1100	570	15	1	1/2
S720-4003	-	268	538	15	1	1/2
STK-5125	-	492	127	15	1	1/2
WDF-9205	-	502	508	2,5	1	1/2
WSK3-5011	-.4	500	140	12	1	1/2
WSK3-5012	-.4	500	140	12	1	1/2



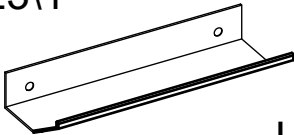
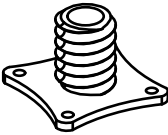
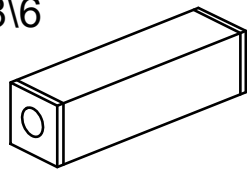
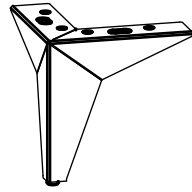
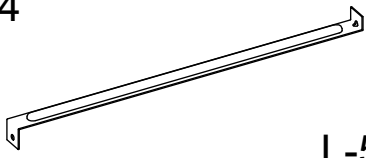
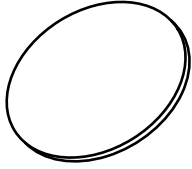
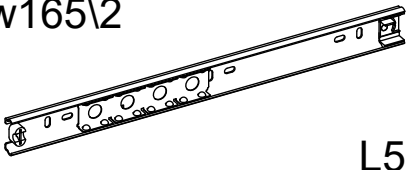
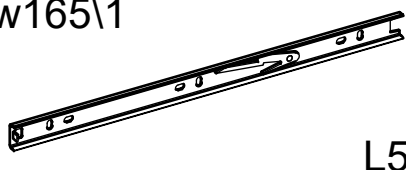
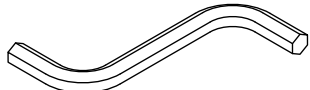
1:1

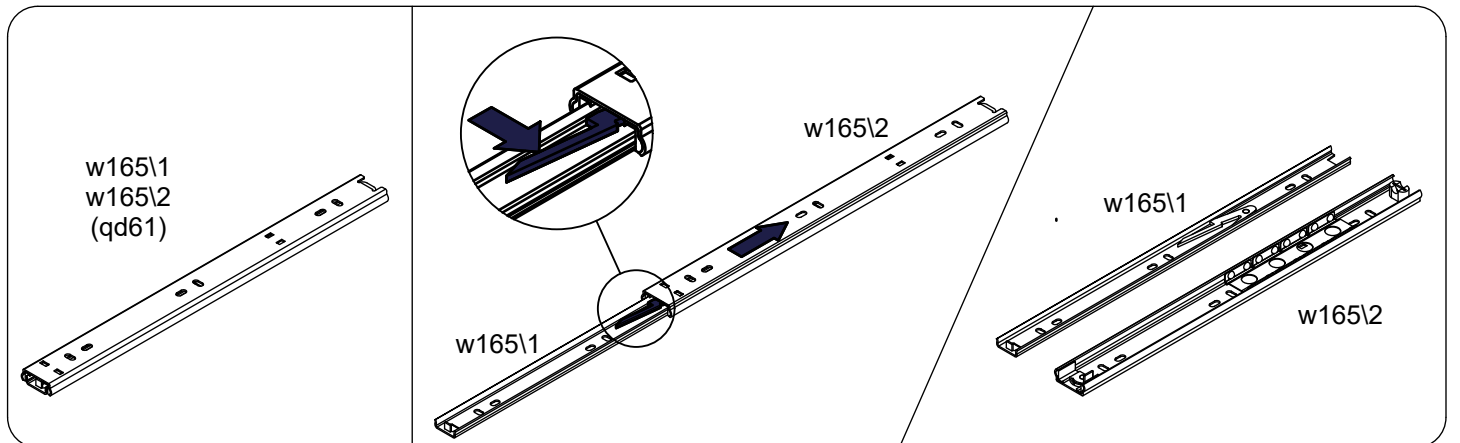


D
2/2

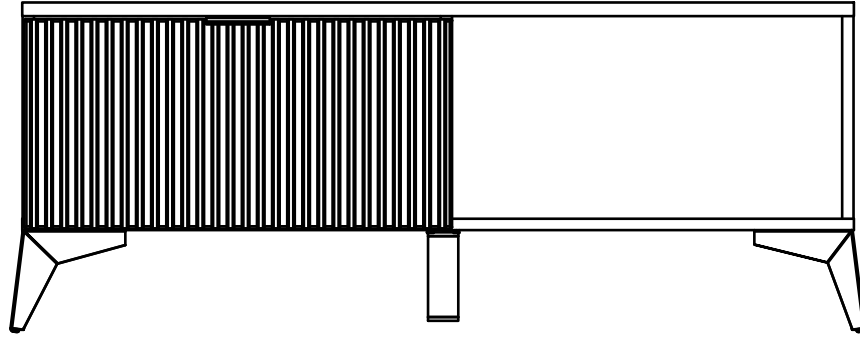


~~1:1~~

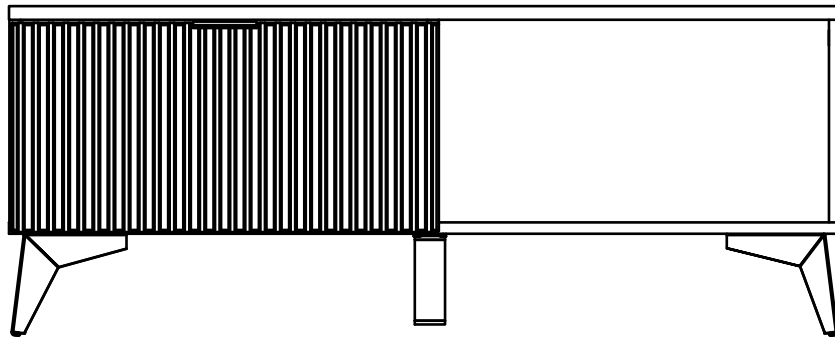
<p>c623\1</p>  <p>L84/64mm</p>	<p>1x</p>	<p>k148\1</p> 	<p>1x</p>
<p>k148\6</p> 	<p>1x</p>	<p>k158\2</p> 	<p>4x</p>
<p>t34</p>  <p>L-500mm</p>	<p>1x</p>	<p>s68</p>  <p>Ø20mm</p>	<p>2x</p>
<p>w165\2</p>  <p>L500mm</p>	<p>2x</p>	<p>w165\1</p>  <p>L500mm</p>	<p>2x</p>
<p>z1</p>  <p>4mm</p>	<p>1x</p>		

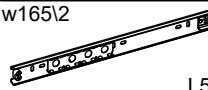

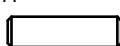



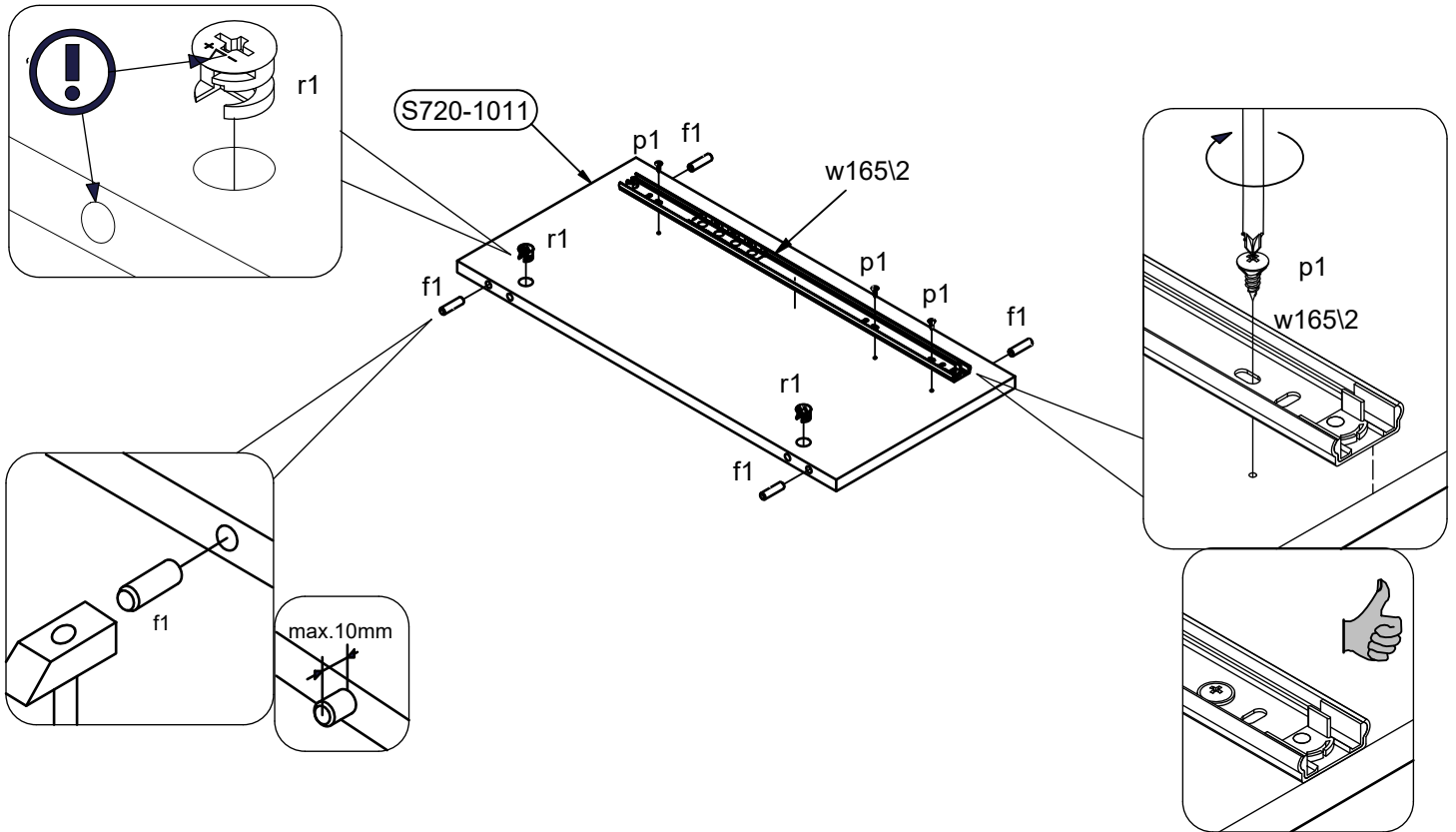
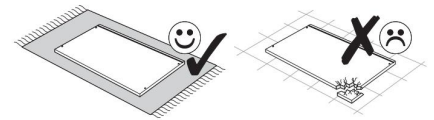
A

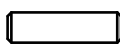



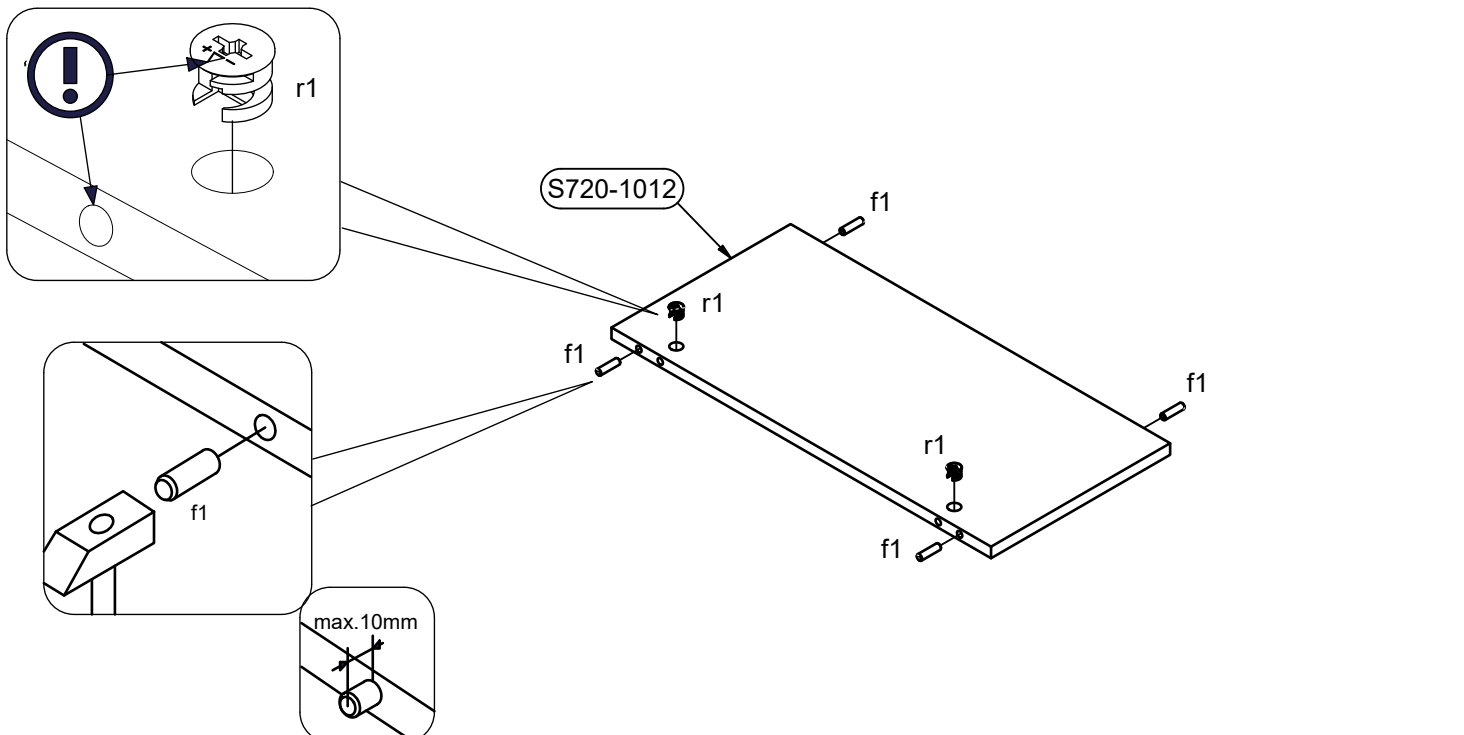
B

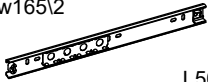

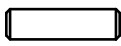



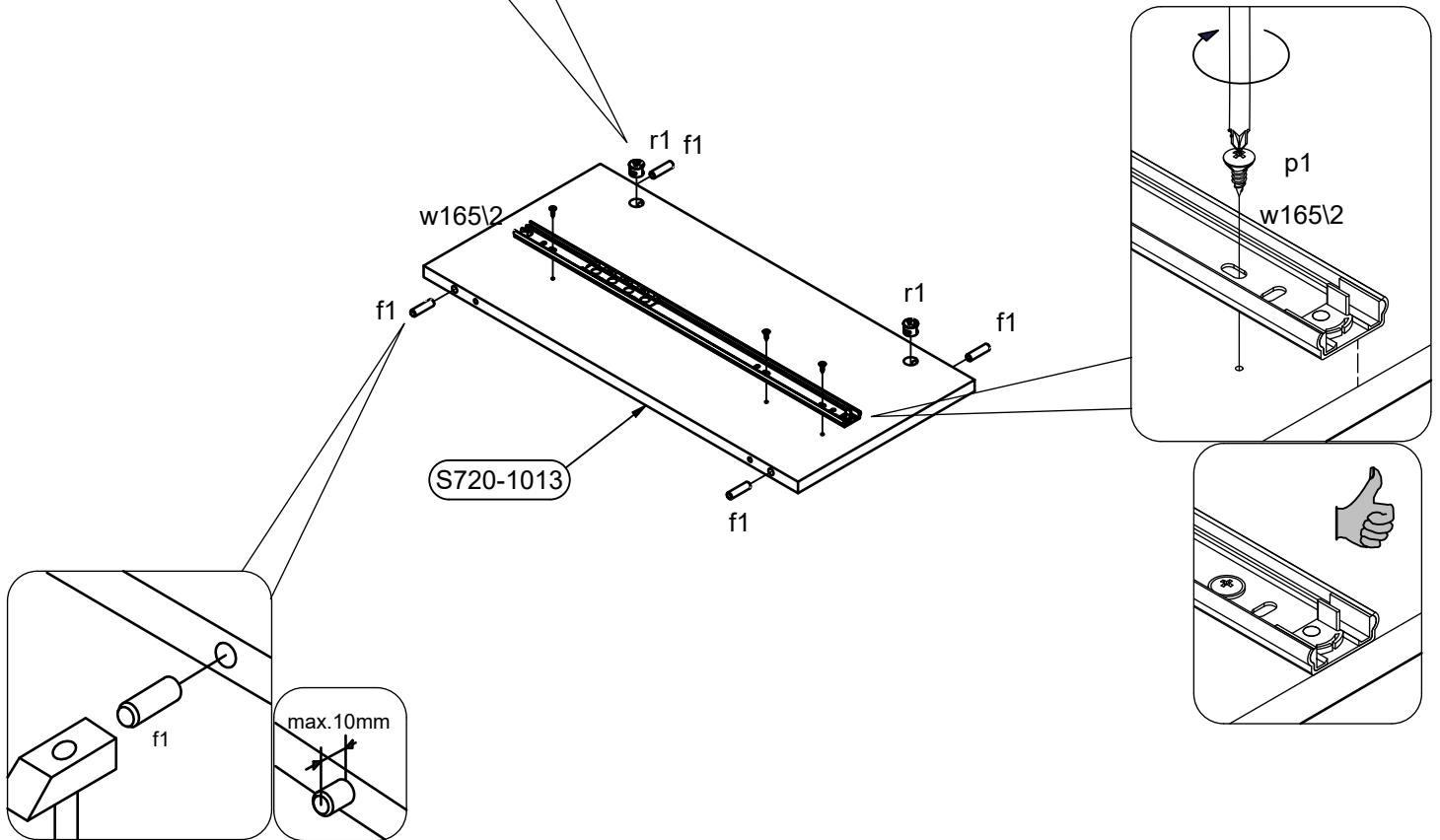
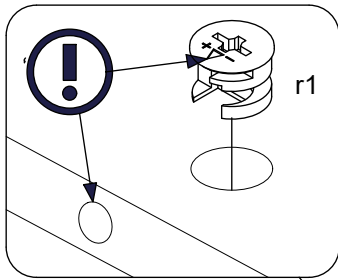
w165l2  L500mm	1x	p1  Ø3.5x13 mm	3x	f1  30mm	4x	r1  15x12mm	2x
--	----	---	----	---	----	--	----

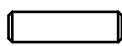
1 **2** 

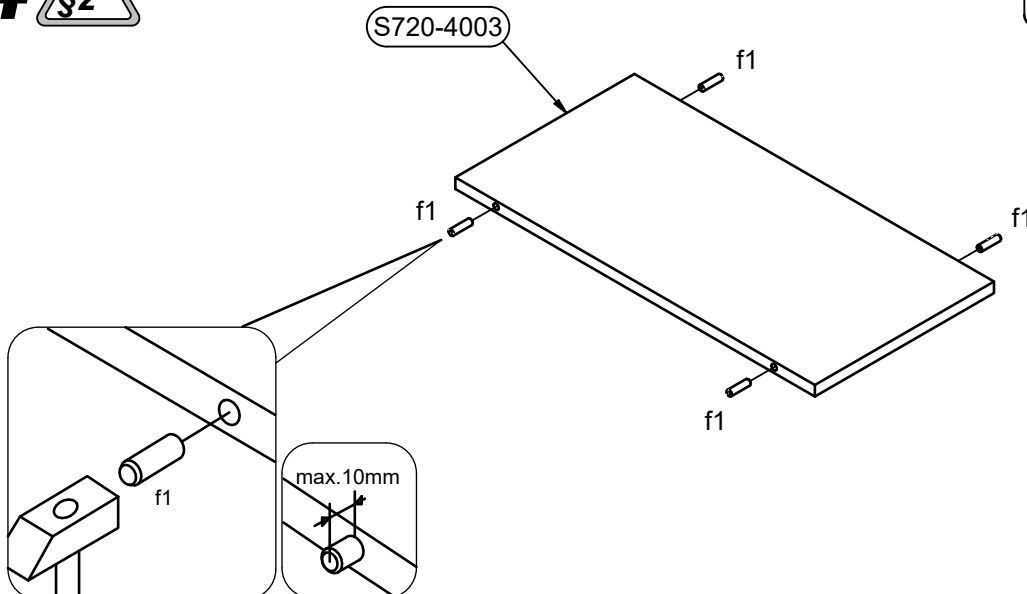
f1  30mm	4x	r1  15x12mm	2x
---	----	--	----



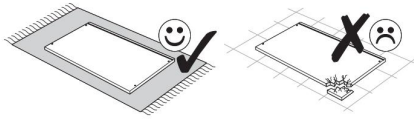
w165\2  L500mm	1x	p1  Ø3.5x13 mm	3x	f1  30mm	4x	r1  15x12mm	2x
--	----	---	----	---	----	--	----


3 **4** 

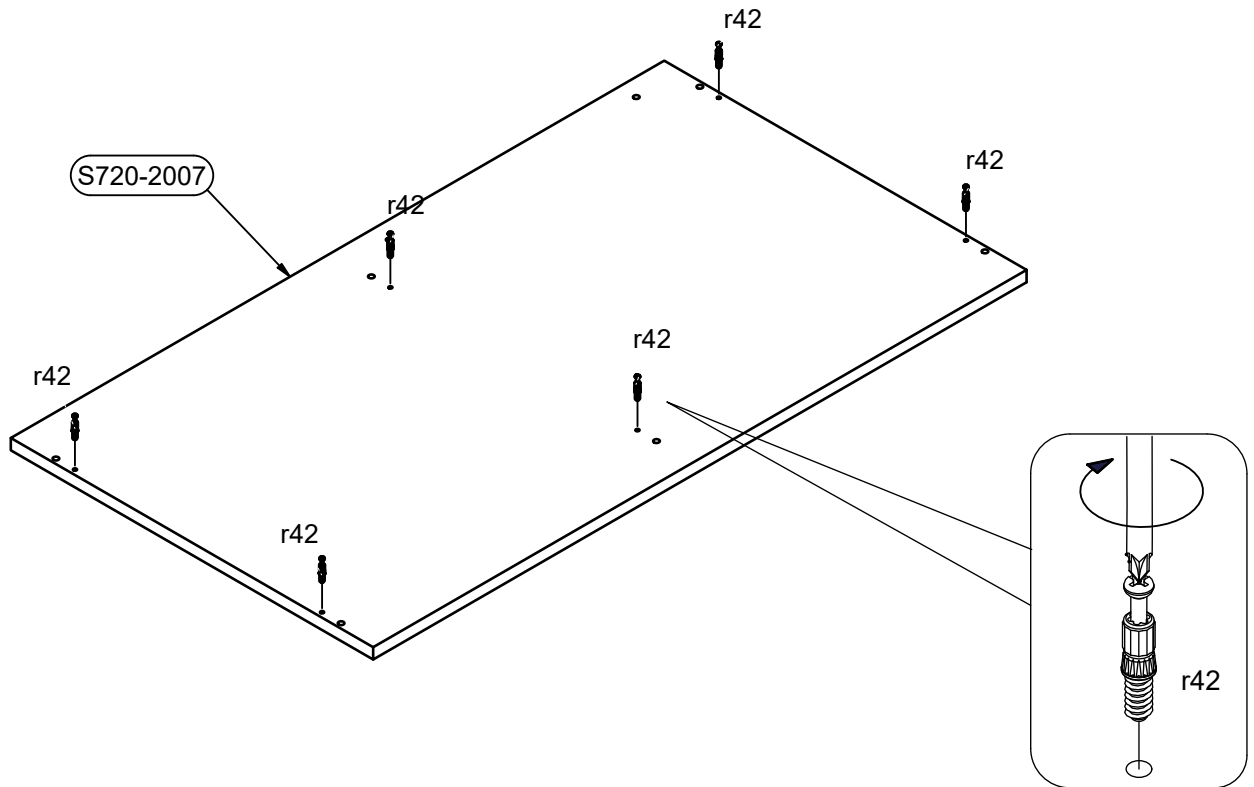
f1  30mm	4x
---	----



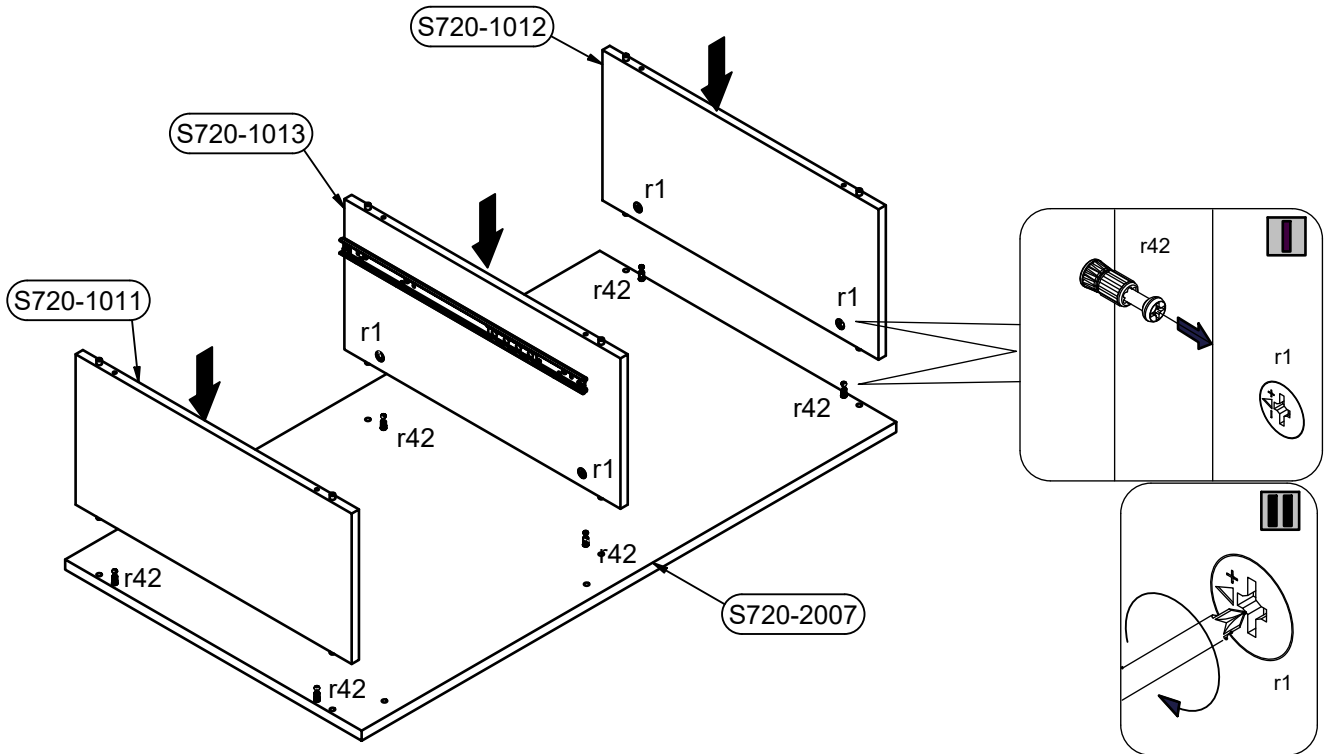
5



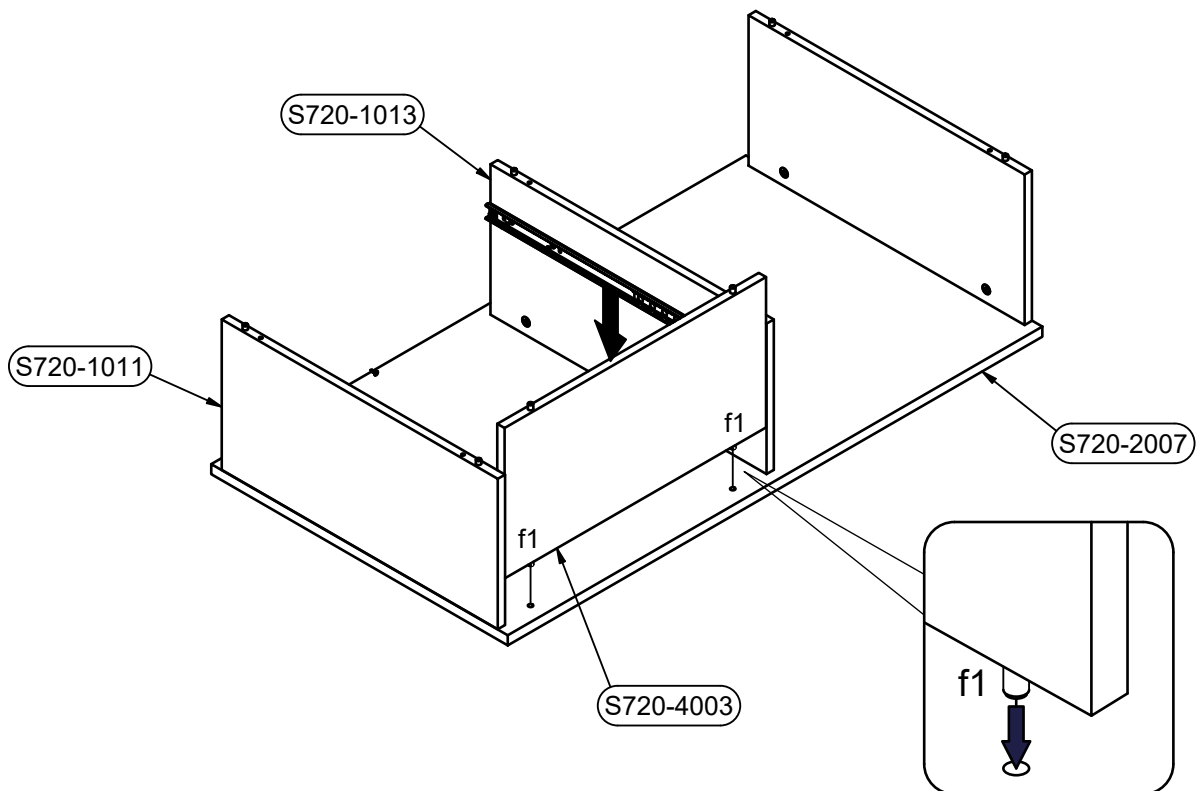
r42 	6x
--	----



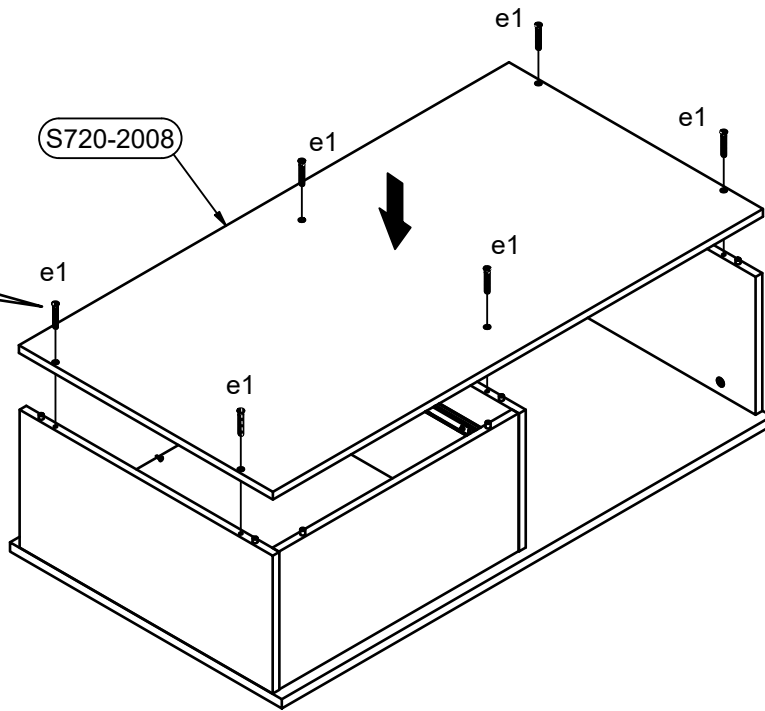
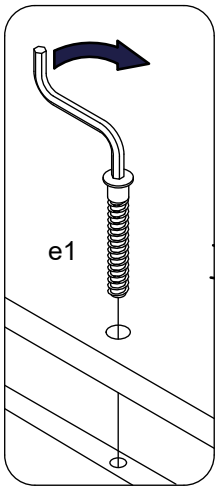
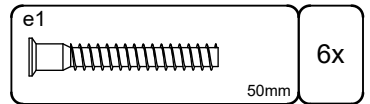
6



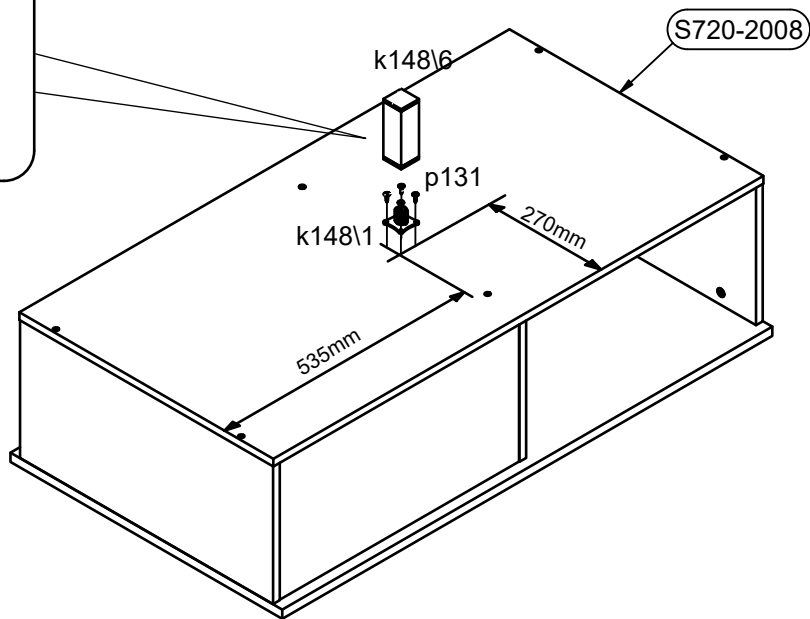
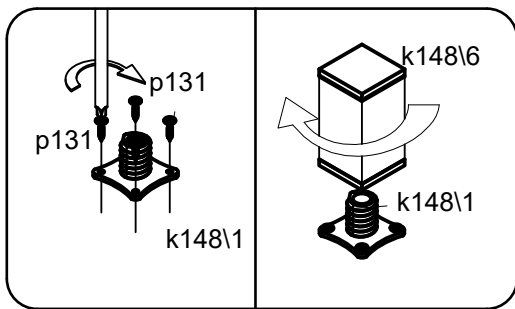
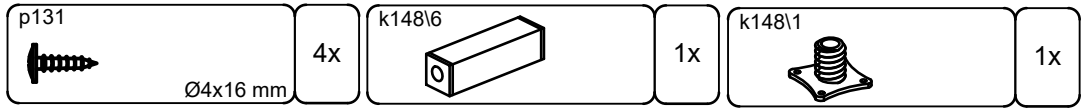
7



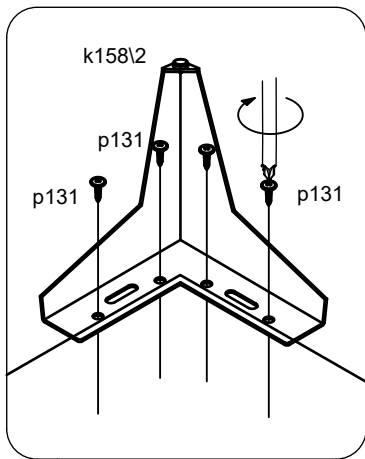
8



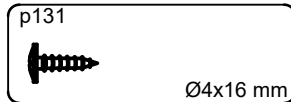
9



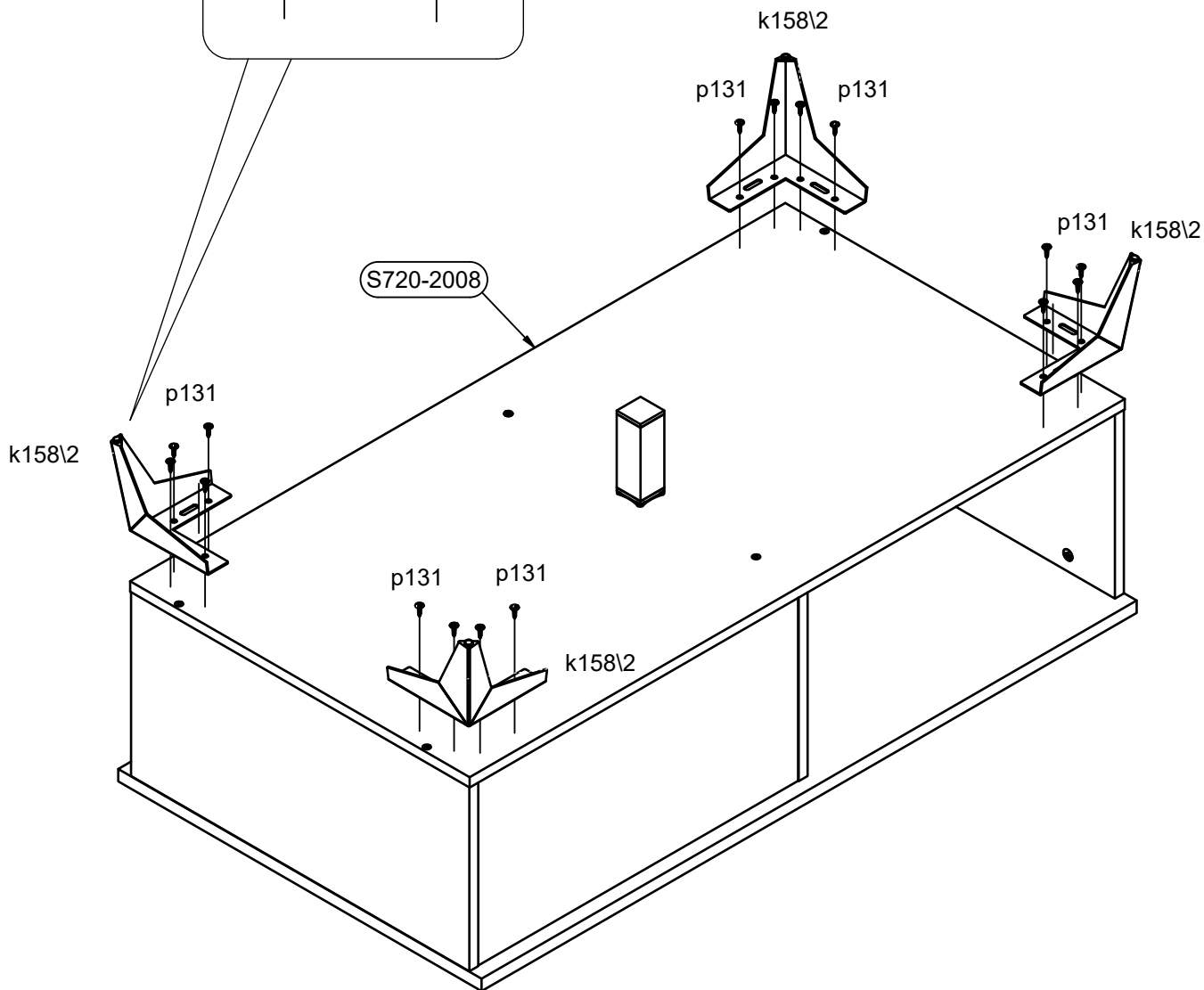
10



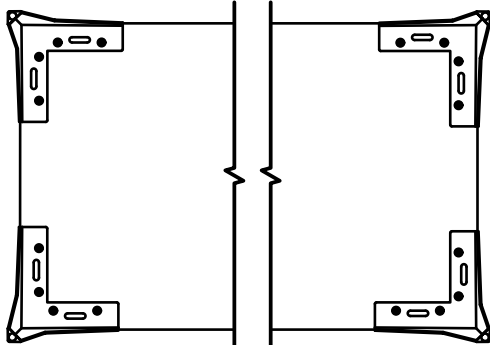
4x



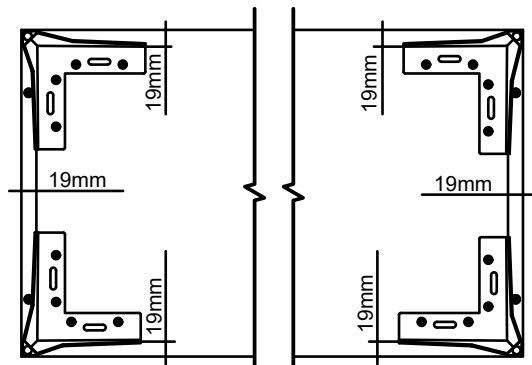
16x
Ø4x16 mm



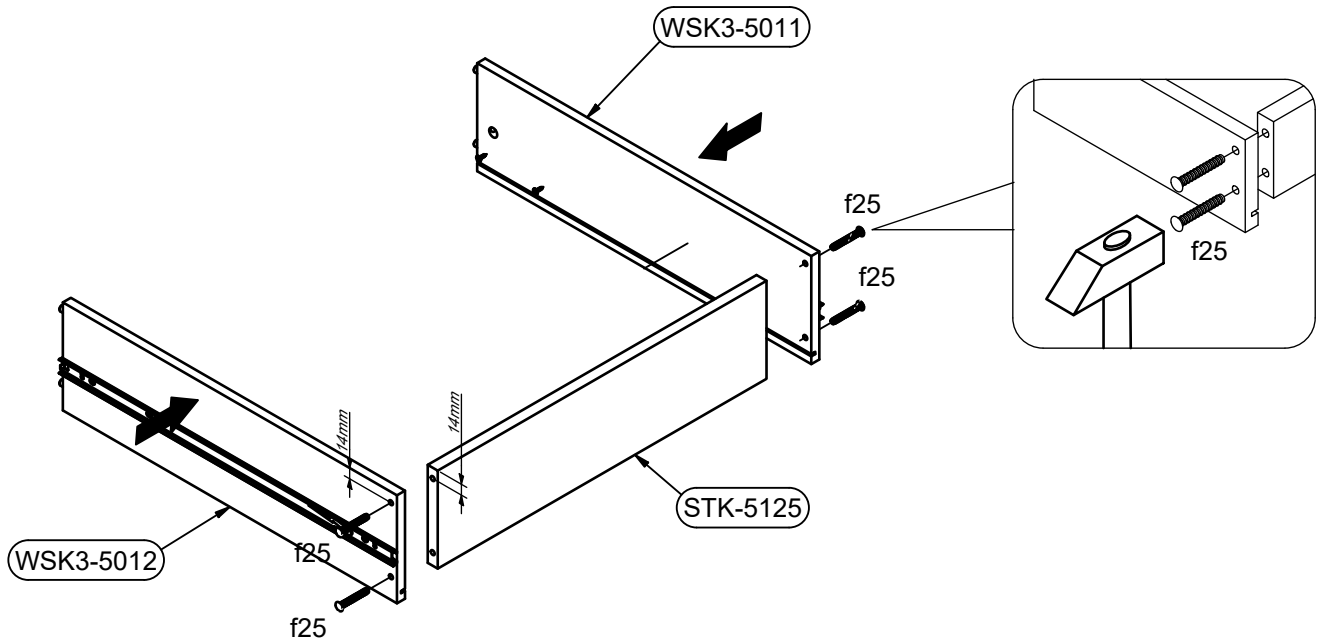
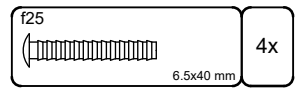
A



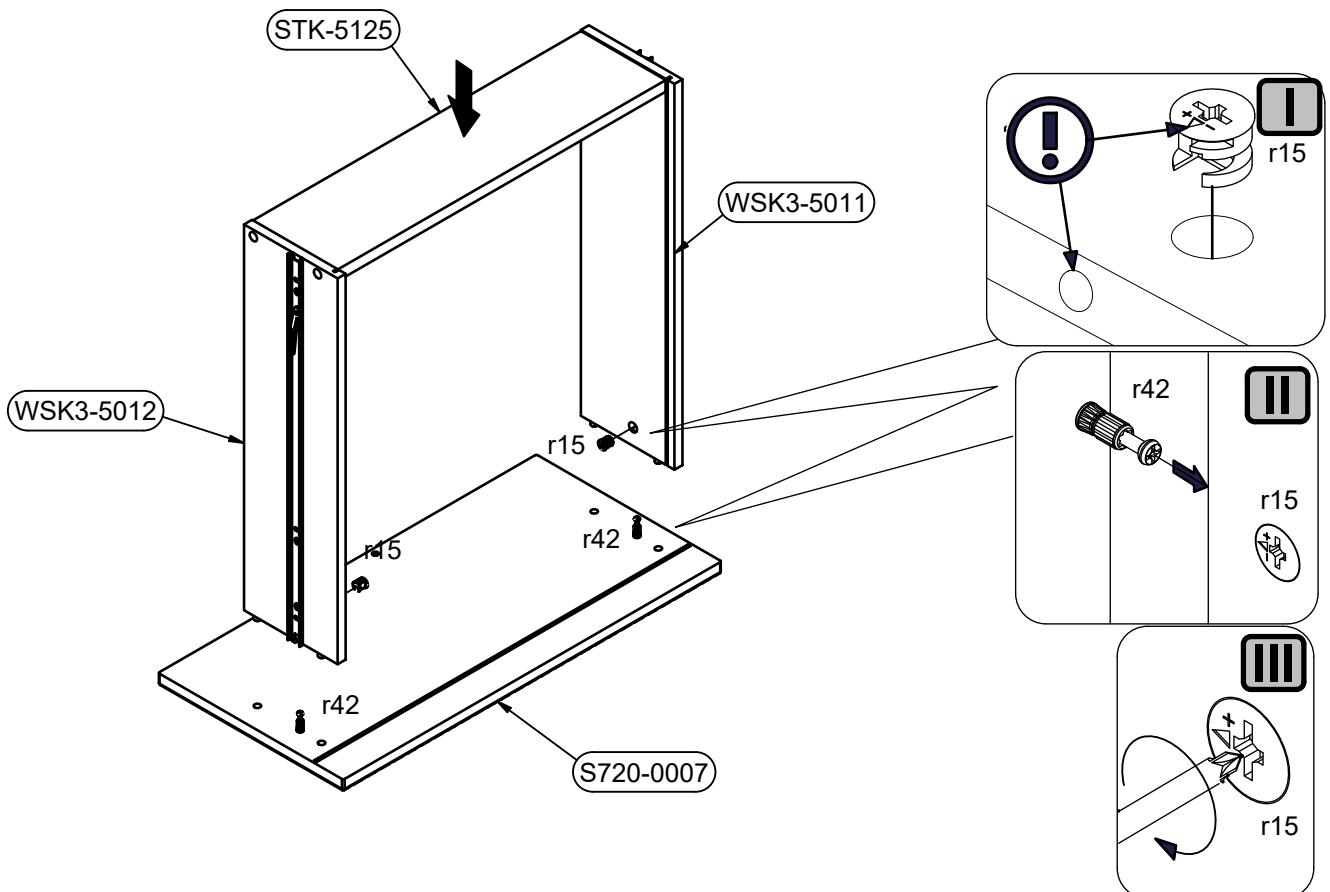
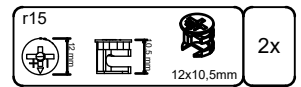
B



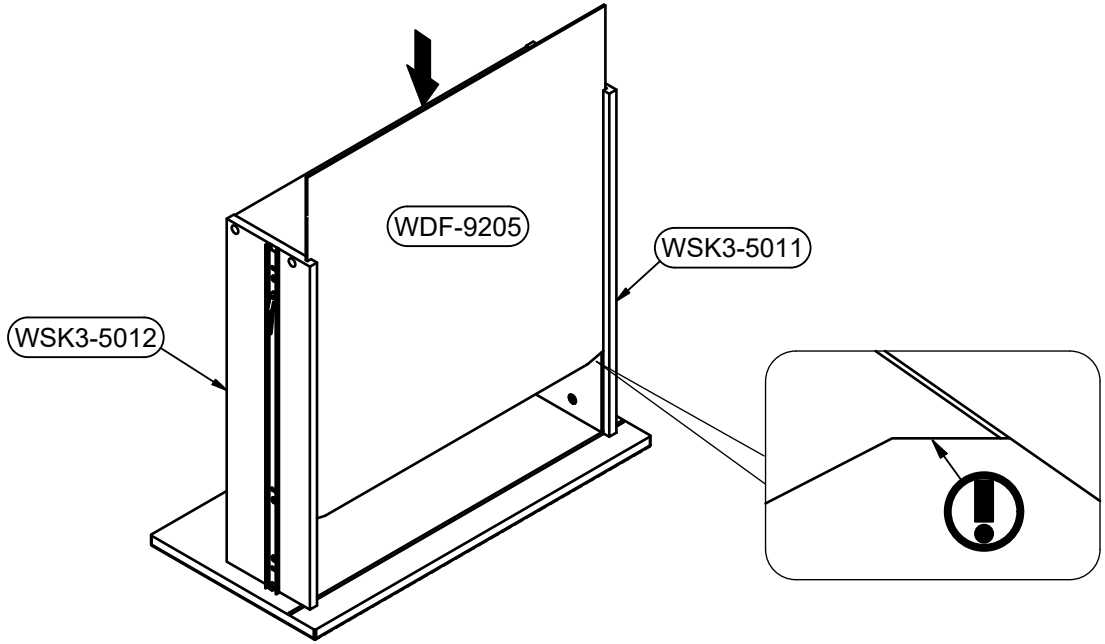
13



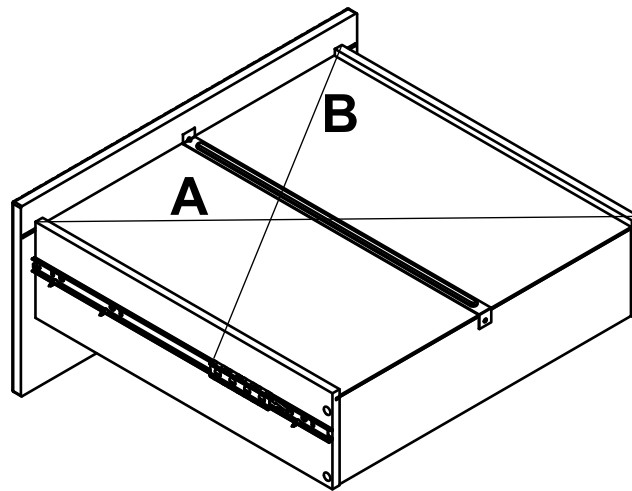
14



15



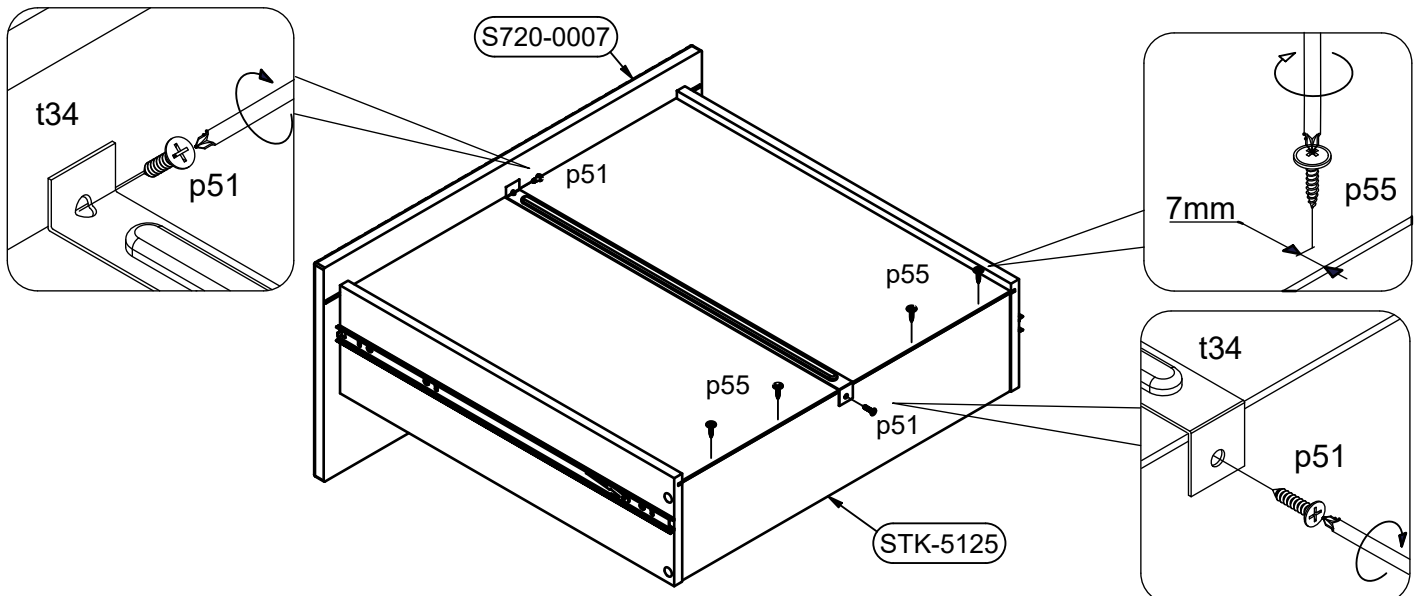
16



17





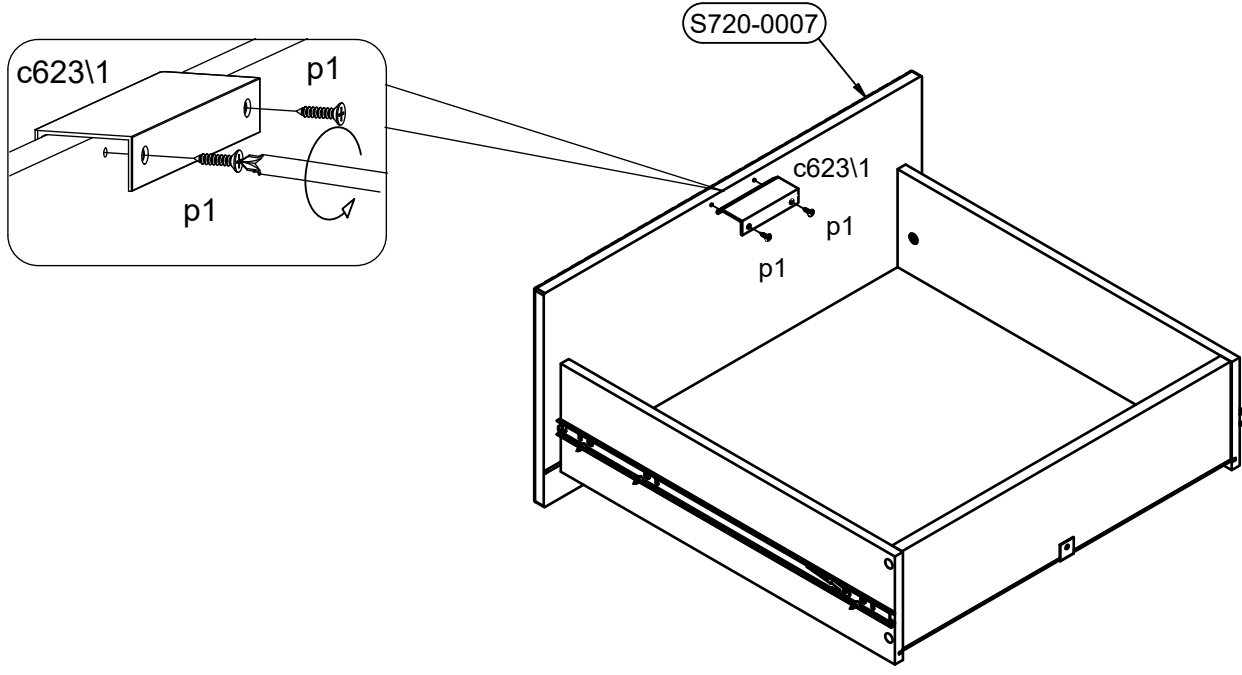
t34		1x	p51		2x	p55		4x
	L-500mm			Ø3.5x15 mm			2.8x16mm	



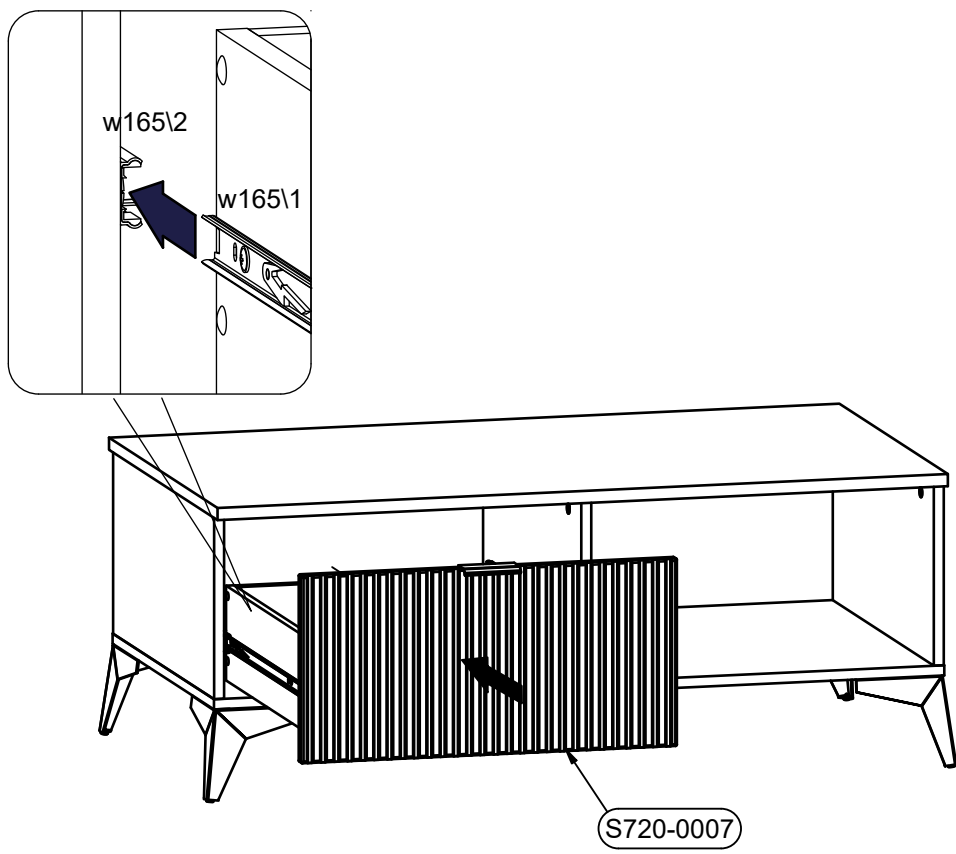
18



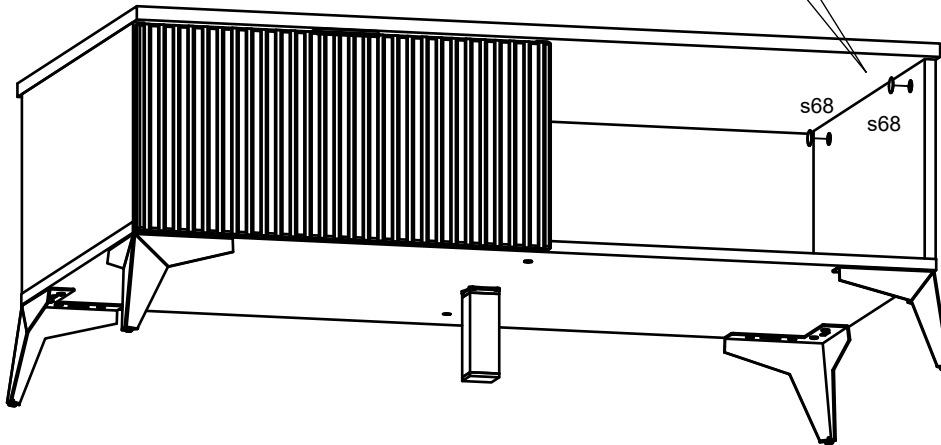
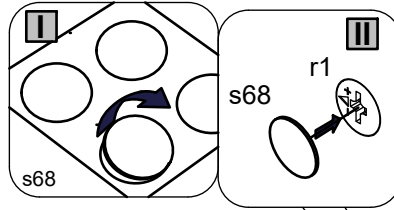
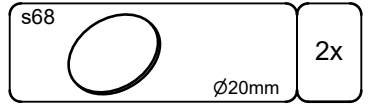
p1  Ø3.5x13 mm	2x	c623\1  L84/64mm	1x
---	----	---	----



19



20



21

