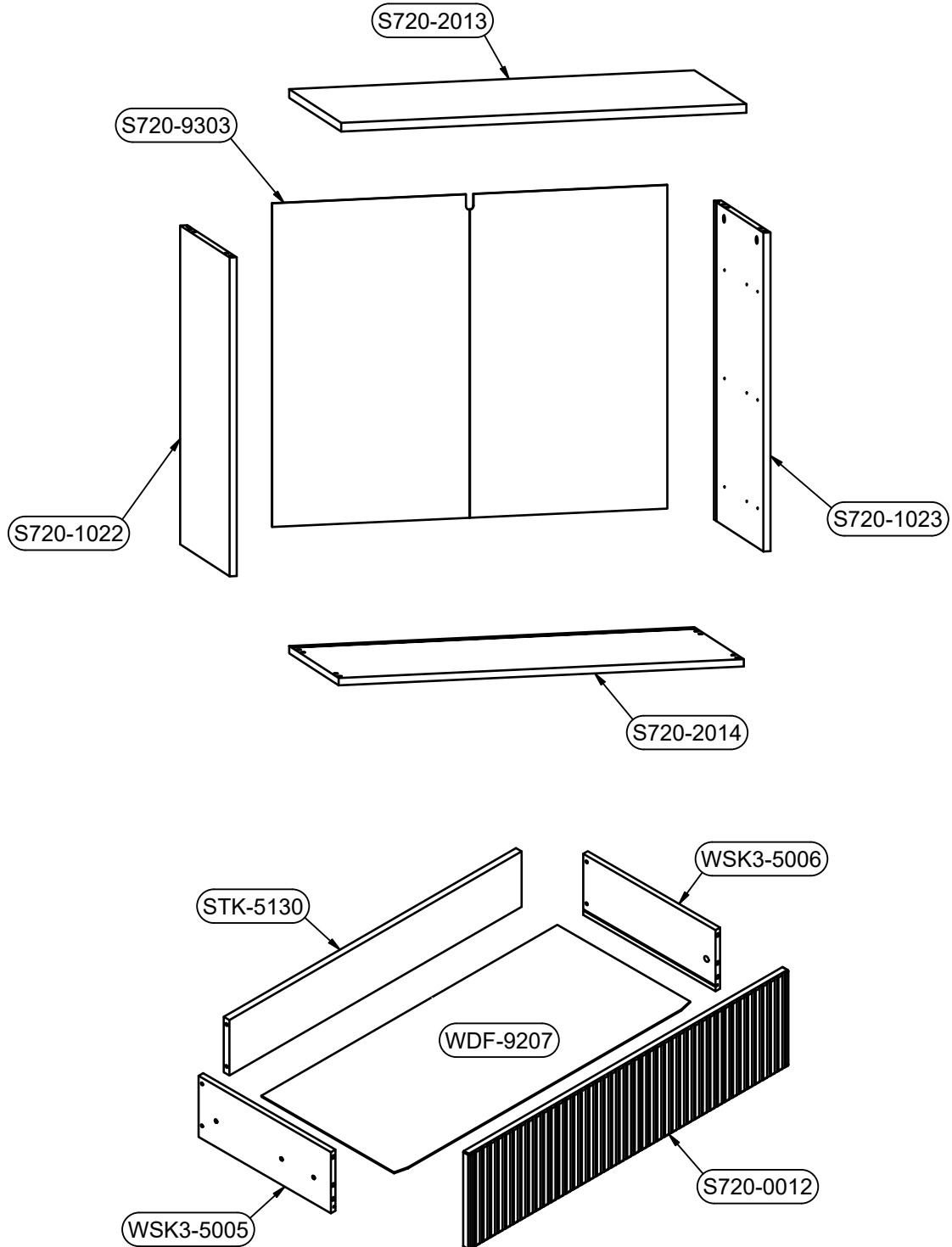
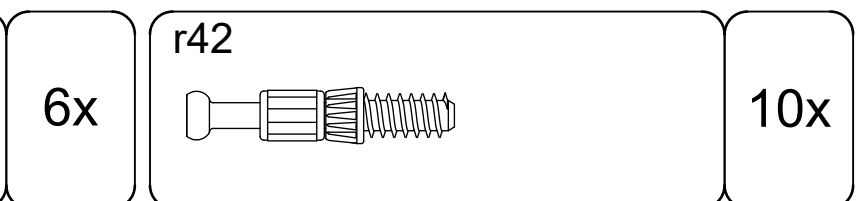
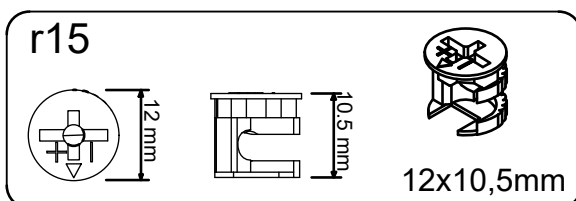
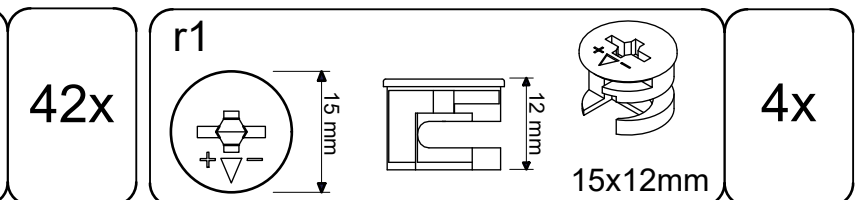
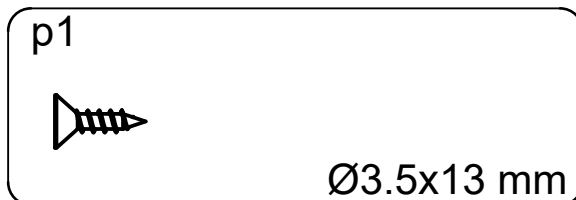
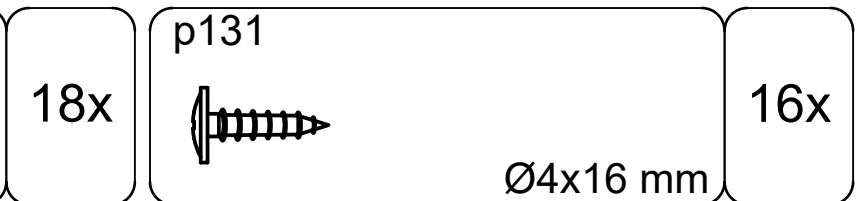
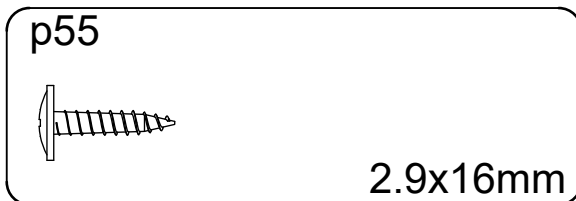
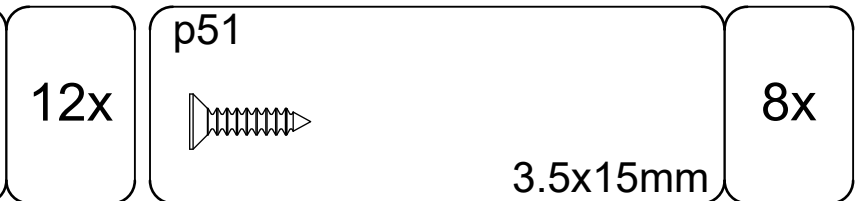
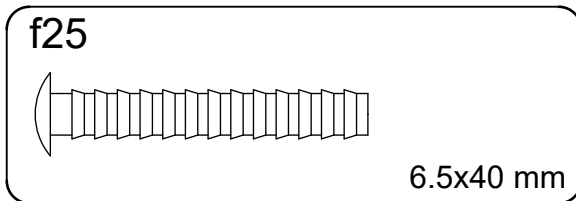
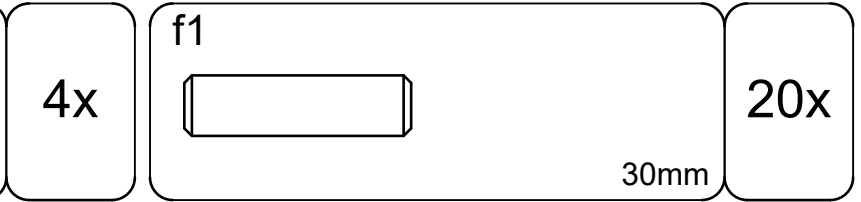
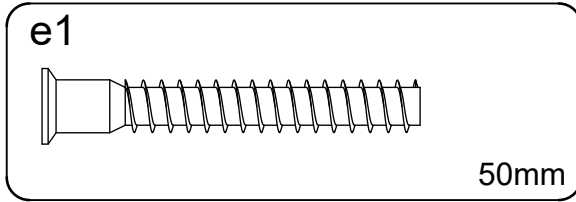
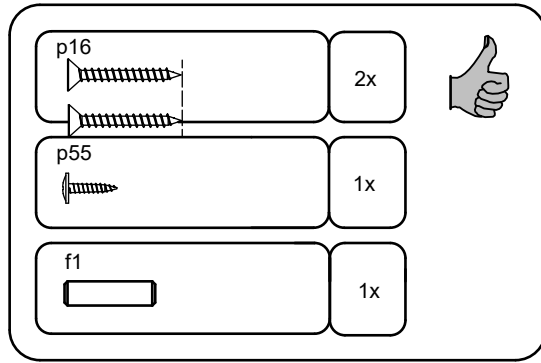
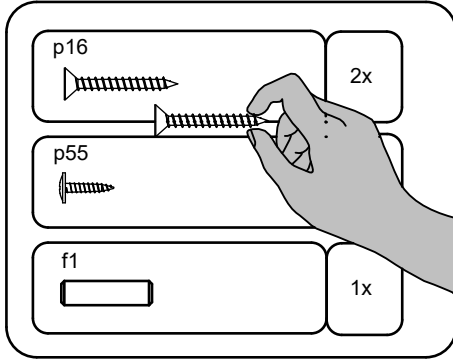


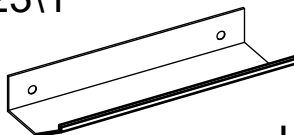
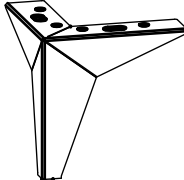
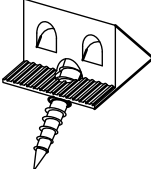
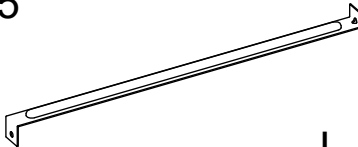
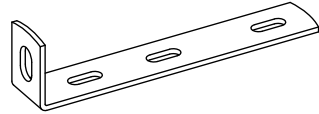
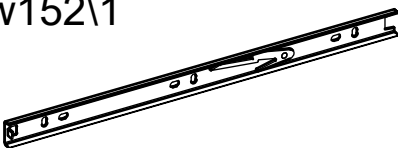
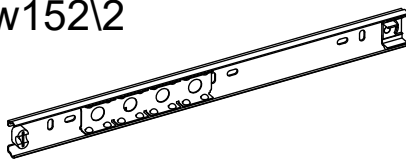

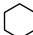
B1	B2	C1	C2	C3	C4	D
WSK3-5005	-4	350	140	12	3	1/1
WSK3-5006	-4	350	140	12	3	1/1
S720-1023	-1	656	387	15	1	1/1
S720-1022	-1	656	387	15	1	1/1
S720-2013	-1	850	407	18	1	1/1
S720-2014	-1	850	387	15	1	1/1
S720-9303	-2	666	829	2,5	1	1/1
S720-0012	-	846	219	16	3	1/1
STK-5130	-	773	127	15	3	1/1
WDF-9207	-	783	358	2,5	3	1/1

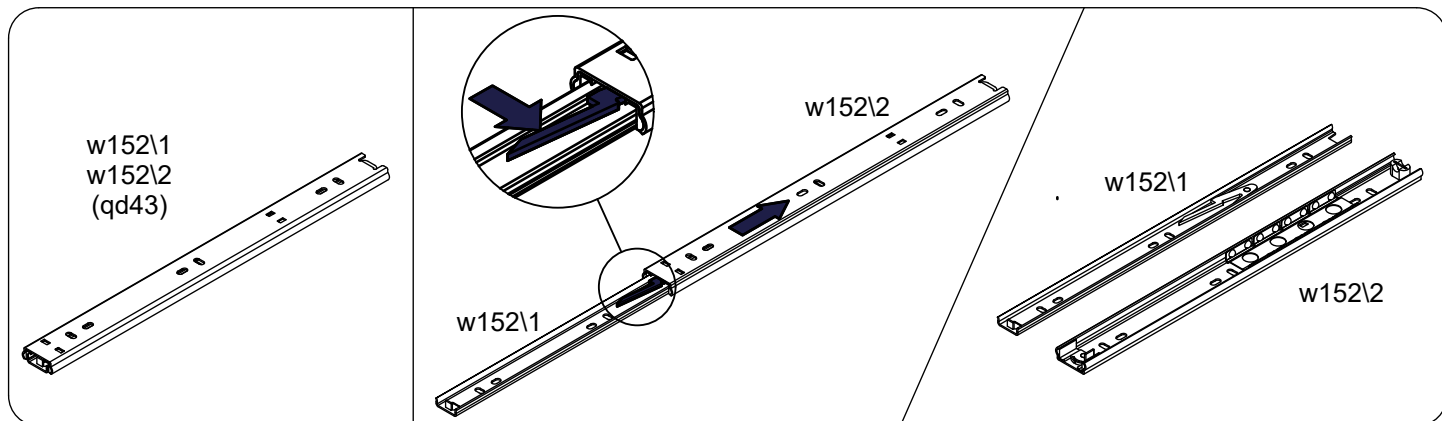


1:1



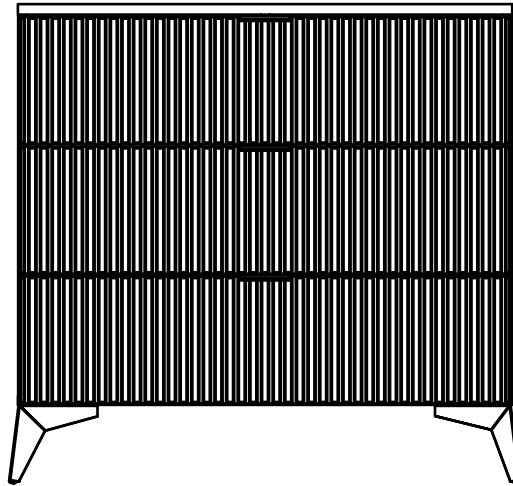
~~1:1~~

<p>c623\1</p>  <p>L84/64mm</p>	<p>3x</p>	<p>k158\2</p> 	<p>4x</p>
<p>l2</p> 	<p>8x</p>	<p>t35</p>  <p>L-350mm</p>	<p>3x</p>
<p>n14\2</p> 	<p>1x</p>	<p>w152\1</p>  <p>L350</p>	<p>6x</p>
<p>w152\2</p>  <p>L350</p>	<p>6x</p>	<p>z1</p>  <p> 4mm</p>	<p>1x</p>

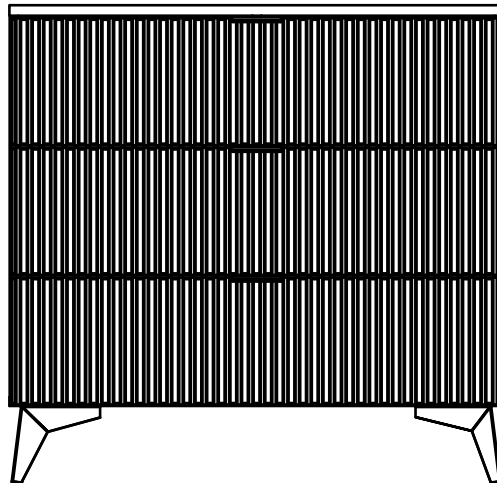


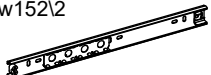

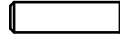

7

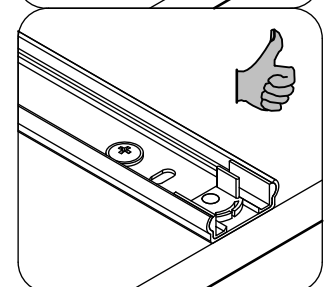
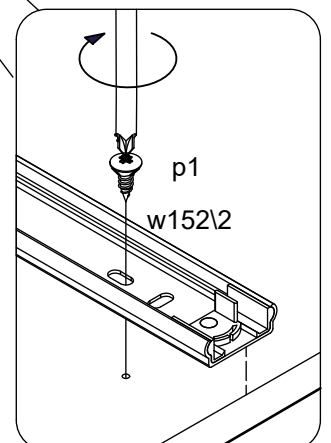
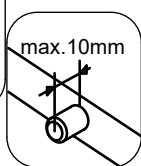
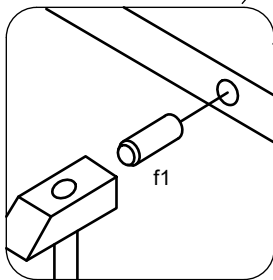
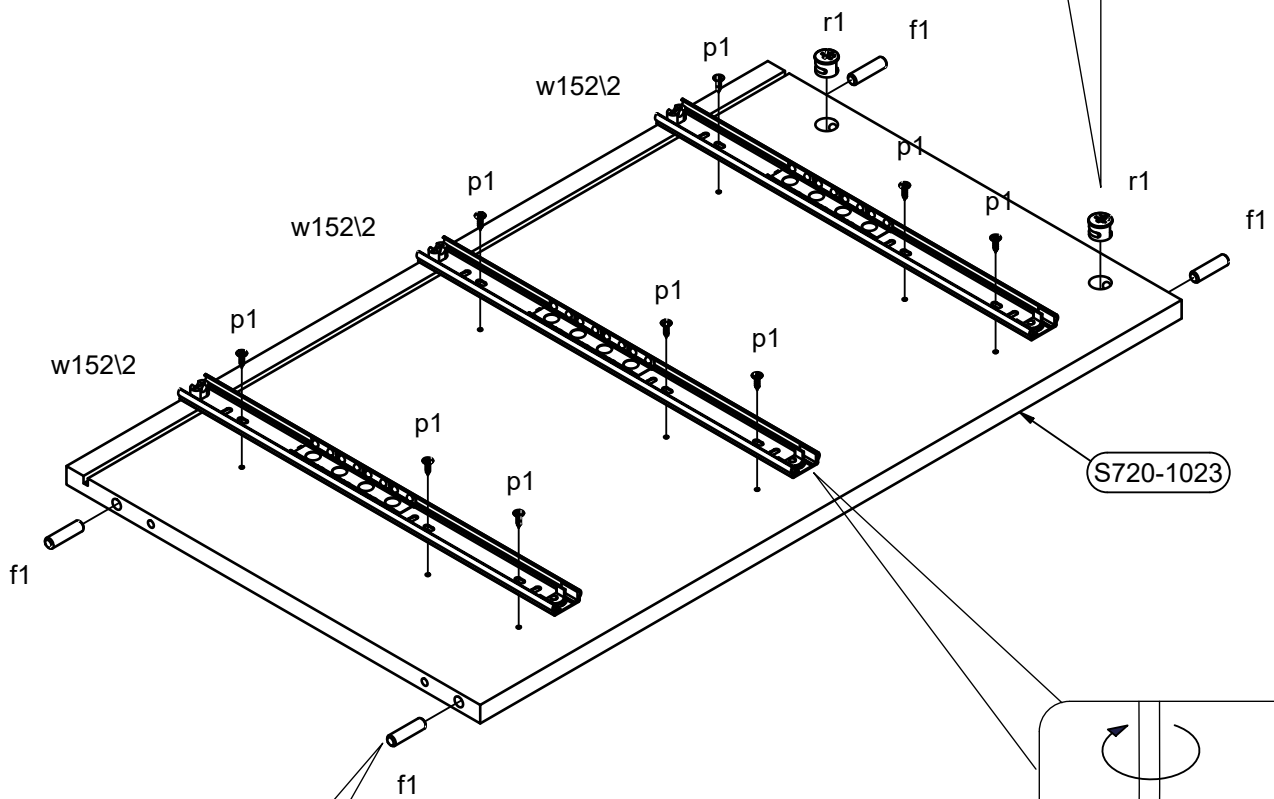
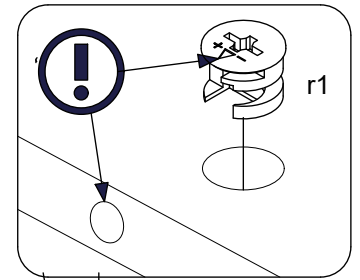
A

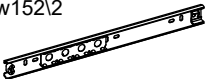

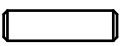



B

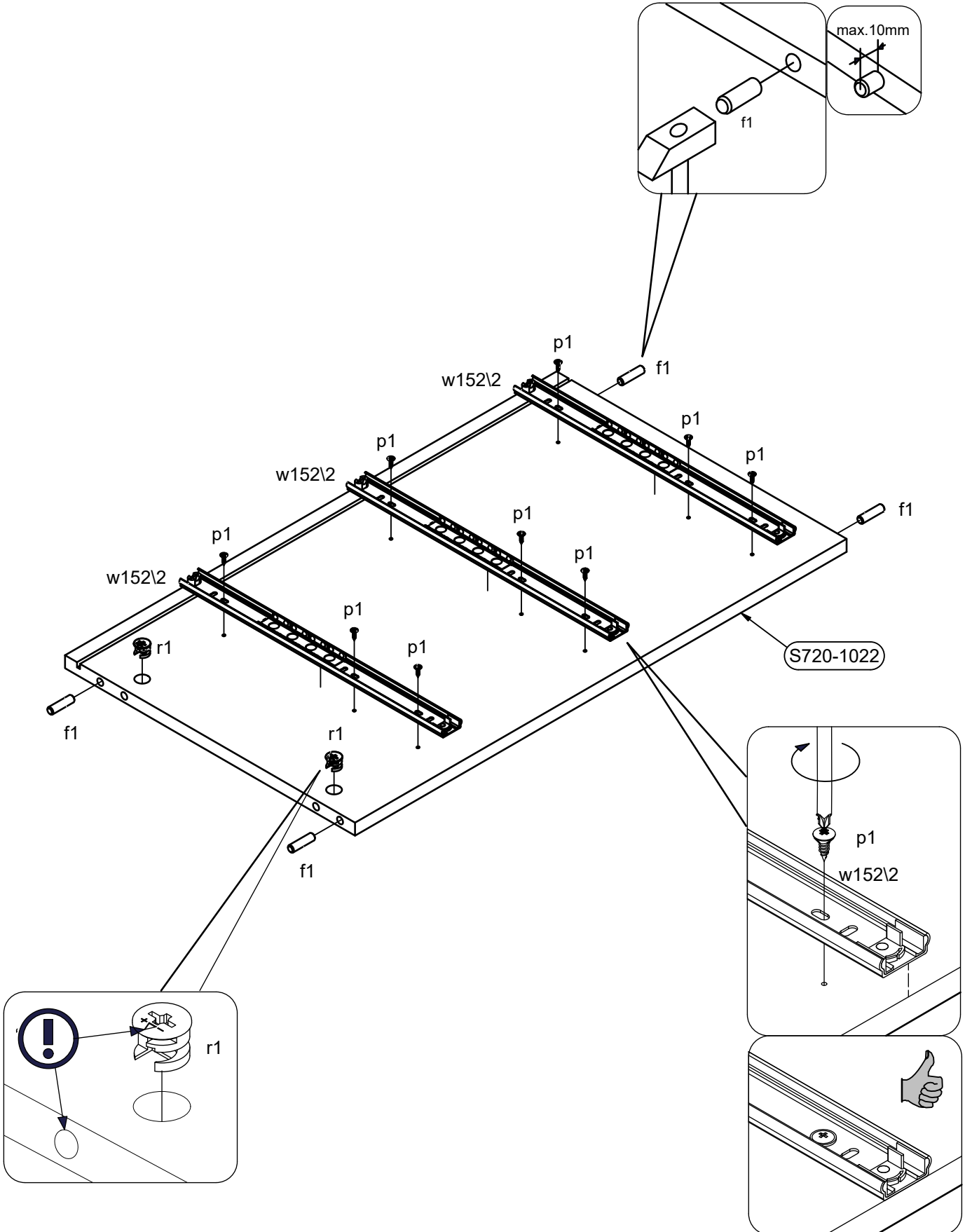


w152\2  L350	3x	p1  Ø3.5x13 mm	9x	f1  30mm	4x	r1  15x12mm	2x
--	----	---	----	---	----	--	----

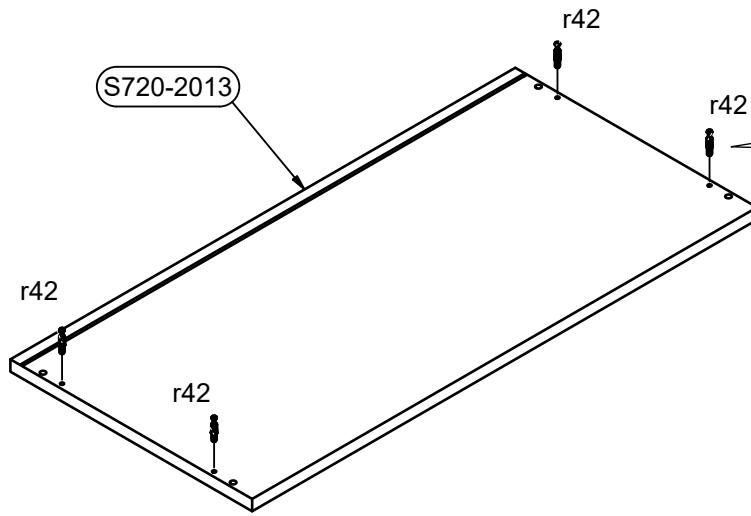
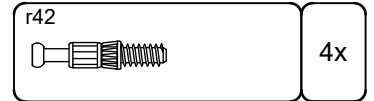
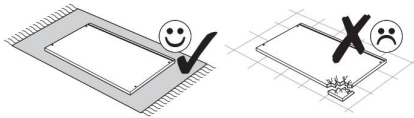
1

w152\2  L350	3x	p1  Ø3.5x13 mm	9x	f1  30mm	4x	r1  15x12mm	2x
--	----	---	----	---	----	--	----

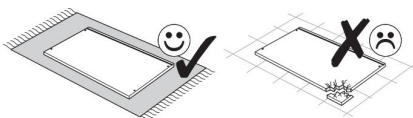
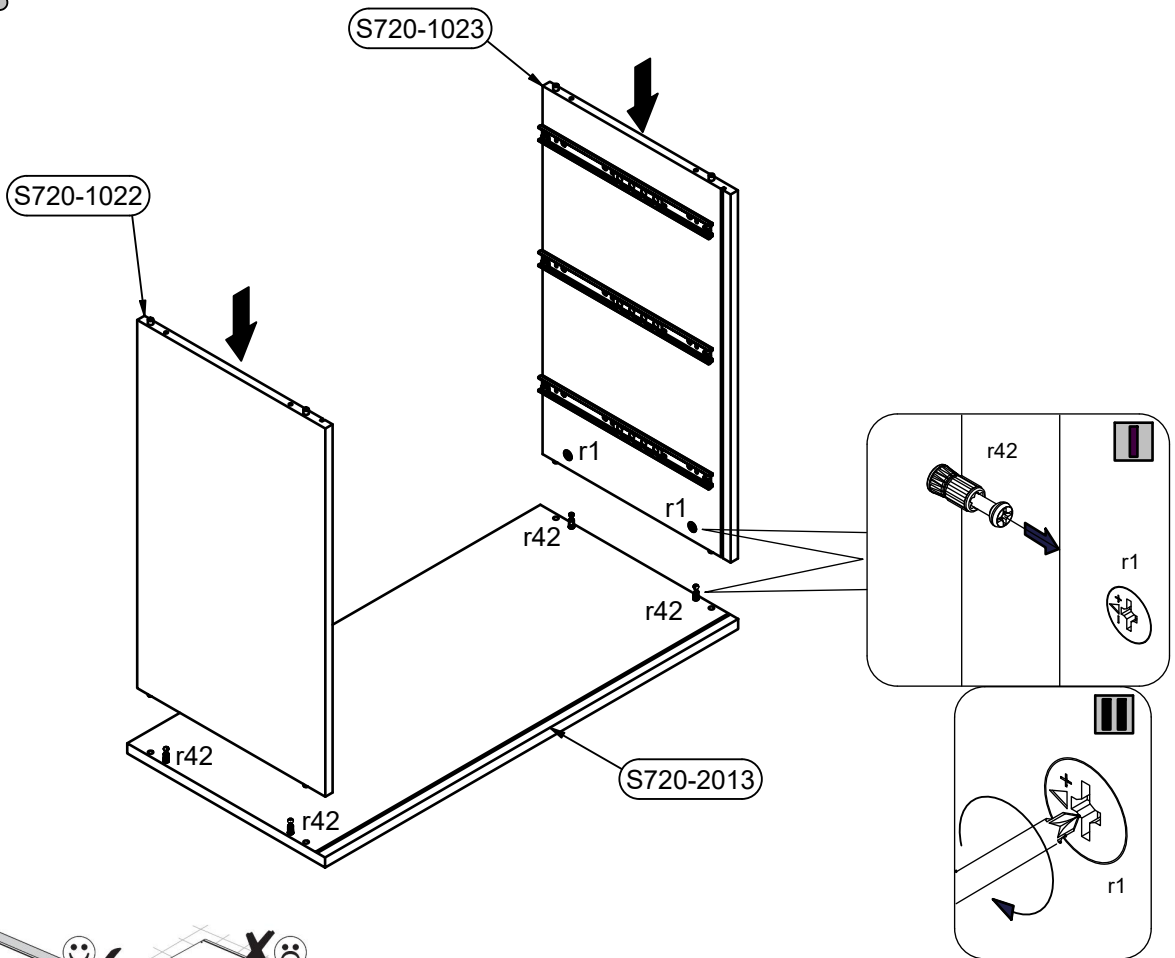
2 



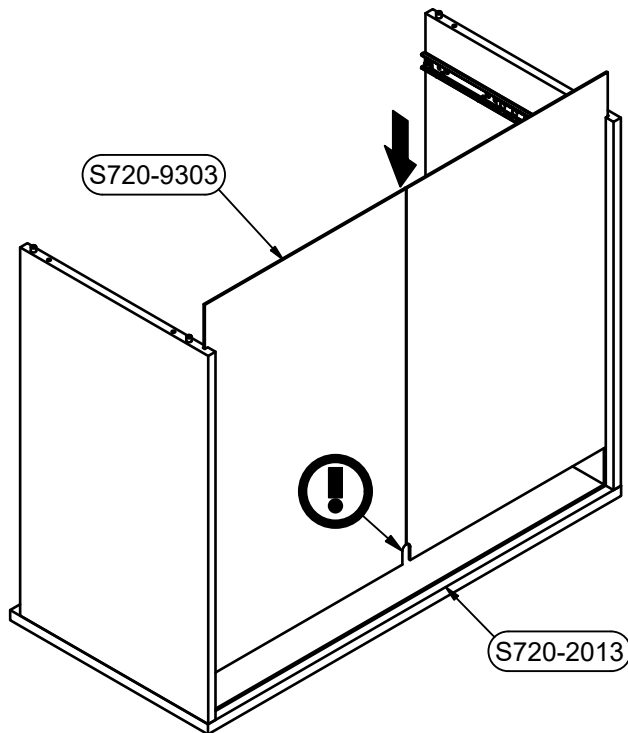
3



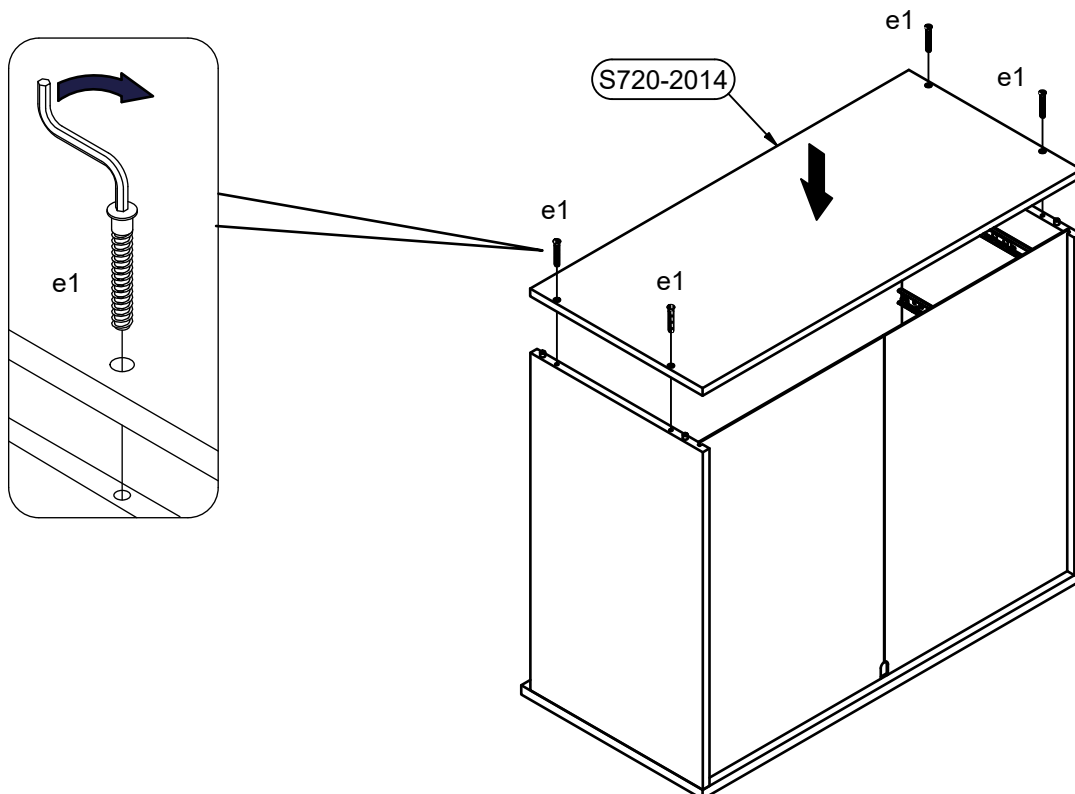
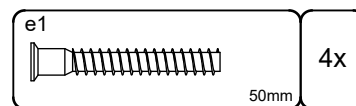
4



5



6



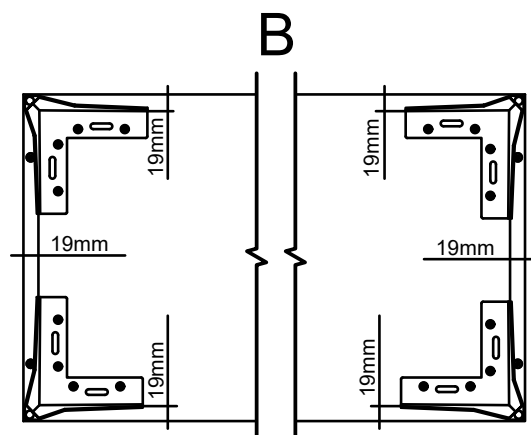
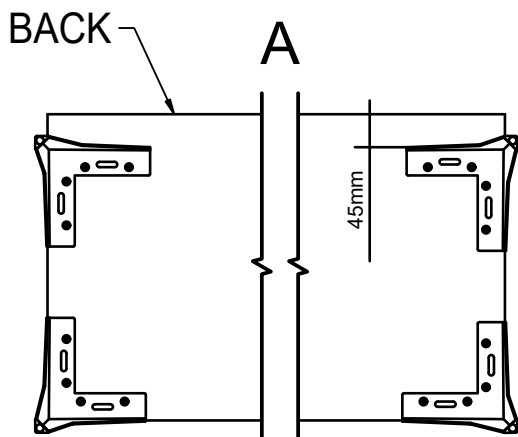
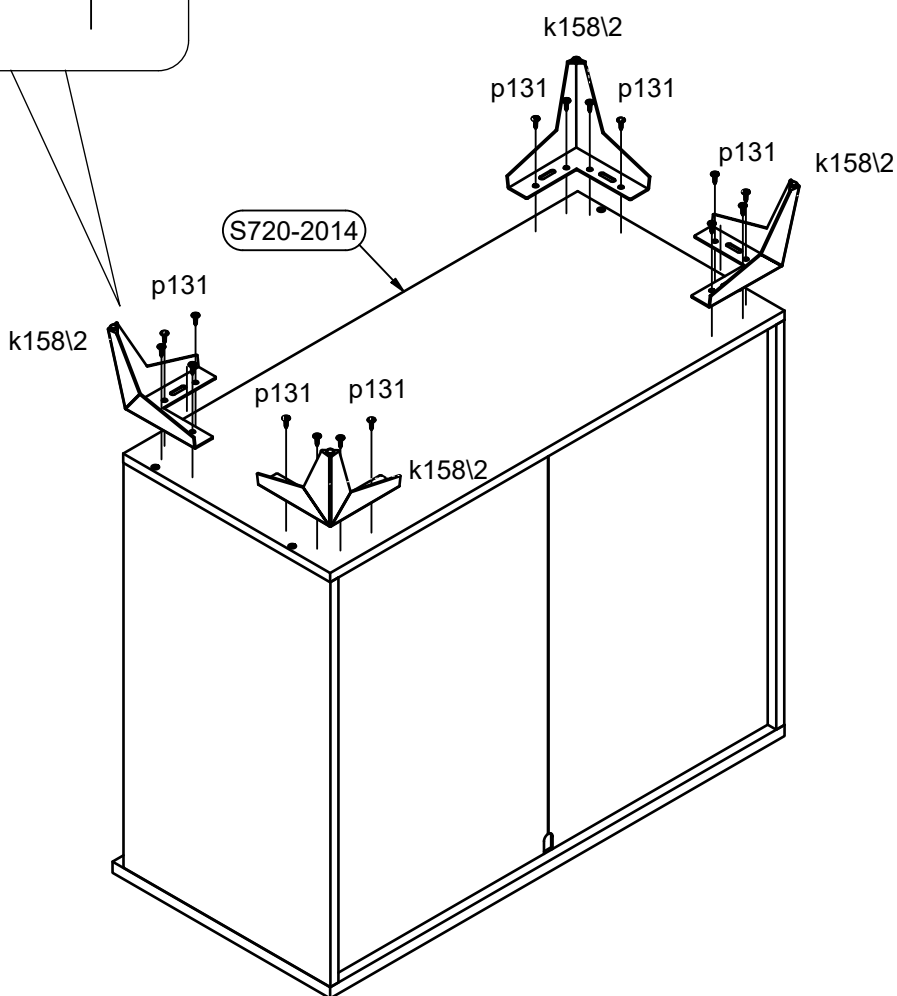
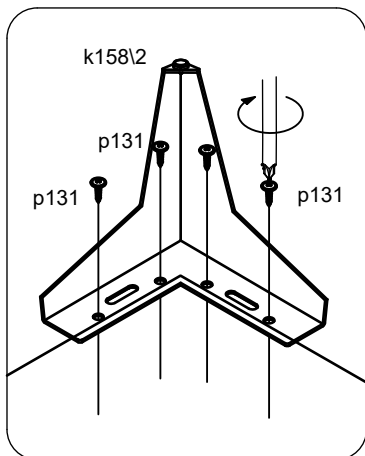
7



4x

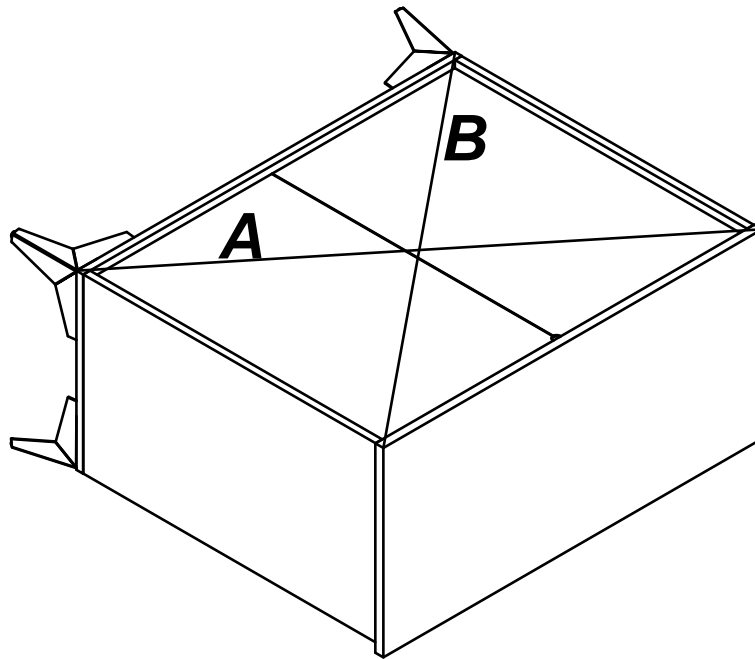


16x
Ø4x16 mm

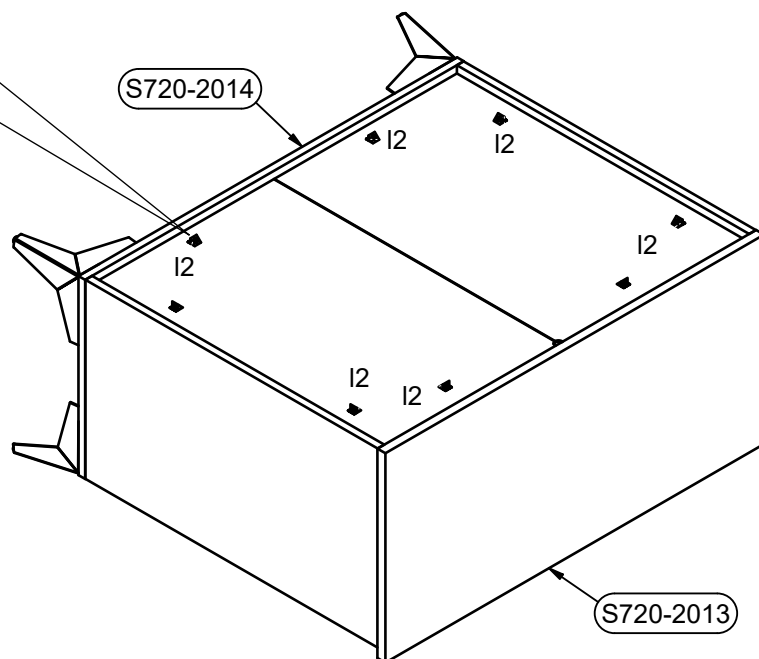
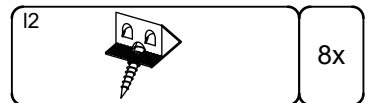
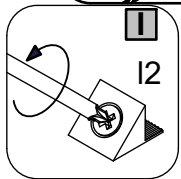
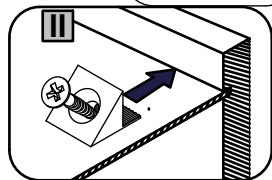


8

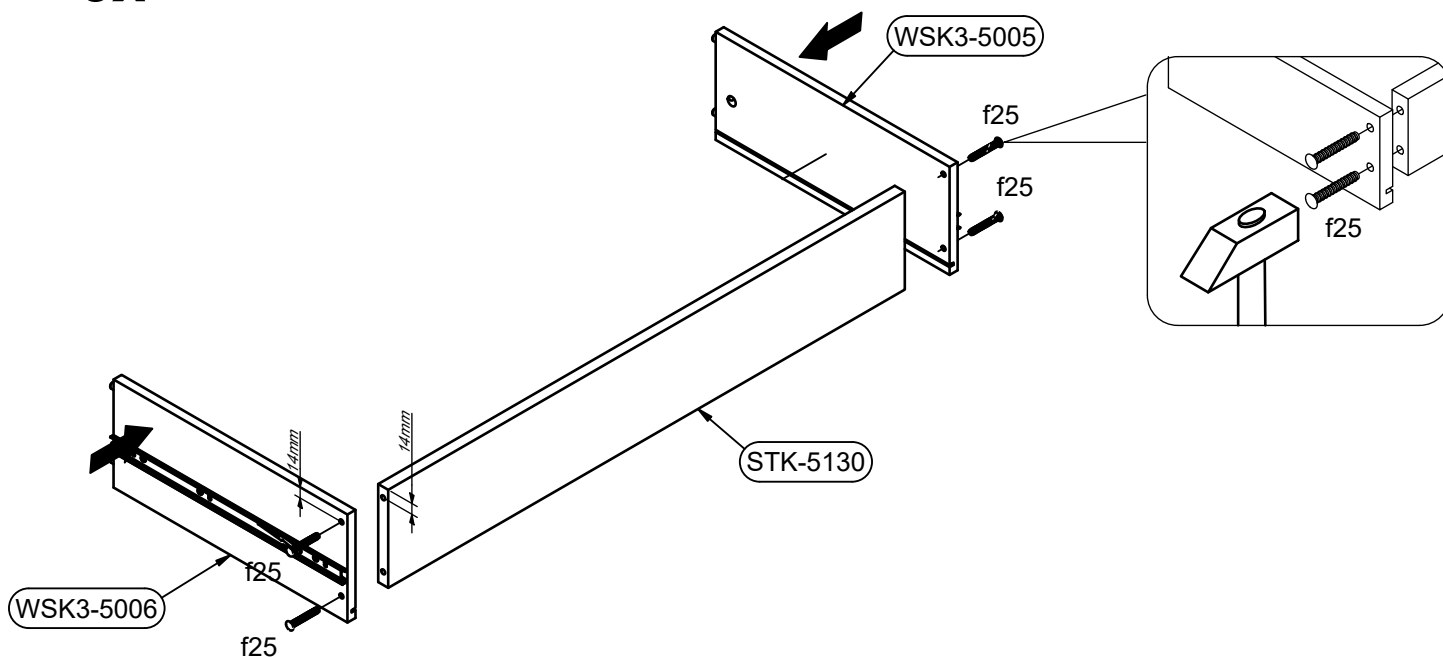
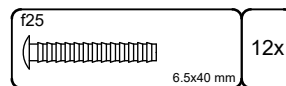
A=B
!



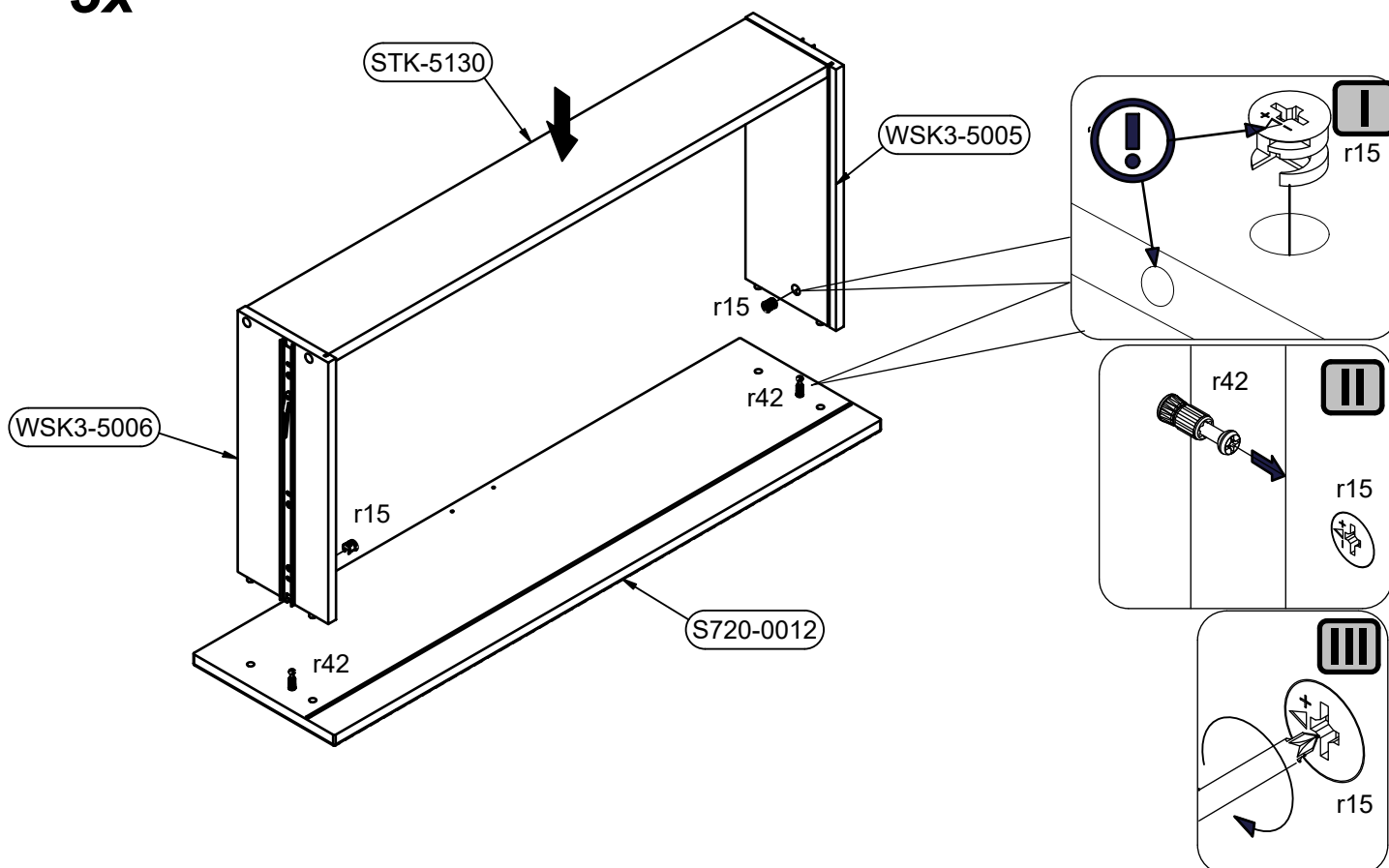
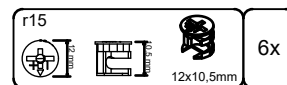
9



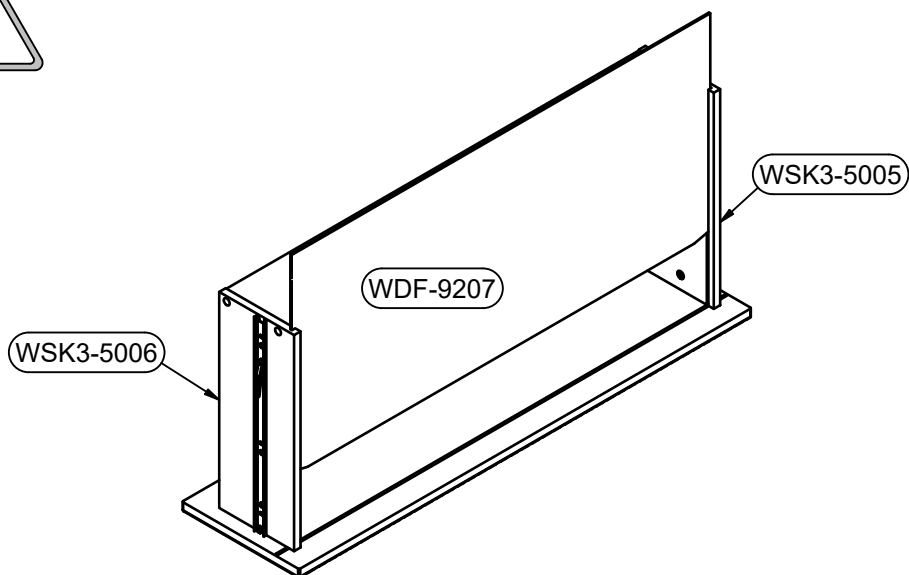
12
3x



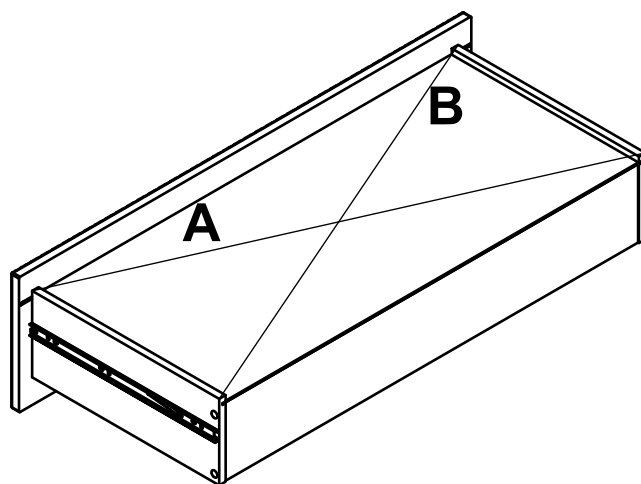
13
3x



14



15

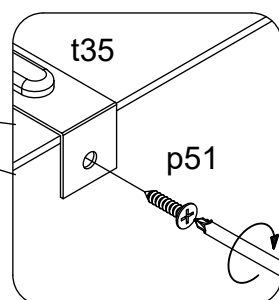
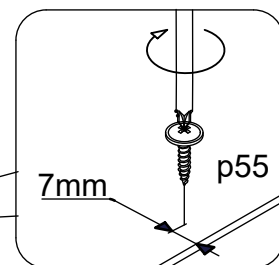
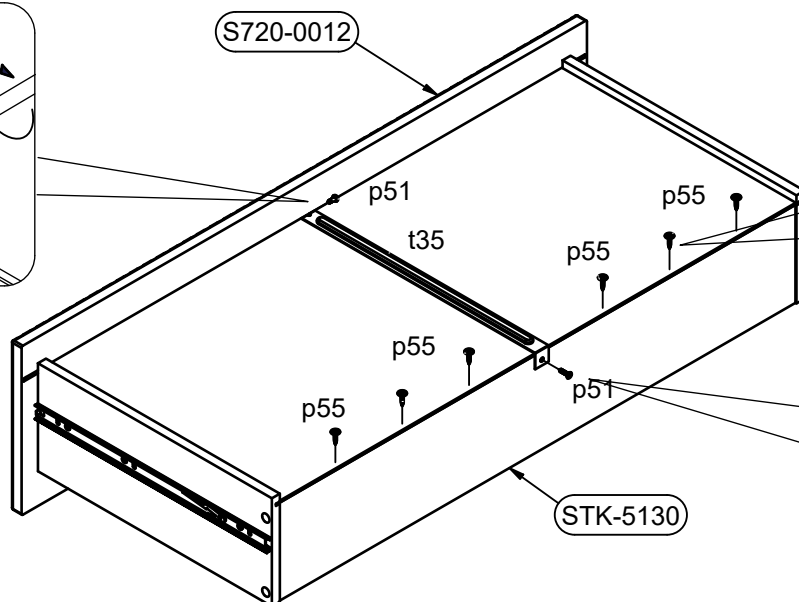
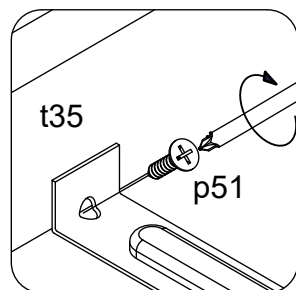


A=B

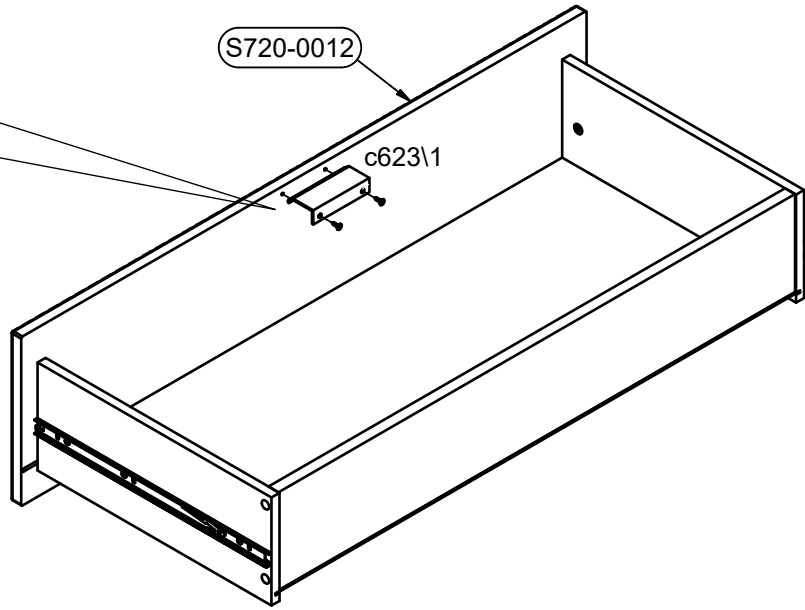
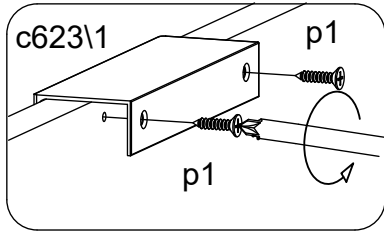
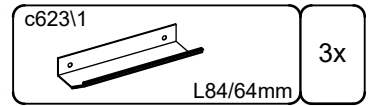
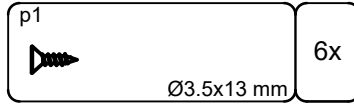
16



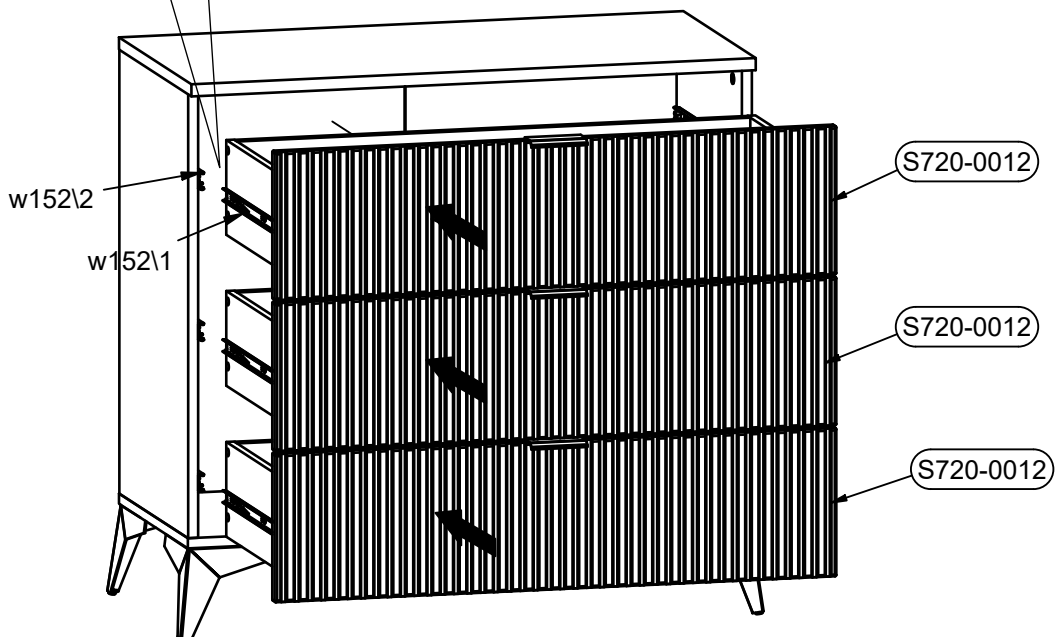
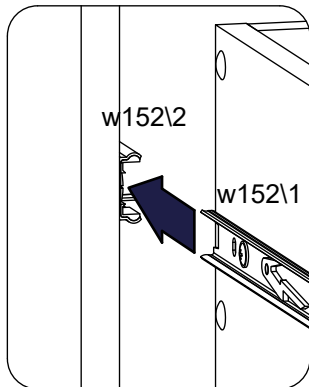
t35		3x	p51		6x	p55		18x
	L-350mm			Ø3.5x15 mm			2.8x16mm	



17



18



19

