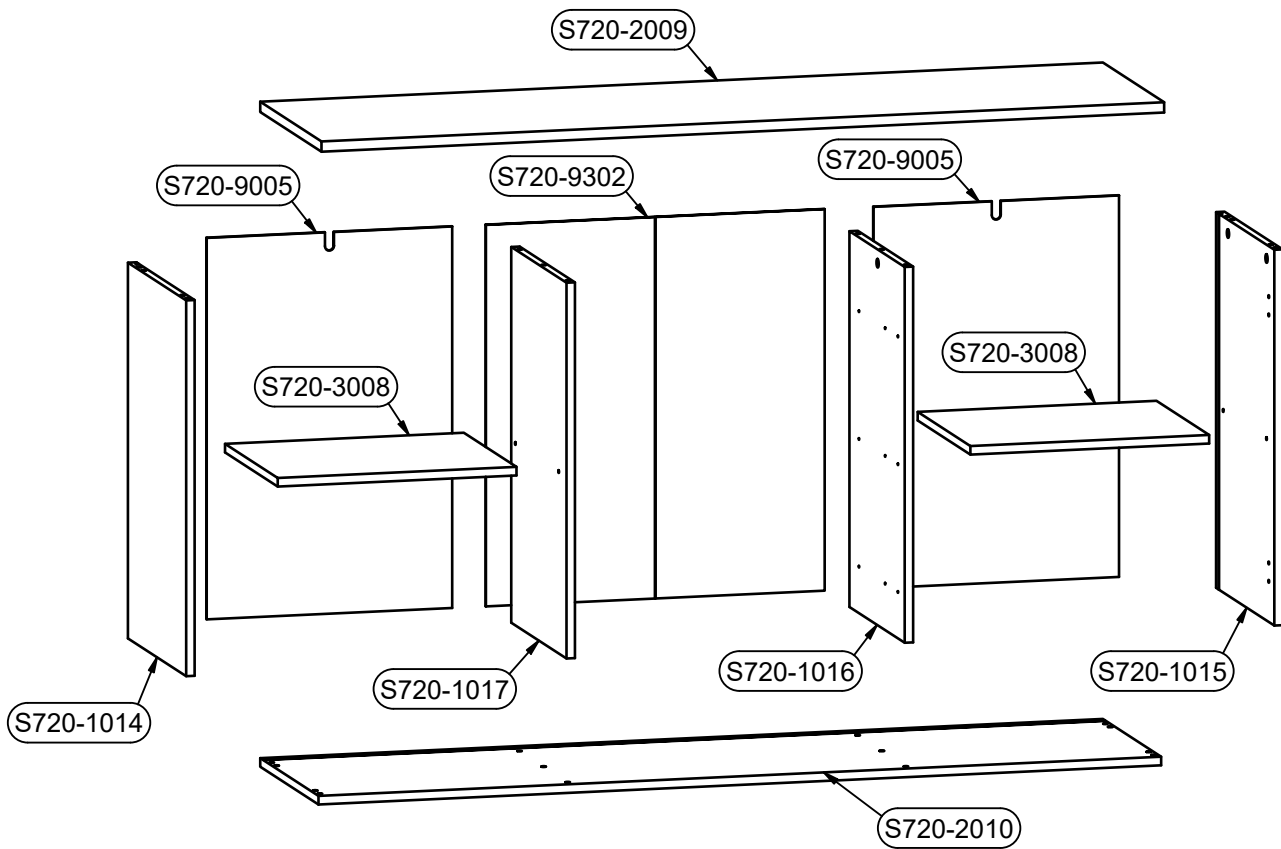
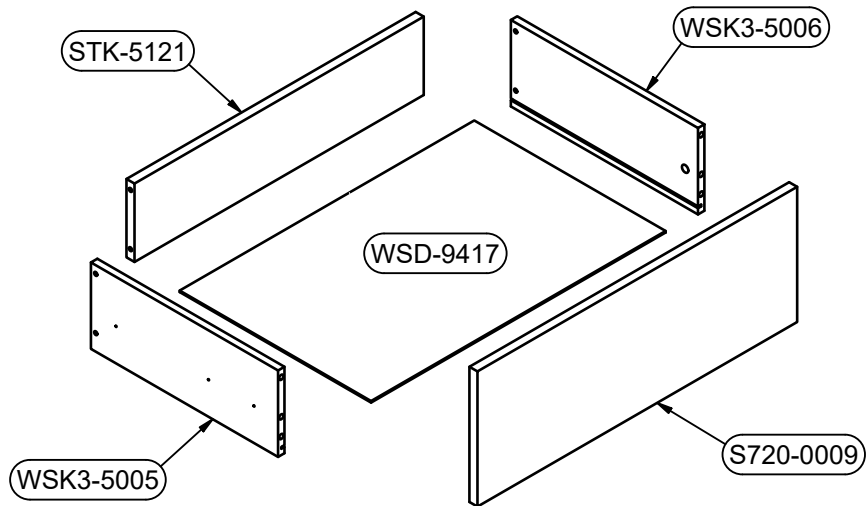
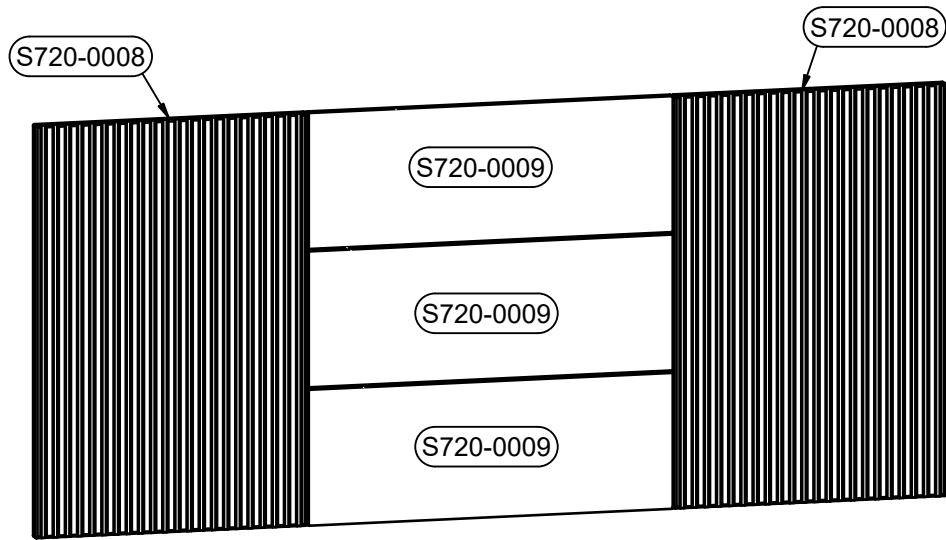
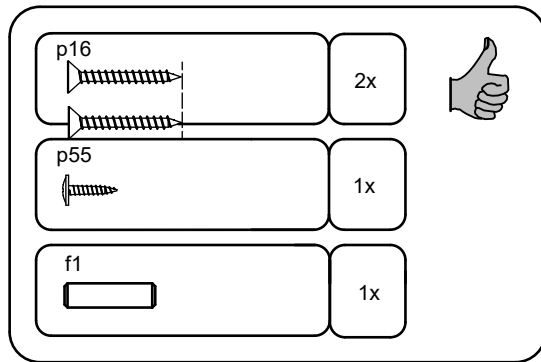
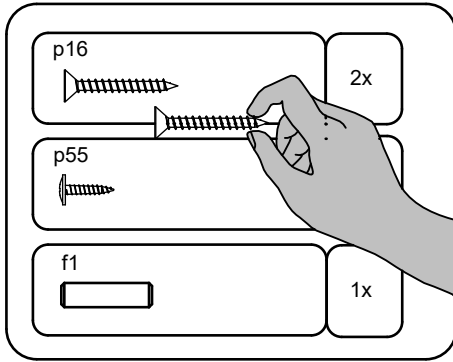


B1	B2	C1	C2	C3	C4	D
S720-0008	-.1	665	446	16	2	1/3
S720-0009	-.1	598	219	15	3	1/3
S720-1014	-.2	656	387	15	1	2/3
S720-1015	-.2	656	387	15	1	2/3
S720-1016	-	656	367	15	1	1/3
S720-1017	-	656	367	15	1	1/3
S720-2009	-.1	1500	407	18	1	2/3
S720-2010	-.1	1500	387	15	1	2/3
S720-3008	-	425	350	15	2	1/3
S720-9005	-	666	437	2,5	2	1/3
S720-9302	-	666	603	2,5	1	1/3
STK-5121	-	541	127	15	3	2/3
WSD-9417	-	551	358	2,5	3	1/3
WSK3-5005	-.4	350	140	12	3	2/3
WSK3-5006	-.4	350	140	12	3	2/3

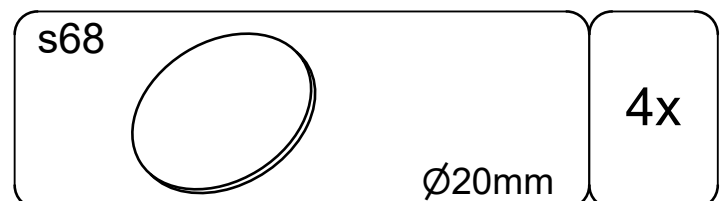
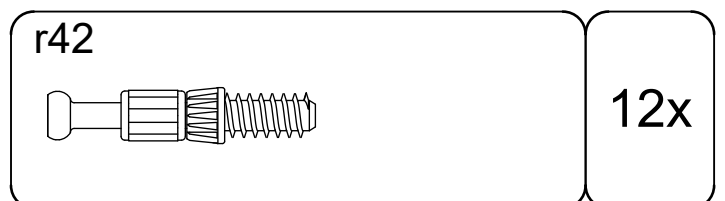
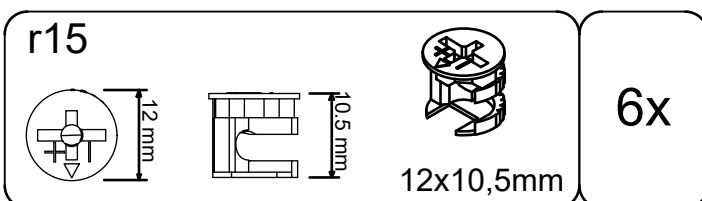
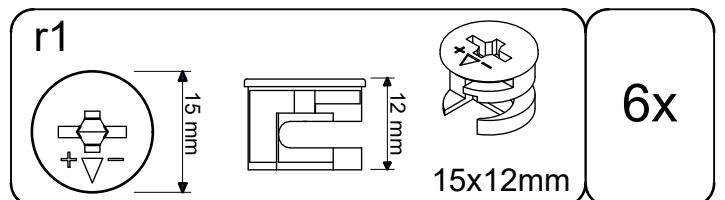
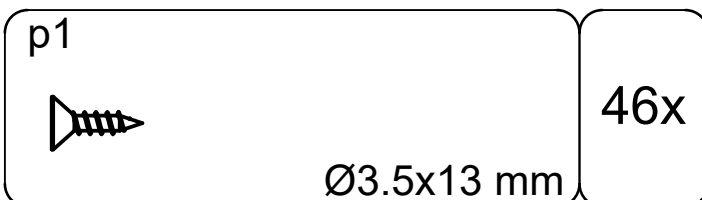
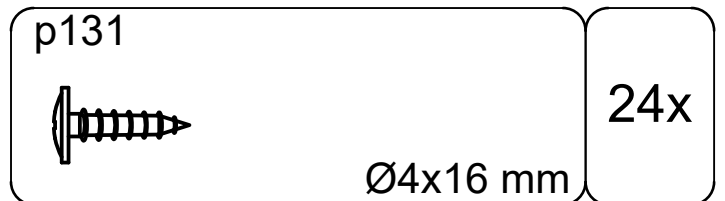
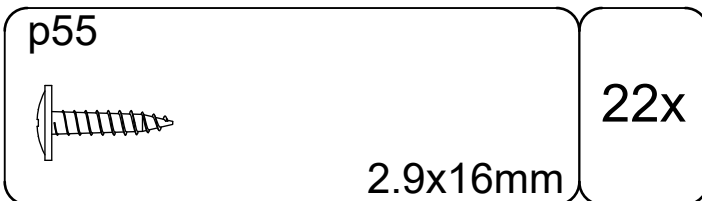
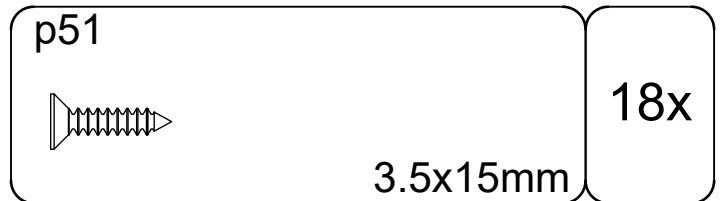
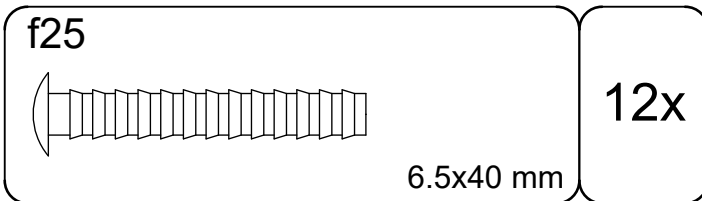
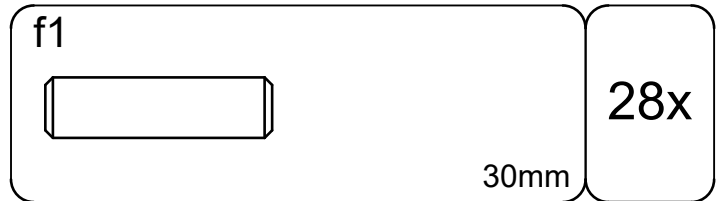
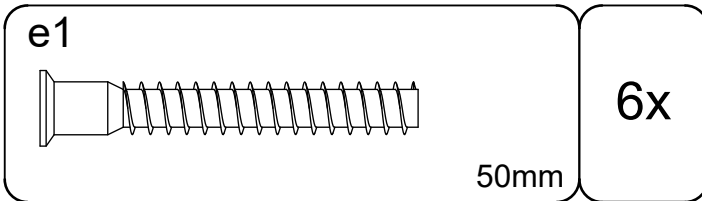




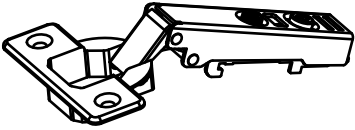
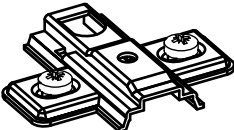
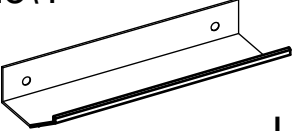
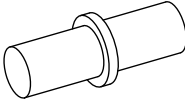
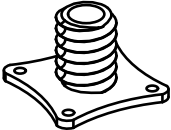
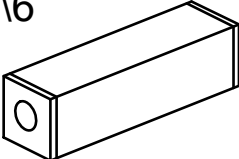
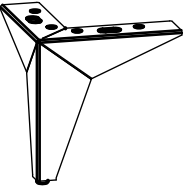
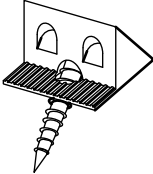
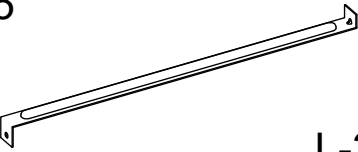
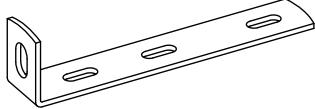
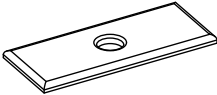
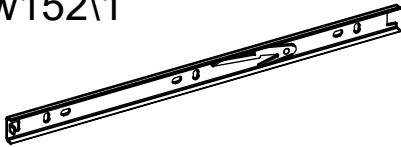
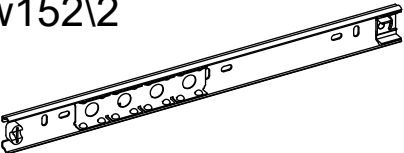
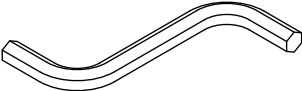
1:1

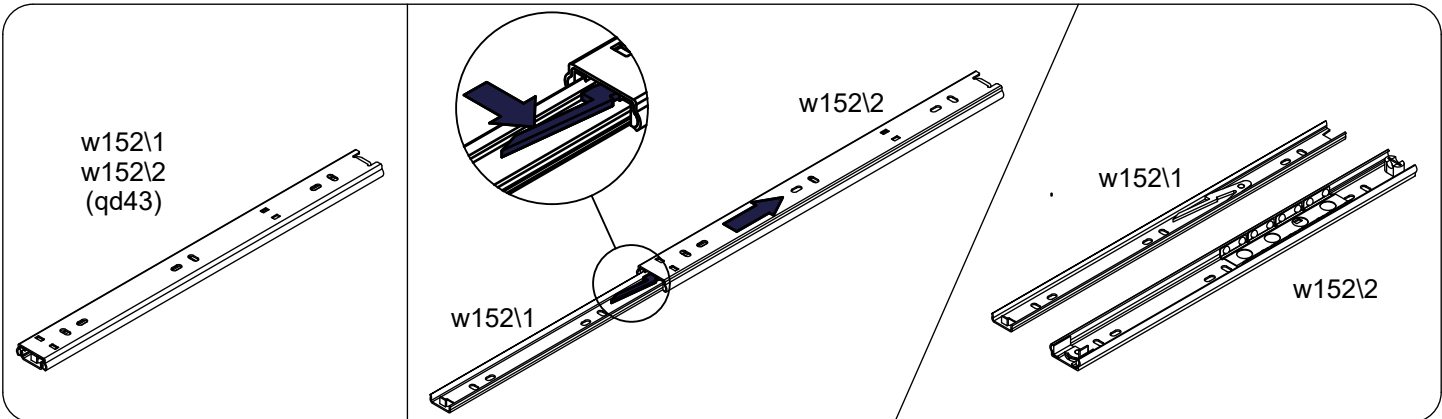


D
3/3

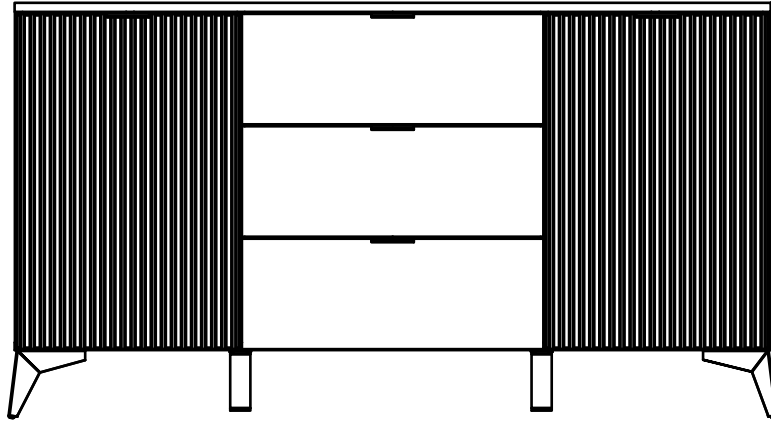


~~1:1~~

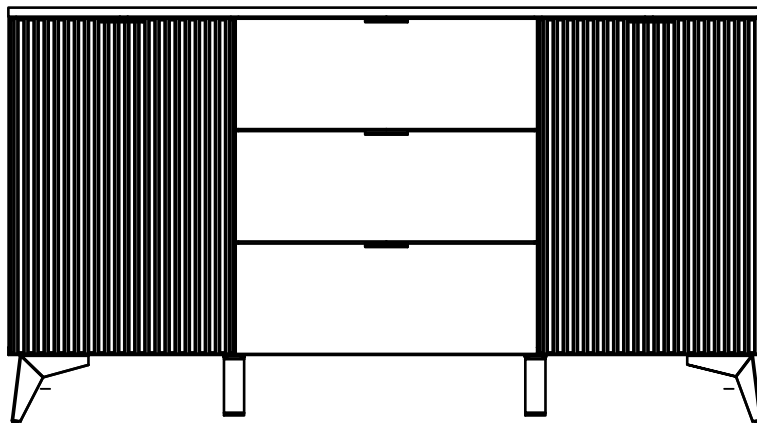
<p>a204</p> 	<p>4x</p>	<p>b90</p> 	<p>4x</p>
<p>c623\1</p>  <p>L84/64mm</p>	<p>5x</p>	<p>d1</p>  <p>fi5mm</p>	<p>8x</p>
<p>k148\1</p> 	<p>2x</p>	<p>k148\6</p> 	<p>2x</p>
<p>k158\2</p> 	<p>4x</p>	<p>l2</p> 	<p>12x</p>
<p>t35</p>  <p>L-350mm</p>	<p>3x</p>	<p>n14\2</p> 	<p>2x</p>
<p>n108</p> 	<p>10x</p>	<p>w152\1</p>  <p>L350</p>	<p>6x</p>
<p>w152\2</p>  <p>L350</p>	<p>6x</p>	<p>z1</p>  <p>4mm</p>	<p>1x</p>




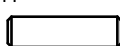

A

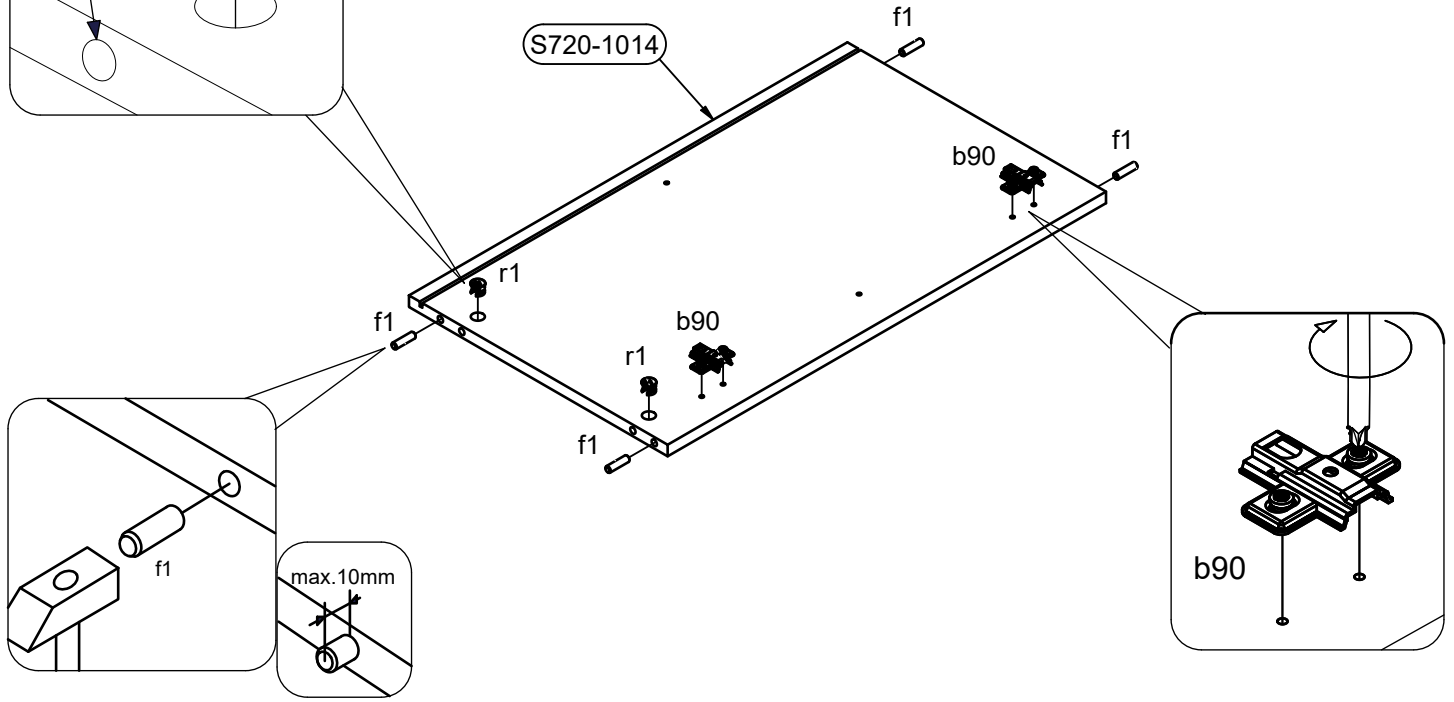
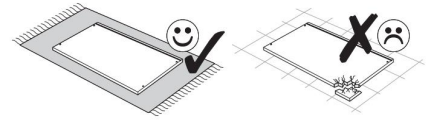
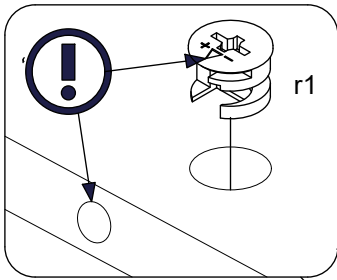


B


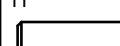




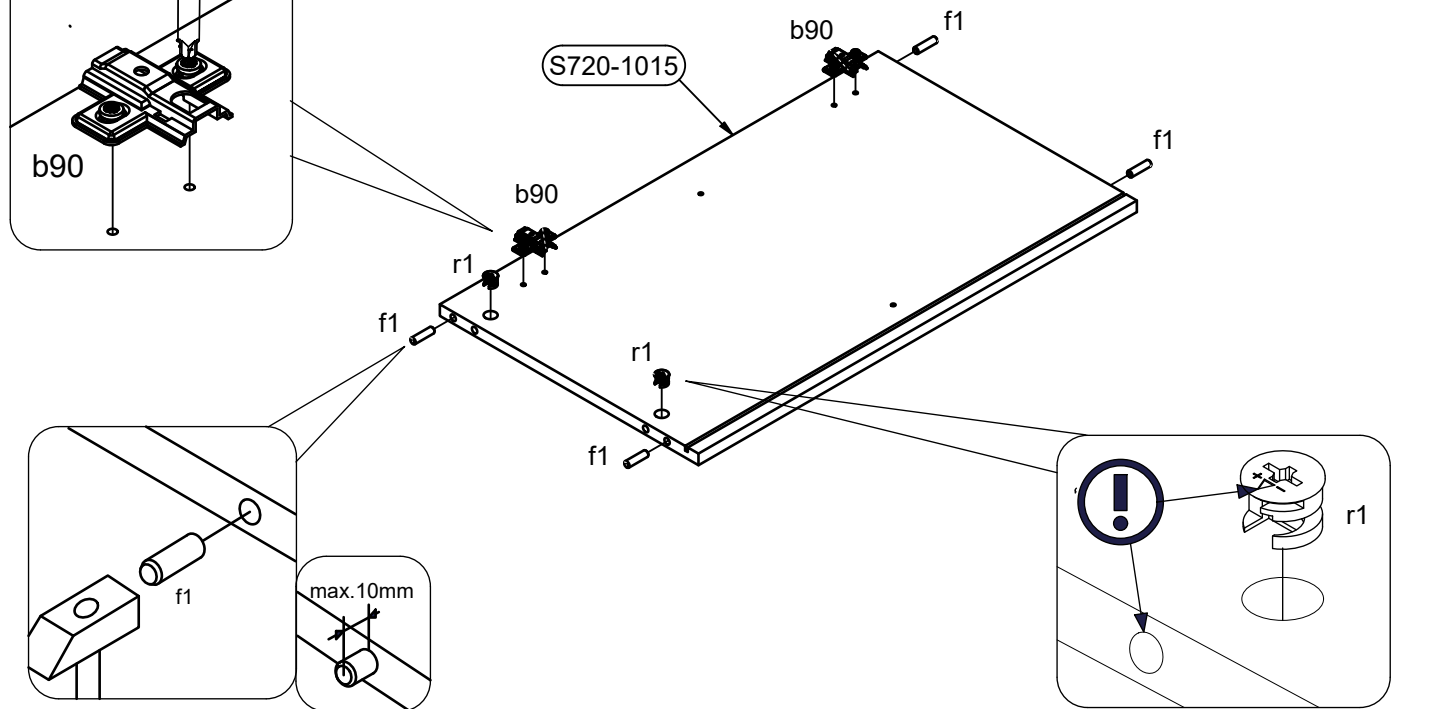
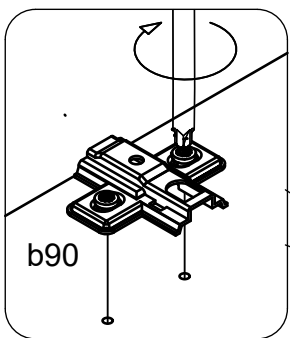
1 

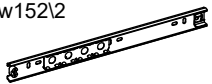
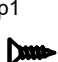
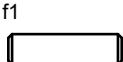
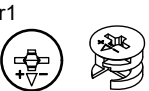
 b90	2x	 f1	4x	 r1	 15x12mm	2x
--	----	---	----	---	--	----



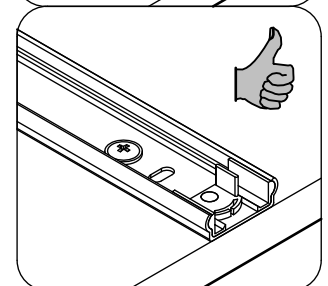
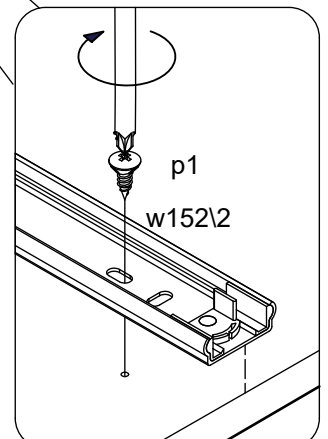
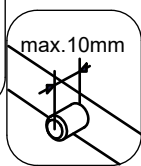
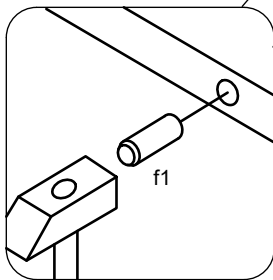
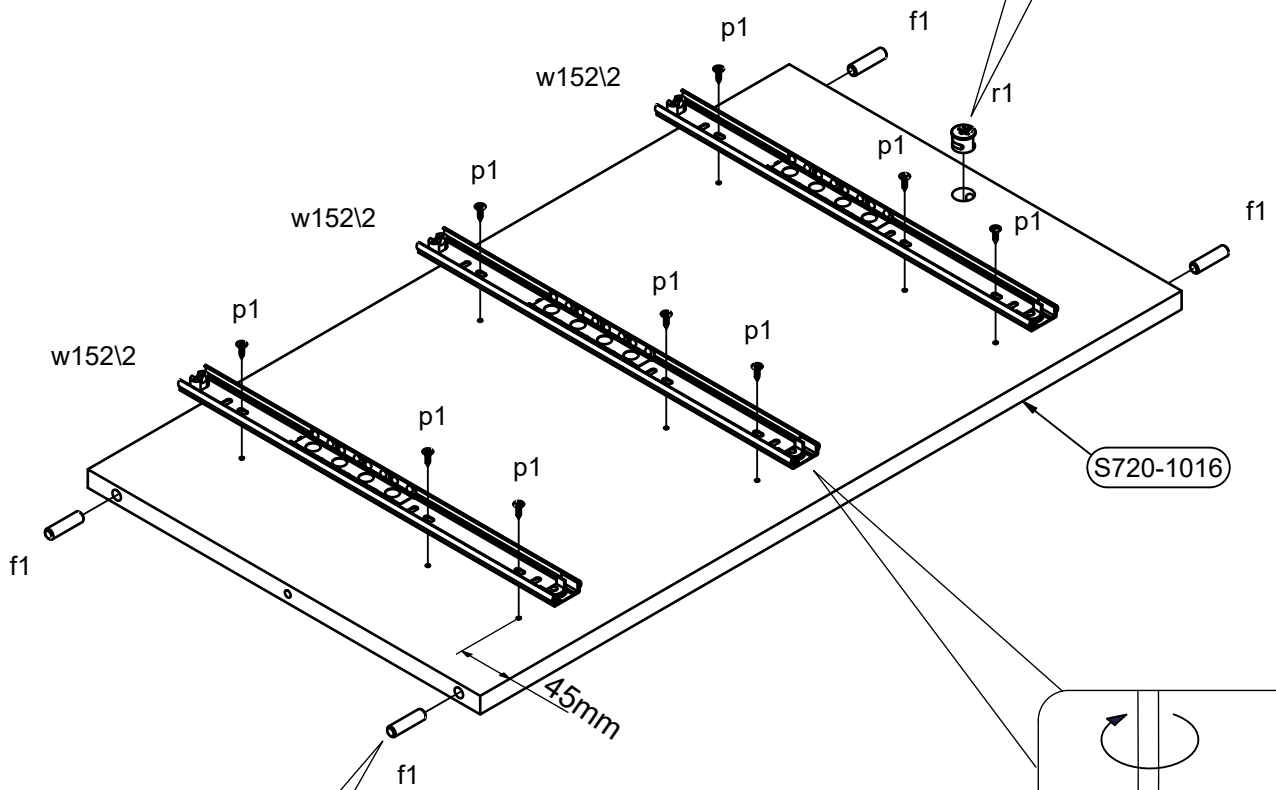
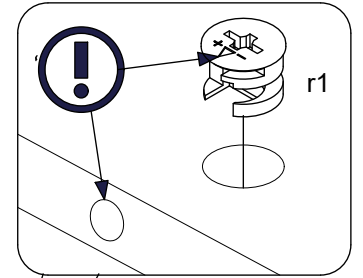
2 

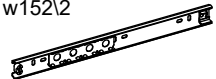
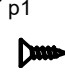
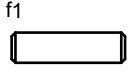

 b90	2x	 f1	4x	 r1	 15x12mm	2x
--	----	---	----	---	--	----



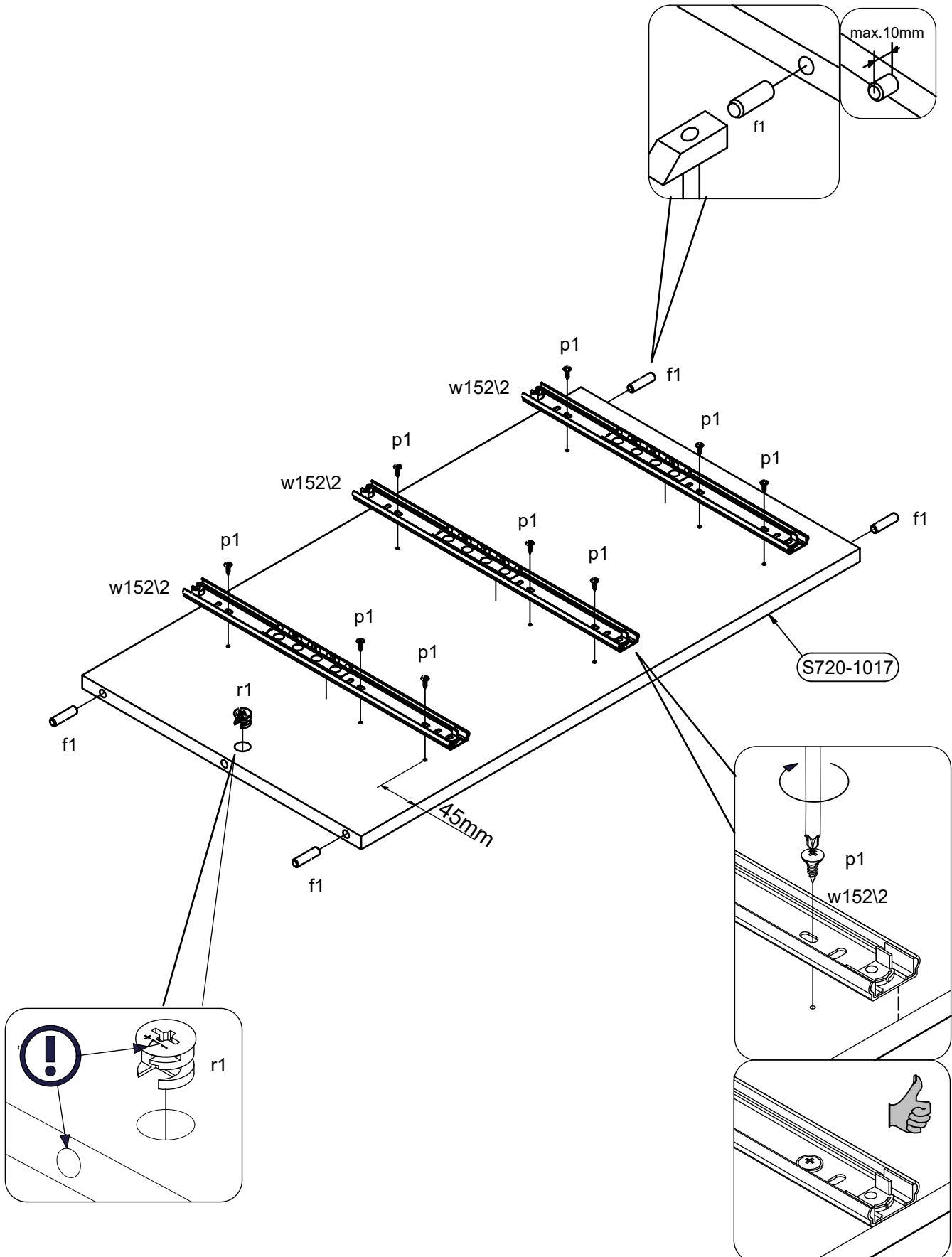
 <p>w152\2 L350</p>	<p>3x</p>	 <p>p1 Ø3.5x13 mm</p>	<p>9x</p>	 <p>f1 30mm</p>	<p>4x</p>	 <p>r1 15x12mm</p>	<p>1x</p>
---	-----------	--	-----------	--	-----------	---	-----------

3

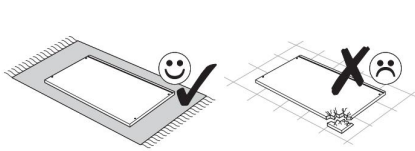


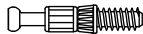
 <p>w152\2 L350</p>	<p>3x</p>	 <p>p1 Ø3.5x13 mm</p>	<p>9x</p>	 <p>f1 30mm</p>	<p>4x</p>	 <p>r1 15x12mm</p>	<p>1x</p>
---	-----------	--	-----------	--	-----------	---	-----------

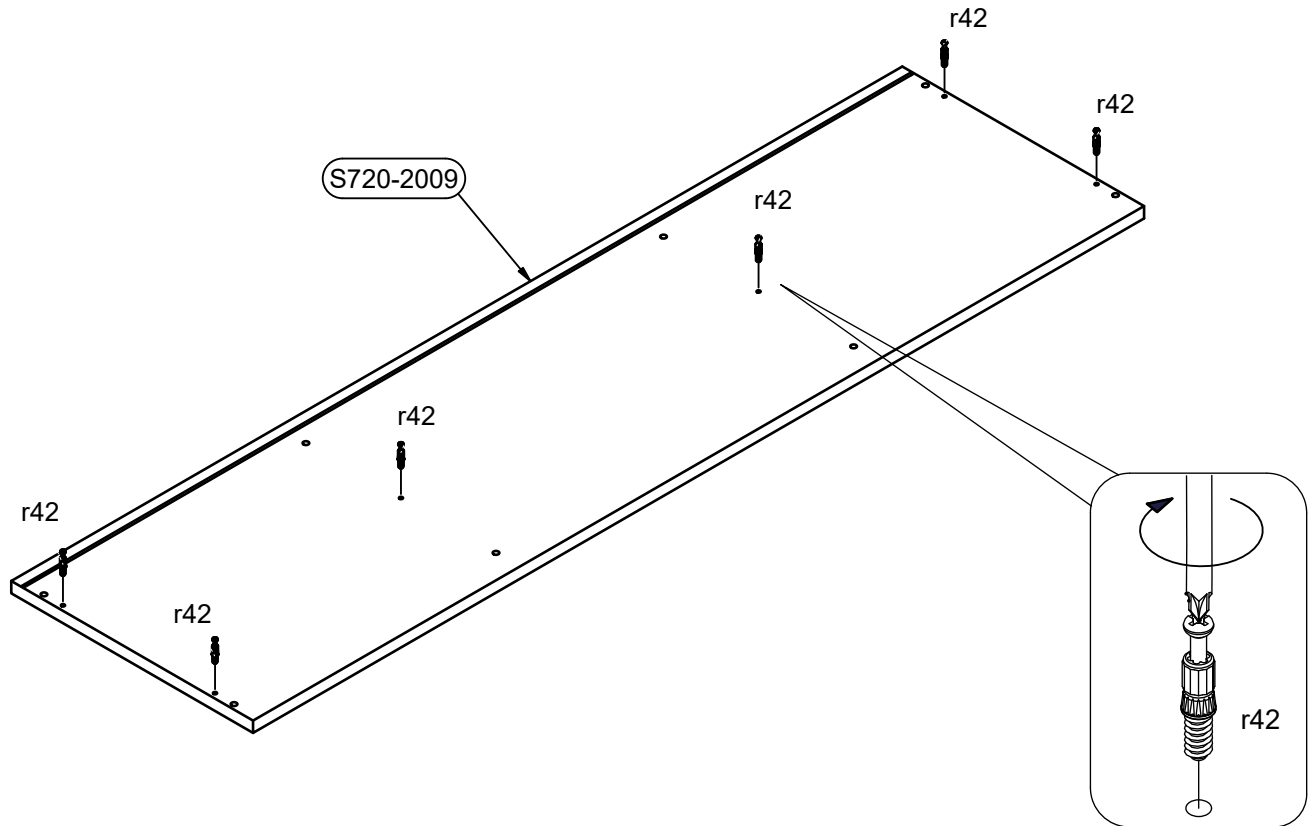
4 



5





 <p>r42</p>	<p>6x</p>
--	-----------

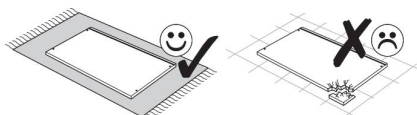
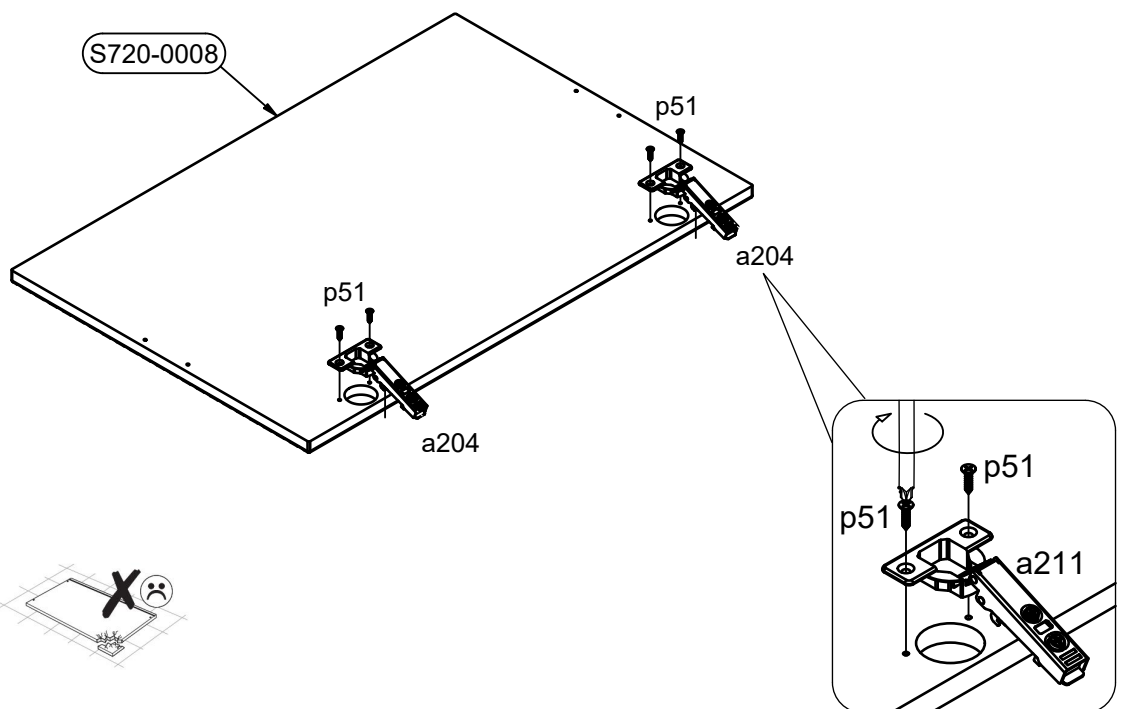


6

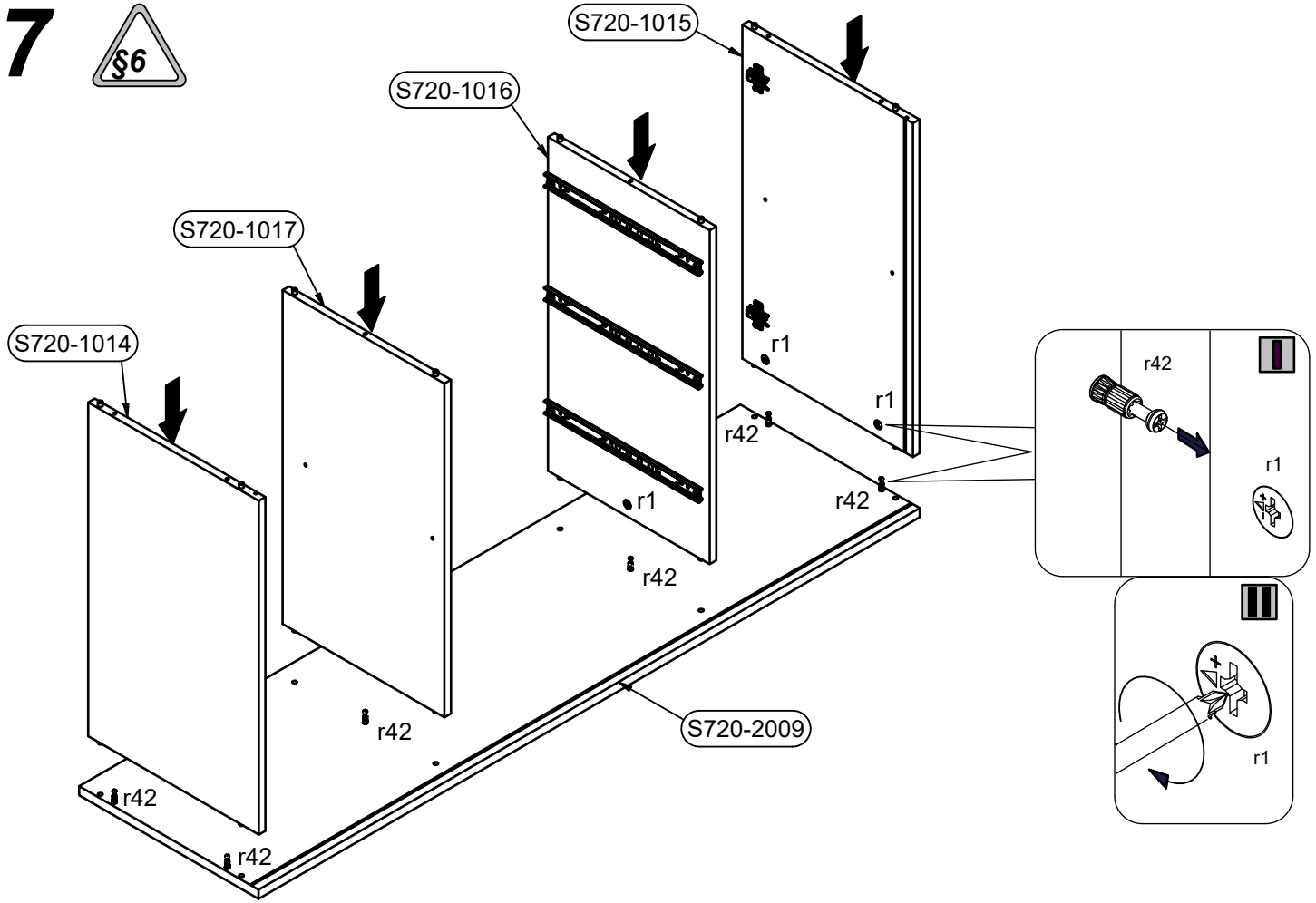


 <p>a204</p>	<p>4x</p>	 <p>p51</p> <p>Ø3.5x15 mm</p>	<p>8x</p>
---	-----------	--	-----------

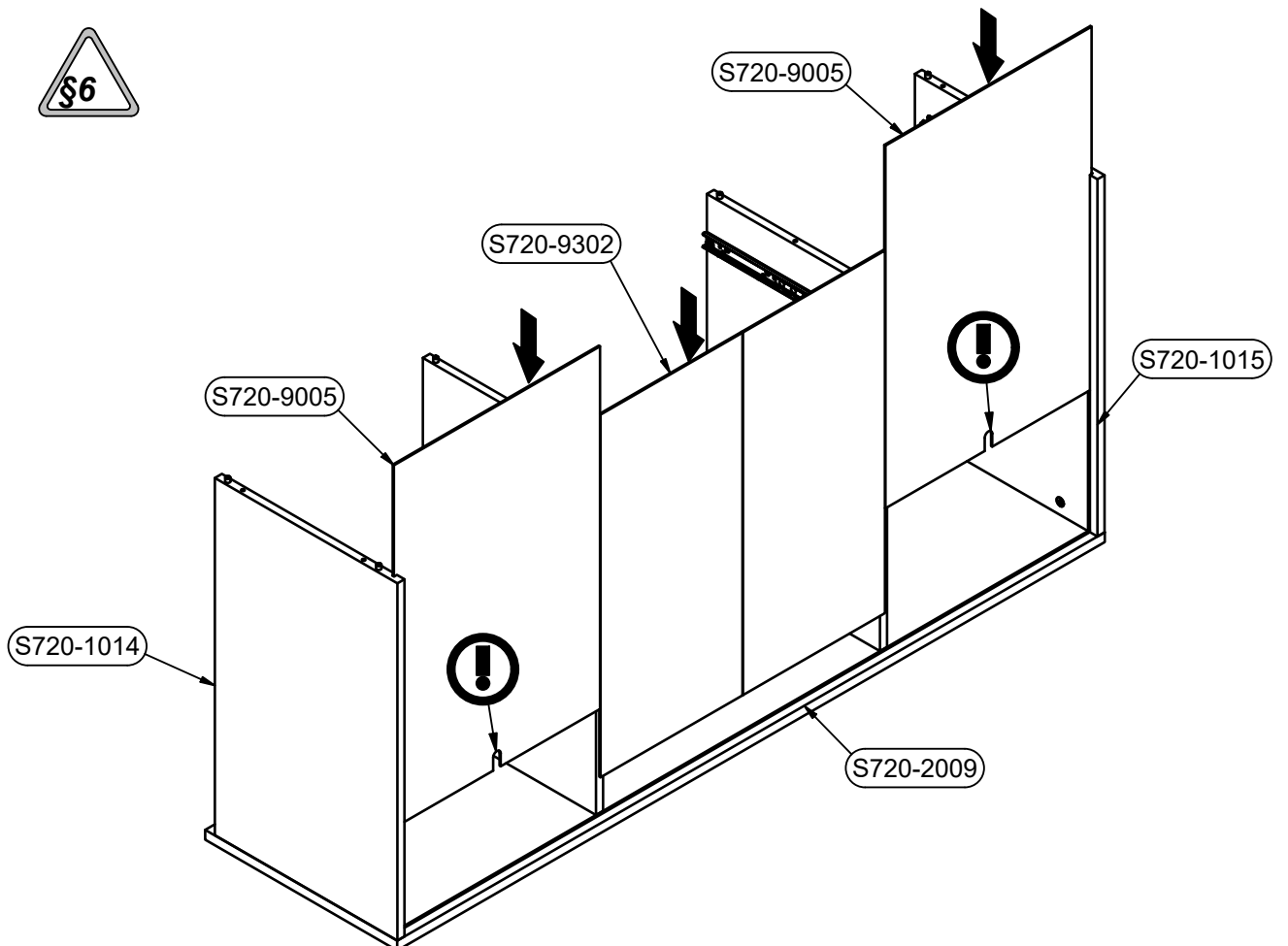
2x



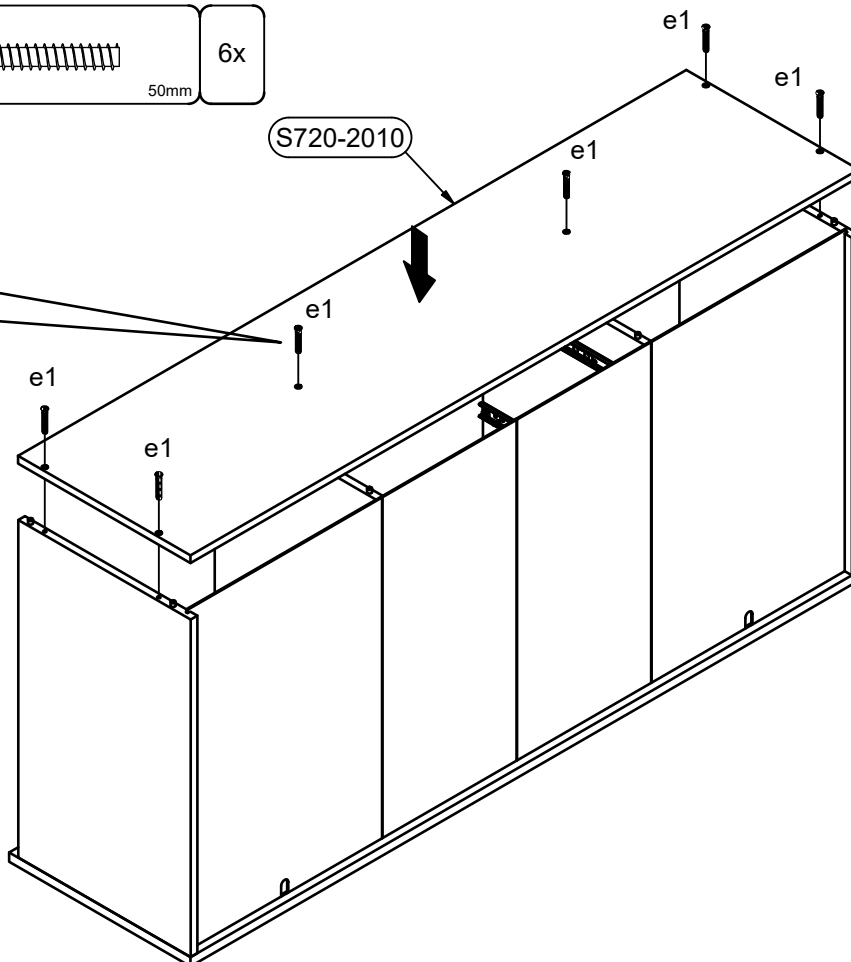
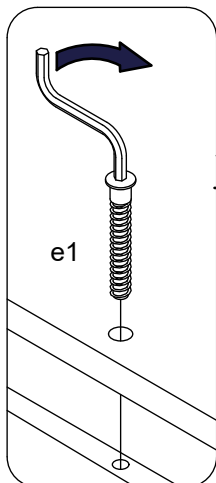
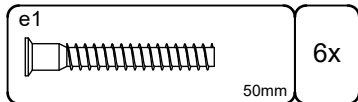
7



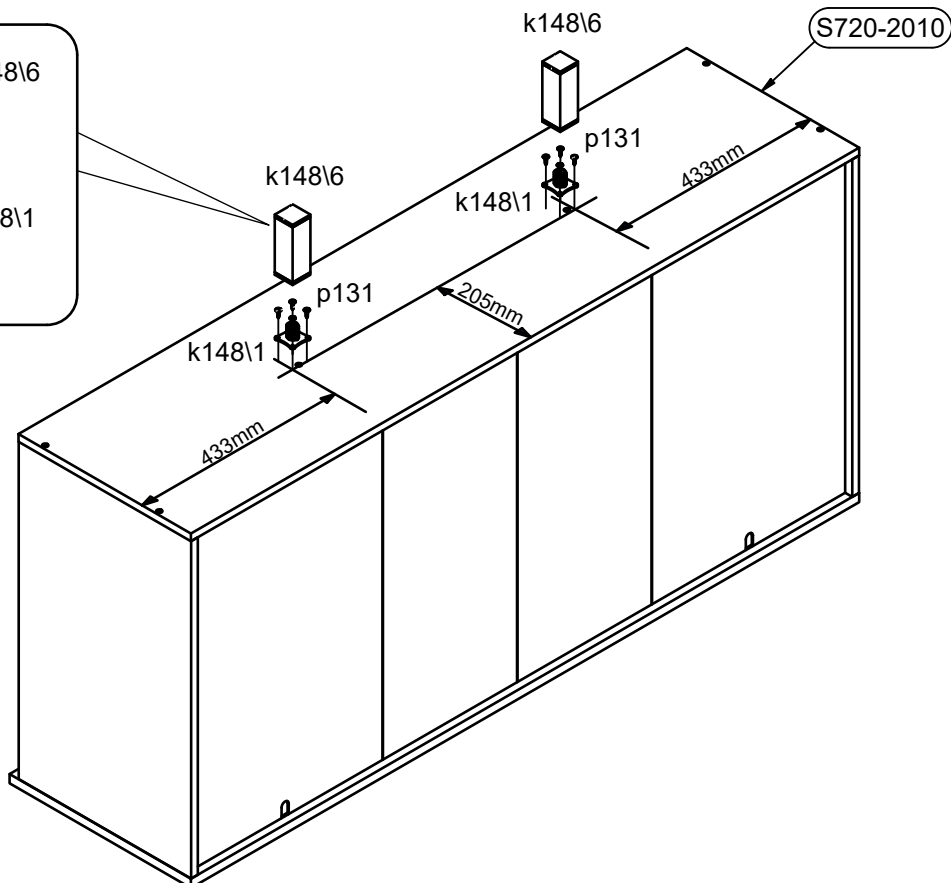
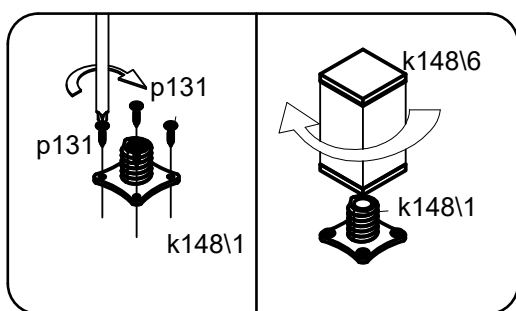
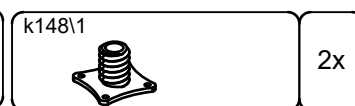
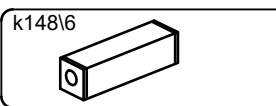
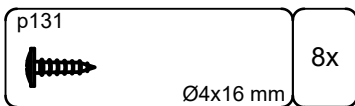
8



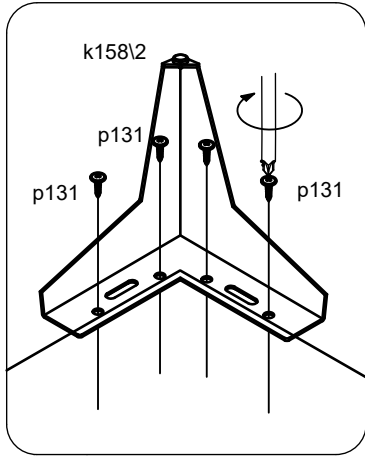
9



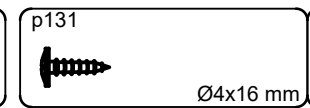
10



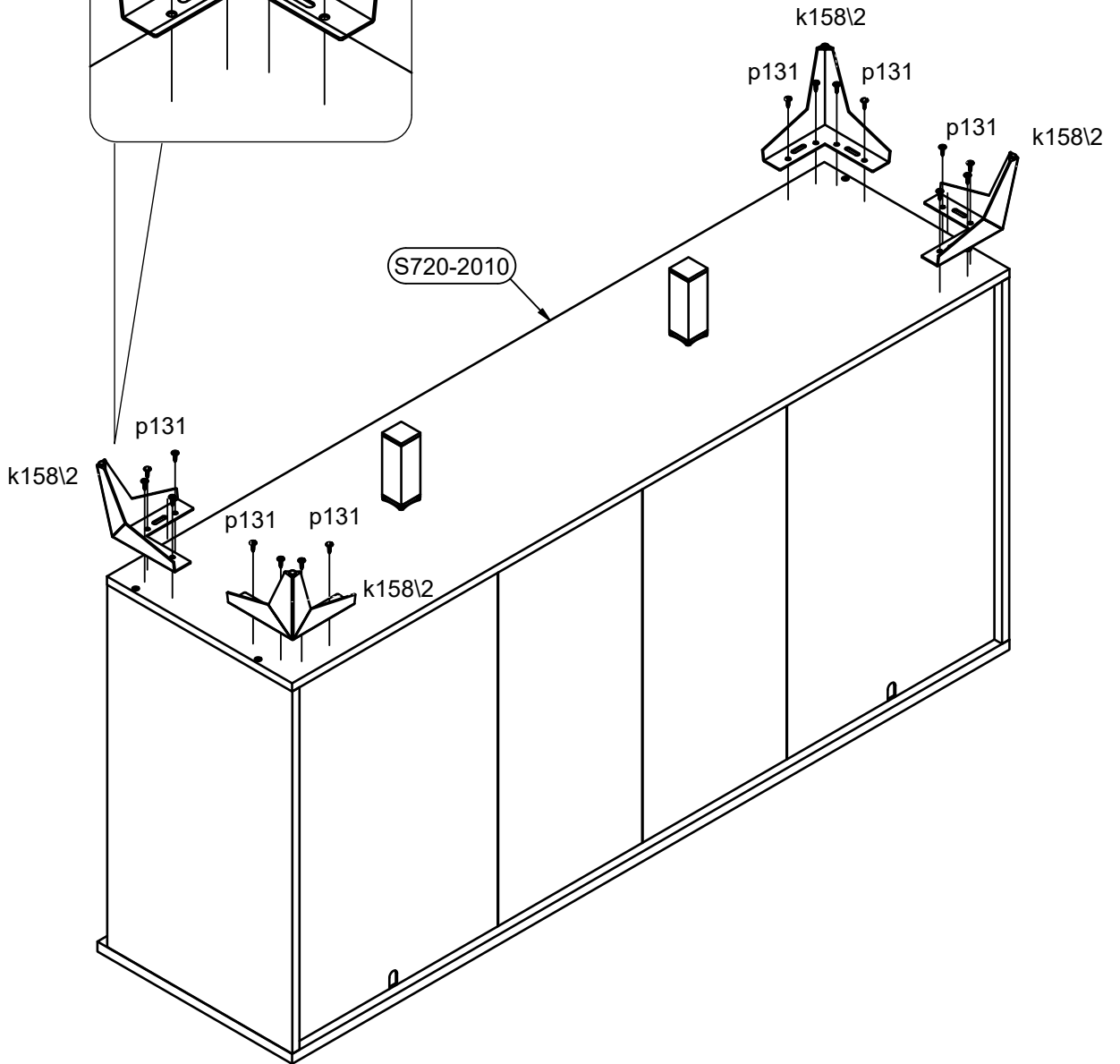
11



4x

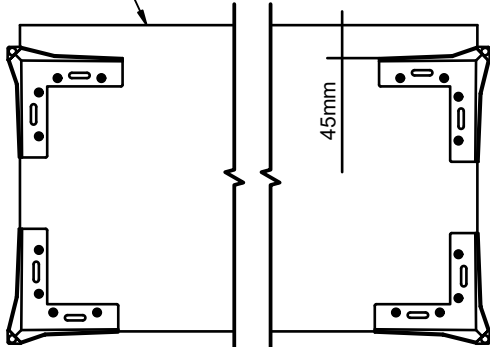


16x
Ø4x16 mm

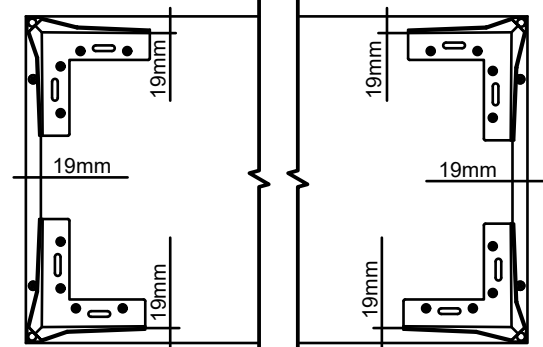


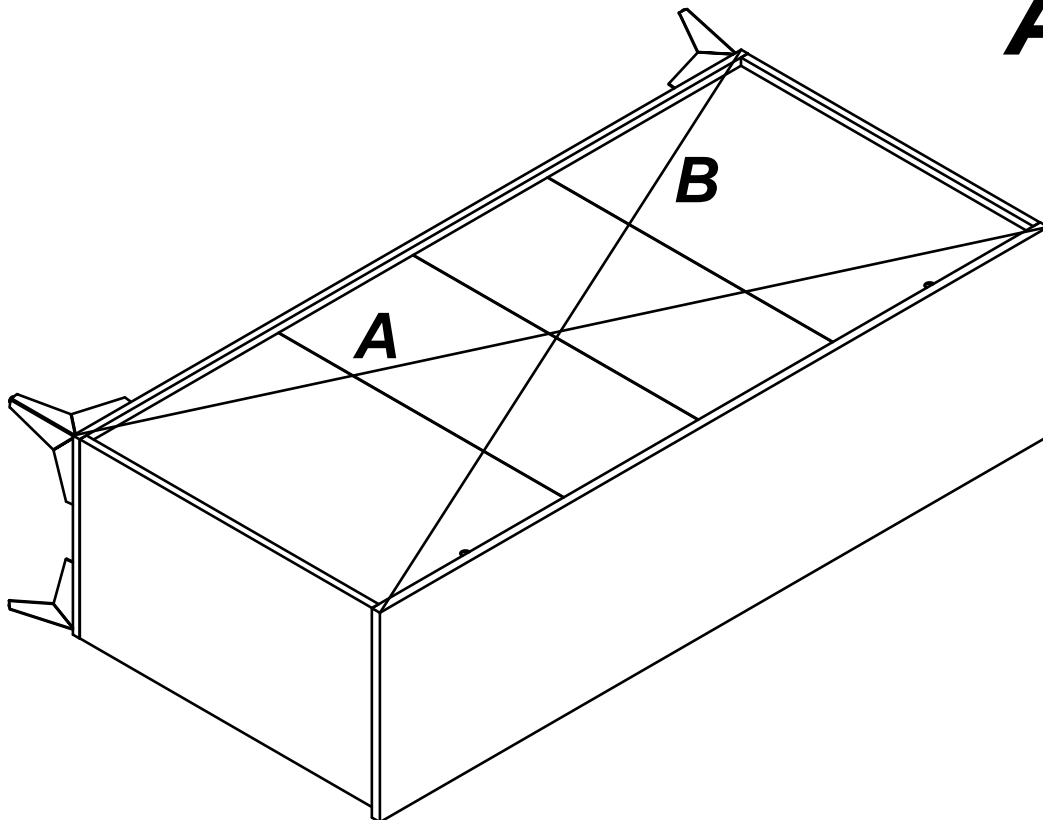
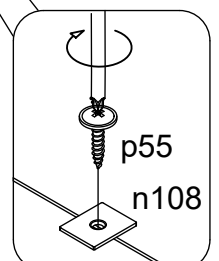
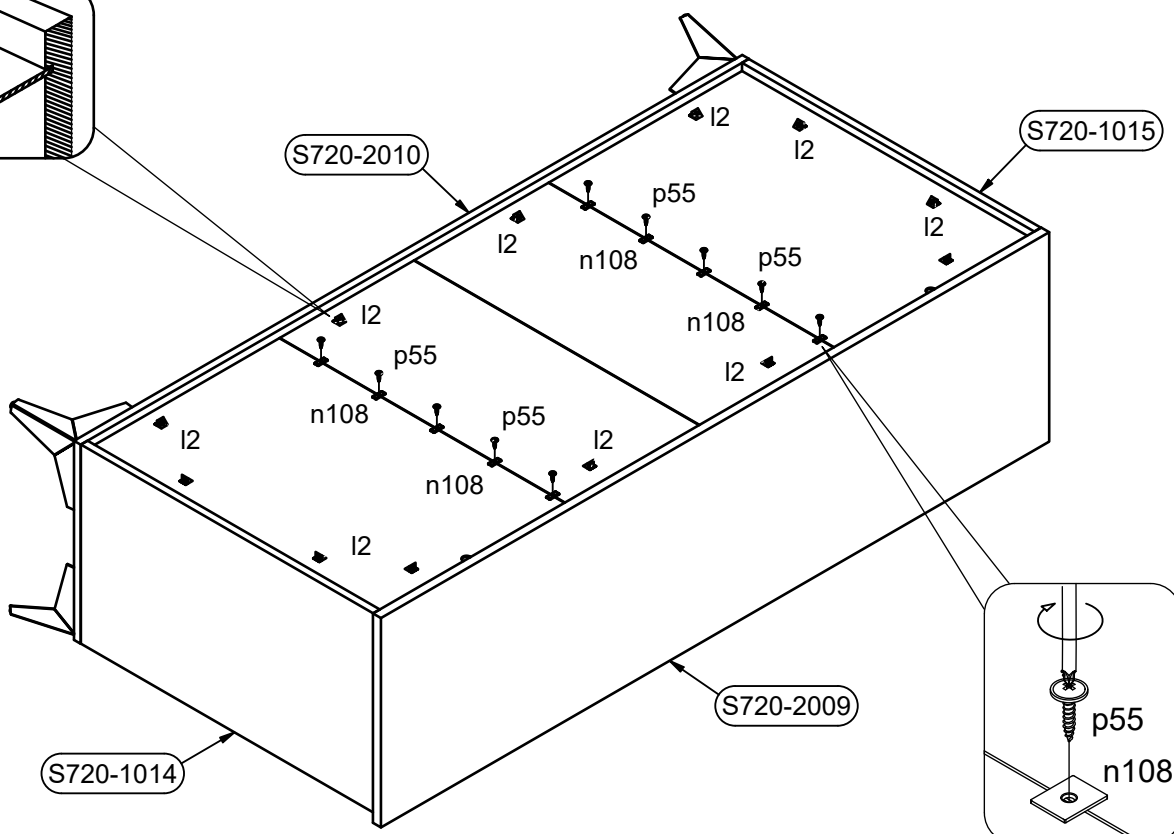
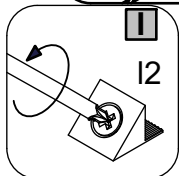
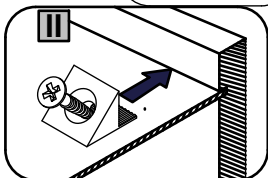
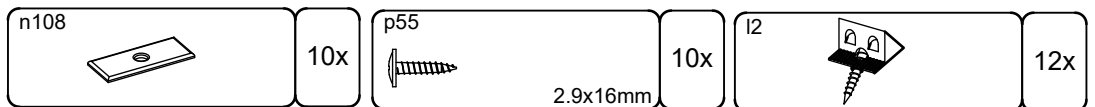
BACK

A



B

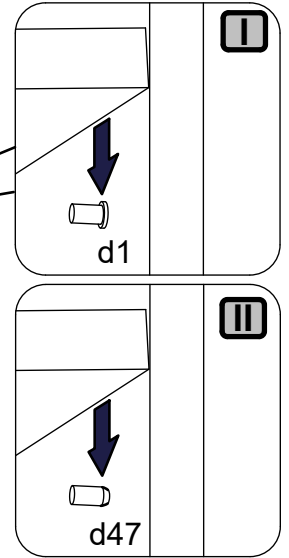
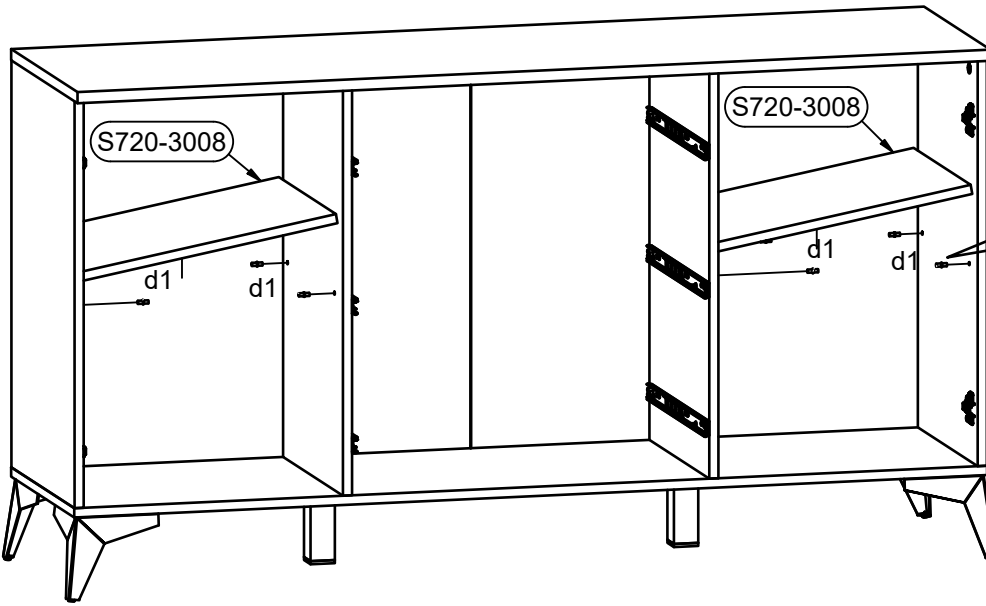


12**A=B**
!**13**

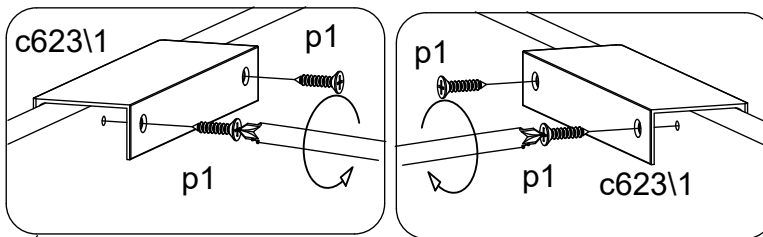
14



d1		8x
	fi5mm	

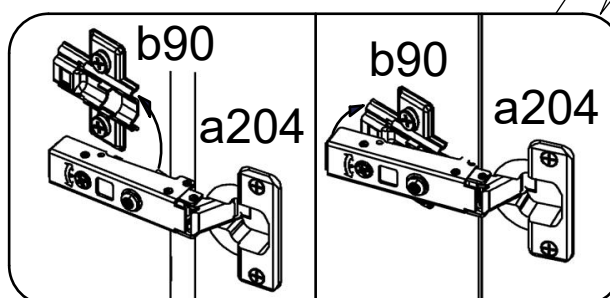
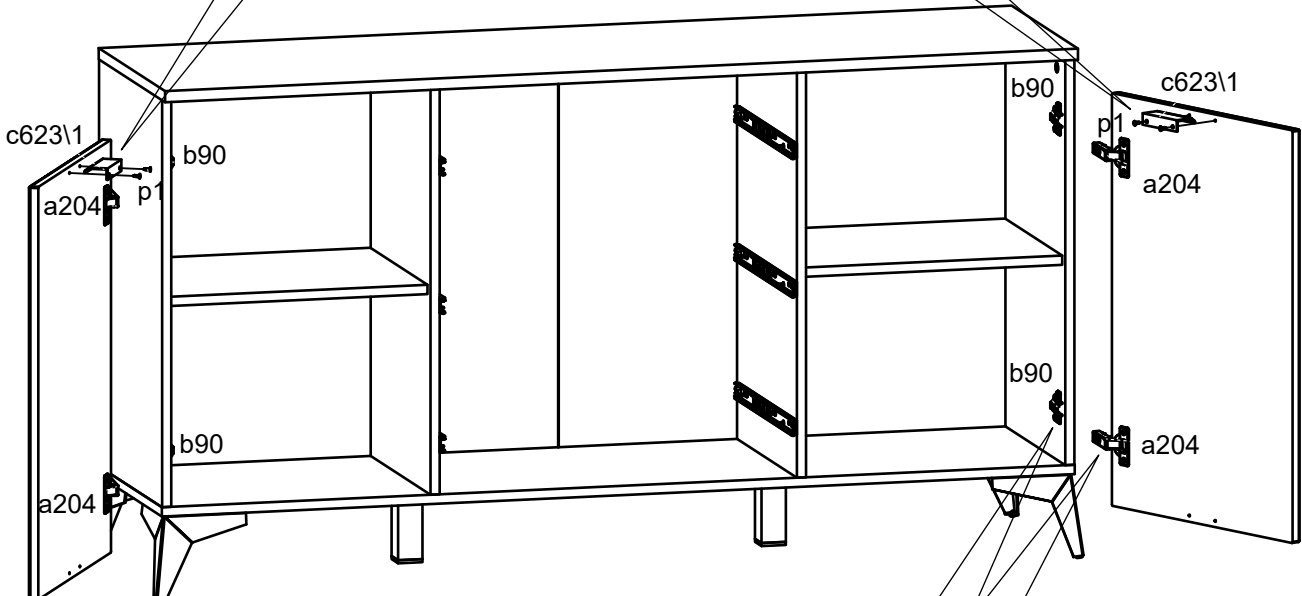


15

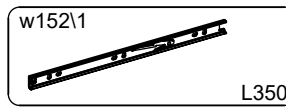


c623\1		2x
	L84/64mm	

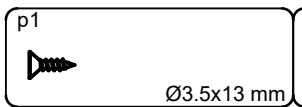
p1		4x
	Ø3.5x13 mm	



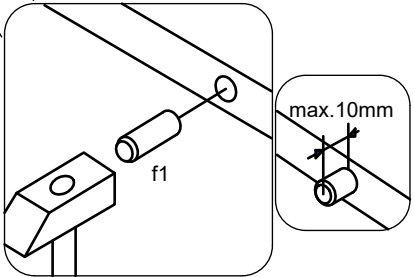
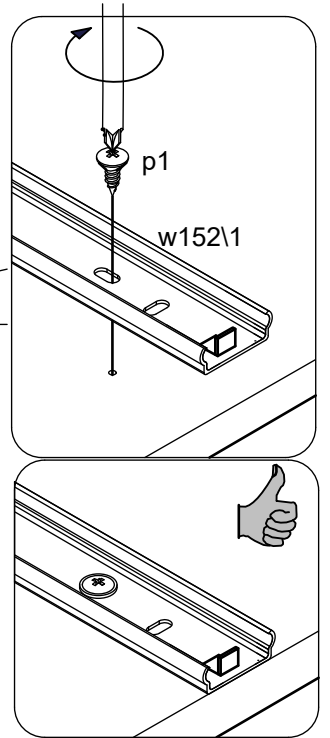
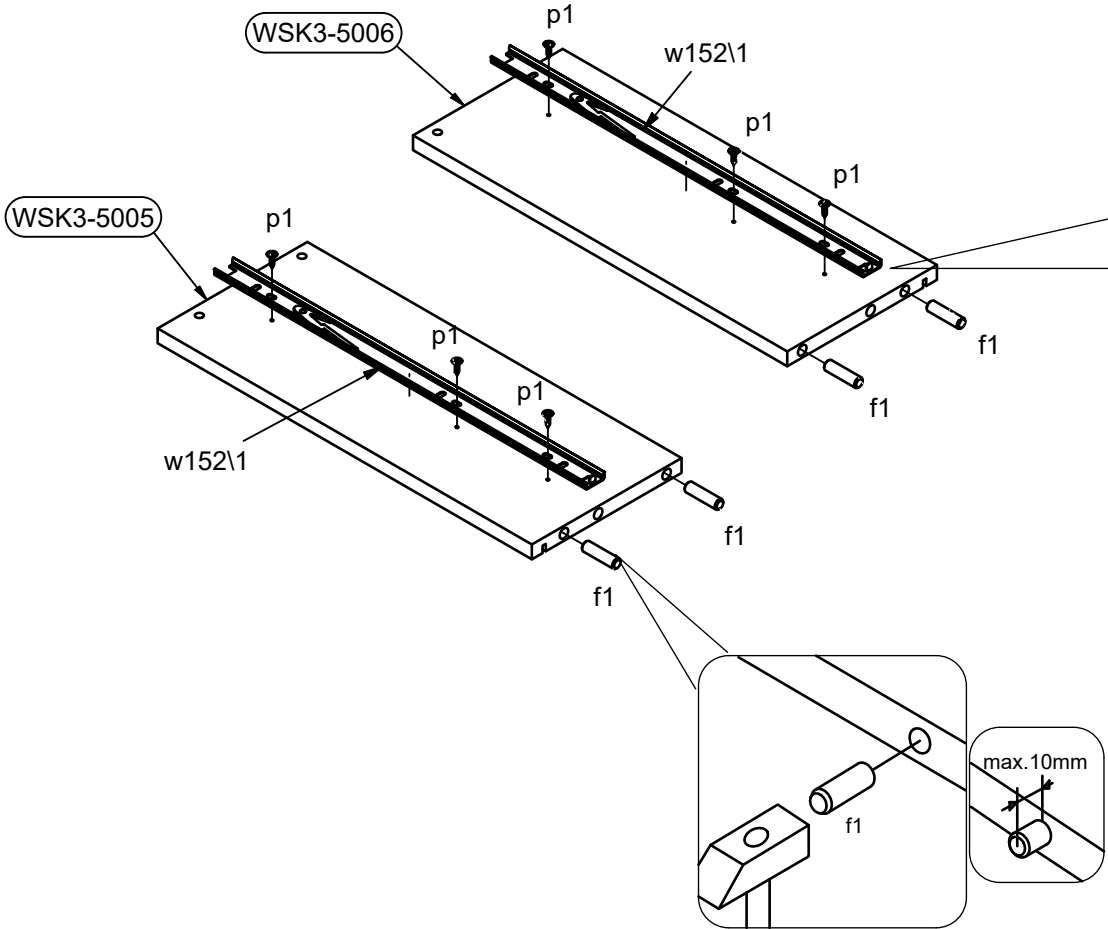
16
3x



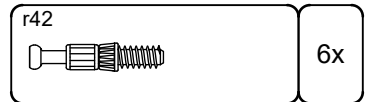
6x



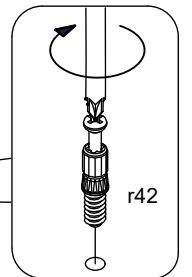
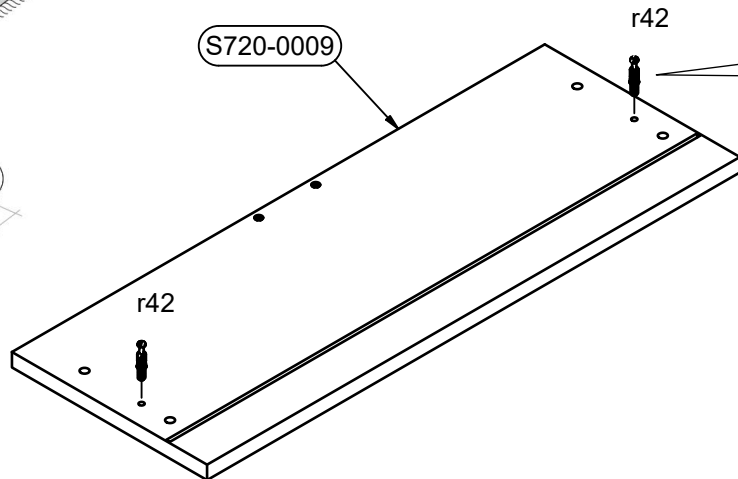
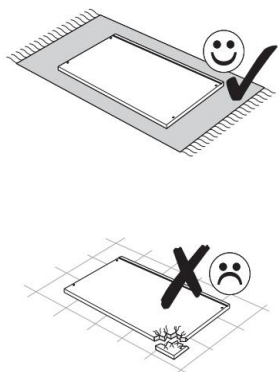
6x



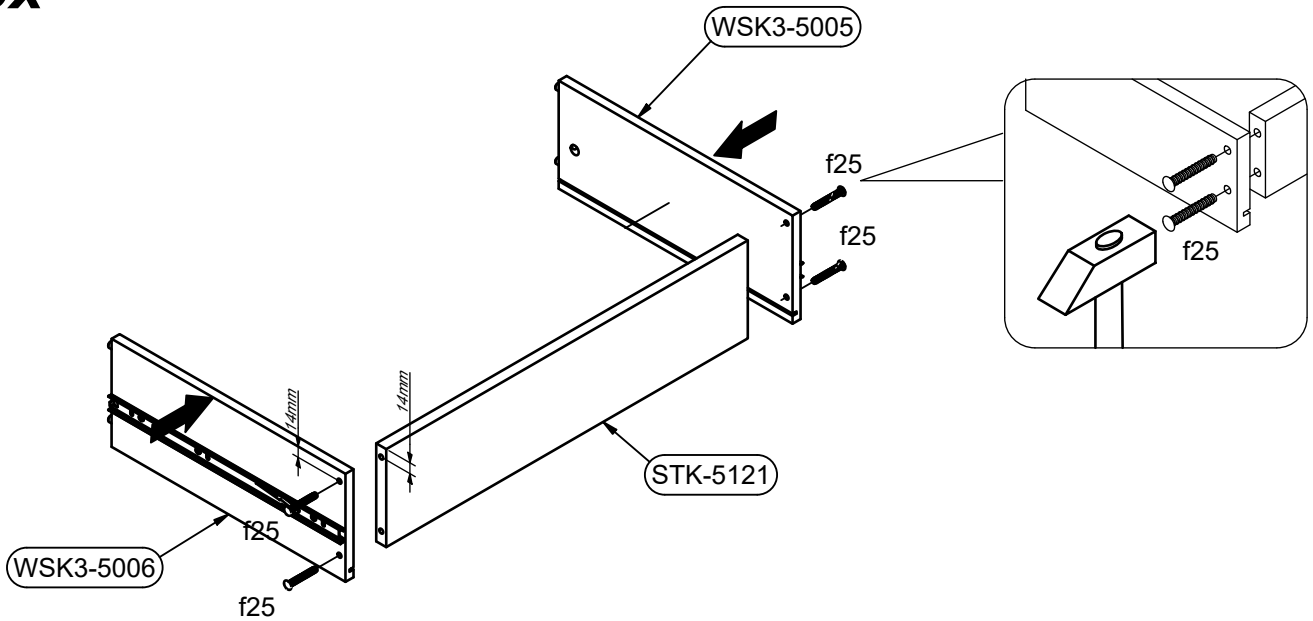
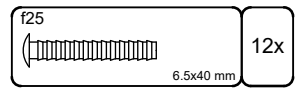
17
3x



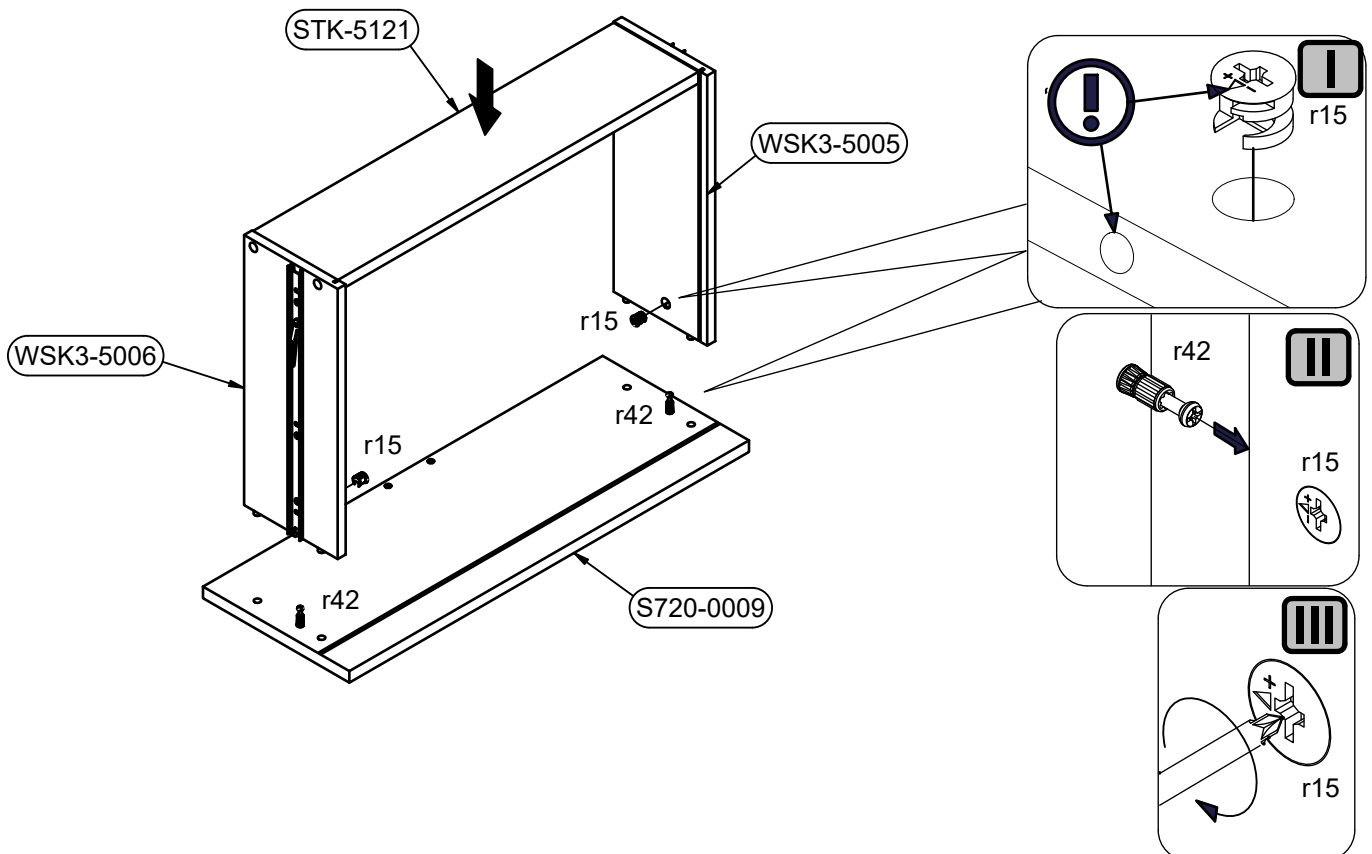
6x



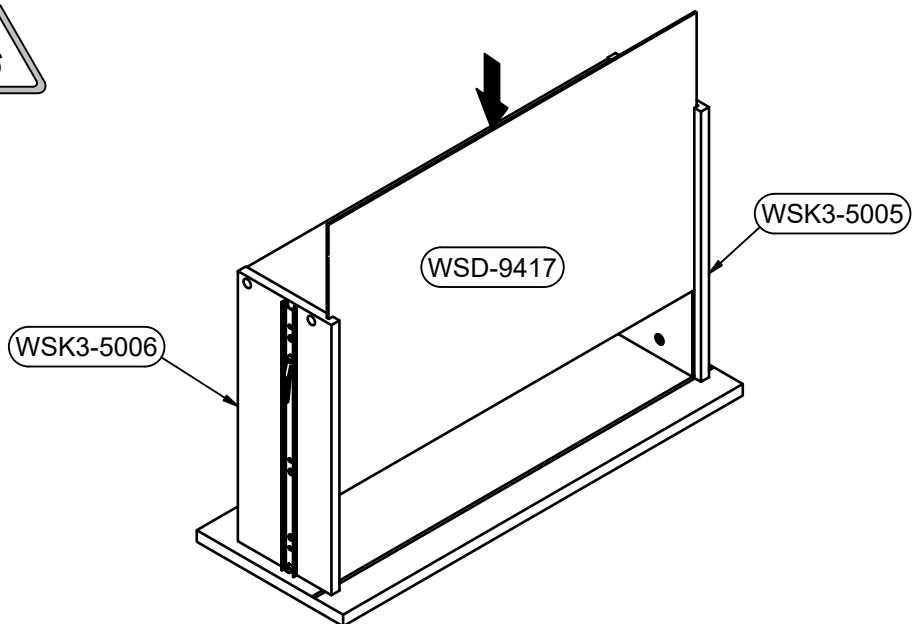
18
3x



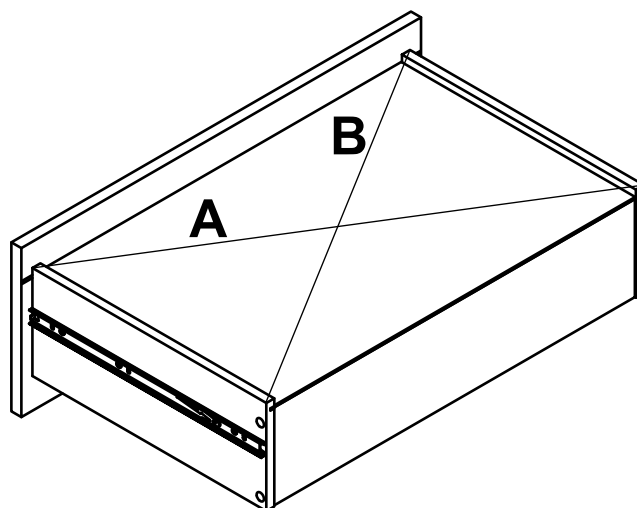
19
3x



20
3x




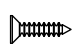
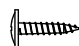
21
3x

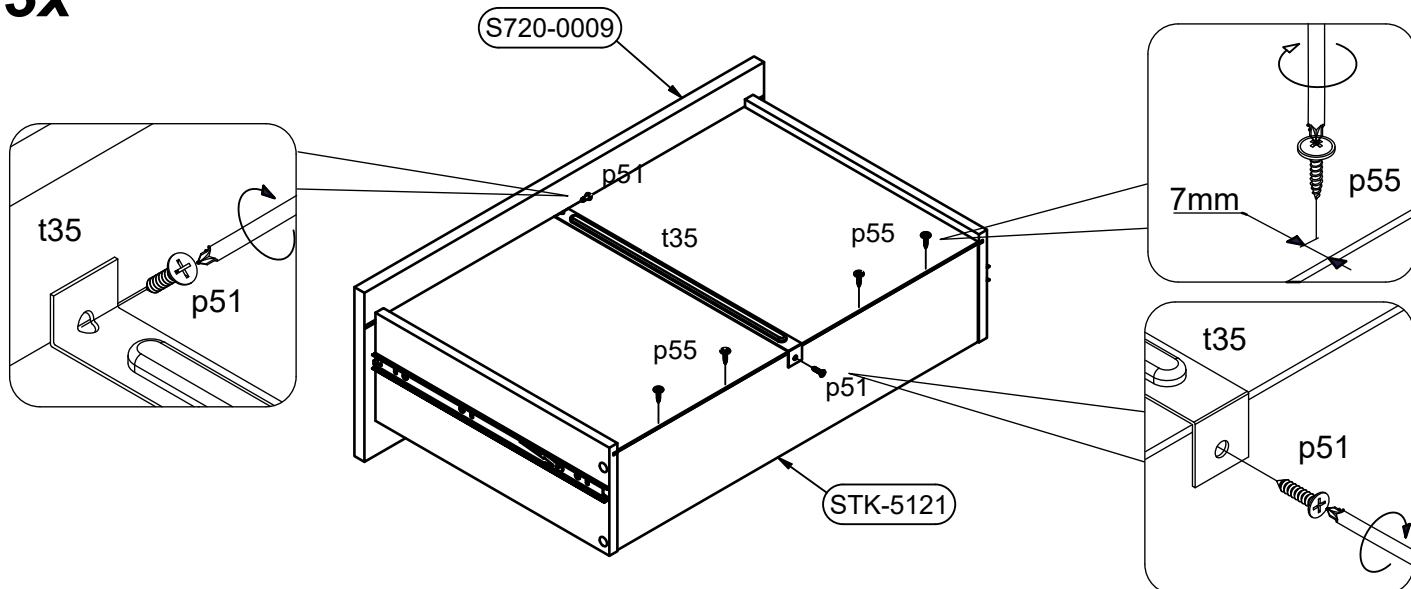


A=B

22
3x



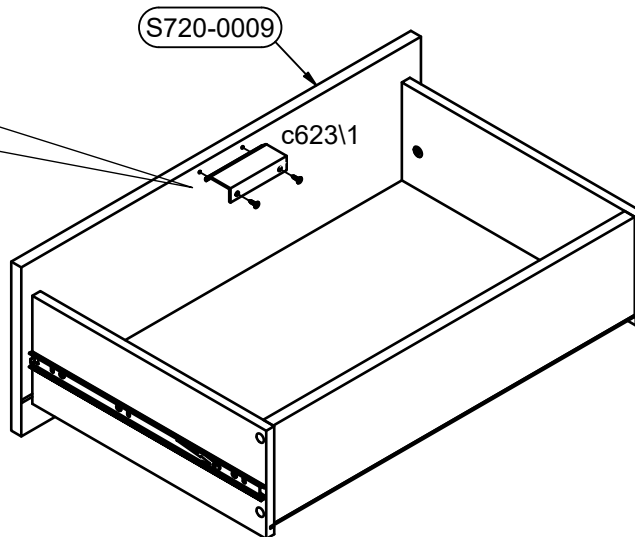
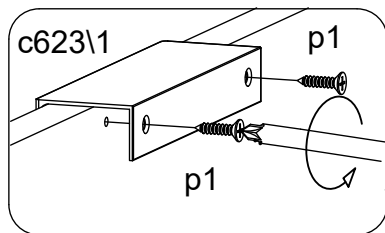
t35  L-350mm	3x	p51  Ø3.5x15 mm	6x	p55  2.8x16mm	12x
---	----	--	----	--	-----



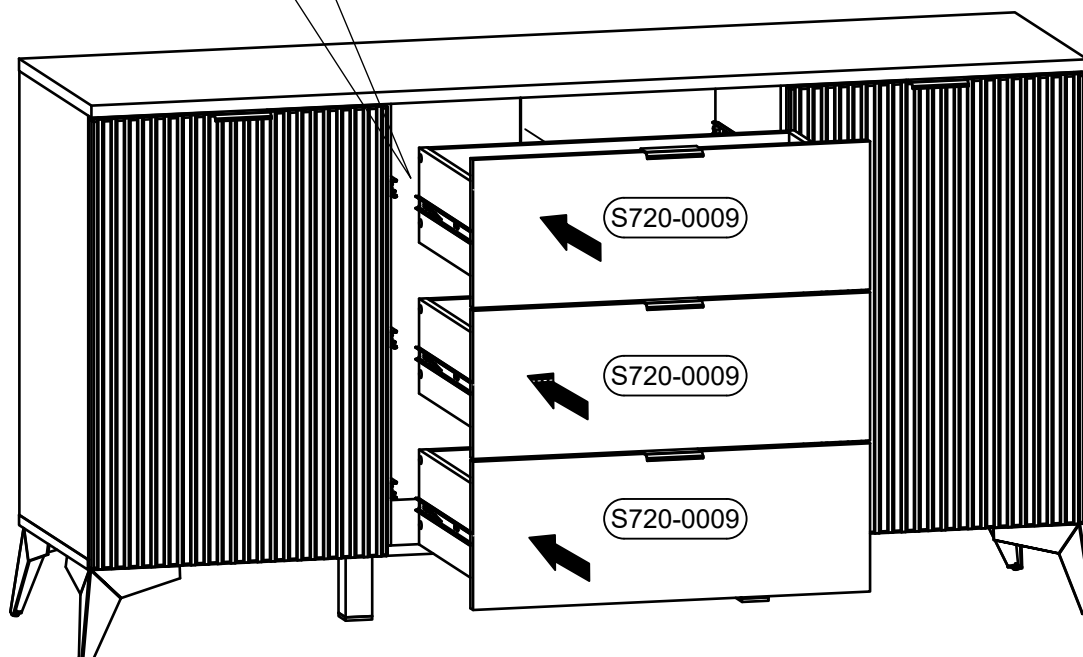
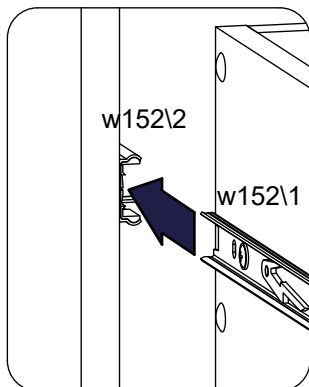
23
3x



p1  Ø3.5x13 mm	6x	c623\1  L84/64mm	3x
---	----	---	----



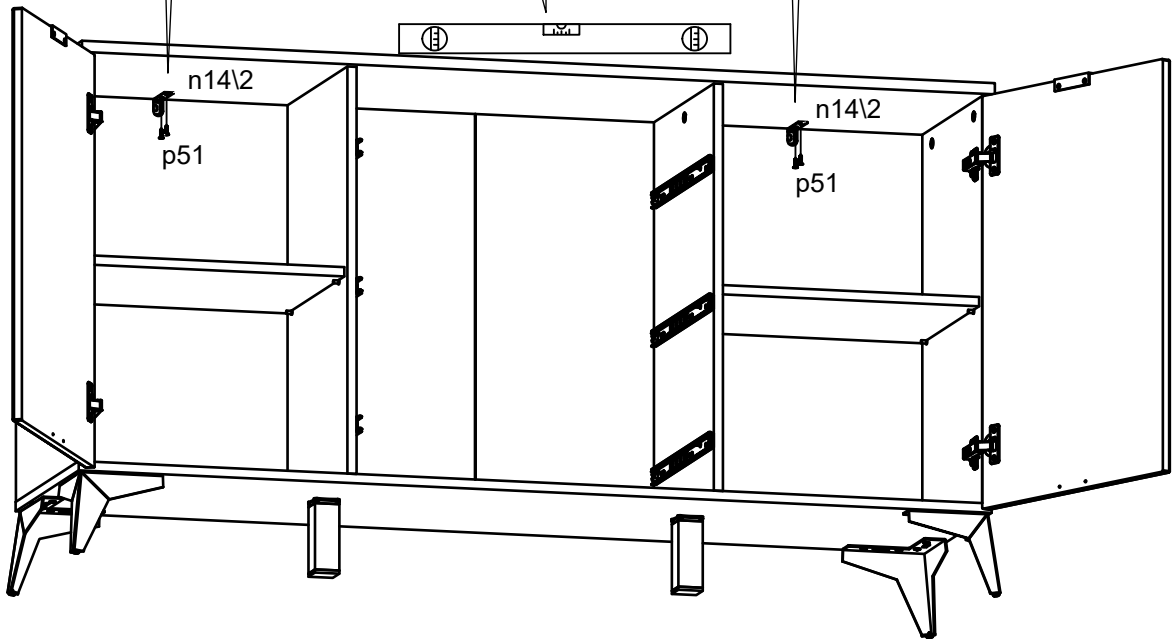
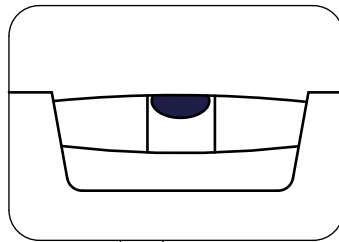
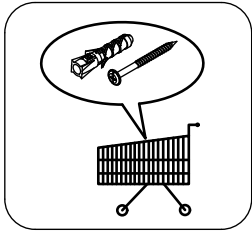
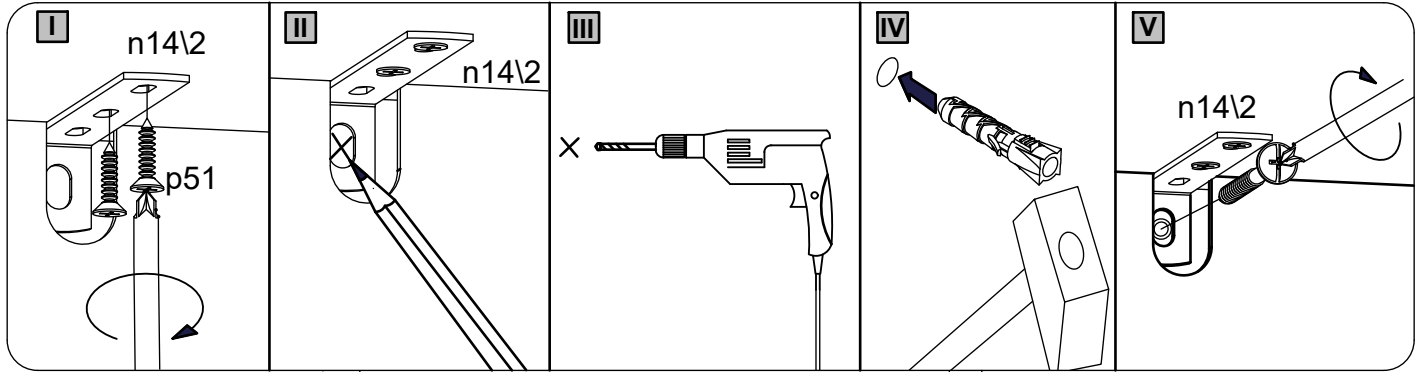
24



25



n14\2	2x	p51	4x
			3.5x15mm



26

